

US00D841407S

(12) **United States Design Patent** (10) **Patent No.:** **US D841,407 S**  
**Hsiao et al.** (45) **Date of Patent:** **\*\* Feb. 26, 2019**

(54) **BOTTLE HOLDER**

(56) **References Cited**

(71) Applicant: **Wistron Corporation**, New Taipei (TW)

U.S. PATENT DOCUMENTS

(72) Inventors: **Wen-Hsin Hsiao**, New Taipei (TW);  
**Hao-Chen Weng**, New Taipei (TW);  
**Shiuan-De Chen**, New Taipei (TW);  
**Wei-Kuo Lee**, New Taipei (TW);  
**Chien Huang**, New Taipei (TW);  
**Yen-Kai Chiu**, New Taipei (TW)

D253,732 S \* 12/1979 Van Koert ..... D26/11  
D309,073 S \* 7/1990 Robinson ..... D7/608  
D328,222 S \* 7/1992 Le Cour ..... D7/608  
D378,795 S \* 4/1997 King ..... D7/608  
8,251,247 B1 \* 8/2012 Breckner ..... A47G 23/0266  
220/592.16  
D784,090 S \* 4/2017 Mellentine ..... D7/607

(73) Assignee: **Wistron Corporation**, New Taipei (TW)

OTHER PUBLICATIONS

(\*\*) Term: **15 Years**

H2OPal, H2OPal Smart Bottle Hydration Tracker, <https://www.amazon.com/H2OPal-Smart-Bottle-Hydration-Tracker/dp/B018YEAQCA?th=1>, 2015.

(21) Appl. No.: **29/609,667**

\* cited by examiner

(22) Filed: **Jul. 3, 2017**

*Primary Examiner* — Freda S Nunn

(30) **Foreign Application Priority Data**

(74) *Attorney, Agent, or Firm* — Winston Hsu

Jun. 19, 2017 (TW) ..... 106303404

(51) **LOC (11) Cl.** ..... **07-06**

(52) **U.S. Cl.**  
USPC ..... **D7/624.2; D7/608**

(58) **Field of Classification Search**  
USPC ..... D7/601, 605, 607, 608, 624.2, 213;  
D6/531-534; D3/304-314; D9/772;  
D26/9, 11, 20  
CPC .. F25D 3/08; B65D 25/30; B65D 7/24; B65D  
81/3876; B65D 81/3879; B65D 23/104;  
B65D 81/38; B65D 81/3886; B65D  
81/3883; B65D 81/3881; B65D 83/00;  
A45C 11/20; A47G 23/0216; A47G  
19/2288; A47G 23/0241; A47G  
2023/0291; A45F 2200/0583; A61F 7/10;  
B31D 5/0086; F21S 6/00; F21S 13/00

See application file for complete search history.

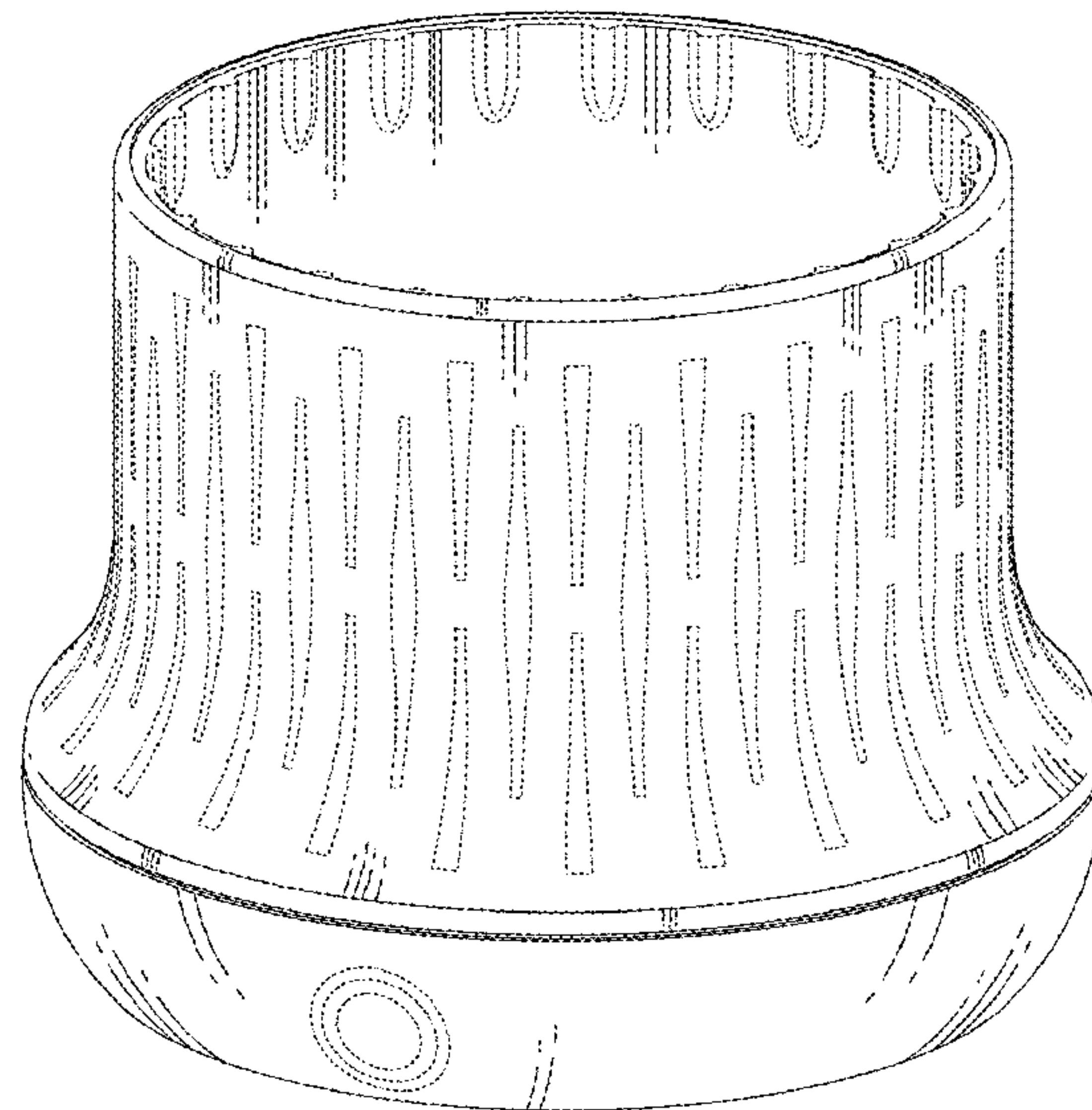
(57) **CLAIM**

The ornamental design for a bottle holder, as shown and described.

**DESCRIPTION**

FIG. 1 is a perspective view of a bottle holder showing our new design;  
FIG. 2 is a front view thereof;  
FIG. 3 is a rear view thereof;  
FIG. 4 is a left side view thereof;  
FIG. 5 is a right side view thereof;  
FIG. 6 is a top view thereof; and,  
FIG. 7 is a bottom view thereof.  
The broken lines depict portions of the bottle holder that form no part of the claimed design.

**1 Claim, 7 Drawing Sheets**



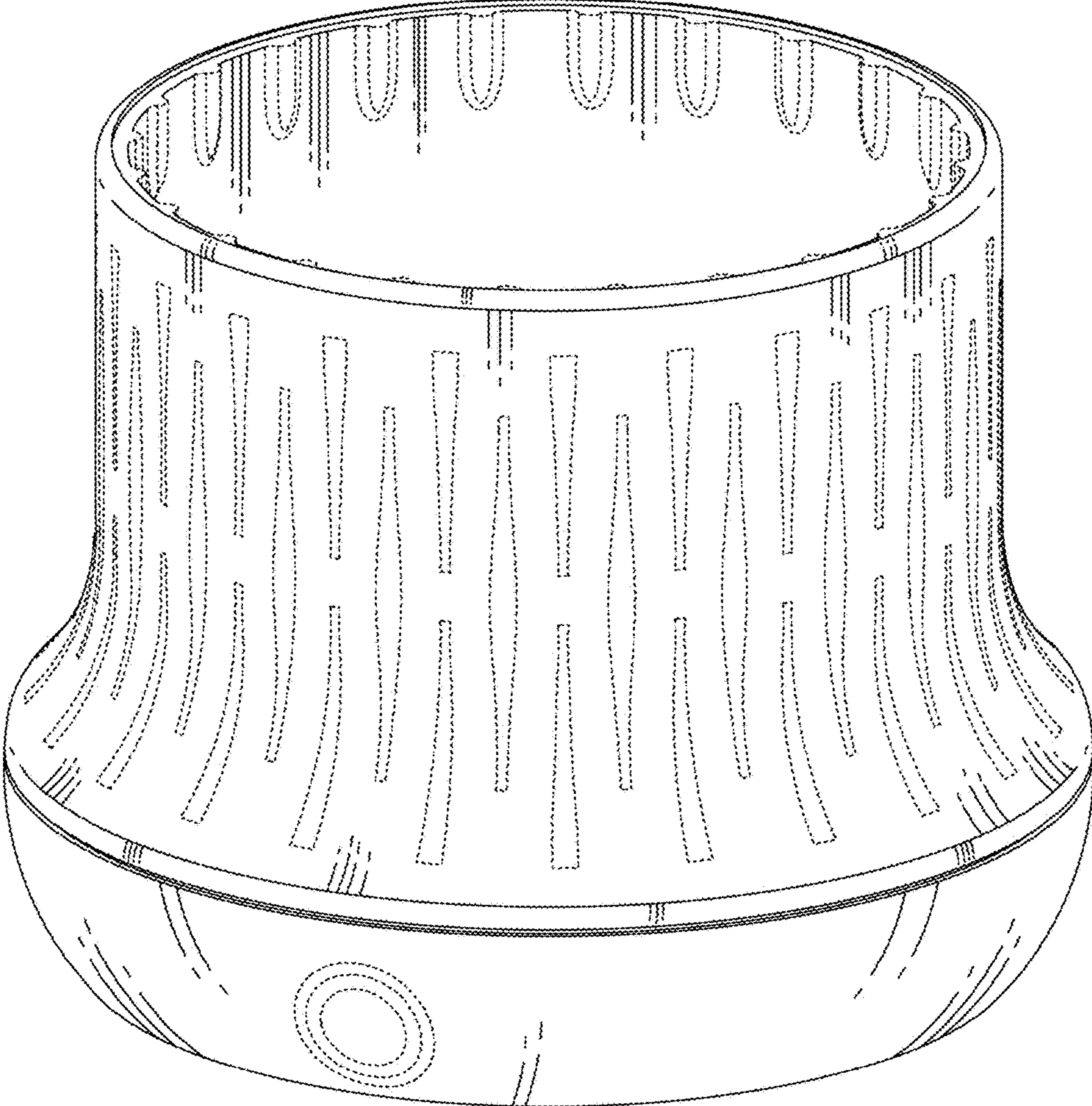


FIG. 1

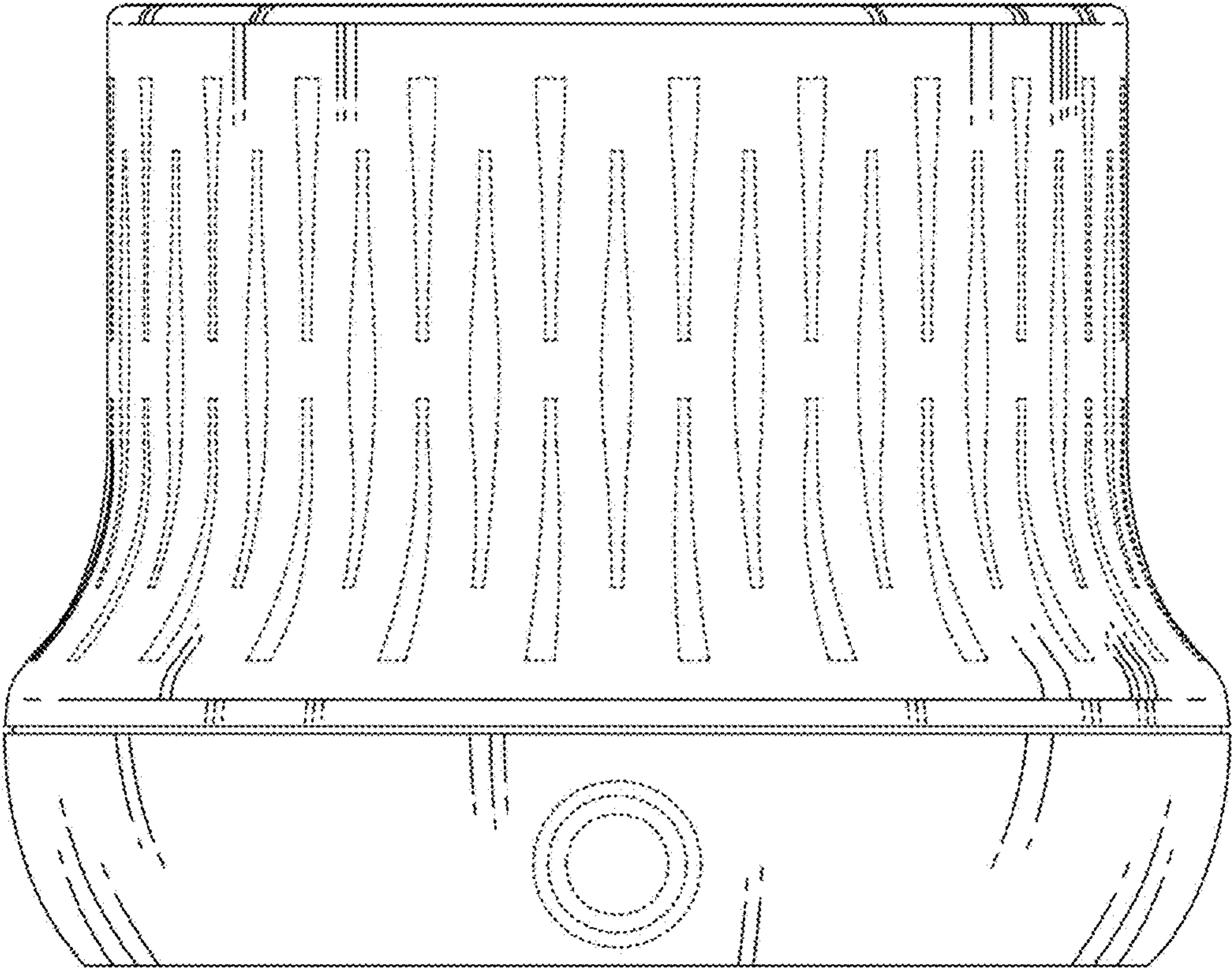


FIG. 2



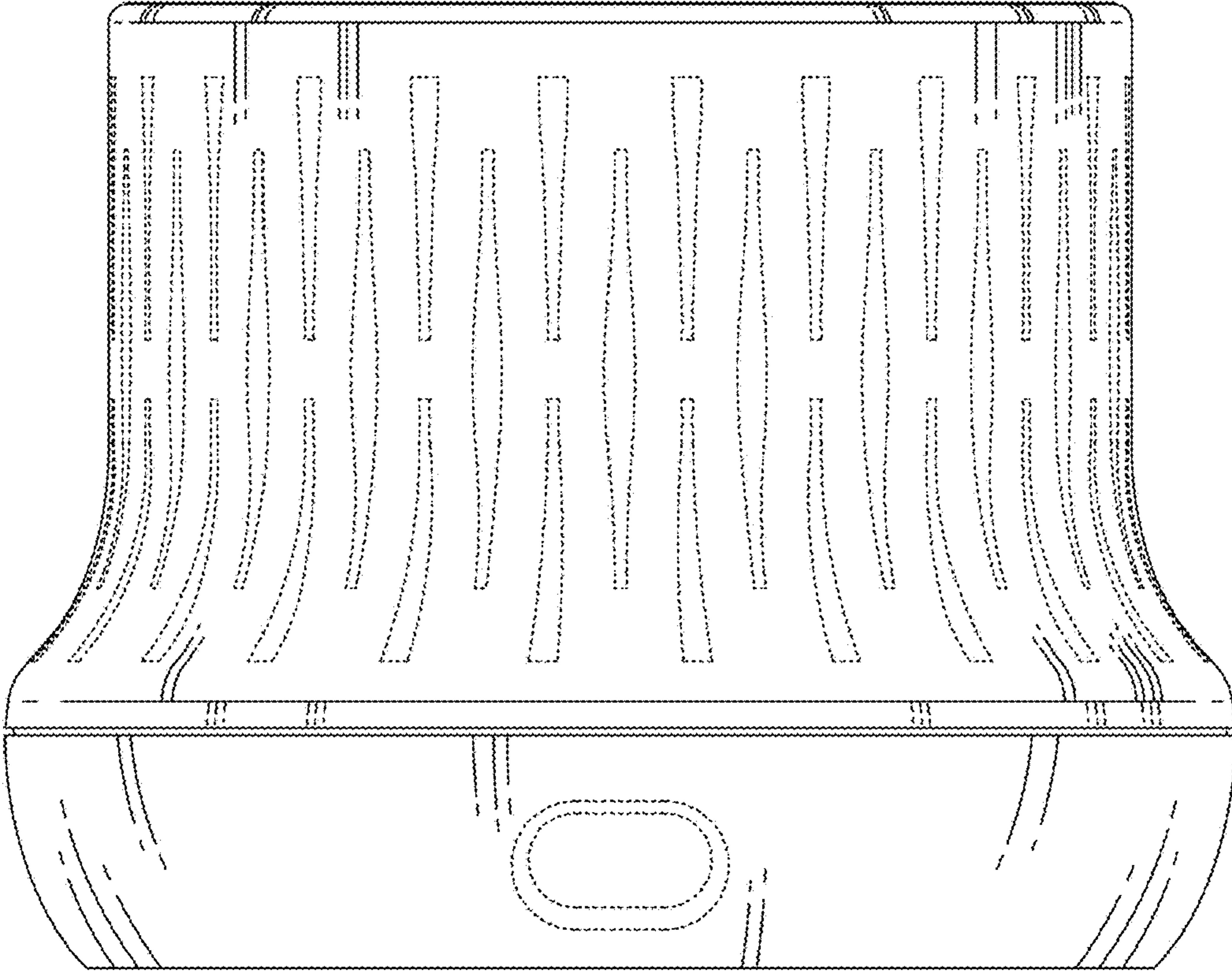


FIG. 3

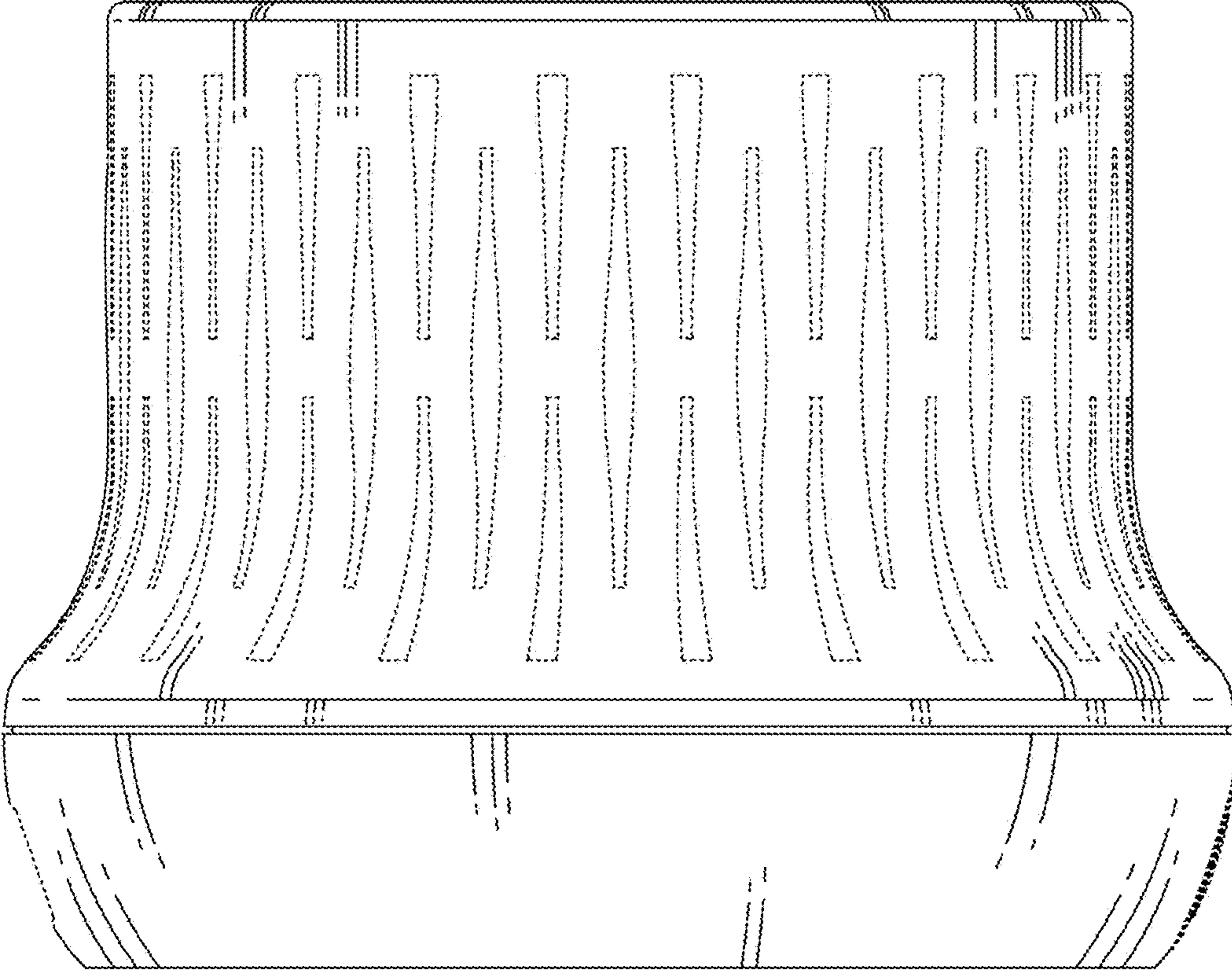


FIG. 4

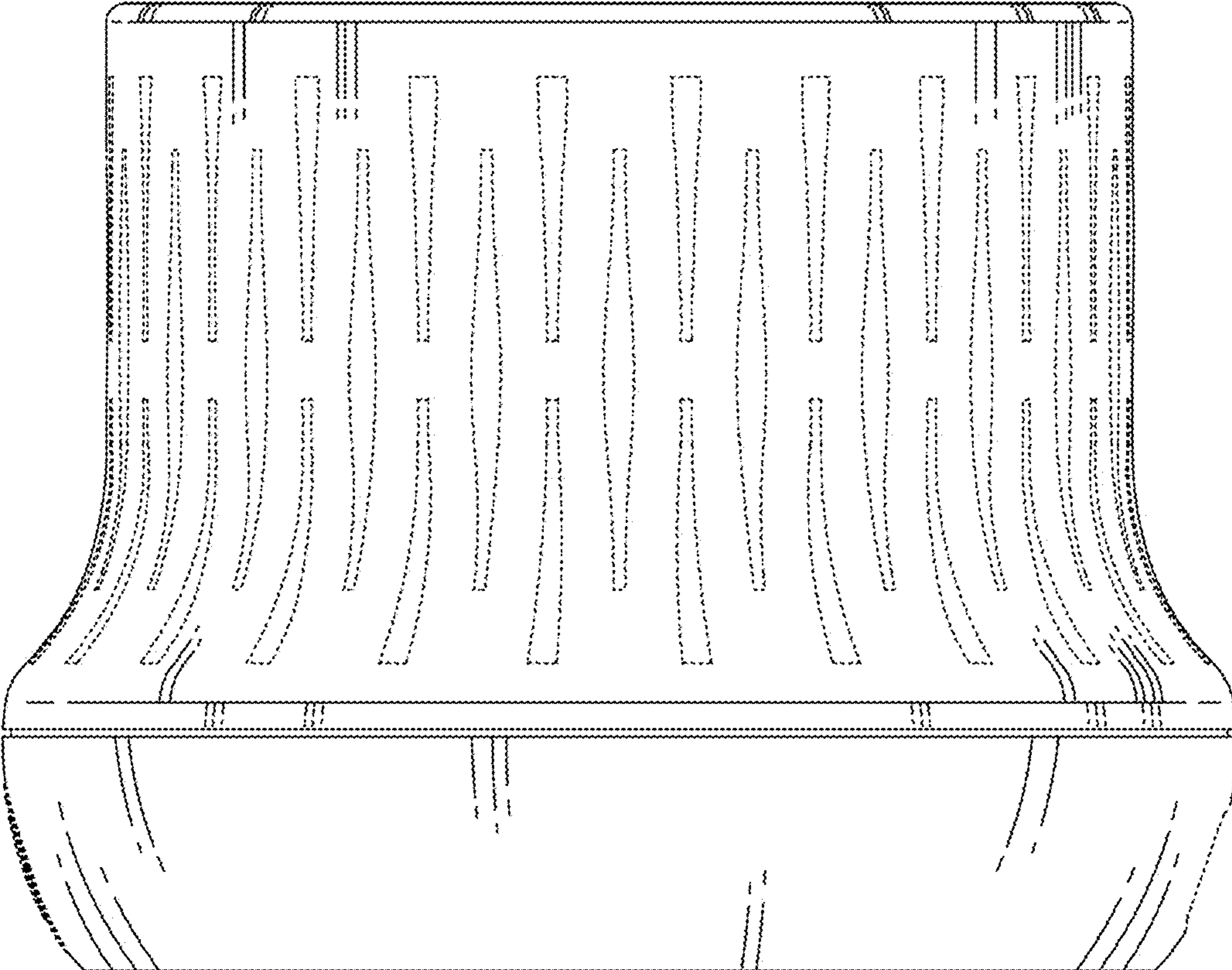


FIG. 5

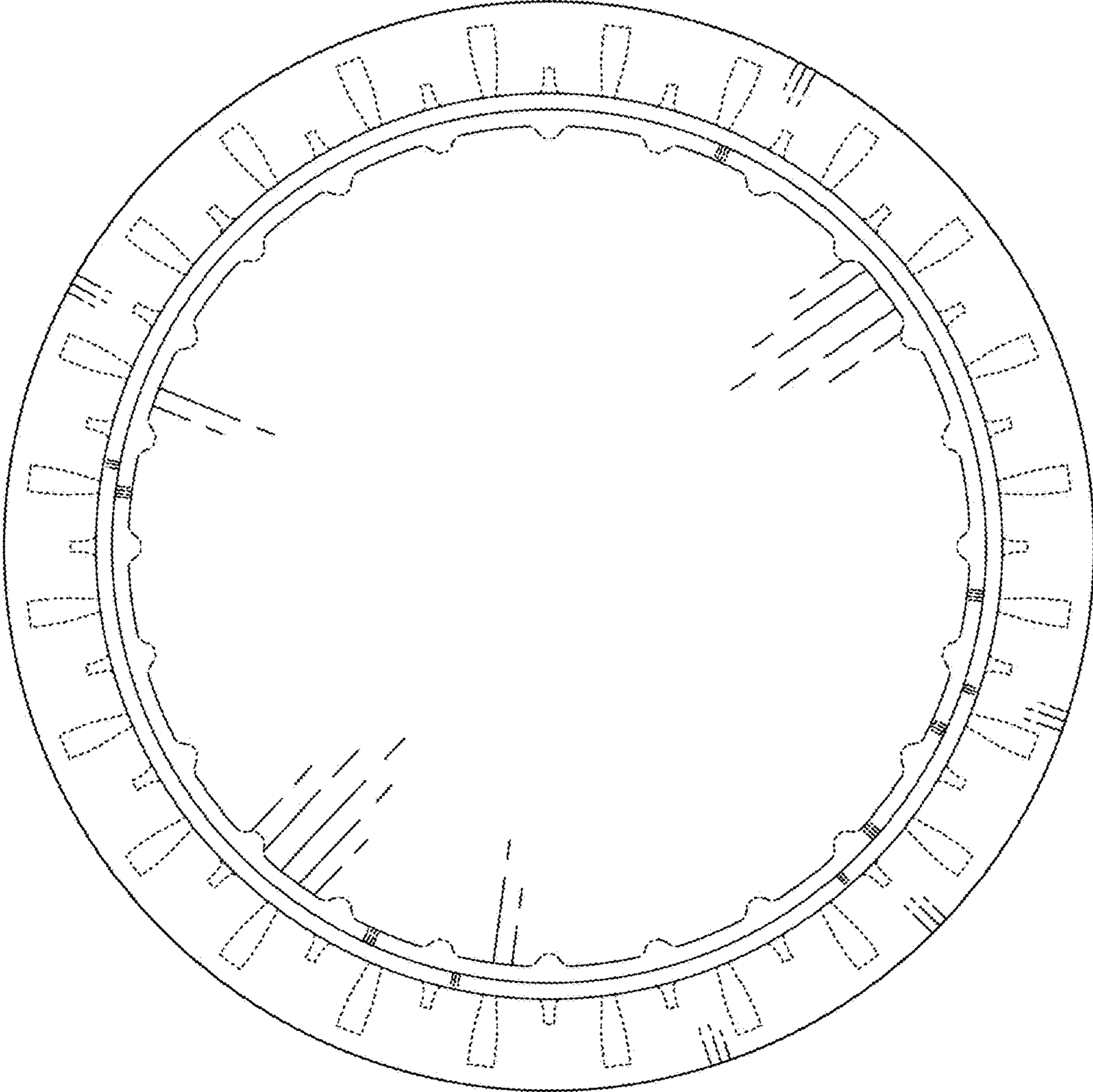


FIG. 6

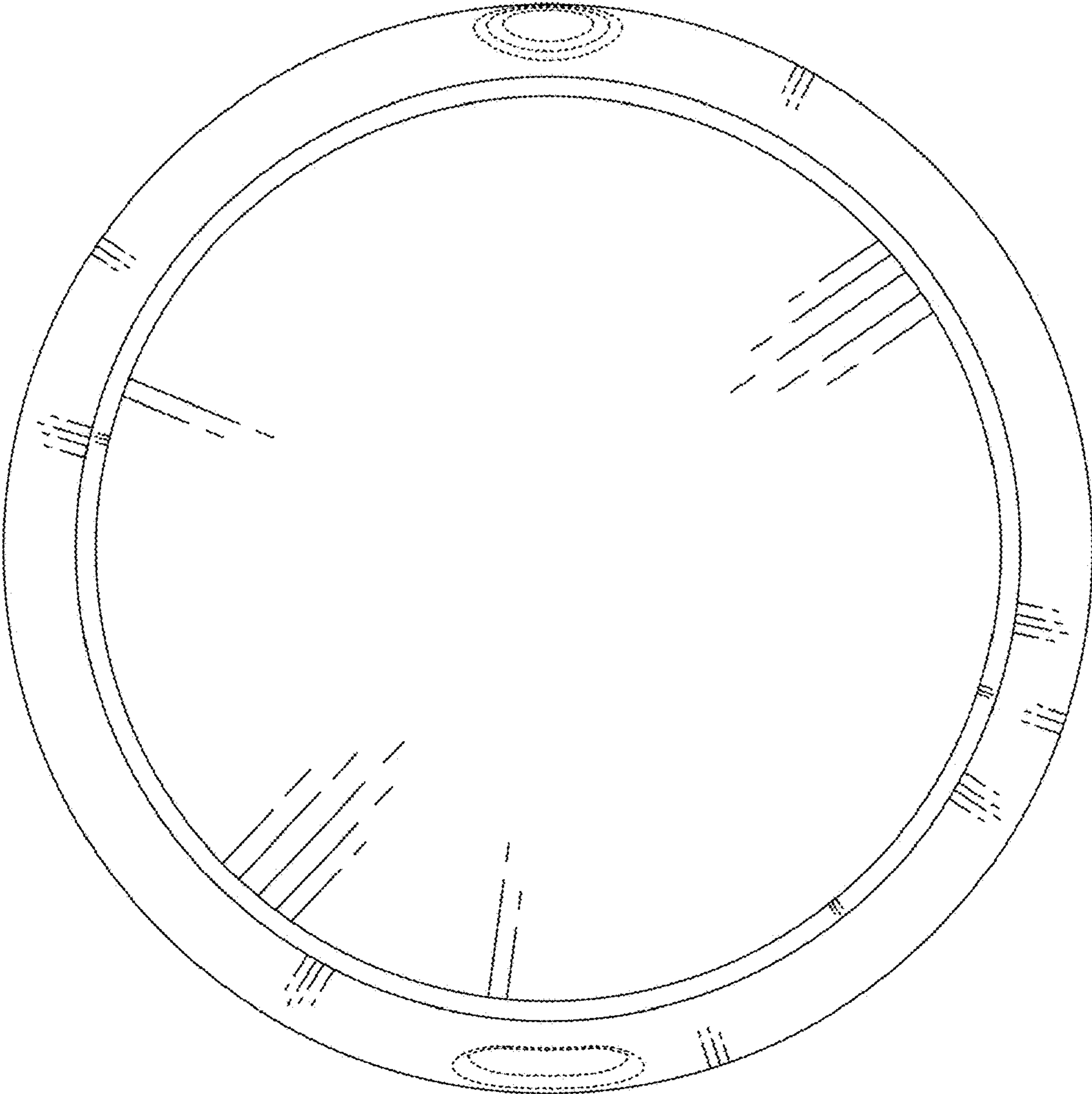


FIG. 7