



US00D841406S

(12) **United States Design Patent** (10) **Patent No.:** **US D841,406 S**
Gupta (45) **Date of Patent:** **** Feb. 26, 2019**

(54) **CUP SLEEVE**
(71) Applicant: **Design By Freedom, LLC,**
Charlottesville, VA (US)
(72) Inventor: **Anukampa Gupta,** Charlottesville, VA
(US)
(73) Assignee: **Design By Freedom, LLC,**
Charlottesville, VA (US)

(**) Term: **15 Years**

(21) Appl. No.: **29/603,212**

(22) Filed: **May 8, 2017**

(51) **LOC (11) Cl.** **07-06**

(52) **U.S. Cl.**
USPC **D7/624.2**

(58) **Field of Classification Search**
USPC D7/619.1-625, 603-608, 701-708, 514,
D7/533-536; D9/444, 455, 434
CPC B65D 81/3865; B65D 81/3876; B65D
23/08; B65D 23/104; A45C 11/20; A47G
23/0258; A47G 23/0216; A47G 23/0266;
A47G 2023/0291; A47J 41/02; A47J
41/0077

See application file for complete search history.

(56) **References Cited**

U.S. PATENT DOCUMENTS

5,222,656 A * 6/1993 Carlson A47G 23/0216
220/738
D435,196 S * 12/2000 Gregor D12/420

D444,683 S * 7/2001 Corrion D12/420
D635,832 S * 4/2011 Bergin D7/701
D640,507 S * 6/2011 Selina D7/607
D643,689 S * 8/2011 Selina D7/607
D643,692 S * 8/2011 Selina D7/607
D656,365 S * 3/2012 Bickert D7/523
2006/0186129 A1 * 8/2006 Allnutt B65D 81/3865
220/737
2008/0078824 A1 * 4/2008 Spriegel B65D 81/3876
229/403

* cited by examiner

Primary Examiner — Terry A Wallace

(74) *Attorney, Agent, or Firm* — D'Ambrosio & Menon,
PLLC; Usha Menon

(57) **CLAIM**

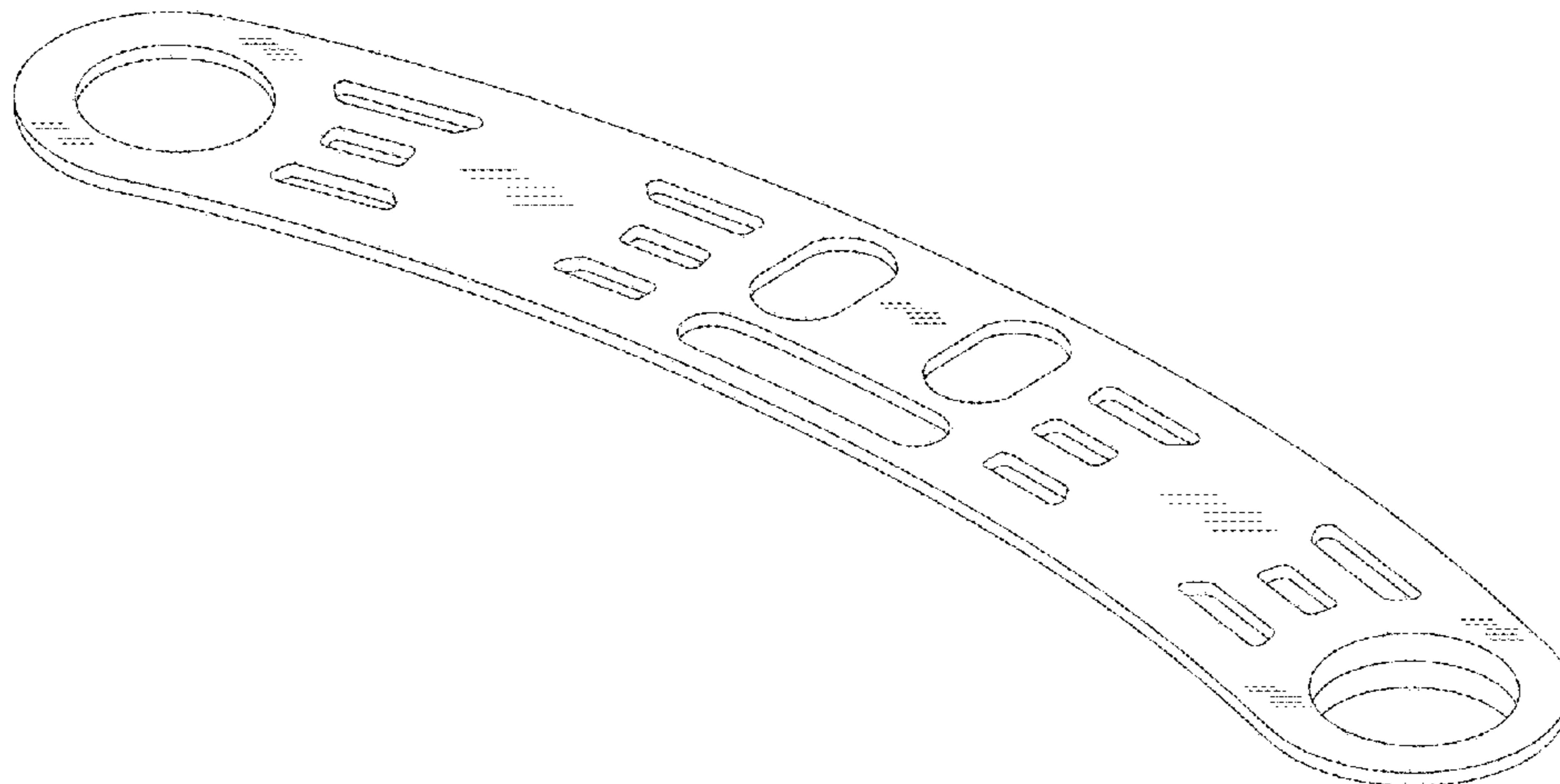
The ornamental design for a cup sleeve, as shown and described.

DESCRIPTION

FIG. 1 is a front view of a cup sleeve showing my new design;
FIG. 2 is a side view thereof;
FIG. 3 is a perspective view thereof;
FIG. 4 is a front view thereof;
FIG. 5 is a rear view thereof;
FIG. 6 is a right side view thereof;
FIG. 7 is a left side view thereof;
FIG. 8 is a top view thereof; and,
FIG. 9 is a bottom view thereof.

The broken lines in the drawings are for illustrative purposes only and form no part of the claimed design.

1 Claim, 5 Drawing Sheets



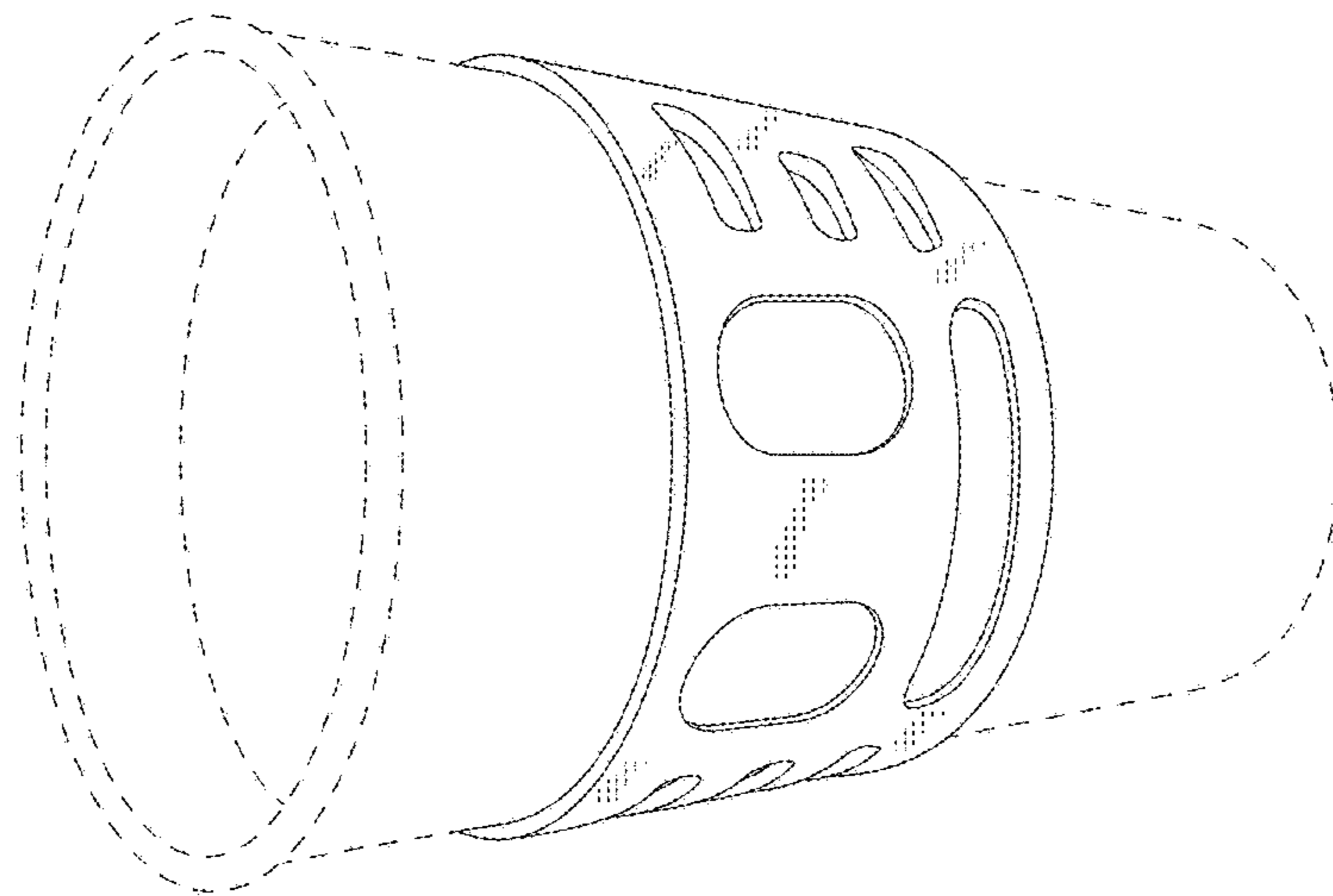


FIG. 1

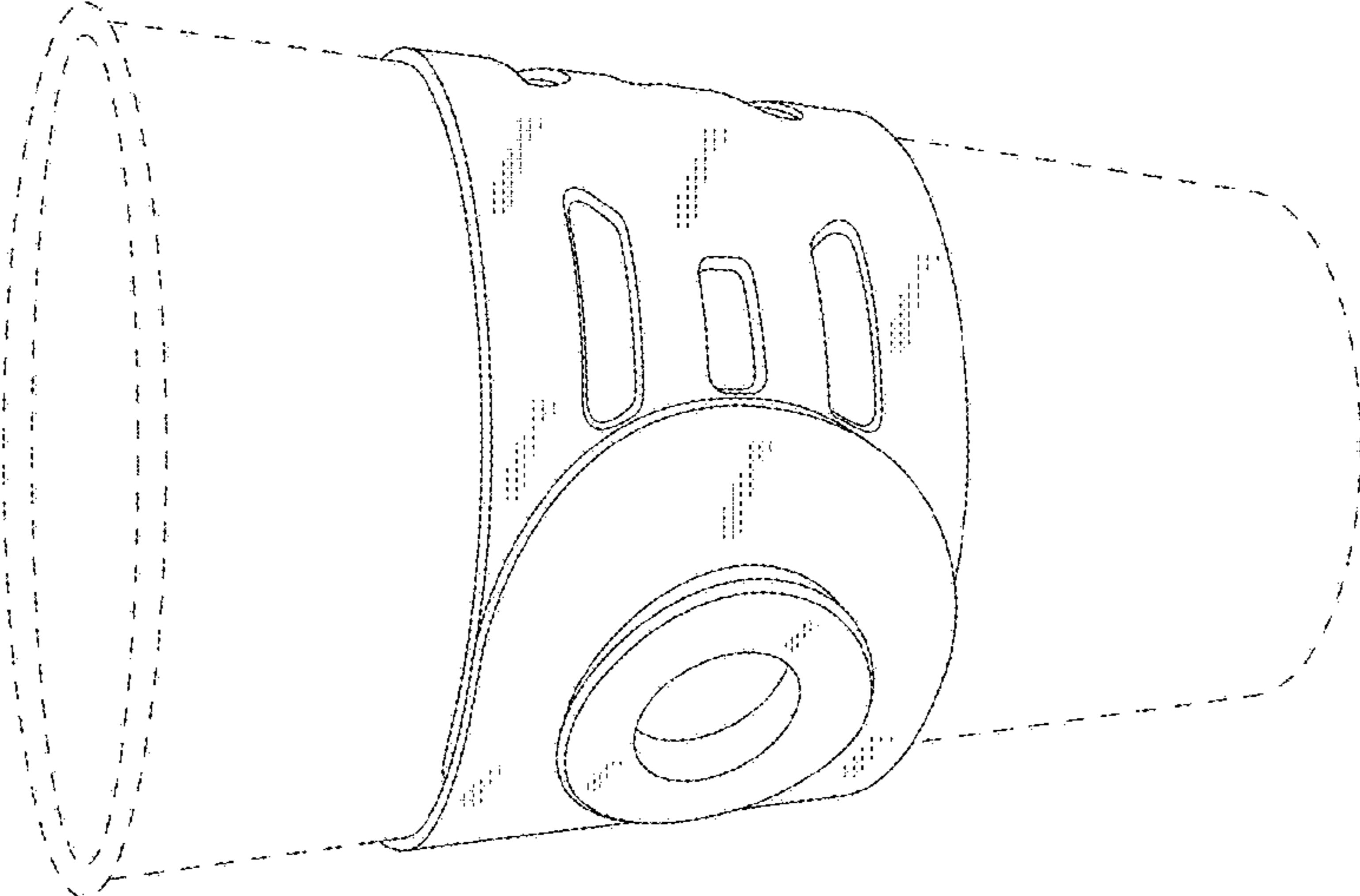


FIG. 2

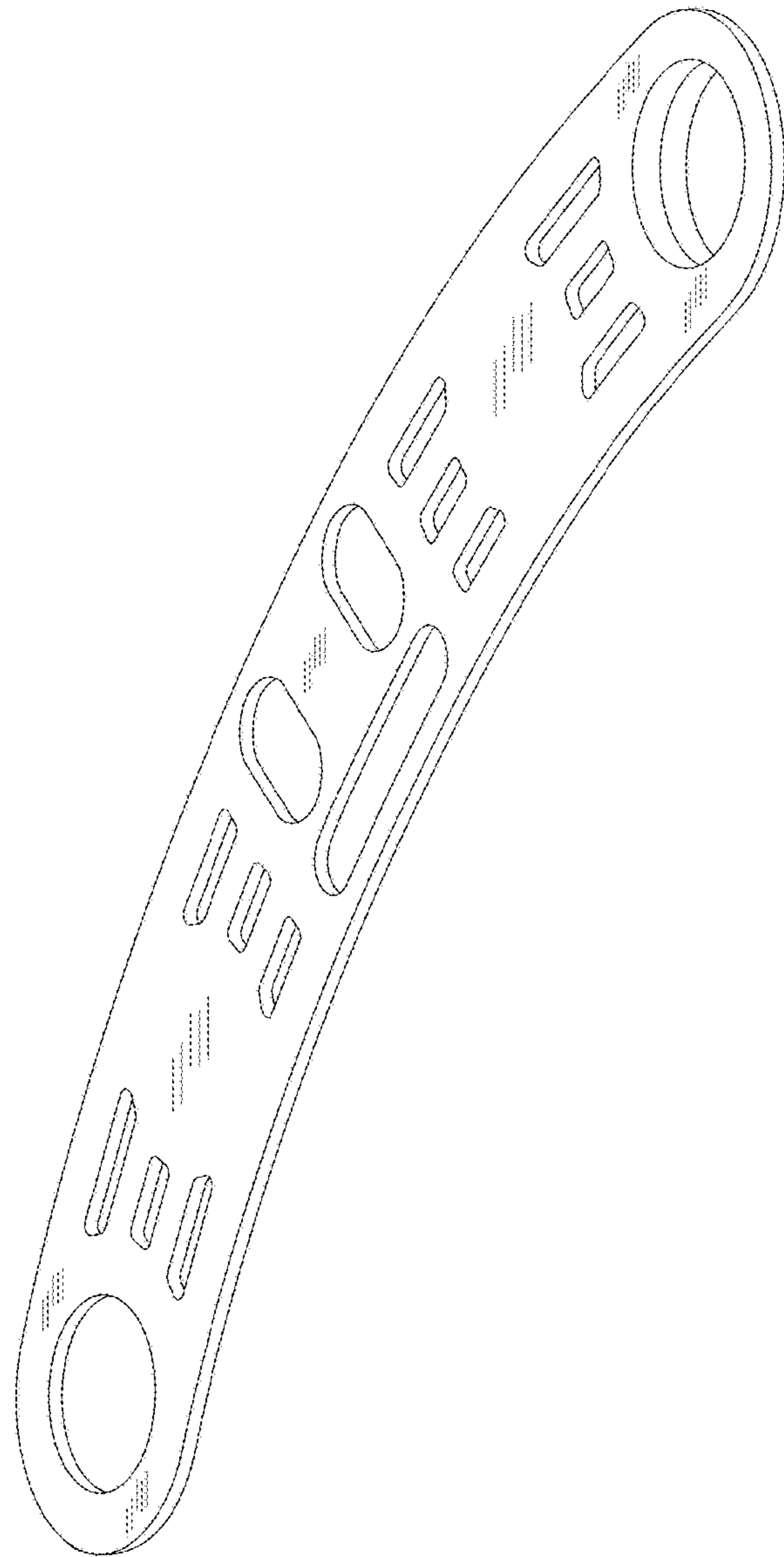


FIG. 3

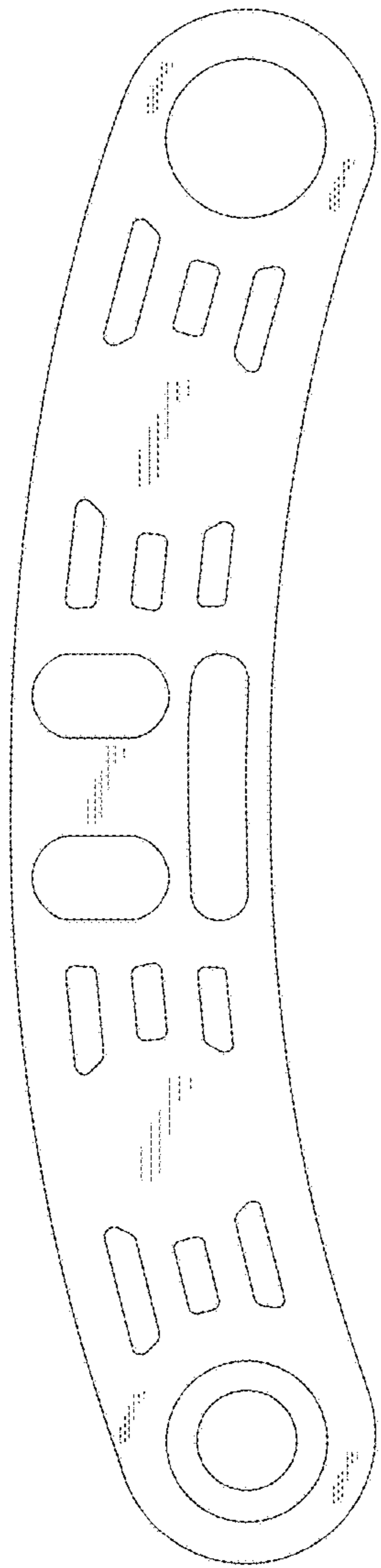


FIG. 4

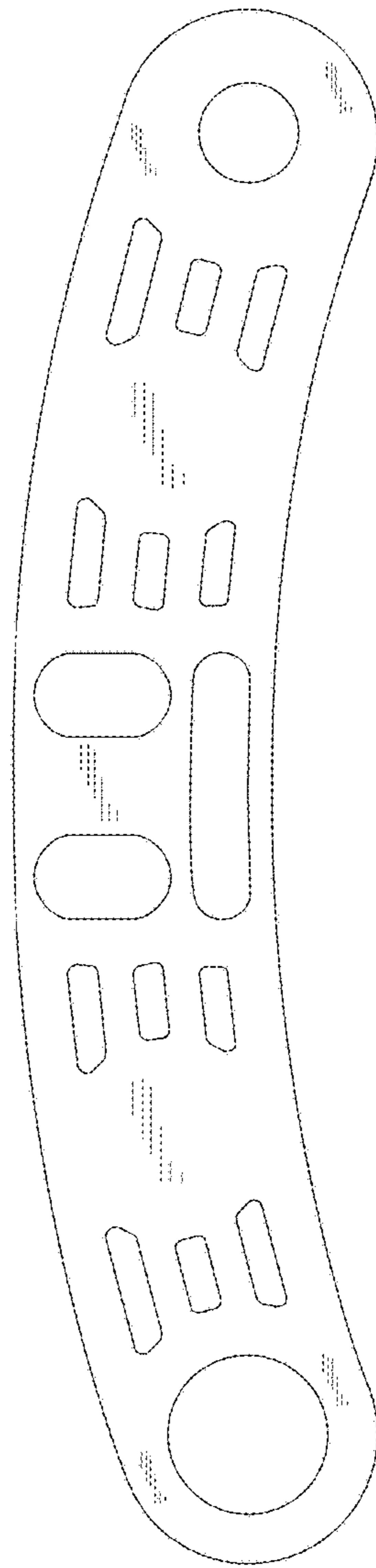


FIG. 5

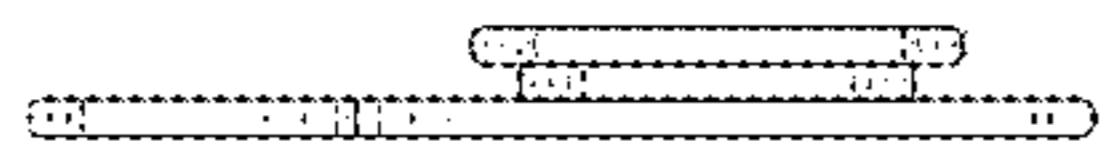


FIG. 6

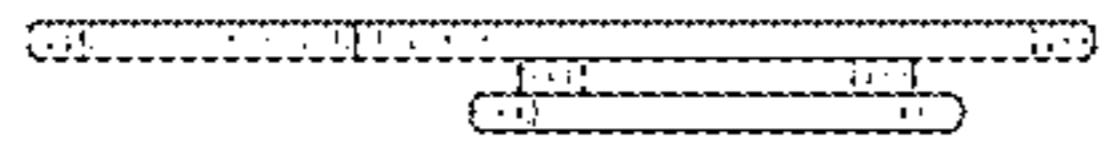


FIG. 7

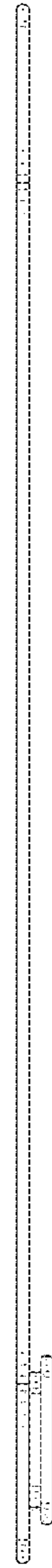


FIG. 8

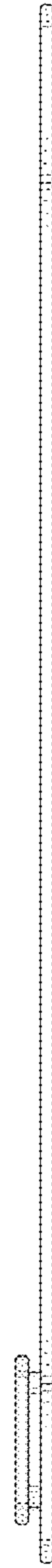


FIG. 9