



US00D841405S

(12) **United States Design Patent** (10) **Patent No.:** **US D841,405 S**
Lane et al. (45) **Date of Patent:** **** Feb. 26, 2019**

(54) **BEVERAGE PRODUCT HOLDER WITH SECURING ELEMENTS**

(71) Applicant: **THERMOS L.L.C.**, Schaumburg, IL (US)
(72) Inventors: **Marvin Lane**, Wheeling, IL (US);
Dwayne Boroski, Lake in the Hills, IL (US)
(73) Assignee: **THERMOS L.L.C.**, Schaumburg, IL (US)

(**) Term: **15 Years**

(21) Appl. No.: **29/596,618**

(22) Filed: **Mar. 9, 2017**

(51) **LOC (11) Cl.** **07-01**

(52) **U.S. Cl.**
USPC **D7/624.2; D7/607**

(58) **Field of Classification Search**
USPC D7/619.1-625, 603-608
CPC A47G 23/0266; A47G 23/0225; A47G 23/0216; A47G 23/0258; B65D 81/3879; B65D 81/3881; B65D 81/3823; B65D 23/3886; A45C 11/20; F25D 3/08; F25D 3/14; F25D 2331/804; Y10S 220/902; Y10S 220/903

See application file for complete search history.

(56) **References Cited**

U.S. PATENT DOCUMENTS

1,927,553 A 12/1932 Lusher
4,534,391 A * 8/1985 Ventimiglia A47G 23/0266
220/739
5,329,778 A 7/1994 Padamsee
6,119,888 A 9/2000 Goto et al.
D432,367 S 10/2000 Segura

(Continued)

OTHER PUBLICATIONS

U.S. Appl. No. 29/556,411, filed Mar. 1, 2016 (19 pages).

Primary Examiner — Terry A Wallace
(74) *Attorney, Agent, or Firm* — Polsinelli PC

(57) **CLAIM**

The ornamental design for a beverage product holder with securing elements, as shown and described.

DESCRIPTION

FIG. 1 is a front left perspective view of a beverage product holder with securing elements;

FIG. 2 is a rear left perspective view of the beverage product holder with securing elements;

FIG. 3 is a front view of the beverage product holder with securing elements;

FIG. 4 is a rear view of the beverage product holder with securing elements;

FIG. 5 is a left side view of the beverage product holder with securing elements;

FIG. 6 is a right side view of the beverage product holder with securing elements;

FIG. 7 is a top view of the beverage product holder with securing elements;

FIG. 8 is a bottom view of the beverage product holder with securing elements;

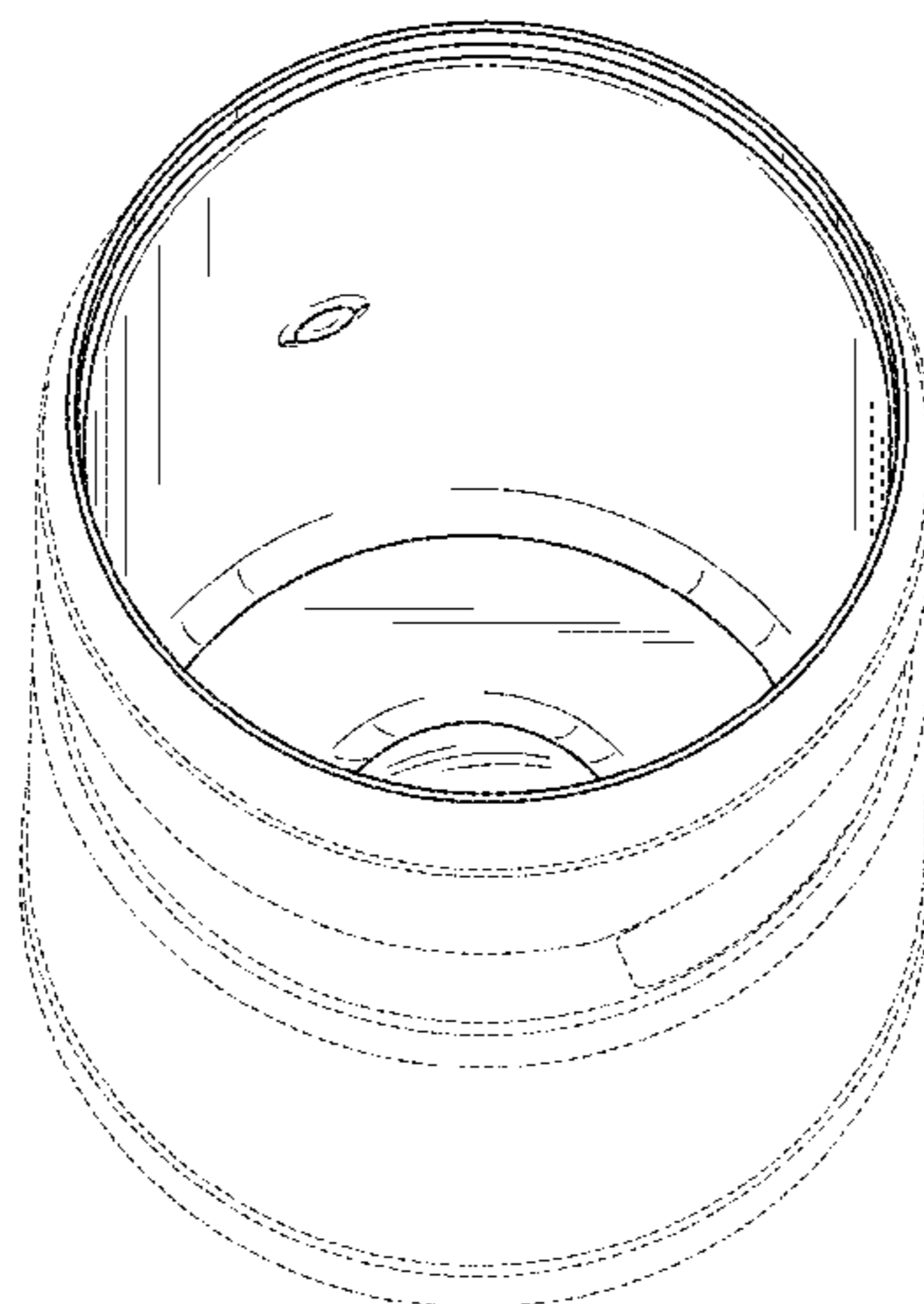
FIG. 9 is an enlarged, sectional view of the beverage product holder with securing elements taken along the line 9-9 in FIG. 7;

FIG. 10 is an enlarged, sectional view of the beverage product holder with securing elements taken along the line 10-10 in FIG. 7; and,

FIG. 11 is an enlarged, sectional view of the beverage product holder with securing elements taken along line 11-11 in FIG. 9.

The broken lines showing in the figures are included for the purpose of illustrating portions of the beverage product holder with securing elements that form no part of the claimed design.

1 Claim, 7 Drawing Sheets



(56)

References Cited

U.S. PATENT DOCUMENTS

D455,052 S * 4/2002 Gullickson D7/619.1
D455,612 S 4/2002 Gullickson et al.
6,460,722 B2 * 10/2002 Lee A47G 23/0225
220/23.88
6,530,496 B2 3/2003 Moran
D479,785 S 9/2003 Schuler
6,626,326 B2 * 9/2003 Murakami B65D 81/3881
220/23.87
D497,778 S 11/2004 Rich
D503,589 S 4/2005 Schuler
D530,161 S 10/2006 Carreno et al.
D587,534 S 3/2009 Carreno
7,614,516 B2 11/2009 Beggins

* cited by examiner

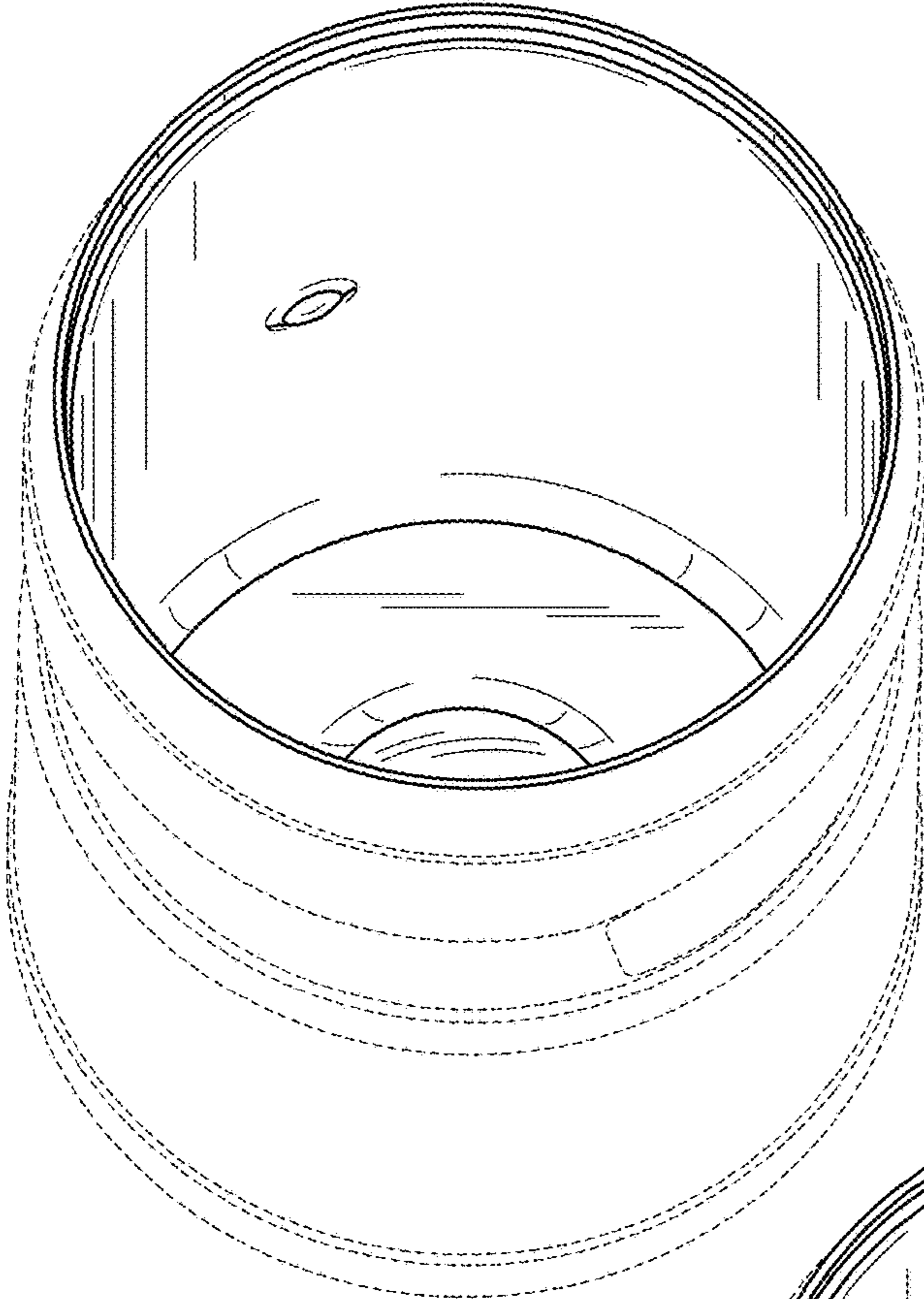


FIG. 1

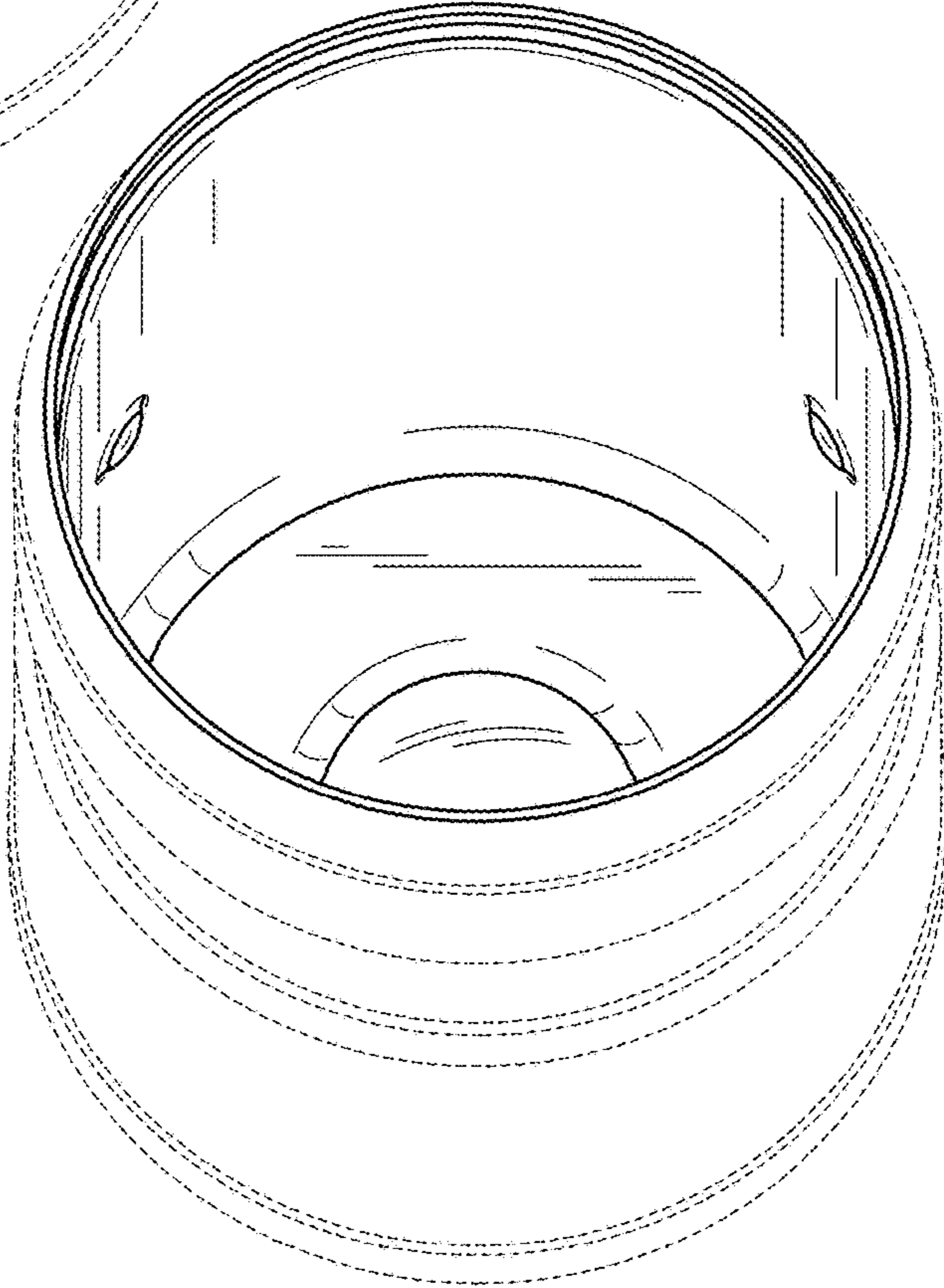


FIG. 2

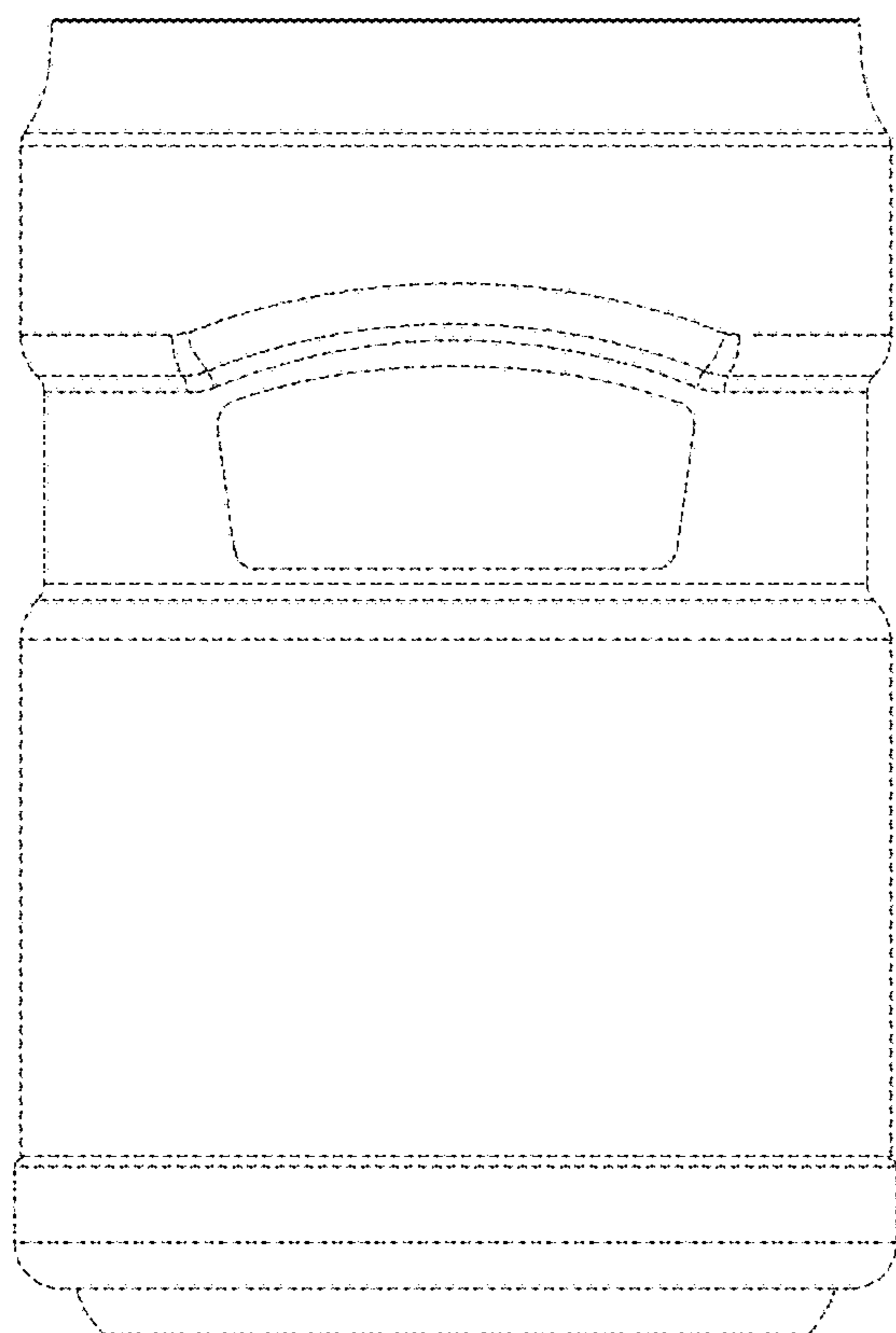


FIG. 3

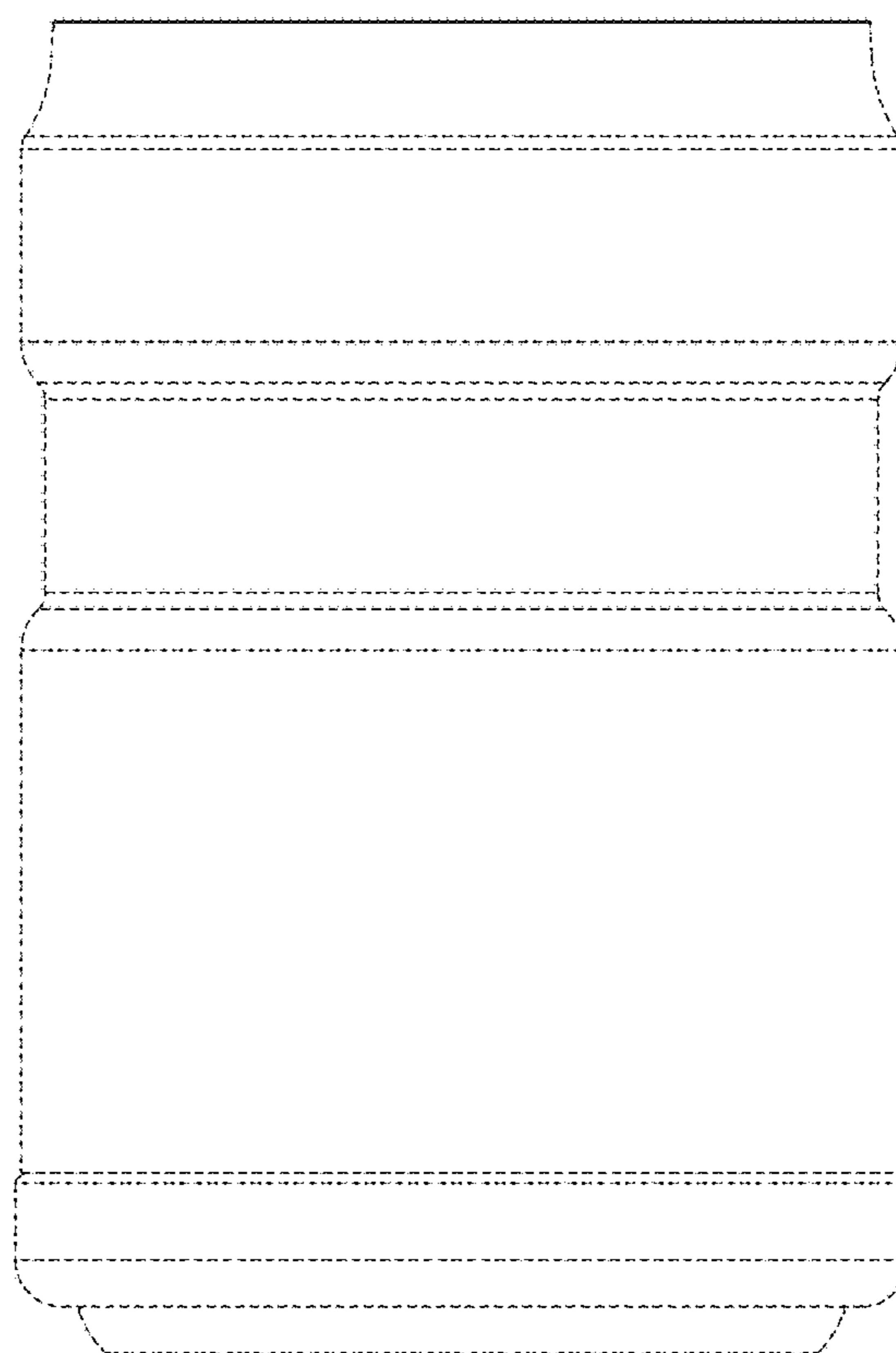


FIG. 4

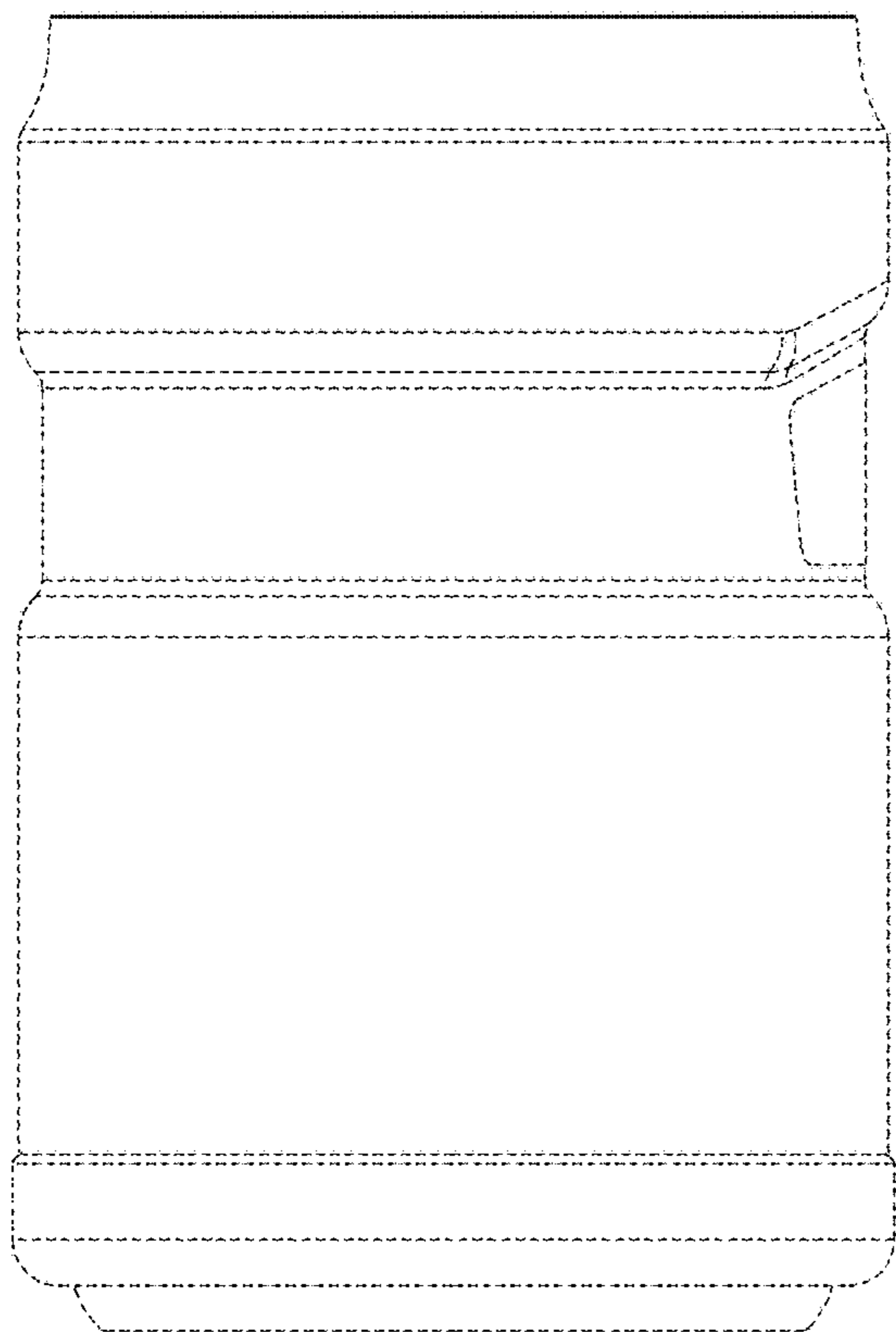


FIG. 5

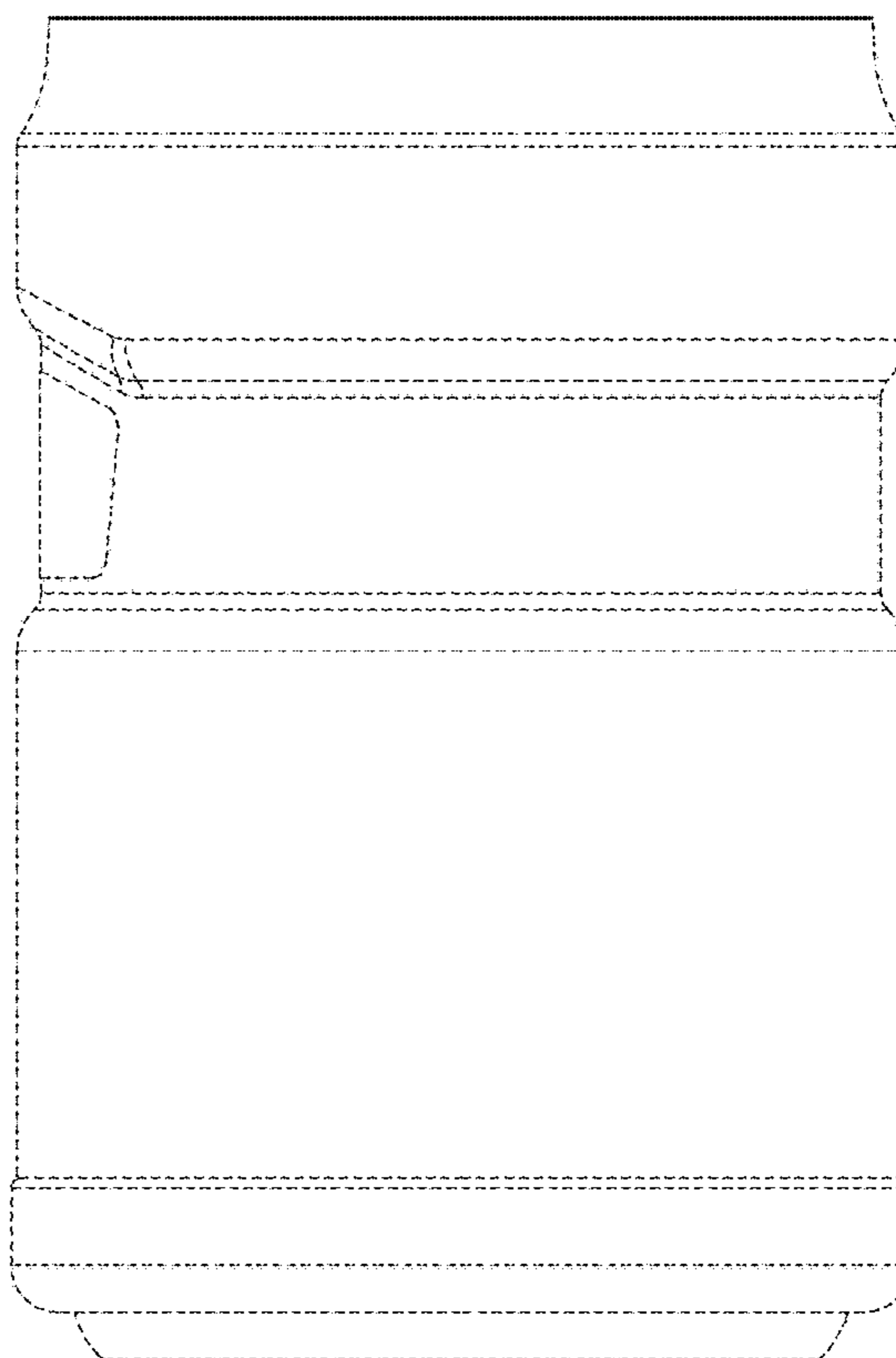


FIG. 6

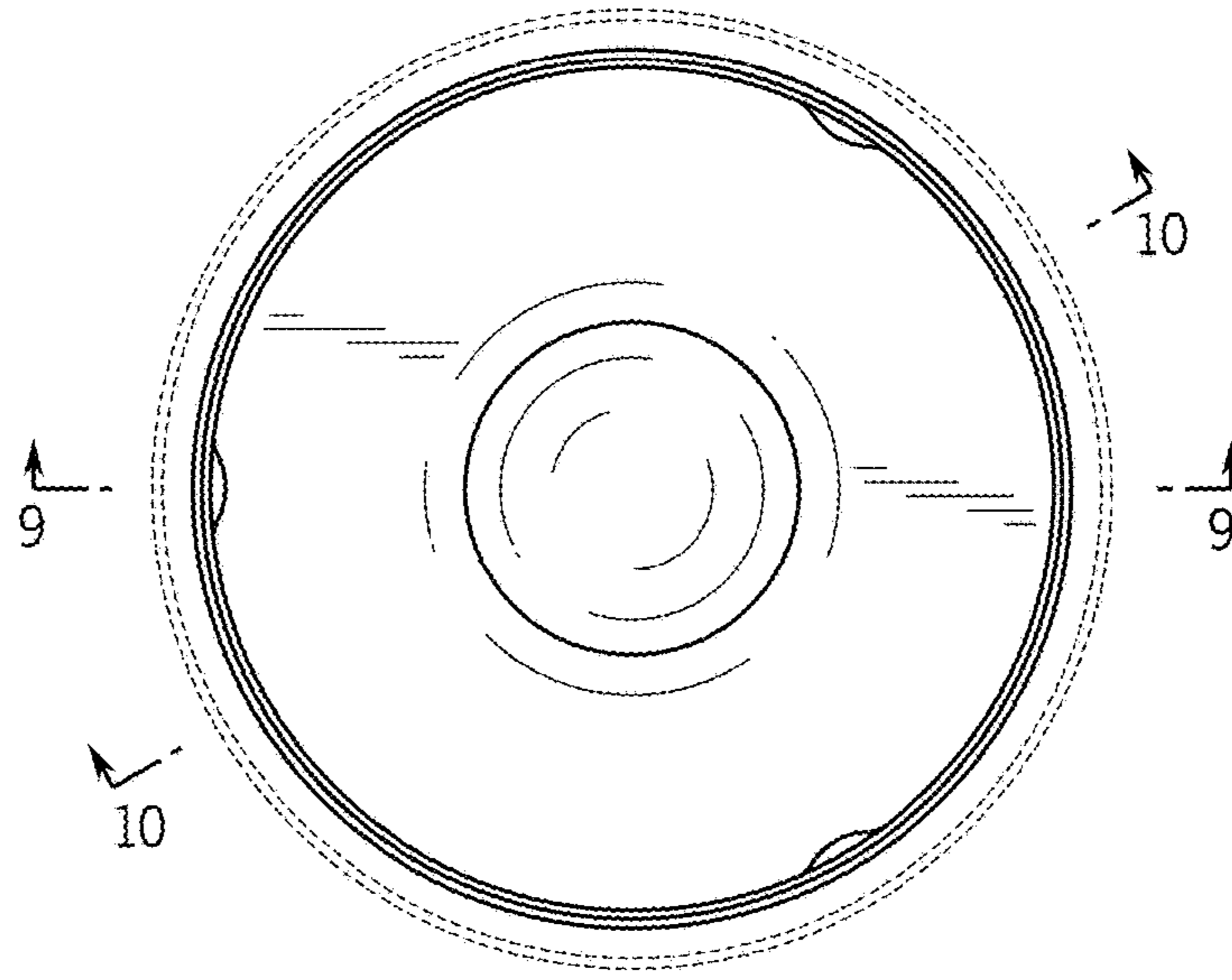


FIG. 7

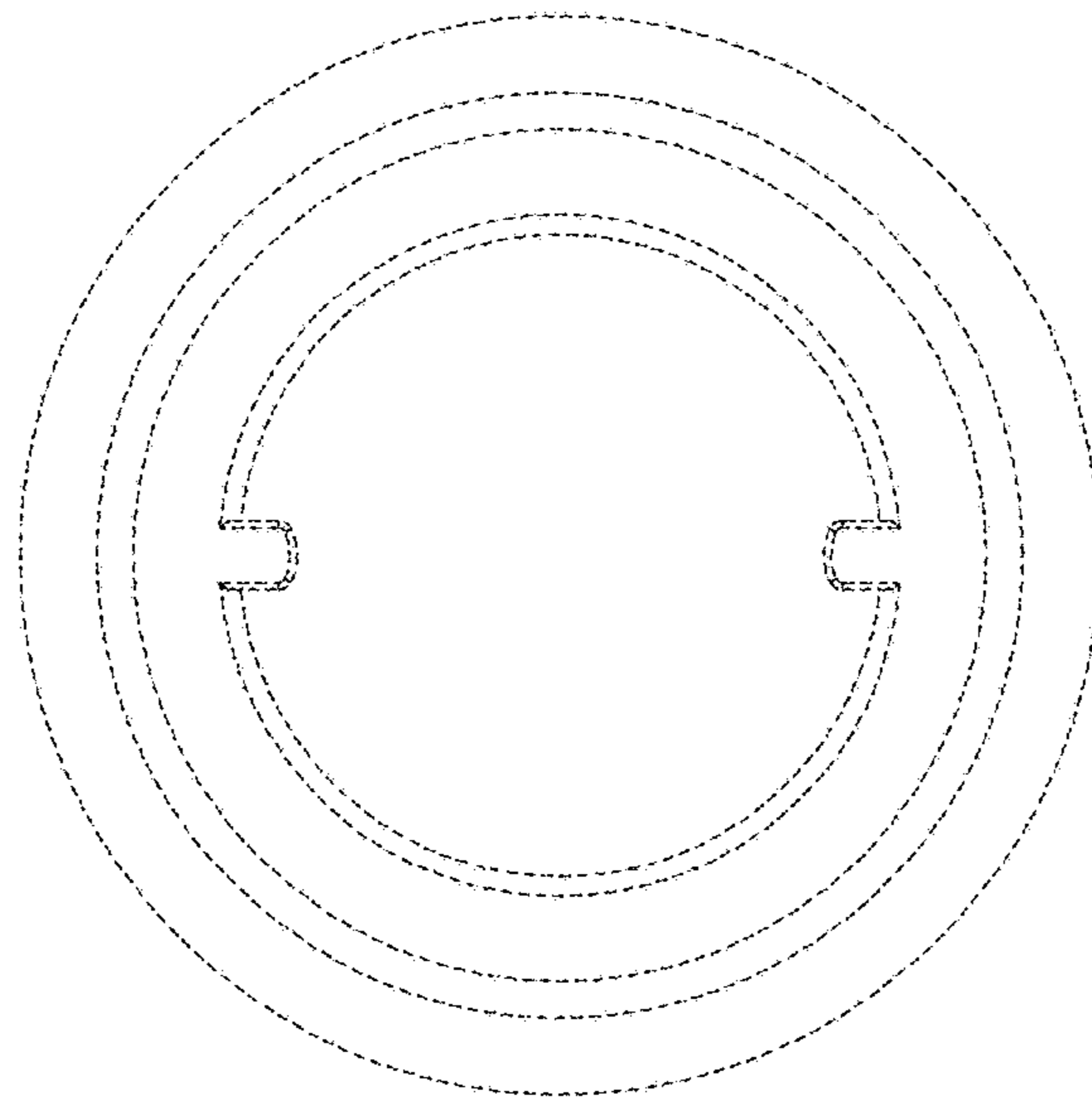


FIG. 8

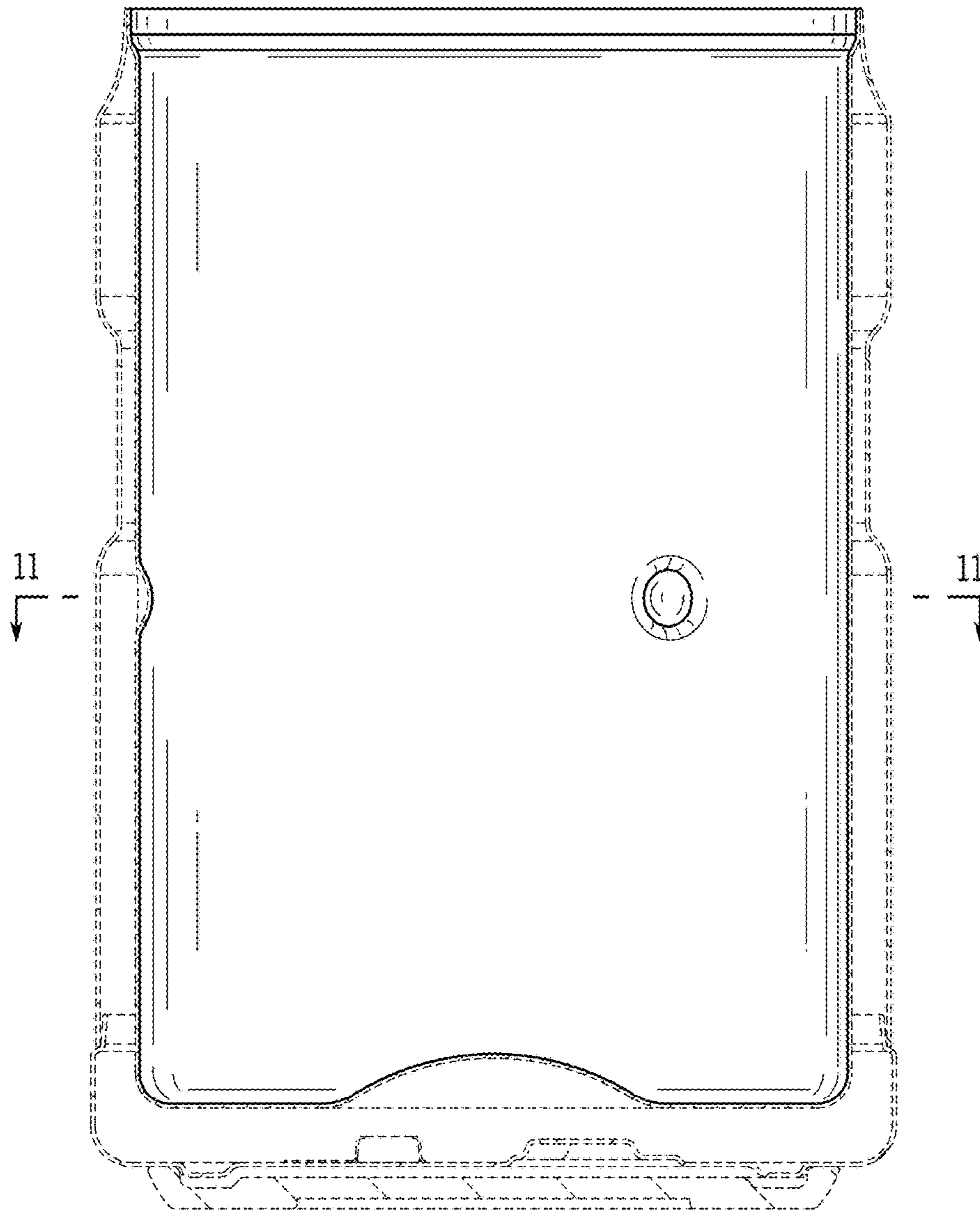


FIG. 9

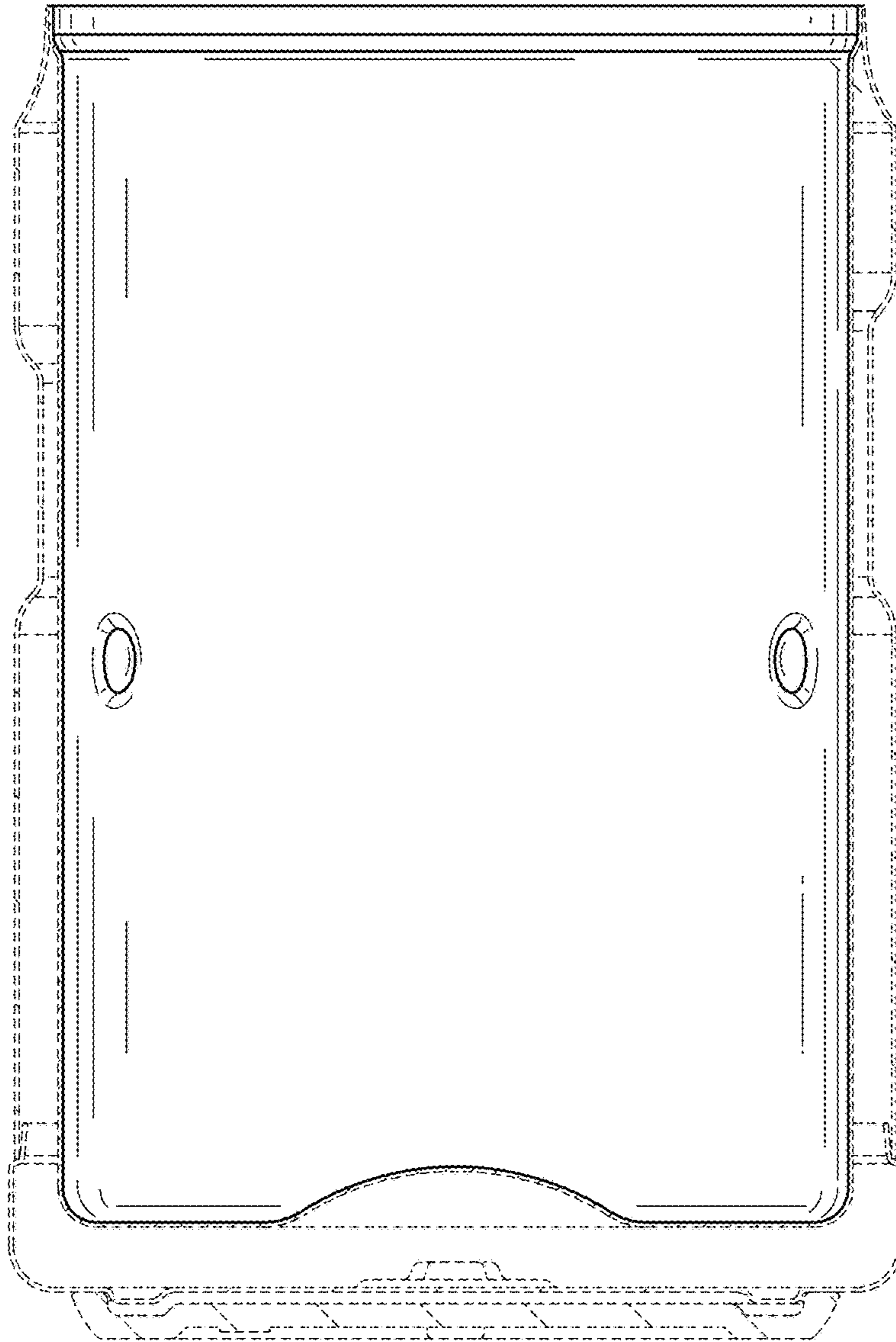


FIG. 10

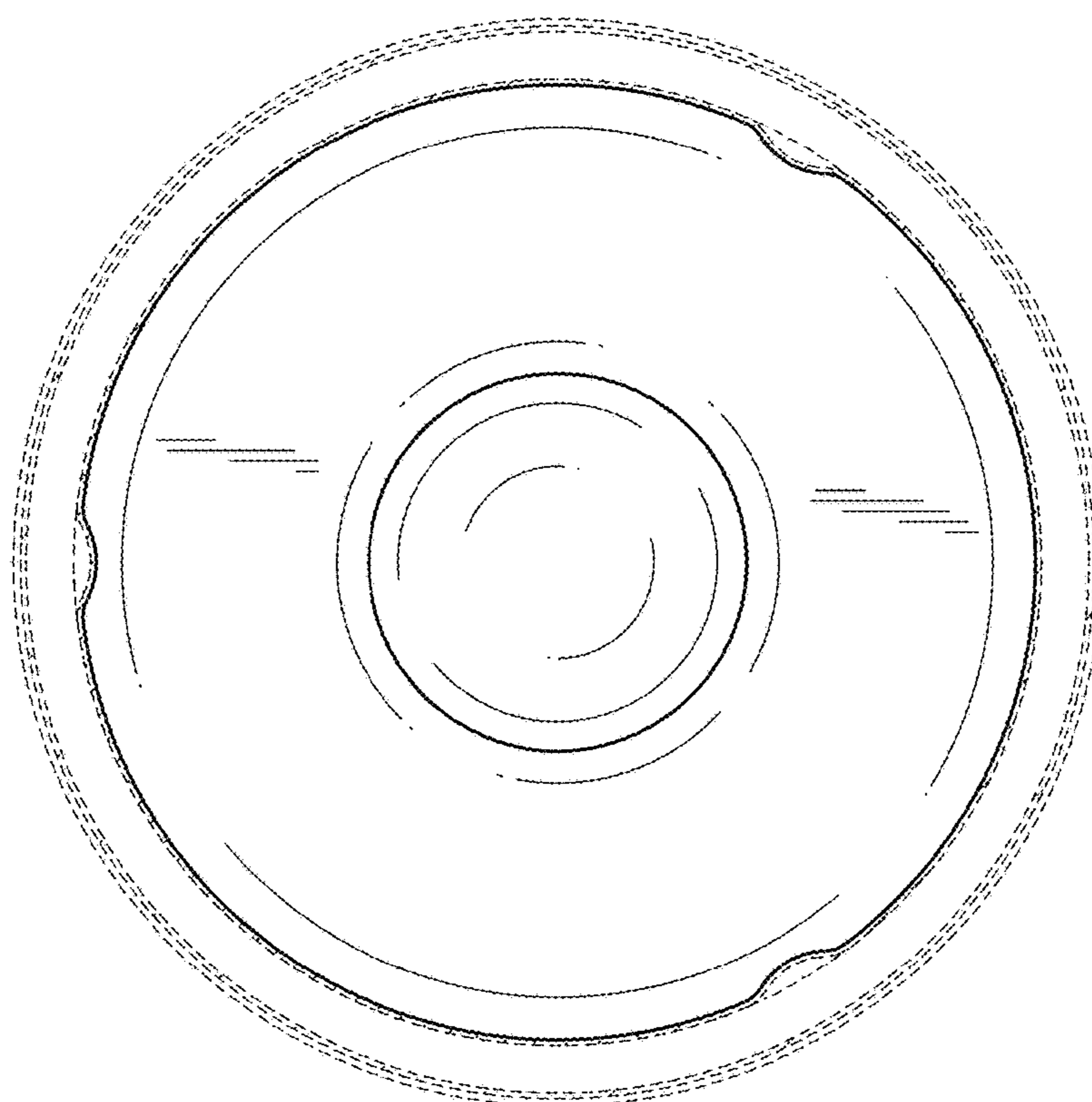


FIG. 11