



US00D841404S

(12) **United States Design Patent**  
**Parinella**

(10) **Patent No.:** **US D841,404 S**

(45) **Date of Patent:** **\*\* Feb. 26, 2019**

(54) **PORTABLE DEVICE FOR PROTECTING  
PERSONAL ITEMS WHILE KEEPING A  
BEVERAGE COLD**

(71) Applicant: **Rec-Creations, LLC**, Austin, TX (US)

(72) Inventor: **Nicholas Parinella**, Austin, TX (US)

(\*\*) Term: **15 Years**

(21) Appl. No.: **29/628,388**

(22) Filed: **Dec. 4, 2017**

(51) **LOC (11) Cl.** ..... **07-01**

(52) **U.S. Cl.**  
USPC ..... **D7/605; D7/624.2**

(58) **Field of Classification Search**  
USPC ..... D7/603-608, 619.1-625; D9/444  
CPC ..... B65D 81/3837; B65D 81/3839; B65D  
81/3841; B65D 81/3844; B65D 81/3846;  
B65D 81/3876; B65D 81/3879; B65D  
81/3883; B65D 81/3886; A47G 23/0266;  
A47G 23/0216; A47G 23/0258; A47G  
2023/0275; A45C 11/22; A45C 11/321;  
A45C 11/20; F25D 3/08; F25D 3/14;  
F25D 2331/804

See application file for complete search history.

(56) **References Cited**

**U.S. PATENT DOCUMENTS**

4,798,063 A \* 1/1989 Rimmer ..... B65D 81/3886  
62/371  
5,467,891 A \* 11/1995 Perry ..... B65D 81/3886  
220/62.11

8,251,247 B1 \* 8/2012 Breckner ..... A47G 23/0266  
220/592.16  
2008/0164269 A1 \* 7/2008 Vorderkunz ..... B65D 81/3874  
220/739  
2011/0192859 A1 \* 8/2011 Belford ..... B65D 81/3876  
220/739

\* cited by examiner

*Primary Examiner* — Terry A Wallace

(74) *Attorney, Agent, or Firm* — Hulsey P.C.

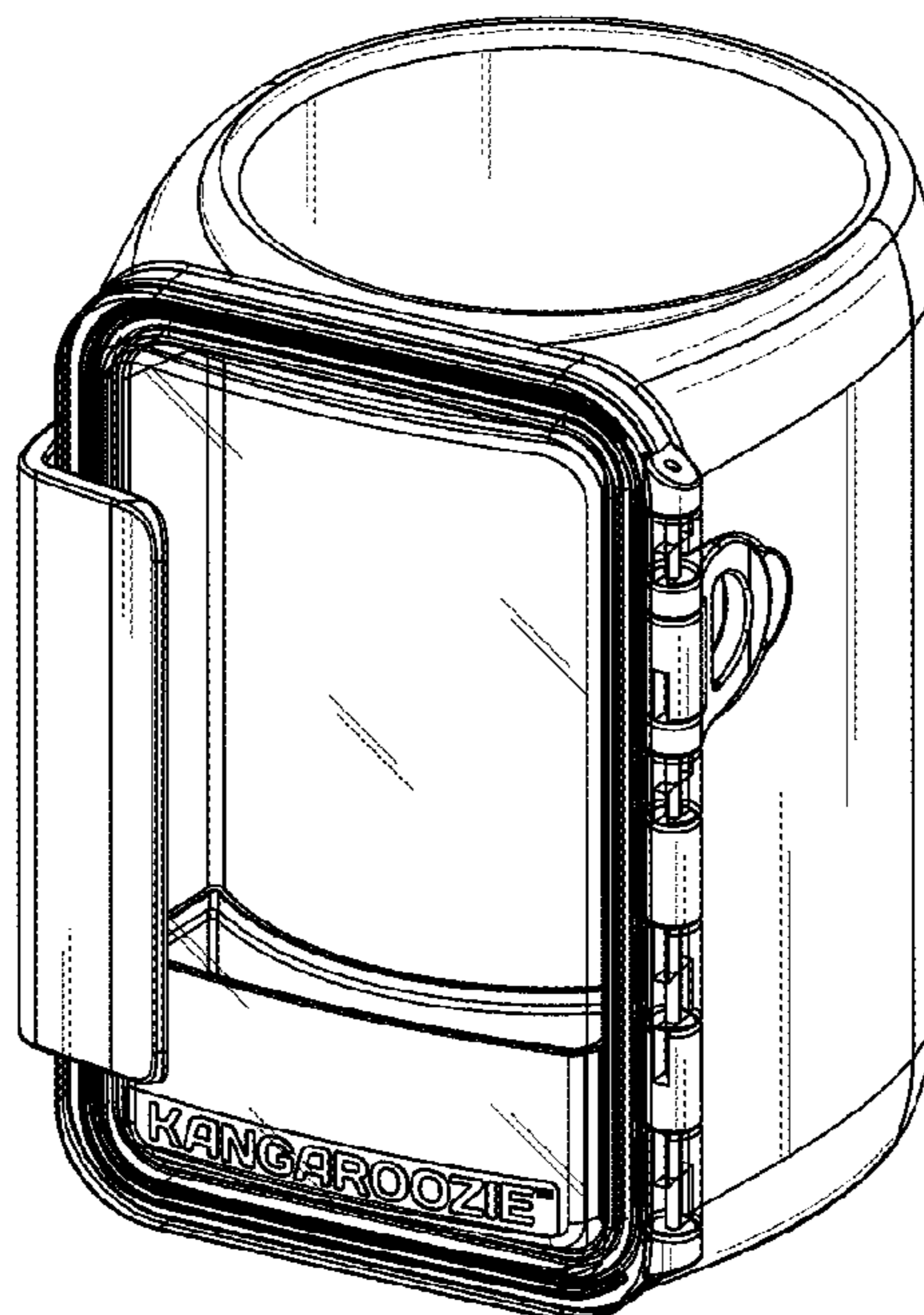
(57) **CLAIM**

The ornamental design for a portable device for protecting personal items while keeping a beverage cold, as shown and described.

**DESCRIPTION**

FIG. 1 is a front perspective view of portable device for protecting personal items while keeping a beverage cold.  
FIG. 2 is a side perspective view of a compartmented beverage koozie, thereof.  
FIG. 3 is a front view thereof showing a transparent door.  
FIG. 4 is a rear view thereof showing a logo space on the compartmented beverage koozie.  
FIG. 5 is a side perspective view thereof.  
FIG. 6 is an opposite side perspective opposite the side perspective view of FIG. 5 thereof.  
FIG. 7 is a bottom plan view thereof; and,  
FIG. 8 is a top plan view thereof.

**1 Claim, 4 Drawing Sheets**



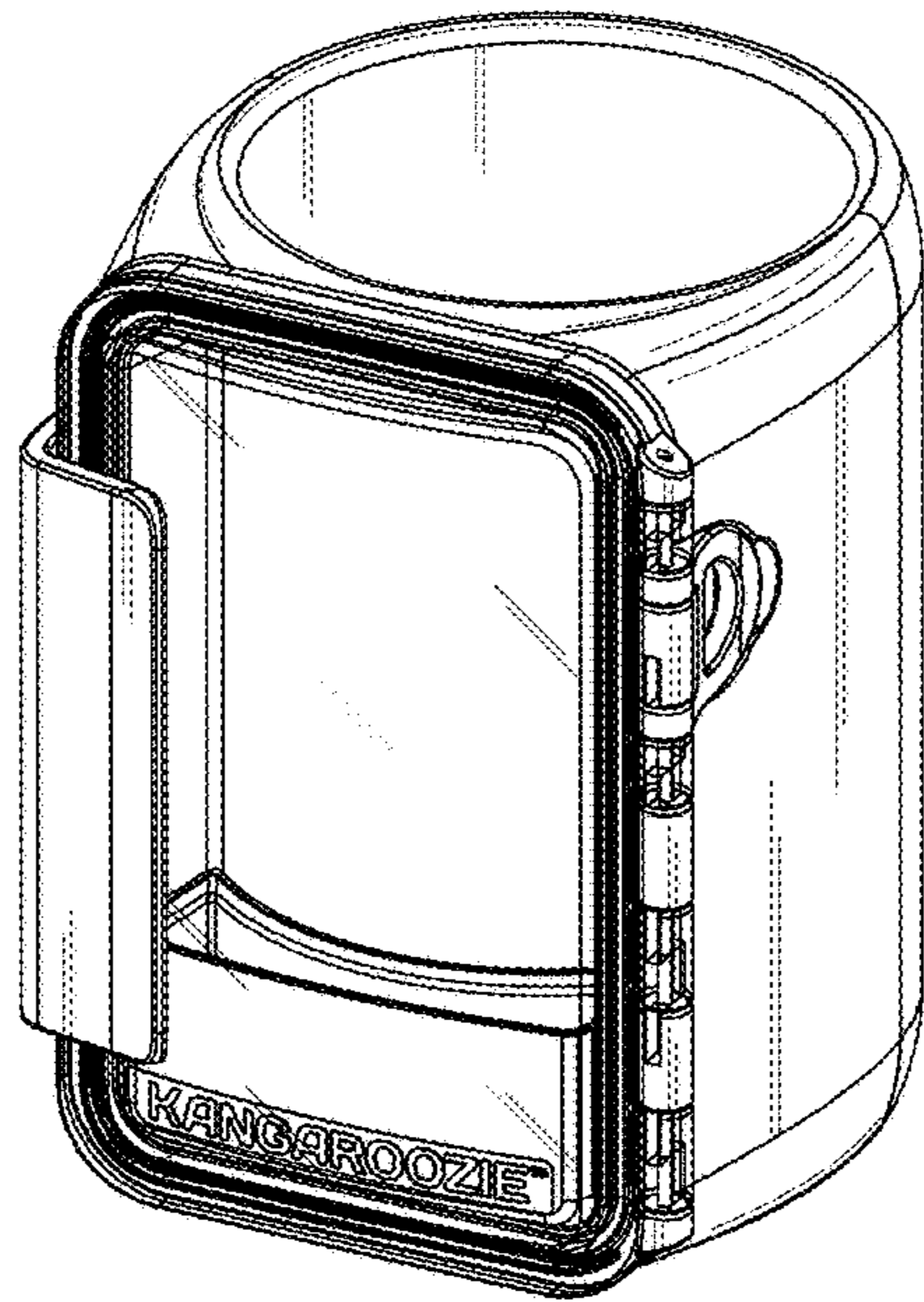


FIG. 1

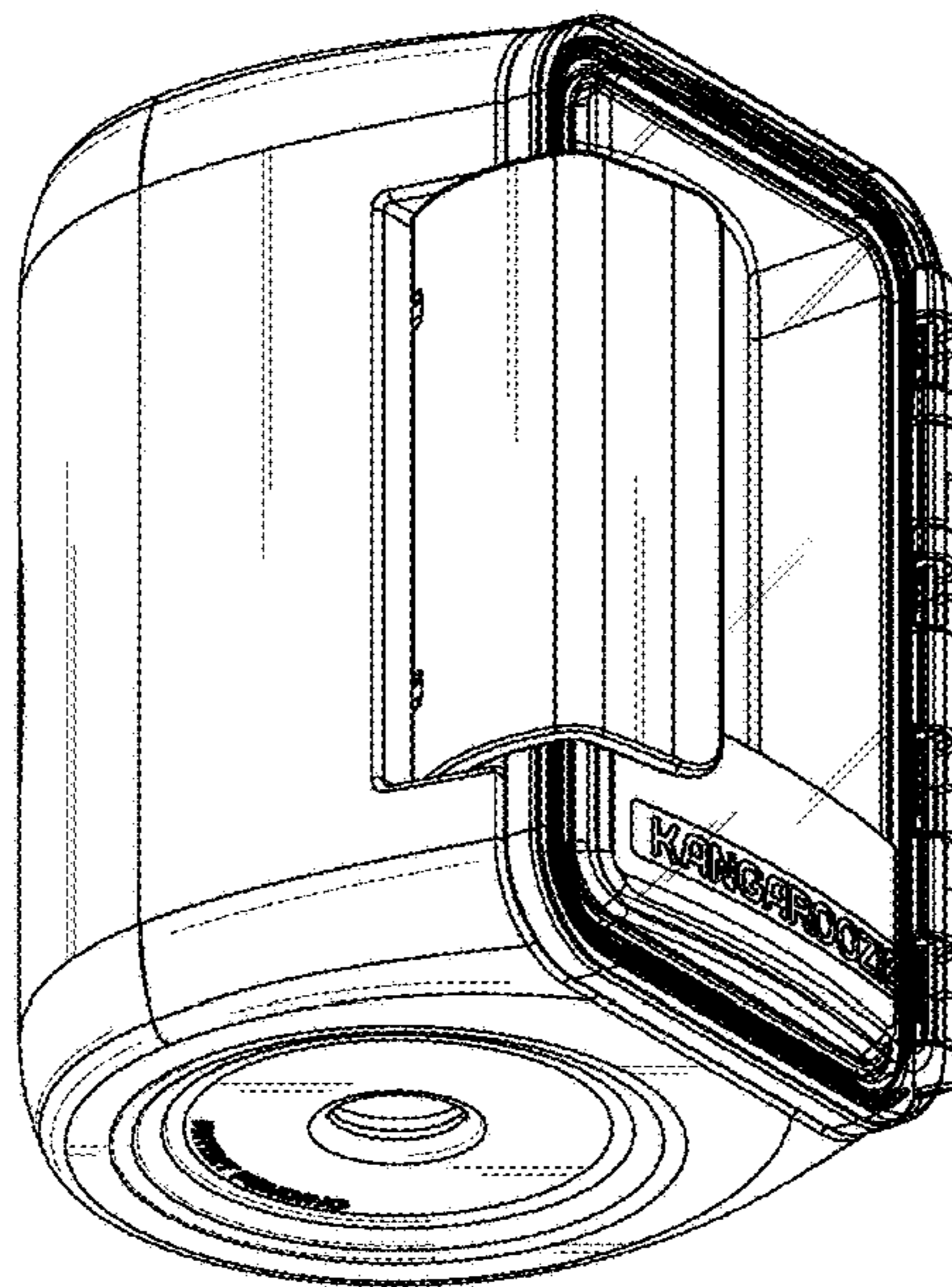


FIG. 2

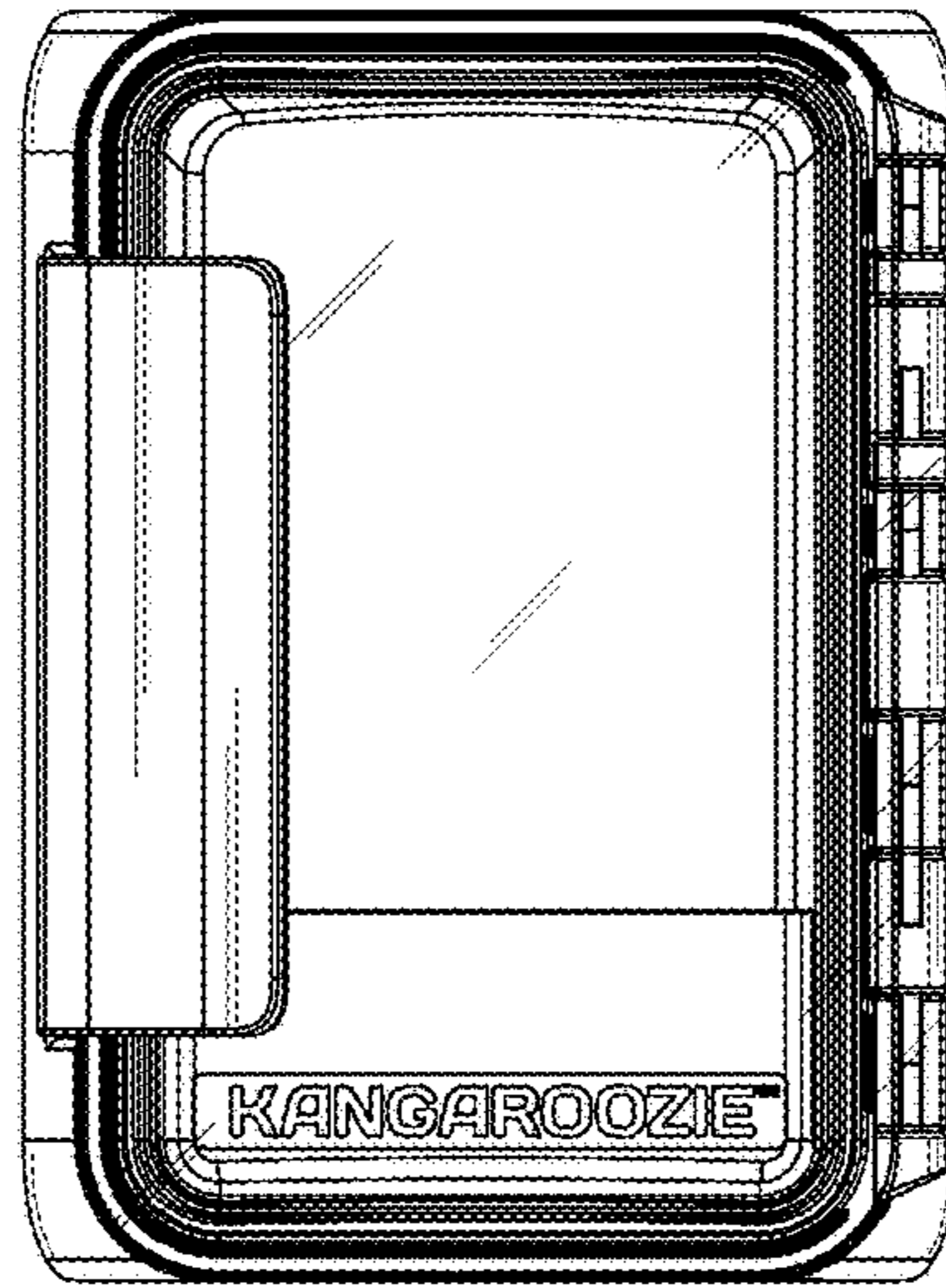


FIG. 3

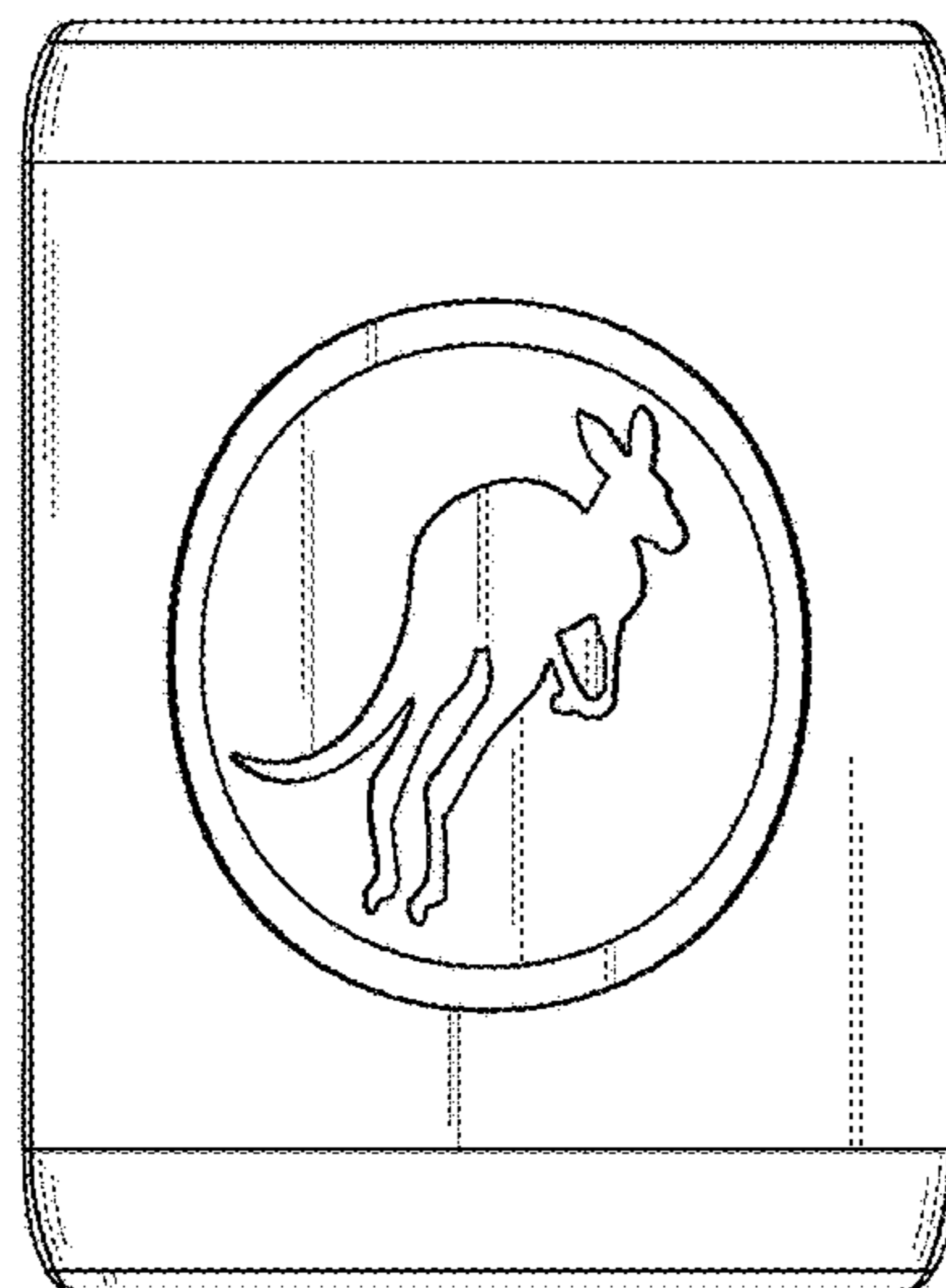


FIG. 4

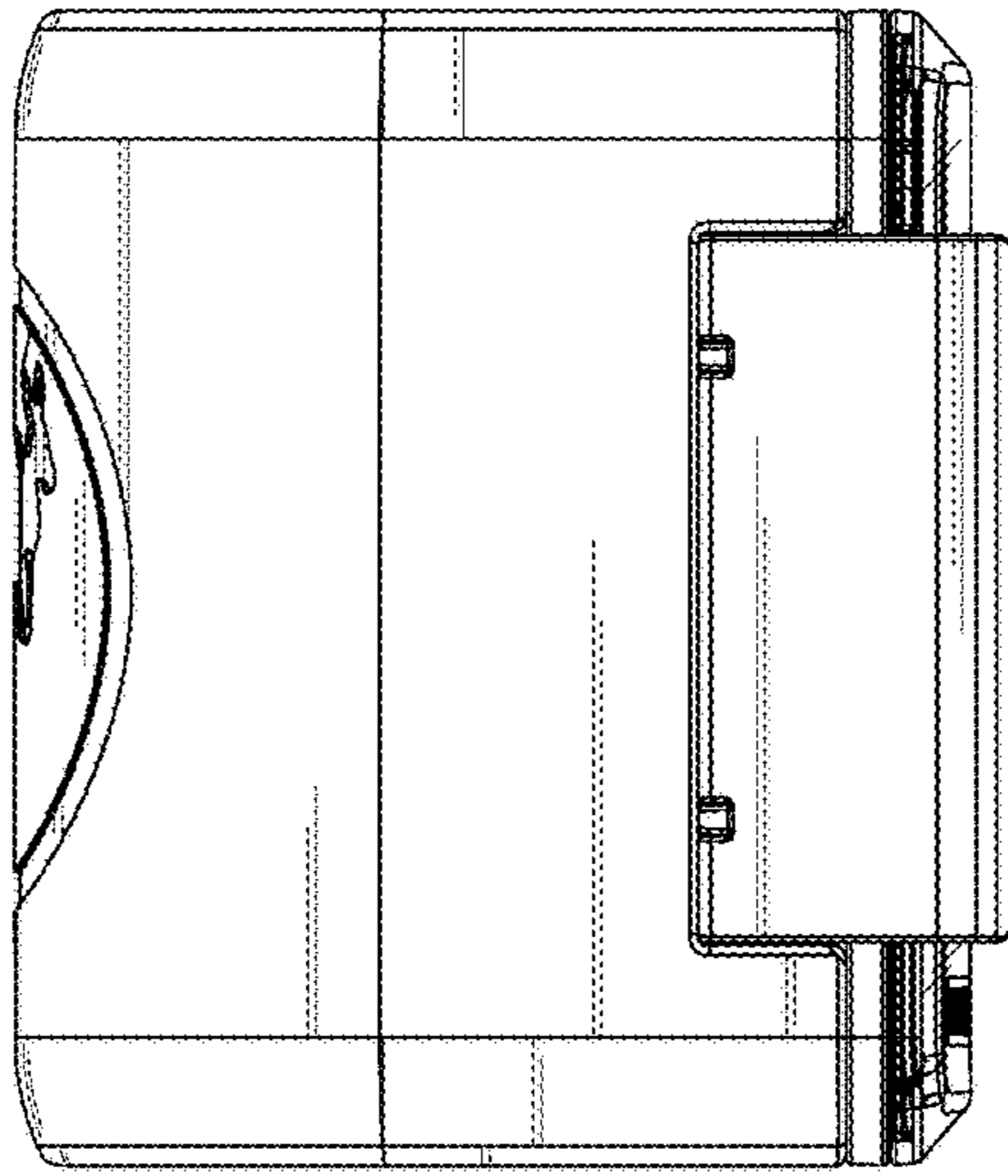


FIG. 5

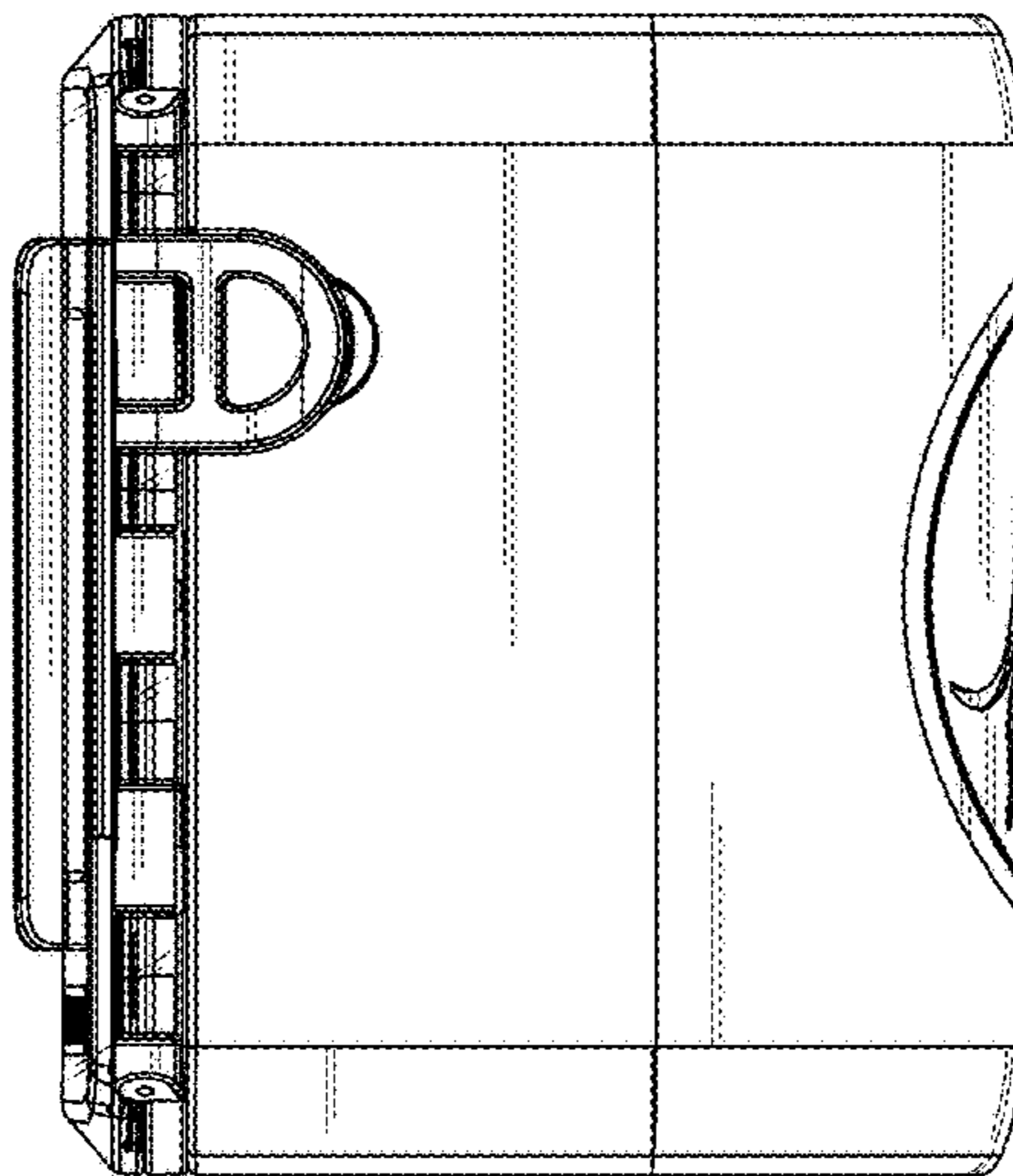


FIG. 6



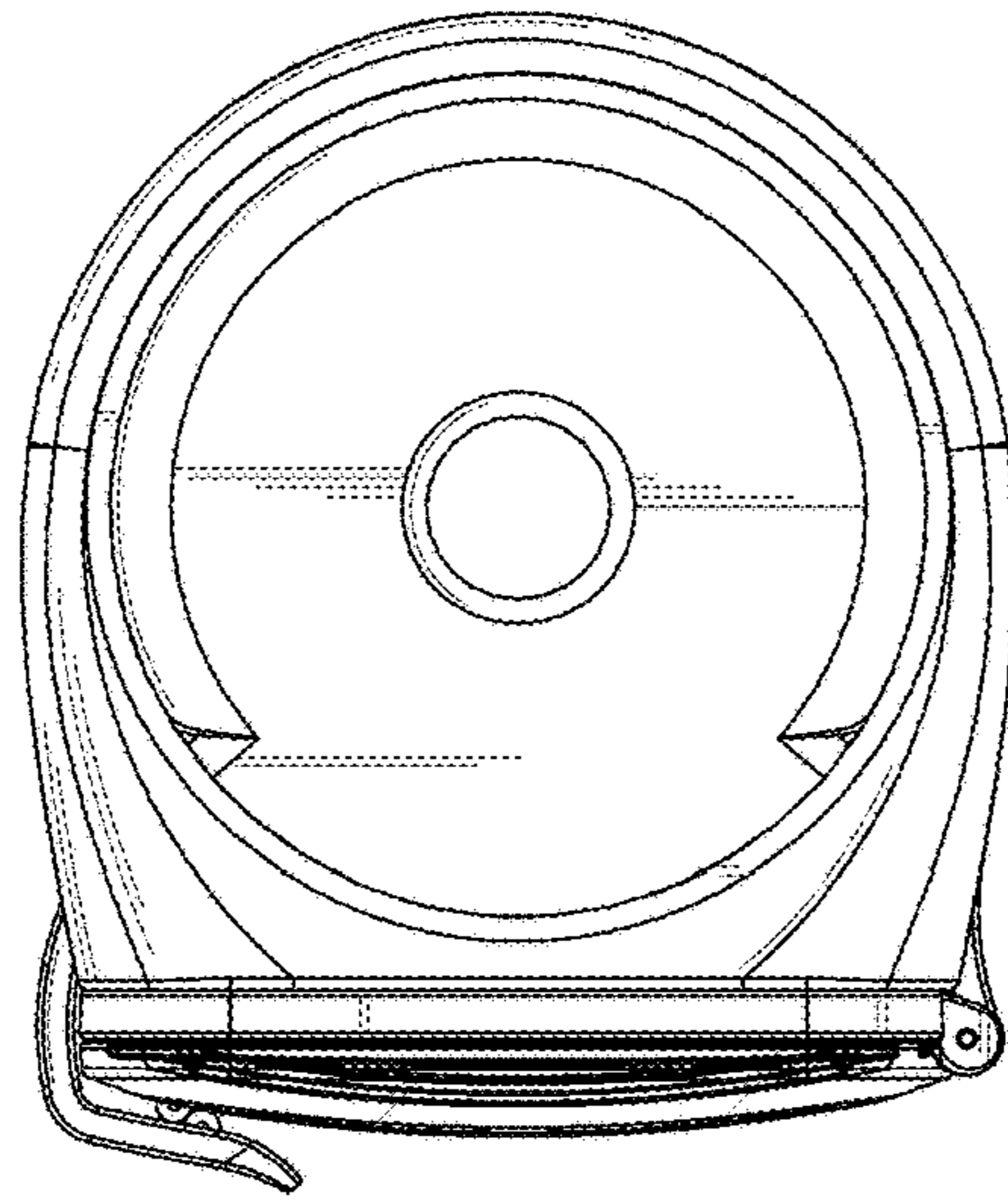


FIG. 7

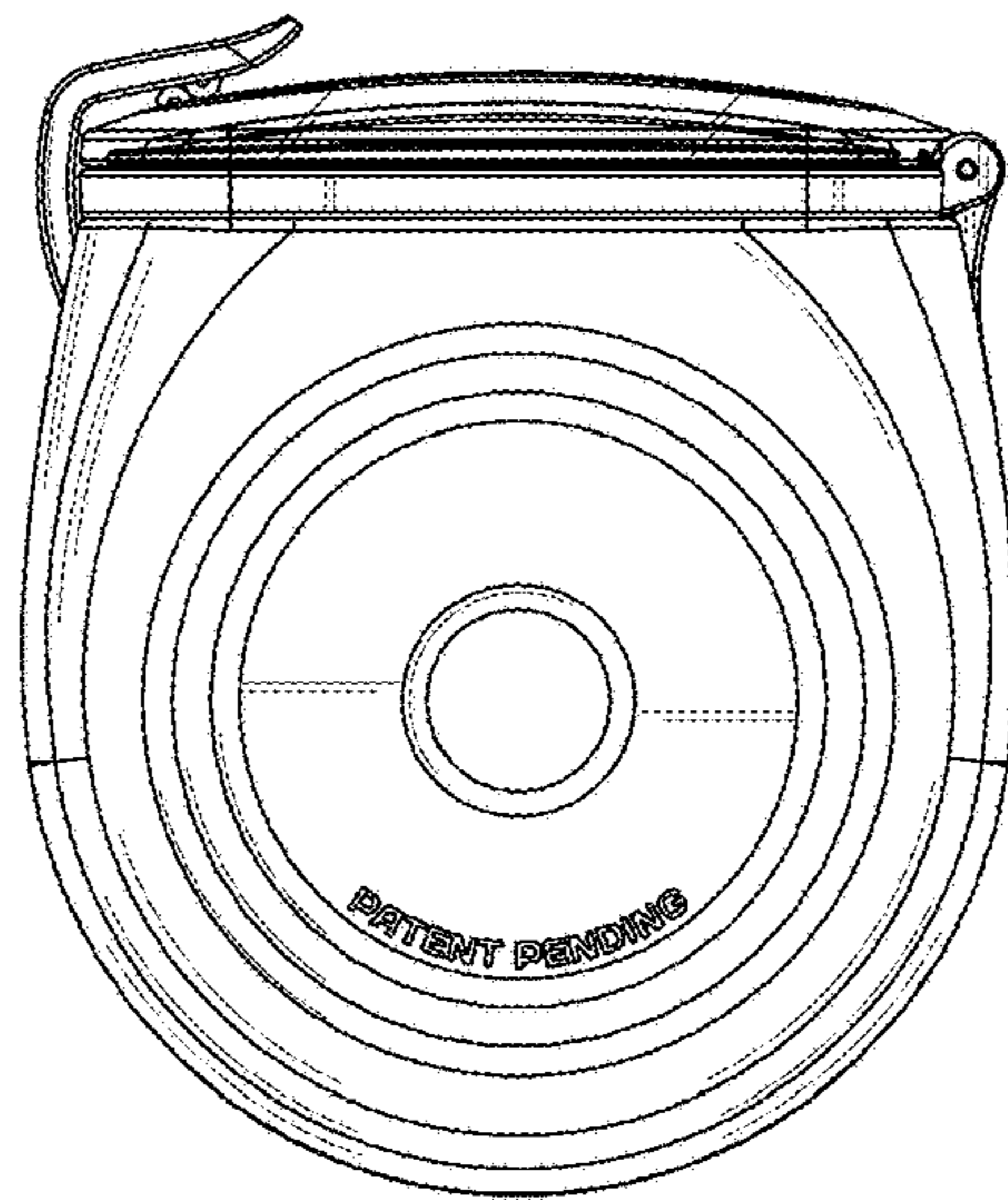


FIG. 8