

US00D841403S

(12) **United States Design Patent** (10) **Patent No.:** **US D841,403 S**  
**Cooper et al.** (45) **Date of Patent:** **\*\* Feb. 26, 2019**

(54) **ICE BUCKET WITH BEVERAGE COOLER**

FOREIGN PATENT DOCUMENTS

(71) Applicant: **Polder Products, LLC**, Oxford, CT (US)

IN 265404 \* 9/2014

(72) Inventors: **Kerry Cooper**, Pleasantville, NY (US);  
**Luke Johnson**, Huntington, CT (US)

OTHER PUBLICATIONS

Ice Bucket with Lids. Online, published date Jun. 7, 2016. Retrieved on Mar. 9, 2018 from URL: <https://www.amazon.com/Fortune-Candy-Stainless-Insulated-Buckets/dp/B076HNLF35>.\*

(73) Assignee: **Polder Products, LLC**, Oxford, CT (US)

(Continued)

(\*\*) Term: **15 Years**

*Primary Examiner* — Karen S Acker

*Assistant Examiner* — Omeed Agilee

(21) Appl. No.: **29/597,392**

(74) *Attorney, Agent, or Firm* — Duane Morris LLP

(22) Filed: **Mar. 16, 2017**

(57) **CLAIM**

(51) **LOC (11) Cl.** ..... **07-07**

The ornamental design for an ice bucket with beverage cooler, as shown and described.

(52) **U.S. Cl.**

USPC ..... **D7/603**

**DESCRIPTION**

(58) **Field of Classification Search**

USPC ..... D7/509, 523, 603–608, 619.1,  
D7/624.1–624.3, 394, 396.2, 396.4, 507,  
D7/510–511, 529, 530–533, 538–542,  
D7/629; D9/500–504, 515, 549, 559,  
D9/572–575

CPC ..... A47J 47/18; A47G 23/0241

See application file for complete search history.

FIG. 1 is an isometric view of the ice bucket with beverage cooler, shown without an ice chamber lid and a beverage chamber lid;

FIG. 2 is a front view thereof;

FIG. 3 is a rear view thereof;

FIG. 4 is a side view thereof;

FIG. 5 is an opposite side view thereof;

FIG. 6 is a top plan view thereof;

FIG. 7 is a bottom plan view thereof; and,

FIG. 8 is an isometric view of the ice bucket with beverage cooler of FIG. 1 including a first lid positioned over the ice chamber and a second lid positioned over the beverage chamber.

The interior surfaces of the ice bucket with beverage cooler form no part of the claimed design. All areas and broken lines adjacent to shaded areas in FIGS. 1 and 6 depict portions of the article that form no part of the claimed design. The broken lines in FIG. 7 depict features of the ice bucket with beverage cooler that form no part of the claimed design.

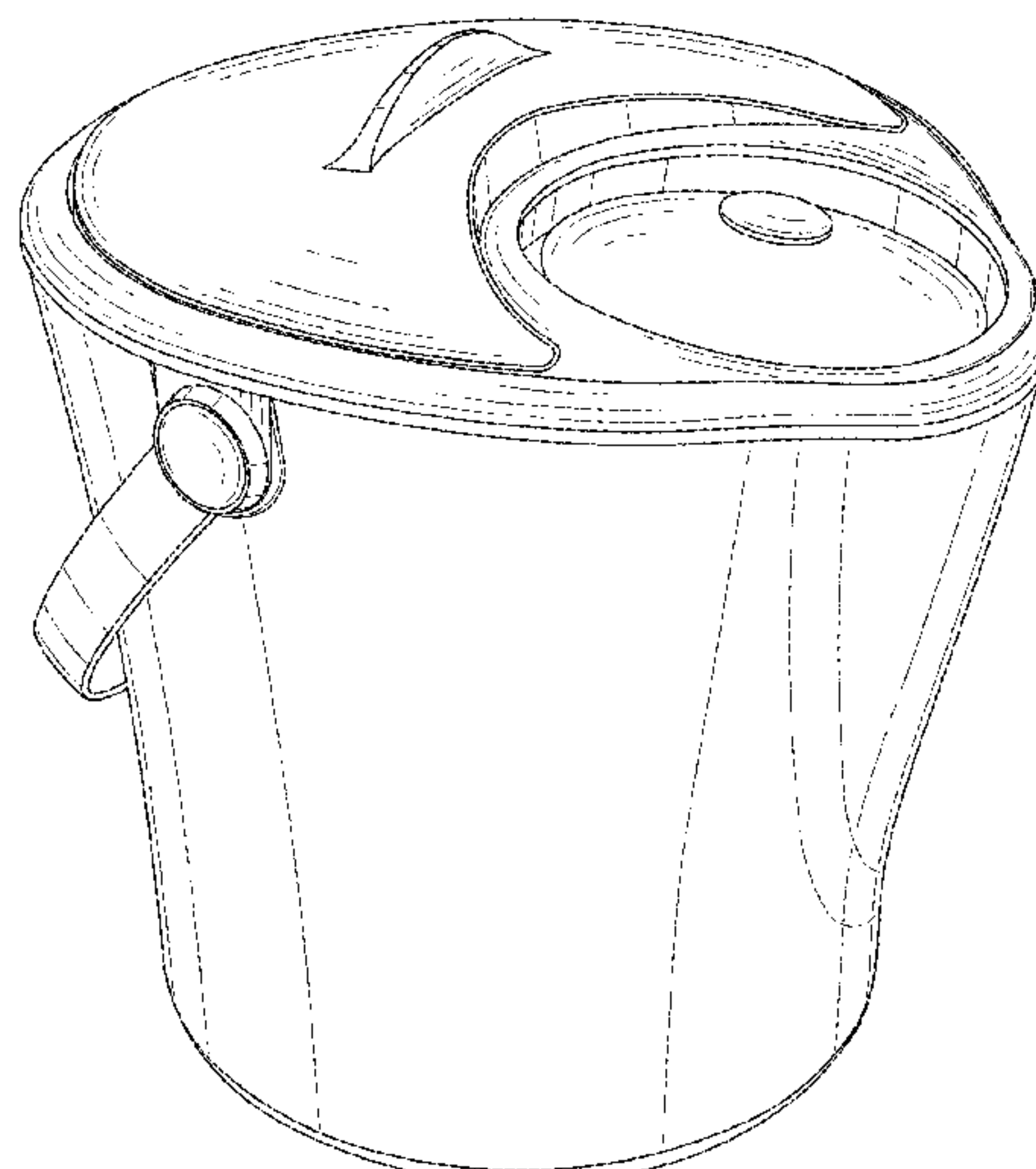
(56) **References Cited**

U.S. PATENT DOCUMENTS

2,487,400	A *	11/1949	Tupper	.....	B65D 39/04
					206/819
2,620,006	A *	12/1952	Sorron-Zabala	.....	A47J 47/18
					206/524.5
D289,955	S *	5/1987	Buist	.....	D7/507
D294,445	S *	3/1988	Jorgensen	.....	D7/603
D315,476	S *	3/1991	Sun	.....	D7/603
D368,627	S *	4/1996	McSpadden	.....	D7/549
D446,081	S *	8/2001	Schulein	.....	D7/543
D460,322	S *	7/2002	Orr	.....	D7/510
D531,461	S *	11/2006	Littmann	.....	D7/629

(Continued)

**1 Claim, 8 Drawing Sheets**



(56)

**References Cited**

## U.S. PATENT DOCUMENTS

D604,993 S \* 12/2009 Vernes ..... D7/545  
D606,810 S \* 12/2009 Clark ..... D7/545  
D620,791 S \* 8/2010 Grajcar ..... D9/428  
D632,171 S \* 2/2011 Grajcar ..... D9/429  
D652,254 S \* 1/2012 Dancsecs ..... D7/510  
D669,368 S \* 10/2012 Ehrmann ..... D9/424  
D727,684 S \* 4/2015 Forsyth ..... D7/510  
D772,644 S \* 11/2016 Kestenbaum ..... D7/399  
D800,503 S \* 10/2017 Notheis ..... D7/523  
D810,511 S \* 2/2018 Harrington, III ..... D7/511  
2008/0149219 A1 \* 6/2008 Gitelis ..... A47J 47/18  
141/312  
2009/0294318 A1 \* 12/2009 Monahan ..... B65D 25/56  
206/459.5  
2012/0055192 A1 3/2012 Savarese  
2016/0060004 A1 \* 3/2016 Dunn ..... A47G 19/02  
222/144.5

## OTHER PUBLICATIONS

Polder Chill Station. Online, published date Nov. 3, 2017. Retrieved on Mar. 9, 2018 from URL: [https://www.amazon.com/Polder-Chill-Station-Combined-insulated/dp/B0775GM5H/ref=sr\\_1\\_1?ie=UTF8&qid=1520620906&sr=8-1&keywords=polder+chill+station.\\*](https://www.amazon.com/Polder-Chill-Station-Combined-insulated/dp/B0775GM5H/ref=sr_1_1?ie=UTF8&qid=1520620906&sr=8-1&keywords=polder+chill+station.*)  
[https://www.amazon.com/Old-Dutch-Antique-Embossed-Chiller/dp/B000UCOZBS/ref=sr\\_1\\_2?s=kitchen&ie=UTF8&qid=1471528828&sr=1-2&keywords=two+compartment, Aug. 18, 2016.](https://www.amazon.com/Old-Dutch-Antique-Embossed-Chiller/dp/B000UCOZBS/ref=sr_1_2?s=kitchen&ie=UTF8&qid=1471528828&sr=1-2&keywords=two+compartment, Aug. 18, 2016.)  
<http://www.wayfair.com/Old-Dutch-International-Decor-Copper-Double-Chiller-882-OI1088.html, Aug. 18, 2016.>

\* cited by examiner

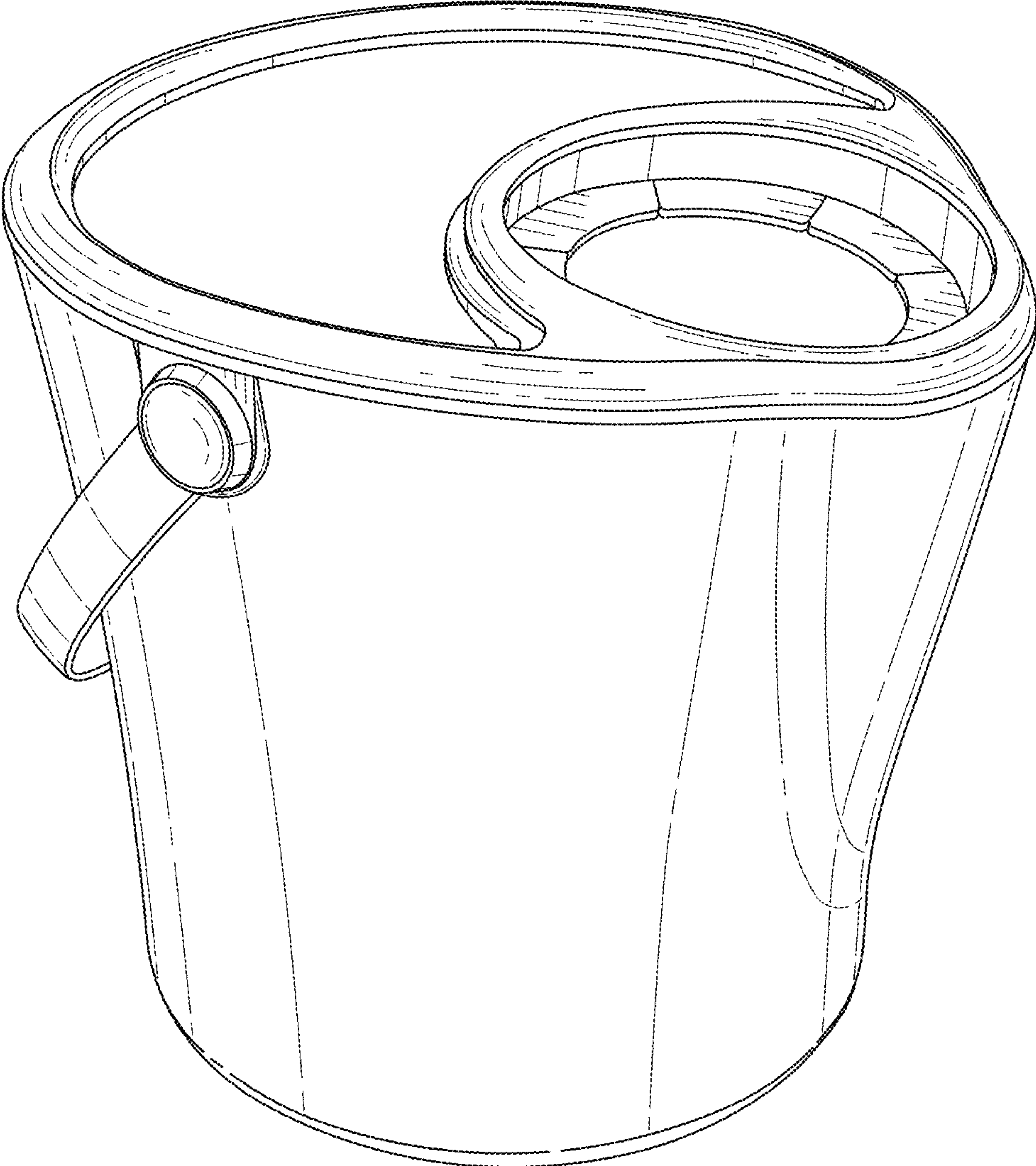


FIG. 1

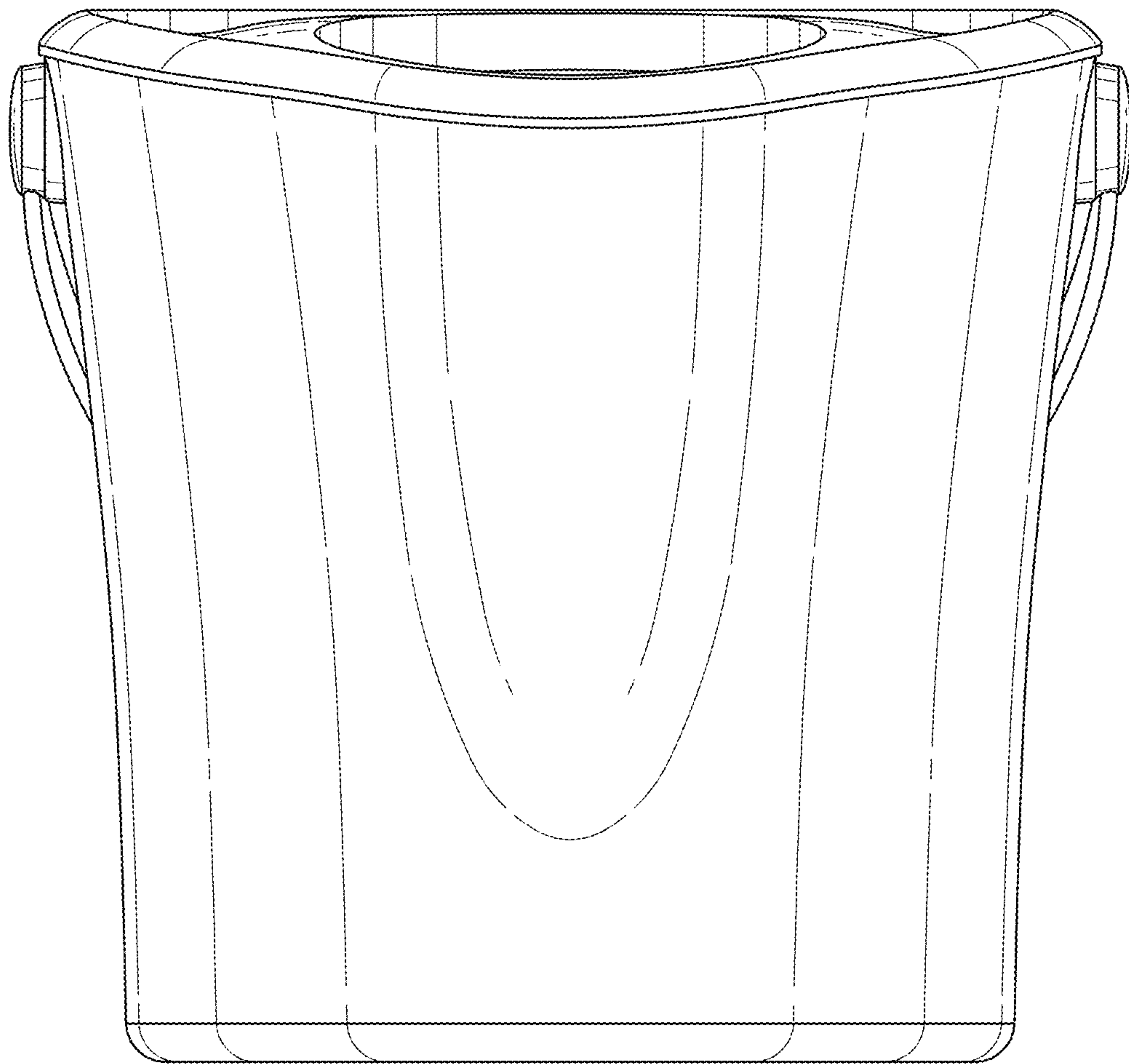


FIG. 2



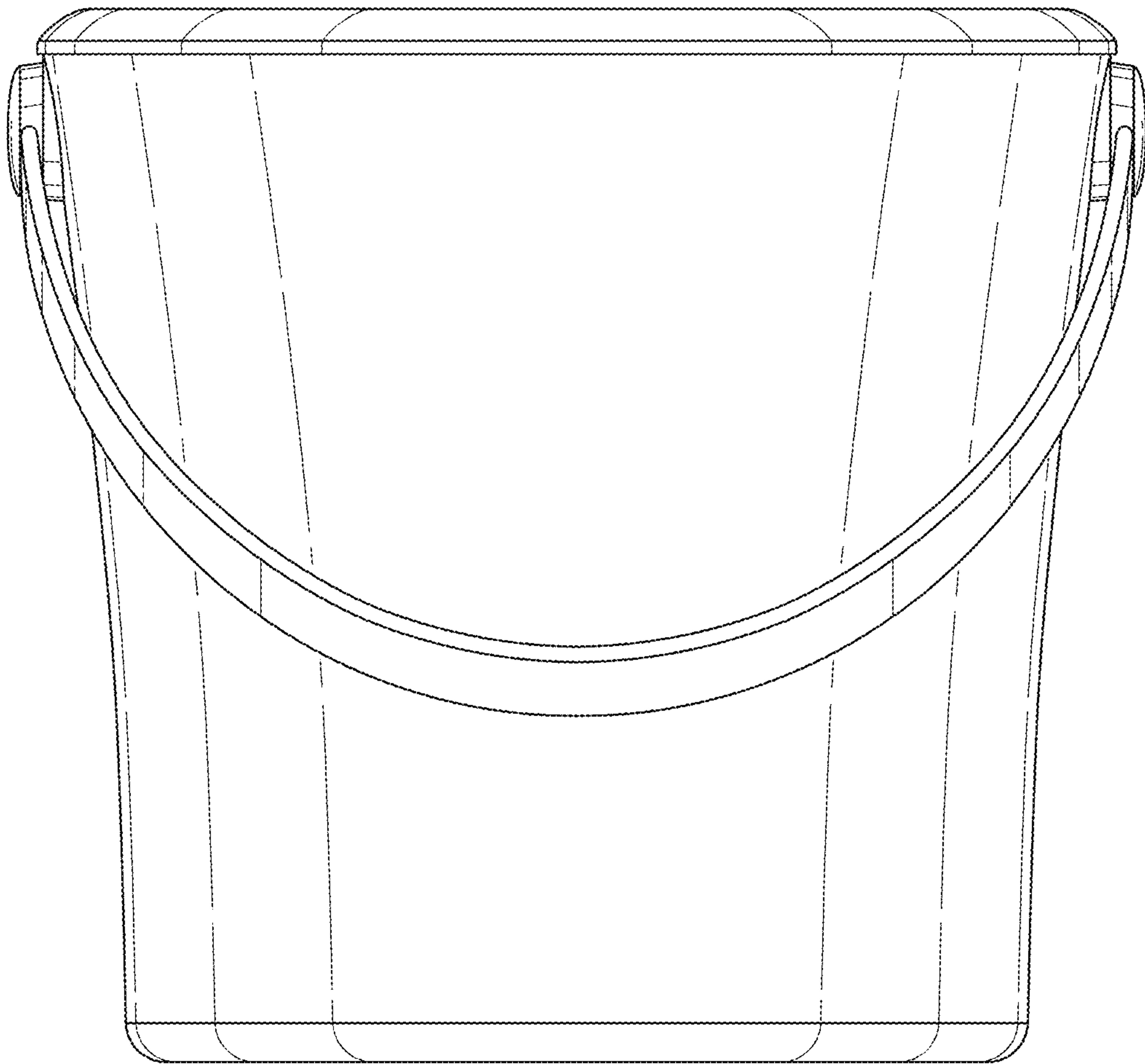


FIG. 3

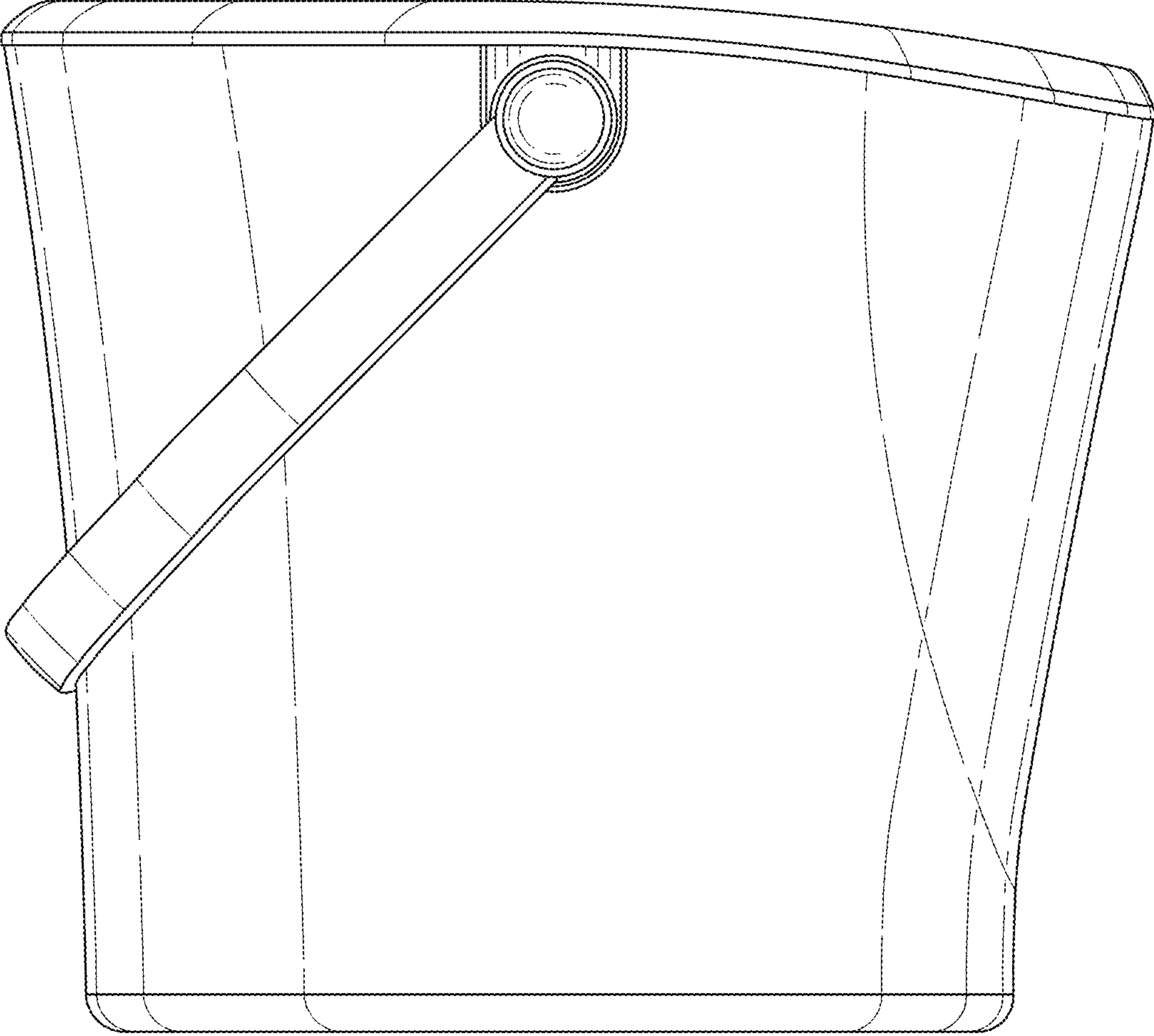


FIG. 4

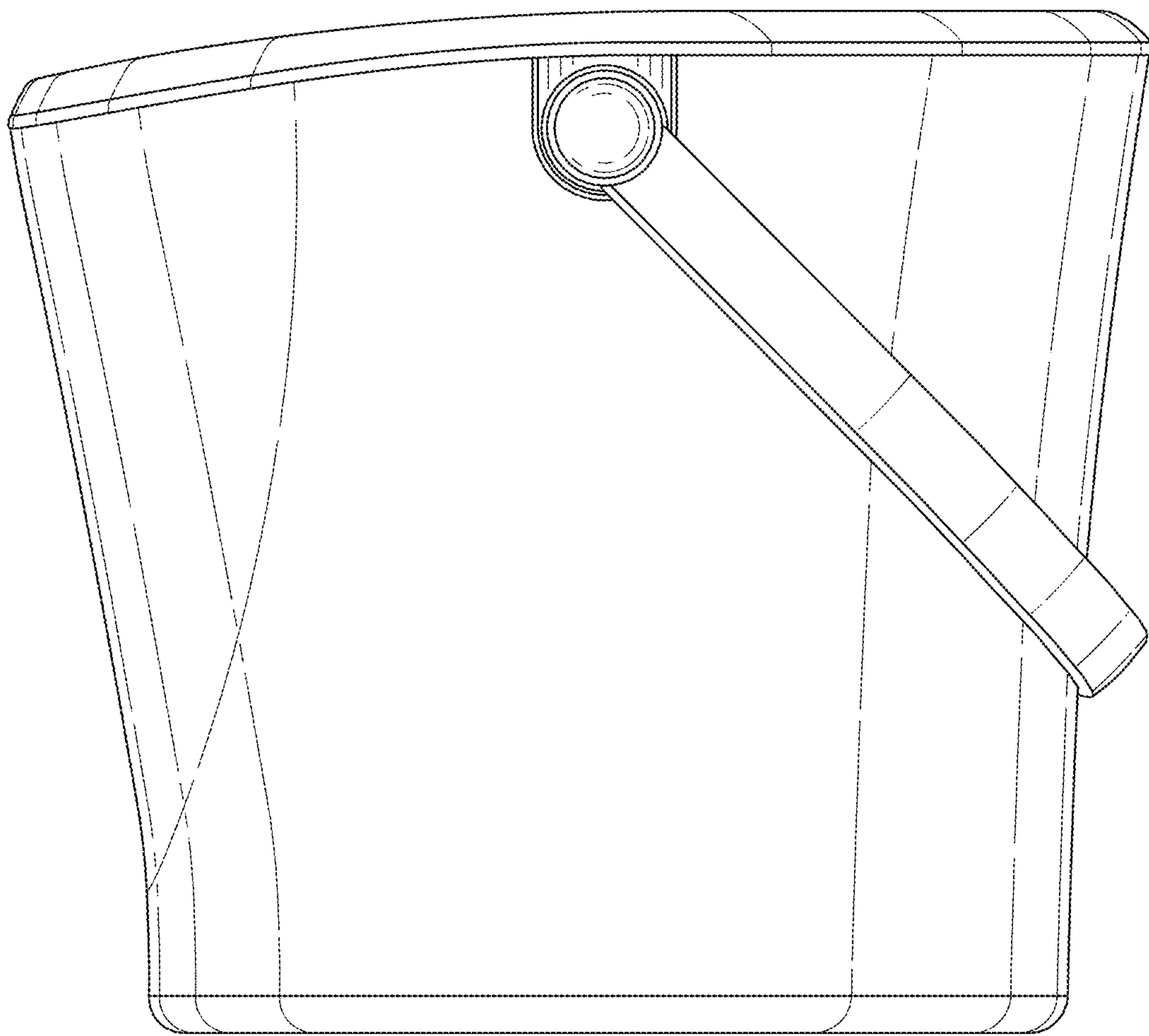


FIG. 5

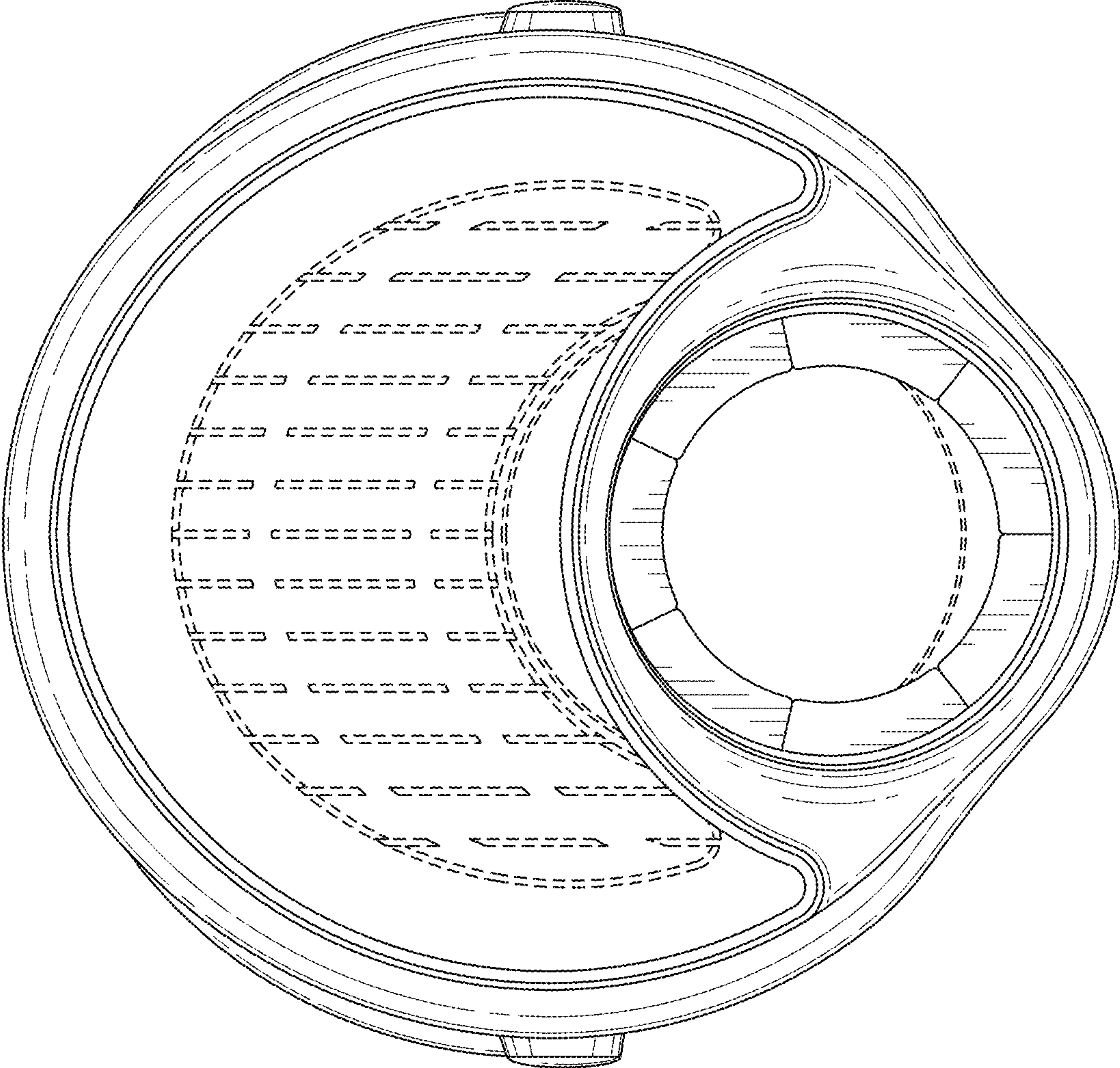


FIG. 6



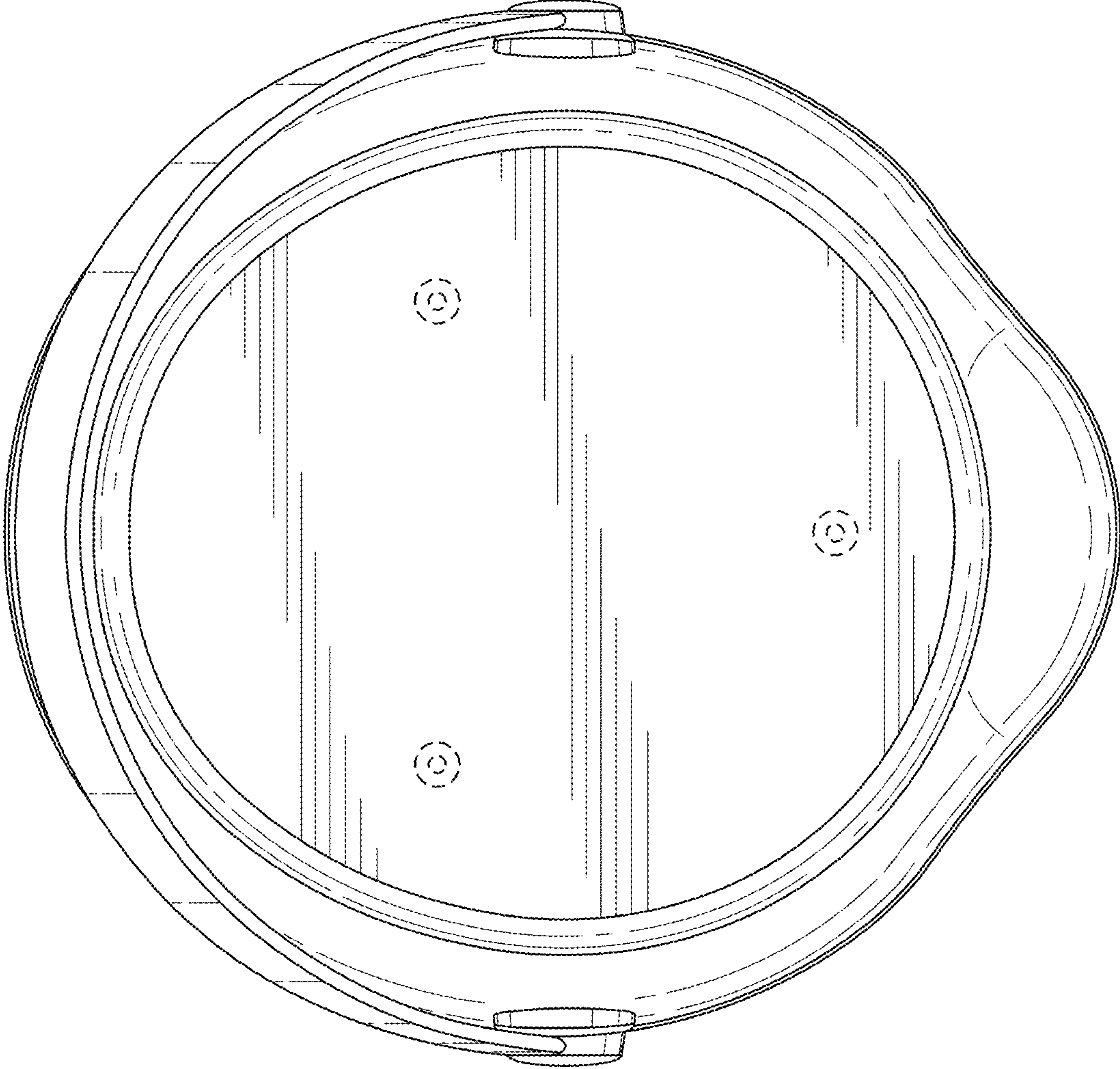


FIG. 7

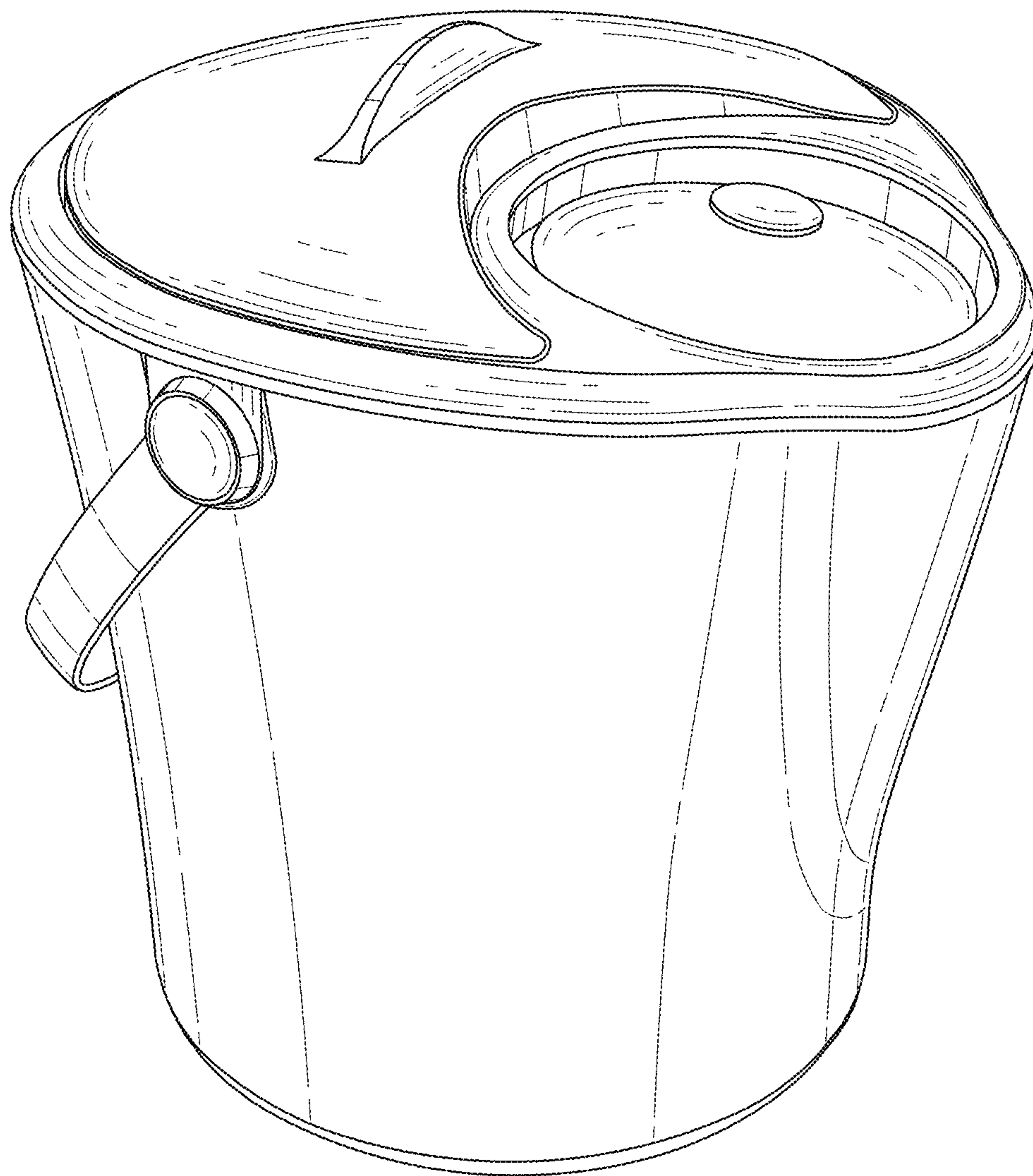


FIG. 8