



US00D841399S

(12) **United States Design Patent** (10) **Patent No.:** **US D841,399 S**
Karl, IV et al. (45) **Date of Patent:** **** Feb. 26, 2019**

(54) **HYDRATION BLADDER**

FOREIGN PATENT DOCUMENTS

(71) Applicant: **Shock Doctor, Inc.**, Minnetonka, MN (US)

CA 2681941 A1 4/2011
CN 301787340 S 1/2012

(Continued)

(72) Inventors: **Adam Peter Karl, IV**, Burlington, VT (US); **Benjamin Casey Lanza**, Sheldon, VT (US); **James Creath Frazier**, Hinesburg, VT (US); **Bradley Philip Fishkin**, Burlington, VT (US); **Faith LeAnn Piotrowski**, Warminster, PA (US)

OTHER PUBLICATIONS

Barnhart, Adam, Hydrapak SoftFlask Review <http://www.irunfar.com/2014/02/hydrapak-softflask-review.html>, available Feb. 6, 2014, accessed May 6, 2016, 8 pages.

(Continued)

(73) Assignee: **Shock Doctor, Inc.**, Minnetonka, MN (US)

Primary Examiner — Derrick E Holland

Assistant Examiner — Andrew Kerr

(**) Term: **15 Years**

(74) *Attorney, Agent, or Firm* — Faegre Baker Daniels LLP

(21) Appl. No.: **29/612,642**

(57) **CLAIM**

The ornamental design for hydration bladder, as shown and described.

(22) Filed: **Aug. 2, 2017**

DESCRIPTION

Related U.S. Application Data

(62) Division of application No. 29/566,912, filed on Jun. 3, 2016, now Pat. No. Des. 796,903.

(51) **LOC (11) Cl.** **07-01**

(52) **U.S. Cl.**

USPC **D7/512**

(58) **Field of Classification Search**

USPC D9/516, 523, 525, 695, 696, 697, 698, D9/699; D24/108, 207; D7/509-512, D7/523, 396.2

(Continued)

(56) **References Cited**

U.S. PATENT DOCUMENTS

2,463,651 A 3/1949 Stevens
D185,649 S 7/1959 Schlumbohm

(Continued)

FIG. 1 is a front perspective view of a hydration bladder illustrating our new design in an unfilled state;

FIG. 2 is a front view thereof;

FIG. 3 is a back view thereof;

FIG. 4 is a left side view thereof;

FIG. 5 is a right side view thereof;

FIG. 6 is a top view thereof;

FIG. 7 is a bottom view thereof;

FIG. 8 is a front perspective view of the hydration bladder illustrating our new design in a filled state;

FIG. 9 is a front view thereof;

FIG. 10 is a back view thereof;

FIG. 11 is a left side view thereof;

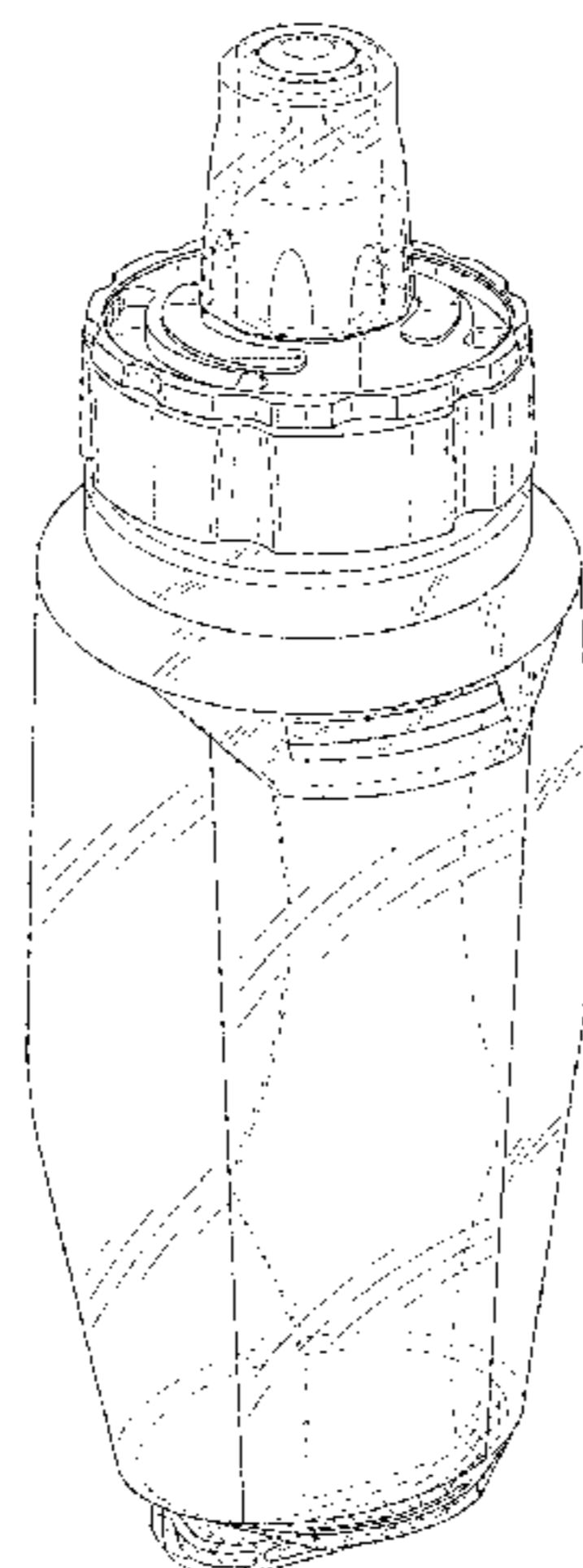
FIG. 12 is a right side view thereof;

FIG. 13 is a top view thereof; and,

FIG. 14 is a bottom view thereof.

The broken lines in the drawing views represent environmental structure and form no part of the claimed design.

1 Claim, 12 Drawing Sheets



- (58) **Field of Classification Search**
 CPC A47G 19/22; A47G 19/2266; A47G
 2019/2277; A47J 43/27; A45F 3/16
 See application file for complete search history.

(56) **References Cited**

U.S. PATENT DOCUMENTS

3,426,940	A	2/1969	Broerman
3,822,720	A	7/1974	Souza
D249,111	S	8/1978	Geyer
4,486,043	A	12/1984	Rais
4,552,396	A	11/1985	Rais
4,660,876	A	4/1987	Weldin et al.
4,703,863	A	11/1987	Kohus
D295,259	S	4/1988	Goettner
D312,878	S	12/1990	Mariol
D313,075	S	12/1990	Mariol
D350,672	S	9/1994	Egger et al.
5,409,151	A	4/1995	Freimark
5,413,231	A	5/1995	Carroll et al.
5,609,039	A	3/1997	Green et al.
D383,037	S	9/1997	Asberg
5,667,101	A	9/1997	Barrash et al.
5,671,503	A	9/1997	Uebelacker et al.
5,676,285	A	10/1997	Vinarsky
5,765,888	A	6/1998	Stack
5,803,290	A	9/1998	Bongiorno
D404,254	S	1/1999	Asberg
D417,850	S	12/1999	Miller
D425,410	S	5/2000	Berman
D427,909	S	7/2000	Doritty et al.
6,086,124	A	7/2000	Wang
6,131,780	A	10/2000	Becker
D433,625	S	11/2000	Berman
6,170,712	B1	1/2001	Kasboske
D437,549	S	2/2001	Berman
6,247,619	B1	6/2001	Gill et al.
6,385,992	B1	5/2002	Flore et al.
6,431,406	B1	8/2002	Pruett
D474,341	S	5/2003	Cantone et al.
D478,509	S	8/2003	DeCotis
D481,307	S	10/2003	Harren
D482,284	S	11/2003	Cantone et al.
6,729,665	B1	5/2004	Posey et al.
D504,610	S	5/2005	Berman
D508,413	S	8/2005	Ueda
6,981,614	B2	1/2006	Niggemyer
D528,011	S	9/2006	Ueda
D532,703	S	11/2006	Wild
7,178,687	B1	2/2007	Manderfield et al.
D538,030	S	3/2007	Karl et al.
D538,657	S	3/2007	Webb et al.
D551,568	S	9/2007	Berman
D553,008	S	10/2007	Berman
7,311,231	B2	12/2007	Noell et al.
D560,122	S	1/2008	Fuchs et al.
D581,808	S	12/2008	Schwartz
7,533,783	B2	5/2009	Choi et al.
D598,645	S *	8/2009	McSavaney D3/202
7,686,178	B2	3/2010	Grant et al.
D615,366	S	5/2010	Berezansky
D622,149	S	8/2010	Bernstein et al.
7,819,293	B1	10/2010	O'Connell
7,845,506	B2	12/2010	Willows et al.
D638,299	S	5/2011	Bernstein et al.
D644,937	S	9/2011	Ueda et al.
8,043,005	B2	10/2011	Lyon et al.
D656,038	S	3/2012	Molayem
8,152,011	B2	4/2012	Willows et al.
8,182,683	B1	5/2012	Allen
8,186,881	B2	5/2012	Lyon et al.
D662,419	S	6/2012	Potts
D678,777	S	3/2013	Neset

8,397,962	B1	3/2013	O'Connell
D679,142	S	4/2013	Allen
D681,326	S	5/2013	Willows et al.
D682,545	S	5/2013	Willow
D683,018	S *	5/2013	Herivel D24/118
D687,222	S	8/2013	Willows
D690,605	S	10/2013	Hong et al.
8,622,237	B2	1/2014	Choi et al.
8,727,153	B2	5/2014	Willows et al.
8,727,244	B2	5/2014	Bernstein et al.
8,777,048	B2	7/2014	Choi et al.
D724,954	S	3/2015	Niggemyer
D729,580	S	5/2015	Waldis et al.
D734,940	S	7/2015	Fay
D738,221	S	9/2015	White
D738,223	S	9/2015	Chan
D740,133	S	10/2015	Murray
D769,129	S	10/2016	Patterson et al.
D769,130	S	10/2016	Lederer
D796,903	S	9/2017	Karl et al.
D809,285	S *	2/2018	Sola D3/202
2005/0072804	A1	4/2005	Brown
2005/0189385	A1	9/2005	Dreyer et al.
2006/0027611	A1	2/2006	Hobbs
2006/0043127	A1	3/2006	Butler
2006/0163284	A1	7/2006	Karl et al.
2007/0108239	A1	5/2007	San Nicholas
2008/0210659	A1	9/2008	McKinney et al.
2010/0084411	A1	4/2010	Lien
2010/0176081	A1	7/2010	Kamineni et al.
2010/0206919	A1	8/2010	Boyom
2010/0308086	A1	12/2010	Chapuis
2011/0113524	A1	5/2011	Sinder
2011/0132932	A1	6/2011	Duran
2013/0075393	A1	3/2013	Haynie
2014/0183156	A1	7/2014	Hanan
2014/0202982	A1	7/2014	Willows et al.
2014/0374413	A1	12/2014	Lyon et al.
2014/0376833	A1	12/2014	Lyon et al.
2015/0053718	A1	2/2015	Lyon et al.
2015/0102058	A1	4/2015	Lyon et al.
2016/0262525	A1	9/2016	Lorbecki

FOREIGN PATENT DOCUMENTS

CN	302082943	S	9/2012
EP	0652158	A1	5/1995
EP	2617656	A1	7/2013
GB	2451667	A	2/2009
TW	580360		3/2004
WO	2009105674	A2	8/2009

OTHER PUBLICATIONS

Dusterhoff, Kurt, Inov-8 Race Ultra 0.25 Soft Flask Handheld gear review, <http://cotswoldrunning.blogspot.co.uk> (<http://cotswoldrunning.blogspot.co.uk>), available Dec. 8, 2015, accessed May 6, 2016, 6 pages.

International Application No. PCT/US2016/035778 Entitled Hand-Carried Hydration Bladder, filed Jun. 3, 2016.

International Application No. PCT/US2016/035784 Entitled Hydration Bladder Including Liquid Movement—Reducing Features, filed Jun. 3, 2016.

International Search Report and Written Opinion issued in PCT/US2016/035778, dated Apr. 2017, 18 pages.

International Search Report and Written Opinion issued in PCT/US2016/035784, dated Feb. 8, 2017, 12 pages.

Invitation to Pay Additional Fees With Partial Search Report issued in PCT/US2016/035778, dated Feb. 21, 2017, 6 pages.

Design U.S. Appl. No. 29/566,908 entitled Hydration Bladder, filed Jun. 3, 2016.

* cited by examiner

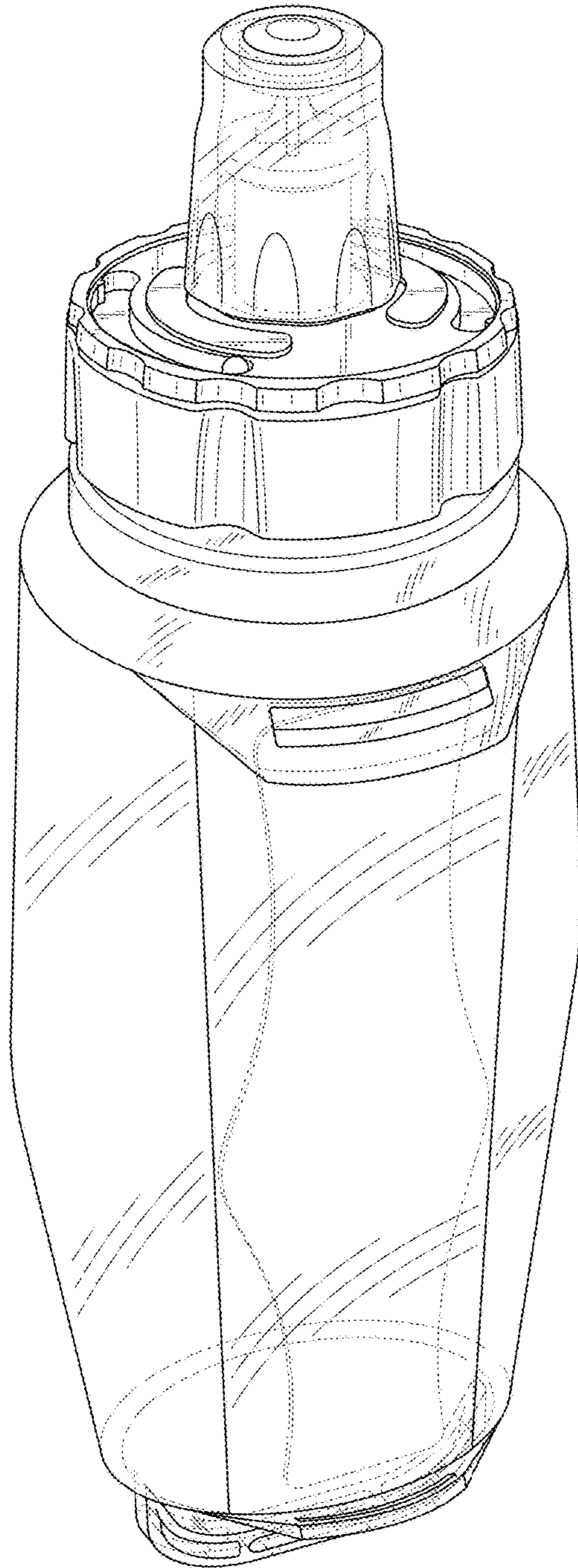


FIG. 1

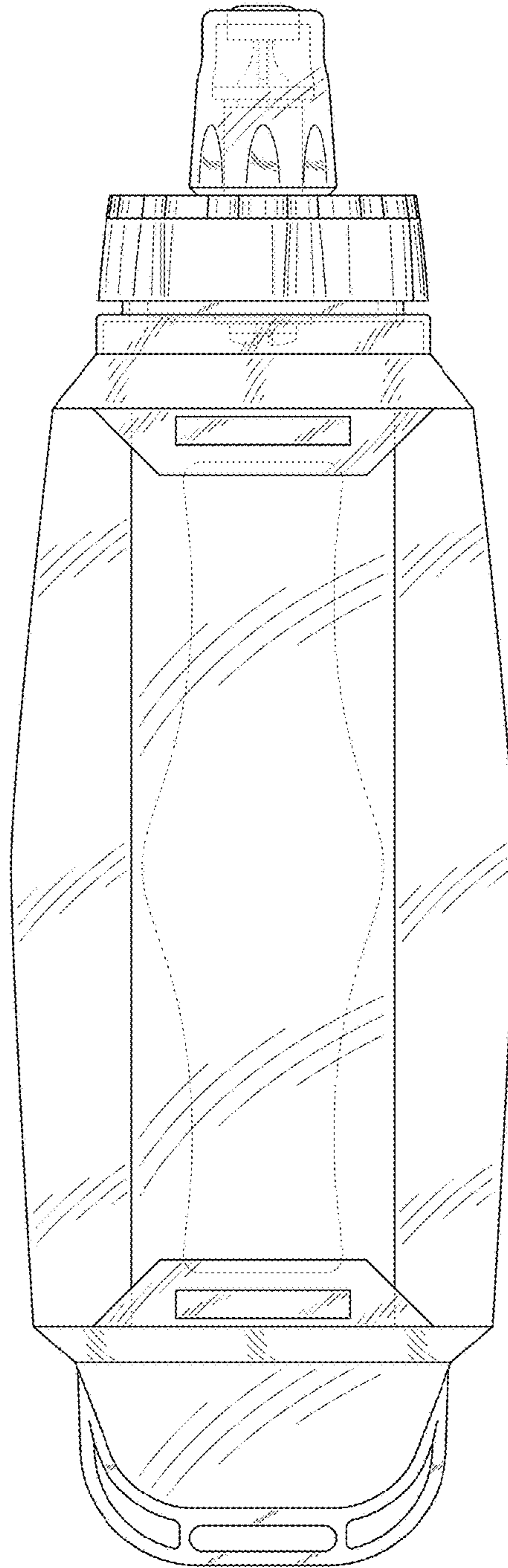


FIG. 2

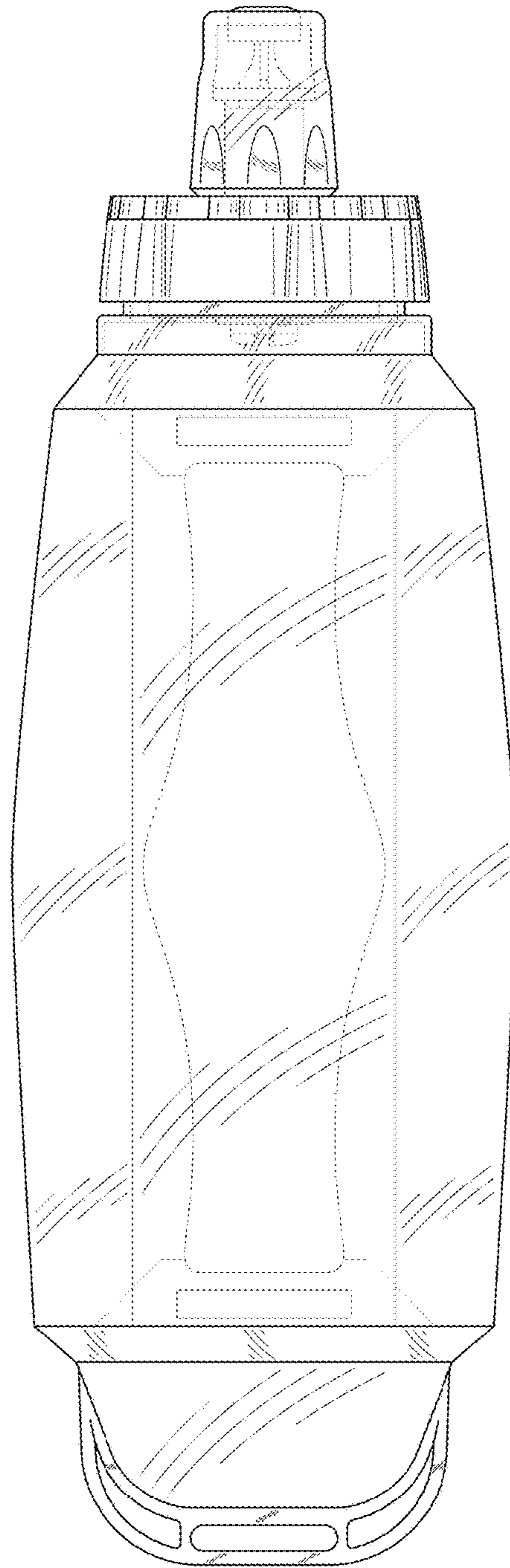


FIG. 3

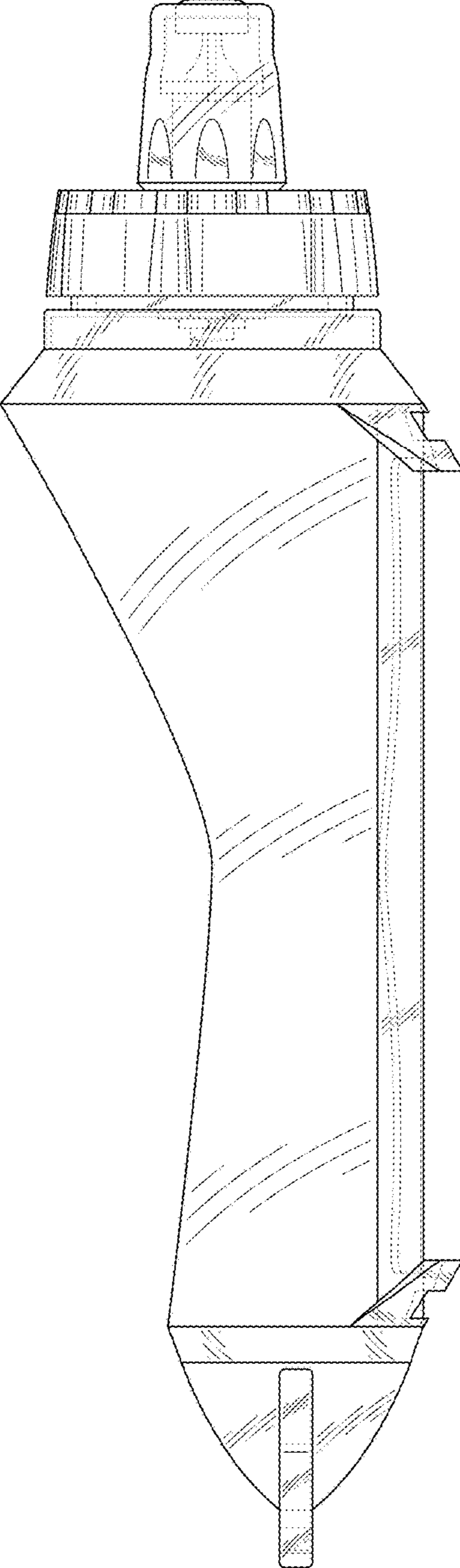


FIG. 4

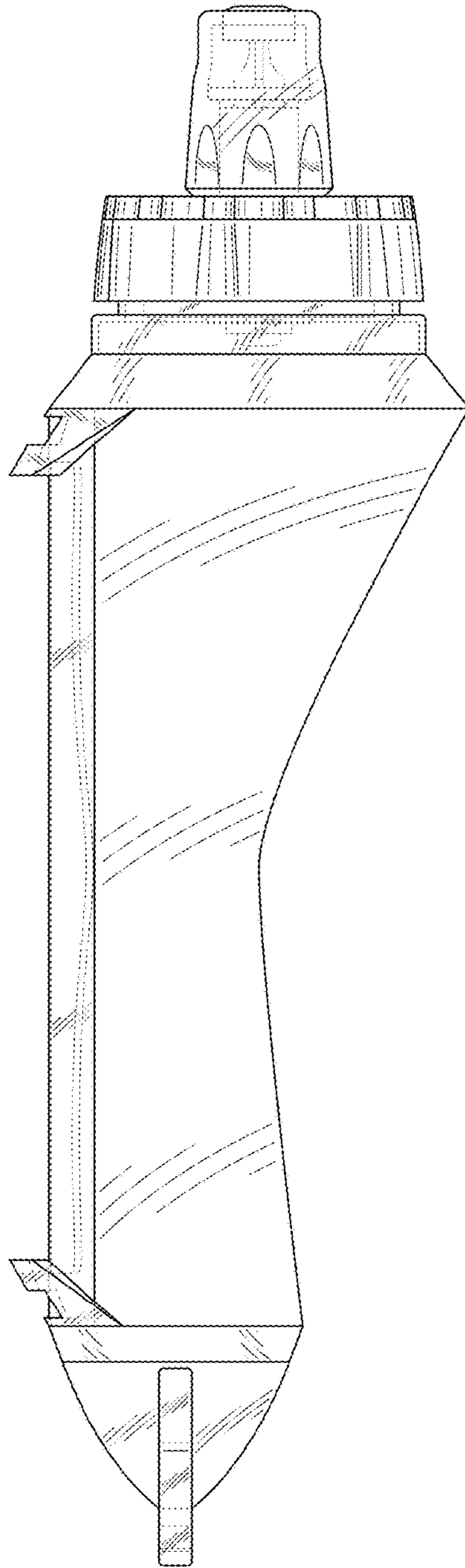


FIG. 5

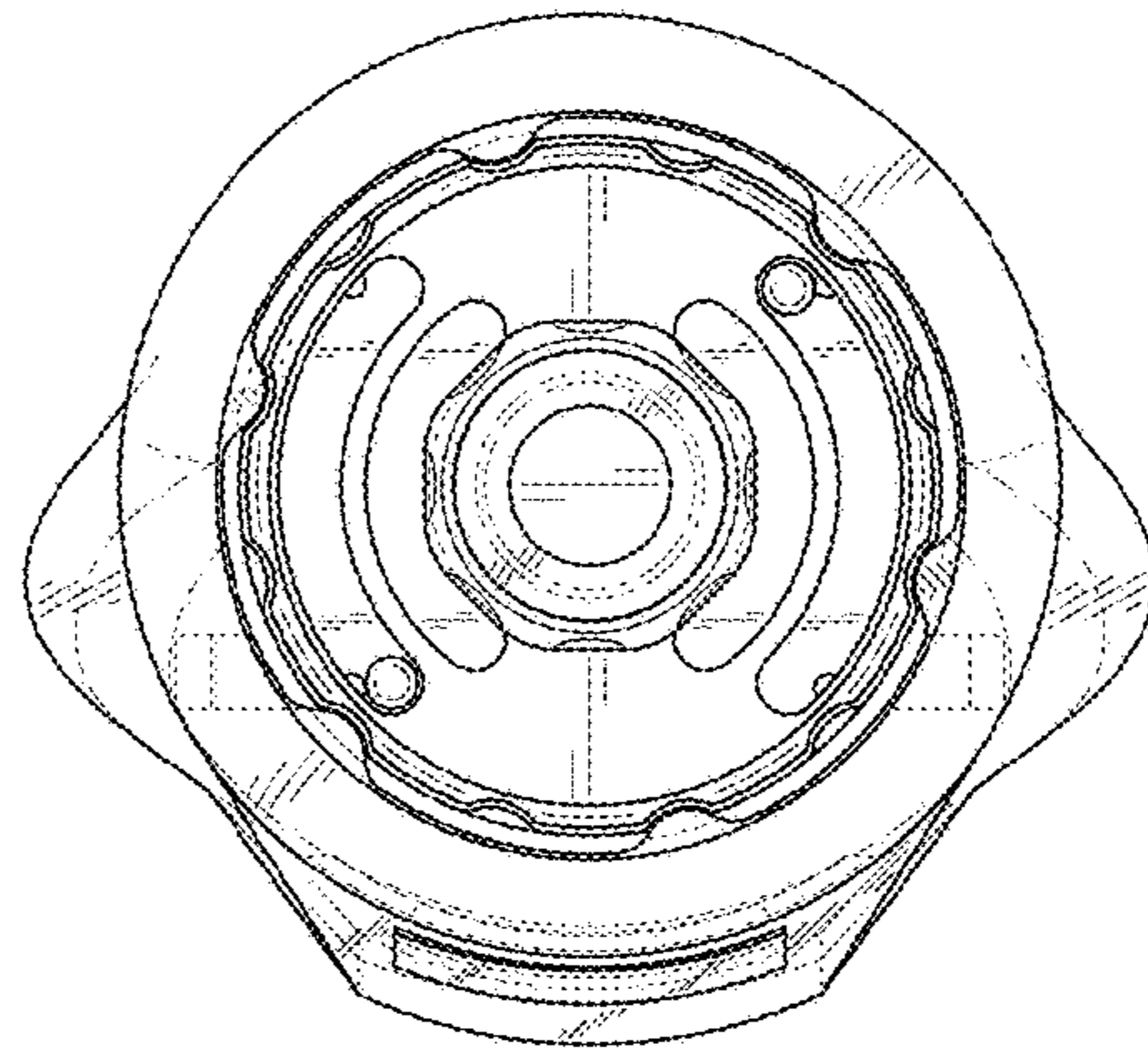


FIG. 6

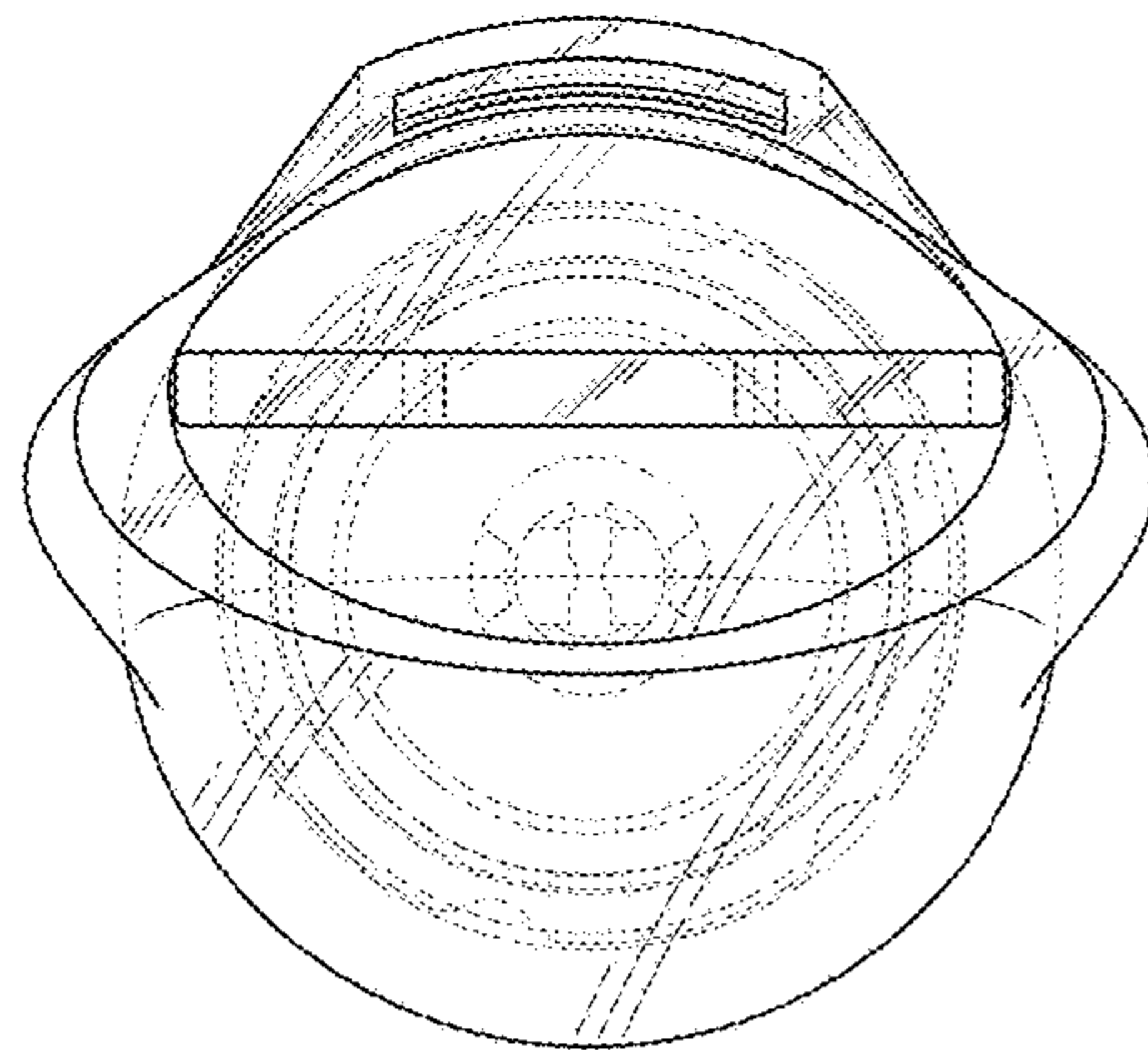


FIG. 7

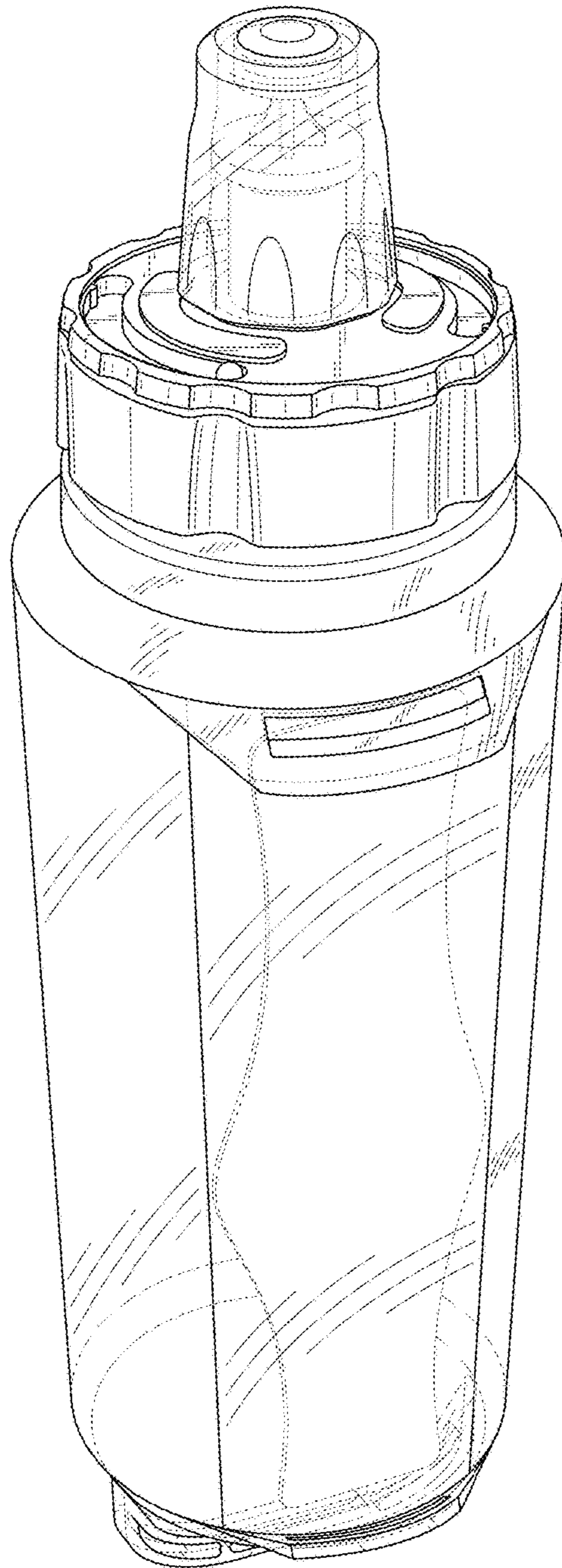


FIG. 8

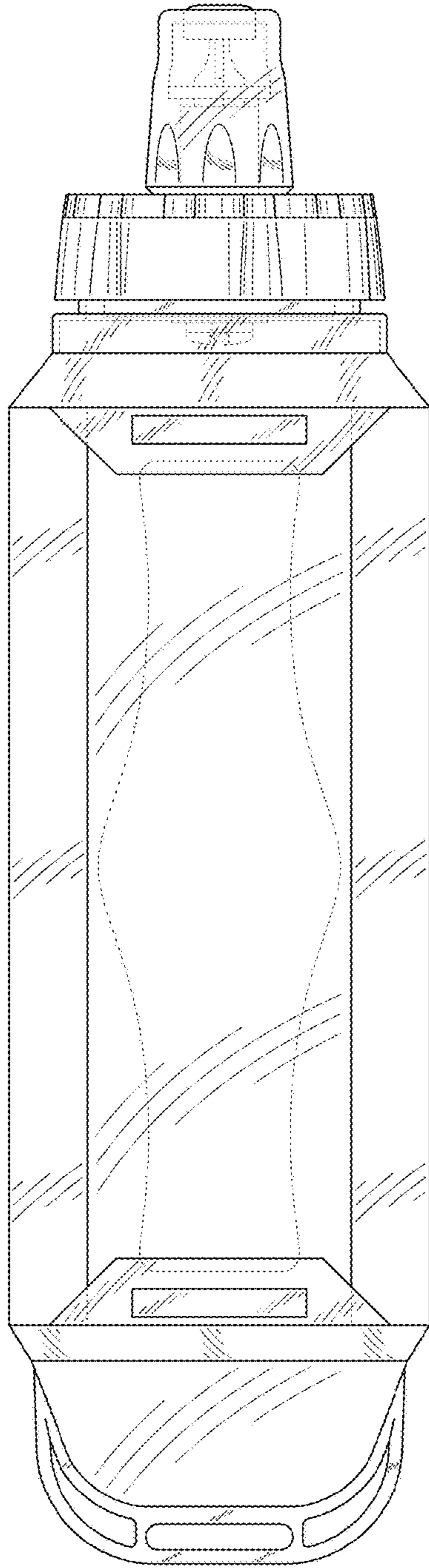


FIG. 9

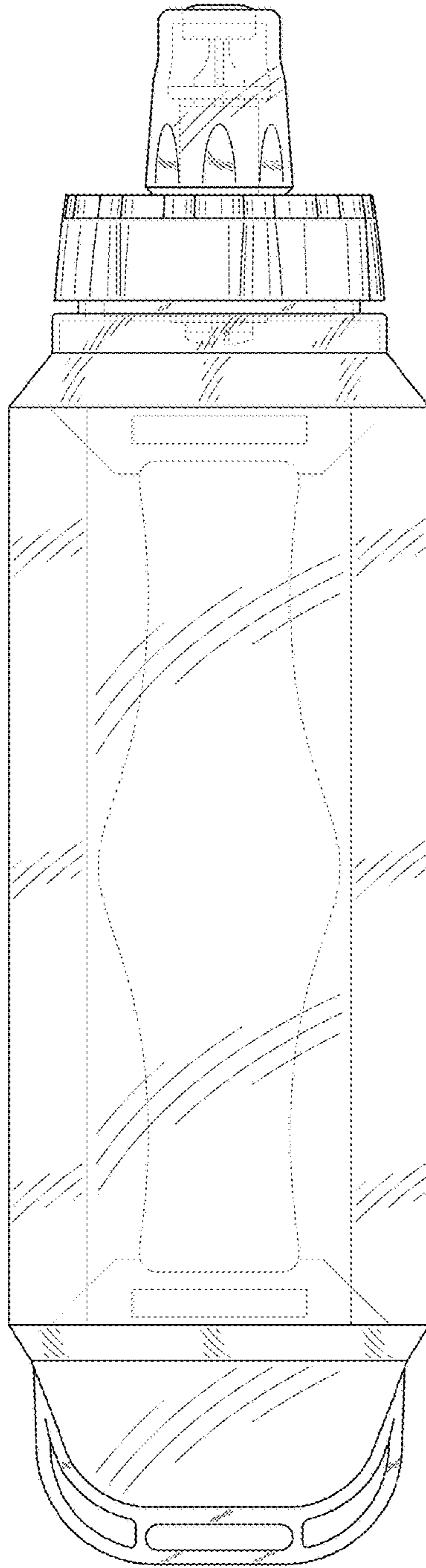


FIG. 10

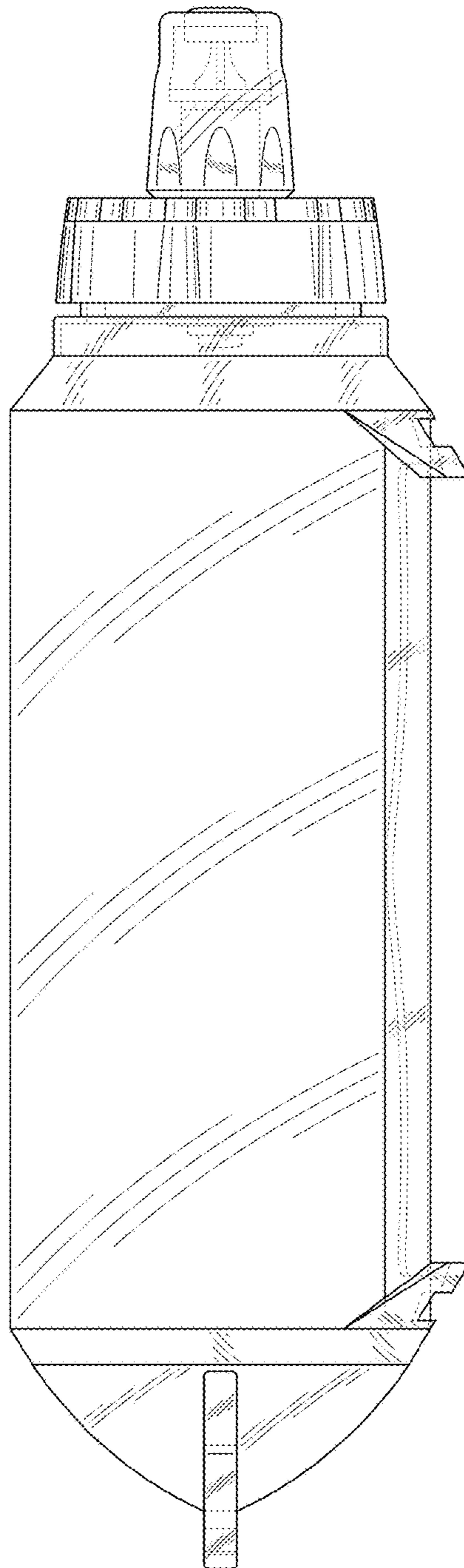


FIG. 11

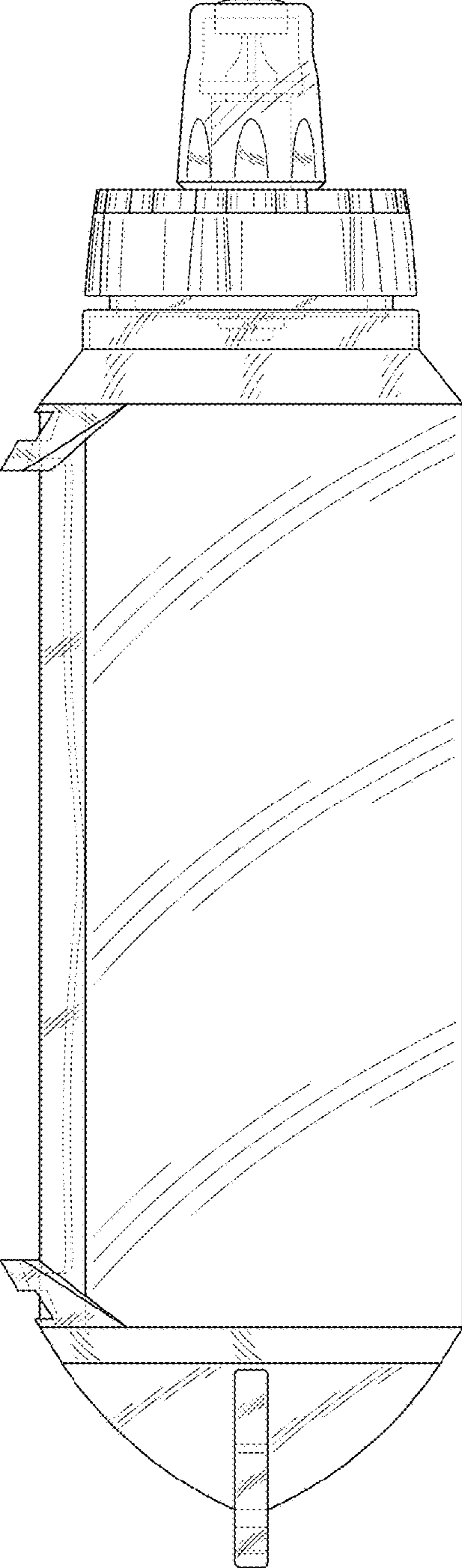


FIG. 12

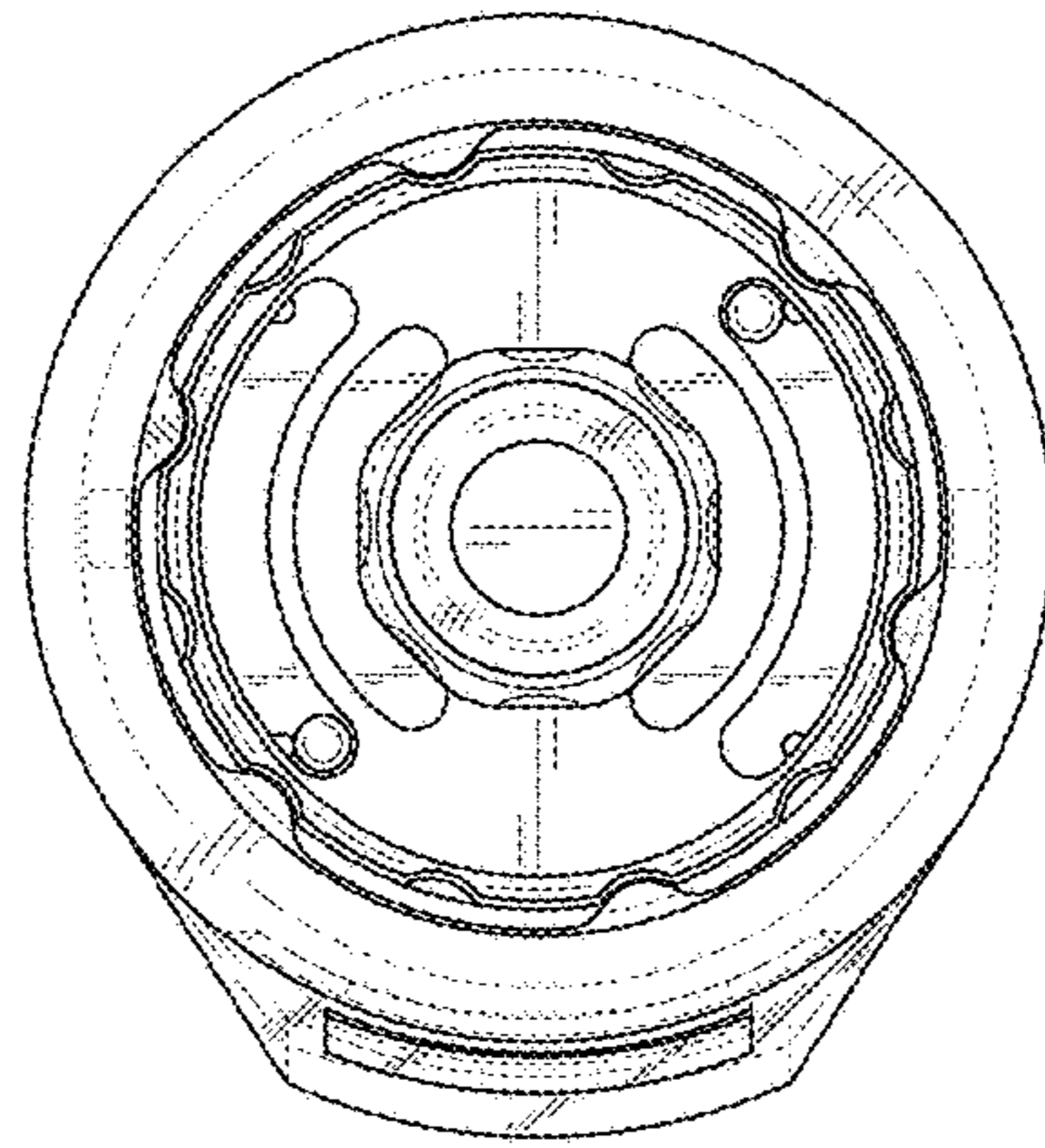


FIG. 13

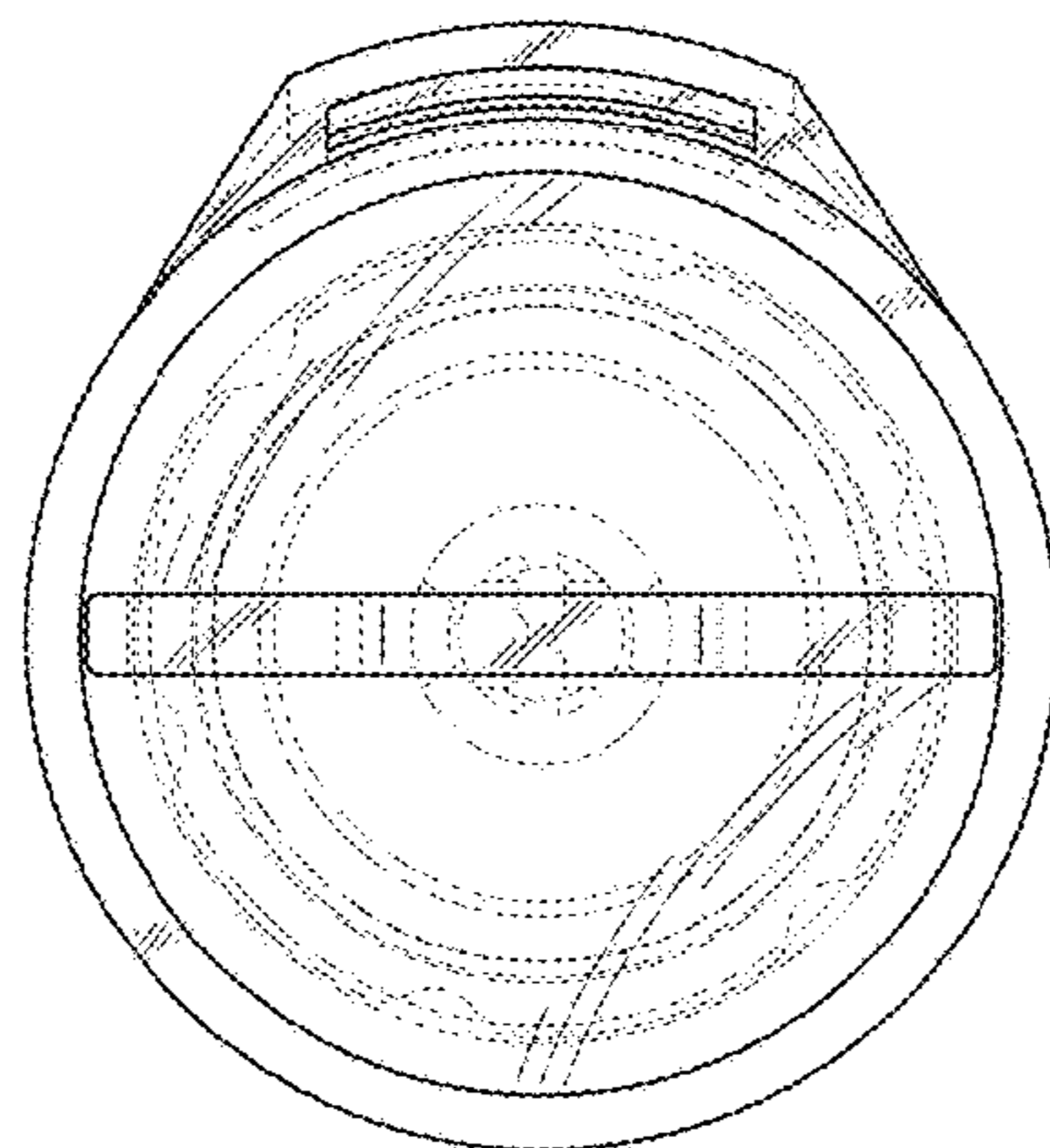


FIG. 14