



US00D841398S

(12) **United States Design Patent**
Gauss et al.

(10) **Patent No.:** **US D841,398 S**

(45) **Date of Patent:** **** Feb. 26, 2019**

(54) **BEVERAGE VESSEL WITH LID**

(71) Applicant: **GSI Outdoors, Inc.**, Spokane Valley, WA (US)

(72) Inventors: **Kurt Gauss**, Spokane, WA (US); **S. Richard Motzkus**, Spokane, WA (US)

(73) Assignee: **GSI Outdoors, Inc.**, Spokane, WA (US)

(**) Term: **15 Years**

(21) Appl. No.: **29/611,164**

(22) Filed: **Jul. 19, 2017**

(51) **LOC (11) Cl.** **07-01**

(52) **U.S. Cl.**

USPC **D7/511**; D7/510; D7/532; D7/536

(58) **Field of Classification Search**

USPC D7/507, 509, 510, 511, 523, 533, 534, D7/535, 536, 608, 392.1, 396.2, 515, 516, D7/532; D8/107, 300; D24/197;

D9/517, 532; 220/710.5, 592.16, 592.17

CPC D47G 19/22; B65D 1/265; A47G 19/2266; A47J 41/02; A45F 3/16

See application file for complete search history.

(56) **References Cited**

U.S. PATENT DOCUMENTS

D611,765 S * 3/2010 George D7/510
D700,012 S * 2/2014 Hurley D7/392.1

D741,655 S * 10/2015 Whelan D7/300.1
D790,920 S * 7/2017 Goodwin D7/510
D810,504 S * 2/2018 Goodwin D7/394
D814,241 S * 4/2018 Nickley D7/510
D817,092 S * 5/2018 Pisarevsky D7/507
D819,402 S * 6/2018 Silsby D7/510
2017/0057691 A1* 3/2017 Clark A45F 3/16

* cited by examiner

Primary Examiner — Marianne N Pandozzi

Assistant Examiner — Jae Liang

(74) *Attorney, Agent, or Firm* — Randall Danskin P.S.

(57) **CLAIM**

The ornamental design for a beverage vessel with lid, as shown and described.

DESCRIPTION

FIG. 1 is a perspective view of a beverage vessel with lid in a closed configuration with the pivoting carrying loop extended outwardly showing our new design;

FIG. 2 is a rear elevational view thereof;

FIG. 3 is a left side elevational view thereof;

FIG. 4 is a front elevational view thereof;

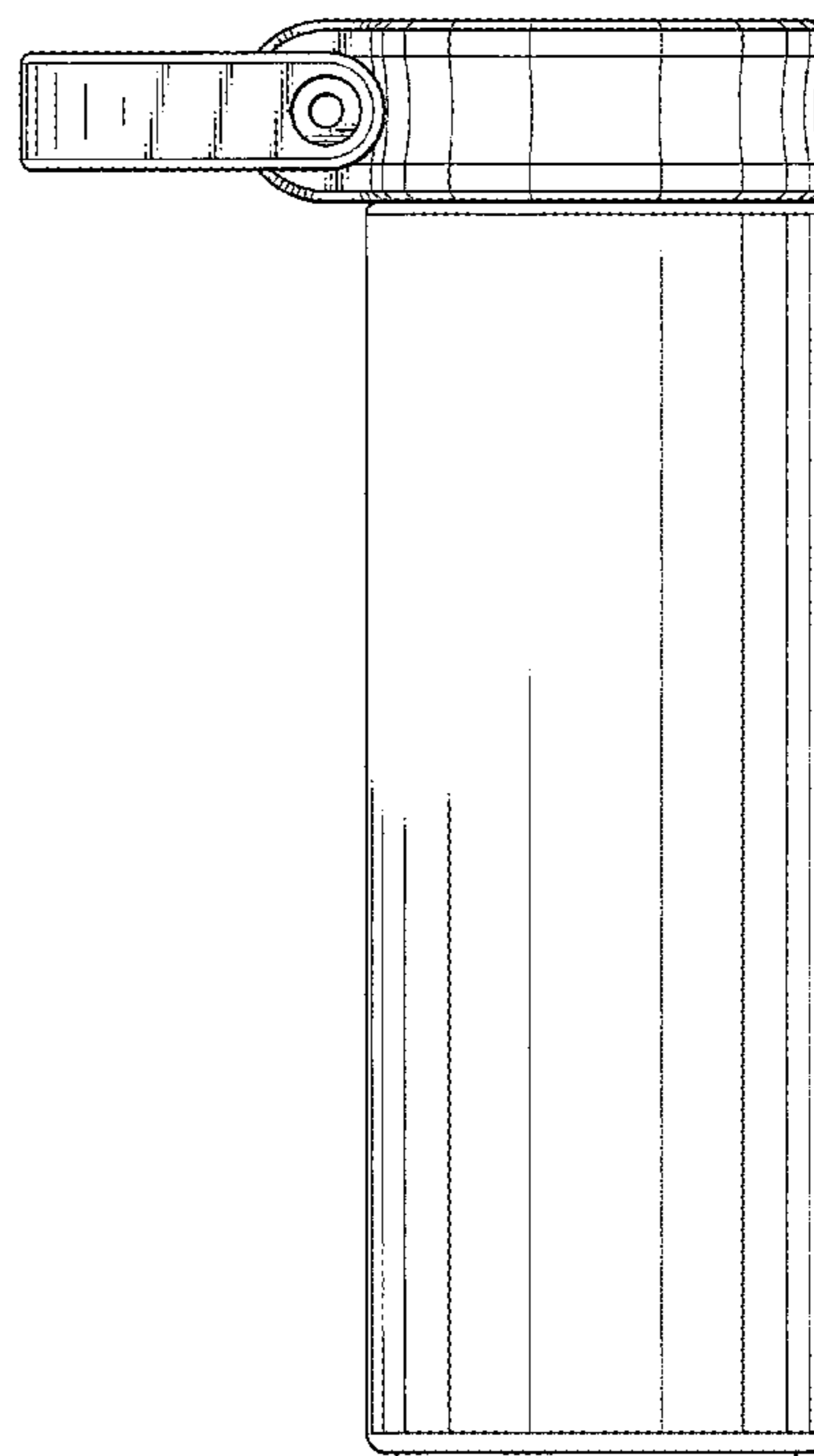
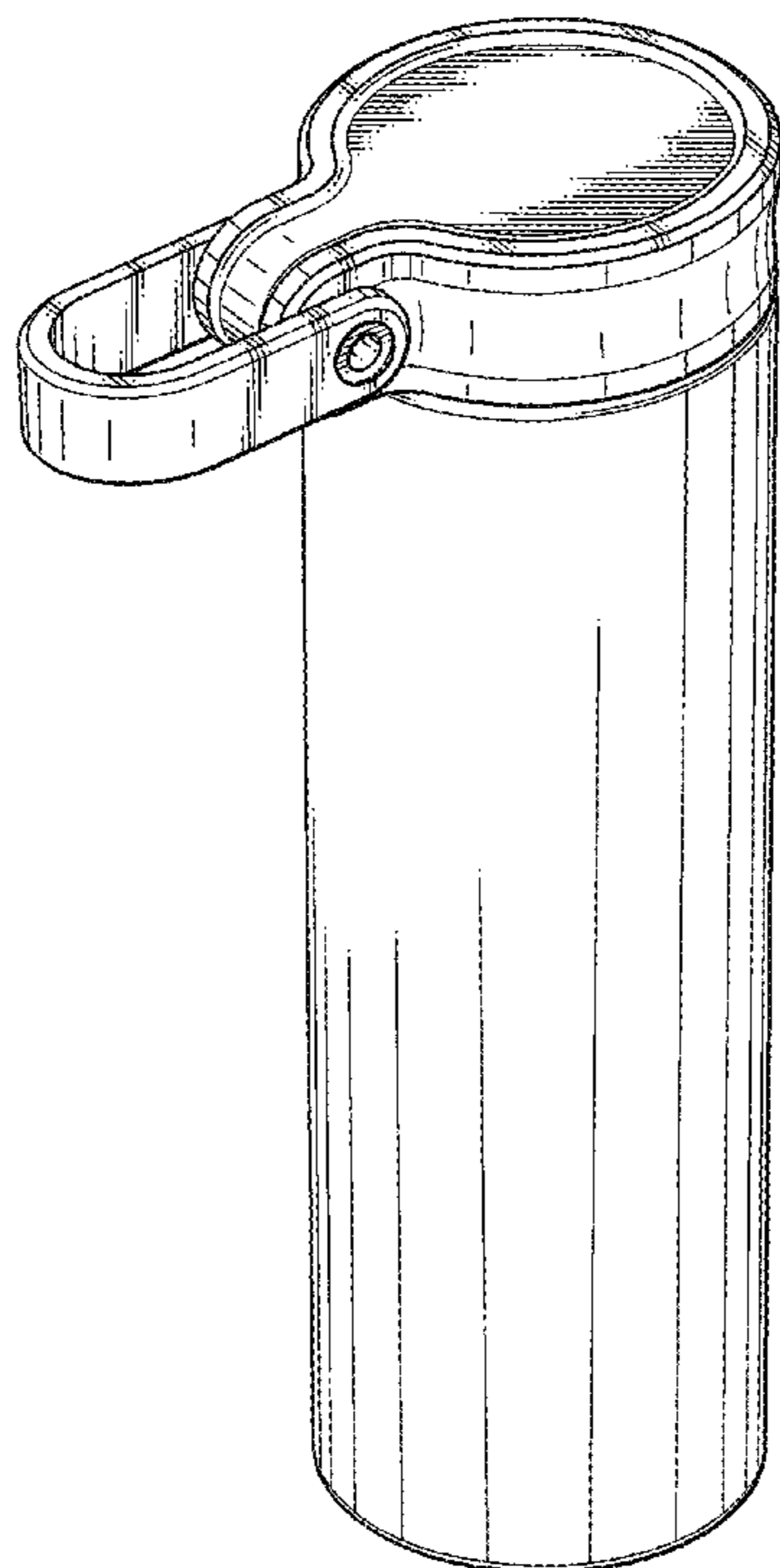
FIG. 5 is a top plan view thereof;

FIG. 6 is a bottom plan view thereof; and,

FIG. 7 is an exploded view thereof.

The broken lines in the drawings depict portions of the beverage vessel with lid that form no part of the claimed design.

1 Claim, 7 Drawing Sheets



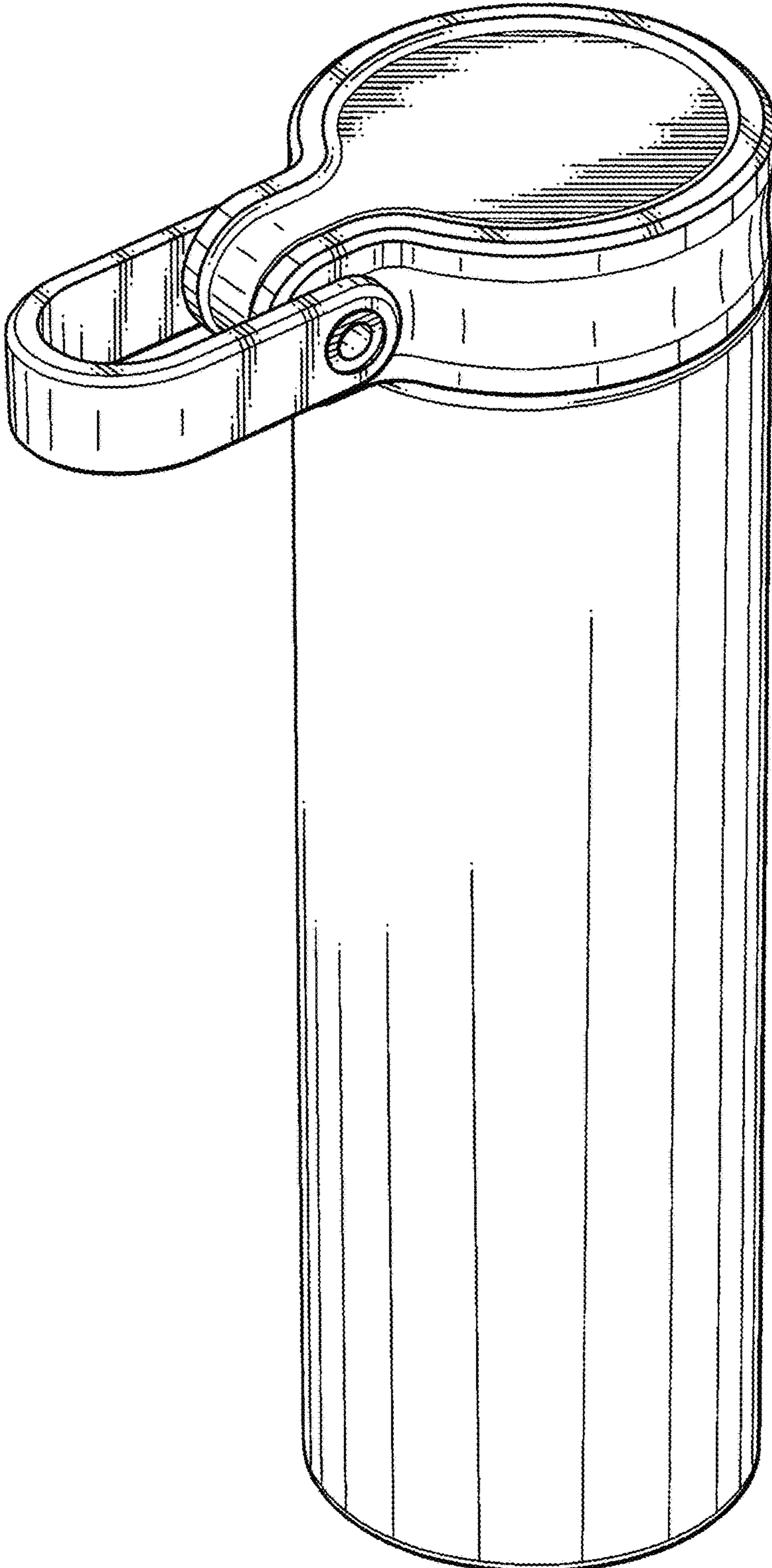


FIG. 1

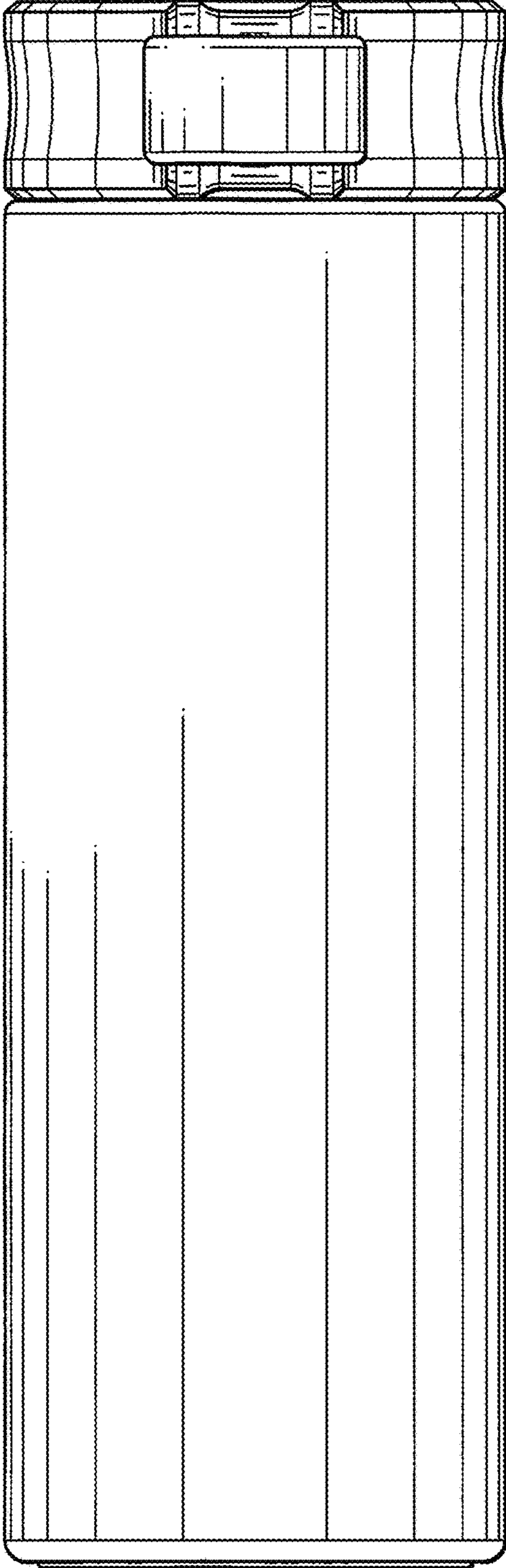


FIG. 2

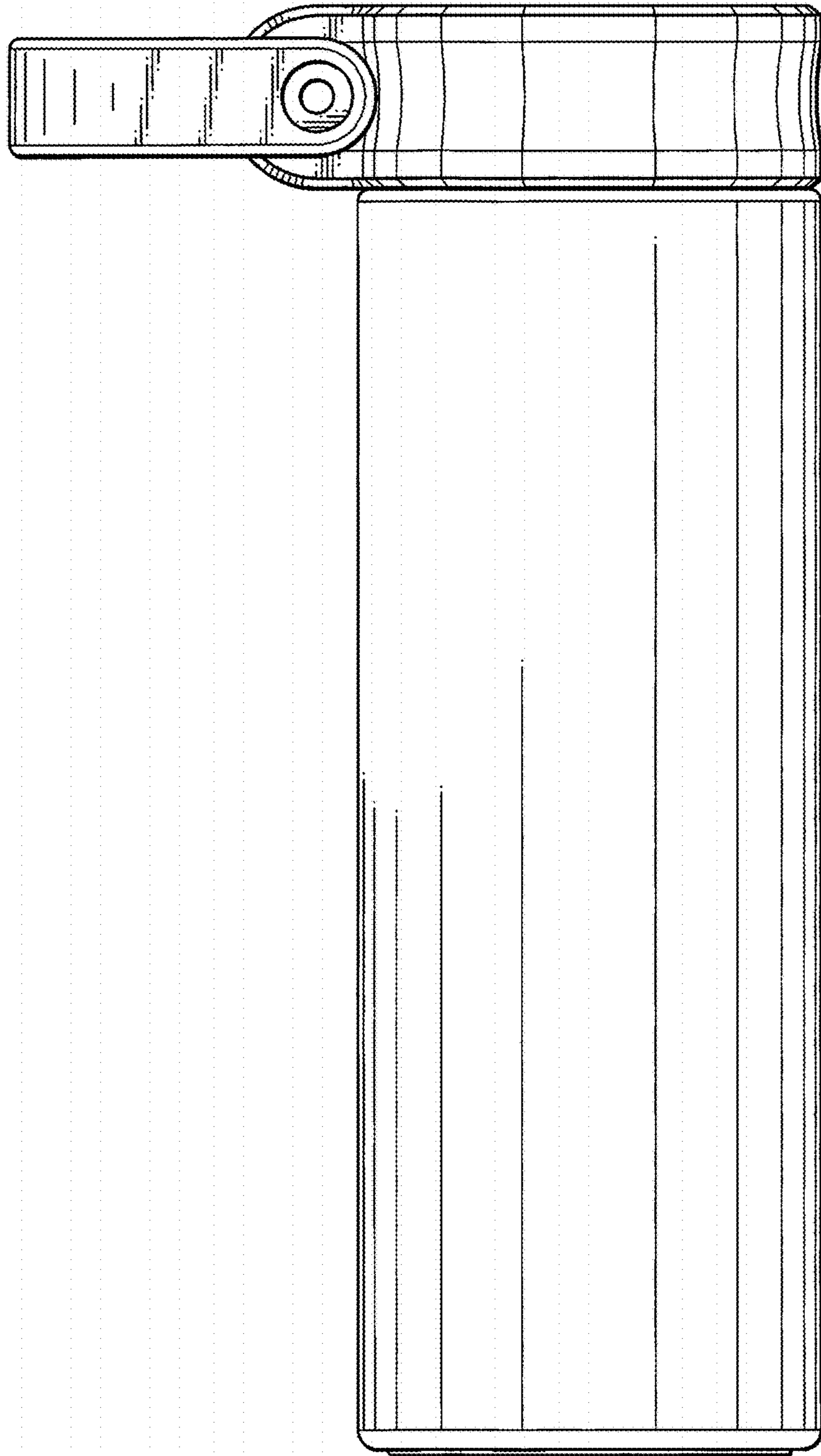


FIG. 3

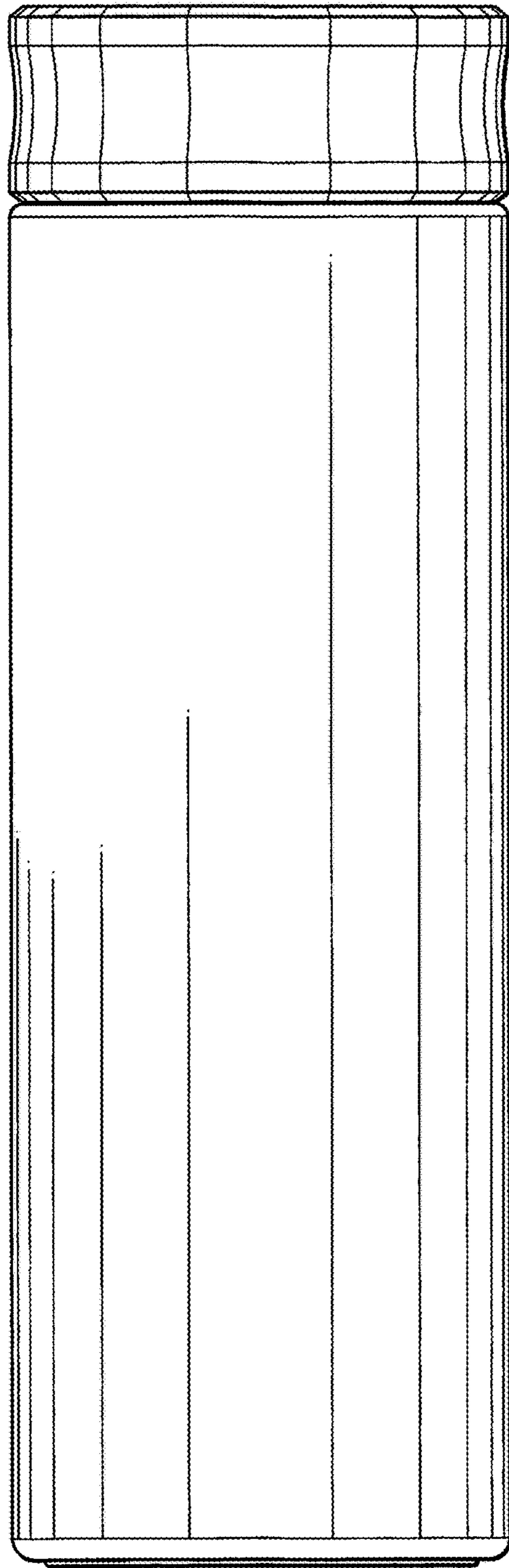


FIG. 4

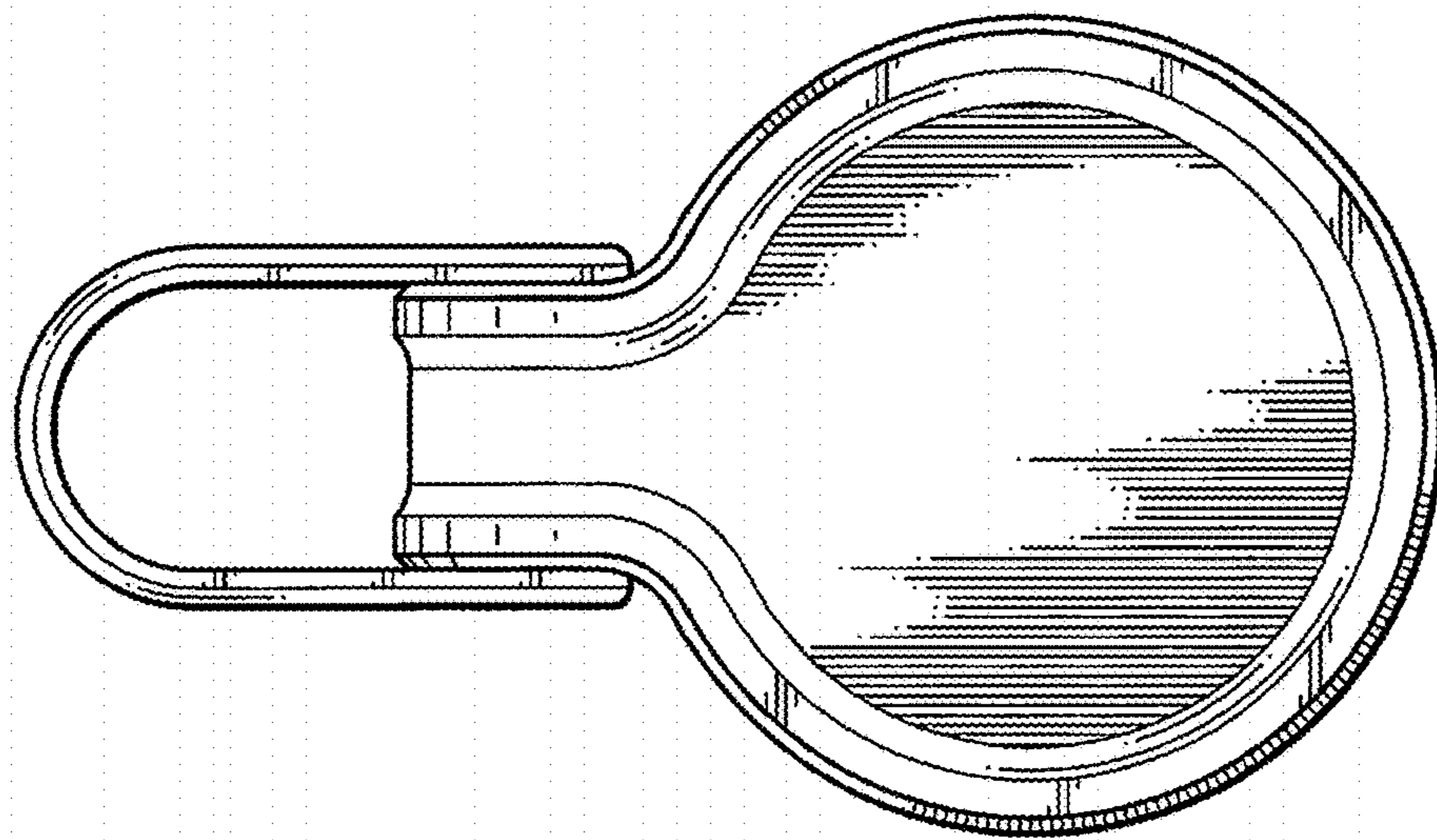


FIG. 5

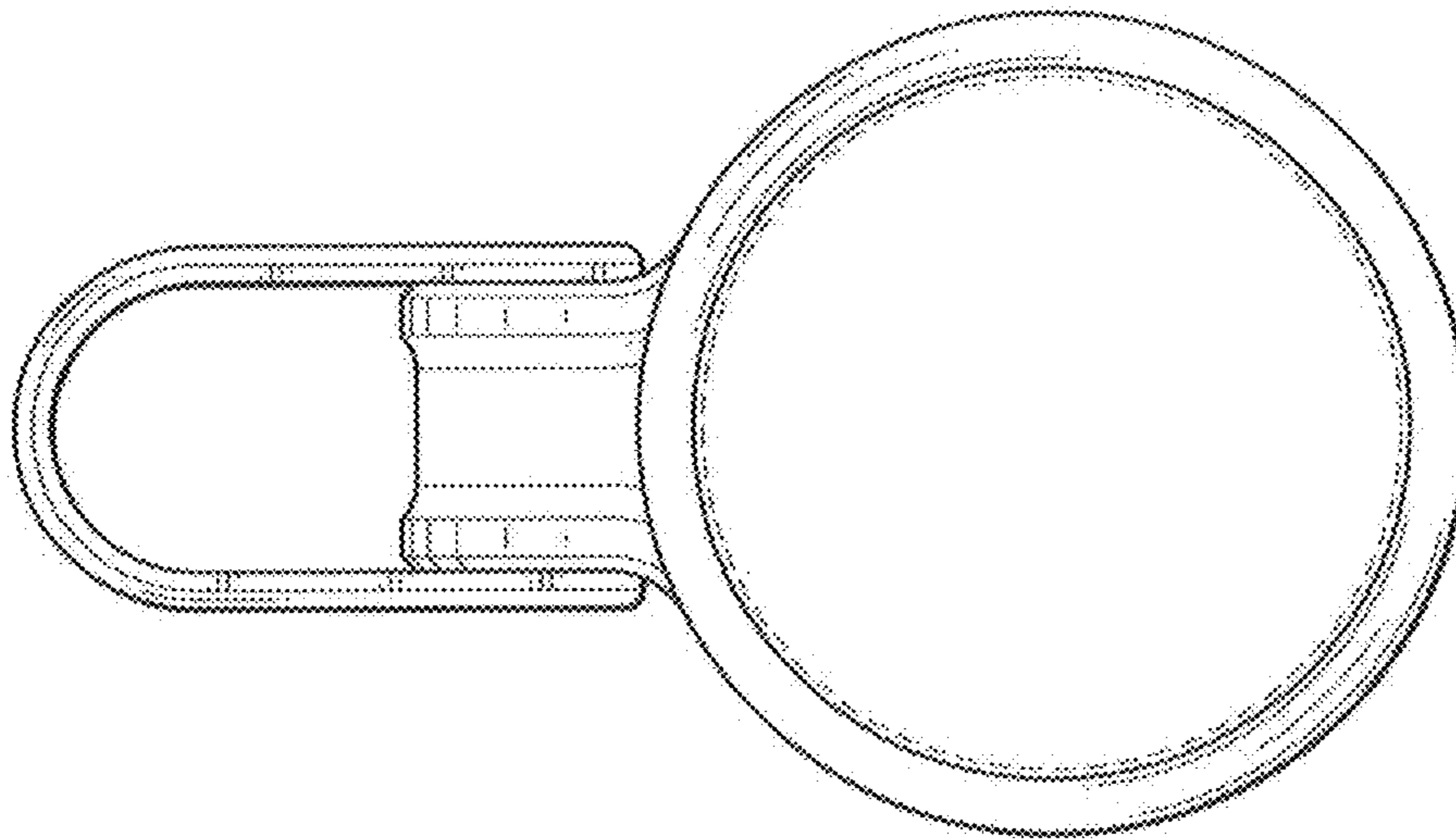


FIG. 6

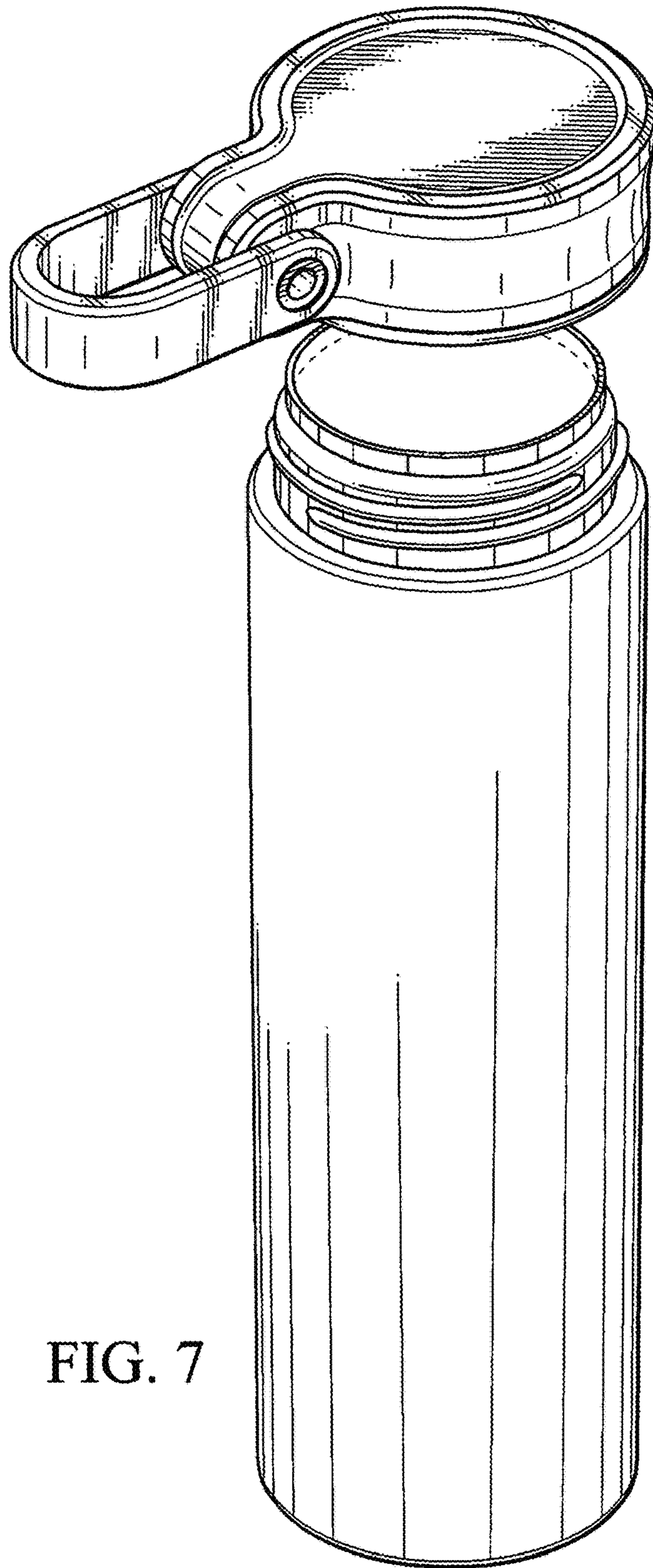


FIG. 7