



US00D841397S

(12) **United States Design Patent** (10) **Patent No.:** **US D841,397 S**
Lee (45) **Date of Patent:** **** Feb. 26, 2019**

(54) **SUPPORT FOR COOKING PAN FOR USE IN HEATING COOKERS**

(71) Applicant: **Jin Hee Lee**, Seoul (KR)

(72) Inventor: **Jin Hee Lee**, Seoul (KR)

(**) Term: **15 Years**

(21) Appl. No.: **29/586,857**

(22) Filed: **Dec. 7, 2016**

(30) **Foreign Application Priority Data**

Jun. 15, 2016 (KR) 30-2016-0028924

(51) **LOC (11) Cl.** **07-02**

(52) **U.S. Cl.**
USPC **D7/403**

(58) **Field of Classification Search**
USPC D7/402-409, 323, 332-351, 362-367,
D7/399, 397, 309, 306, 387, 354;
D23/386, 397, 402, 415-419; D15/81,
D15/144; D13/112
CPC F24C 15/10; F24C 15/107; F24C 15/001;
F24C 3/08; F24C 3/082; F24C 3/085;
H05B 6/6414; H05B 6/6408; A47J 31/40;
A47J 31/42

See application file for complete search history.

(56) **References Cited**

U.S. PATENT DOCUMENTS

D56,928 S * 1/1921 Kieckhefer D7/403
D96,747 S * 9/1935 Hadley D7/403

D292,473 S * 10/1987 Fisher D13/112
D404,251 S * 1/1999 Souther D7/402
D564,295 S * 3/2008 Hillmann D7/403
D643,674 S * 8/2011 Lee D7/362
D651,039 S * 12/2011 O'Neill D7/354
D651,845 S * 1/2012 O'Neill D7/362
D663,585 S * 7/2012 Miller D7/387
D673,810 S * 1/2013 Kawano D7/402
D792,570 S * 7/2017 Williams D23/386

* cited by examiner

Primary Examiner — Sheryl Lane

Assistant Examiner — Nicole C Shiflet

(74) *Attorney, Agent, or Firm* — Kile Park Reed & Houtteman PLLC

(57) **CLAIM**

I claim, the ornamental design for a support for cooking pan for use in heating cookers, as shown and described.

DESCRIPTION

FIG. 1 is a top and front perspective view of a support for cooking pan for use in heating cookers, showing my new design;

FIG. 2 is a front view thereof;

FIG. 3 is a rear view thereof;

FIG. 4 is a left side view thereof;

FIG. 5 is a right side view thereof;

FIG. 6 is a top view thereof; and,

FIG. 7 is a bottom view thereof.

The broken lines showing portions of the article are included for the purpose of illustrating the portions of the article that form no part of the claimed design.

1 Claim, 4 Drawing Sheets

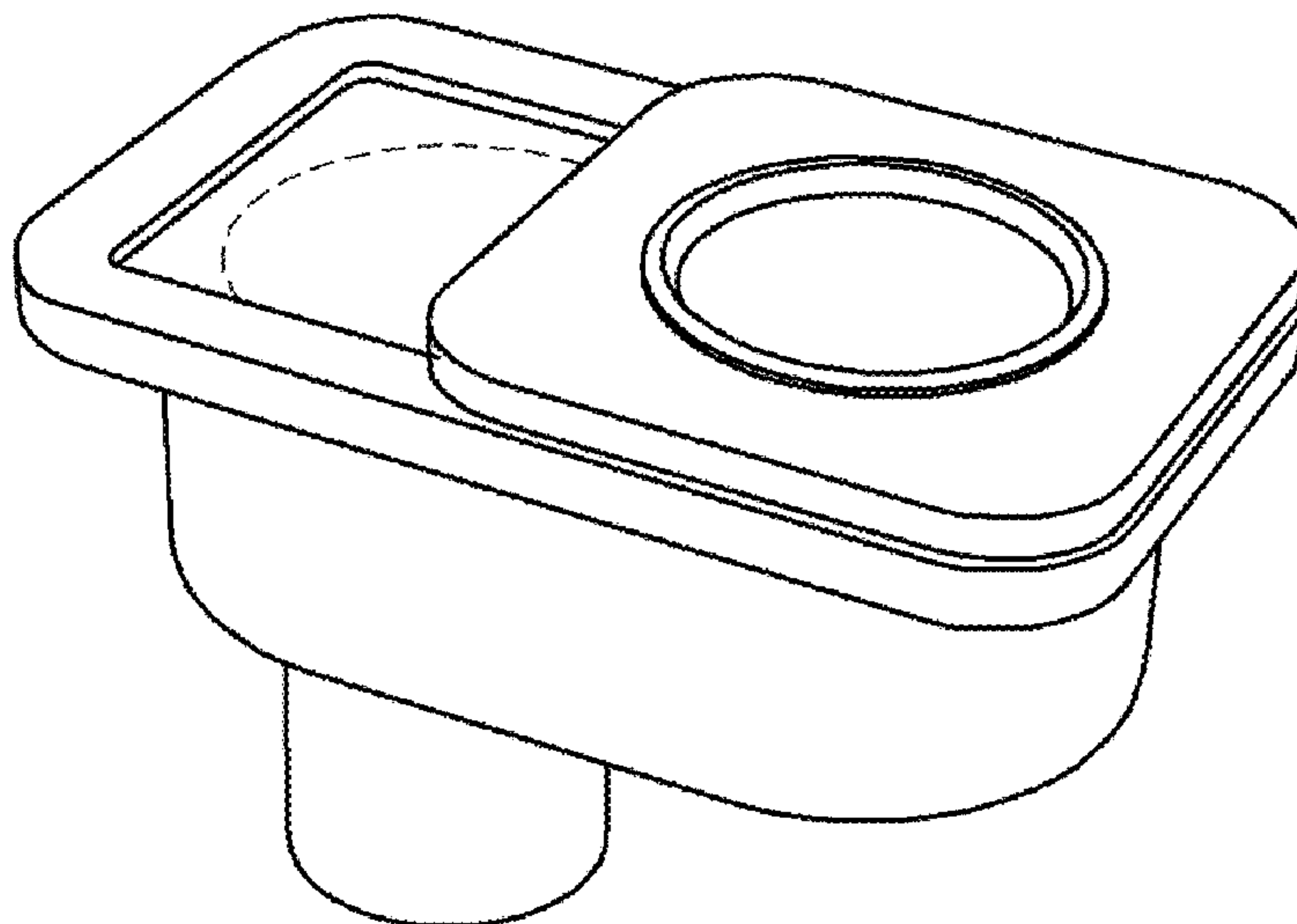


FIG. 1

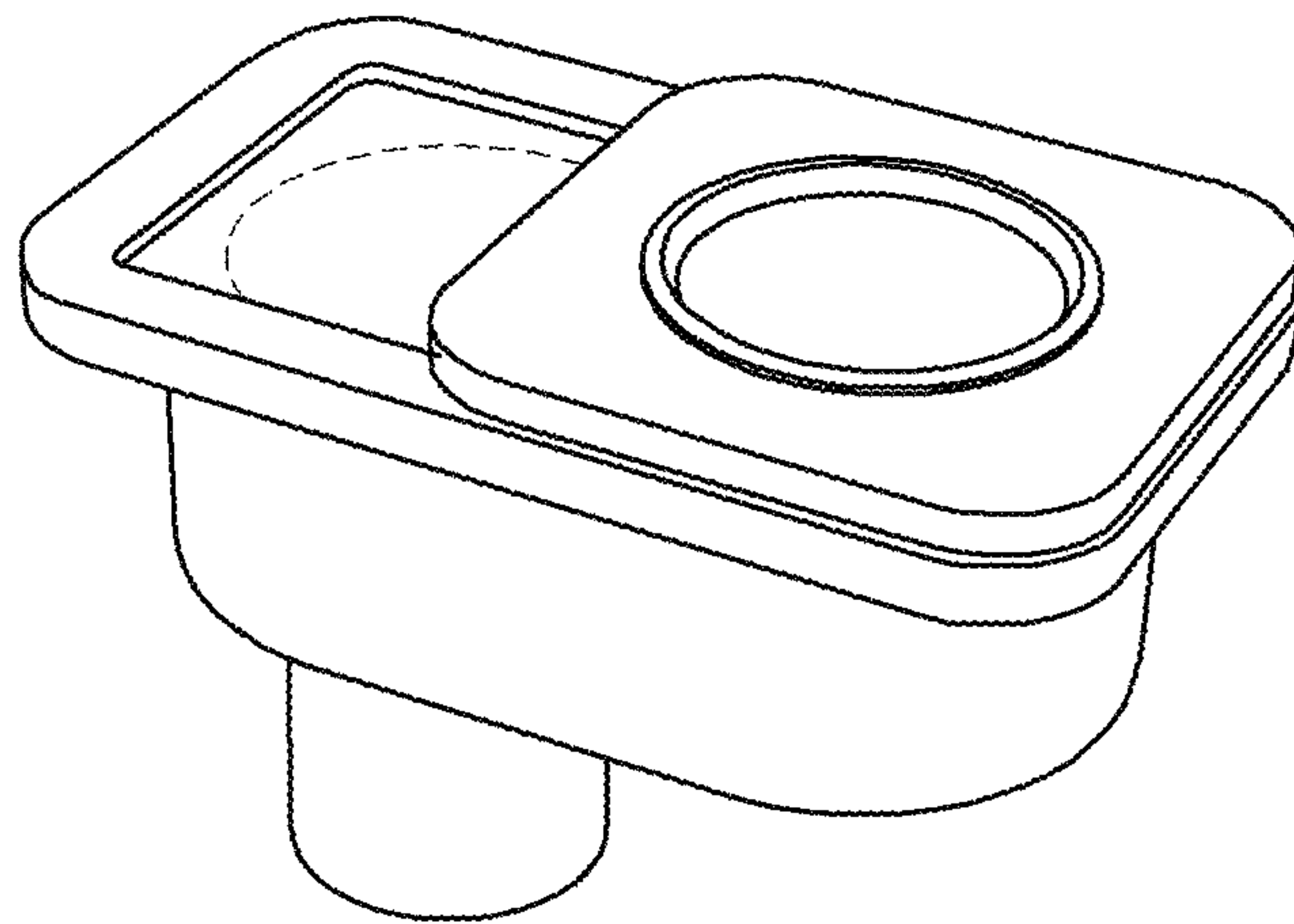


FIG. 2

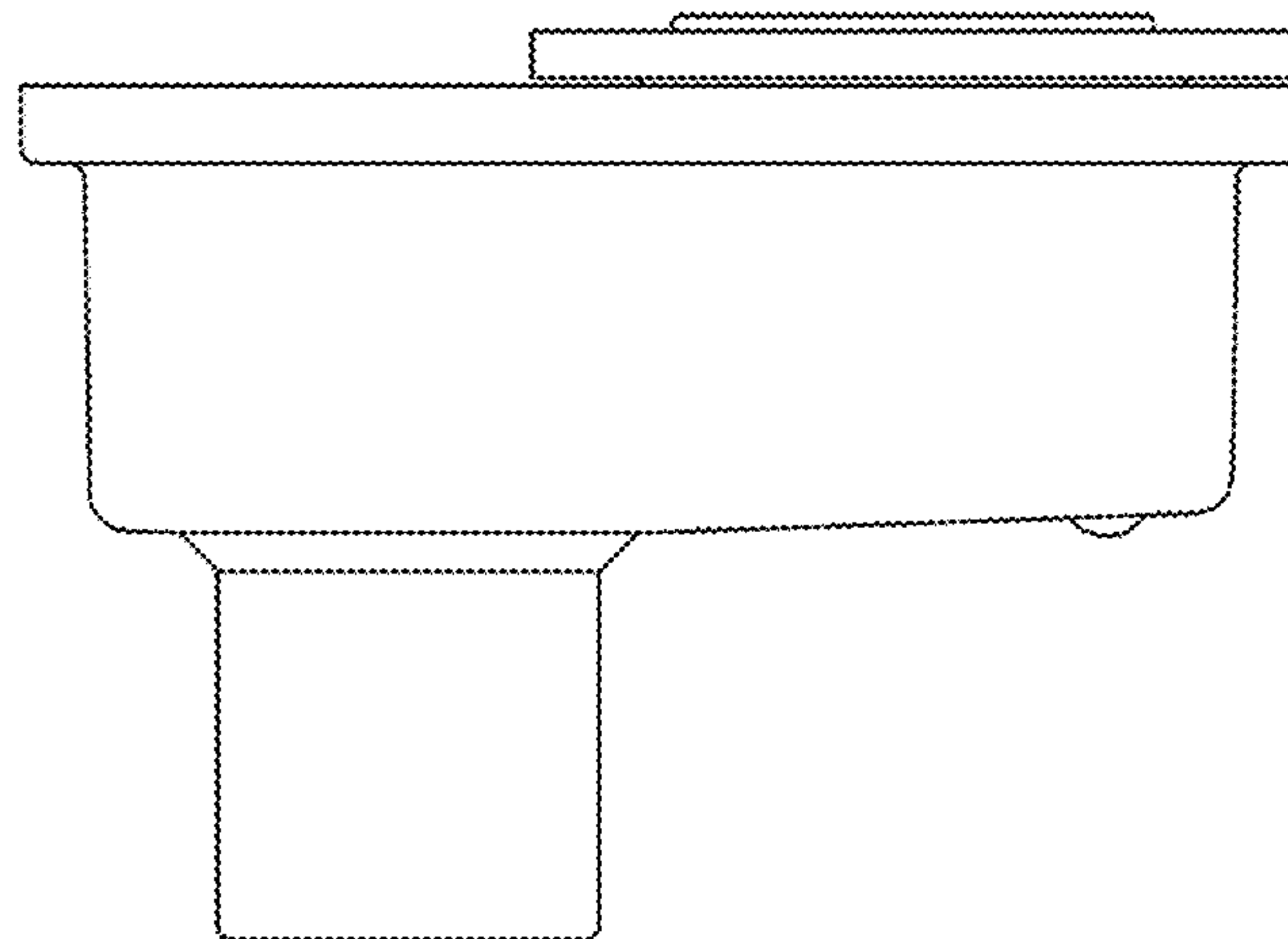


FIG. 3

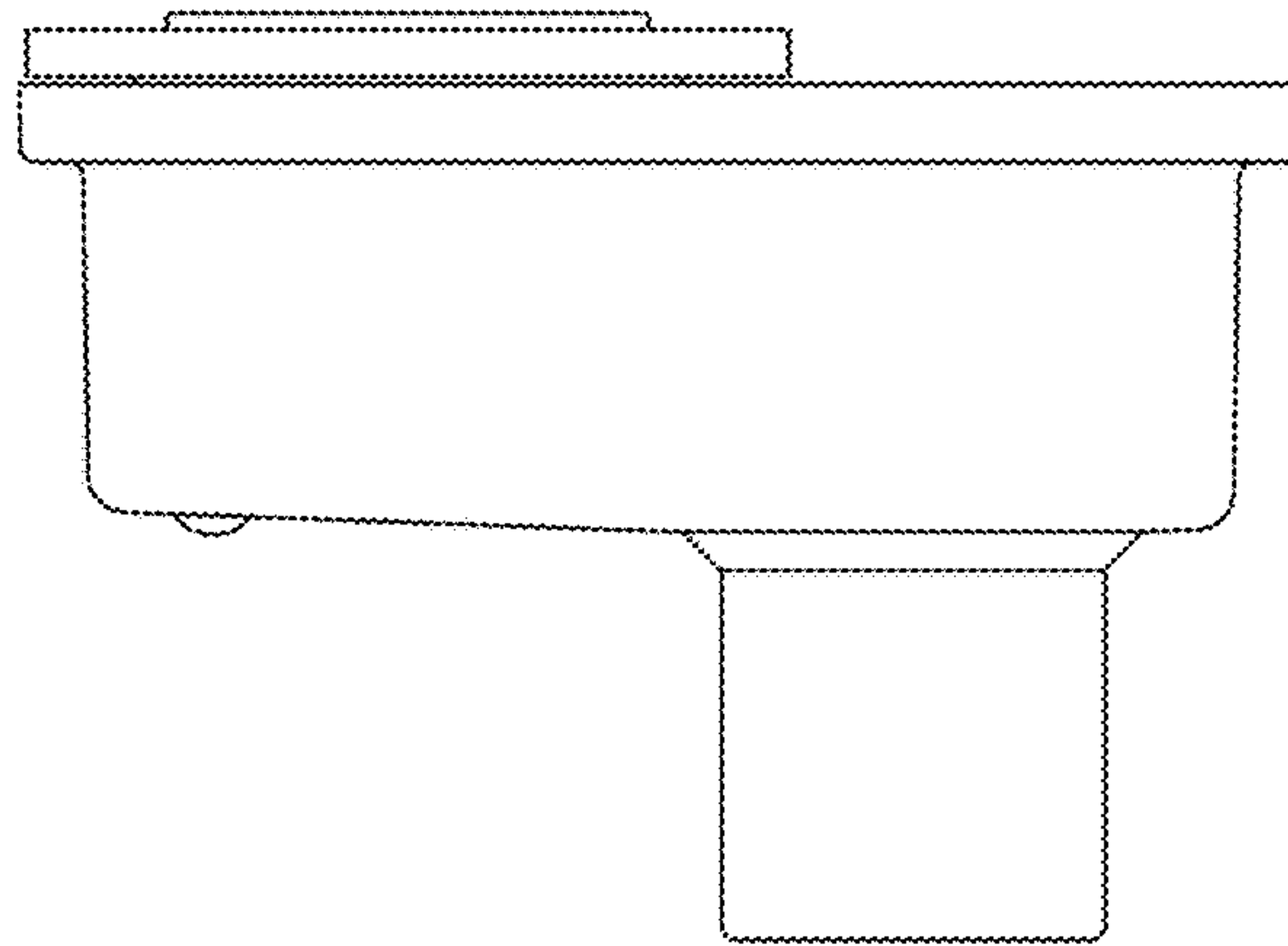


FIG. 4

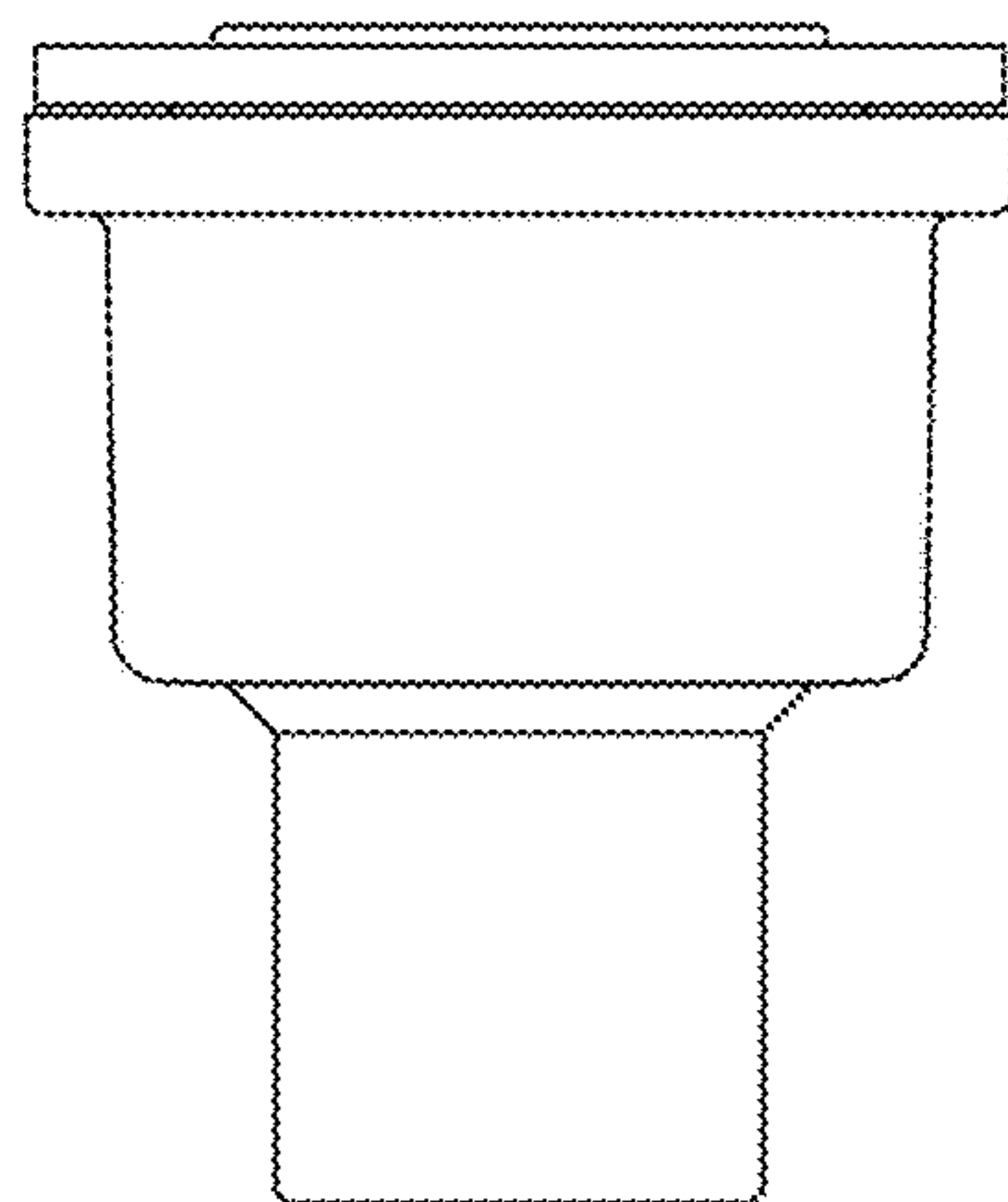


FIG. 5

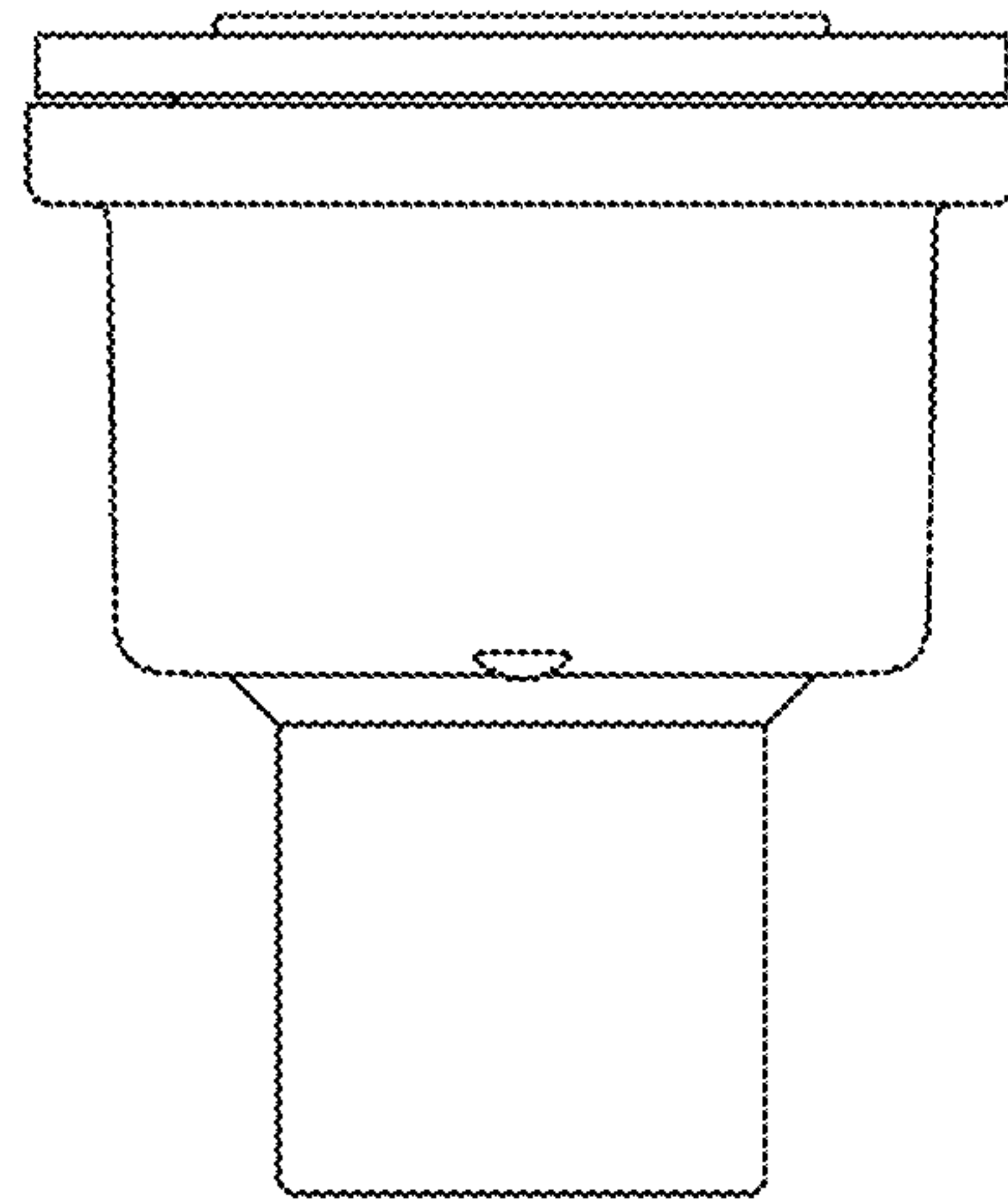


FIG. 6

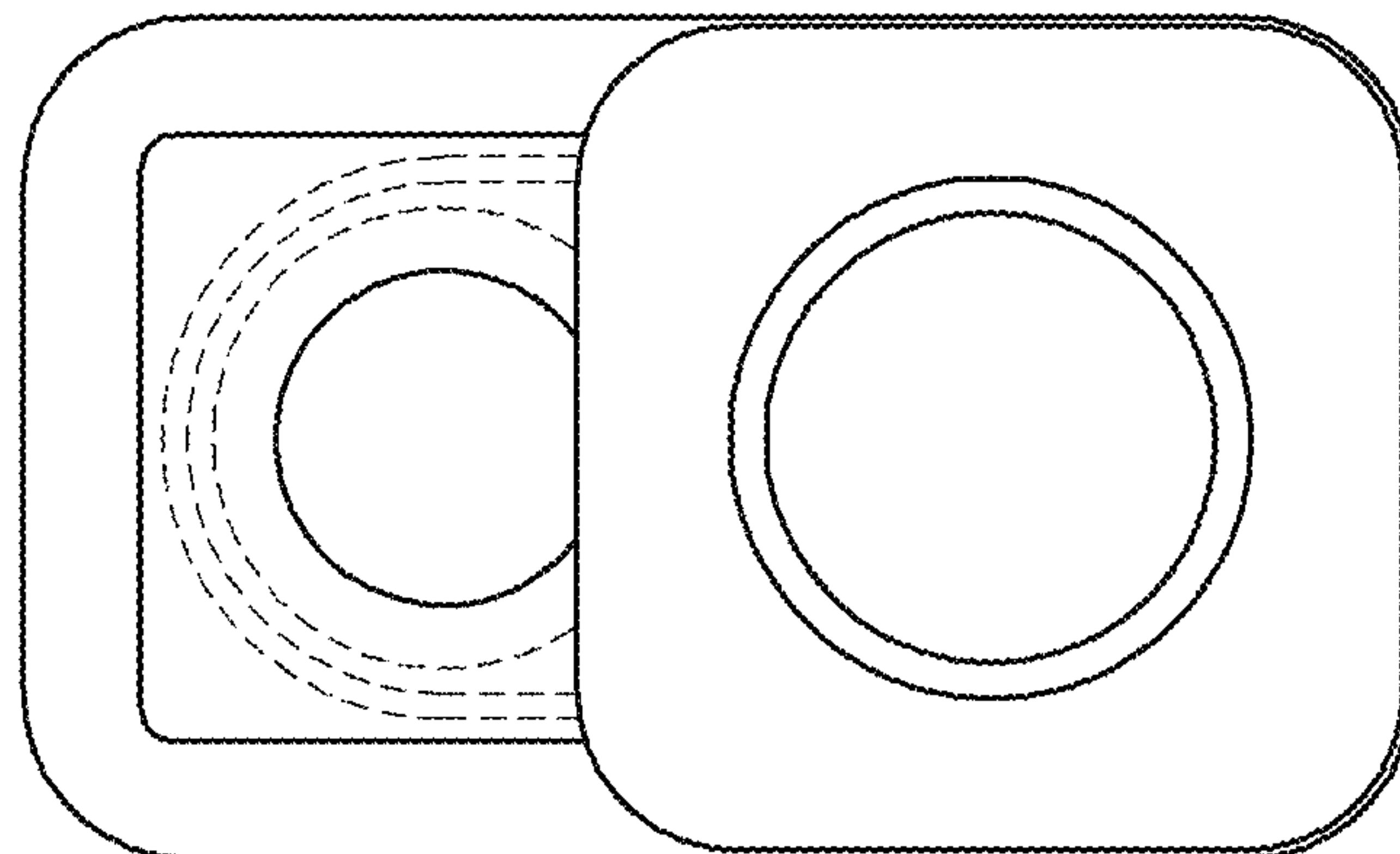


FIG. 7

