



US00D841396S

(12) **United States Design Patent**
Prithviraj et al.

(10) **Patent No.:** **US D841,396 S**

(45) **Date of Patent:** **** Feb. 26, 2019**

(54) **LATCH HANDLE FOR STACKABLE
PRESSURE COOKER INSERT PANS WITH
LID**

(71) Applicants: **Sanjiv Rajagopal Prithviraj**, Cary, NC
(US); **Preetha Radhakrishnan**, Cary,
NC (US)

(72) Inventors: **Sanjiv Rajagopal Prithviraj**, Cary, NC
(US); **Preetha Radhakrishnan**, Cary,
NC (US)

(**) Term: **15 Years**

(21) Appl. No.: **29/597,295**

(22) Filed: **Mar. 16, 2017**

(51) **LOC (11) Cl.** **07-02**

(52) **U.S. Cl.**
USPC **D7/402**

(58) **Field of Classification Search**
USPC ... D7/332, 354, 359-360, 368, 392.1, 396.1,
D7/409, 412, 505, 546, 550.1, 552.1,
D7/553.1, 554.3-554.4, 555, 586, 637,
D7/673, 698-699

CPC . B65D 21/02; A47J 43/00; A47J 36/24; A47J
2201/00

See application file for complete search history.

(56) **References Cited**

U.S. PATENT DOCUMENTS

- 1,815,125 A * 7/1931 Townsend B65D 25/32
217/125
- 2,679,736 A * 6/1954 Duchin A47B 13/02
108/159
- D195,346 S * 6/1963 Christoffersen D7/394
- 3,179,287 A * 4/1965 Rickmeier, Jr. A47J 36/24
220/315
- D206,758 S * 1/1967 Radtke D7/393

- D361,934 S * 9/1995 Croteau D9/434
- D406,984 S * 3/1999 Skvorecz D7/393
- D450,980 S * 11/2001 Su D7/393
- D662,761 S * 7/2012 Wahl D7/354
- D697,362 S * 1/2014 Nguyen Geslin D7/354
- D715,590 S * 10/2014 Mangano D7/354
- D731,232 S * 6/2015 Verkaik D7/354
- 2018/0279836 A1 * 10/2018 Prithviraj B65D 21/0224

* cited by examiner

Primary Examiner — Michael A. Pratt

(57) **CLAIM**

The ornamental design of a latch handle for stackable pressure cooker insert pans with lid, as shown and described.

DESCRIPTION

FIG. 1 is a top perspective view of a latch handle for stackable pressure cooker insert pans with lid in locked position for my new design

FIG. 2 is a front view of the exploded product in locked position thereof;

FIG. 3 is a rear view—exploded product in locked position thereof;

FIG. 4 is a left side view—exploded thereof;

FIG. 5 is a right side view—exploded thereof;

FIG. 6 is a perspective view thereof;

FIG. 7 is a top view thereof;

FIG. 8 is a bottom view thereof;

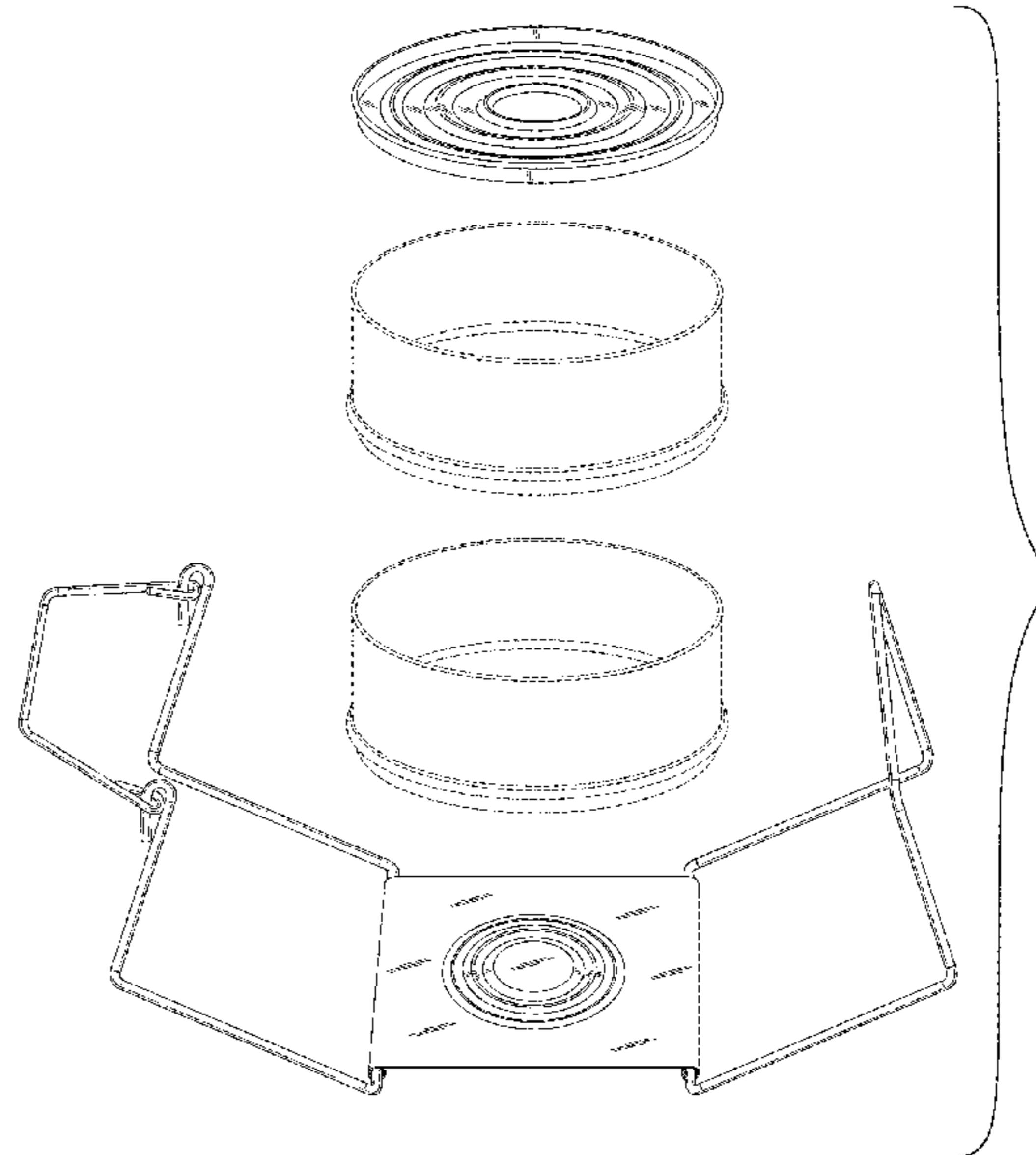
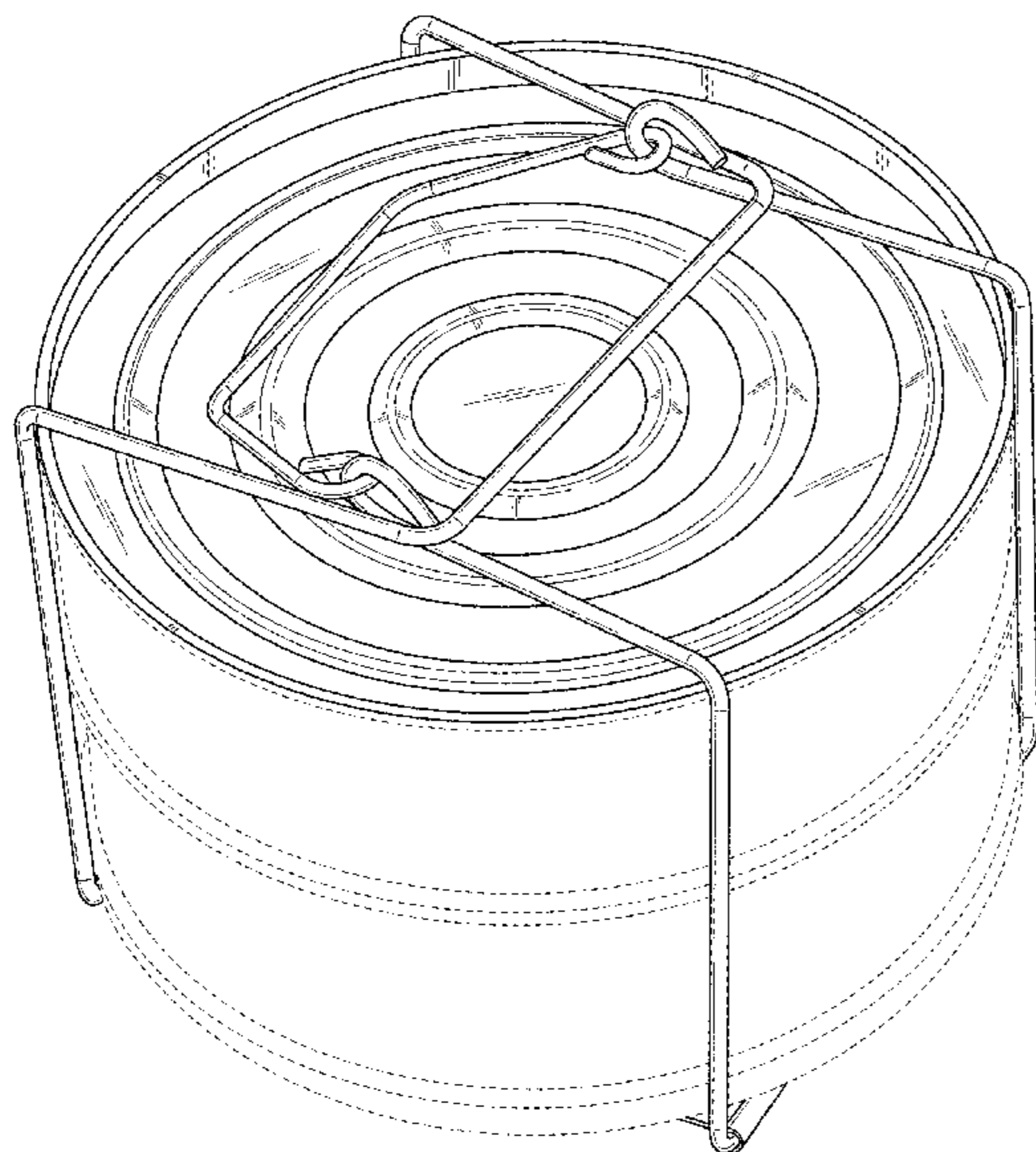
FIG. 9 is a top view of the lid thereof;

FIG. 10 is a bottom view of the lid thereof; and,

FIG. 11 is an exploded view with lock release position thereof.

The broken line showing of the two pans is included for the purpose of illustrating portions of the latch handle for stackable pressure cooker insert pans with lid form no part of the claimed design.

1 Claim, 11 Drawing Sheets



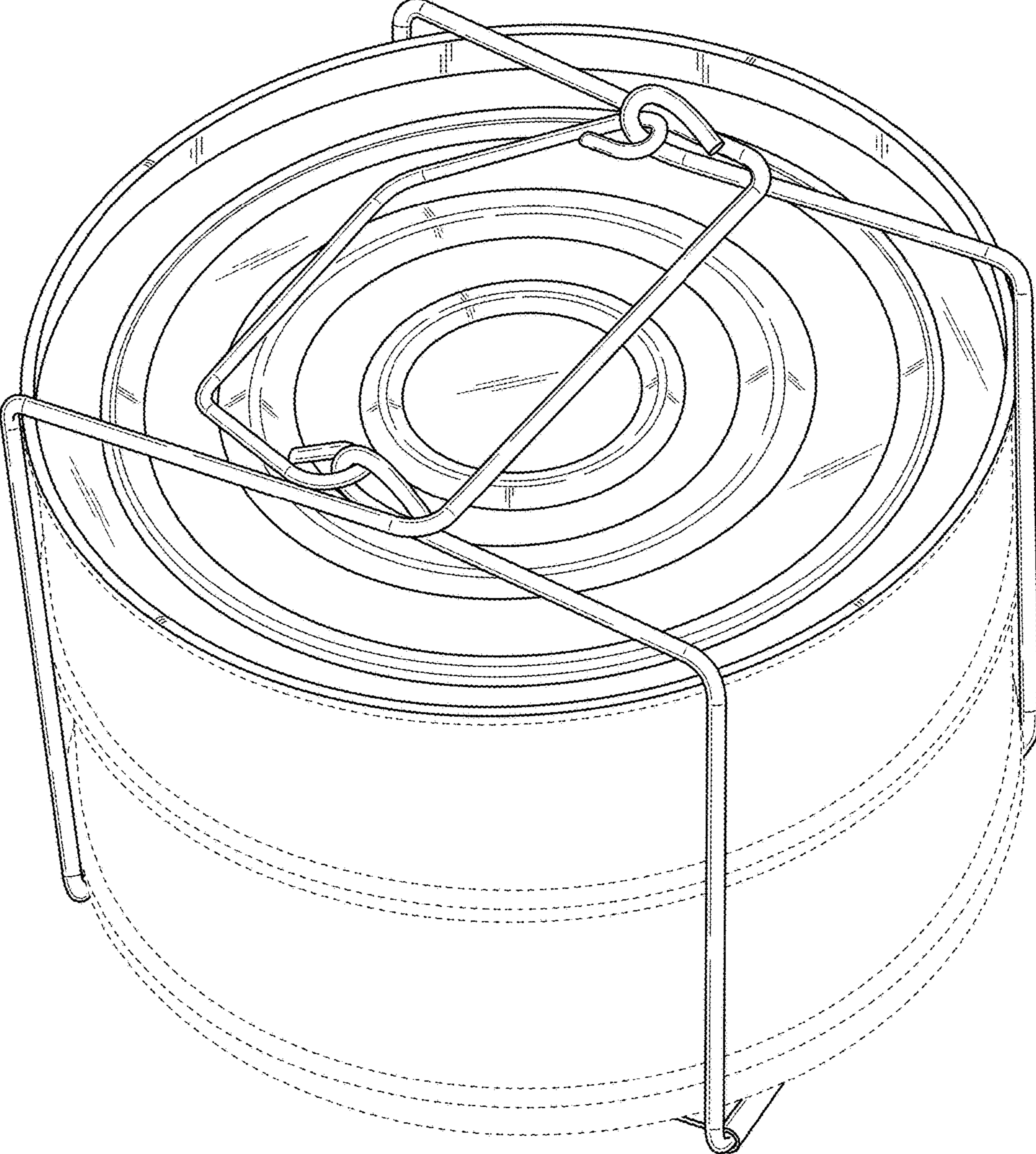


FIG. 1

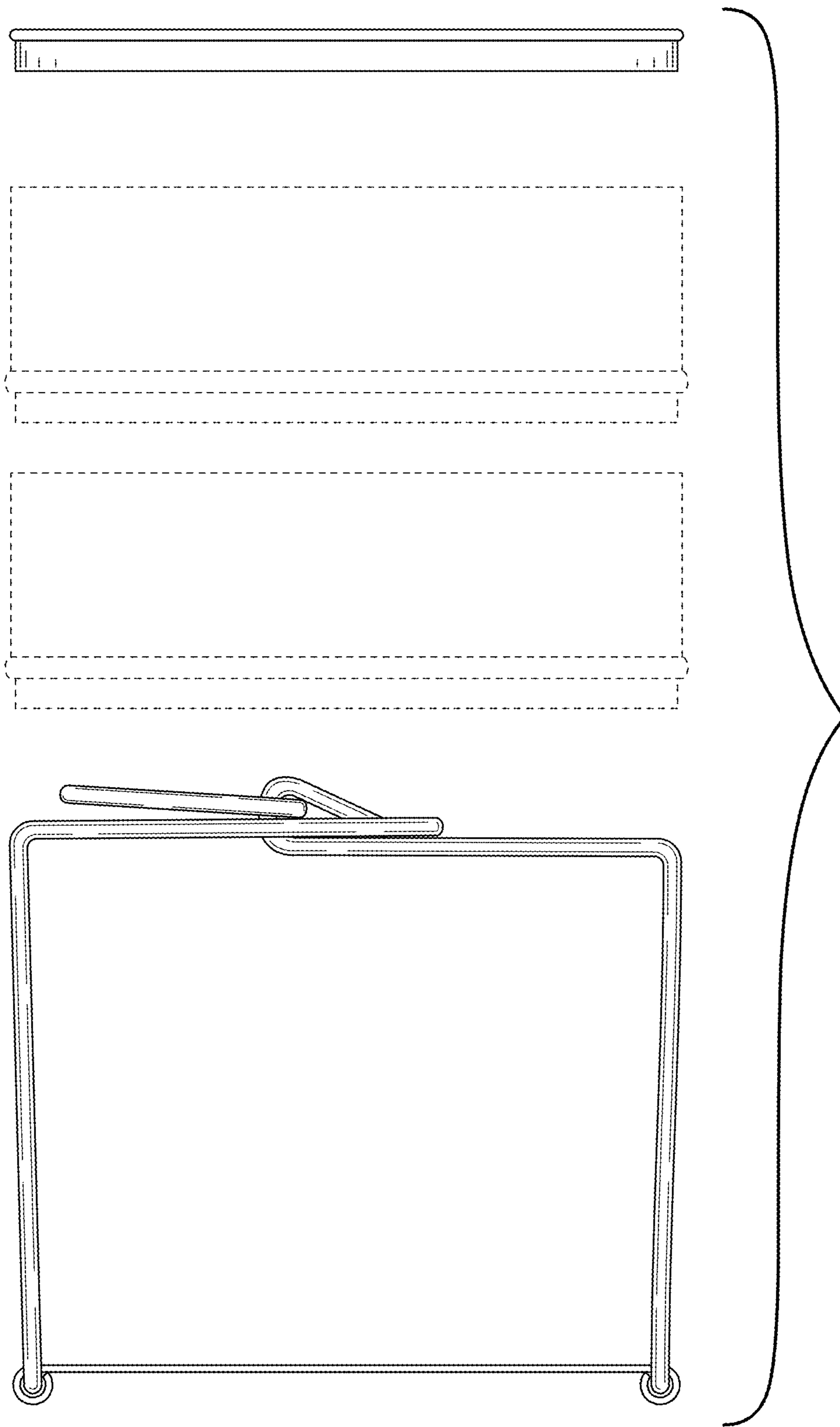


FIG. 2

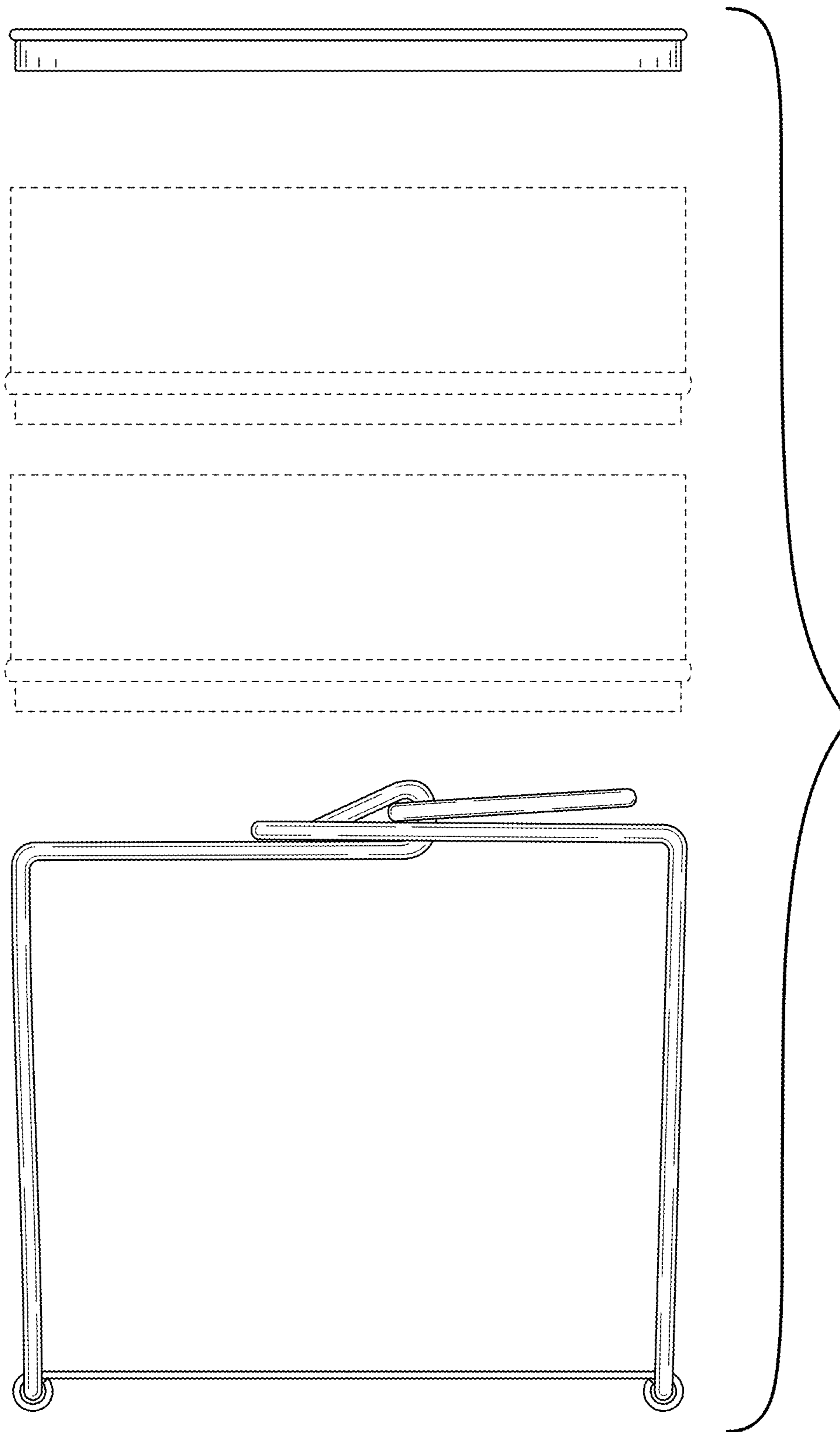


FIG. 3

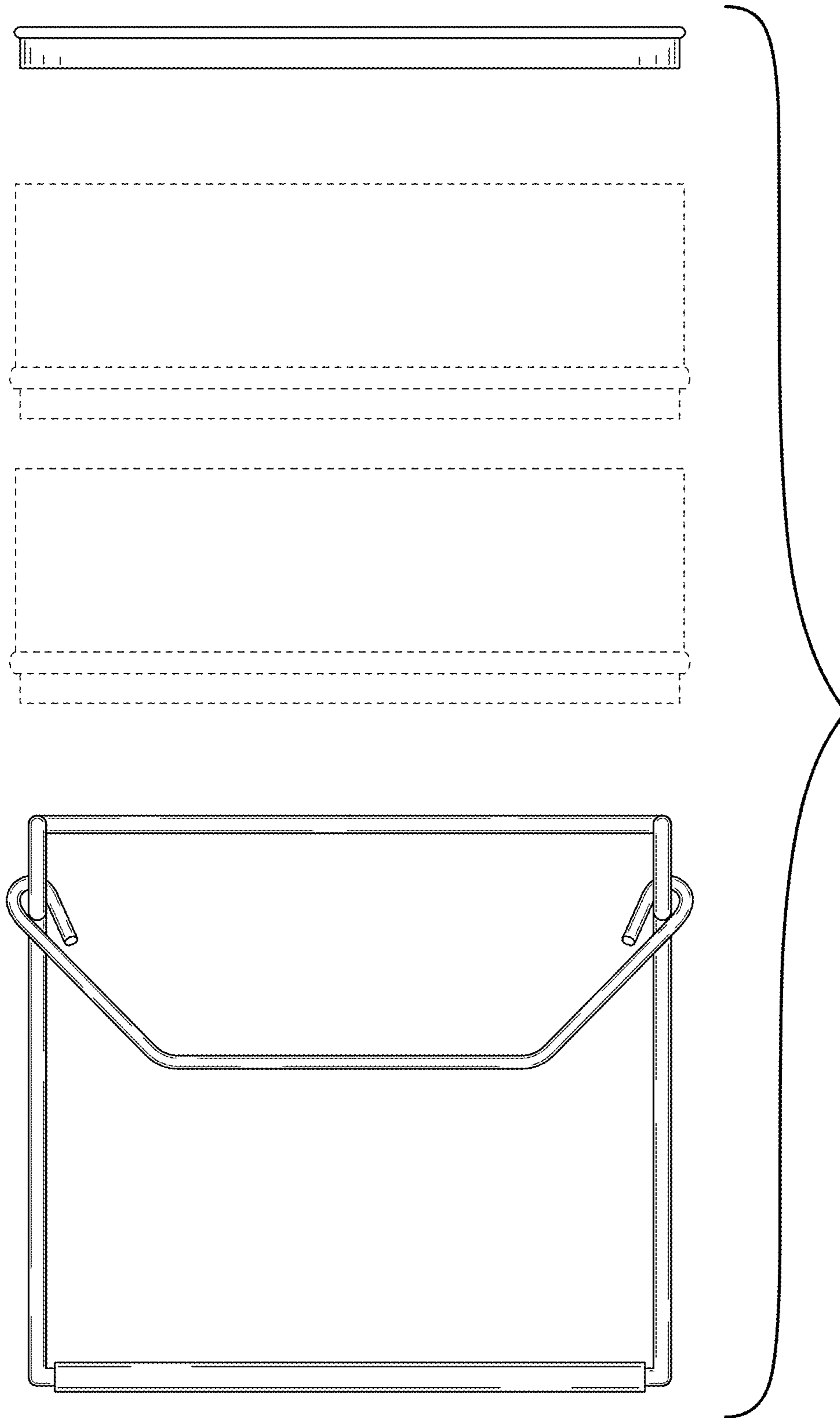


FIG. 4

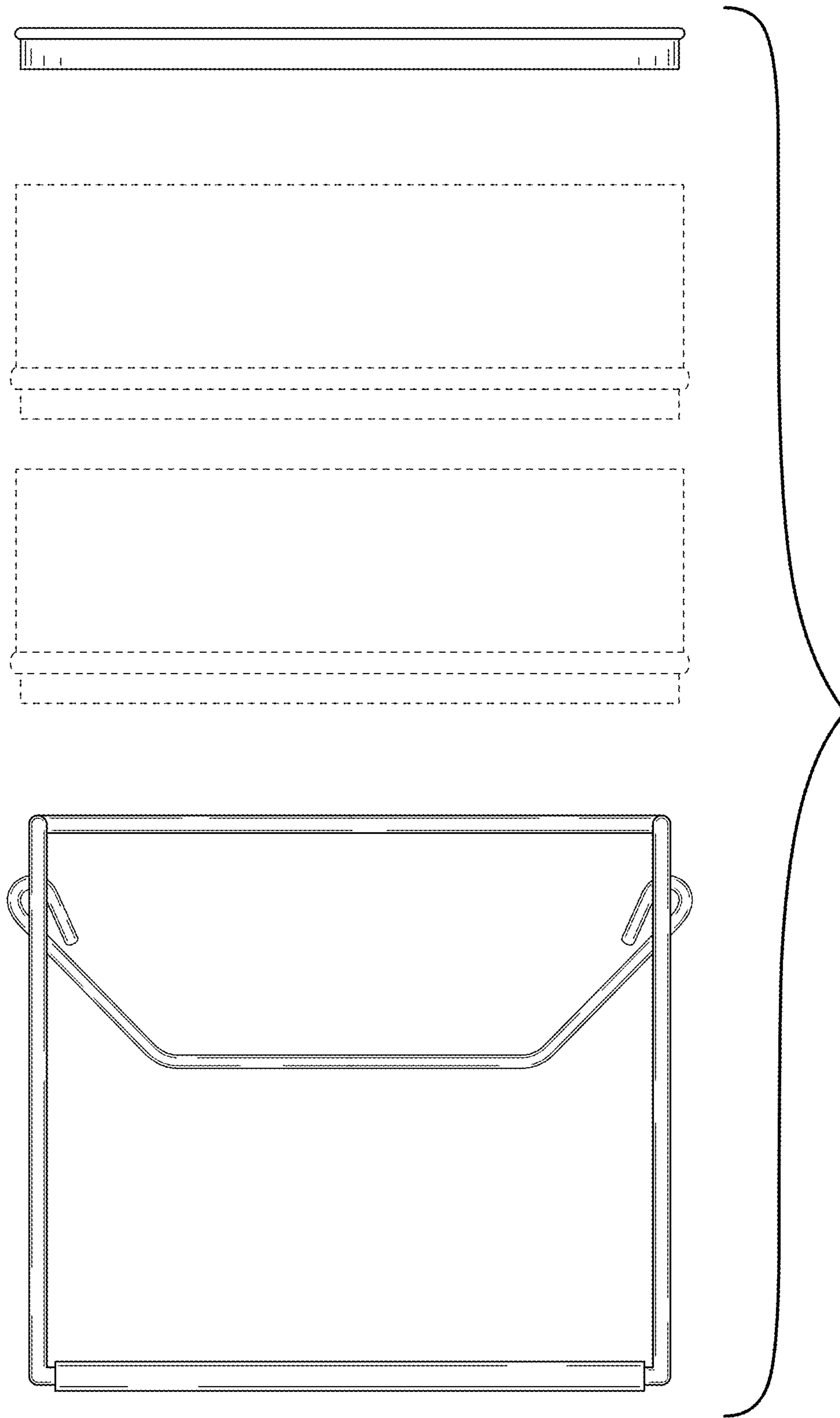


FIG. 5

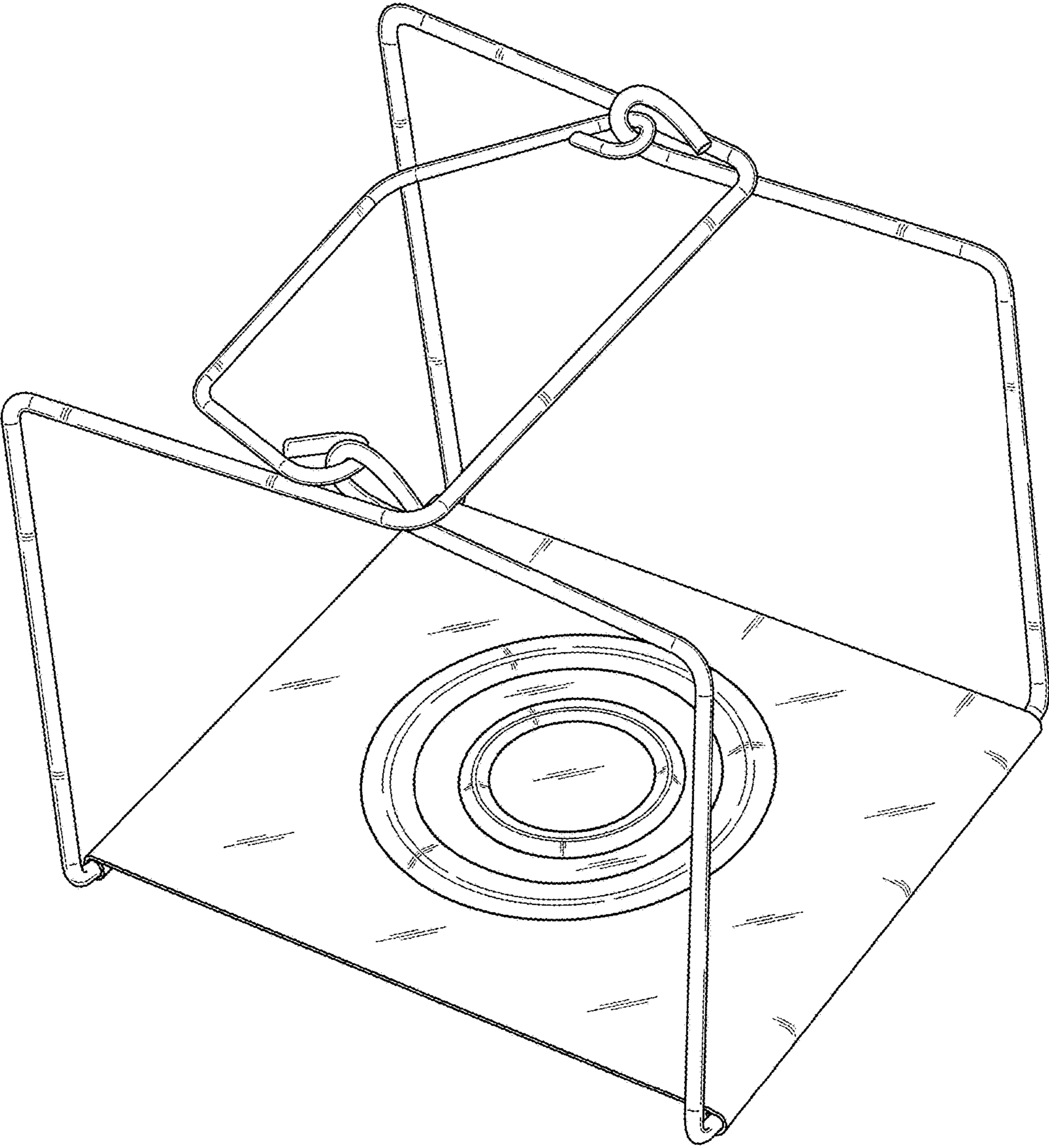


FIG. 6

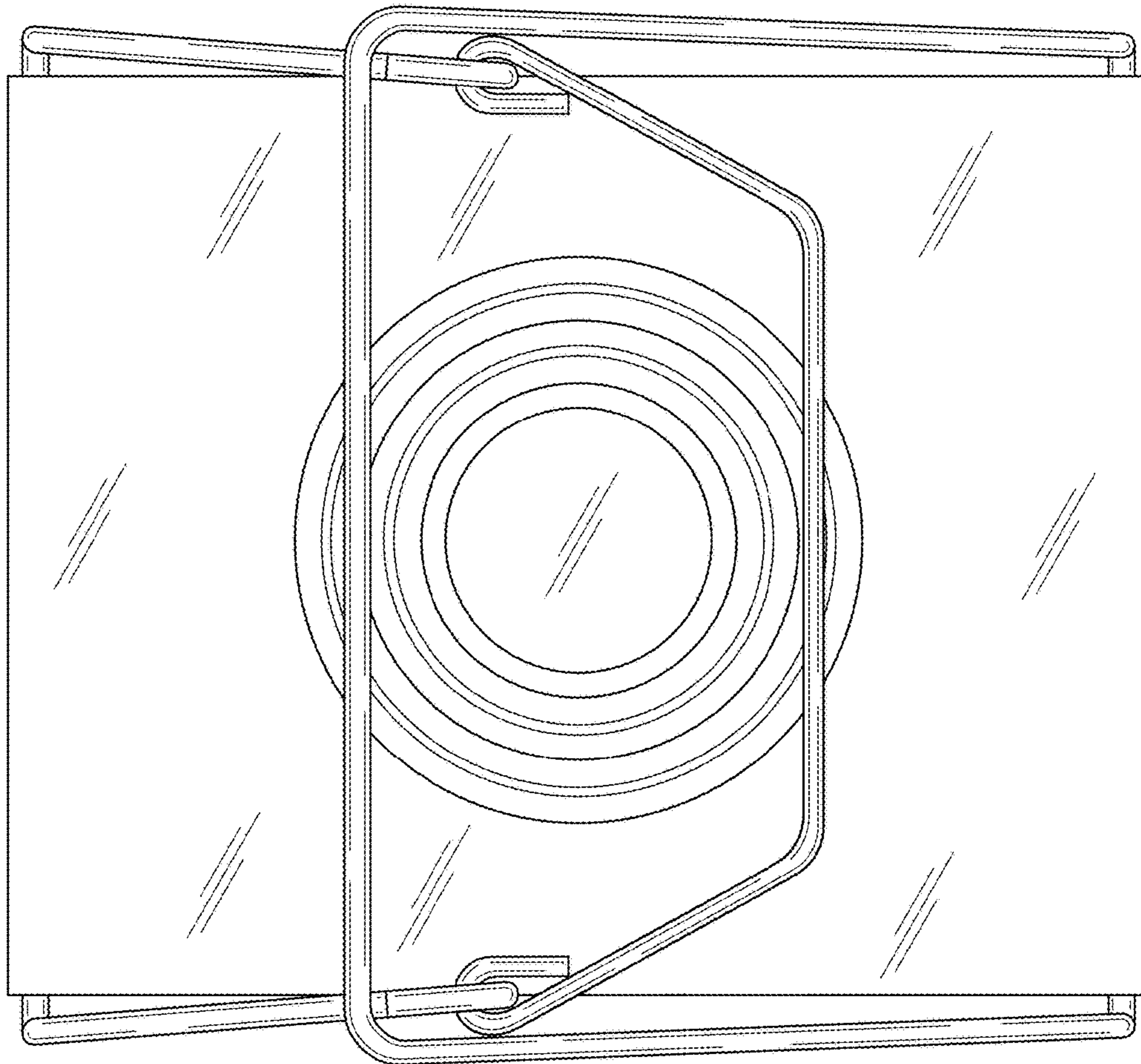


FIG. 7

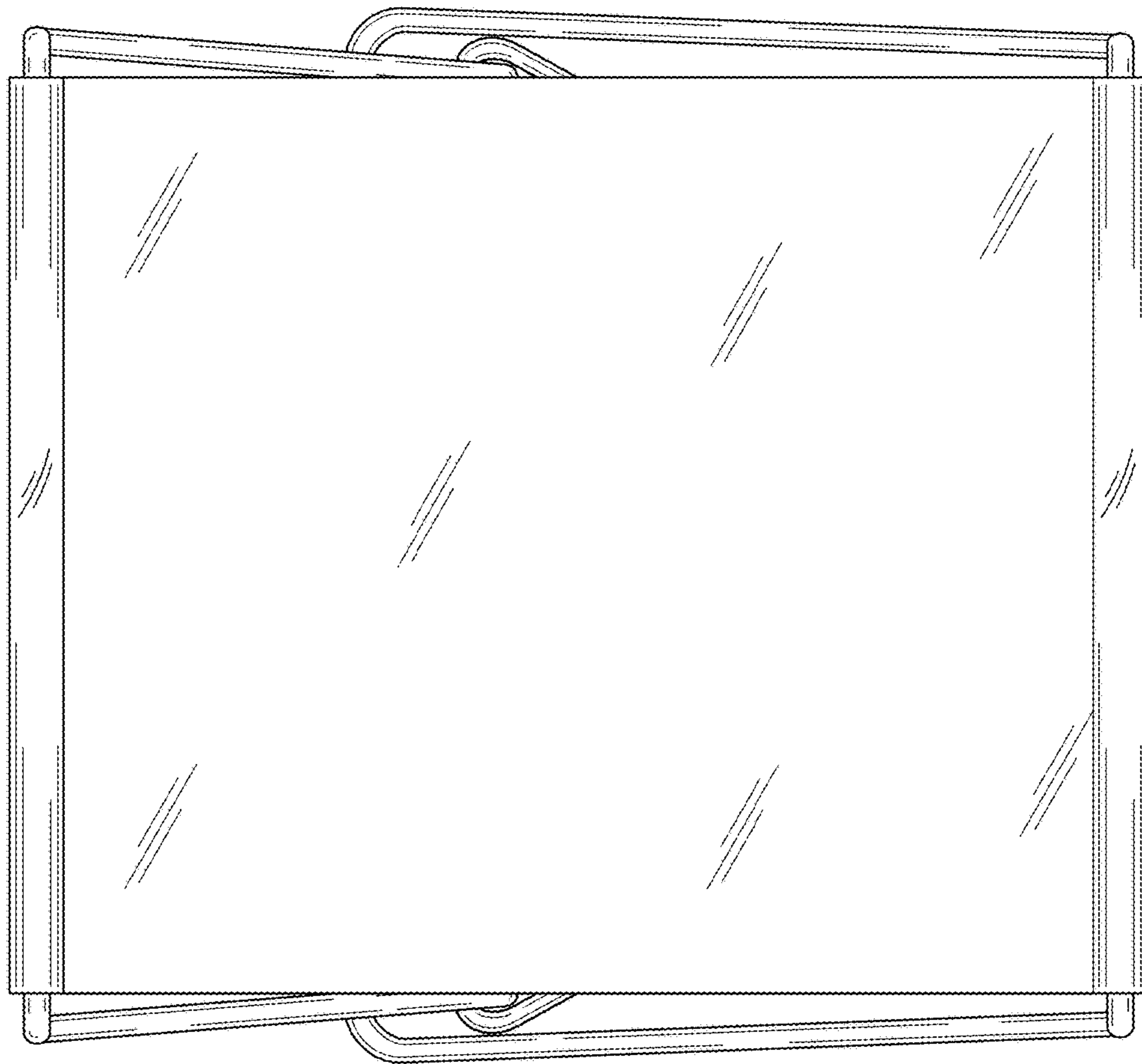


FIG. 8

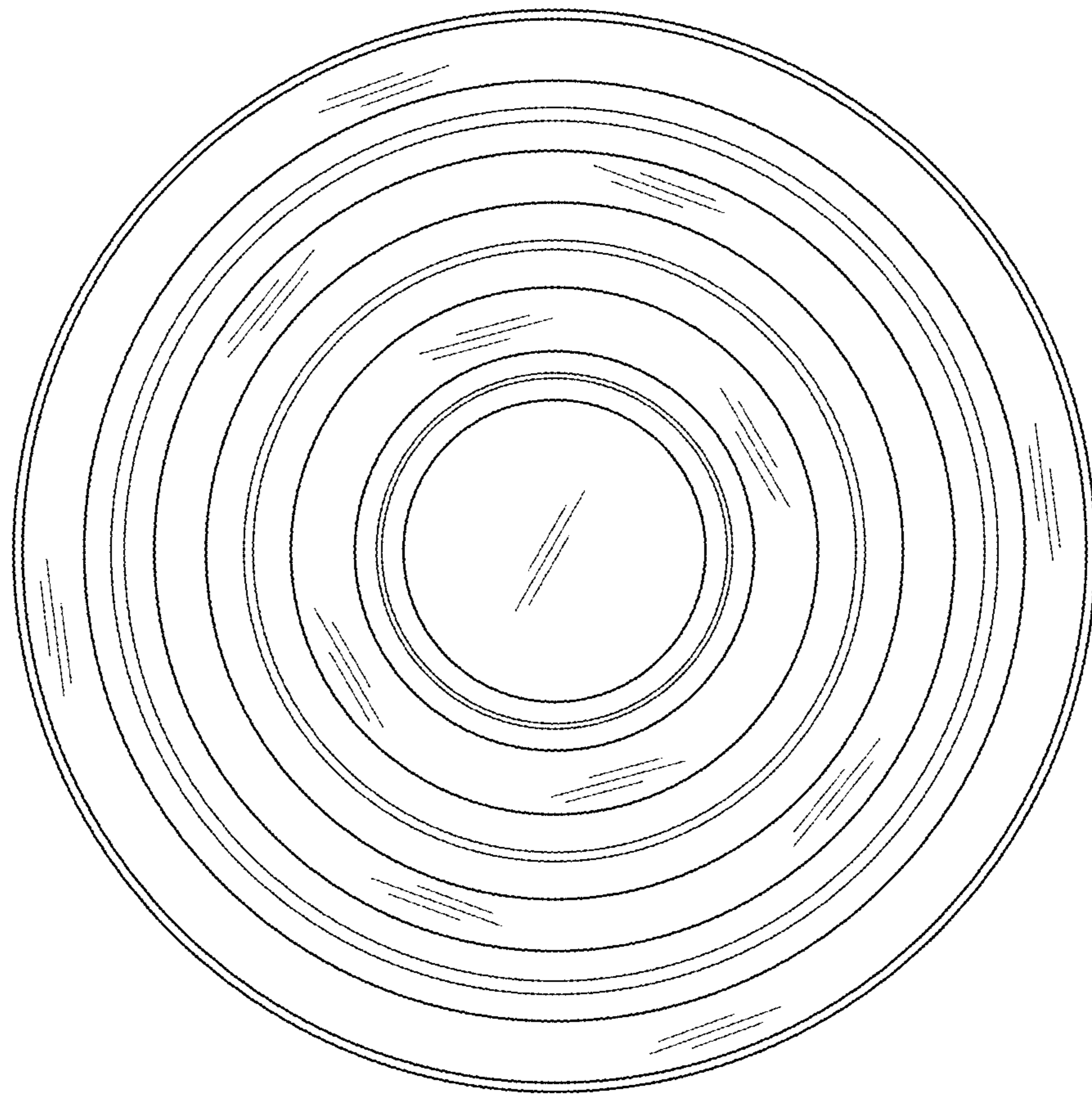


FIG. 9

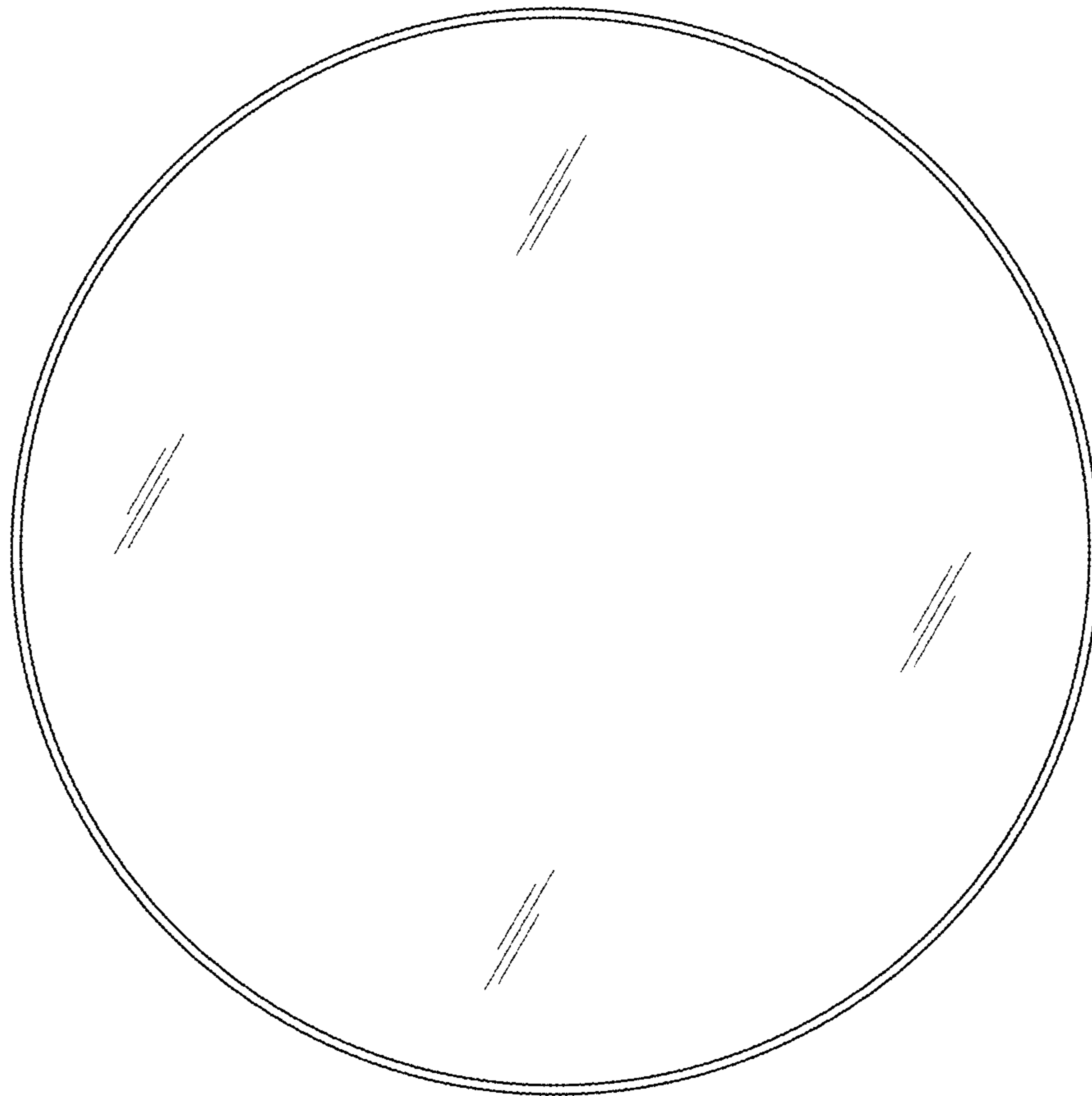


FIG. 10

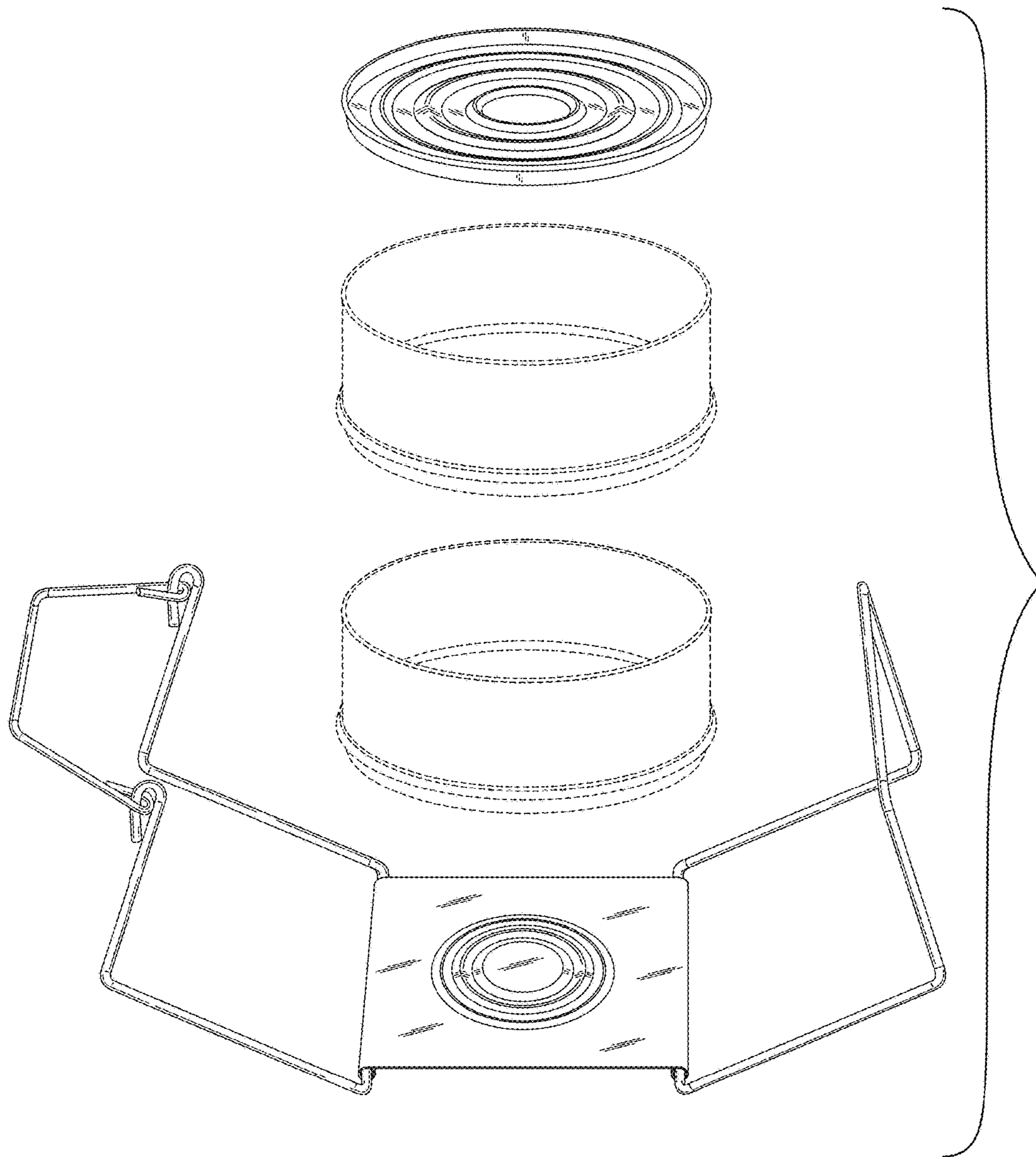


FIG. 11