



US00D841395S

(12) **United States Design Patent** (10) **Patent No.:** **US D841,395 S**  
**Adams, Jr. et al.** (45) **Date of Patent:** **\*\* Feb. 26, 2019**

(54) **COFFEE DRIPPER**

(71) Applicant: **Klean Kanteen, Inc.**, Chico, CA (US)

(72) Inventors: **Richard John Adams, Jr.**, Bozeman, MT (US); **Joshua James Birkle**, Chico, CA (US); **James Osgood**, Chico, CA (US)

(73) Assignee: **KLEAN KANTEEN, INC.**, Chico, CA (US)

(\*\*) Term: **15 Years**

(21) Appl. No.: **29/633,346**

(22) Filed: **Jan. 12, 2018**

(51) **LOC (11) Cl.** ..... **07-99**

(52) **U.S. Cl.**  
USPC ..... **D7/400**

(58) **Field of Classification Search**  
USPC ..... D7/305, 309, 310, 312, 396.1, 396.2,  
D7/397, 399, 400, 401, 507, 509, 523  
CPC ..... A47J 31/005; A47J 31/06; A47J 31/0615;  
A47J 31/0626  
See application file for complete search history.

(56) **References Cited**

**U.S. PATENT DOCUMENTS**

D361,632 S \* 8/1995 Ratia ..... D26/10  
D694,066 S \* 11/2013 Volkov ..... D7/507  
D717,110 S \* 11/2014 De Leo ..... D7/399

D794,375 S \* 8/2017 Fukushima ..... D7/309  
D796,897 S \* 9/2017 Sunderland ..... D7/396.2  
D797,501 S \* 9/2017 Thurlow ..... D7/400  
D803,620 S \* 11/2017 Yeh ..... D7/400  
D824,213 S \* 7/2018 Abrell ..... D7/507  
D828,089 S \* 9/2018 Schueler ..... D7/400

\* cited by examiner

*Primary Examiner* — Derrick E Holland

*Assistant Examiner* — Andrew Kerr

(74) *Attorney, Agent, or Firm* — Alleman Hall Creasman & Tuttle LLP

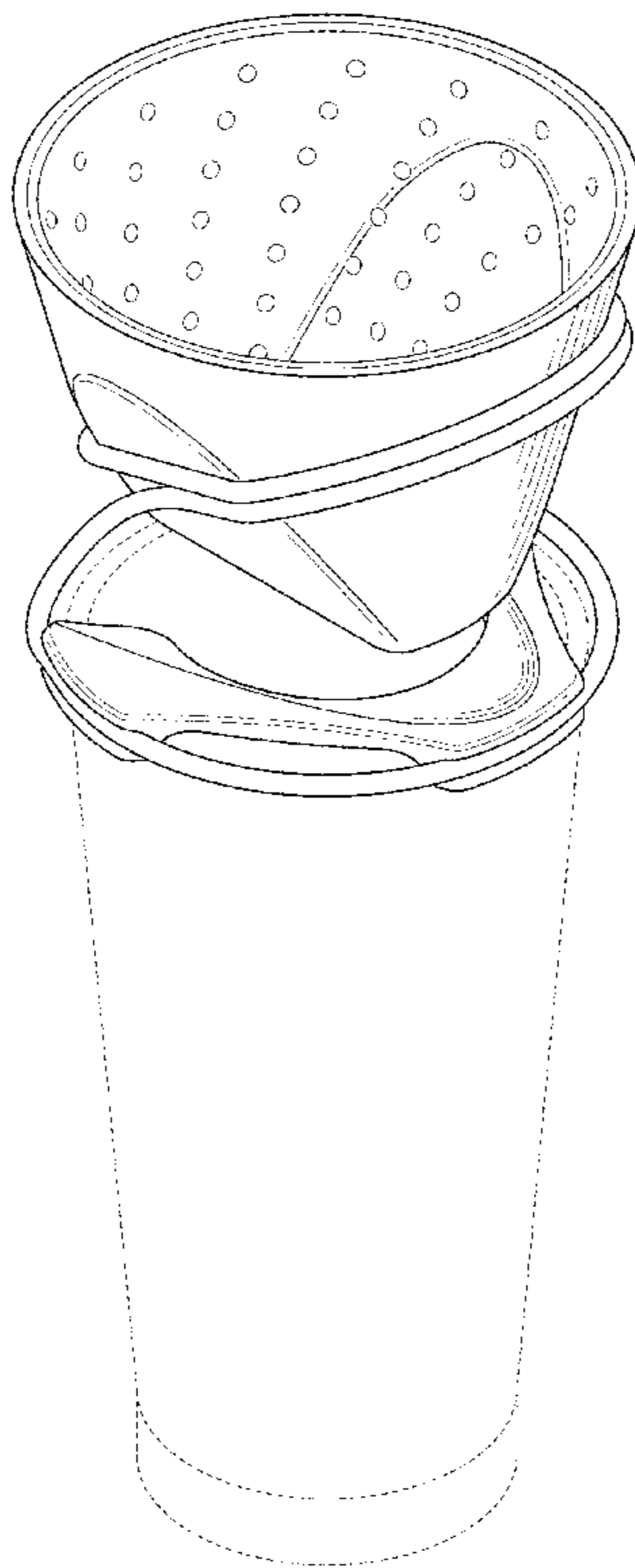
(57) **CLAIM**

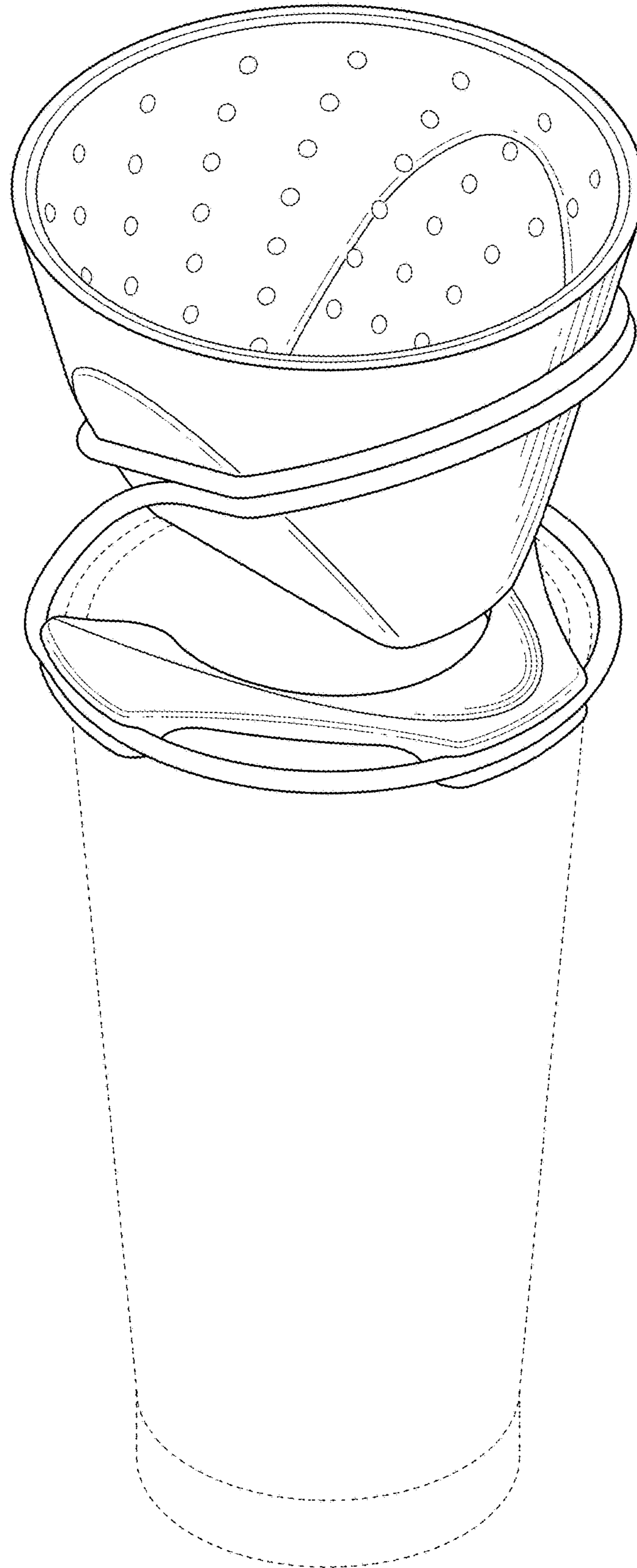
The ornamental design for a coffee dripper, as shown and described.

**DESCRIPTION**

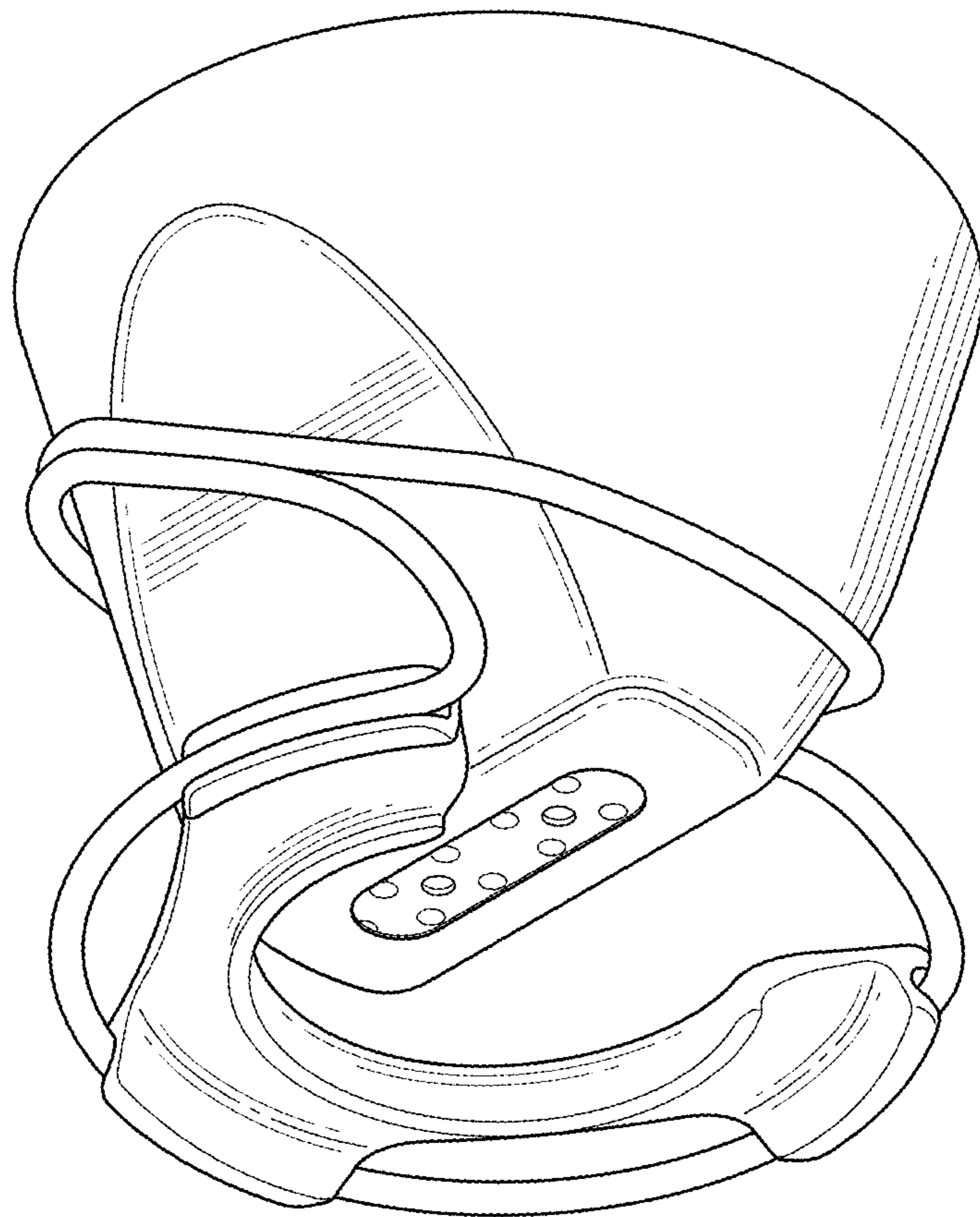
FIG. 1 is a top perspective view of a coffee dripper showing our new design, in use condition;  
FIG. 2 is a bottom perspective view thereof;  
FIG. 3 is a front elevation view thereof;  
FIG. 4 is a back elevation view thereof;  
FIG. 5 is a right-side elevation view thereof, a left-side elevation view being a mirror image;  
FIG. 6 is a top plan view thereof; and,  
FIG. 7 is a bottom plan view thereof.  
The broken lines shown in FIG. 1 are for the purpose of illustrating environmental structure only and form no part of the claimed design.

**1 Claim, 7 Drawing Sheets**

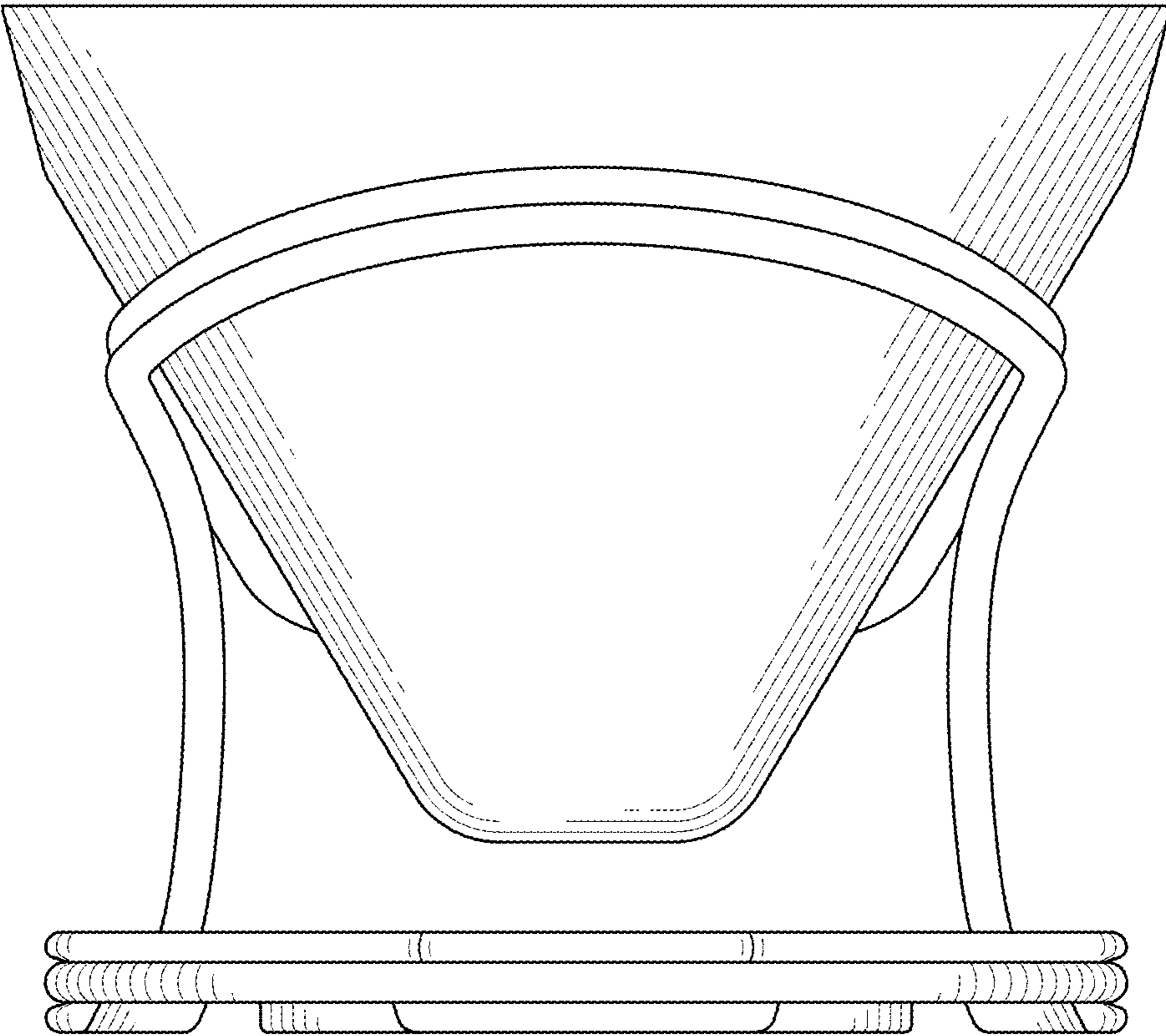




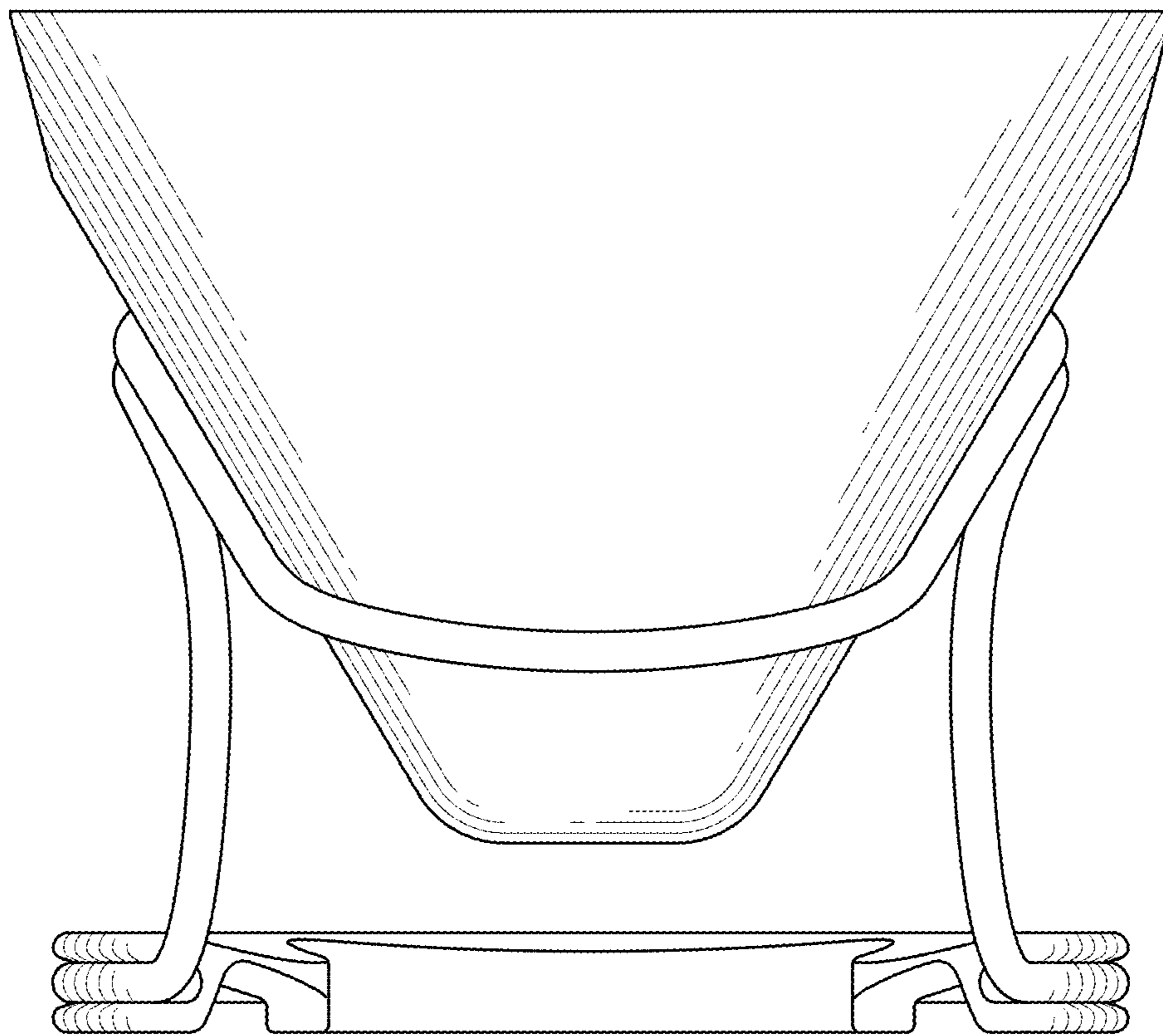
**FIG. 1**



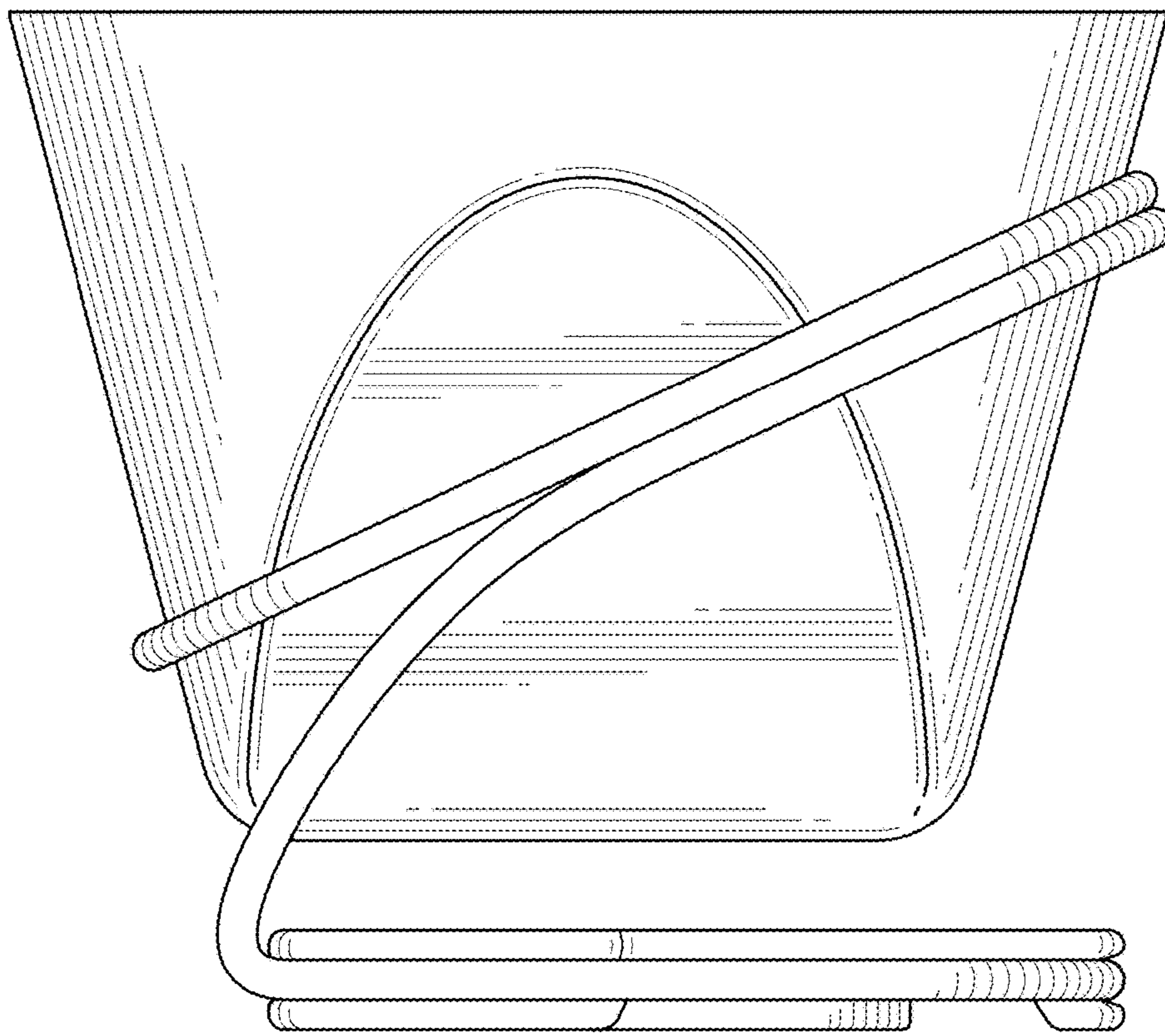
**FIG. 2**



**FIG. 3**



**FIG. 4**



**FIG. 5**

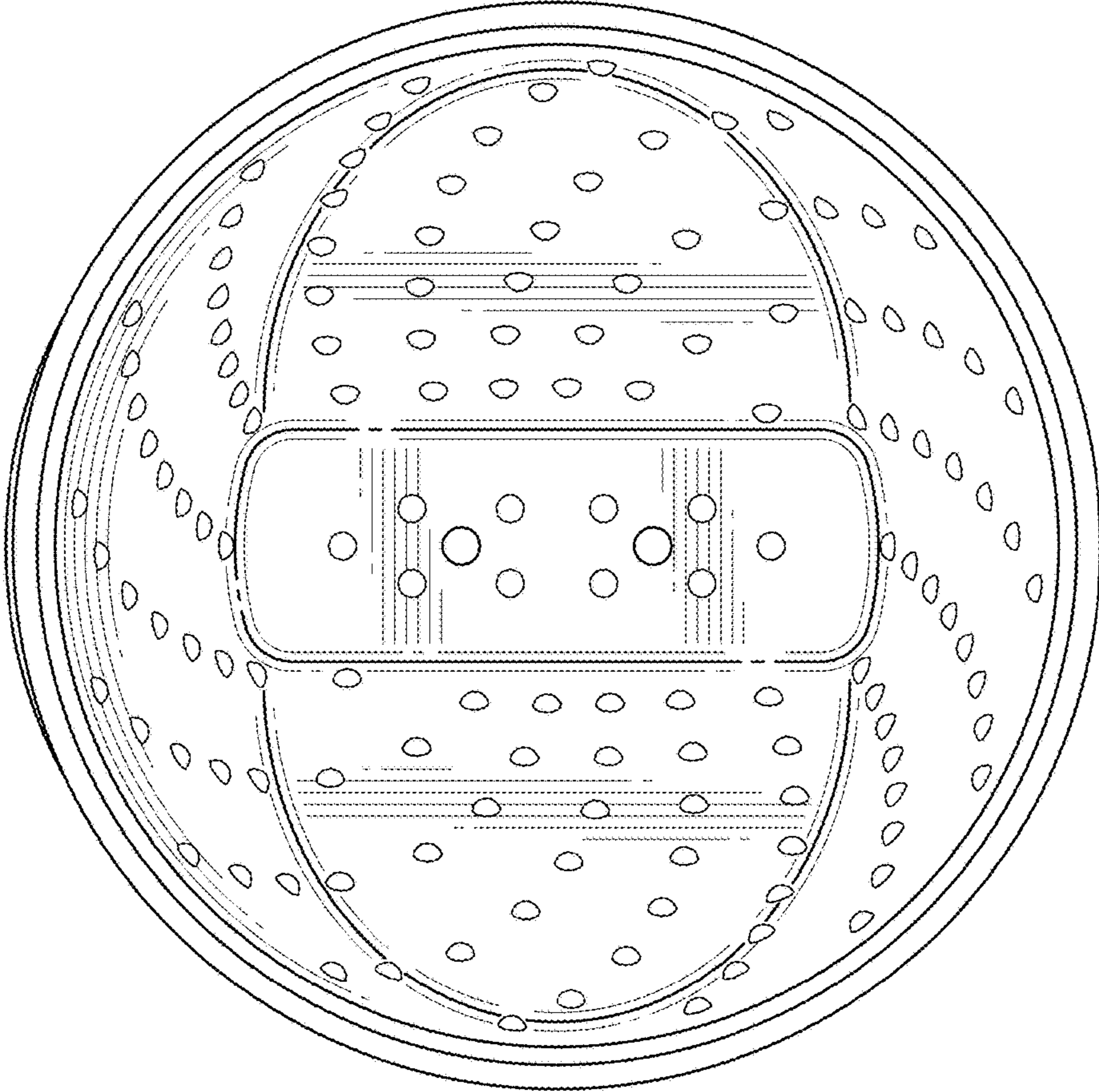
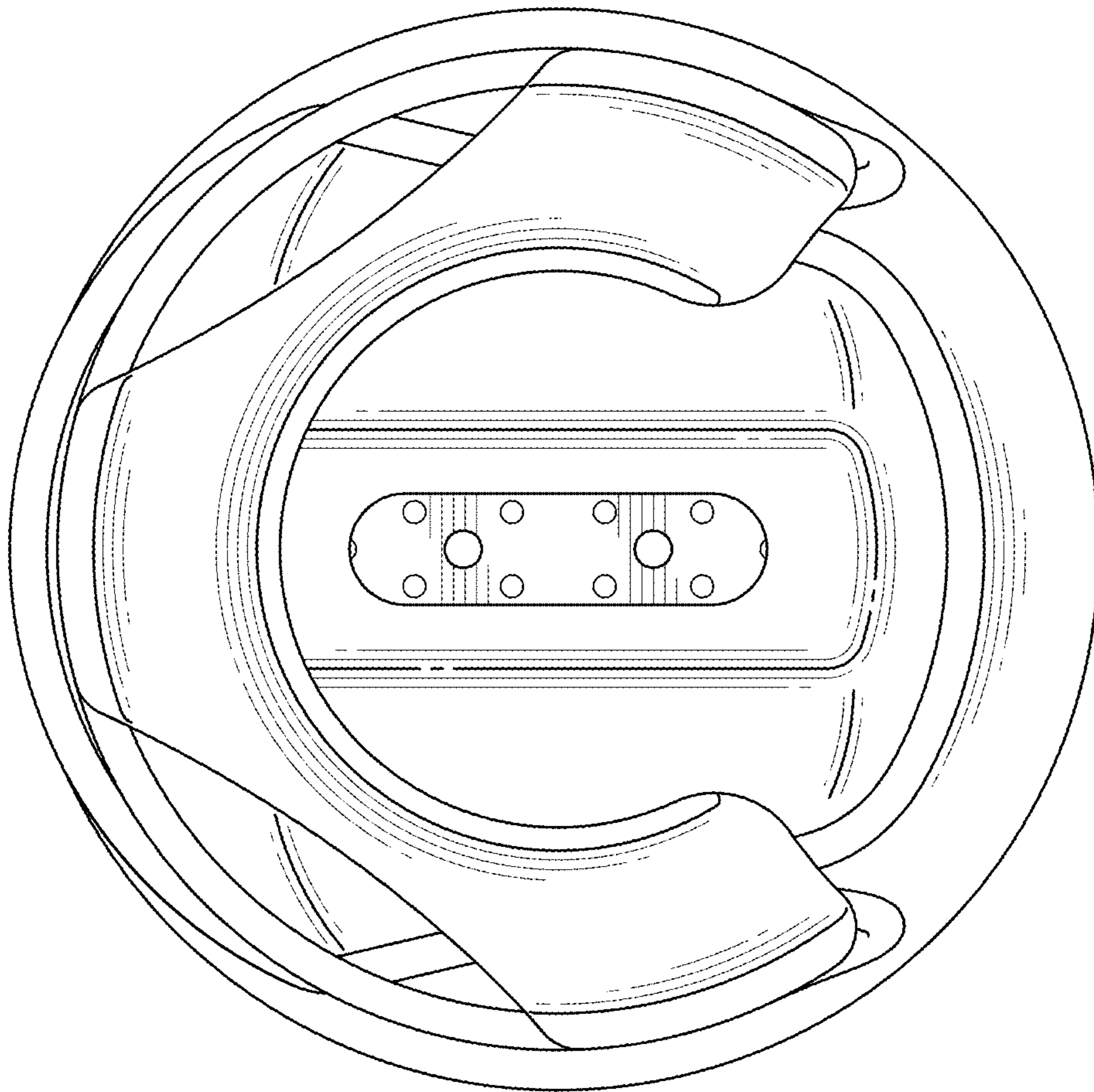


FIG. 6



**FIG. 7**