



US00D841393S

(12) **United States Design Patent**
Adams, Jr. et al.

(10) **Patent No.:** **US D841,393 S**
(45) **Date of Patent:** **** Feb. 26, 2019**

(54) **CAP FOR FLUID CONTAINER**

(71) Applicant: **Klean Kanteen, Inc.**, Chico, CA (US)

(72) Inventors: **Richard John Adams, Jr.**, Bozeman, MT (US); **Joshua James Birkle**, Chico, CA (US)

(73) Assignee: **KLEAN KANTEEN, INC.**, Chico, CA (US)

(**) Term: **15 Years**

(21) Appl. No.: **29/628,378**

(22) Filed: **Dec. 4, 2017**

(51) **LOC (11) Cl.** **07-99**

(52) **U.S. Cl.**

USPC **D7/392.1**; D7/392

(58) **Field of Classification Search**

USPC D9/452, 453, 454, 435, 447, 449;
D7/391, 392, 392.1, 510, 511, 538, 540,
D7/542, 543, 544, 545, 629

CPC ... A47G 19/2205; A47G 19/2222; A45F 3/16;
A45F 3/20; B67D 7/06; B67D 7/0004;
B65D 25/14; B65D 47/065; B65D
47/066; B65D 2543/00101; B65D
2543/00027

See application file for complete search history.

(56) **References Cited**

U.S. PATENT DOCUMENTS

D120,464 S * 5/1940 Martin D9/434
D359,683 S * 6/1995 Beach D9/434
D381,243 S * 7/1997 Goto D7/392
D386,410 S * 11/1997 Mahlmann D9/445
D507,744 S * 7/2005 Hierzer D9/440

D551,075 S * 9/2007 Puller D9/447
D651,931 S * 1/2012 Molik D11/3
D710,236 S * 8/2014 Lee D10/104.2
D768,489 S * 10/2016 Indruk D9/447
D780,616 S * 3/2017 Hardy D11/26
D789,234 S * 6/2017 Baker D11/26

OTHER PUBLICATIONS

Klean Kanteen, TKPro, Publication date unknown, [site visited Nov. 5, 2018], Available on the Internet URL <https://www.kleankanteen.com/pages/tkpro-insulated-thermal-bottle>.*

* cited by examiner

Primary Examiner — Karen S Acker

Assistant Examiner — Steven B Reinholdt, Jr.

(74) *Attorney, Agent, or Firm* — Alleman Hall Creasman & Tuttle LLP

(57) **CLAIM**

The ornamental design for a cap for fluid container, as shown and described.

DESCRIPTION

FIG. 1 is a front isometric view of a cap for fluid container showing the new design.

FIG. 2 is a back isometric view thereof, with the cap for fluid container depicted upside down.

FIG. 3 is a top plan view thereof.

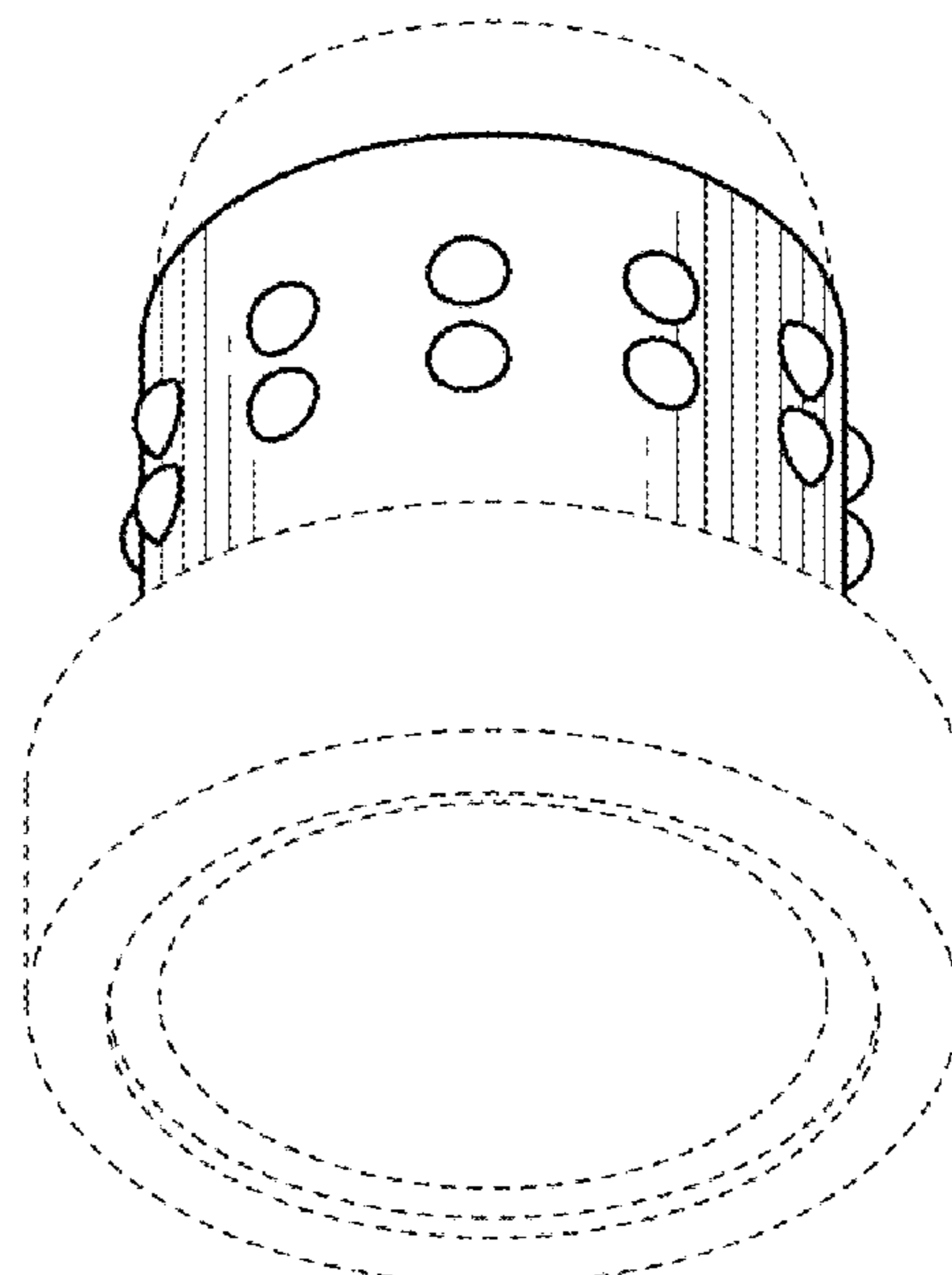
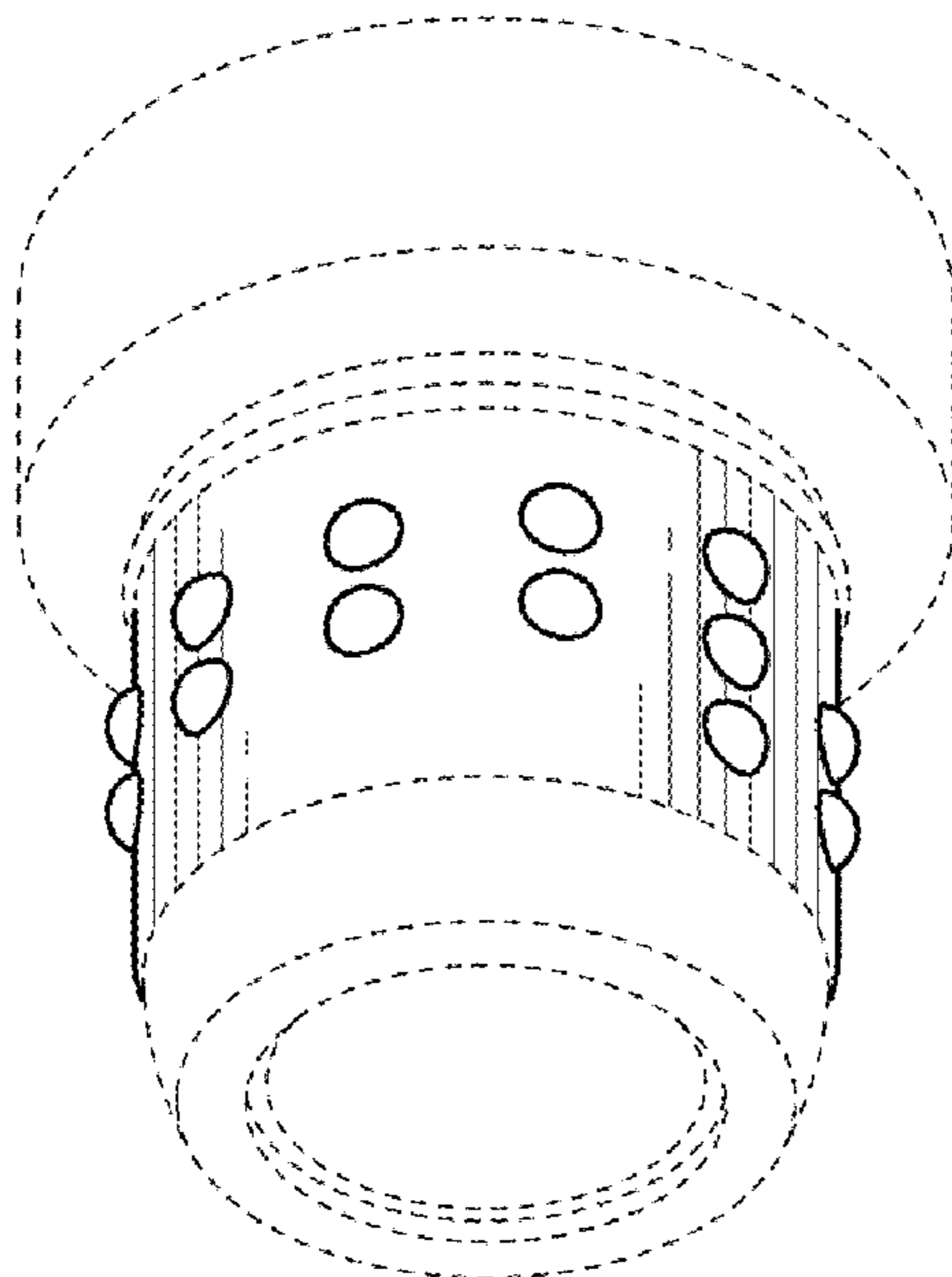
FIG. 4 is a front elevational view thereof.

FIG. 5 is a bottom plan view thereof; and,

FIG. 6 is a back elevational view thereof, with the cap for fluid container depicted upside down.

The broken lines and areas adjacent to shaded parts of the article depict portions of the cap for fluid container that form no part of the claimed design.

1 Claim, 1 Drawing Sheet



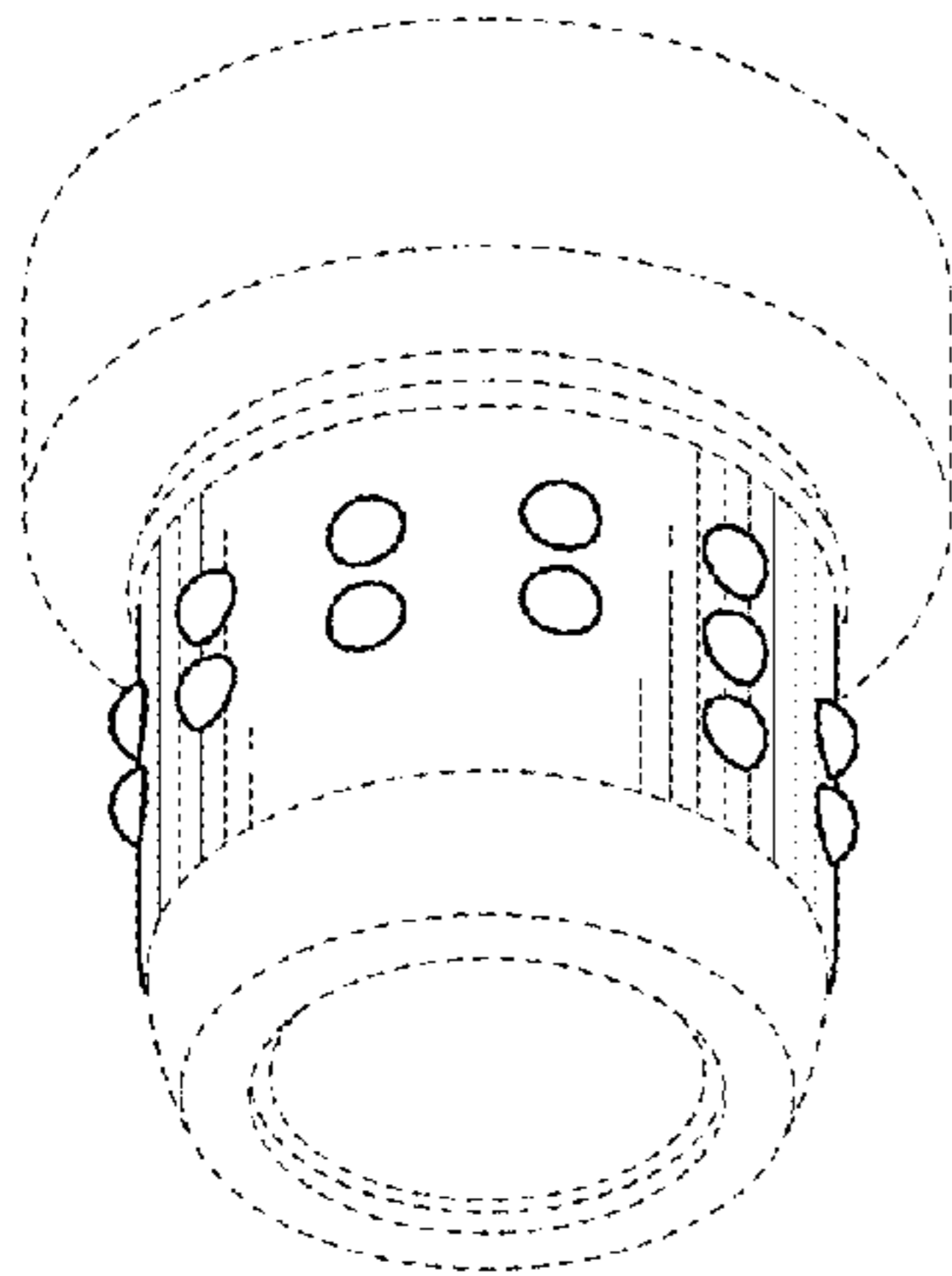


FIG. 1

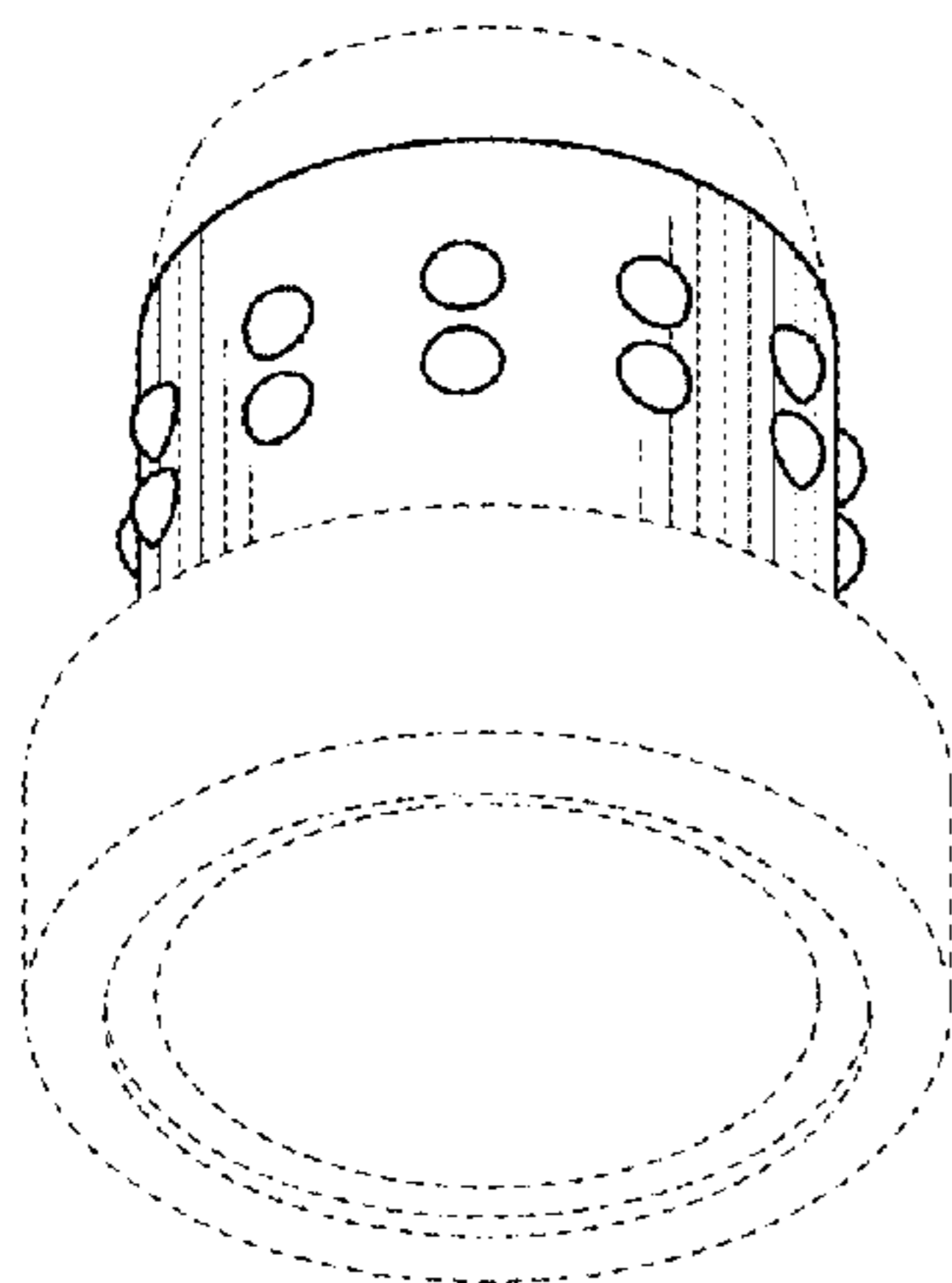


FIG. 2

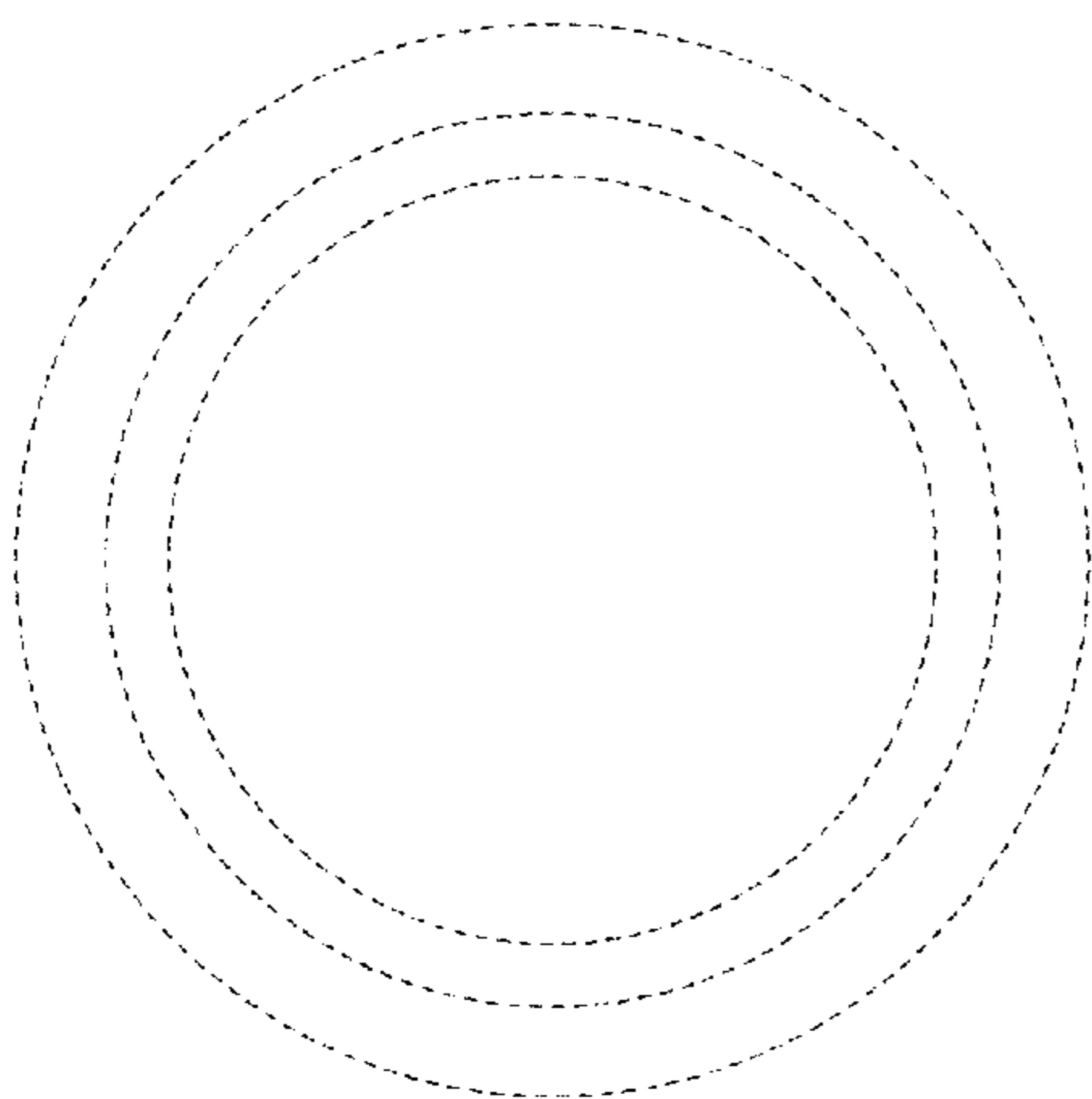


FIG. 3

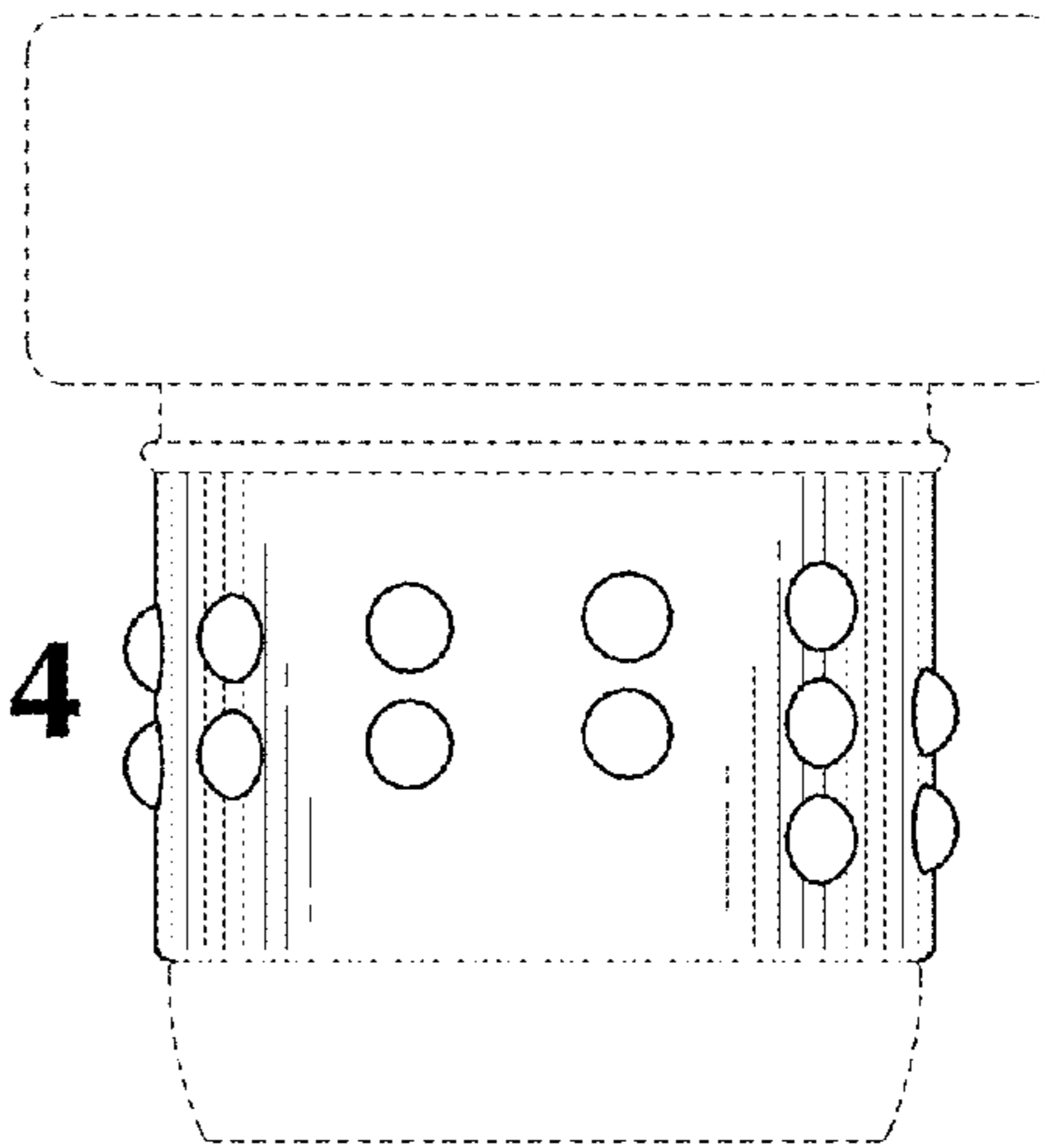


FIG. 4

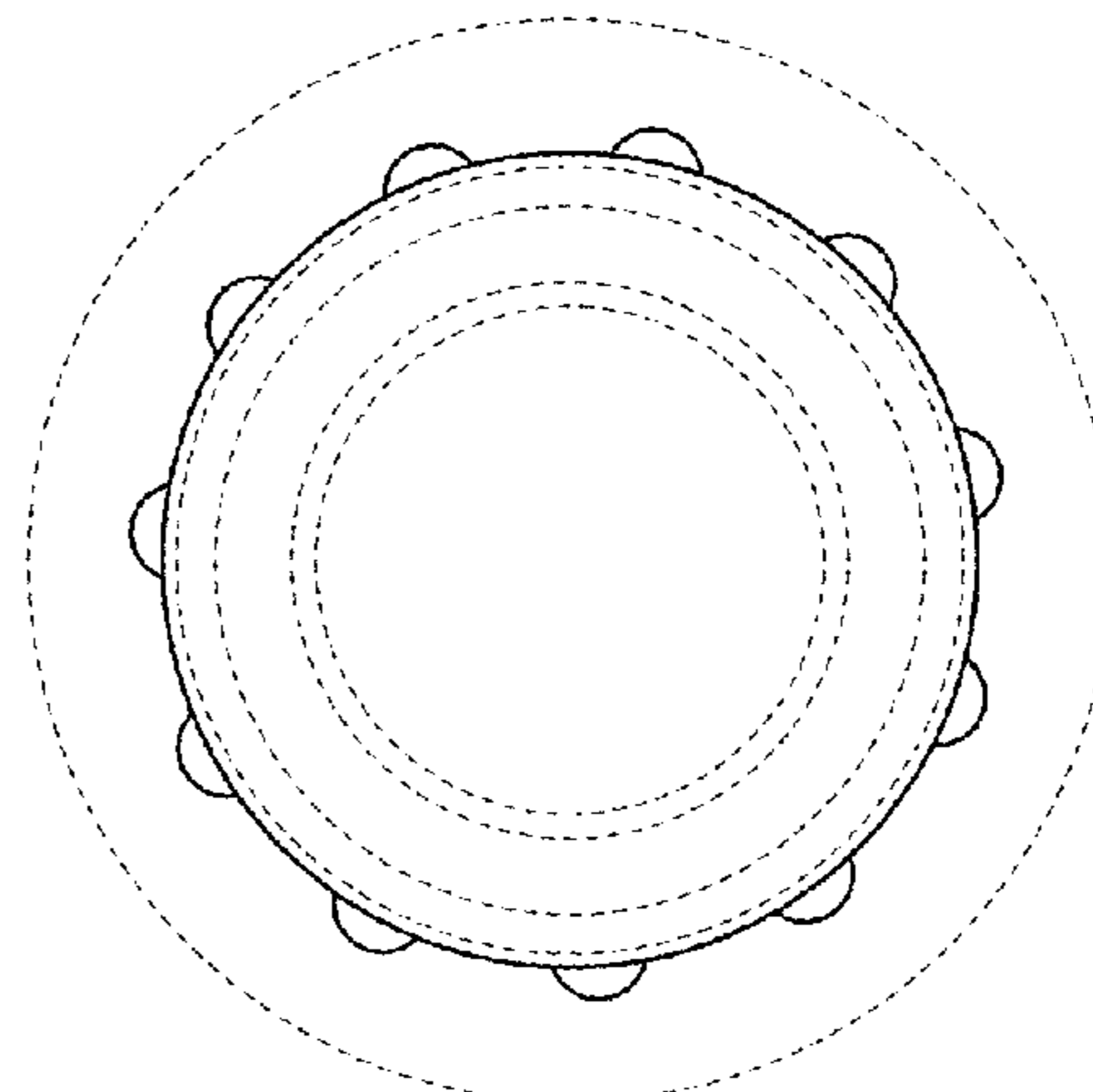


FIG. 5

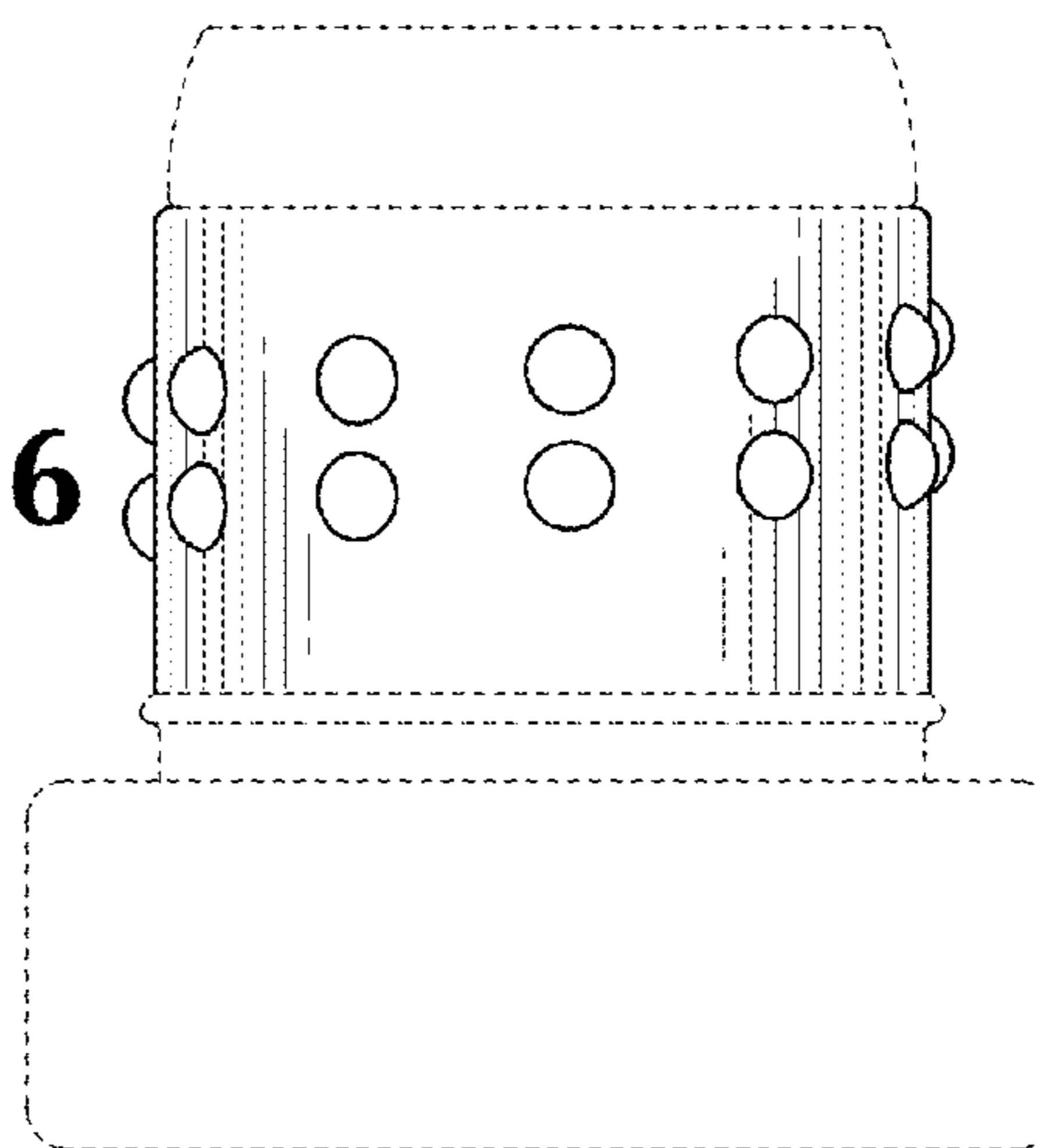


FIG. 6