



US00D841391S

(12) **United States Design Patent** (10) **Patent No.:** **US D841,391 S**
Papé (45) **Date of Patent:** **** Feb. 26, 2019**

- (54) **CAP FOR A BOTTLE**
- (71) Applicant: **Bryan Papé**, Seattle, WA (US)
- (72) Inventor: **Bryan Papé**, Seattle, WA (US)
- (**) Term: **15 Years**
- (21) Appl. No.: **29/610,530**
- (22) Filed: **Jul. 13, 2017**
- (51) **LOC (11) Cl.** **07-02**
- (52) **U.S. Cl.**
USPC **D7/391**
- (58) **Field of Classification Search**
USPC D7/372, 376-386, 391, 412-413, 510,
D7/511, 602, 608, 629, 665-666, 669,
D7/679, 693-694; D9/443
CPC A21C 1/02; A21C 1/04; A23N 1/00; A23N
1/02; A47J 43/04; A47J 43/25; A47J
43/27; A47J 43/042; A47J 43/044; A47J
43/046; A47J 43/075; A47J 43/0722;
A47J 43/0727; B01F 3/00; B01F 3/0807;
B01F 3/0853; B01F 13/0059; B01F
13/0064; B02C 1/08; B02C 2/04; B02C
4/42; B02C 4/142; B02C 4/143; B02C
4/423; B02C 13/1835; B28C 5/10; B28C
5/12; B28C 5/14; B28C 5/16
See application file for complete search history.

- (56) **References Cited**
U.S. PATENT DOCUMENTS
D279,346 S * 6/1985 Ruxton D7/321
D539,608 S * 4/2007 Lapsker G01F 23/0076
D7/510
D614,918 S * 5/2010 Chisholm B65D 47/066
D7/510

- D623,896 S * 9/2010 Wahl D7/392.1
- D627,602 S * 11/2010 Eyal G01F 23/0076
D7/510
- D652,255 S * 1/2012 Carland B65D 47/066
D7/510
- D662,360 S * 6/2012 George A45D 34/00
D7/510
- D668,913 S * 10/2012 Mayer D7/510
- D702,506 S * 4/2014 Mettler D7/608
- D758,859 S * 6/2016 Sorensen D7/393
- D781,146 S * 3/2017 Seiders D7/392.1
- D814,852 S * 4/2018 Melanson A45D 34/00
D7/391
- D828,094 S * 9/2018 Jackson D7/511

* cited by examiner
Primary Examiner — Ricky Pham
(74) *Attorney, Agent, or Firm* — Janeway Patent Law, PLLC; John M. Janeway

(57) **CLAIM**
The ornamental design for a cap for a bottle, as shown and described.

DESCRIPTION
FIG. 1 is a perspective view of a cap for a bottle, according to the invention.
FIG. 2 is a front elevation view of the cap for a bottle.
FIG. 3 is a rear elevation view of the cap for a bottle.
FIG. 4 is a left side elevation view of the cap for a bottle.
FIG. 5 is a right side elevation view of the cap for a bottle; and,
FIG. 6 is a top plan view of the cap for a bottle.
The broken lines in FIGS. 1-5 show other structure of the bottle and do not form a part of the claimed design.

1 Claim, 3 Drawing Sheets

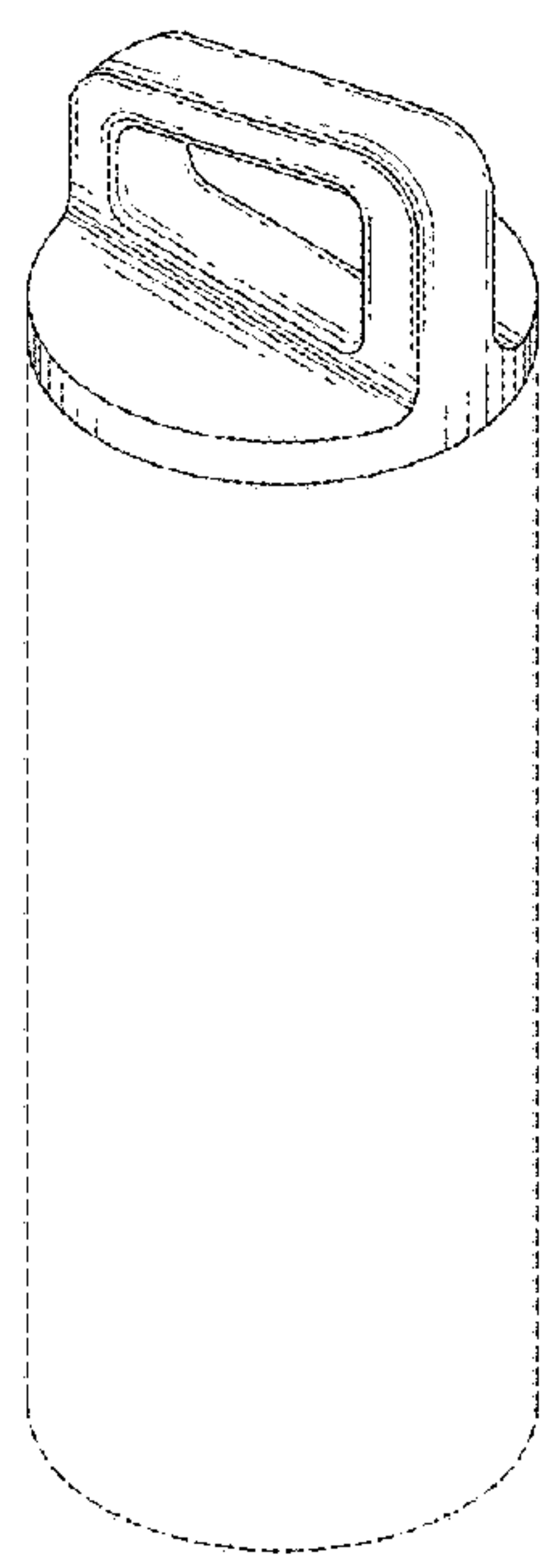


FIG. 1

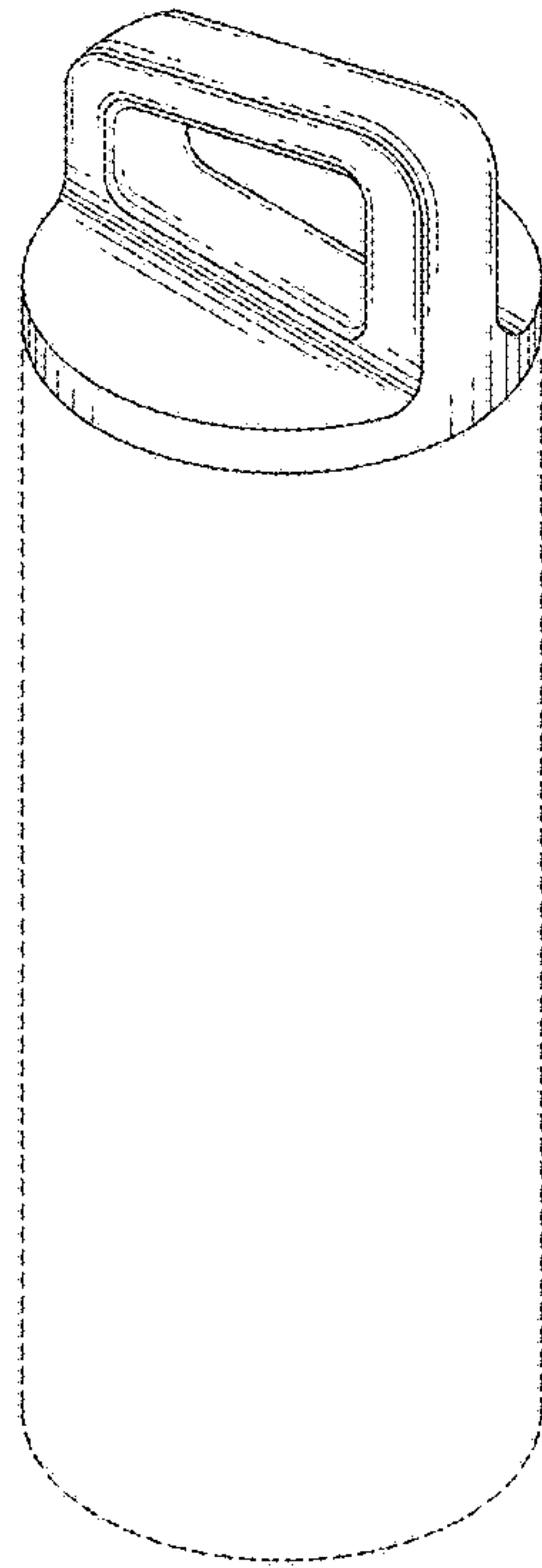


FIG. 6

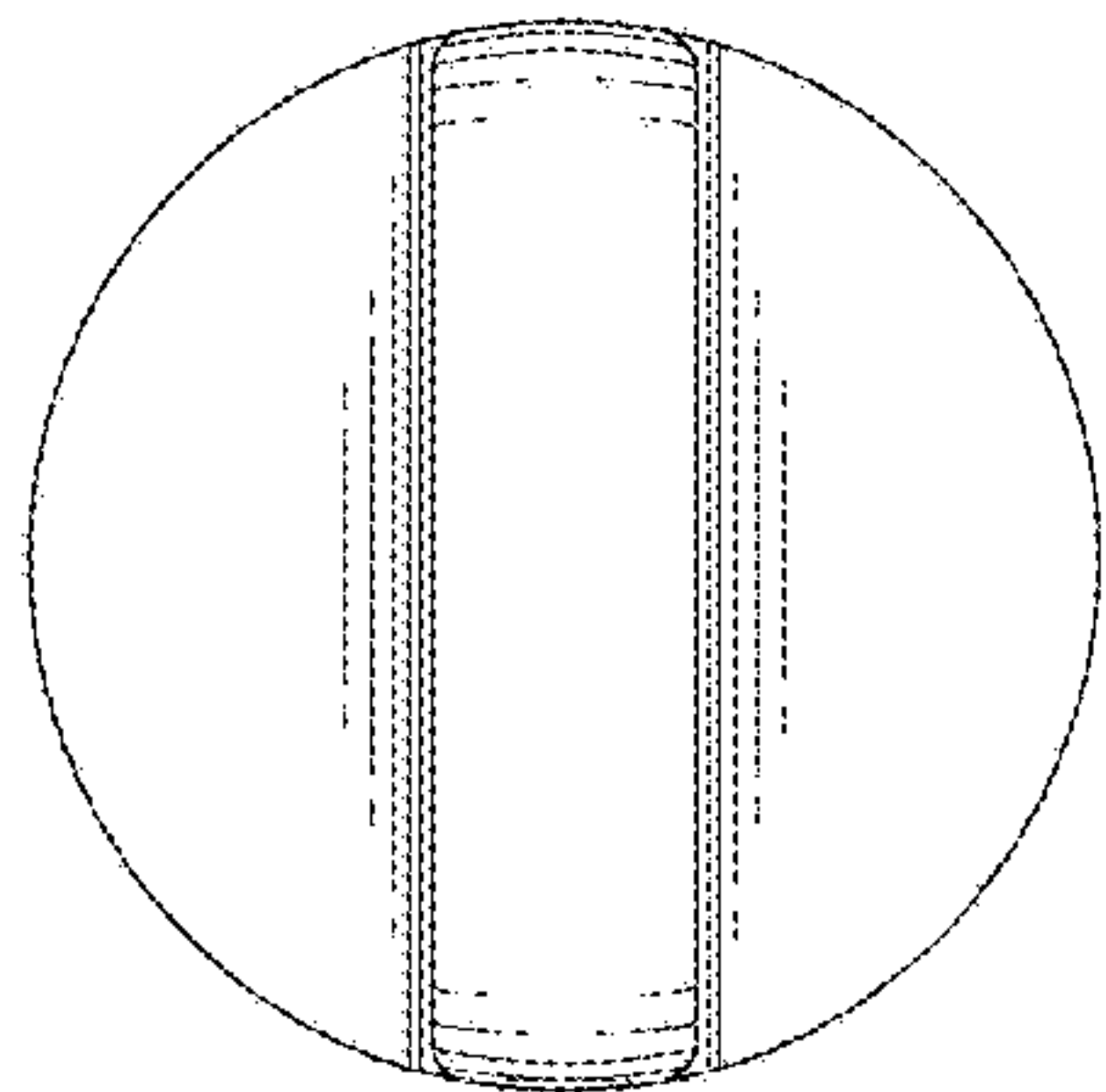


FIG. 2

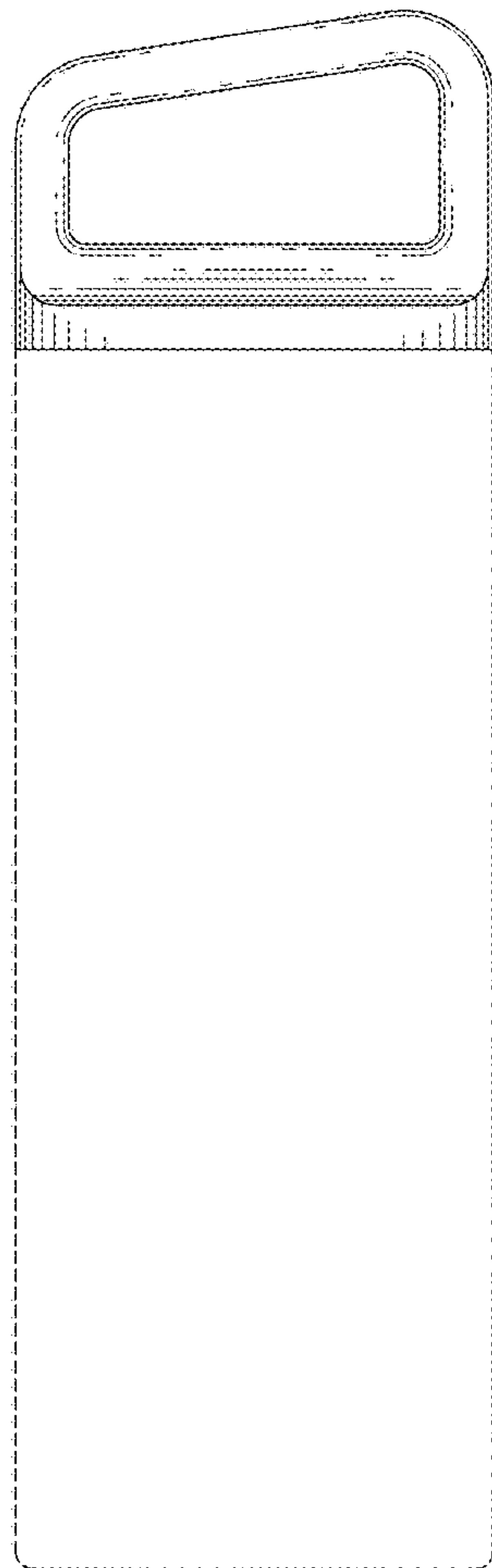


FIG. 3

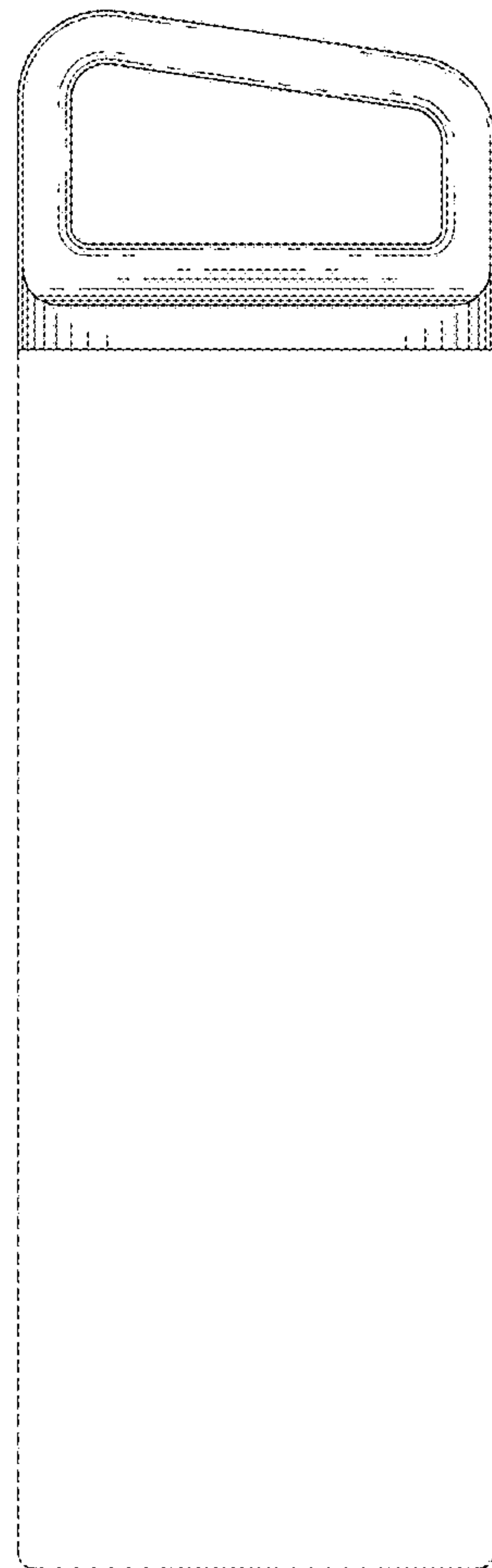


FIG. 4

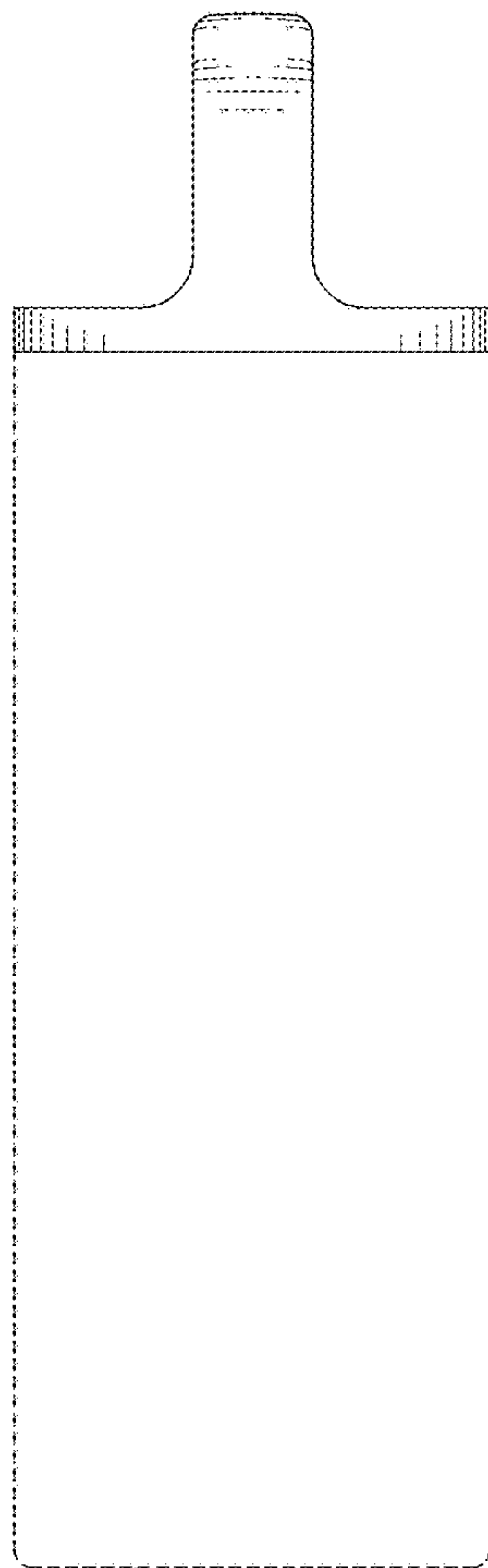


FIG. 5

