

US00D841390S

(12) **United States Design Patent** (10) **Patent No.:** **US D841,390 S**
Ancona et al. (45) **Date of Patent:** **** Feb. 26, 2019**

(54) **PASTA MAKER**

(71) Applicant: **IMPERIA & MONFERRINA s.p.a.**,
Rome (IT)

(72) Inventors: **Enrico Ancona**, Rome (IT); **Gabriele Porcari**, Rome (IT)

(73) Assignee: **IMPERIA & MONFERRINA S.P.A.**,
Rome (IT)

(**) Term: **15 Years**

(21) Appl. No.: **29/581,605**

(22) Filed: **Oct. 20, 2016**

(30) **Foreign Application Priority Data**

Jul. 26, 2016 (EM) 003 319 912-0001

(51) **LOC (11) Cl.** **07-04**

(52) **U.S. Cl.**
USPC **D7/368**

(58) **Field of Classification Search**
USPC D3/203.2, 203.3, 272, 319; D7/550.1,
D7/601, 602, 605, 637, 668, 701,
D7/703-705, 707, 708.1, 368, 372, 379,
D7/384, 386, 412, 665, 666; D9/434,
D9/436, 455-457, 499; D15/69
CPC A21C 1/06; A21C 11/16; A21C 11/22
See application file for complete search history.

(56) **References Cited**

U.S. PATENT DOCUMENTS

D3,461 S *	4/1869	Shaw	D7/372
D155,359 S *	9/1949	Pearlman	D7/372
D306,601 S *	3/1990	Uchida	D15/69
5,770,239 A *	6/1998	Ancona	A21C 11/22 366/309
D526,539 S *	8/2006	Yip	D7/665
D526,540 S *	8/2006	Cohen	D7/665
D551,493 S *	9/2007	Marcato	D7/368

D688,514 S *	8/2013	Lin	D7/368
D730,411 S *	5/2015	Kudo	D15/69
D744,274 S *	12/2015	Rubio	D7/368
2003/0150337 A1 *	8/2003	Ancona	A21C 11/22 99/353
2017/0112146 A1 *	4/2017	Porcari	A21C 1/065
2017/0112147 A1 *	4/2017	Porcari	A21C 1/065

OTHER PUBLICATIONS

Lineapasta. Shorts and Long Cut Pasta Machine Dolly—La Monferrina. Aug. 11, 2017 [earliest online date], [site visited Jan. 18, 2018]. Available from Internet, <URL:https://www.lineapasta.com/en/fresh-pasta-machines/benchtop-pasta-machines/shorts-and-long-cut-pasta-machine-dolly-la-monferrina>. (Year: 2017).*

YouTube. SousChef Pasta Extruder and MonoSfoggia Single Sheet Ravioli System. Apr. 6, 2017 [earliest online date], [site visited Jan. 18, 2018]. Available from Internet, <URL:https://www.youtube.com/watch?v=_44ZYxpunWY>. (Year: 2017).*

* cited by examiner

Primary Examiner — George D. Kirschbaum

Assistant Examiner — Darcey E Hefflin

(74) *Attorney, Agent, or Firm* — Lucas & Mercanti, LLP; Klaus P. Stoffel

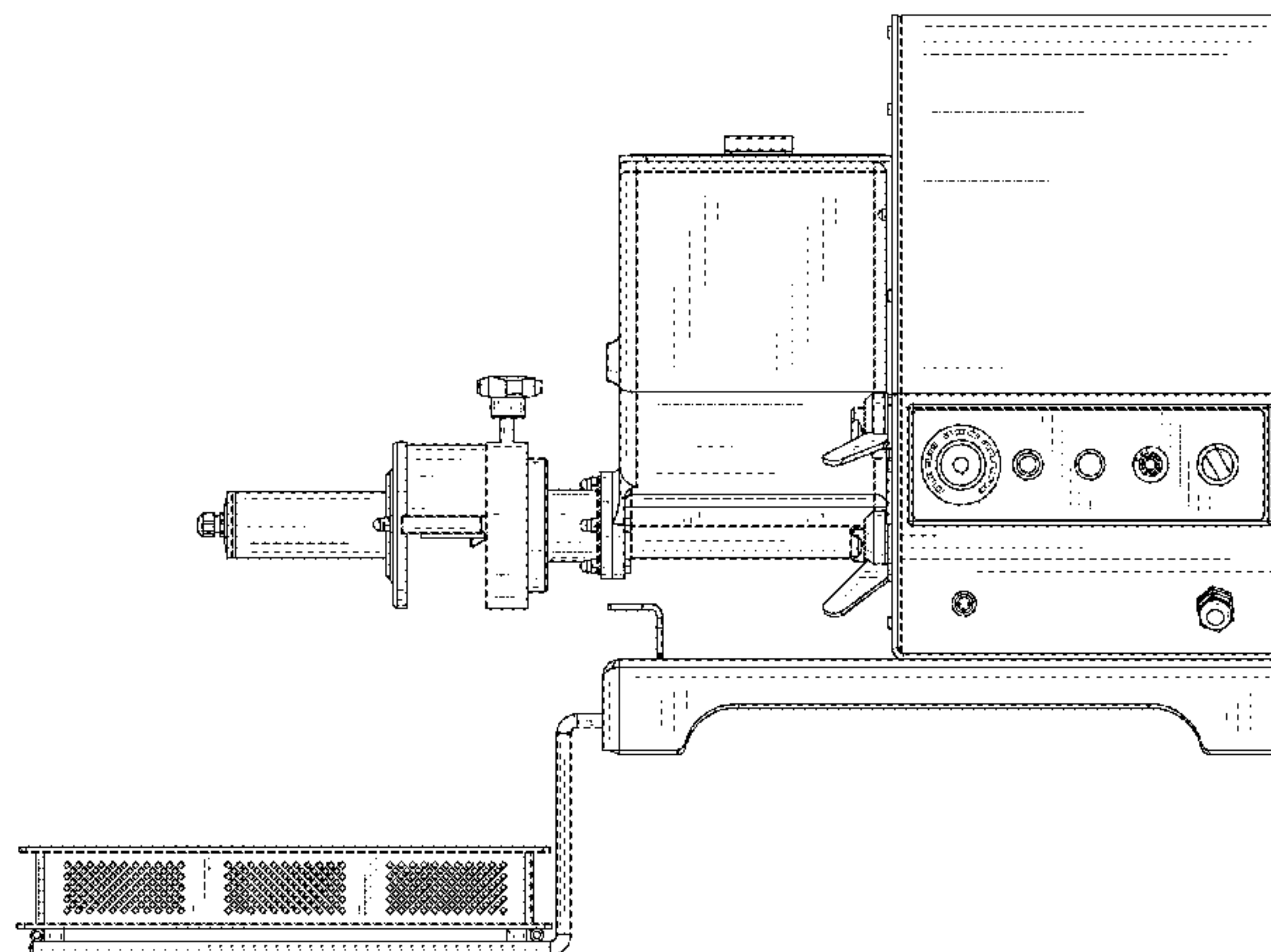
(57) **CLAIM**

The ornamental design for a pasta maker, as shown and described.

DESCRIPTION

FIG. 1 is a front view of a pasta maker of the present invention;
 FIG. 2 is a rear view thereof;
 FIG. 3 is a top view thereof;
 FIG. 4 is a bottom view thereof;
 FIG. 5 is a left side view thereof; and,
 FIG. 6 is a right side view thereof.
 In the drawings, the broken lines showing portions of a pasta maker depict environment and form no part of the claim.

1 Claim, 6 Drawing Sheets



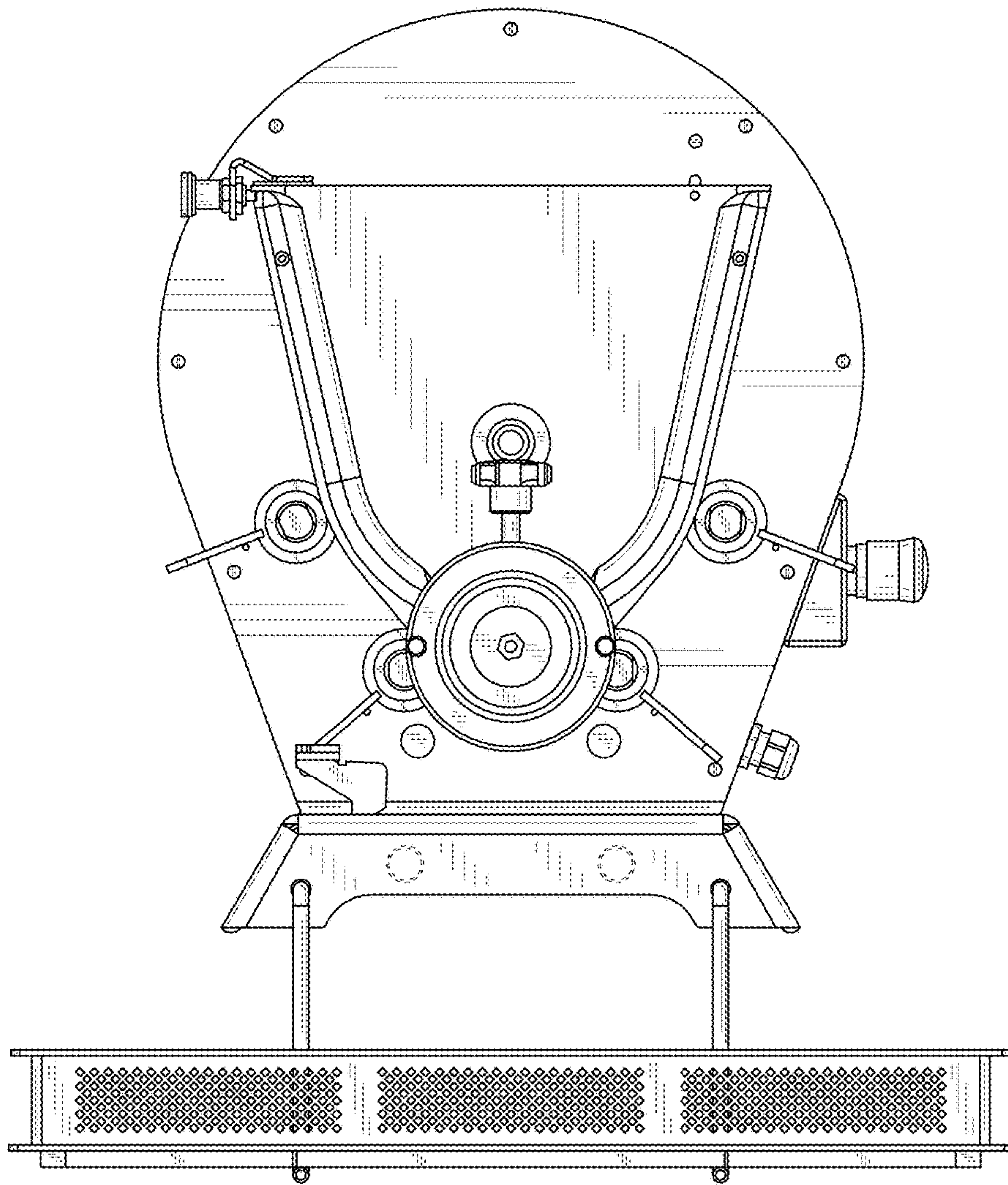


FIG. 1

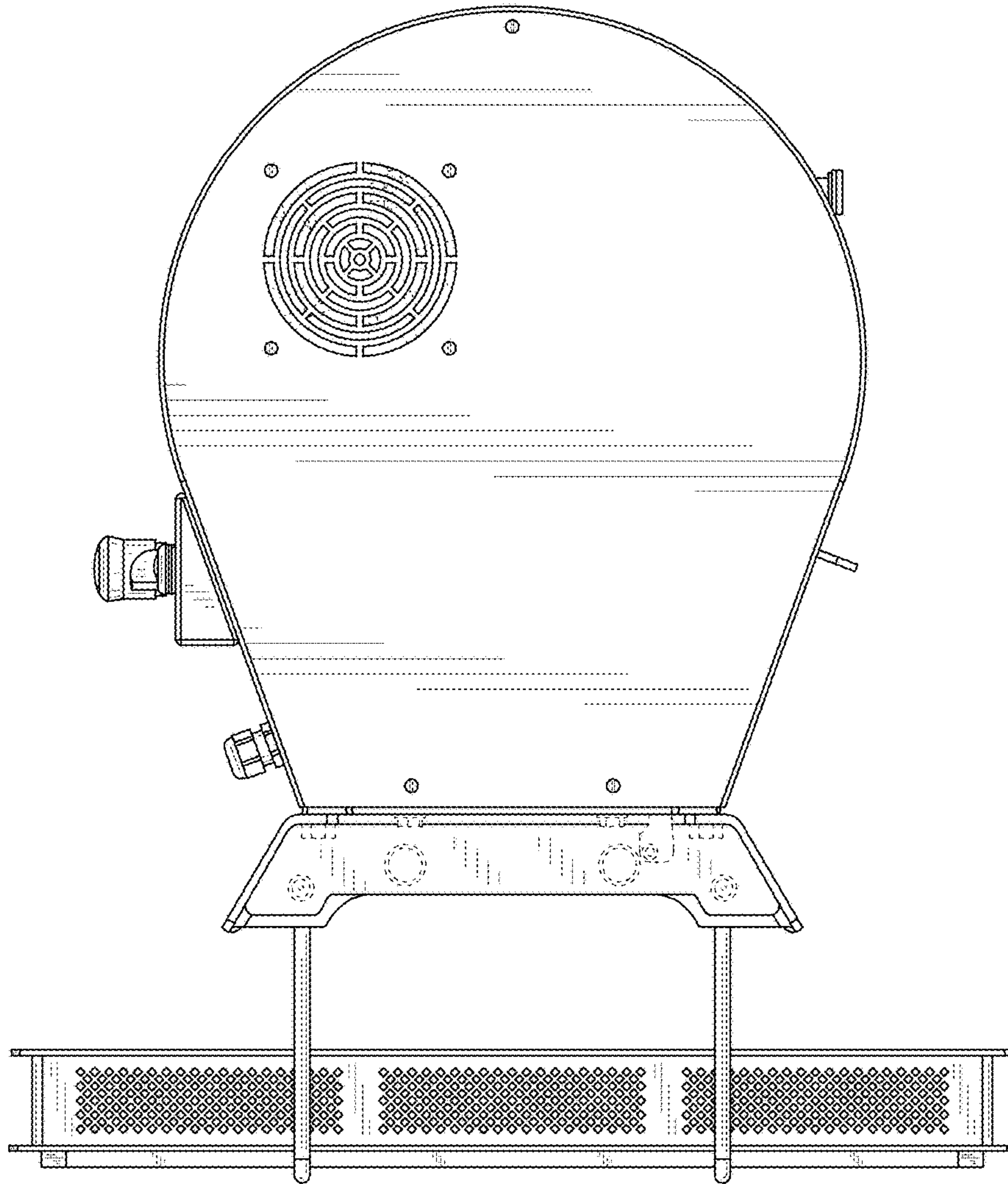


FIG. 2

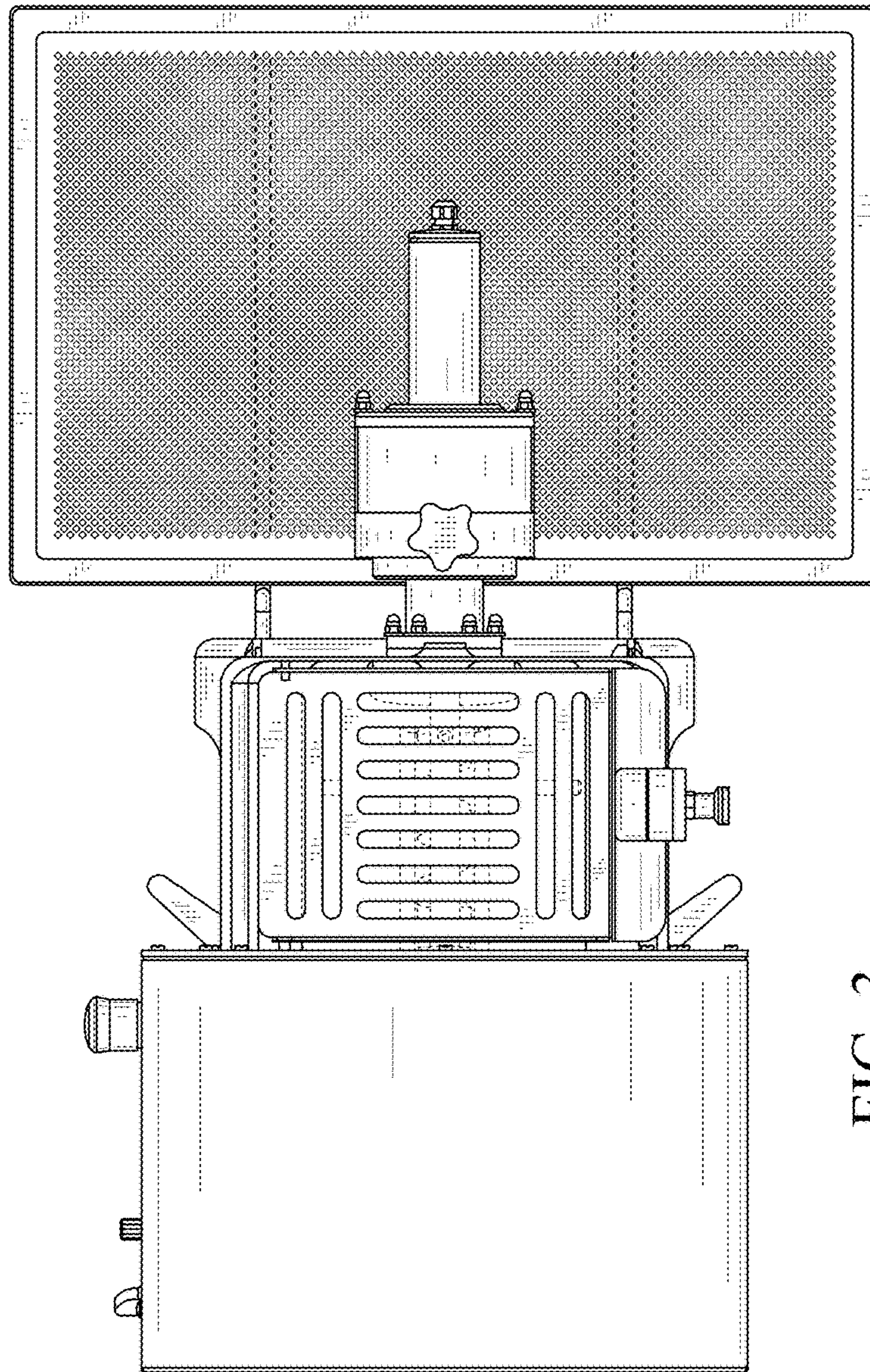


FIG. 3

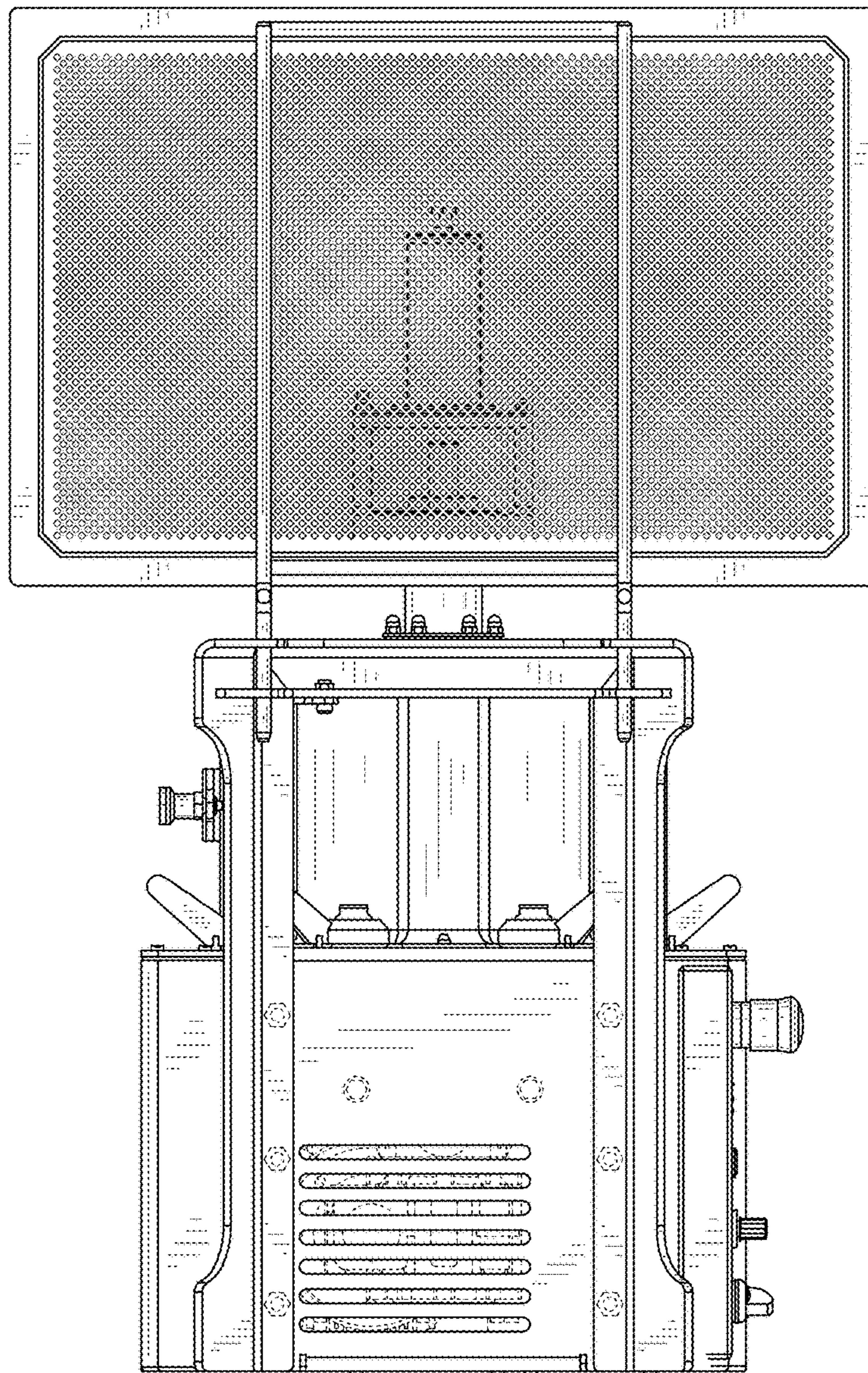


FIG. 4

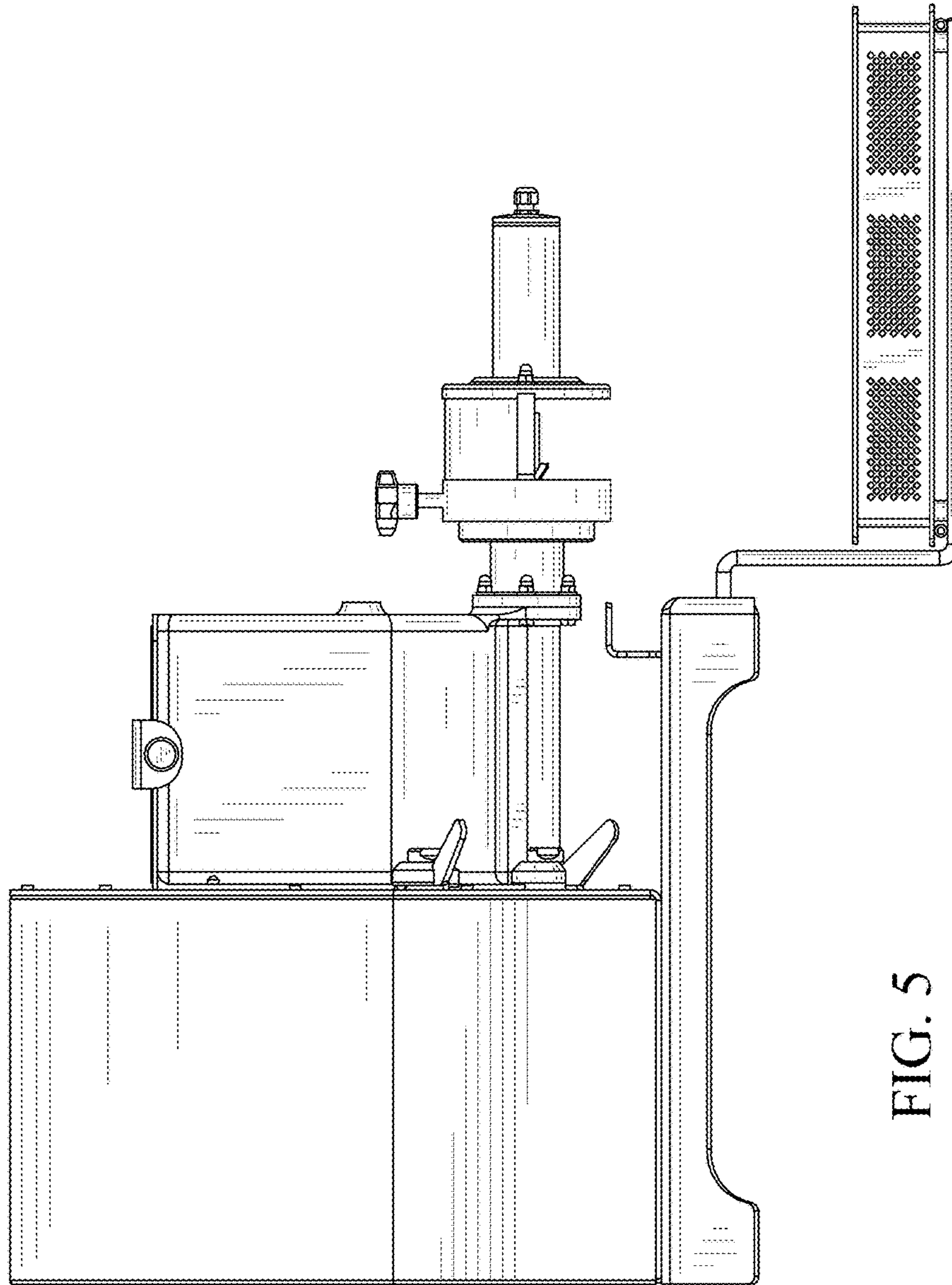


FIG. 5

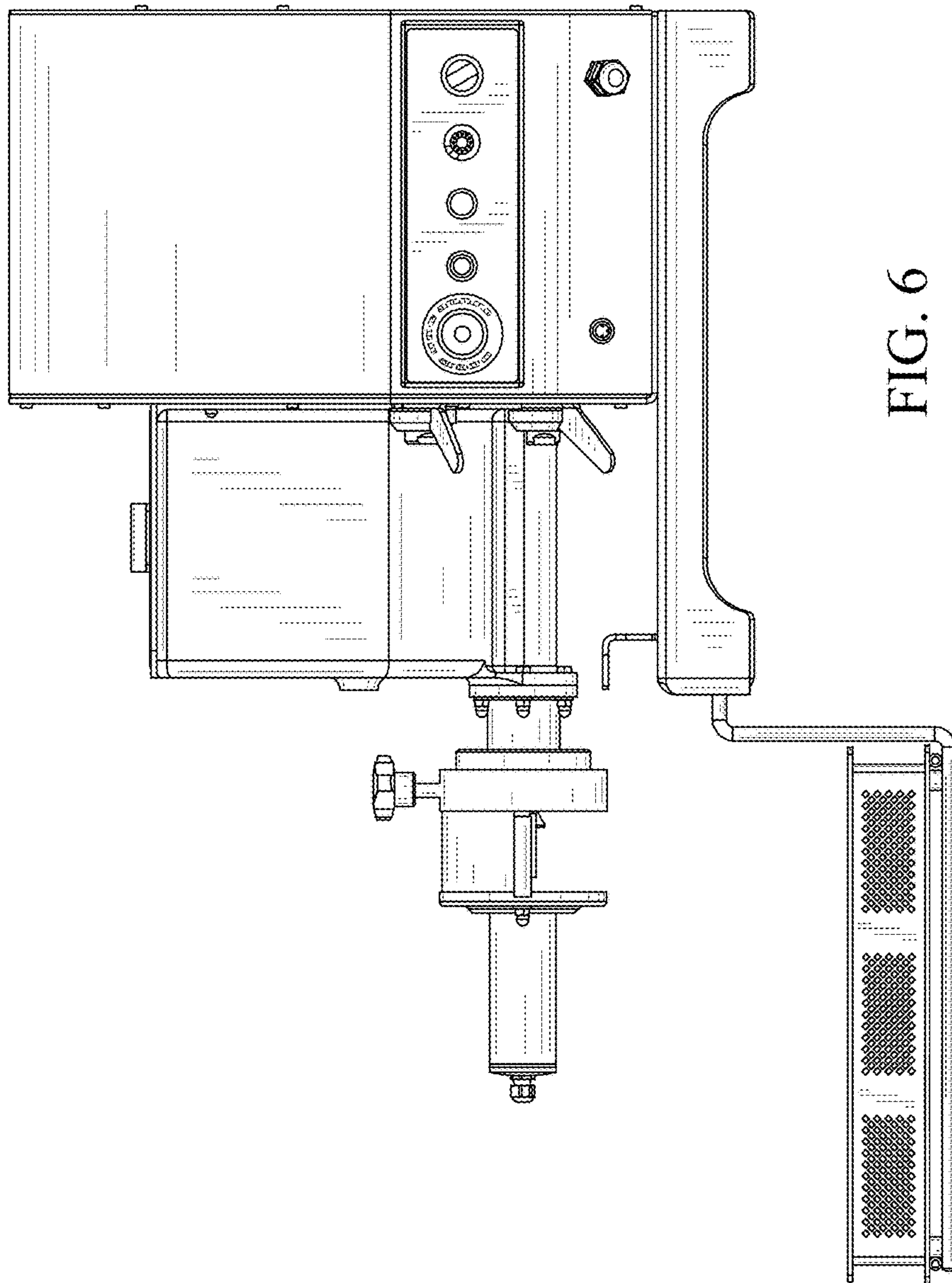


FIG. 6