



US00D841389S

(12) **United States Design Patent**  
**Bourgeois**

(10) **Patent No.:** **US D841,389 S**

(45) **Date of Patent:** **\*\* Feb. 26, 2019**

(54) **FRYING AND WOK STYLE COOKING APPARATUS**

(71) Applicant: **METAL FUSION, INC.**, Jefferson, LA (US)

(72) Inventor: **Norman Bourgeois**, Jefferson, LA (US)

(73) Assignee: **METAL FUSION, INC.**, Jefferson, LA (US)

(\*\*) Term: **15 Years**

(21) Appl. No.: **29/618,034**

(22) Filed: **Sep. 18, 2017**

**Related U.S. Application Data**

(63) Continuation of application No. 14/873,554, filed on Oct. 2, 2015, now abandoned.

(51) **LOC (11) Cl.** ..... **07-02**

(52) **U.S. Cl.**  
USPC ..... **D7/360; D7/354**

(58) **Field of Classification Search**  
USPC ..... **D7/323, 354-363, 387, 391, 393-396, D7/409**

CPC . **A47G 19/12; A47J 27/00; A47J 27/02; A47J 27/002; A47J 27/04; A47J 27/08; A47J 27/21; A47J 27/58; A47J 36/025; A47J 36/02; A47J 36/06; A47J 36/12; A47J 37/00; A47J 37/10; A47J 37/101; A47J 37/103; A47J 37/12; A47J 37/1204; A47J 45/061; A47J 45/071; A47J 45/08; H05B 6/12**

See application file for complete search history.

(56) **References Cited**

**U.S. PATENT DOCUMENTS**

1,970,723 A \* 8/1934 Wolfe ..... A47J 36/02  
110/101 A  
D258,189 S \* 2/1981 Miller ..... A47J 27/04  
D7/360

D276,689 S \* 12/1984 Spoeth, Jr. .... A47J 37/10  
D7/355  
4,666,727 A \* 5/1987 Wang ..... A47J 37/10  
126/390.1  
5,511,466 A \* 4/1996 Dzibinski ..... A47J 37/10  
126/385.1  
6,196,120 B1 \* 3/2001 Reames ..... A47J 27/04  
126/369  
D455,315 S \* 4/2002 Cheng ..... D7/354  
6,446,544 B1 \* 9/2002 Creighton ..... A47J 37/10  
99/339  
D525,479 S \* 7/2006 Olsen ..... D7/360  
7,165,489 B1 \* 1/2007 Fernandez ..... A47J 27/02  
126/373.1  
D572,077 S \* 7/2008 Duke ..... A47J 36/02  
D7/387  
D635,392 S \* 4/2011 Shantha ..... D7/354  
D794,379 S \* 8/2017 Mejia ..... D7/354

\* cited by examiner

*Primary Examiner* — Ricky Pham

(74) *Attorney, Agent, or Firm* — Brett A. North

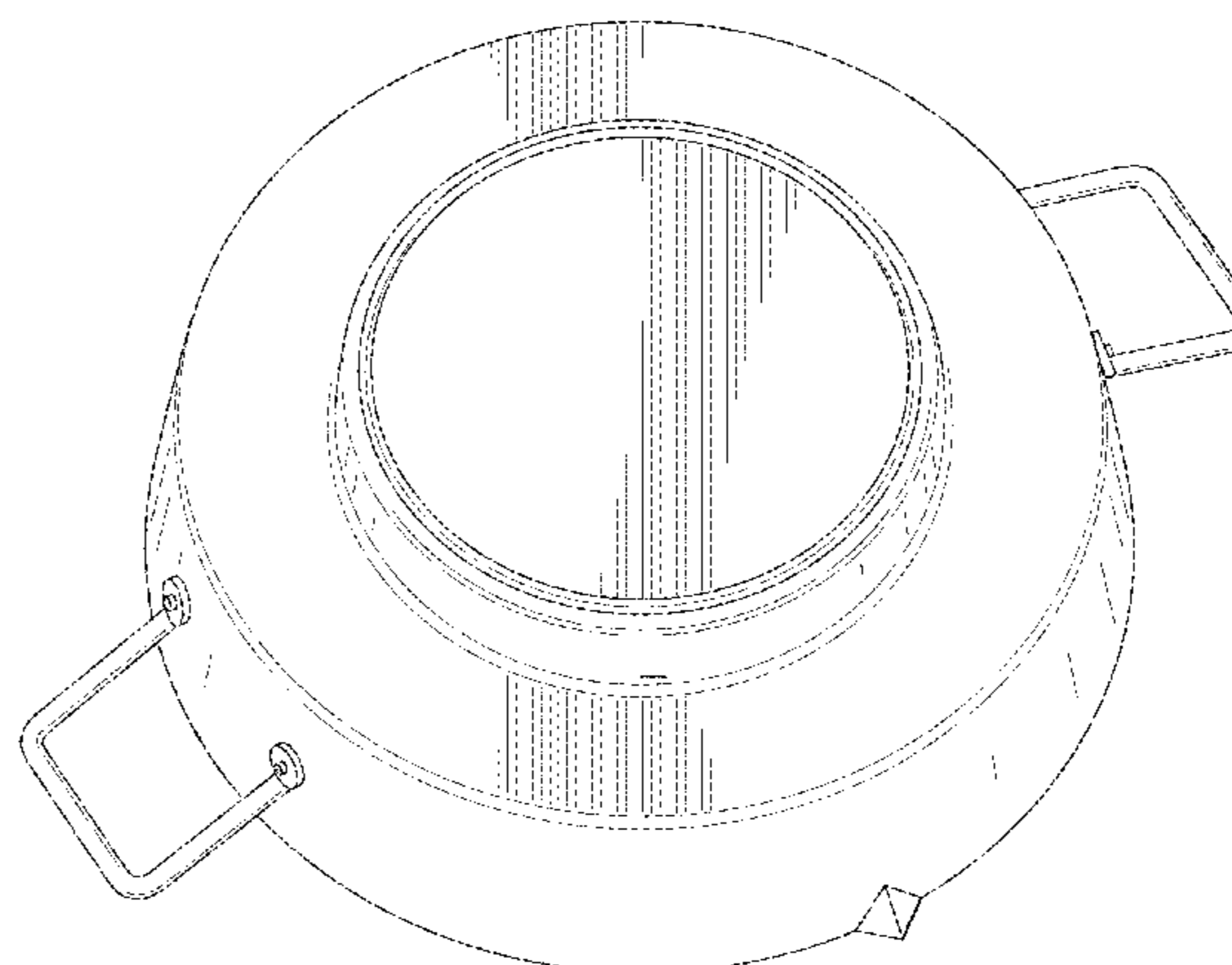
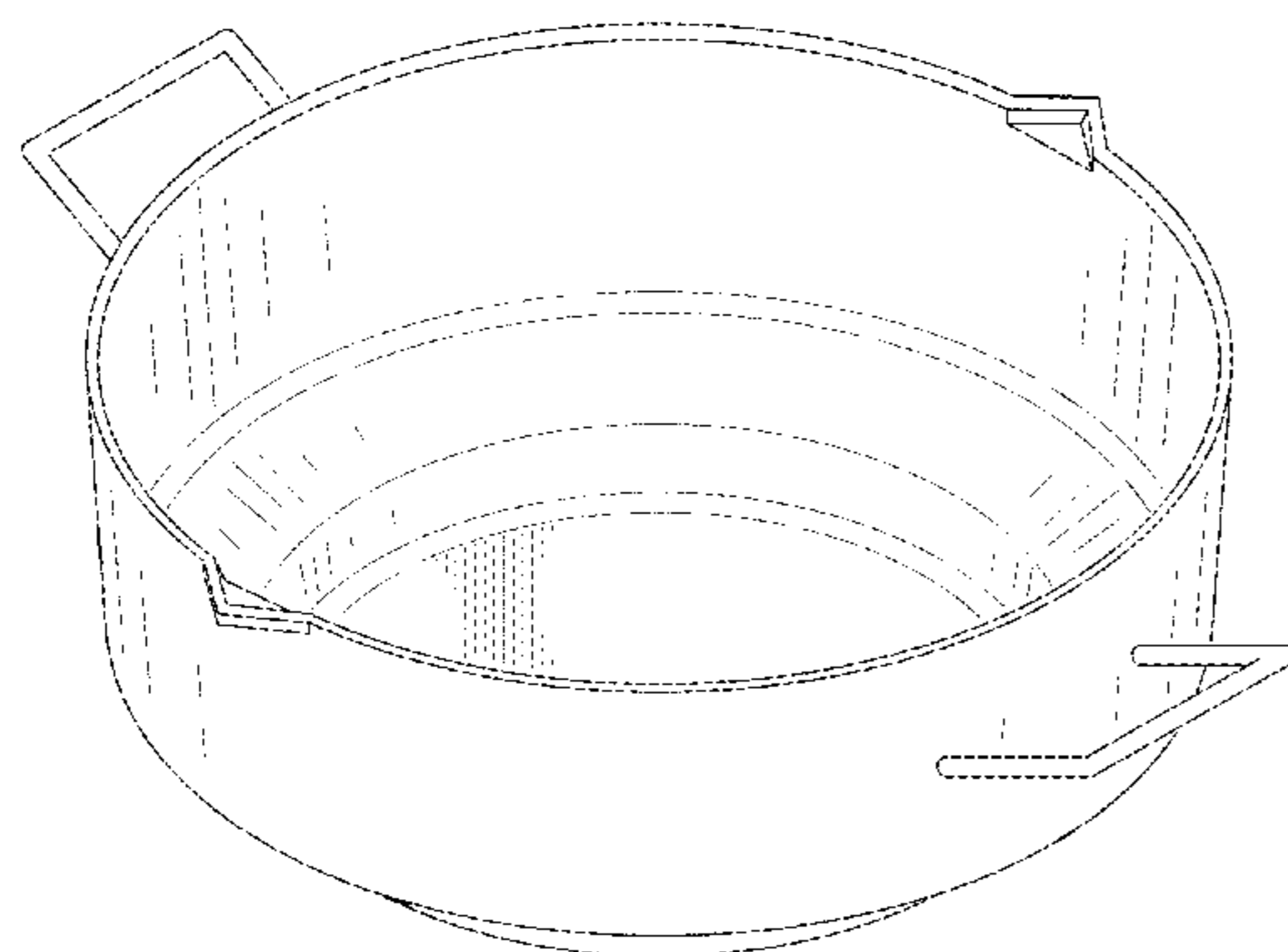
(57) **CLAIM**

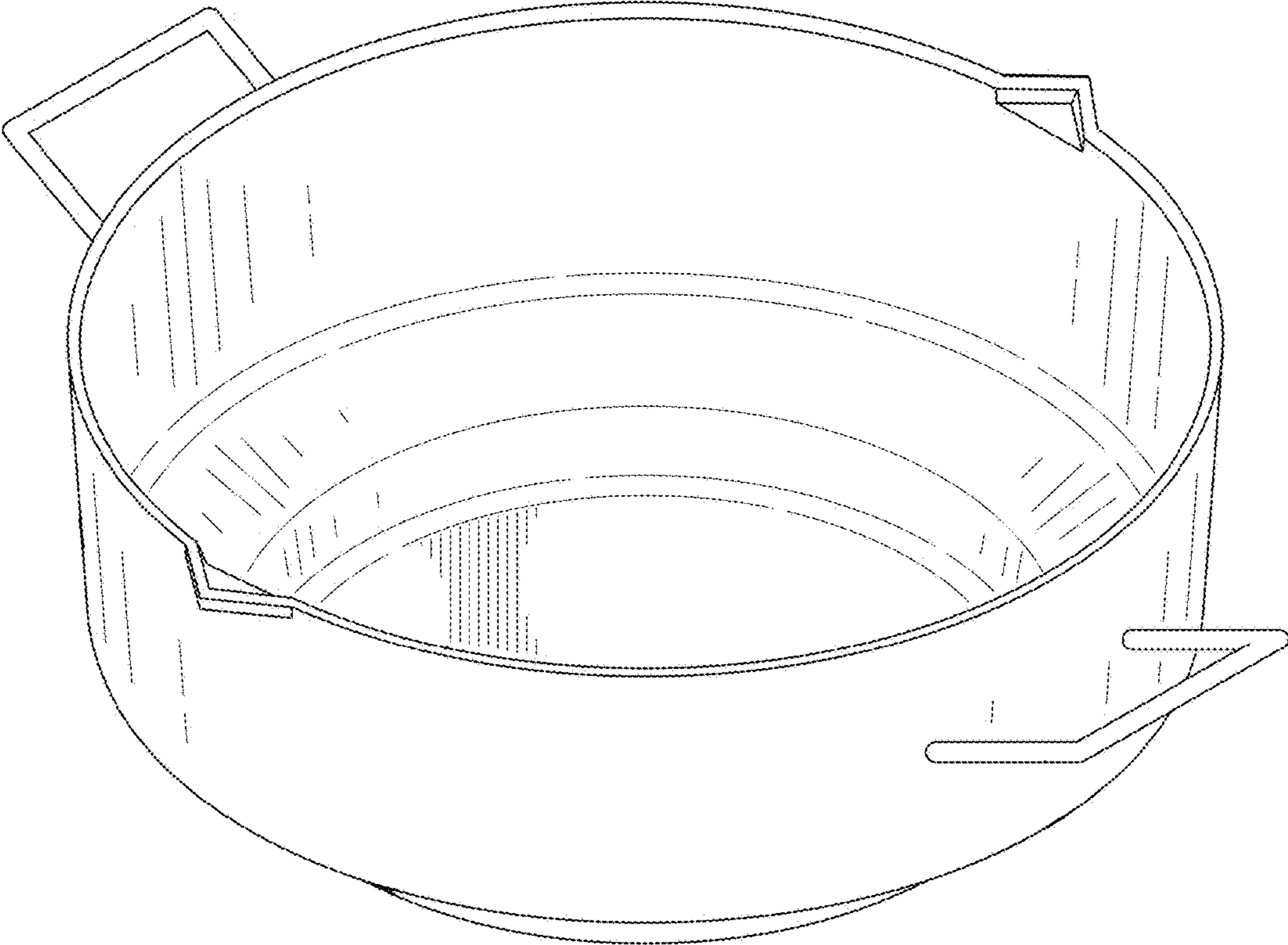
The ornamental design for a frying and wok style cooking apparatus, as shown and described.

**DESCRIPTION**

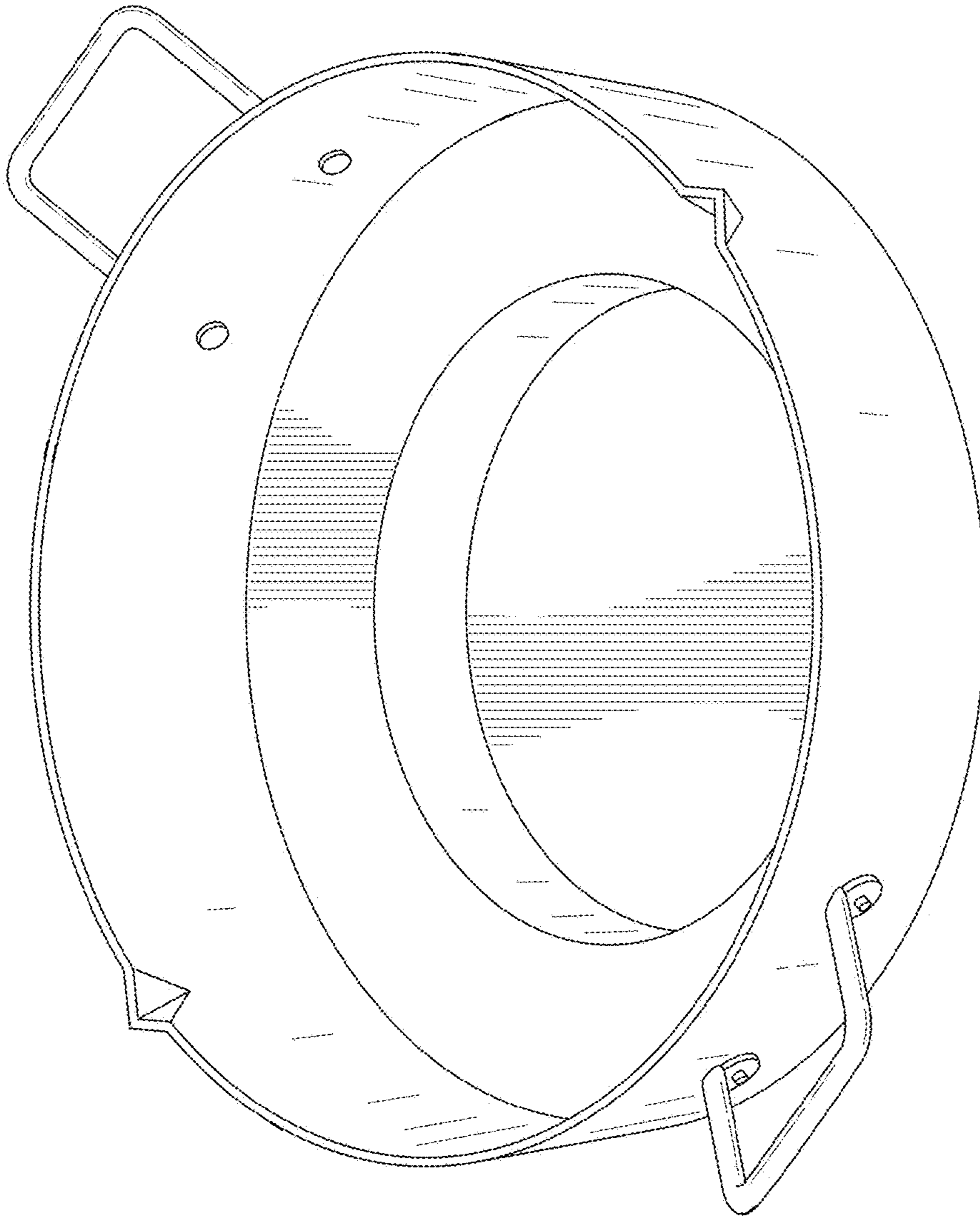
FIG. 1 is an upper perspective view;  
FIG. 2 is an upper perspective view rotated about 90 degrees from the view of FIG. 1;  
FIG. 3 is a top perspective view;  
FIG. 4 is a bottom perspective view;  
FIG. 5 is a top view; and,  
FIG. 6 is a bottom view.

**1 Claim, 6 Drawing Sheets**

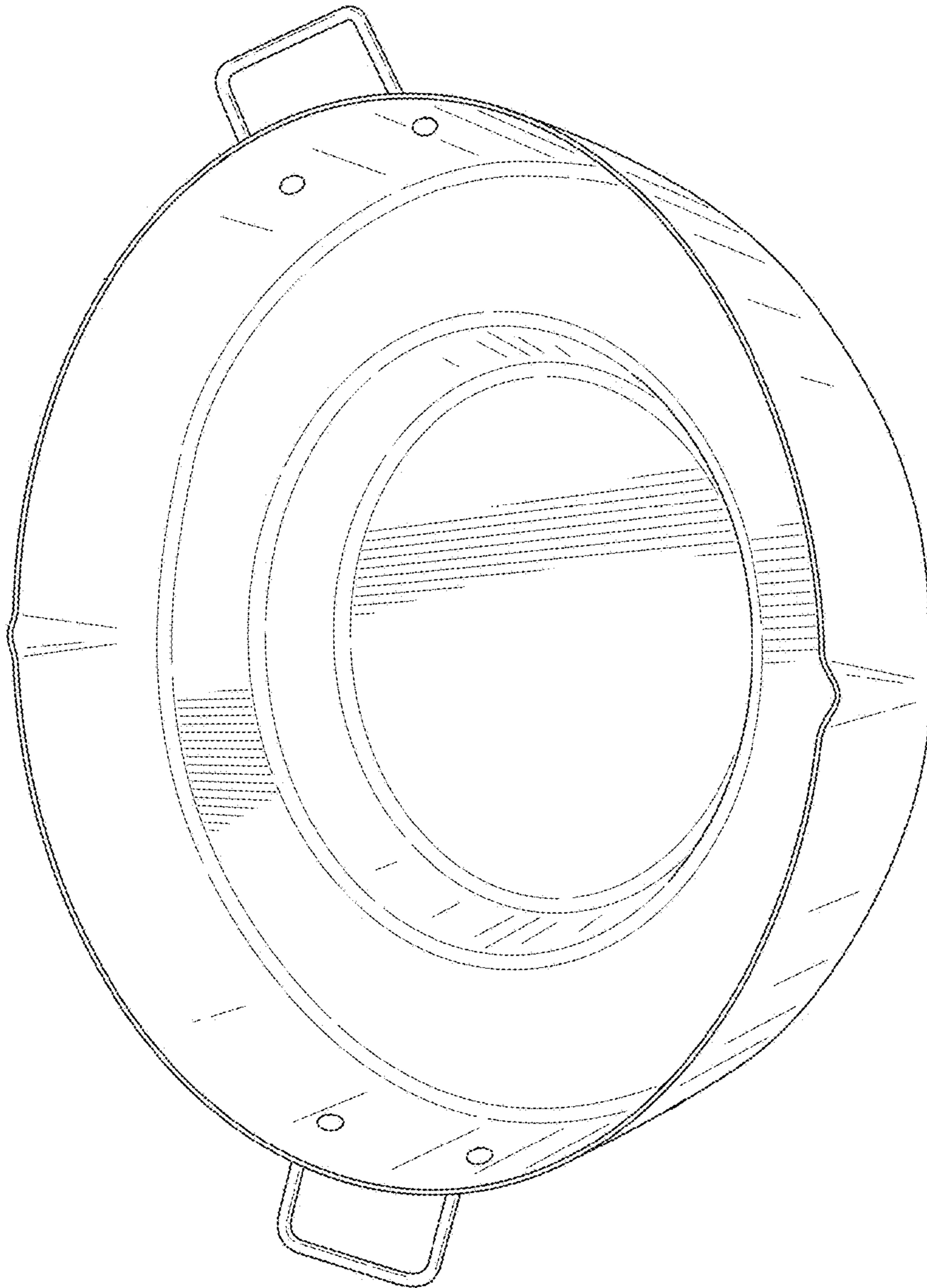




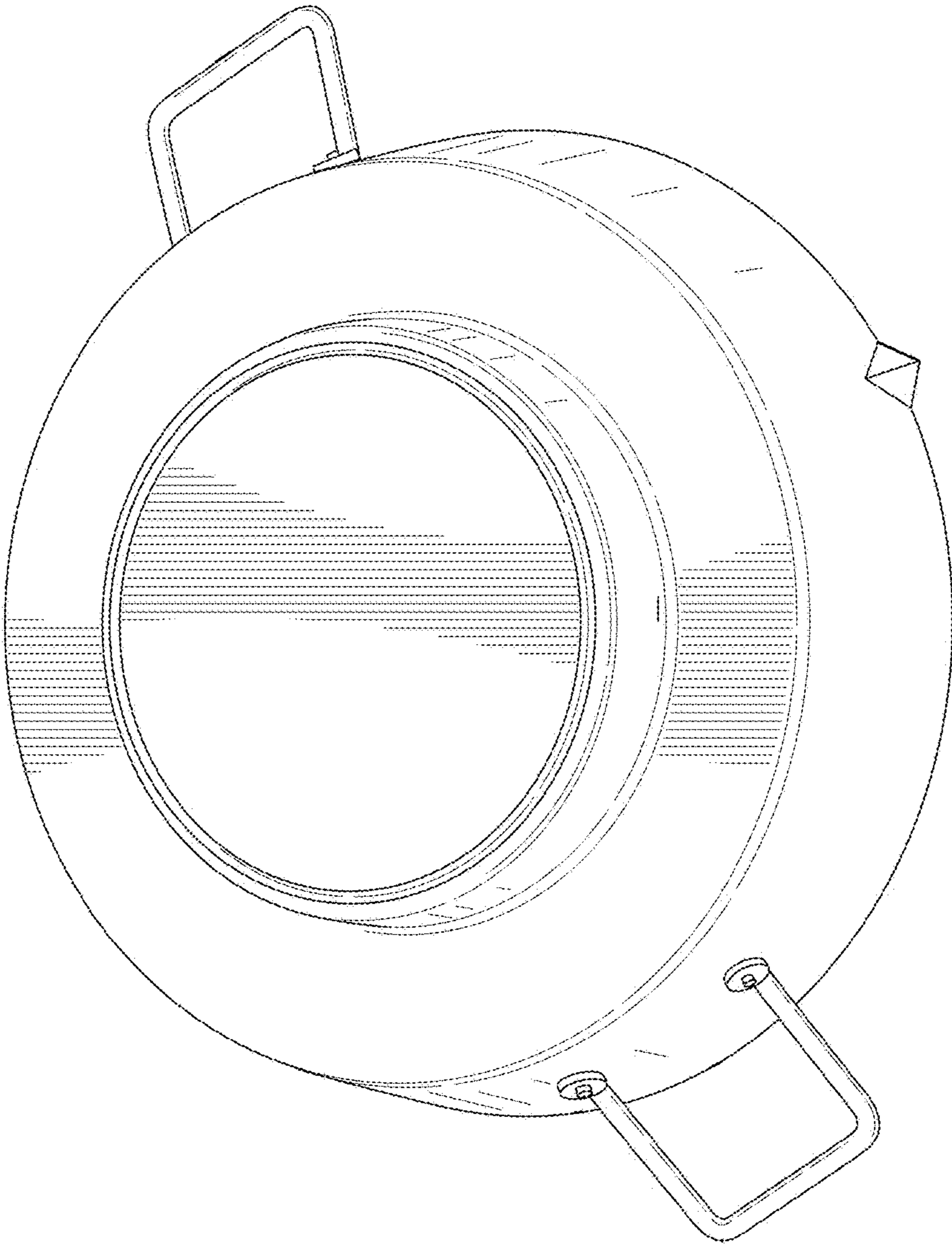
**FIG. 1**



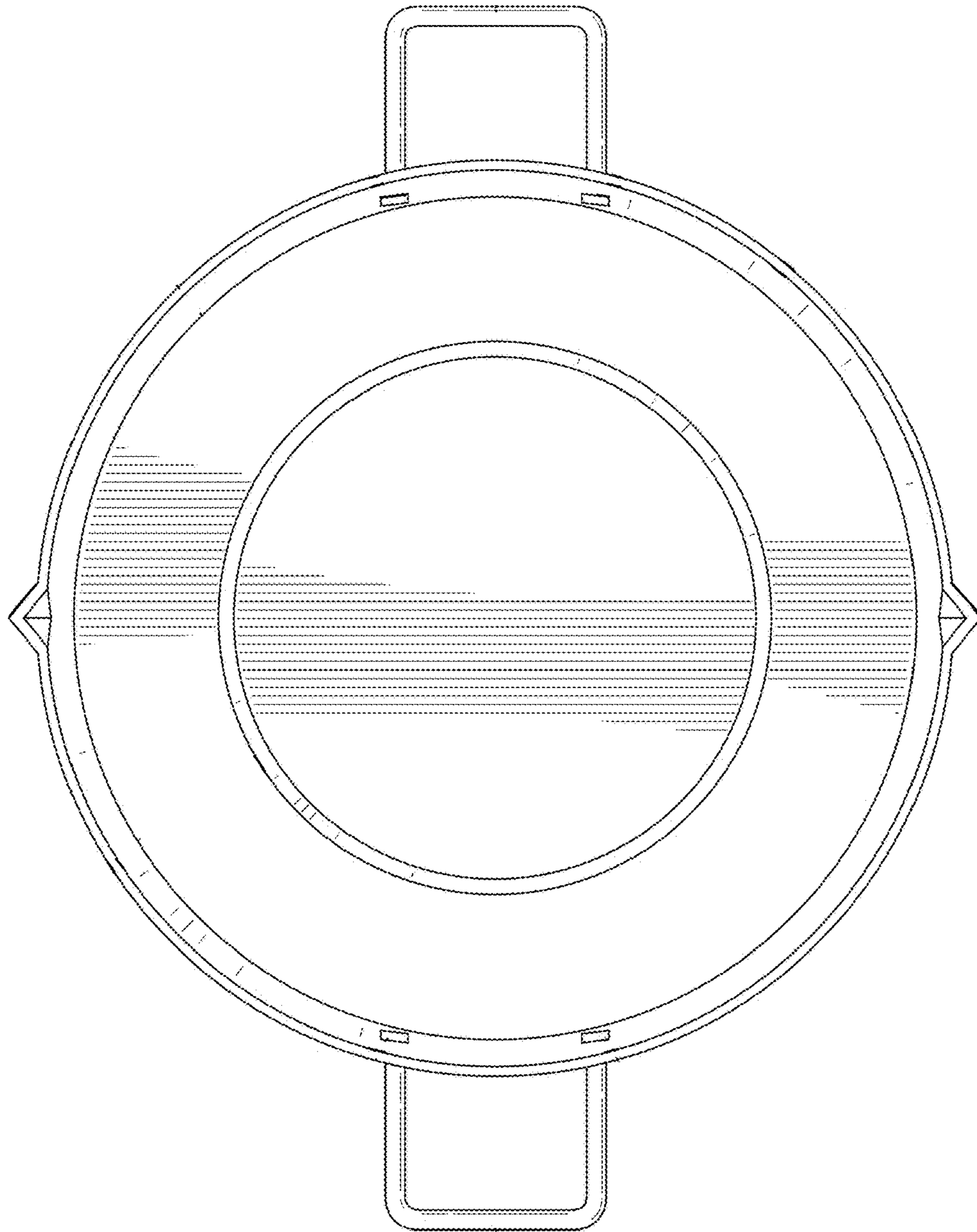
**FIG. 2**



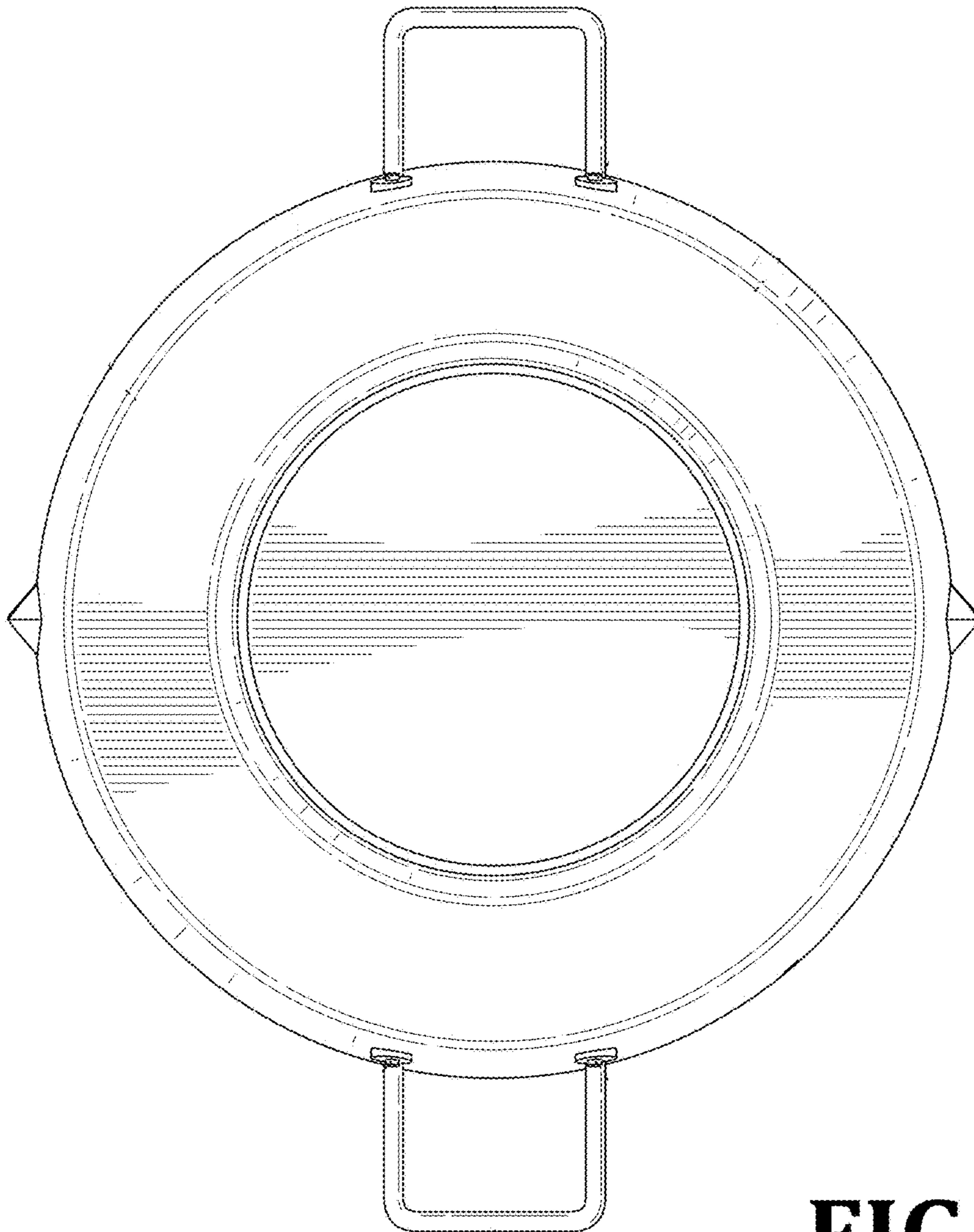
**FIG. 3**



**FIG. 4**



**FIG. 5**



**FIG. 6**