



US00D841388S

(12) **United States Design Patent**
Zhang

(10) **Patent No.:** **US D841,388 S**

(45) **Date of Patent:** **** Feb. 26, 2019**

(54) **AIR FRYER**

37/1295; G07F 17/0064; G07F 17/0078;
G07F 17/0085; H05B 6/02; H05B 6/06;
H05B 6/12

(71) Applicant: **NINGBO CARELINE ELECTRIC
APPLIANCE CO., LTD.**, NingBo
(CN)

See application file for complete search history.

(72) Inventor: **Yi Chi Zhang**, NingBo (CN)

(56) **References Cited**

(73) Assignee: **NINGBO CARELINE ELECTRIC
APPLIANCE CO., LTD.**, NingBo
(CN)

U.S. PATENT DOCUMENTS

(**) Term: **15 Years**

D489,935 S *	5/2004	Choi	D7/354
D692,718 S *	11/2013	Verbrugge	D7/354
D719,397 S *	12/2014	Krooshof	D7/354
D793,797 S *	8/2017	Krooshof	D7/354
D801,103 S *	10/2017	Krooshof	D7/354
D814,232 S *	4/2018	Barquin	D7/354
D816,390 S *	5/2018	Zhang	D7/354
D817,698 S *	5/2018	Liu	D7/361

(21) Appl. No.: **29/625,350**

* cited by examiner

(22) Filed: **Nov. 9, 2017**

(30) **Foreign Application Priority Data**

Primary Examiner — Ricky Pham

May 11, 2017 (CN) 2017 3 0172939

(74) *Attorney, Agent, or Firm* — JCIPRNET

(51) **LOC (11) Cl.** **07-02**

(57) **CLAIM**

(52) **U.S. Cl.**

The ornamental design for an air fryer, as shown and described.

USPC **D7/354**

DESCRIPTION

(58) **Field of Classification Search**

USPC D7/323, 354–361

FIG. 1 is a perspective view of an air fryer showing my new design;

CPC A23L 1/01; A23L 1/0107; A23L 1/0114;

FIG. 2 is a front view thereof;

A47J 27/00; A47J 27/08; A47J 27/09;

FIG. 3 is a rear view thereof;

A47J 27/092; A47J 36/025; A47J 36/06;

FIG. 4 is a left side view thereof;

A47J 36/08; A47J 36/10; A47J 36/12;

FIG. 5 is a right side view thereof;

A47J 36/165; A47J 36/18; A47J 36/20;

FIG. 6 is a top view thereof; and,

A47J 36/22; A47J 37/00; A47J 37/12;

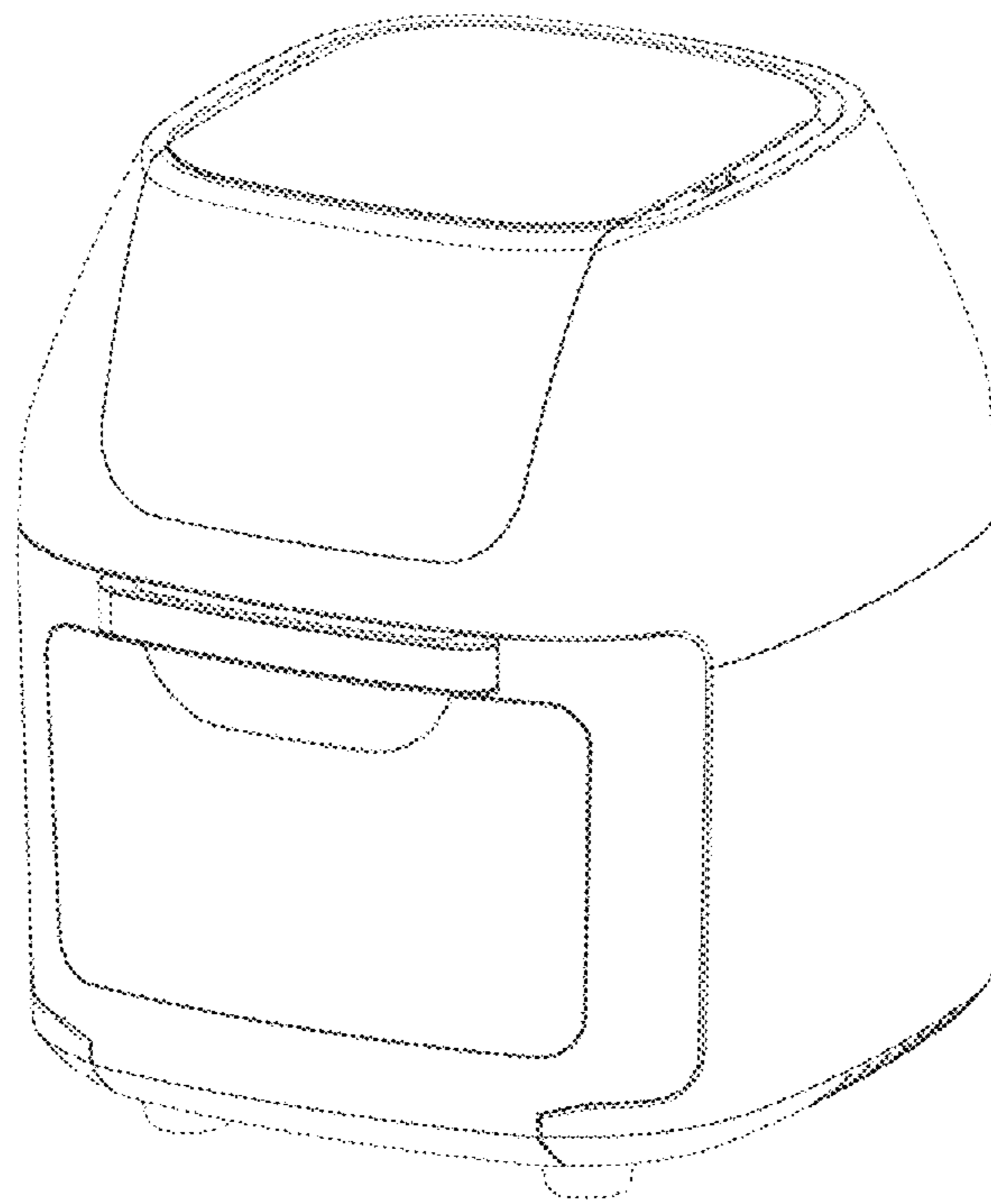
FIG. 7 is a bottom view thereof.

A47J 37/1204; A47J 37/1209; A47J

37/1214; A47J 37/1219; A47J 37/1266;

A47J 37/1285; A47J 37/129; A47J

1 Claim, 7 Drawing Sheets



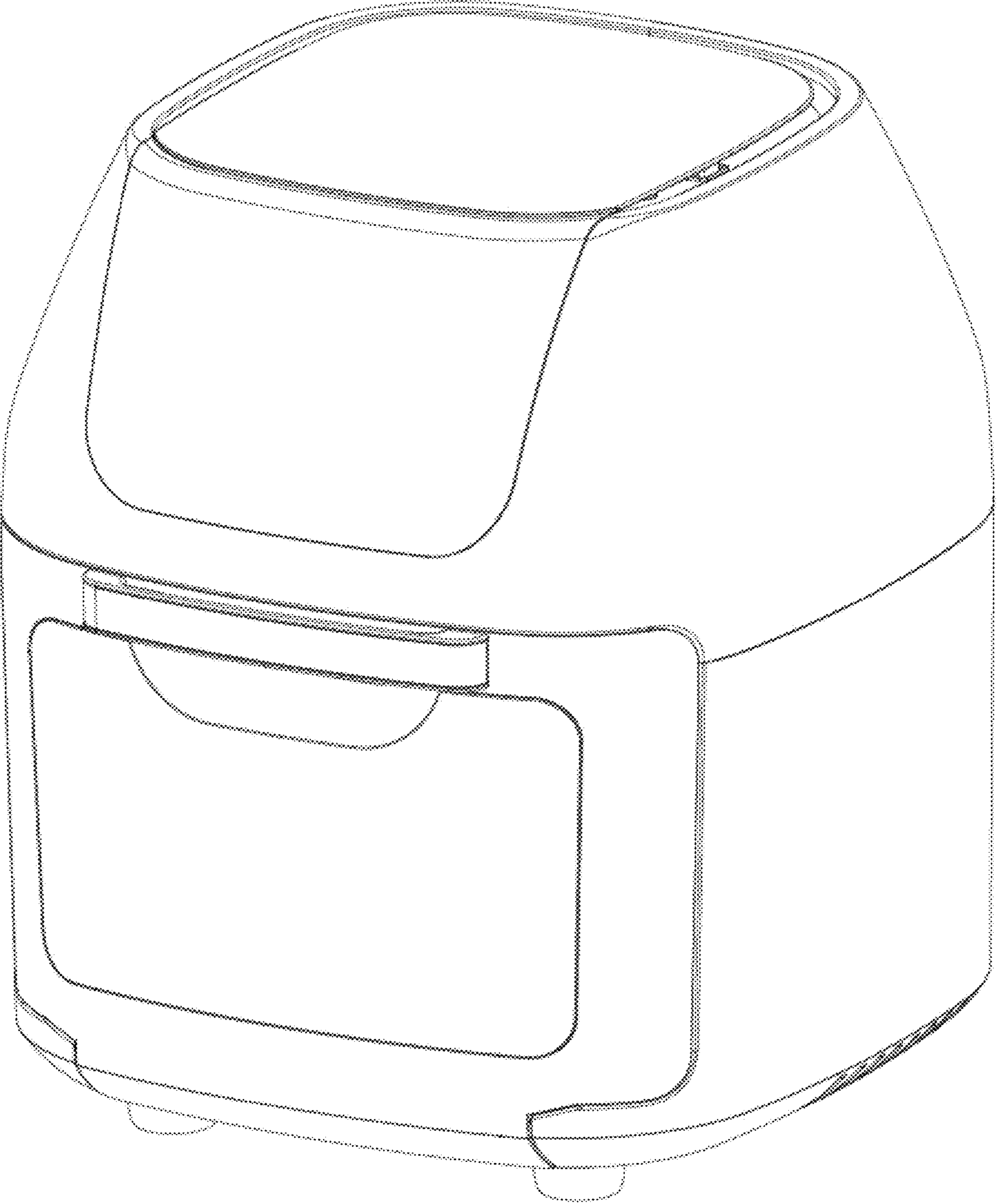


FIG. 1

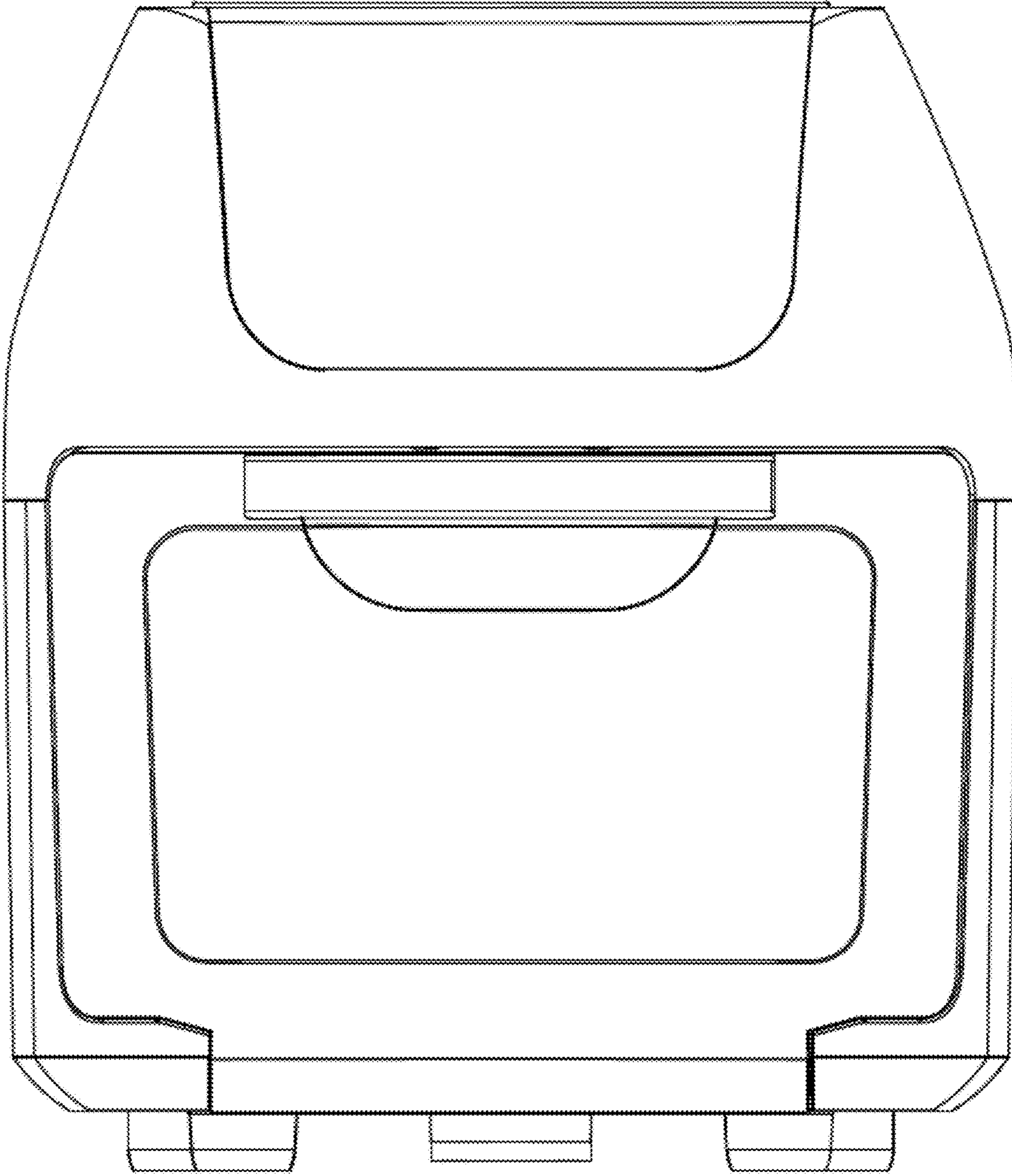


FIG. 2

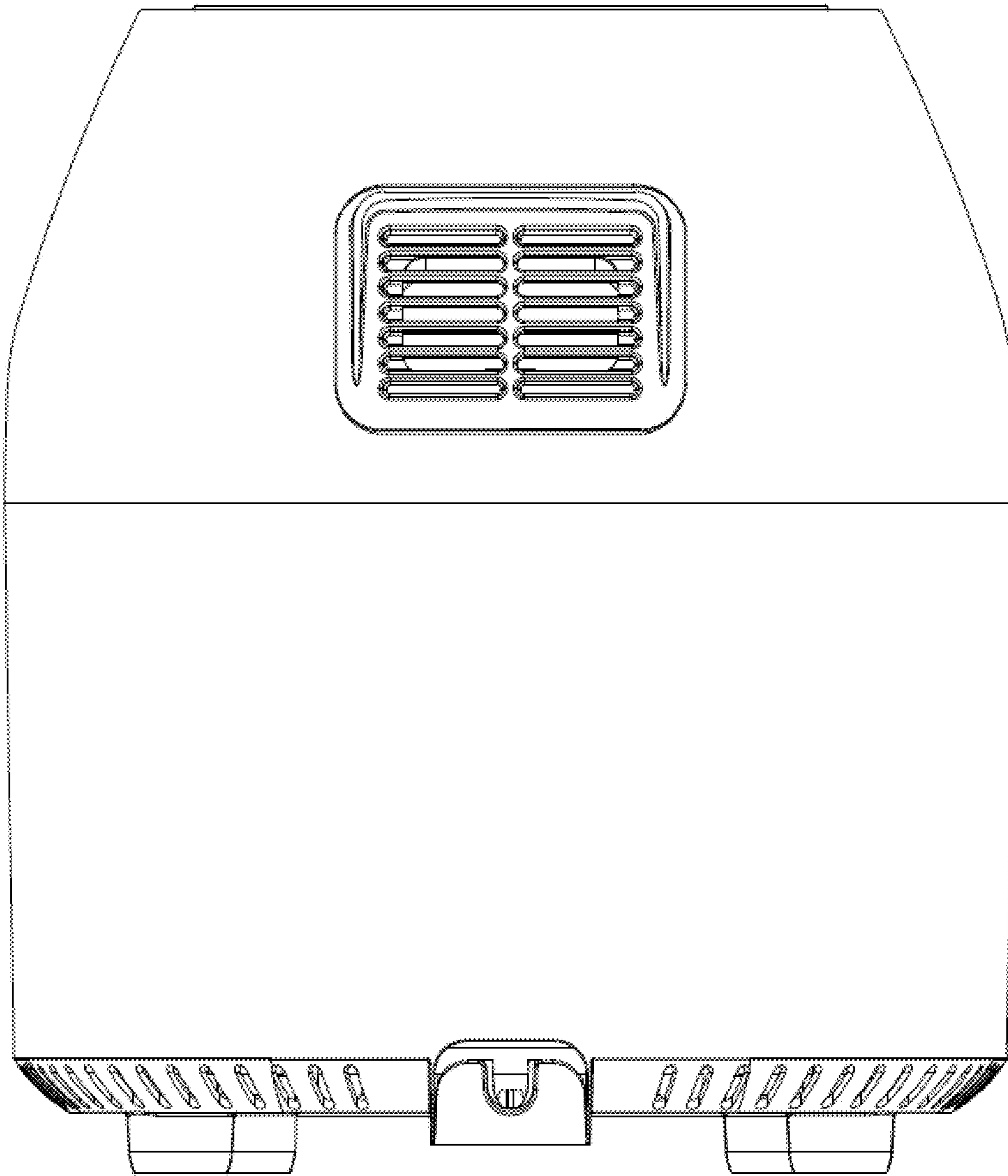


FIG. 3

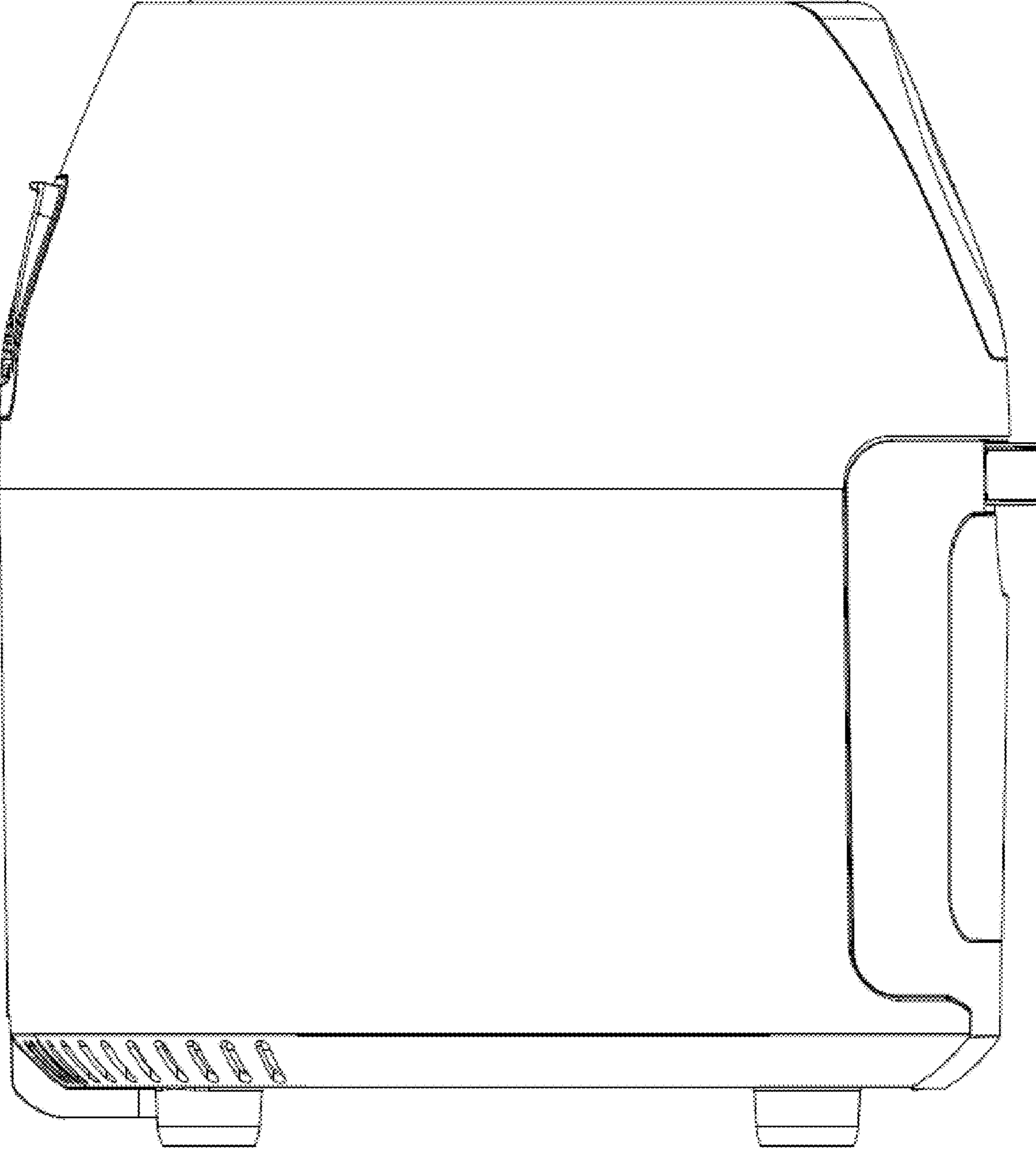


FIG. 4

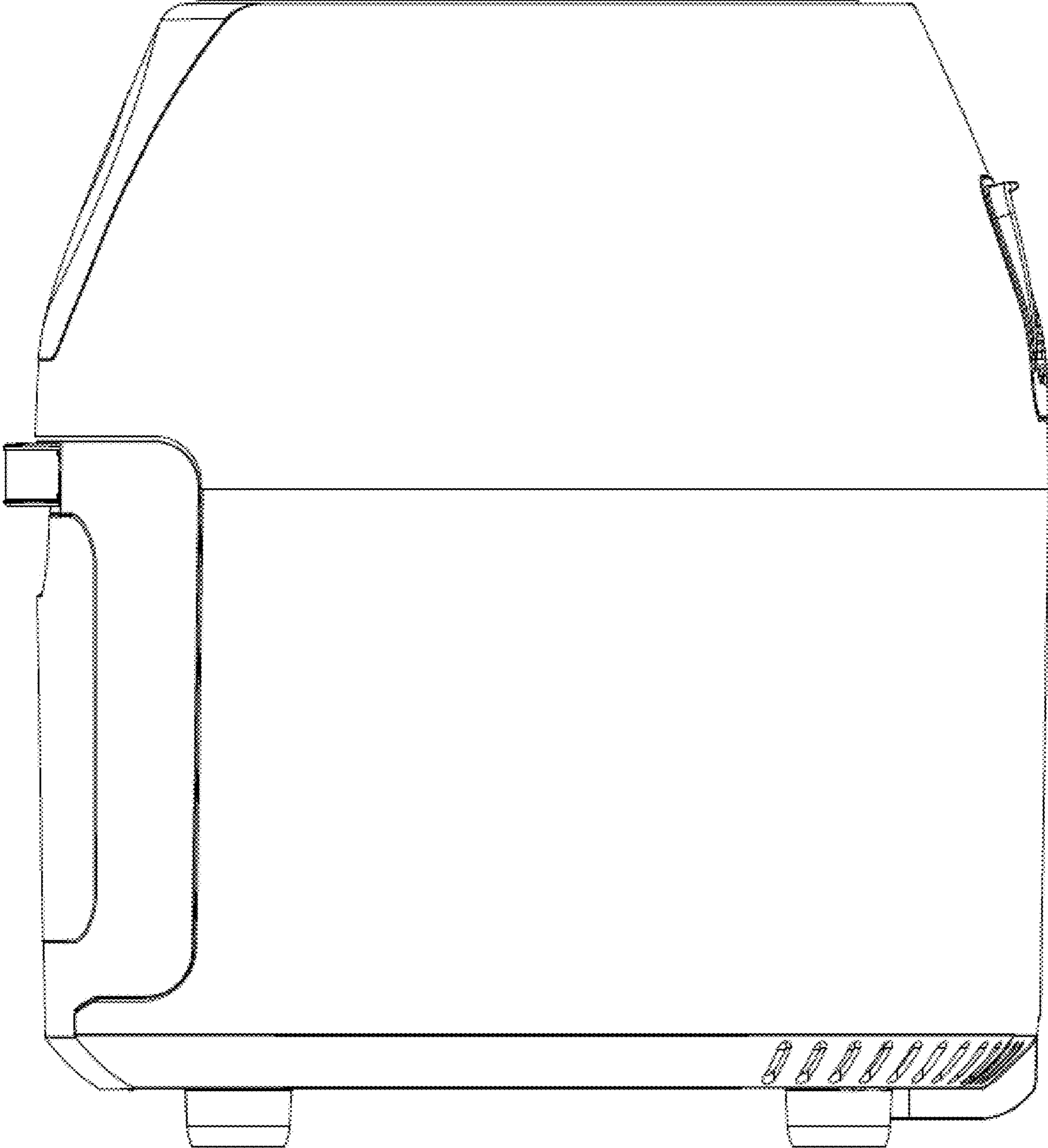


FIG. 5

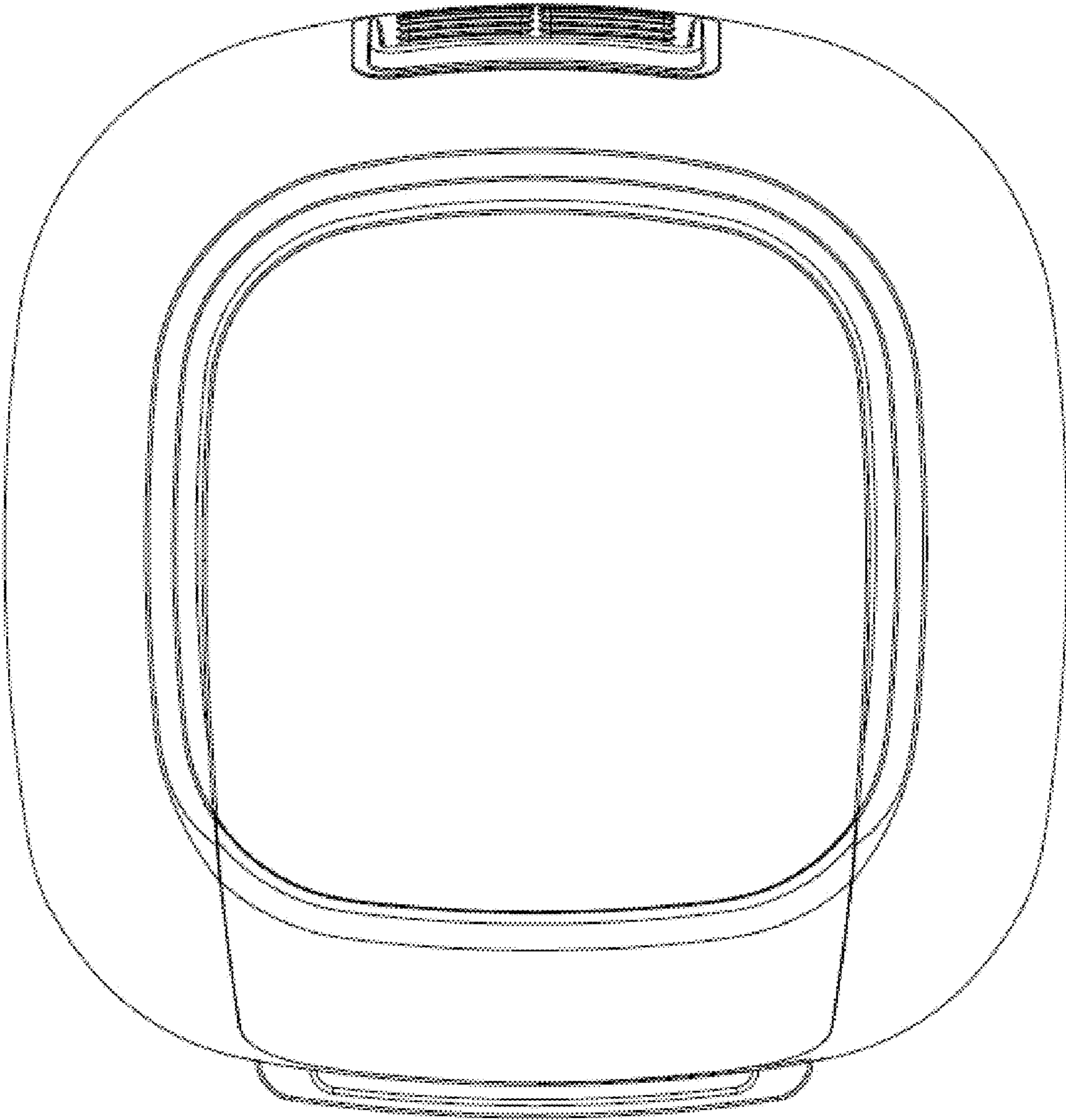


FIG. 6

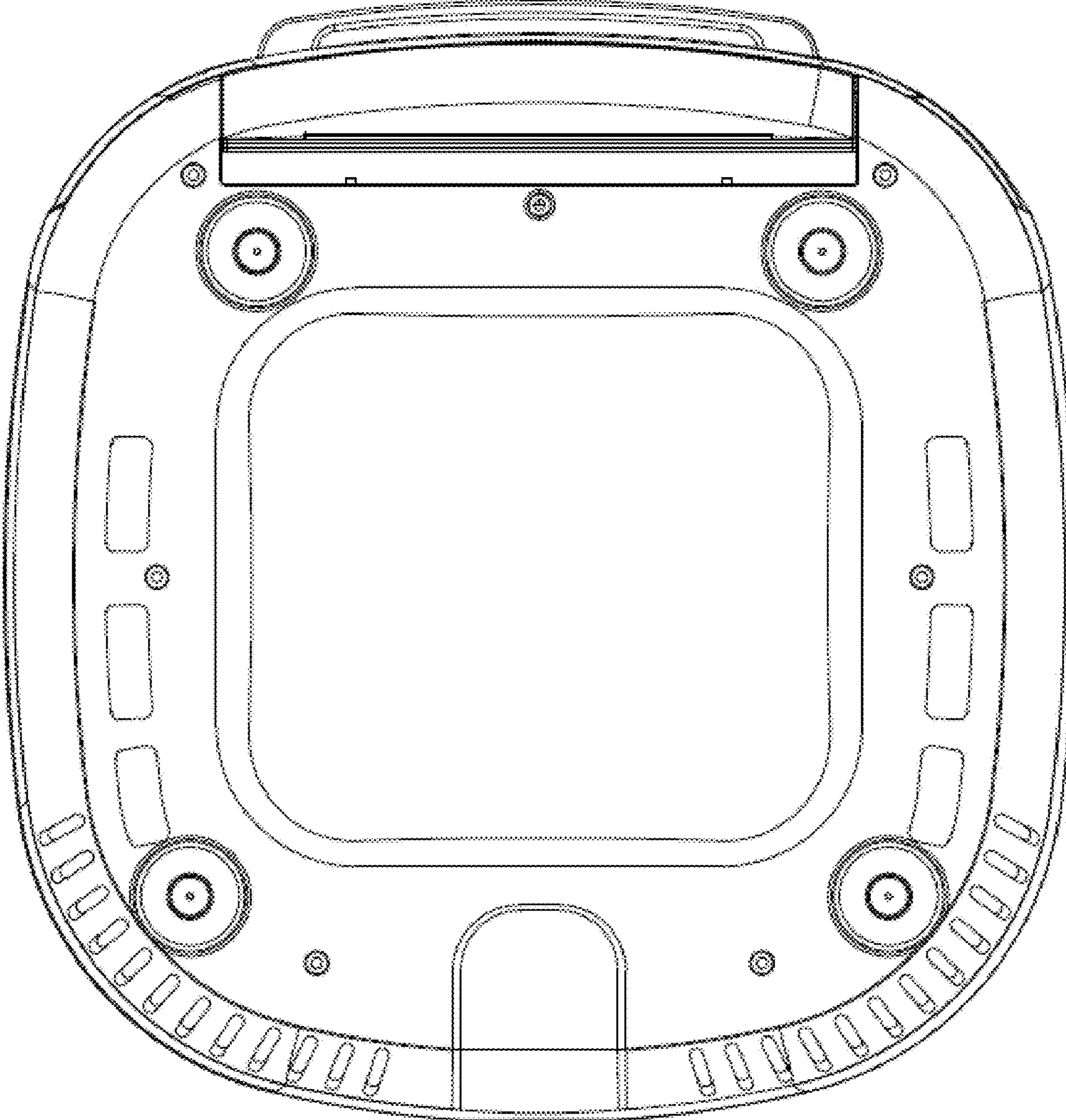


FIG. 7