



US00D841386S

(12) **United States Design Patent** (10) **Patent No.:** **US D841,386 S**
McConnell et al. (45) **Date of Patent:** **** Feb. 26, 2019**

- (54) **TOASTER**
- (71) Applicant: **WHIRLPOOL CORPORATION**,
Benton Harbor, MI (US)
- (72) Inventors: **John W. McConnell**, St. Joseph, MI
(US); **Ben C. Shao**, Clarendon Hills, IL
(US); **Wenkai Wu**, Aurora, IL (US)
- (73) Assignee: **Whirlpool Corporation**, Benton
Harbor, MI (US)
- (**) Term: **15 Years**
- (21) Appl. No.: **29/621,657**
- (22) Filed: **Oct. 10, 2017**
- (51) **LOC (11) Cl.** **07-02**
- (52) **U.S. Cl.**
USPC **D7/330**
- (58) **Field of Classification Search**
USPC D7/323, 328-330, 390
CPC ... A21B 2/00; A47J 37/00; A47J 37/06; A47J
37/0611; A47J 37/08; A47J 37/0807;
A47J 37/0814; A47J 37/0835; A47J
37/0842; A47J 37/085; A47J 37/0864;
A47J 37/0878; A47J 37/0885; A47J
37/0892; F24C 15/10; F24C 15/102
See application file for complete search history.

- D759,417 S 6/2016 Carpenter et al.
- D761,610 S 7/2016 Carpenter et al.
- D798,098 S 9/2017 Bournay, Jr. et al.
- D810,492 S * 2/2018 Carpenter D7/330

* cited by examiner

Primary Examiner — Ricky Pham
(74) *Attorney, Agent, or Firm* — Price Heneveld LLP

(57) **CLAIM**

We claim the ornamental design for a toaster, as shown and described.

DESCRIPTION

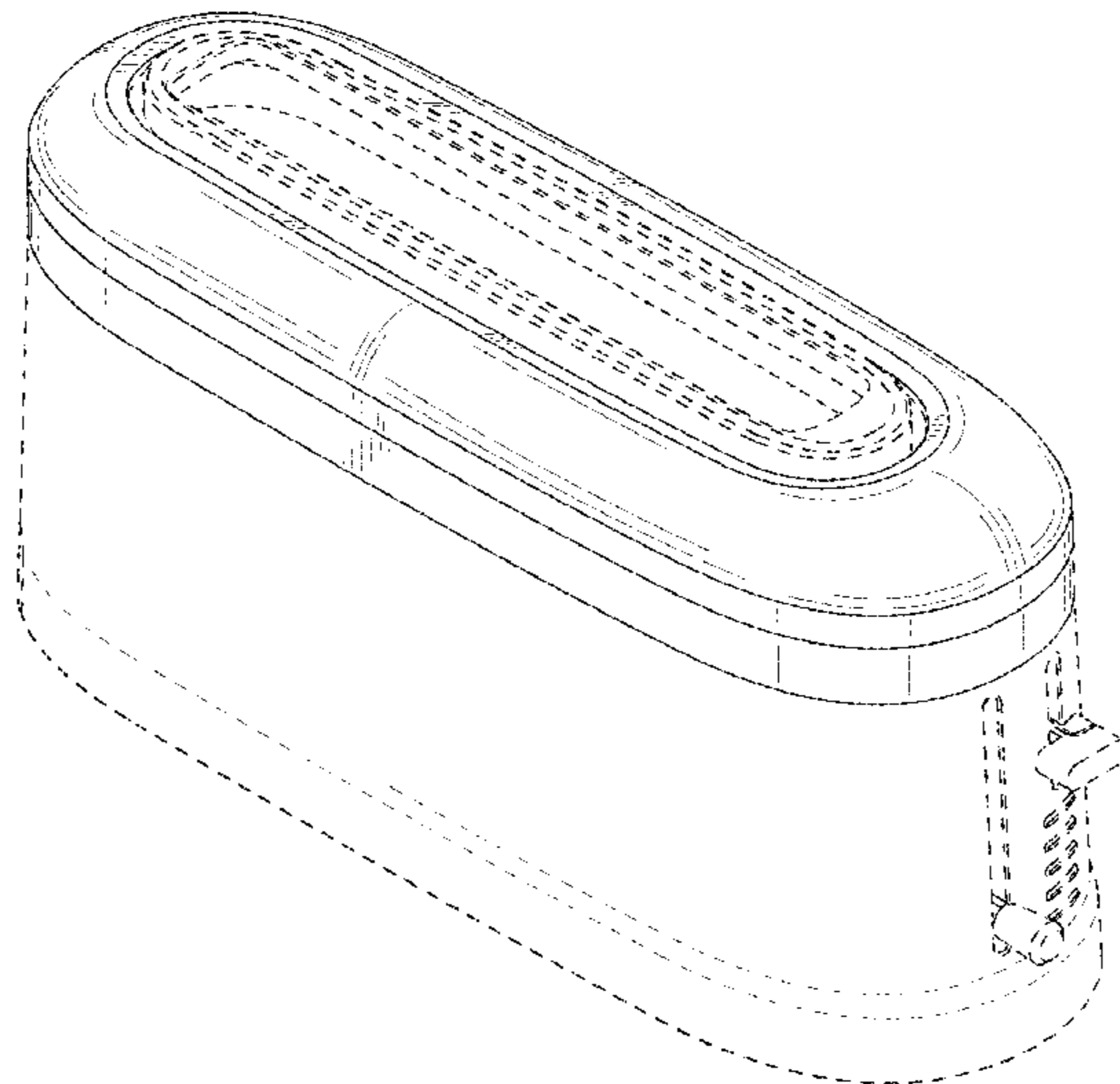
FIG. 1 is a front perspective view of another embodiment of a toaster of the present disclosure;
 FIG. 2 is a rear perspective view of the toaster of FIG. 1;
 FIG. 3 is a front elevational view of the toaster of FIG. 1;
 FIG. 4 is a rear elevational view of the toaster of FIG. 1;
 FIG. 5 is a first side elevational view of the toaster of FIG. 1;
 FIG. 6 is a second side elevational view of the toaster of FIG. 1;
 FIG. 7 is a top plan view of the toaster of FIG. 1;
 FIG. 8 is a bottom plan view of the toaster of FIG. 1;
 FIG. 9 is a front perspective view of another embodiment of a toaster of the present disclosure;
 FIG. 10 is a rear perspective view of the toaster of FIG. 9;
 FIG. 11 is a front elevational view of the toaster of FIG. 9;
 FIG. 12 is a rear elevational view of the toaster of FIG. 9;
 FIG. 13 is a first side elevational view of the toaster of FIG. 9;
 FIG. 14 is a second side elevational view of the toaster of FIG. 9;
 FIG. 15 is a top plan view of the toaster of FIG. 9; and,
 FIG. 16 is a bottom plan view of the toaster of FIG. 9.
 The broken lines depict portions of the article that form no part of the claimed design.

1 Claim, 16 Drawing Sheets

(56) **References Cited**

U.S. PATENT DOCUMENTS

- D148,936 S * 3/1948 Laylon D7/330
- D425,358 S * 5/2000 Hughes D7/330
- D470,710 S * 2/2003 Littmann D7/330
- D474,639 S * 5/2003 To D7/330
- D548,512 S * 8/2007 Nakatani D7/330
- D599,607 S * 9/2009 Verdun D7/330
- D655,564 S * 3/2012 Gregory D7/330
- D746,093 S * 12/2015 Bazzicalupo D7/330



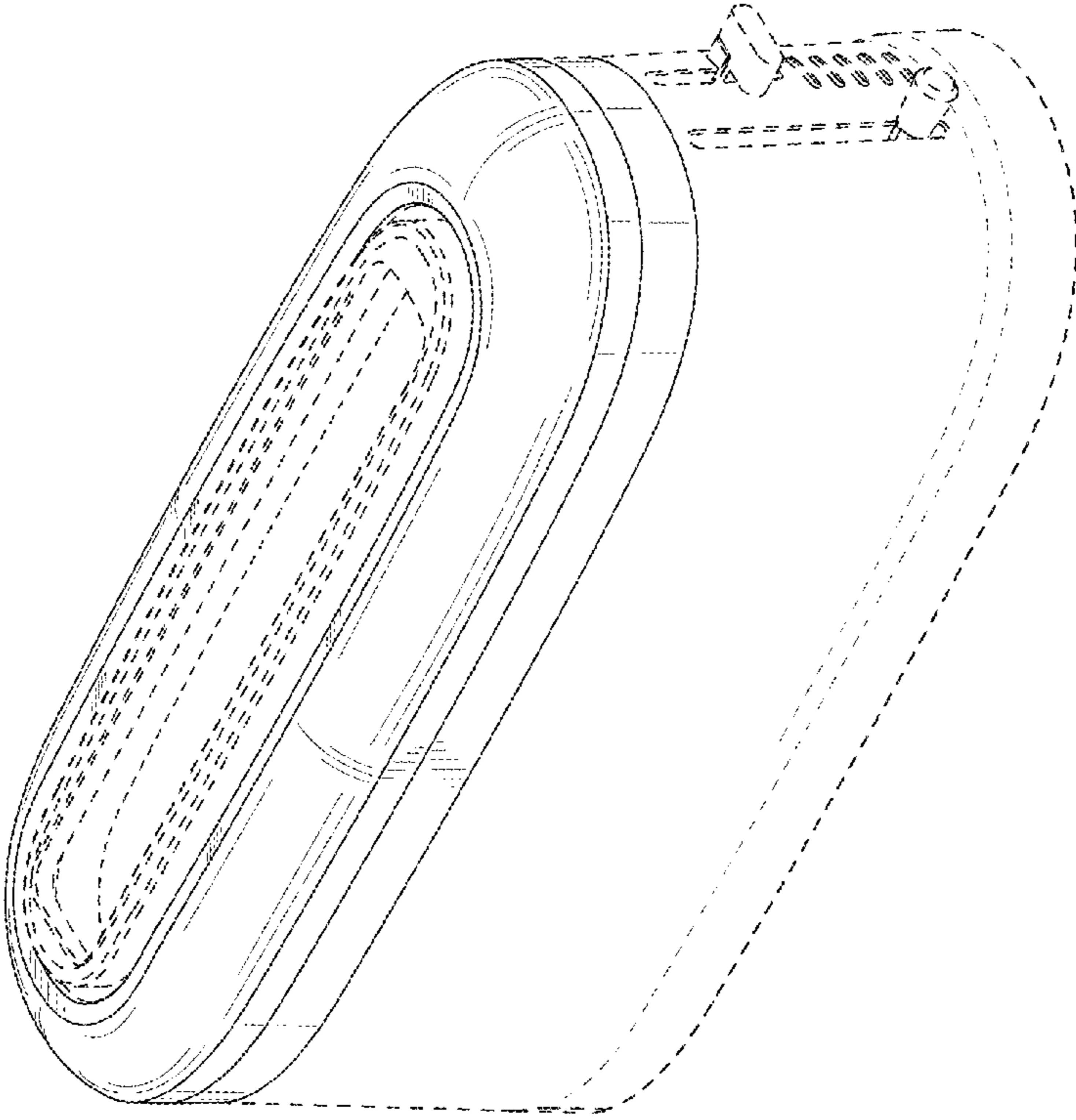


FIG. 1

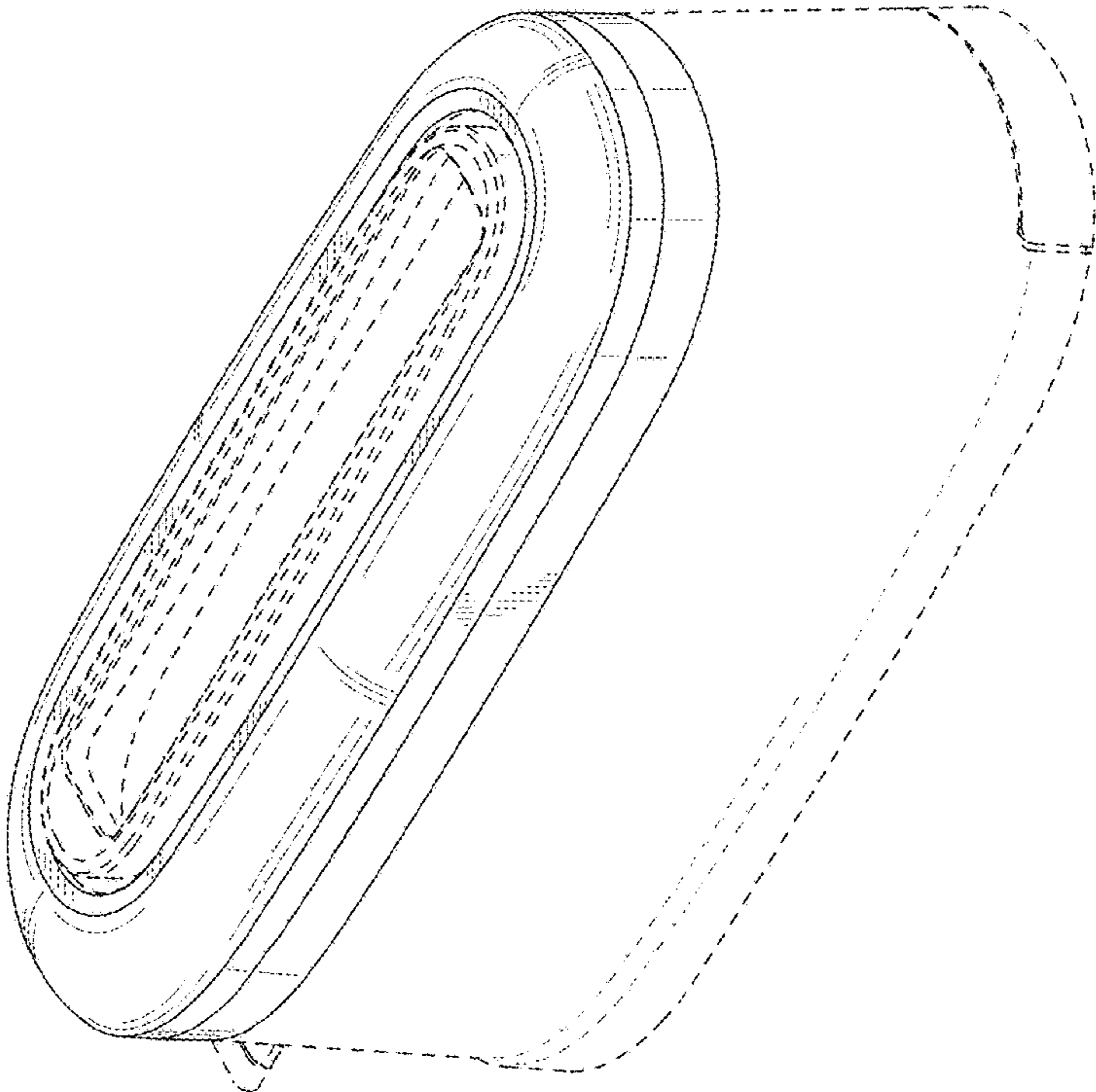


FIG. 2

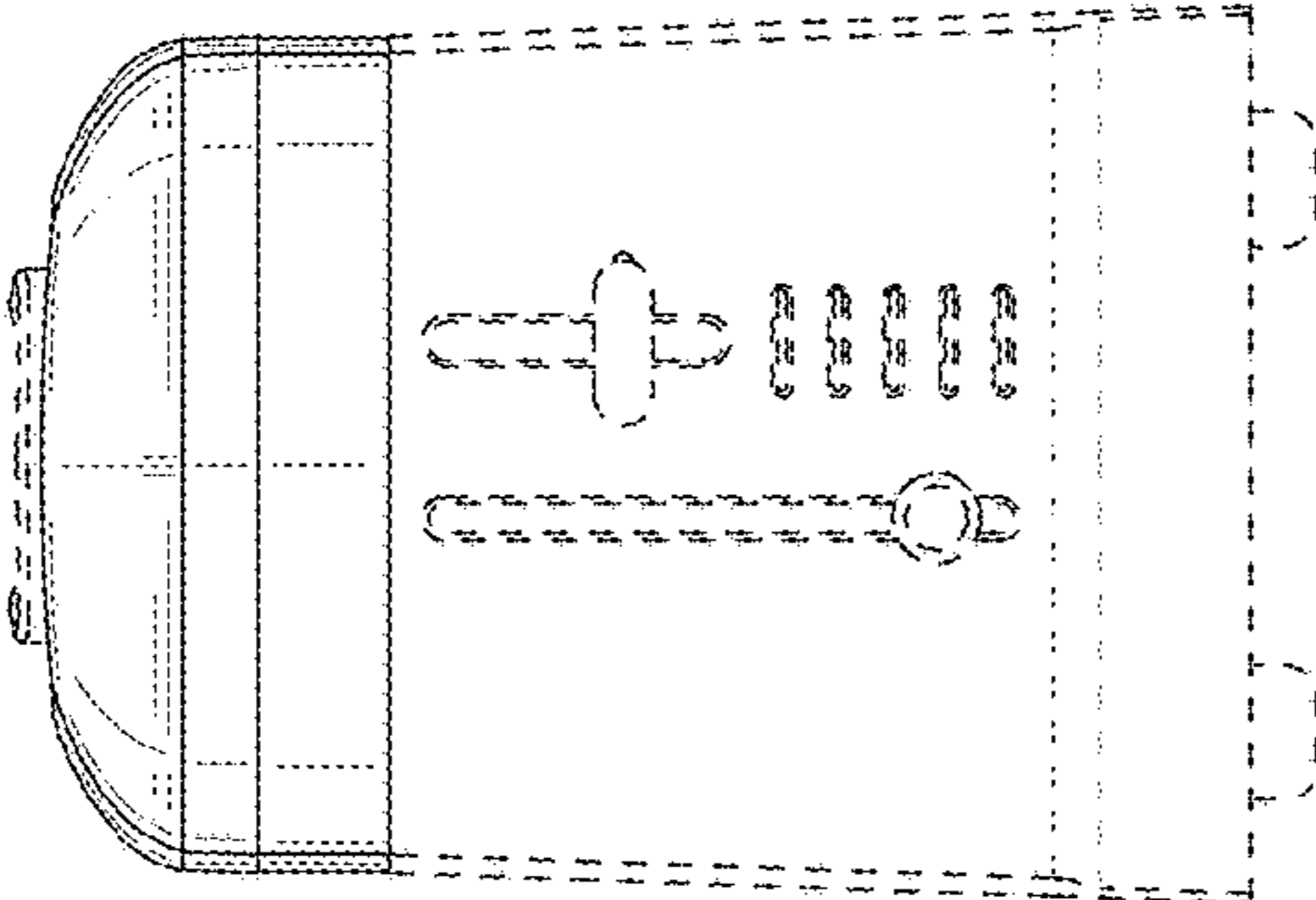


FIG. 3

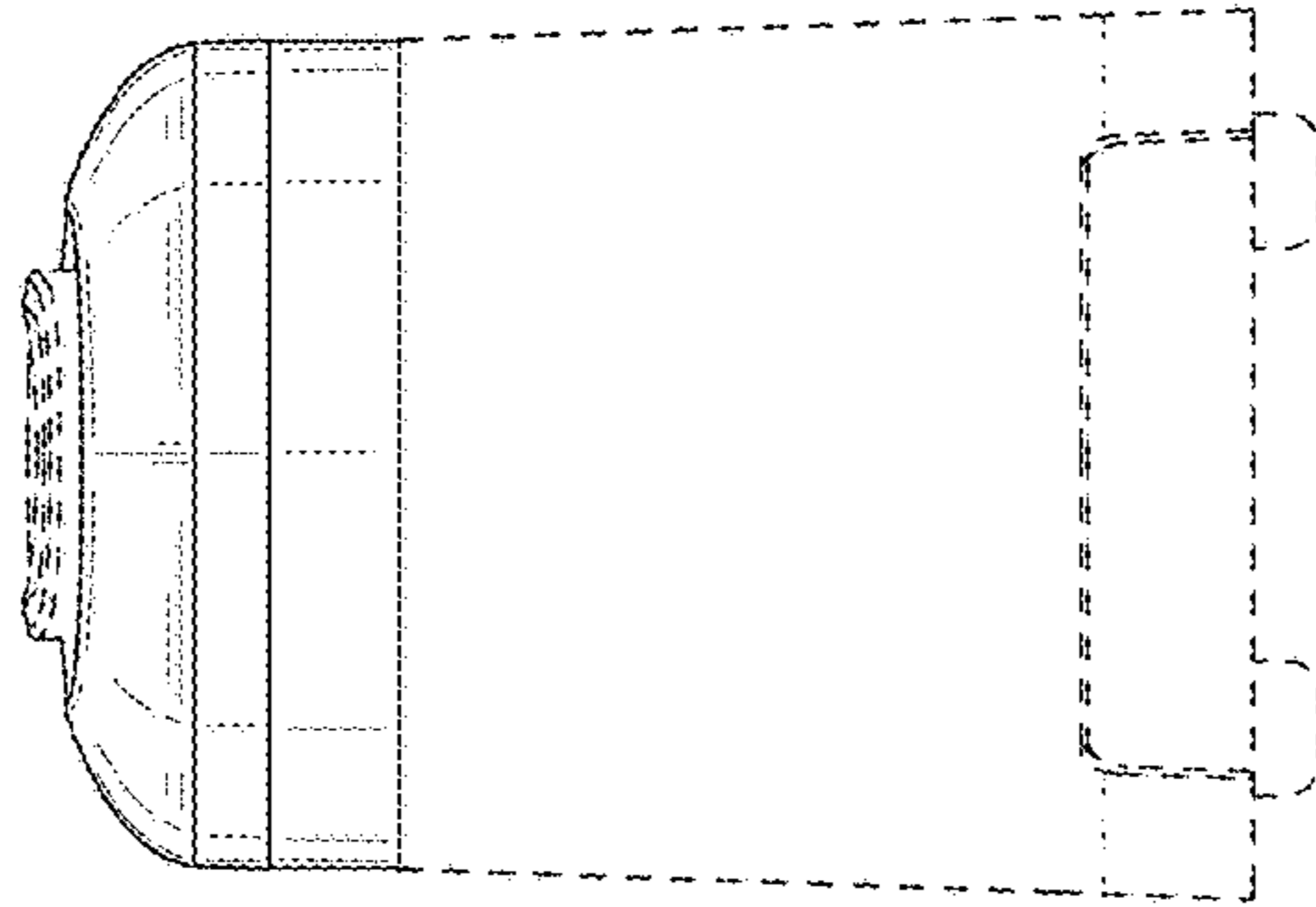


FIG. 4

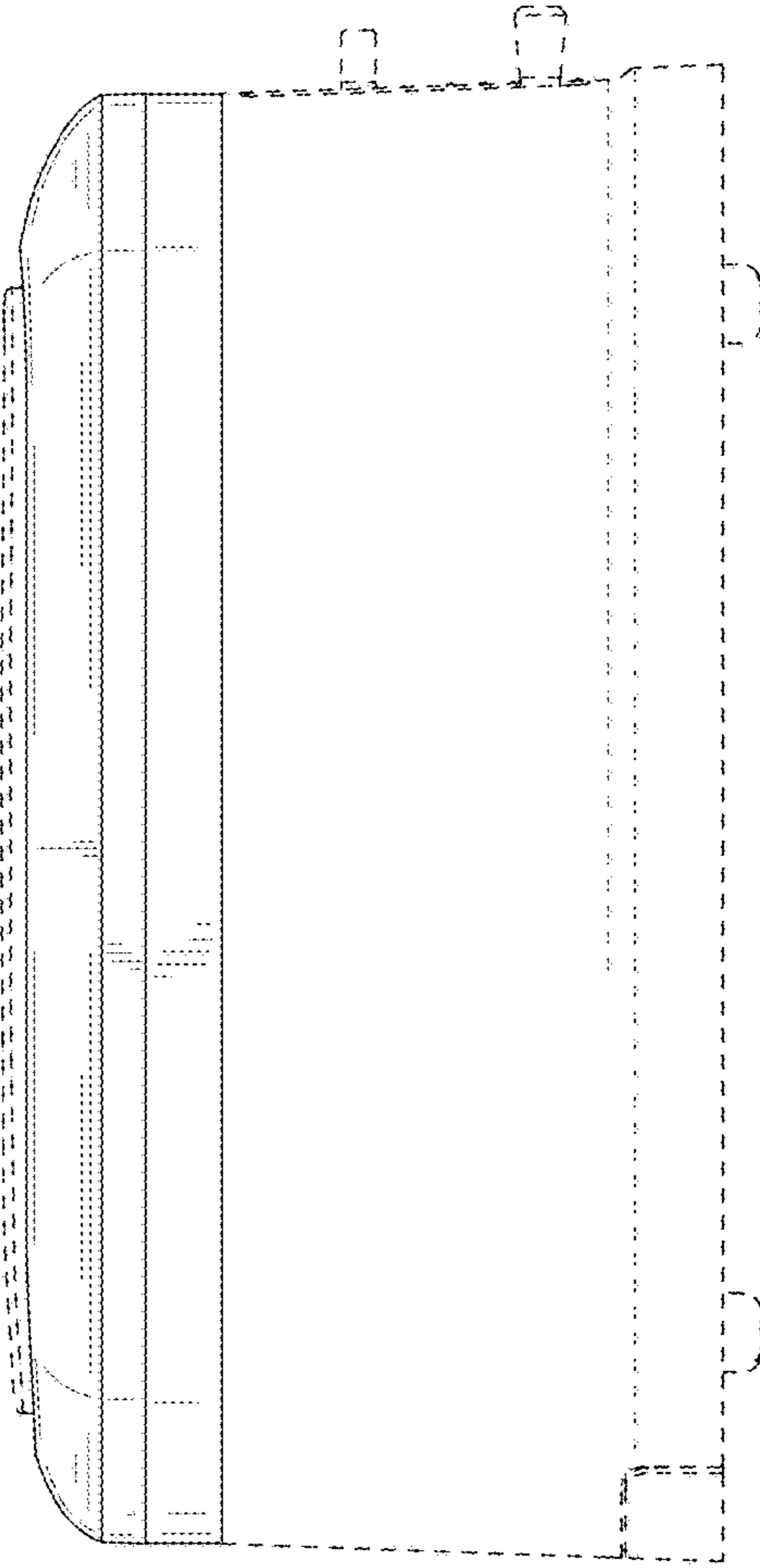


FIG. 5

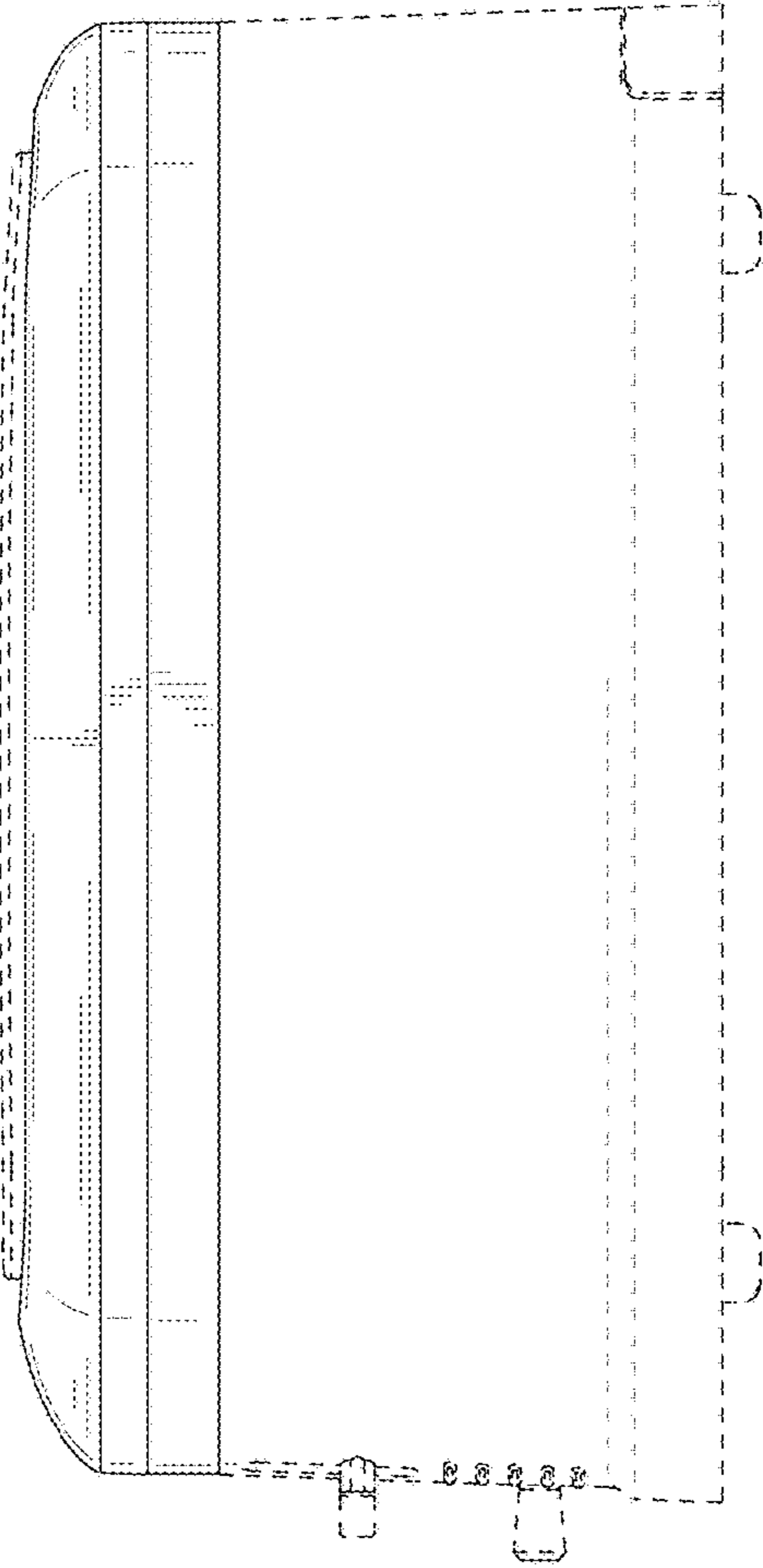


FIG. 6

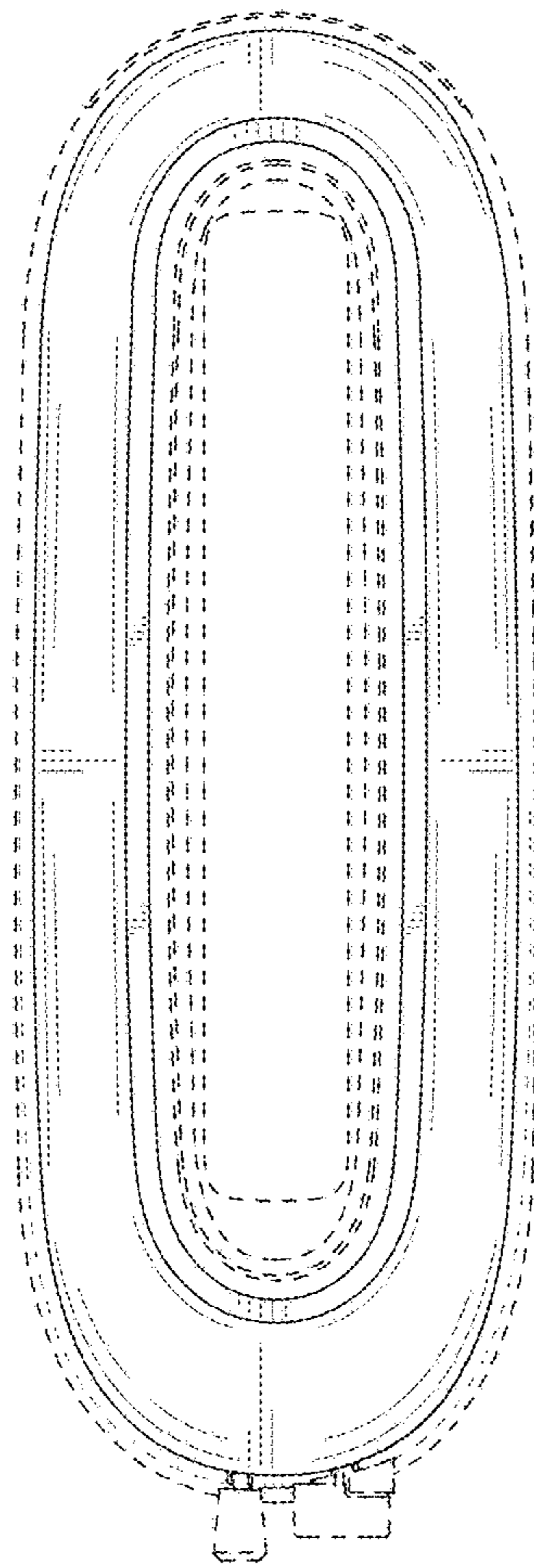


FIG. 7

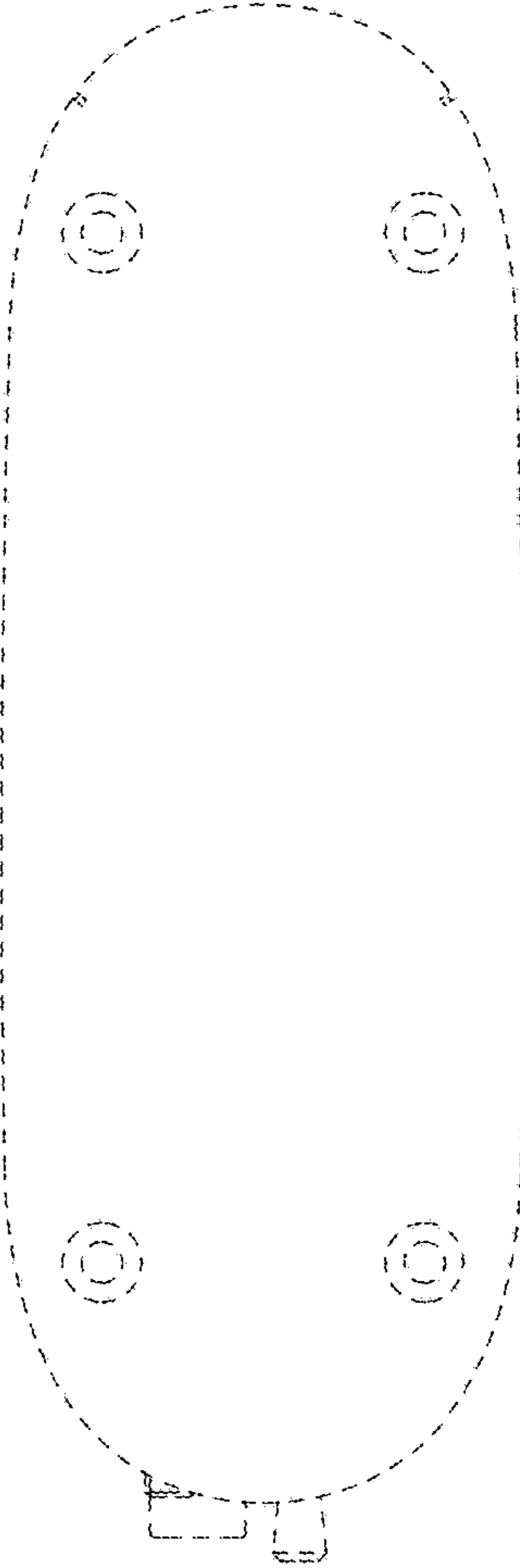


FIG. 8

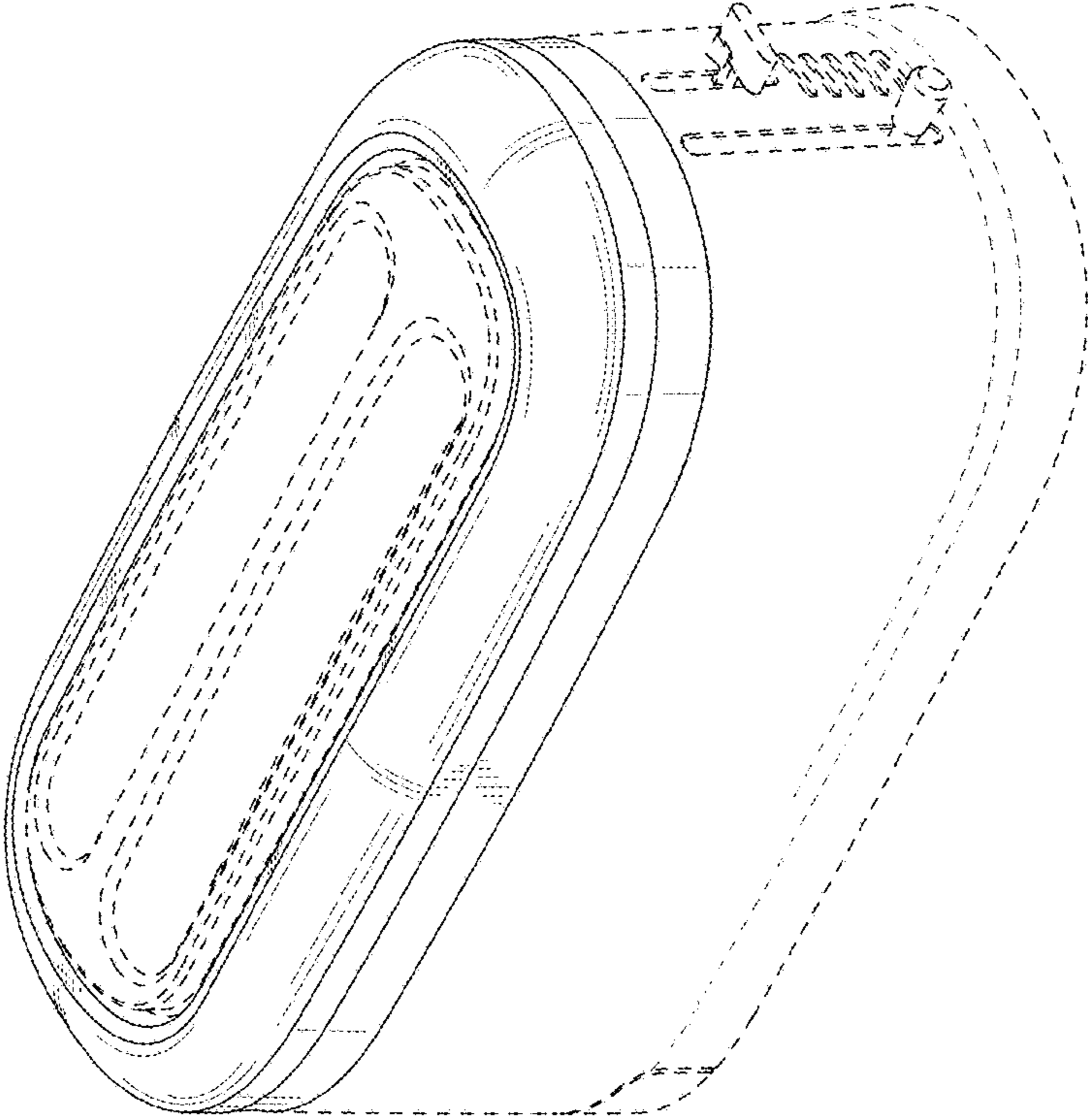


FIG. 9

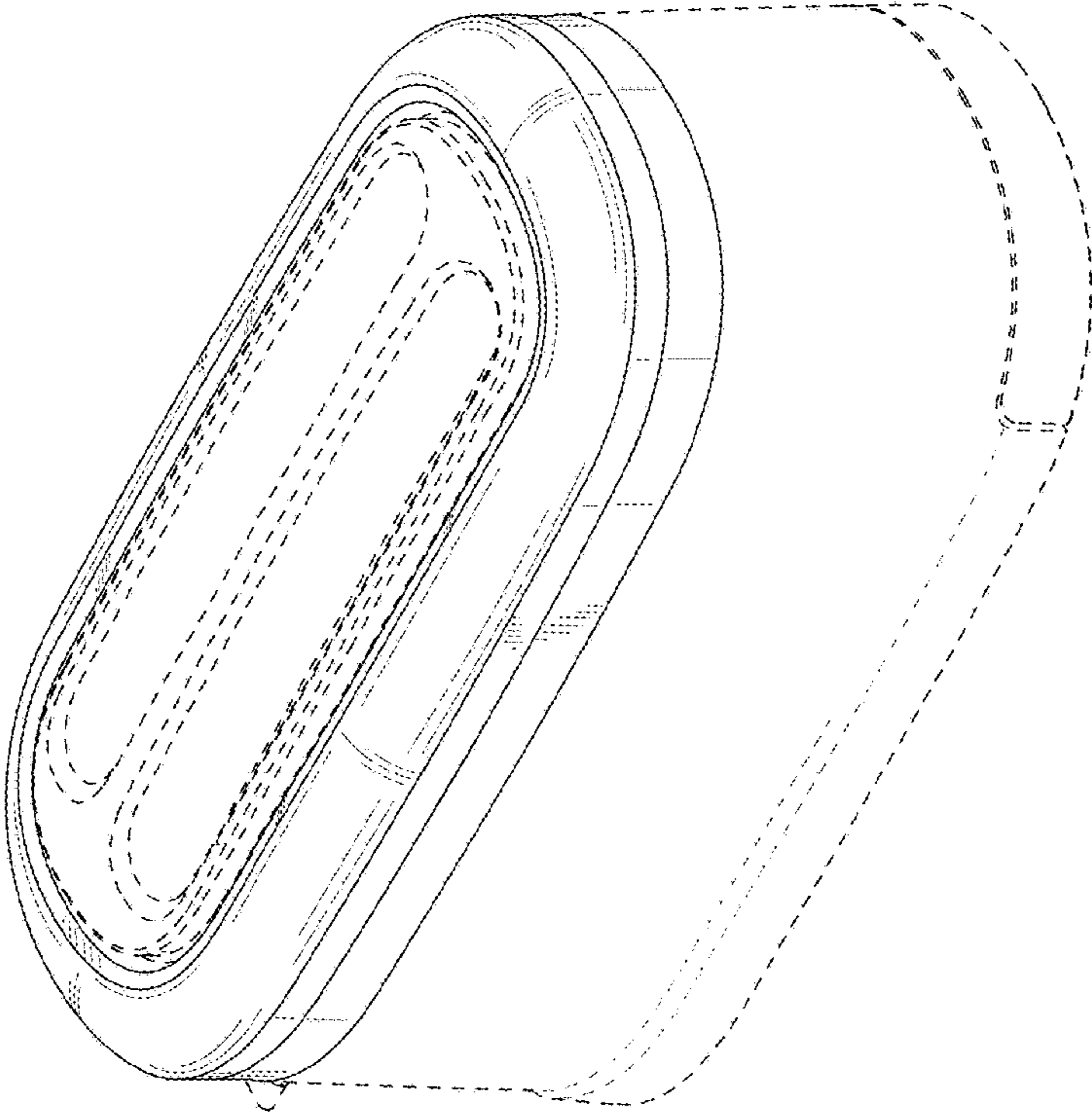


FIG. 10

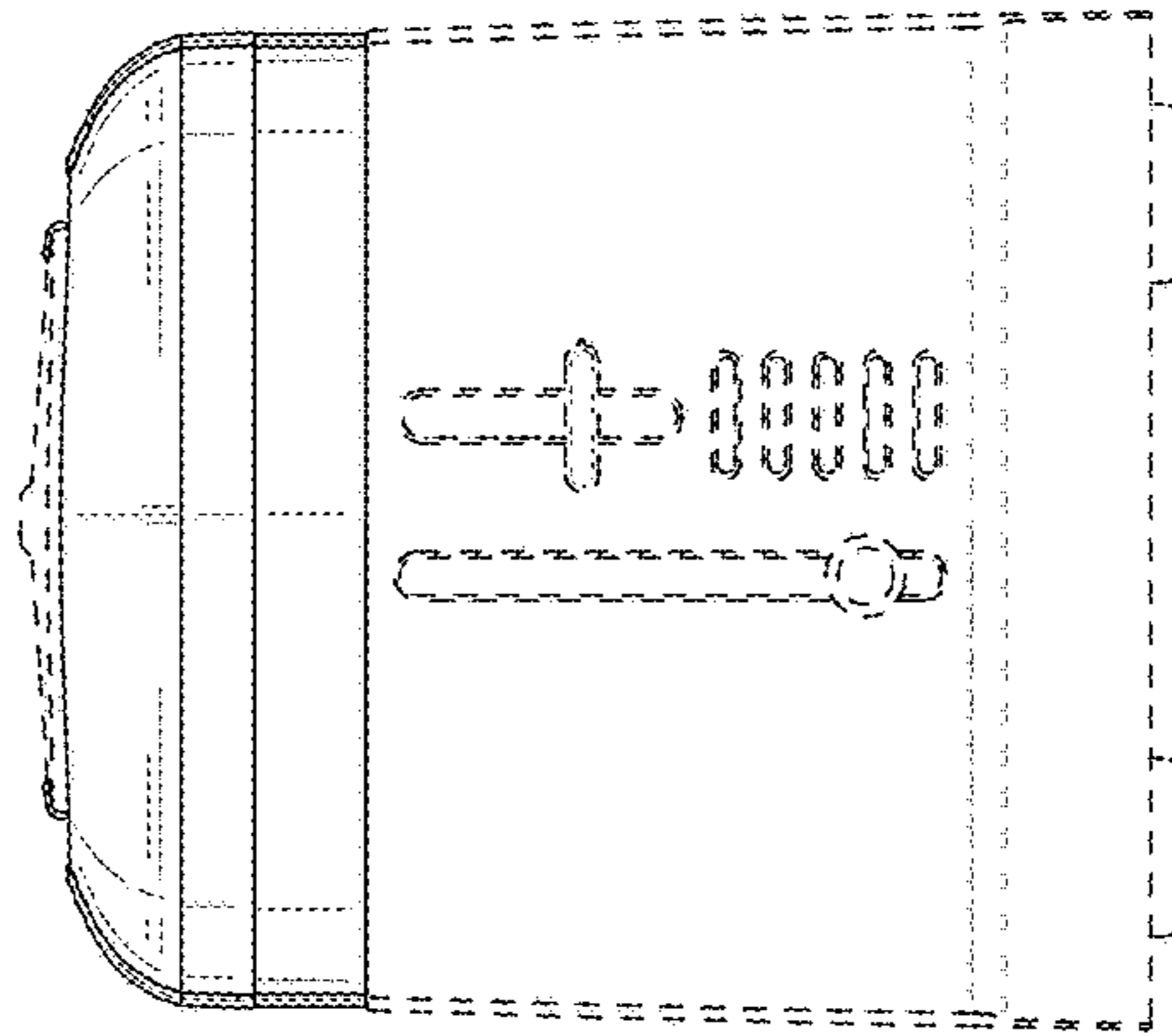


FIG. 11

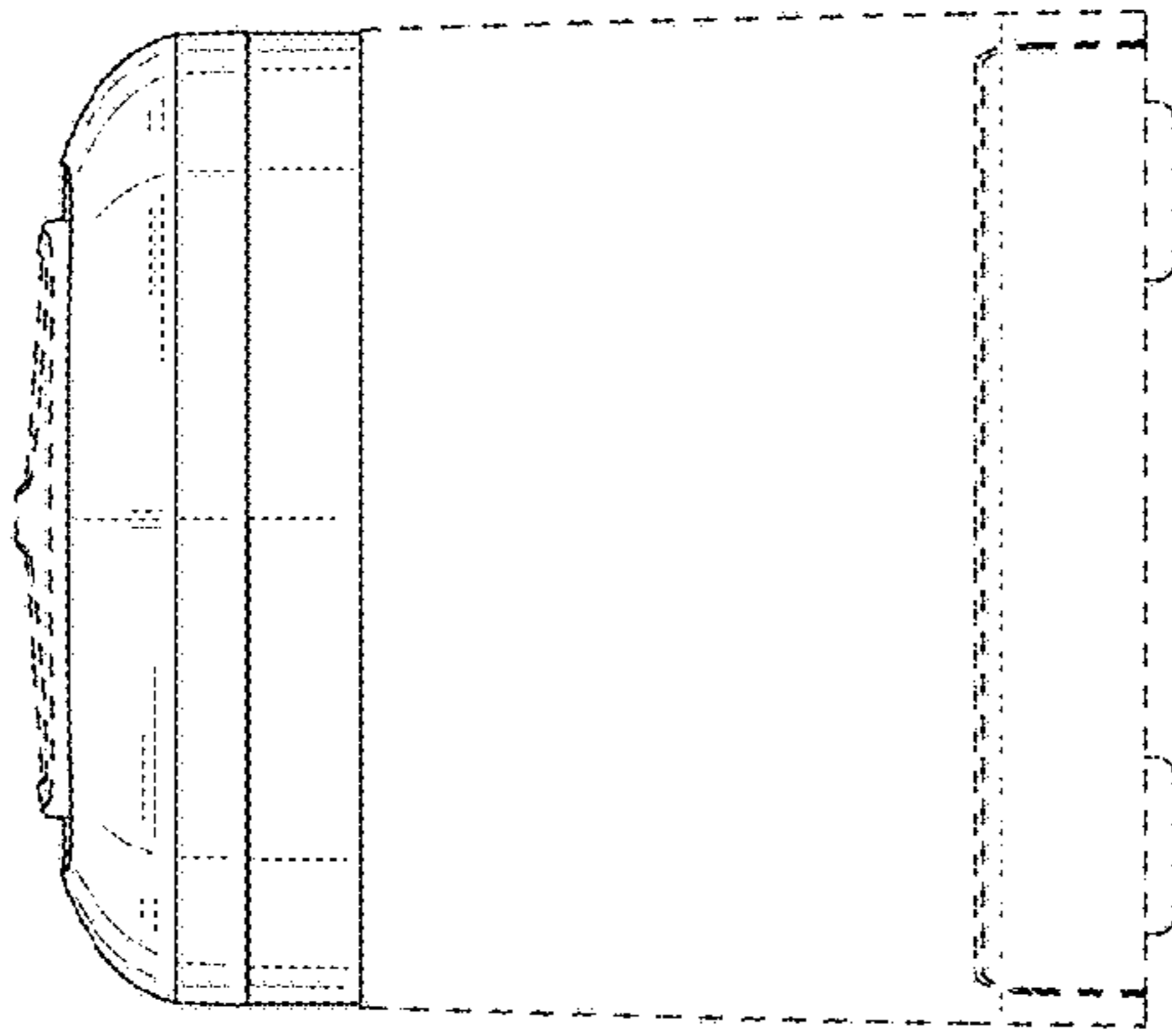


FIG. 12

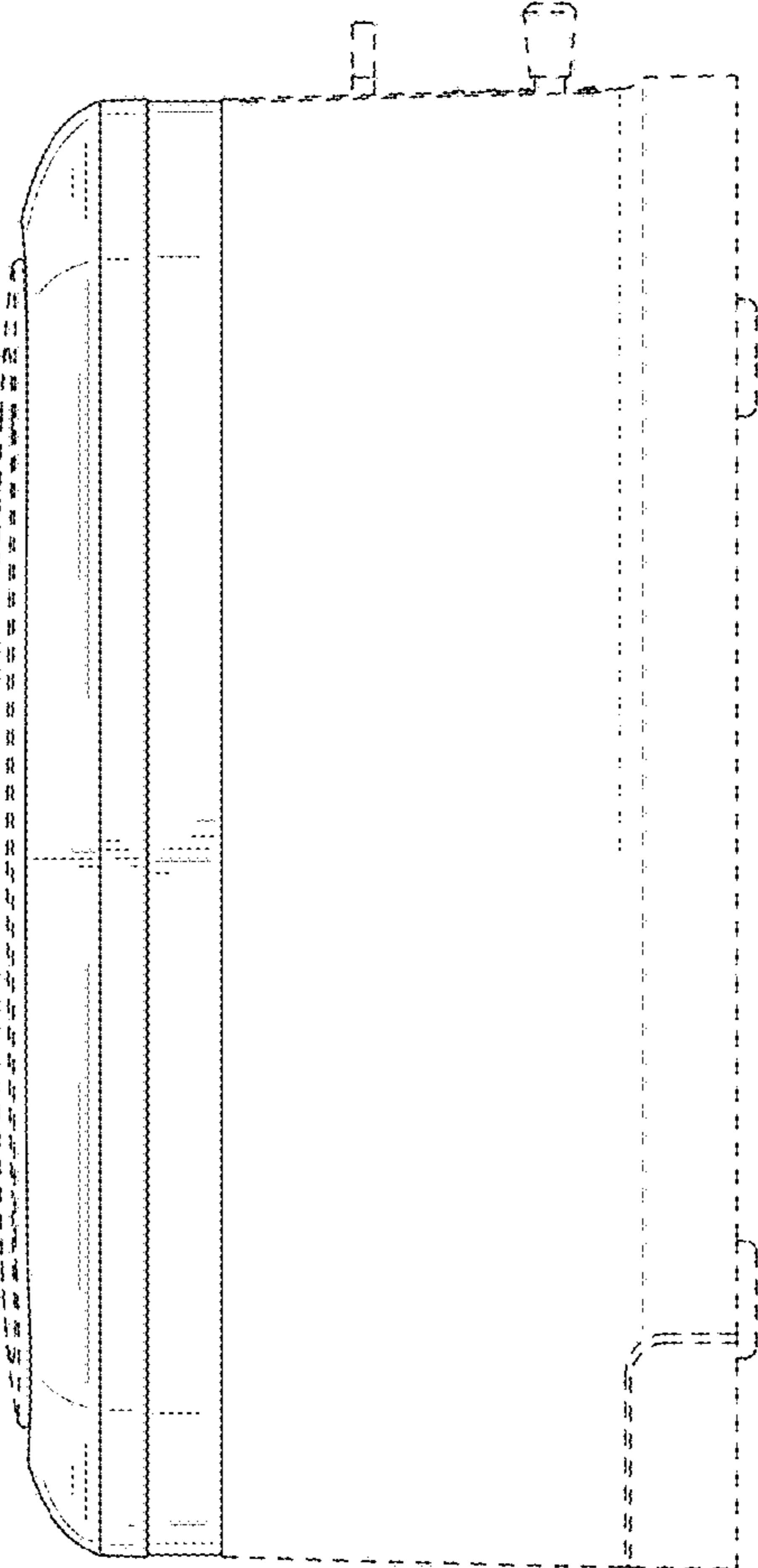


FIG. 13

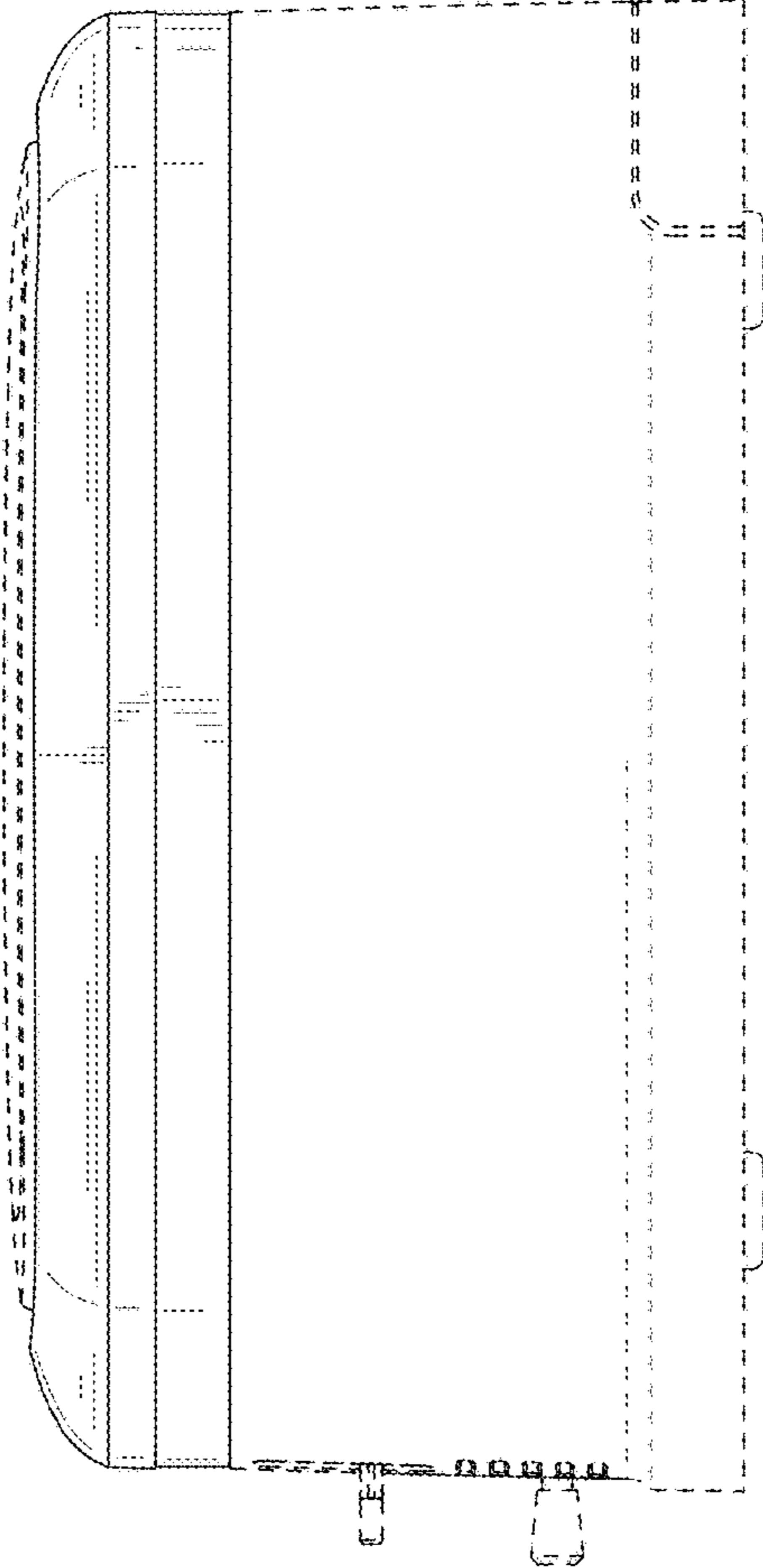


FIG. 14

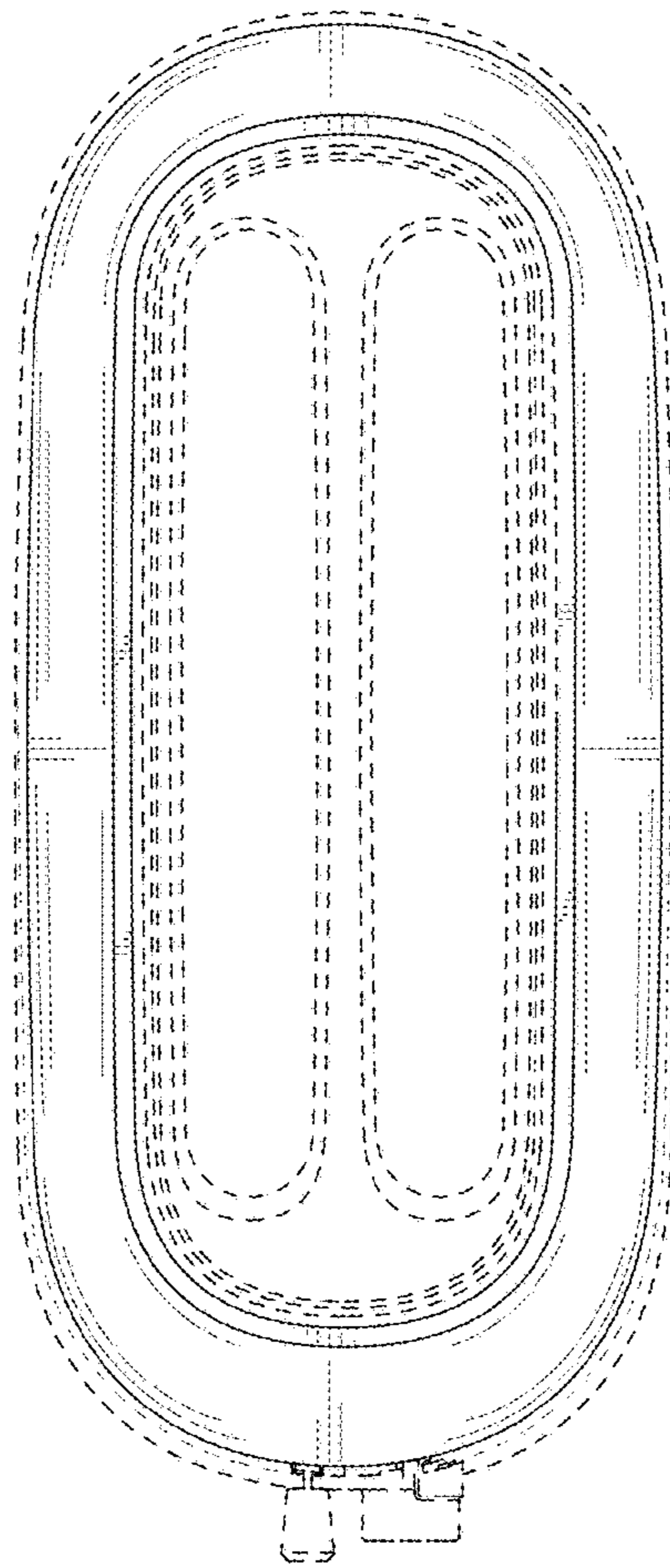


FIG. 15

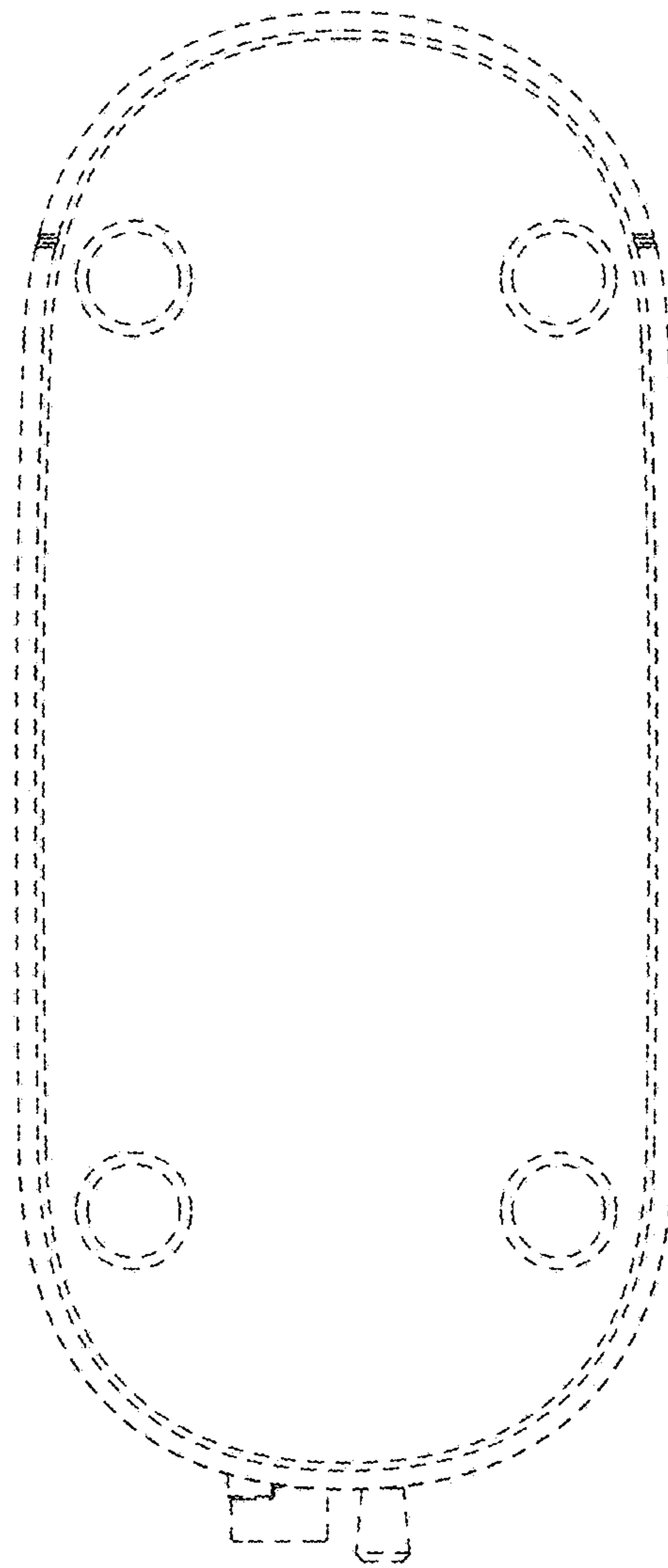


FIG. 16