



US00D841384S

(12) **United States Design Patent**
Fürstenberg et al.

(10) **Patent No.:** **US D841,384 S**

(45) **Date of Patent:** **** Feb. 26, 2019**

(54) **COFFEE MACHINE**

(71) Applicant: **Schaerer AG**, Zuchwil (CH)

(72) Inventors: **Michael Fürstenberg**, Ulm (DE);
Thomas Starczewski, Ulm (DE)

(73) Assignee: **SCHAERER AG**, Zuchwil (CH)

(**) Term: **15 Years**

(21) Appl. No.: **29/588,894**

(22) Filed: **Dec. 23, 2016**

(51) **LOC (11) Cl.** **07-01**

(52) **U.S. Cl.**
USPC **D7/309; D7/311**

(58) **Field of Classification Search**
USPC D7/306-311, 397, 399, 305, 373;
99/295; D20/1, 4; D15/80
CPC A47J 31/3614; A47J 31/4403; A47J 31/46
See application file for complete search history.

(56) **References Cited**

U.S. PATENT DOCUMENTS

D313,724 S *	1/1991	Pinon	D7/308
D395,975 S *	7/1998	Munoz	D7/308
5,813,318 A *	9/1998	Zanin	A47J 31/007 99/291
D417,580 S *	12/1999	Fusi	D7/309
D439,788 S *	4/2001	Bettini	D7/309

D476,842 S *	7/2003	Cortese	D7/308
D497,510 S *	10/2004	Comorera Ivanov	D7/307
6,862,978 B1 *	3/2005	Fogagnolo	A47J 31/4403 99/279
D550,498 S *	9/2007	Vicente Seguer	D7/309
D672,998 S *	12/2012	Bonetto	D7/308
D695,052 S *	12/2013	Ottavi	D7/309
D740,600 S *	10/2015	Damon	D7/307
D758,778 S *	6/2016	Bonetto	D7/306
D785,395 S *	5/2017	Damon	D7/307
D807,099 S *	1/2018	De' Longhi	D7/309
D807,675 S *	1/2018	De' Longhi	D7/309

* cited by examiner

Primary Examiner — Marianne N Pandozzi

(74) *Attorney, Agent, or Firm* — Birch, Stewart, Kolasch & Birch, LLP

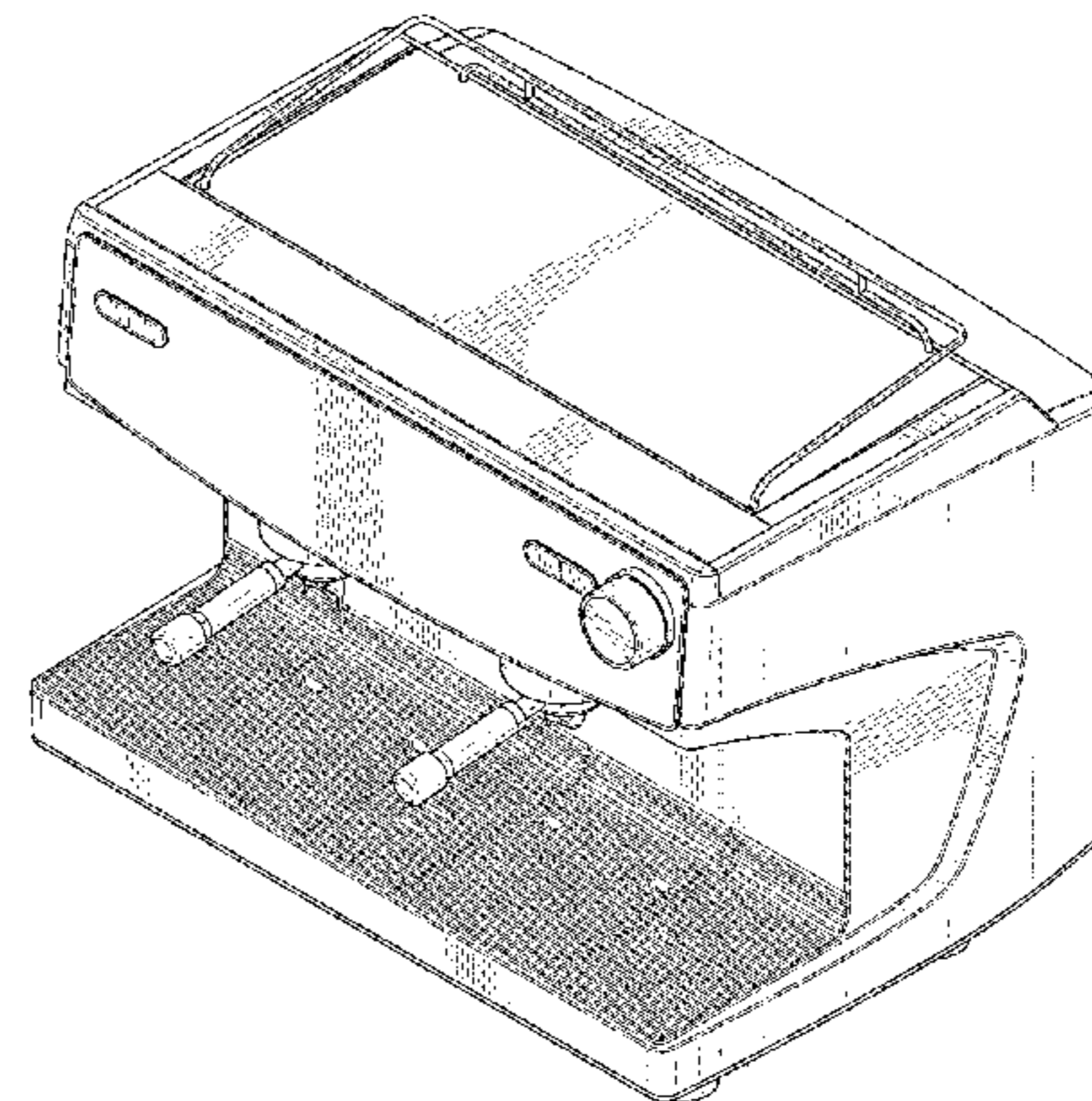
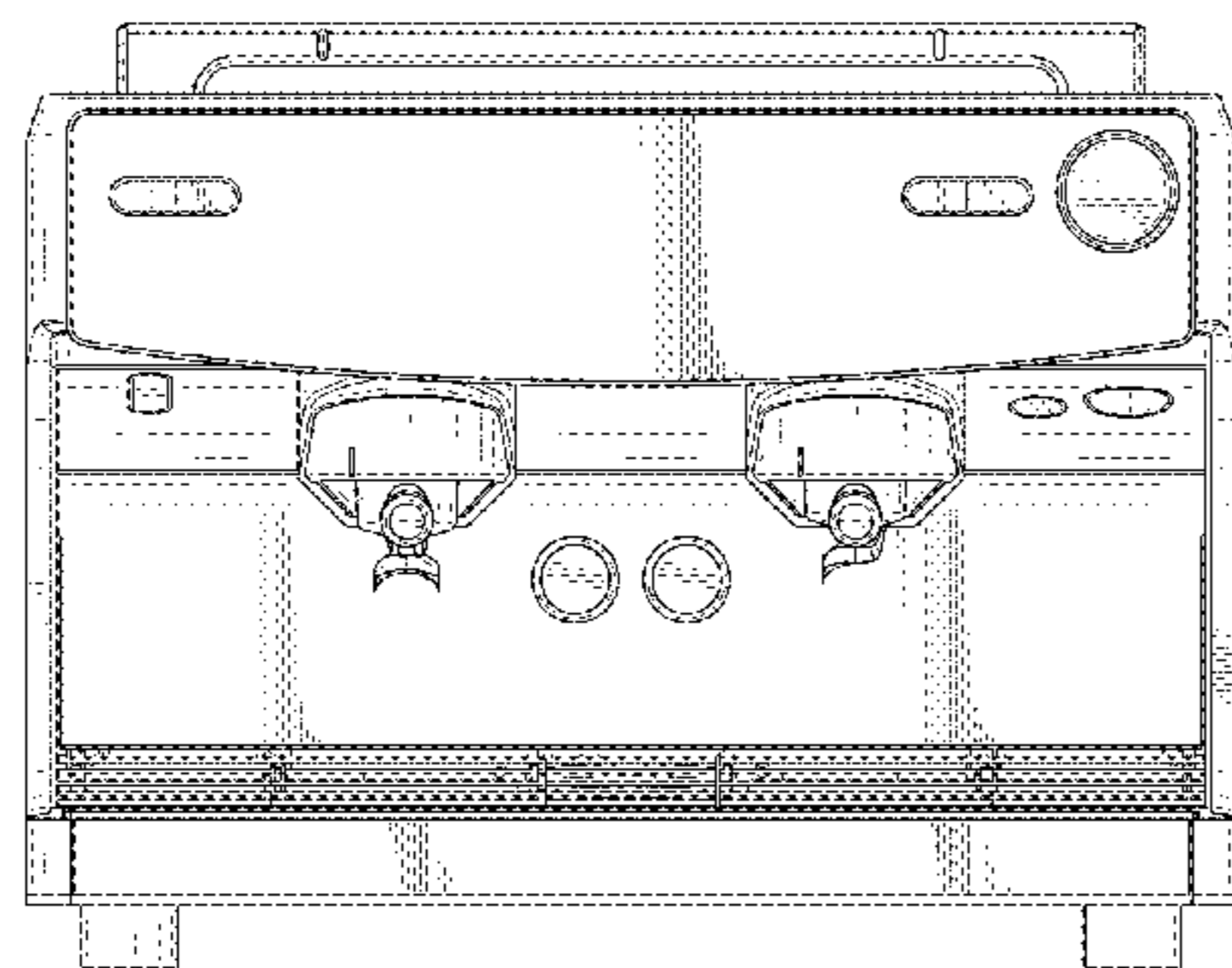
(57) **CLAIM**

The ornamental design for a coffee machine, as shown and described.

DESCRIPTION

FIG. 1 is a front view of a coffee machine showing our new design;
FIG. 2 is a right side view thereof;
FIG. 3 is a left side view thereof;
FIG. 4 is a top plan view thereof;
FIG. 5 is a bottom plan view thereof;
FIG. 6 is a perspective view thereof; and,
FIG. 7 is a rear view thereof.

1 Claim, 7 Drawing Sheets



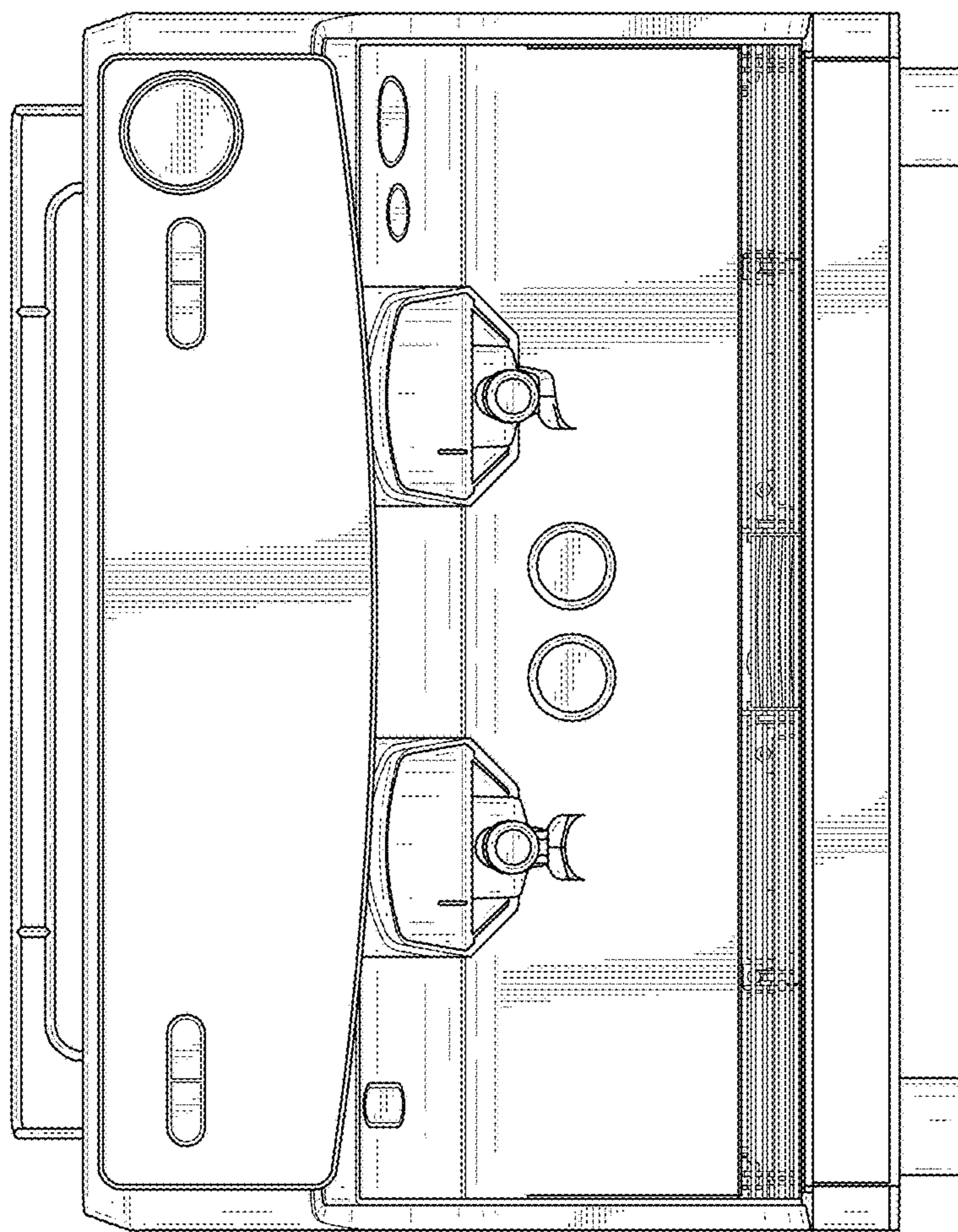


FIG.1

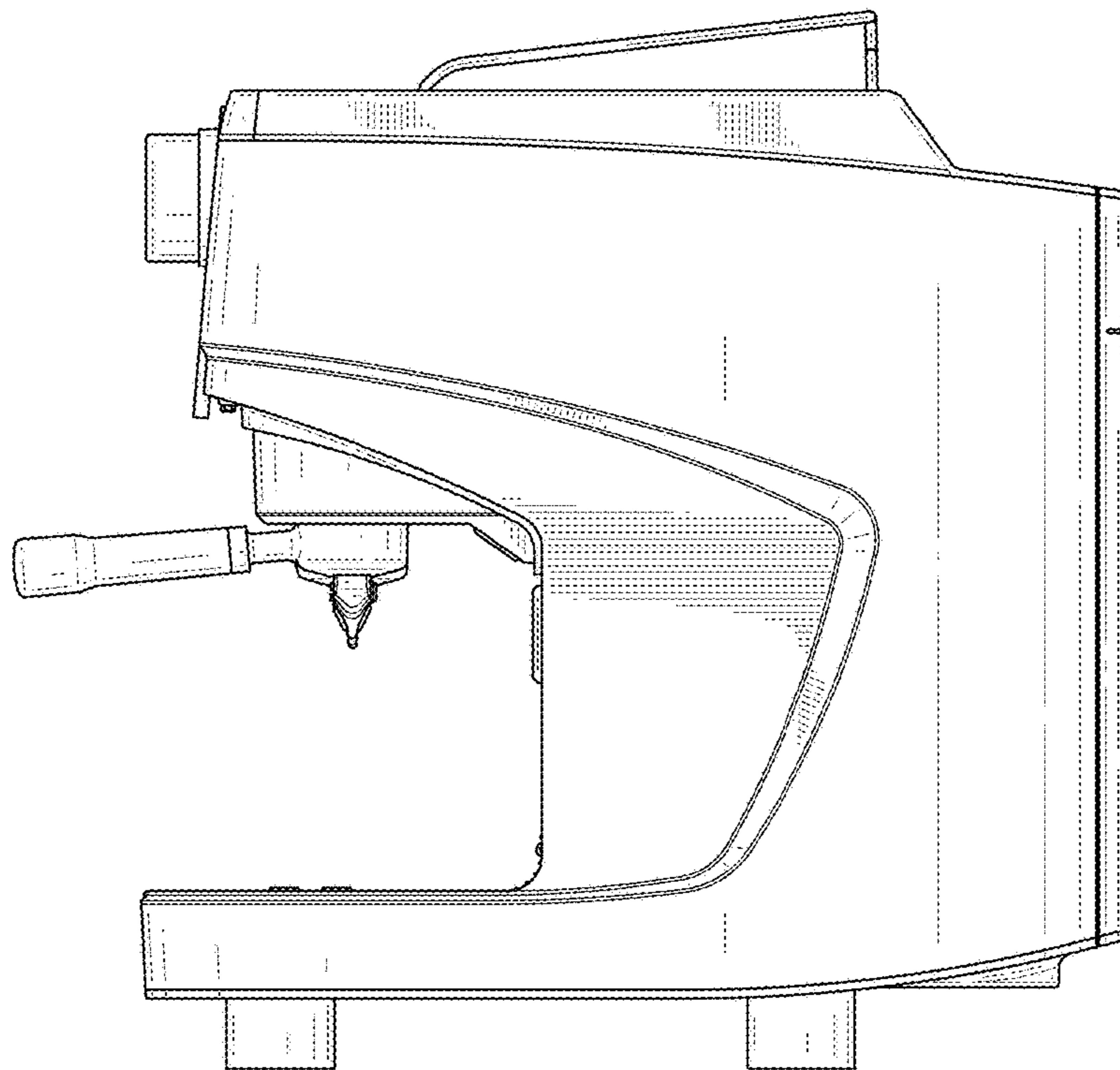


FIG.2

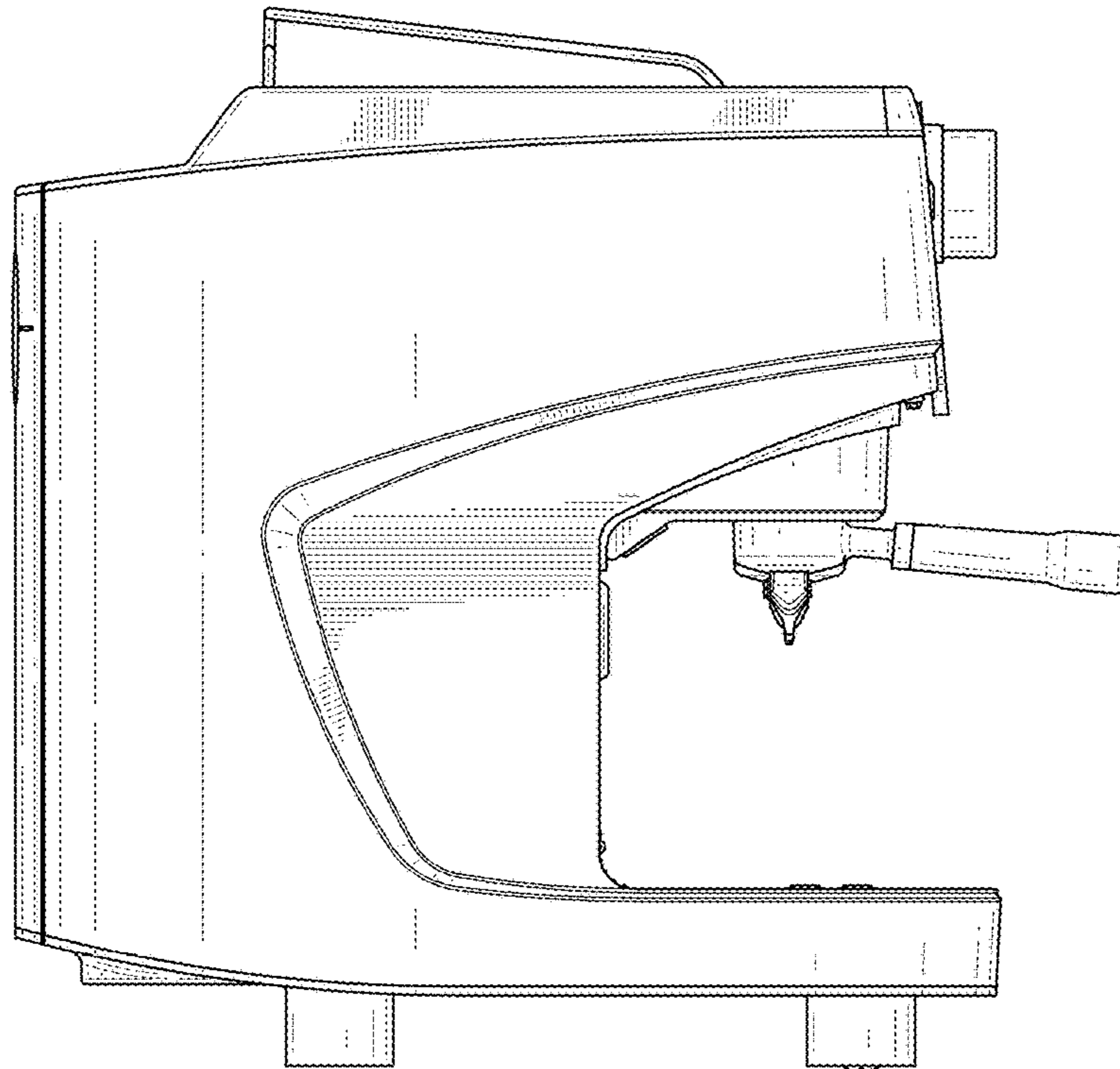


FIG.3

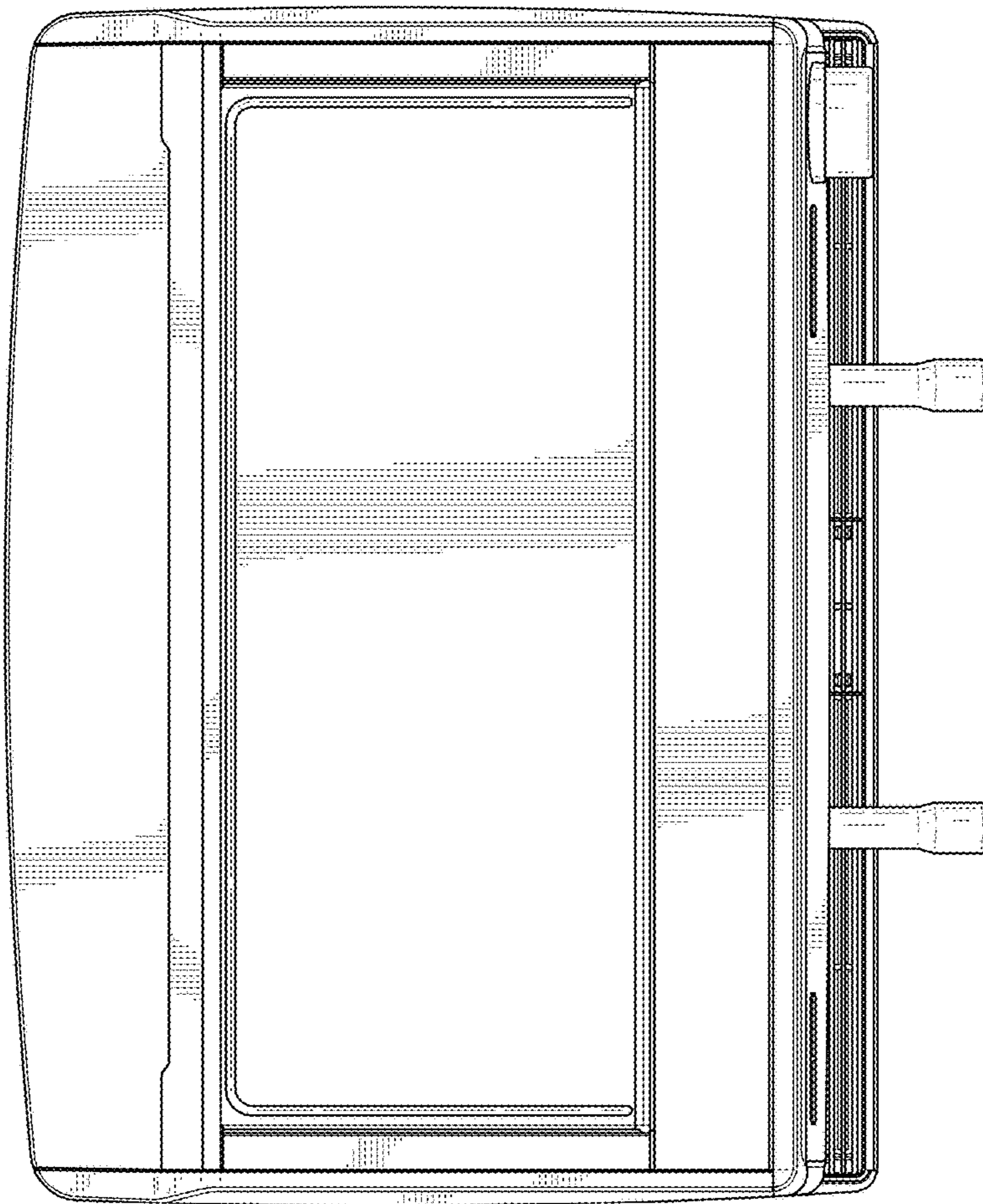


FIG.4

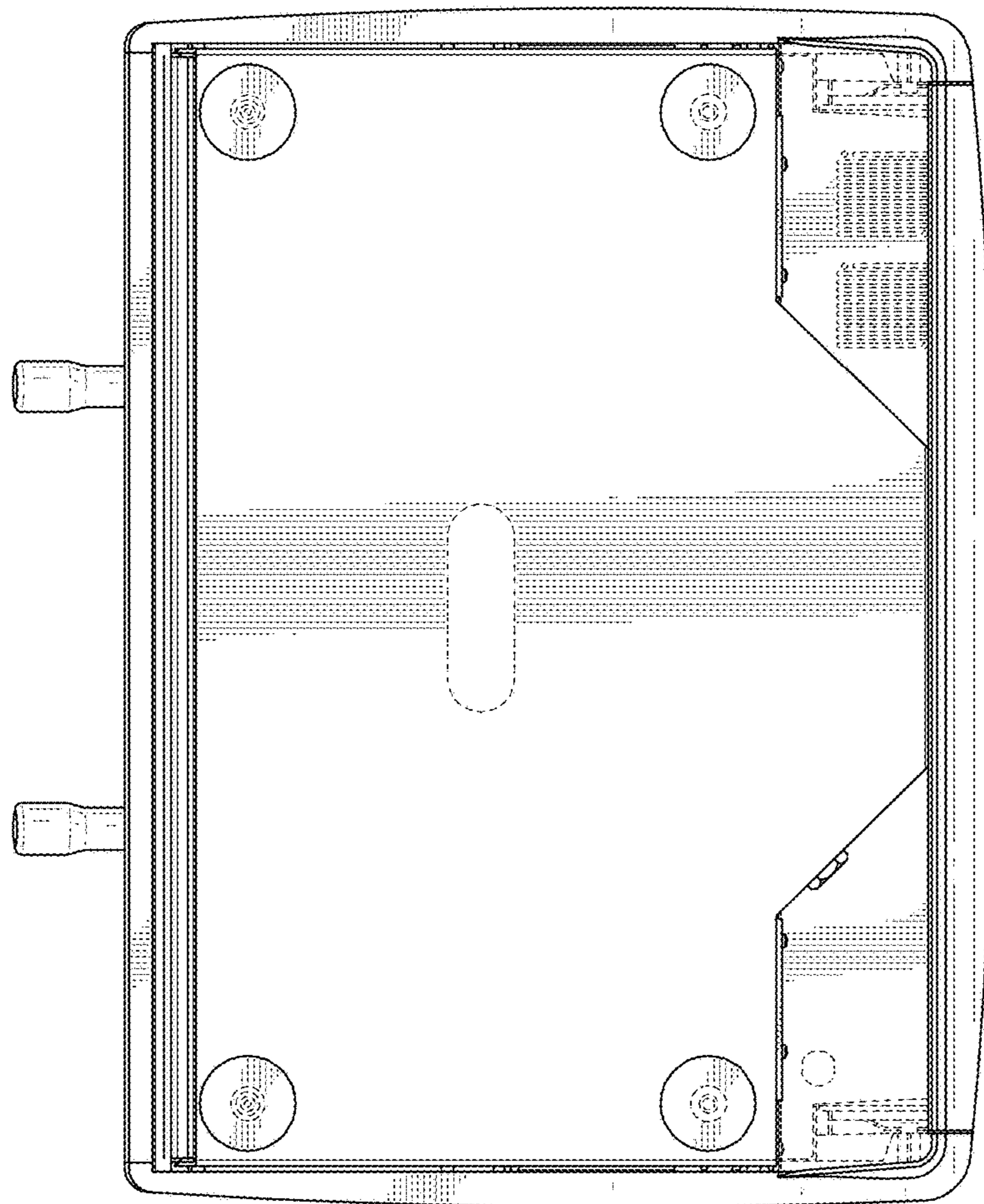


FIG.5

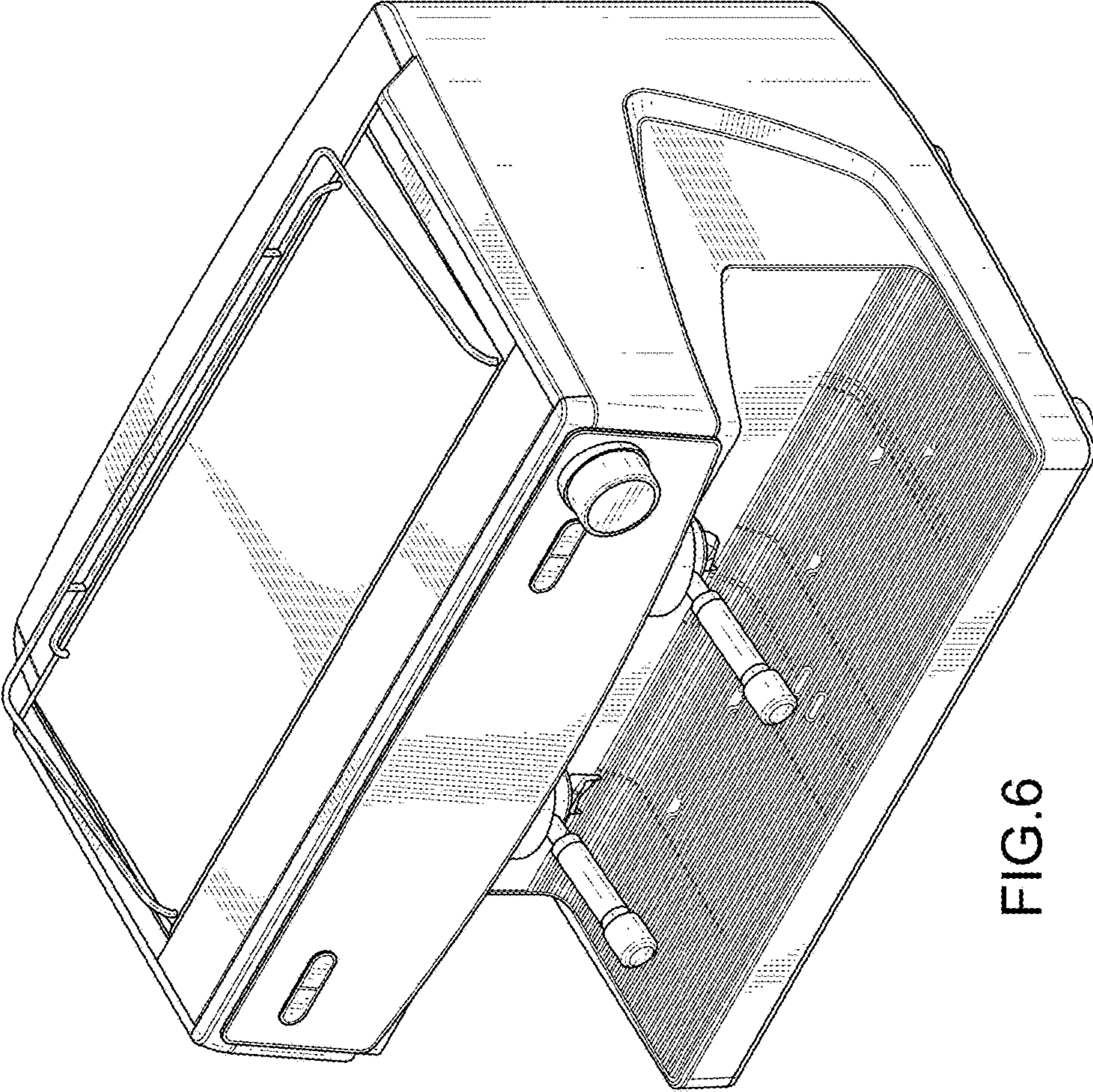


FIG.6

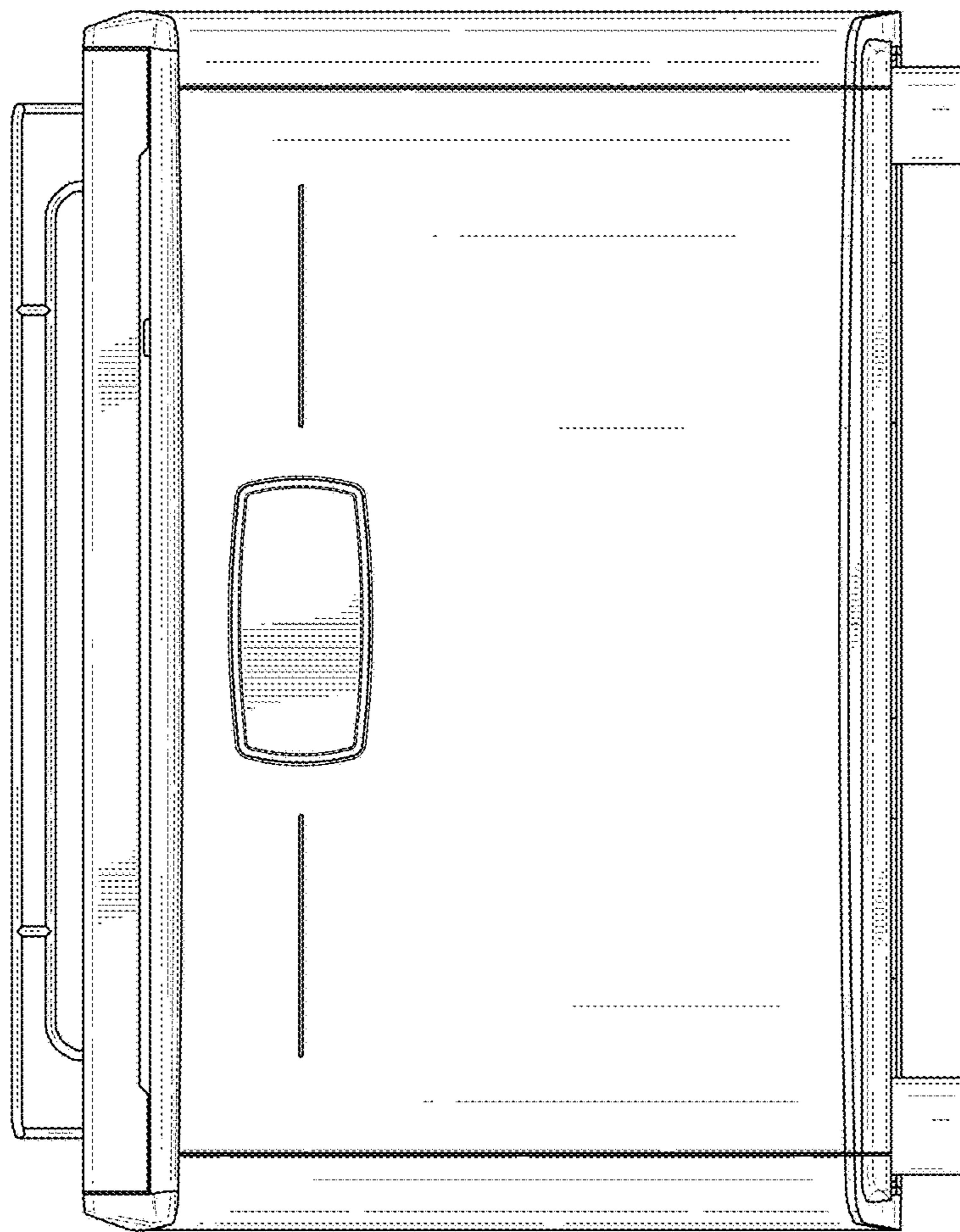


FIG.7