



US00D841383S

(12) **United States Design Patent**
Warburton

(10) **Patent No.:** **US D841,383 S**
(45) **Date of Patent:** **** Feb. 26, 2019**

- (54) **COFFEE MAKER**
- (71) Applicant: **KONINKLIJKE PHILIPS N.V.**,
Eindhoven (NL)
- (72) Inventor: **Graeme Antony Warburton**, Hoogland
(NL)
- (73) Assignee: **KONINKLIJKE PHILIPS N.V.**,
Eindhoven (NL)
- (**) Term: **15 Years**
- (21) Appl. No.: **35/502,074**
- (22) Filed: **Jun. 12, 2016**

D556,497 S *	12/2007	Harris	D7/306
D595,992 S *	7/2009	Clark	D7/309
D666,051 S *	8/2012	de Pra	D7/309
D666,451 S *	9/2012	Cheng	D7/309
D667,251 S *	9/2012	Cahen	D7/306
D718,565 S *	12/2014	Spagnolo	D7/309
D728,988 S *	5/2015	Warburton	D7/306
D755,000 S *	5/2016	Lovati	D7/306
D762,412 S *	8/2016	Kestenbaum	D7/392
D763,613 S *	8/2016	Han	D7/306
D763,614 S *	8/2016	Han	D7/306
D783,347 S *	4/2017	Kestenbaum	D7/397
D788,509 S *	6/2017	Wei	D7/305
D795,631 S *	8/2017	Armstrong	D7/326
D800,497 S *	10/2017	Fedorak	D7/397
D811,163 S *	2/2018	Kestenbaum	D7/399
D812,952 S *	3/2018	Fedorak	D7/306

* cited by examiner

- (80) **Hague Agreement Data**
- Int. Filing Date: **Jun. 12, 2016**
- Int. Reg. No.: **DM/091029**
- Int. Reg. Date: **Jun. 12, 2016**
- Int. Reg. Pub. Date: **Dec. 16, 2016**

Primary Examiner — Richard E Chilcot

- (51) **LOC (11) Cl.** **07-02**
- (52) **U.S. Cl.**
- USPC **D7/306**
- CPC **A47J 31/44 (2013.01)**
- (58) **Field of Classification Search**
- USPC D7/305-313; D15/82; 222/129.1, 146.6
- CPC A47J 31/44; A47J 31/4403; A47J 31/46;
A47J 31/4482; A47J 31/369; A47J
31/407; A47J 31/10; A47J 31/467; A47J
31/0615; B67D 1/36; B67D 2210/0065;
B67D 1/0864; B67D 3/0061
- See application file for complete search history.

(57) **CLAIM**

The ornamental design for a coffee maker, as shown and described.

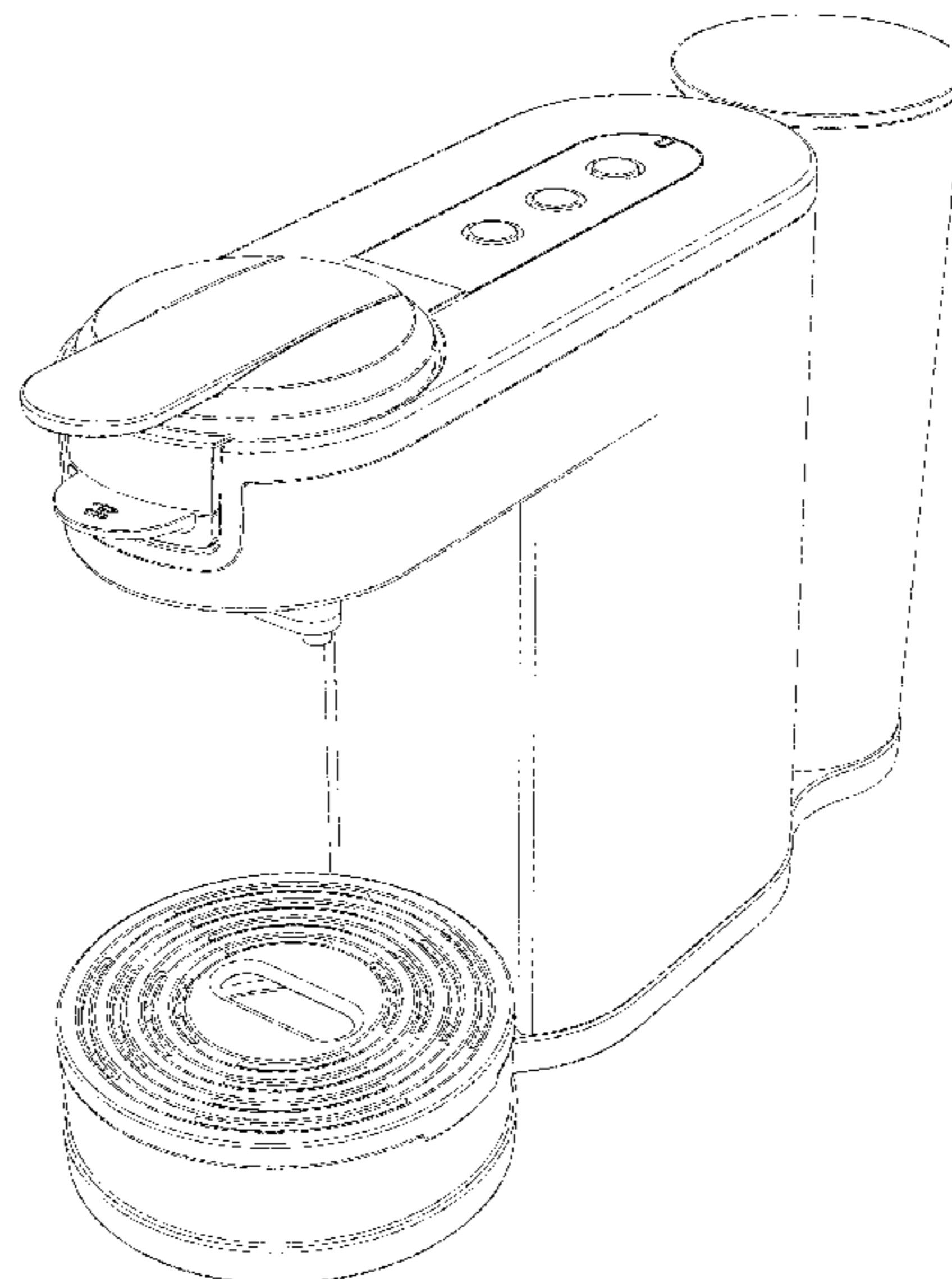
- (56) **References Cited**
- U.S. PATENT DOCUMENTS

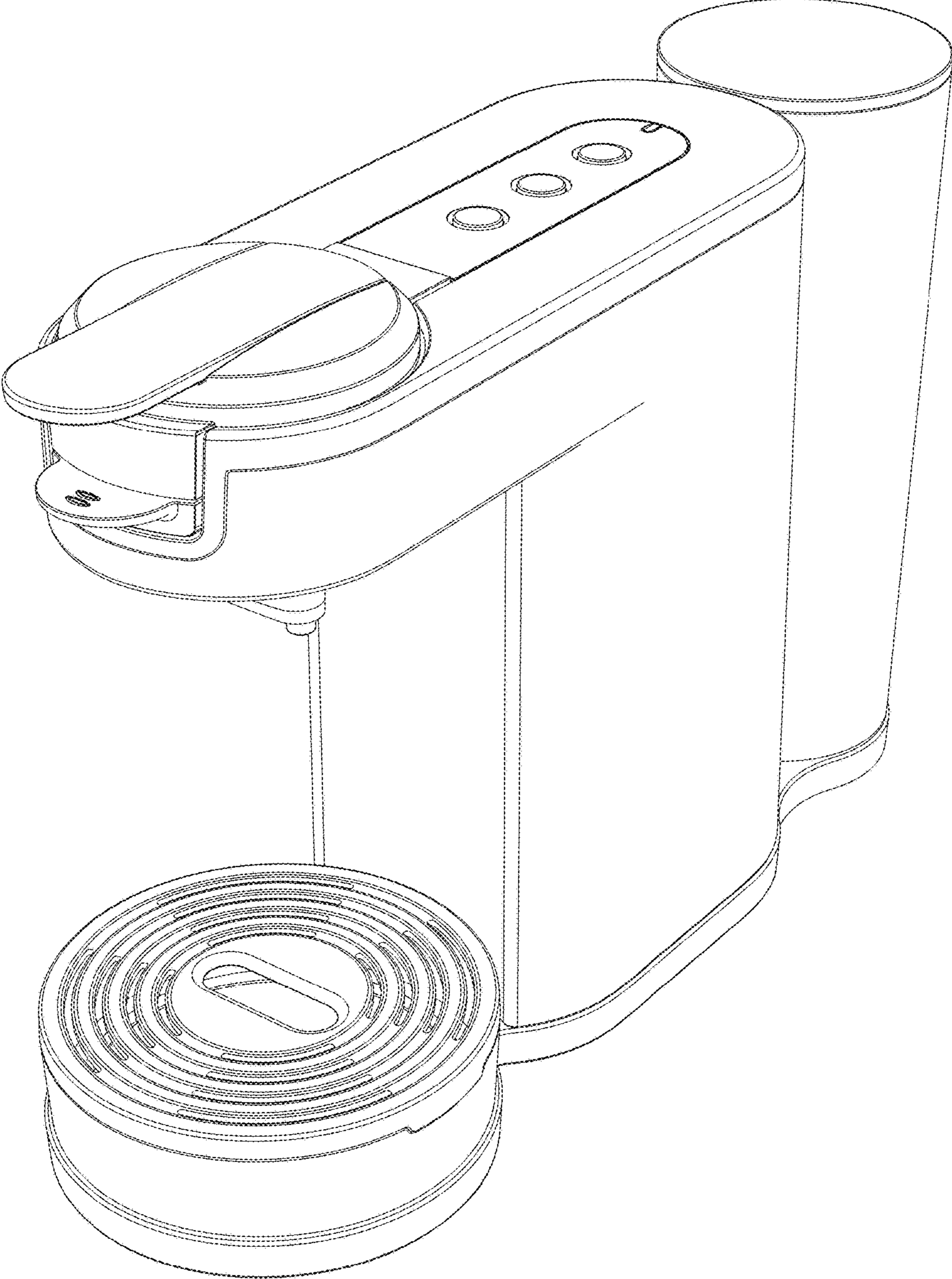
DESCRIPTION

- 1. Coffee maker
- 1.1 is a perspective view showing the coffee maker of our design;
- 1.2 is a front elevational view thereof;
- 1.3 is a rear elevational view thereof;
- 1.4 is a right side elevational view thereof;
- 1.5 is a left side elevational view thereof;
- 1.6 is a top plan view thereof; and
- 1.7 is a bottom plan view thereof.

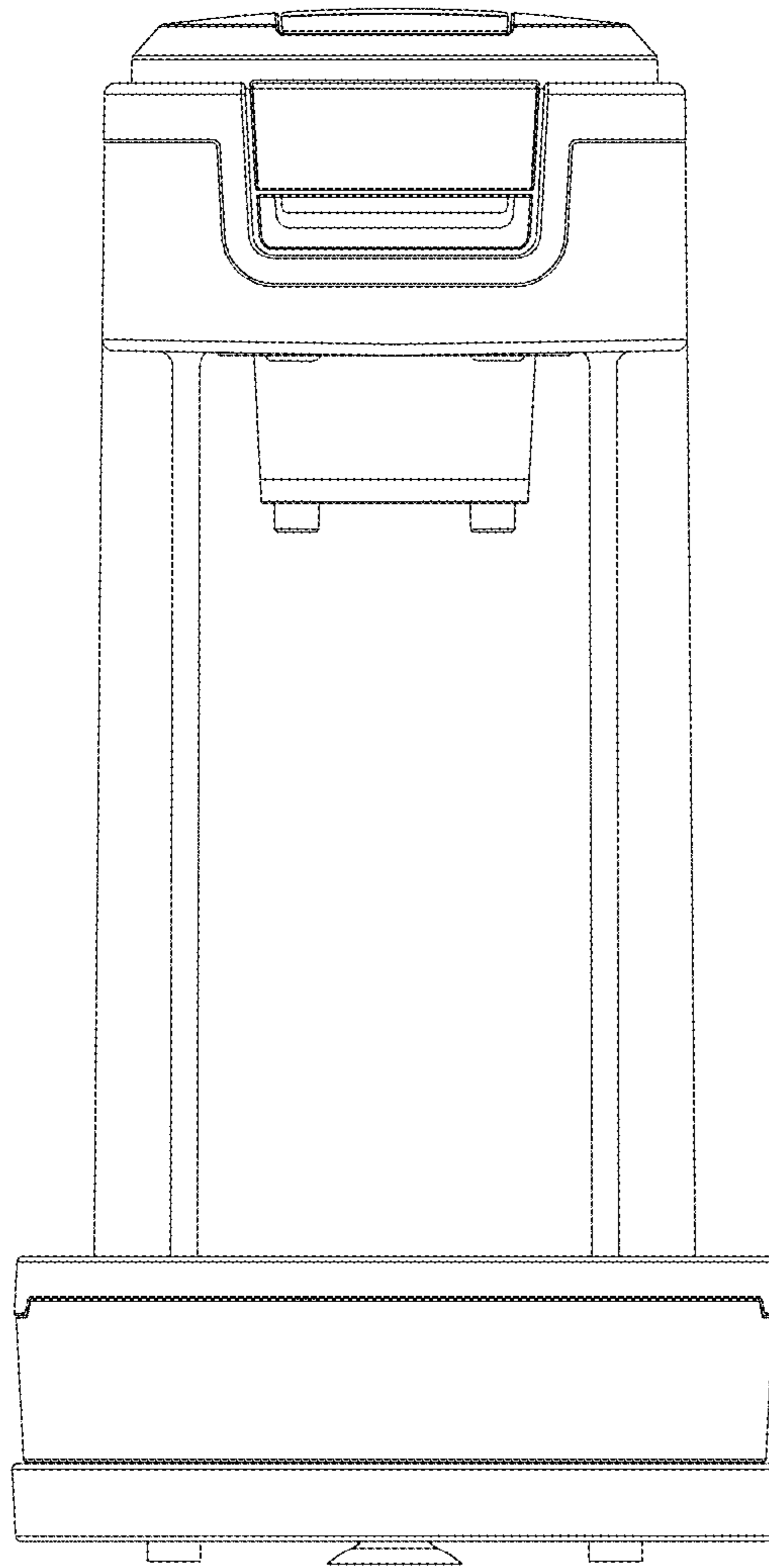
D489,216 S *	5/2004	Stoner	D7/309
D497,278 S *	10/2004	Picozza	D7/309

1 Claim, 7 Drawing Sheets

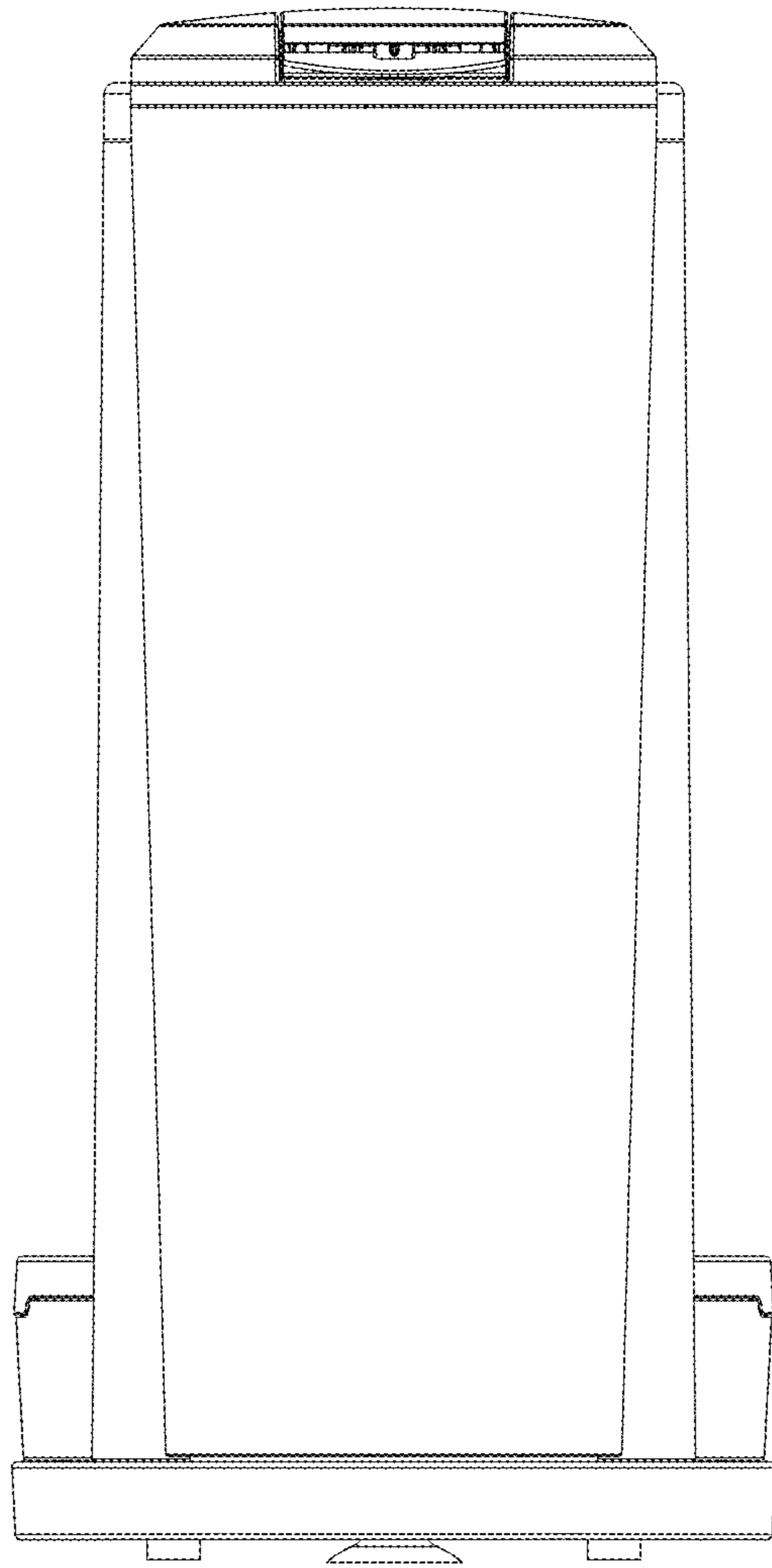




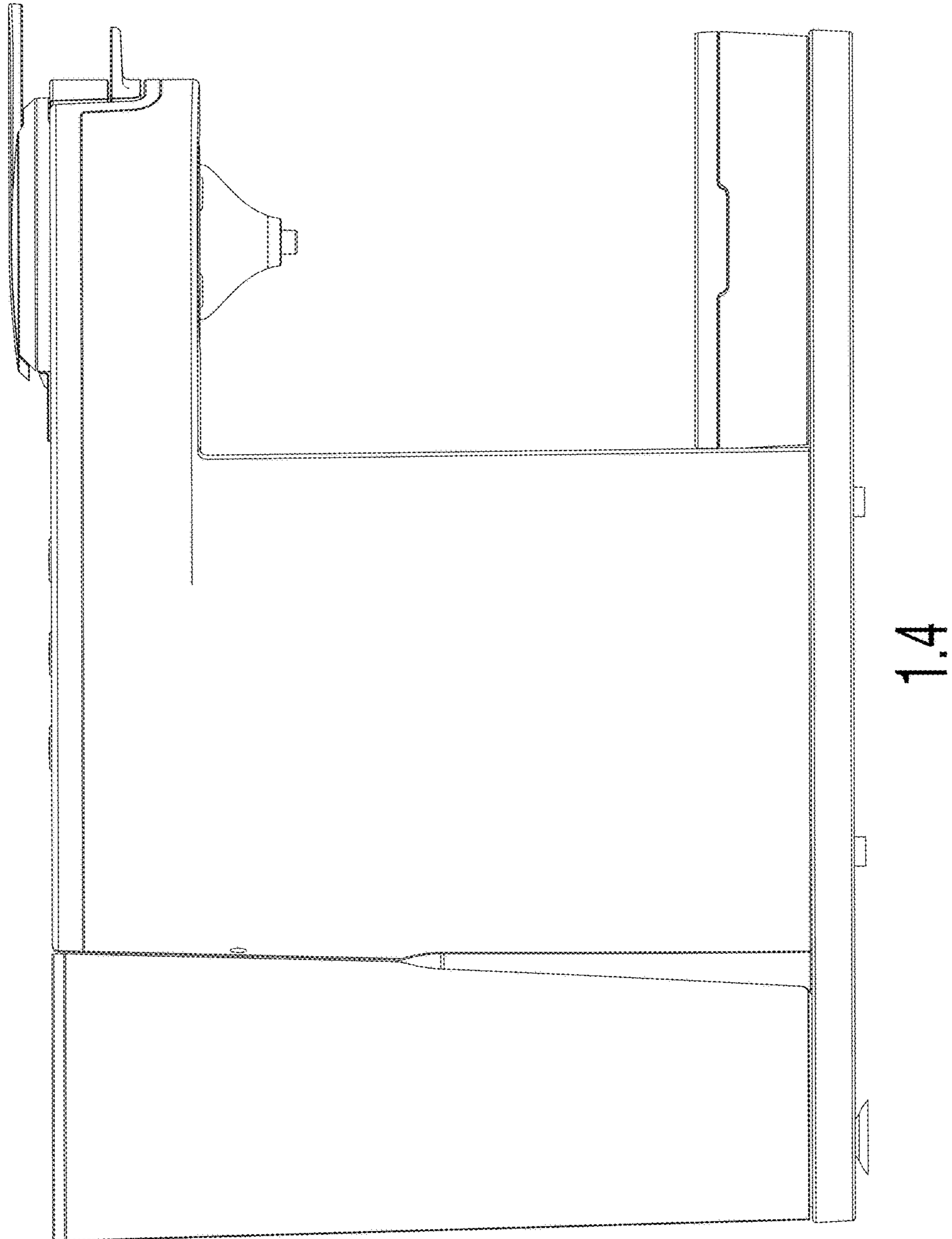
1.1

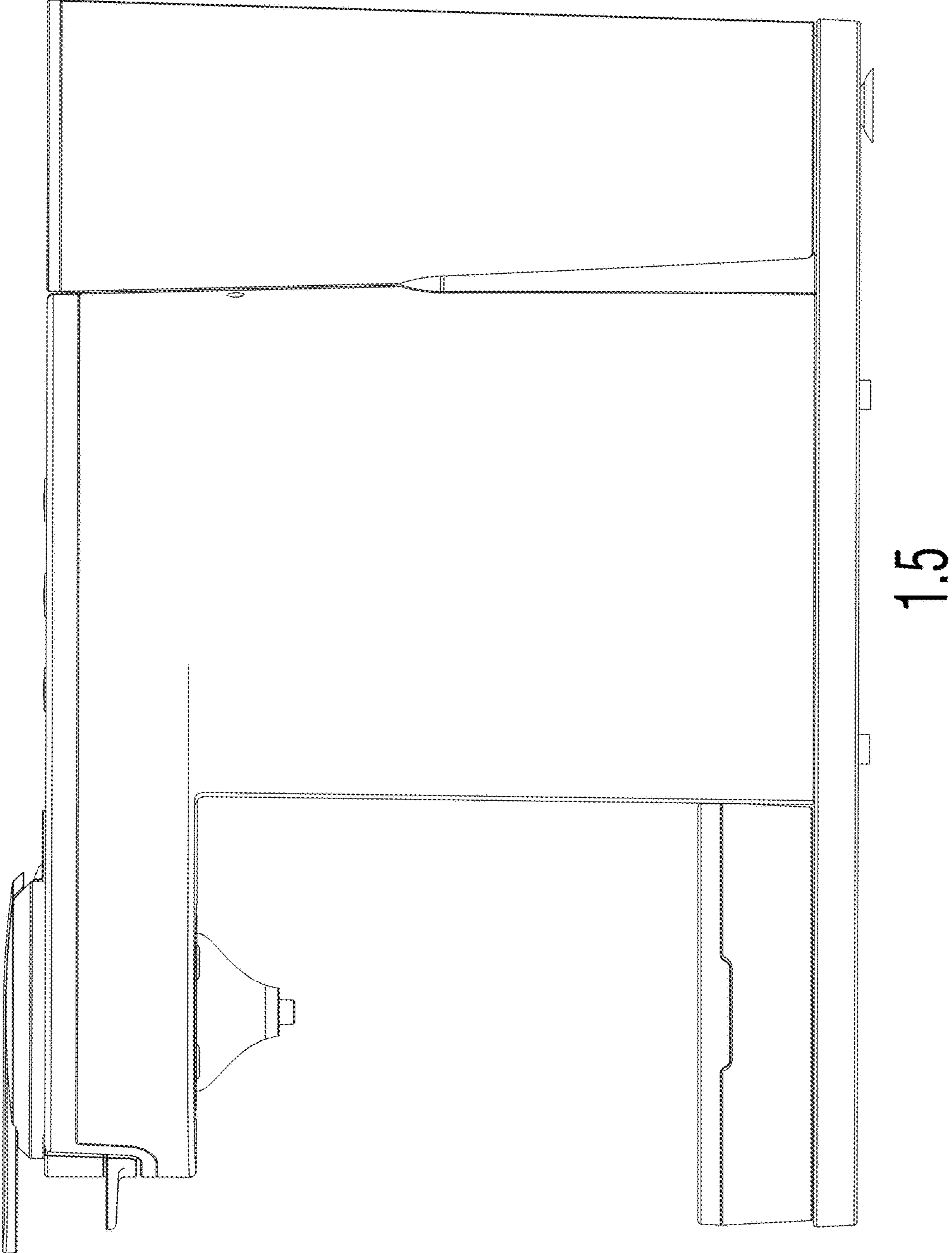


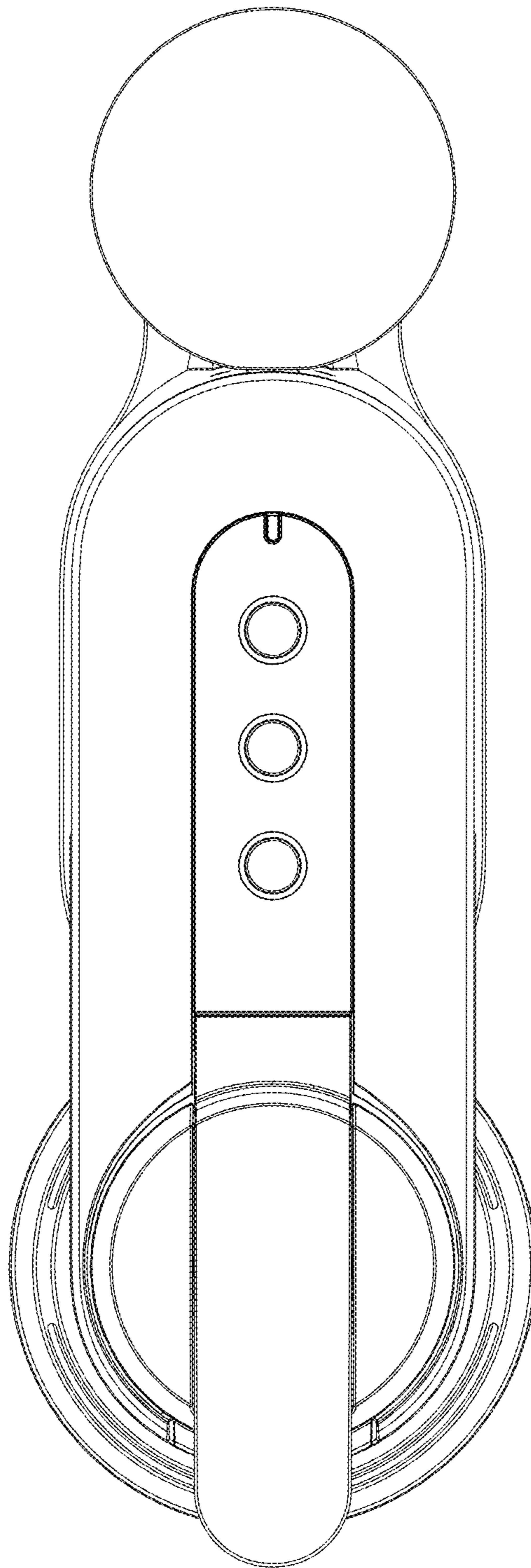
1.2



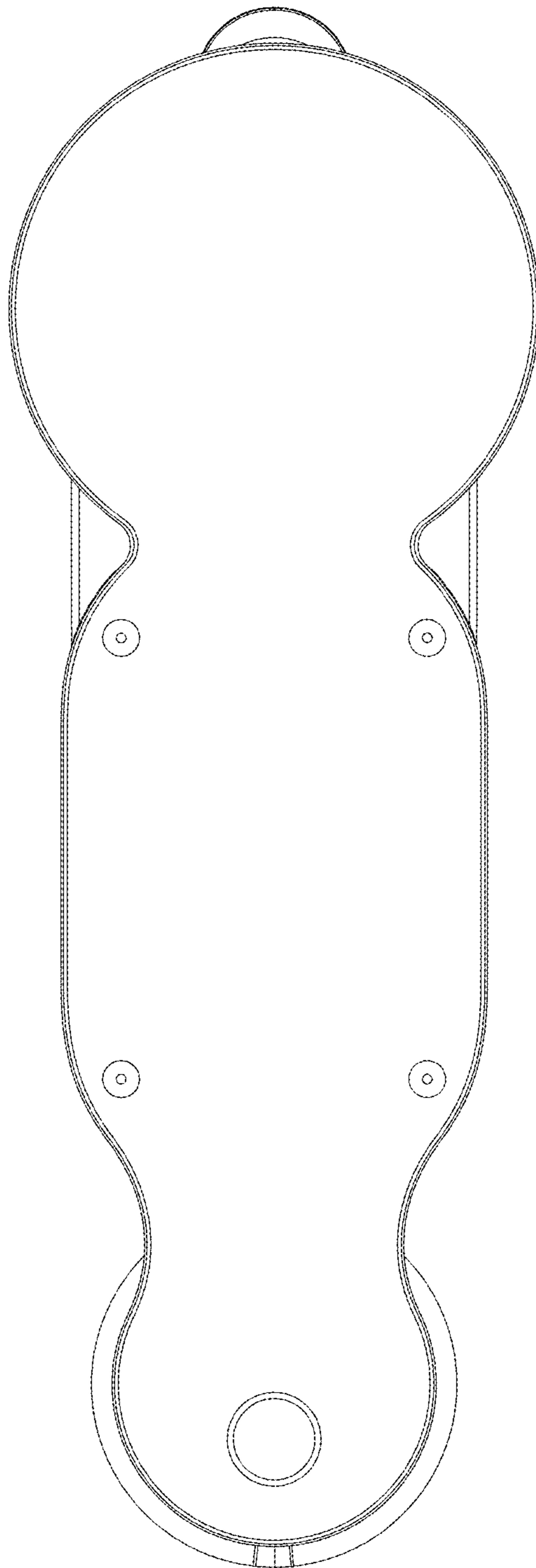
1.3







1.6



1.7