



US00D841382S

(12) **United States Design Patent** (10) **Patent No.:** **US D841,382 S**  
**Broen et al.** (45) **Date of Patent:** **\*\* Feb. 26, 2019**

(54) **DISPENSER**  
(71) Applicant: **PepsiCo, Inc.**, Purchase, NY (US)  
(72) Inventors: **Martin Eduardo Broen**, New York, NY (US); **Stephen Lim**, Chappaqua, NY (US); **Christian Stolarz**, Brooklyn, NY (US); **Martin Ivar Franzen**, Milan (IT)

D229,221 S 11/1973 Adamson  
D230,882 S 3/1974 Winsett  
D235,816 S 7/1975 Hall  
D256,124 S 7/1980 Adamson et al.  
D259,790 S 7/1981 Hentschel  
D290,330 S 6/1987 Lagace  
D297,697 S \* 9/1988 Fossella ..... D7/309  
D309,395 S 7/1990 Thompson et al.  
(Continued)

(73) Assignee: **PepsiCo, Inc.**, Purchase, NY (US)  
(\*\*) Term: **15 Years**

FOREIGN PATENT DOCUMENTS  
EM 001914862-000 8/2013  
JP 1197475 2/2004  
(Continued)

(21) Appl. No.: **29/587,477**  
(22) Filed: **Dec. 13, 2016**  
(51) **LOC (11) Cl.** ..... **07-01**  
(52) **U.S. Cl.**  
USPC ..... **D7/306**; D7/397; D7/311  
(58) **Field of Classification Search**  
USPC ..... D7/300, 309-311, 306-308, 305, 397,  
D7/355, 362, 365, 367; 222/146.6, 185.1,  
222/135; 99/295, 273, 304, 288, 279,  
99/307, 283  
CPC . B67D 1/06; A47J 31/407; A47J 31/50; A47J  
31/18; A47J 31/00; A47J 27/04; A47J  
31/0573; A47J 31/52; A47J 31/0642;  
A47J 31/3628; A47J 31/4407  
See application file for complete search history.

OTHER PUBLICATIONS

U.S. Appl. No. 29/539,850, filed Sep. 17, 2015.

*Primary Examiner* — Marianne N Pandozzi  
(74) *Attorney, Agent, or Firm* — Sterne, Kessler,  
Goldstein & Fox P.L.L.C.

(57) **CLAIM**

The ornamental design for a dispenser, as shown and described.

**DESCRIPTION**

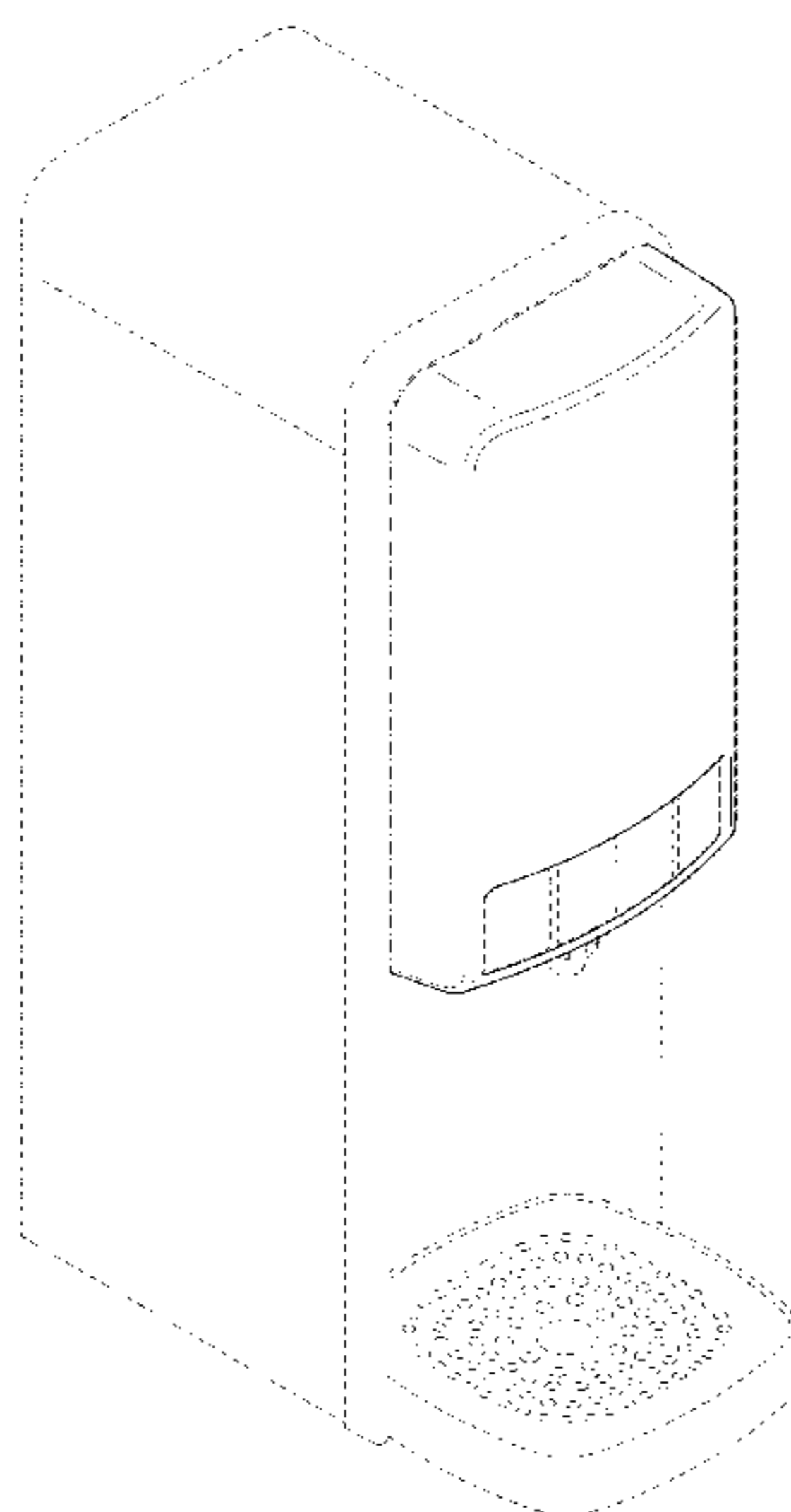
FIG. 1 is a top front perspective view of a dispenser showing the claimed design;  
FIG. 2 is a front view thereof;  
FIG. 3 is a rear view thereof;  
FIG. 4 is a left side view thereof;  
FIG. 5 is a right side view thereof;  
FIG. 6 is a top view thereof; and,  
FIG. 7 is a bottom view thereof.  
The dashed broken lines in the figures show portions of the dispenser that form no part of the claimed design.  
The dot-dash broken lines in the figures show boundaries that form no part of the claimed design.

(56) **References Cited**

U.S. PATENT DOCUMENTS

D43,666 S 3/1913 Branning  
D121,005 S 6/1940 Wright  
D151,386 S 10/1948 Nissen  
D151,952 S 12/1948 Babcock  
D153,541 S 4/1949 Otto  
D183,532 S \* 9/1958 McCauley ..... D7/311  
D185,148 S 5/1959 Hebel  
D202,688 S 11/1965 Cornelius et al.  
D206,519 S \* 12/1966 Wolfe ..... D7/308

**1 Claim, 7 Drawing Sheets**



(56)

References Cited

U.S. PATENT DOCUMENTS

D310,612 S 9/1990 Desrosiers  
 D311,297 S \* 10/1990 Van Camp ..... D7/308  
 D322,535 S \* 12/1991 Van Camp ..... D7/308  
 D323,875 S 2/1992 Kang et al.  
 D330,983 S 11/1992 De Moss  
 D332,200 S 1/1993 Credle, Jr.  
 D356,342 S 3/1995 Reese et al.  
 D359,649 S 6/1995 Salkeld et al.  
 D360,801 S 8/1995 Shub  
 D365,962 S 1/1996 Amundsen et al.  
 D367,797 S 3/1996 Hauser, II et al.  
 D379,285 S \* 5/1997 Evers ..... D7/307  
 D382,761 S \* 8/1997 Ford ..... D7/307  
 D385,457 S 10/1997 Sellers  
 D387,809 S 12/1997 Reese et al.  
 D398,183 S 9/1998 De Felip  
 D404,242 S 1/1999 Schroeder  
 5,855,162 A \* 1/1999 Bauer ..... A47J 31/4485  
 222/566  
 D408,207 S 4/1999 Bourke  
 D418,001 S 12/1999 van der Veen  
 D418,365 S \* 1/2000 Ford ..... D7/308  
 D421,629 S 3/2000 Sakata  
 D424,361 S 5/2000 Kuboyama  
 D431,145 S 9/2000 Woebcke et al.  
 D440,255 S 4/2001 Dickson  
 D444,986 S 7/2001 Smith et al.  
 D453,088 S \* 1/2002 Bell ..... D7/307  
 D456,663 S 5/2002 Chew  
 D467,764 S 12/2002 Harrison et al.  
 D473,745 S 4/2003 Mulle et al.  
 D474,366 S 5/2003 Hodges et al.  
 D477,175 S 7/2003 Smith  
 D482,227 S 11/2003 Walton  
 D486,346 S 2/2004 Jonsson  
 D498,637 S 11/2004 Heilstedt et al.  
 D499,145 S 11/2004 Yao  
 D500,625 S 1/2005 Hellenberg et al.  
 D505,822 S 6/2005 De Gooijer  
 D510,675 S \* 10/2005 Ball ..... D7/306  
 D514,864 S 2/2006 Birdsell et al.  
 D514,867 S 2/2006 Steiner  
 D526,523 S 8/2006 Steiner et al.  
 D527,567 S 9/2006 Nakato et al.  
 D531,855 S 11/2006 Steiner et al.  
 D533,007 S 12/2006 Felty  
 D544,919 S 6/2007 Roekens et al.  
 D544,920 S 6/2007 Roekens et al.  
 D554,930 S 11/2007 Lavy  
 D555,414 S 11/2007 Lin  
 D555,968 S 11/2007 Pfeifer et al.  
 D557,547 S 12/2007 Knoell et al.  
 D564,279 S 3/2008 Hodges  
 D570,149 S 6/2008 Truong  
 D570,636 S 6/2008 Kulujian et al.  
 D572,965 S 7/2008 Steiner  
 D582,194 S 12/2008 Wang  
 D583,608 S 12/2008 Kato  
 D585,690 S 2/2009 Dammkoehler

D597,605 S 8/2009 Davis  
 D600,060 S 9/2009 Fletcher et al.  
 D600,490 S 9/2009 Pino et al.  
 D600,491 S 9/2009 Hammad et al.  
 D601,380 S 10/2009 Jones et al.  
 D604,087 S \* 11/2009 Lavy ..... D7/309  
 D608,129 S 1/2010 Spear et al.  
 D608,130 S 1/2010 Moon et al.  
 D617,132 S 6/2010 Wang  
 D618,031 S 6/2010 Mansour  
 D620,511 S 7/2010 Publ et al.  
 D623,885 S 9/2010 Wang  
 D624,778 S 10/2010 Meldrum et al.  
 D627,187 S 11/2010 Voron et al.  
 D630,471 S 1/2011 Wang  
 D635,812 S 4/2011 Wang  
 D638,476 S 5/2011 Hoffman et al.  
 D638,513 S 5/2011 Choi  
 D640,891 S 7/2011 Smith  
 D642,851 S 8/2011 Yui  
 D643,240 S 8/2011 Yui  
 D643,666 S 8/2011 Yui  
 D643,667 S 8/2011 Yui  
 D643,668 S 8/2011 Yui  
 8,006,866 B2 8/2011 Minard et al.  
 D644,712 S 9/2011 Seo et al.  
 D646,105 S 10/2011 Deo et al.  
 D646,269 S 10/2011 Crick, Jr. et al.  
 D649,393 S \* 11/2011 Cohlmlia ..... D7/307  
 D661,159 S \* 6/2012 Curtis ..... D7/397  
 D682,597 S 5/2013 Bingul et al.  
 D683,173 S 5/2013 Liang  
 D691,205 S 10/2013 d'Amore et al.  
 D693,404 S 11/2013 d'Amore et al.  
 D693,407 S 11/2013 d'Amore et al.  
 D696,349 S 12/2013 d'Amore et al.  
 D698,391 S 1/2014 d'Amore et al.  
 D701,412 S 3/2014 Broen et al.  
 D703,476 S \* 4/2014 Behar ..... D7/306  
 D704,492 S 5/2014 Broen et al.  
 D710,643 S 8/2014 Broen et al.  
 D716,093 S 10/2014 Jakeman et al.  
 D724,883 S \* 3/2015 Lamb ..... D7/306  
 D731,839 S \* 6/2015 Tomasson ..... D7/306  
 D731,840 S \* 6/2015 Cha ..... D7/306  
 D773,876 S \* 12/2016 Harris, III ..... D7/307  
 D775,887 S \* 1/2017 Atkin ..... D7/306  
 D776,970 S \* 1/2017 Broen ..... D7/307  
 D789,133 S \* 6/2017 Gnadinger ..... D7/307  
 9,767,635 B2 \* 9/2017 Yuyama ..... B65B 43/46  
 D799,880 S \* 10/2017 Broen ..... D7/307  
 2002/0148858 A1 \* 10/2002 Bertone ..... A47J 31/401  
 222/129.4  
 2003/0232115 A1 \* 12/2003 Eckenhausen ..... A47J 31/4485  
 426/477  
 2017/0164781 A1 \* 6/2017 De'Longhi ..... A47J 31/4489

FOREIGN PATENT DOCUMENTS

KR 30-0722649 12/2013  
 NO 083336 2/2012

\* cited by examiner

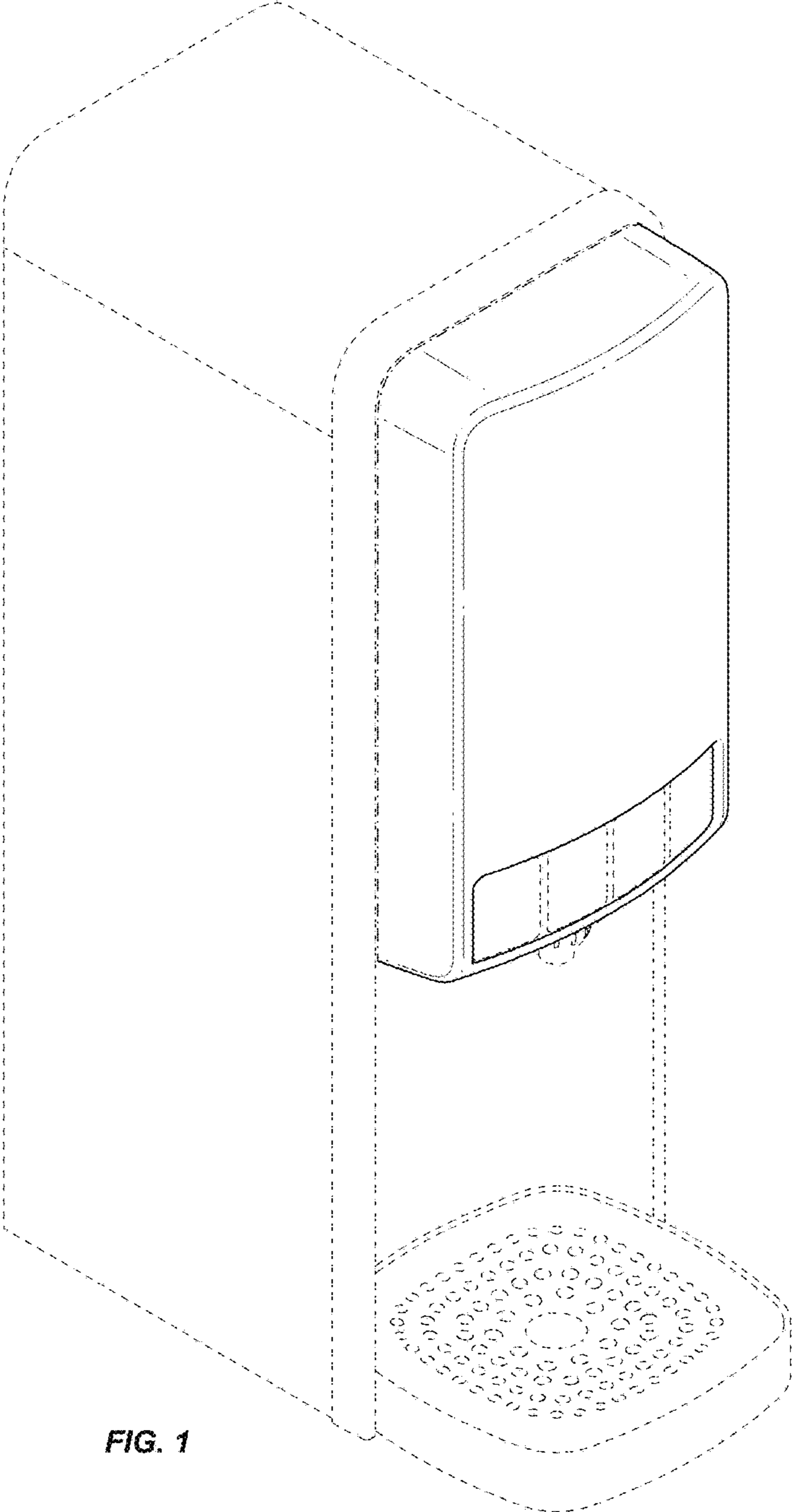


FIG. 1

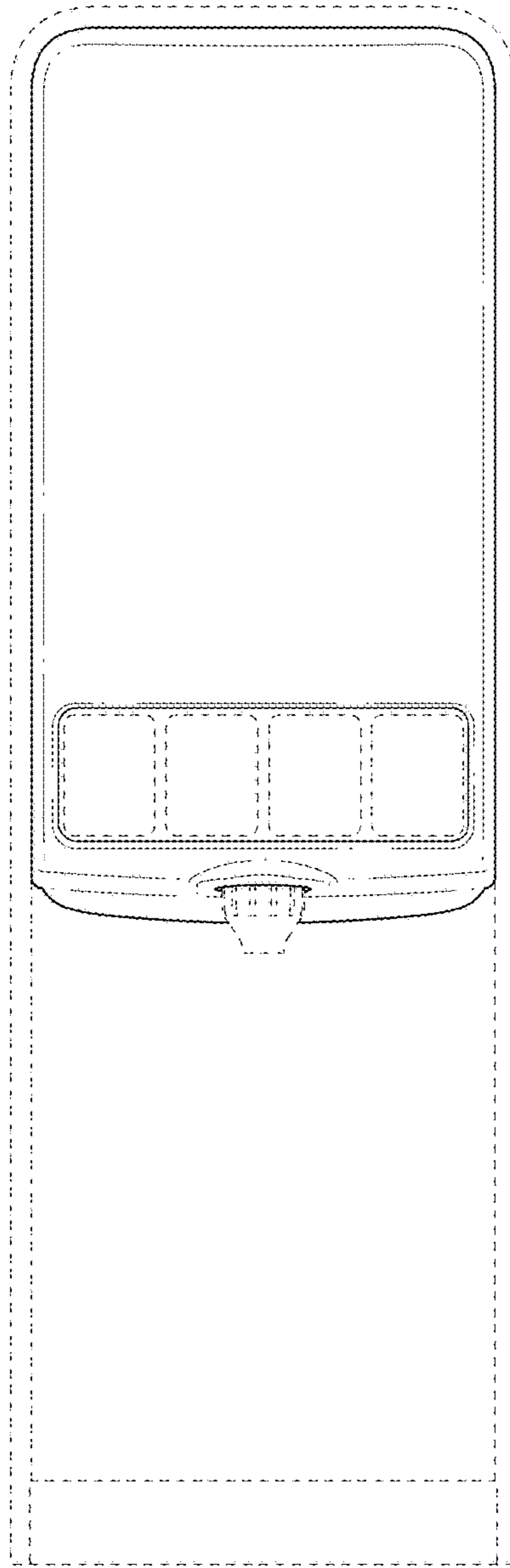


FIG. 2



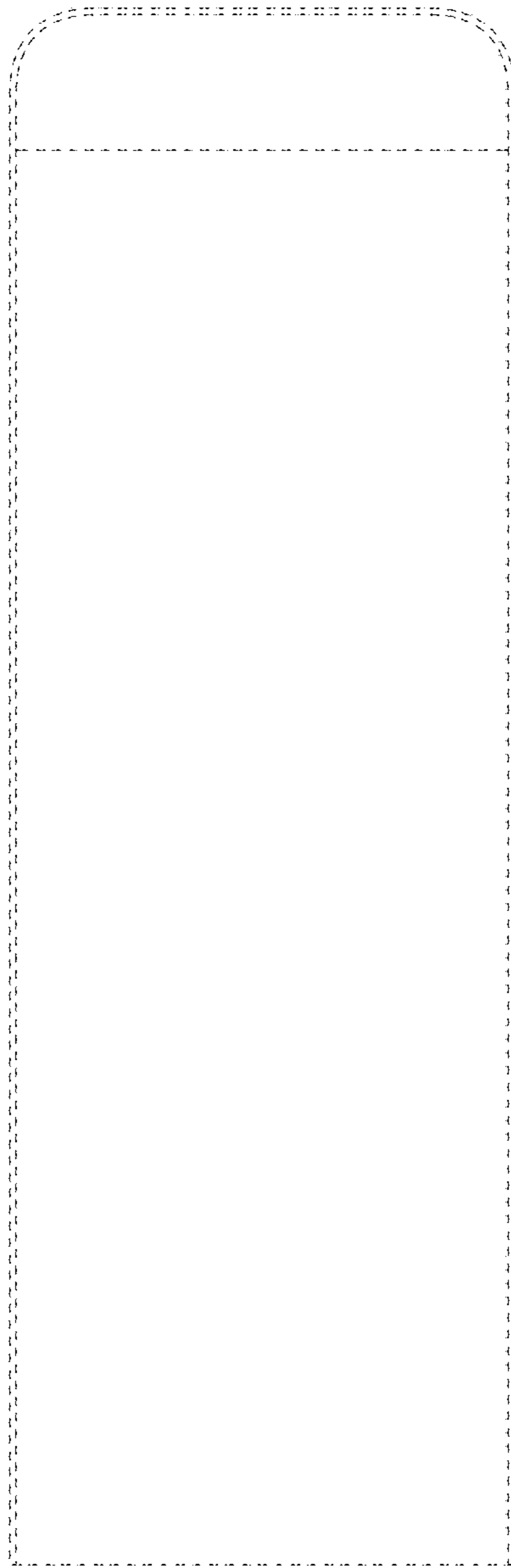


FIG. 3

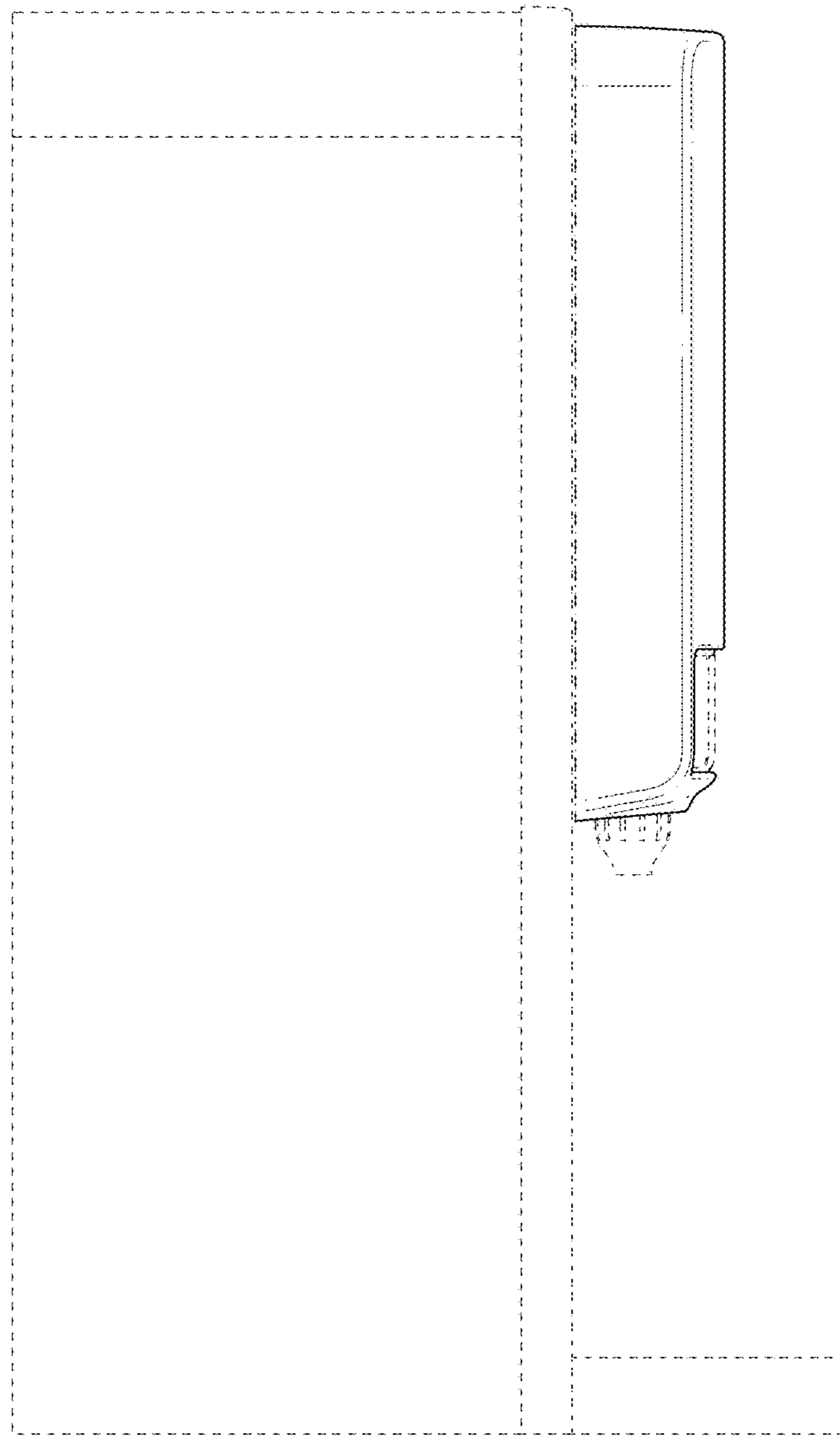


FIG. 4

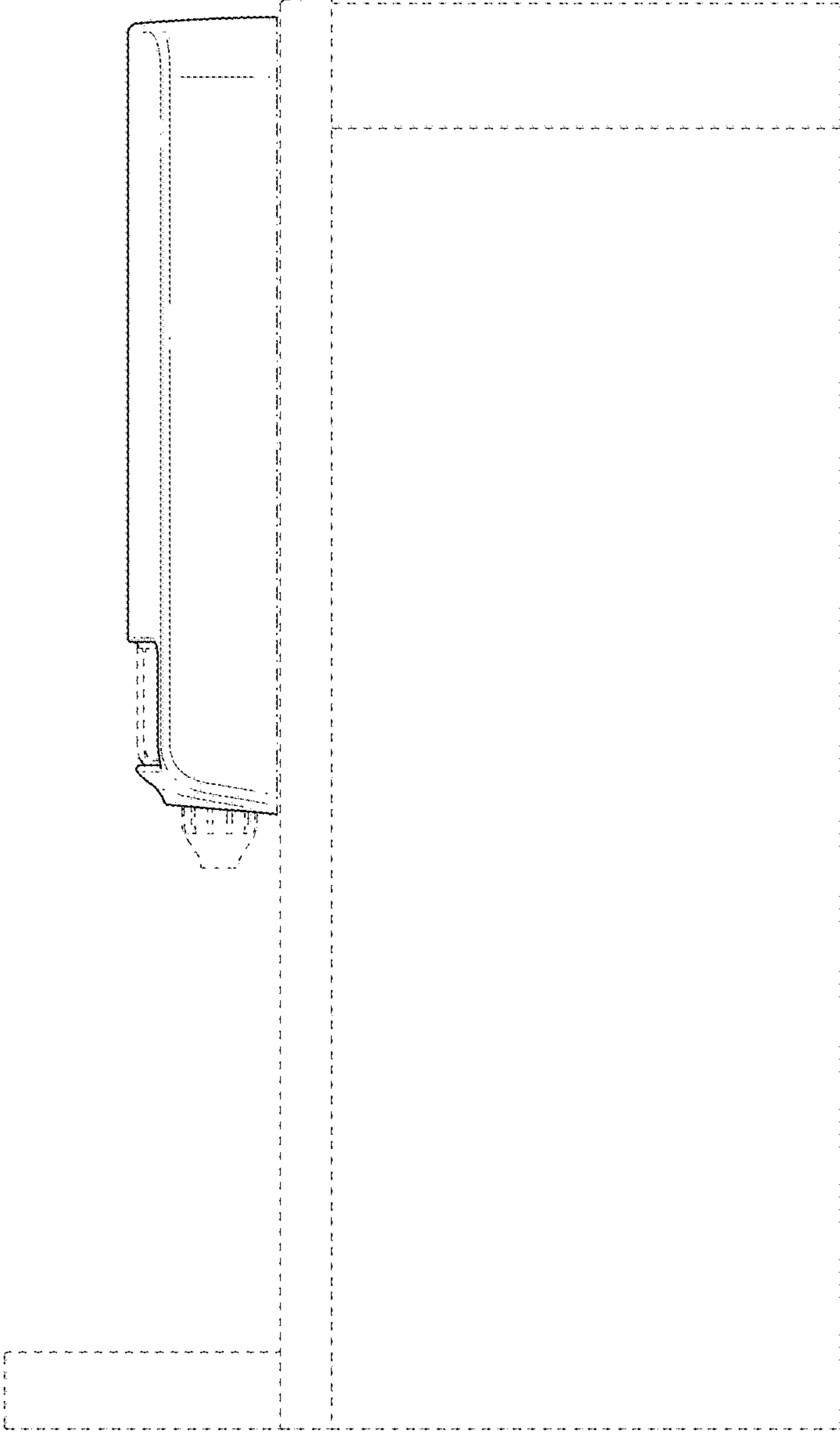


FIG. 5

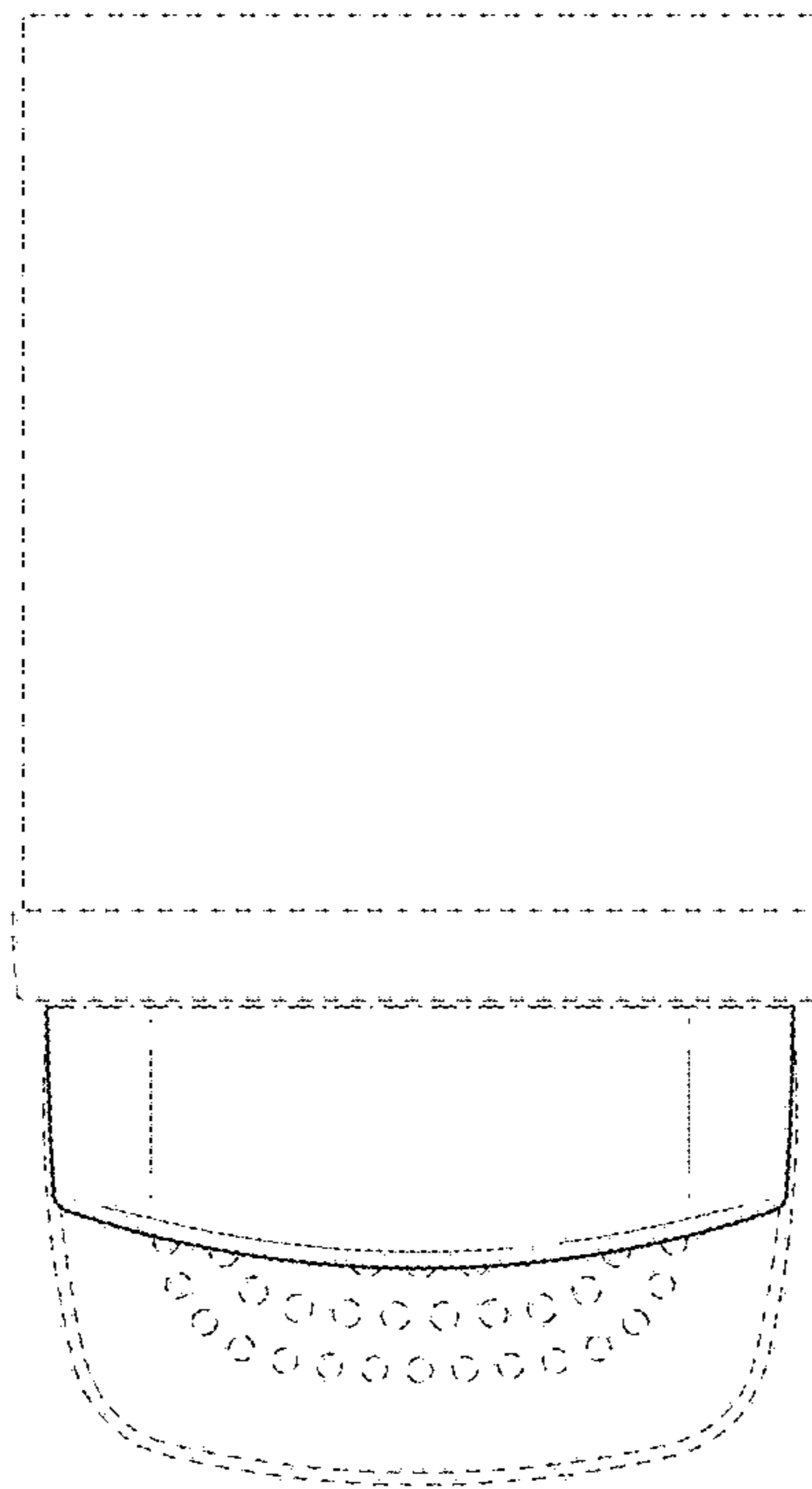


FIG. 6



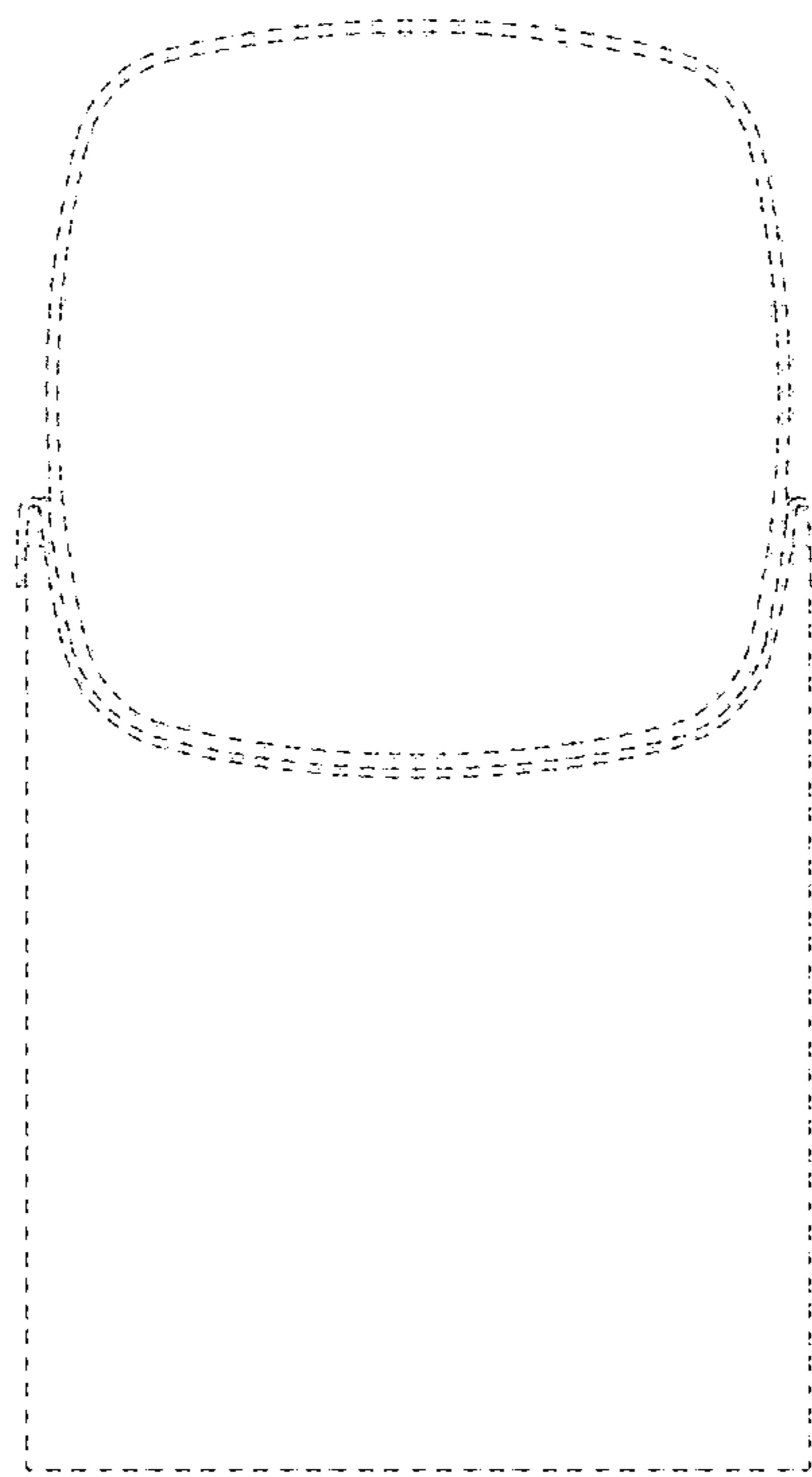


FIG. 7