



US00D841380S

(12) **United States Design Patent** (10) **Patent No.:** **US D841,380 S**  
**Zaccai et al.** (45) **Date of Patent:** **\*\* Feb. 26, 2019**

(54) **WORKSURFACE**

(71) Applicant: **HERMAN MILLER, INC.**, Zeeland, MI (US)

(72) Inventors: **Gianfranco Zaccai**, Needham, MA (US); **Mark Bates**, Westwood, MA (US); **Alex Broerman**, Cambridge, MA (US); **John Costello**, Wellesley, MA (US)

(73) Assignee: **Herman Miller, Inc.**, Zeeland, MI (US)

(\*\*) Term: **15 Years**

(21) Appl. No.: **29/646,514**

(22) Filed: **May 4, 2018**

**Related U.S. Application Data**

(62) Division of application No. 29/540,575, filed on Sep. 25, 2015, now Pat. No. Des. 819,375.

(51) **LOC (11) Cl.** ..... **06-06**

(52) **U.S. Cl.**  
USPC ..... **D6/707.22**

(58) **Field of Classification Search**  
USPC ... D6/685, 688, 688.24, 692, 693, 696, 697, D6/698, 707, 693.1, 693.2, 693.3, 694, D6/697.1, 697.2, 707.21, 707.2, 707.22  
(Continued)

(56) **References Cited**

**U.S. PATENT DOCUMENTS**

D166,360 S \* 4/1952 Shinn et al. .... D6/690  
D202,046 S \* 8/1965 Zierhut et al. .... 108/120  
(Continued)

*Primary Examiner* — John Windmuller  
*Assistant Examiner* — Steven J Czyz

(74) *Attorney, Agent, or Firm* — Michael Best & Friedrich LLP

(57) **CLAIM**

We claim the ornamental design for a worksurface, as shown and described.

**DESCRIPTION**

FIG. 1 is a perspective view of a worksurface according to the first embodiment.

FIG. 2 is a top view of the worksurface shown in FIG. 1.

FIG. 3 is a bottom view of the worksurface shown in FIG. 1.

FIG. 4 is a side view of the worksurface shown in FIG. 1, with an opposite side view being a mirror image thereof.

FIG. 5 is an end view of the worksurface shown in FIG. 1, with an opposite end view being the same.

FIG. 6 is a perspective view of a worksurface according to the second embodiment.

FIG. 7 is a top view of the worksurface shown in FIG. 6.

FIG. 8 is a bottom view of the worksurface shown in FIG. 6.

FIG. 9 is a side view of the worksurface shown in FIG. 6, with an opposite side view being a mirror image thereof.

FIG. 10 is an end view of the worksurface shown in FIG. 6, with an opposite end view being the same.

FIG. 11 is a perspective view of a worksurface according to the third embodiment.

FIG. 12 is a top view of the worksurface shown in FIG. 11.

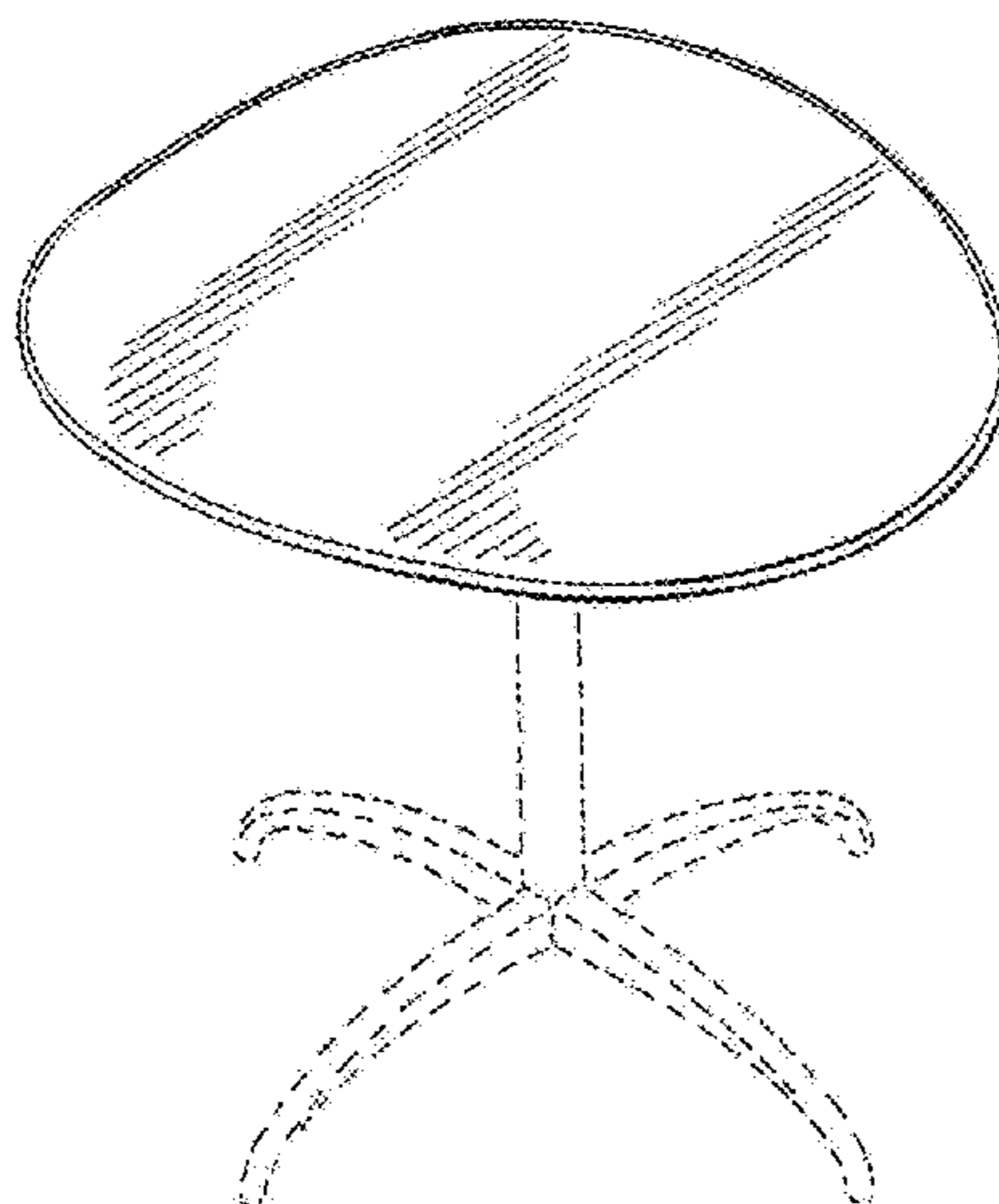
FIG. 13 is a bottom view of the worksurface shown in FIG. 11.

FIG. 14 is a side view of the worksurface shown in FIG. 11, with an opposite side view being a mirror image thereof; and,

FIG. 15 is an end view of the worksurface shown in FIG. 11, with an opposite end view being the same.

The broken lines depict portions of the article that form no part of the claimed design.

**1 Claim, 6 Drawing Sheets**



(58) **Field of Classification Search**

CPC ..... A47B 13/10; A47B 1/02; A47B 3/083;  
 A47B 2200/0001; A47B 13/02; A47B  
 13/06; A47B 13/021; A47B 2009/006  
 See application file for complete search history.

(56) **References Cited**

U.S. PATENT DOCUMENTS

D260,529 S \* 9/1981 Pearse ..... 84/322  
 D275,340 S \* 9/1984 Dunbar ..... D6/696.1  
 D339,487 S \* 9/1993 Rizzi ..... D6/696.1  
 D352,409 S \* 11/1994 Hosoe ..... D6/650  
 D389,674 S \* 1/1998 Muller ..... D6/693.2  
 D401,086 S \* 11/1998 Hellwig ..... D6/650  
 D401,087 S \* 11/1998 Hellwig ..... D6/696  
 D413,212 S \* 8/1999 Dame ..... D6/650  
 D414,634 S \* 10/1999 Smith ..... D6/707.22  
 D419,798 S \* 2/2000 Schacht ..... D6/692  
 D424,772 S \* 5/2000 Mullen ..... D34/12

D443,441 S \* 6/2001 Brown ..... D6/650  
 D447,655 S \* 9/2001 Petri ..... D6/707.22  
 D463,167 S \* 9/2002 Goodworth ..... D6/696.1  
 D470,345 S \* 2/2003 Muller ..... D6/696.7  
 D492,858 S \* 7/2004 Georgopoulos ..... D6/688  
 D495,542 S \* 9/2004 Lipsztein ..... D6/707.22  
 D534,386 S \* 1/2007 Warriner ..... D6/707.22  
 D541,084 S \* 4/2007 Korber ..... D6/644  
 D543,384 S \* 5/2007 Resterhouse ..... D6/693.1  
 D548,471 S \* 8/2007 Ford ..... A47B 83/02  
 D6/337  
 D550,486 S \* 9/2007 Palmquist ..... D6/707.22  
 D565,876 S \* 4/2008 Potente ..... D6/707.22  
 D588,671 S \* 3/2009 Ball ..... D21/802  
 D592,429 S \* 5/2009 Lovegrove ..... D6/696.3  
 D646,916 S \* 10/2011 Barrett ..... D6/707.22  
 D819,375 S \* 6/2018 Zaccai ..... D6/696  
 2008/0241814 A1 10/2008 Seidl  
 2010/0277043 A1 11/2010 Bloch et al.  
 2012/0260788 A1 10/2012 Leneman  
 2014/0007799 A1 1/2014 Nasser et al.

\* cited by examiner

FIG. 1

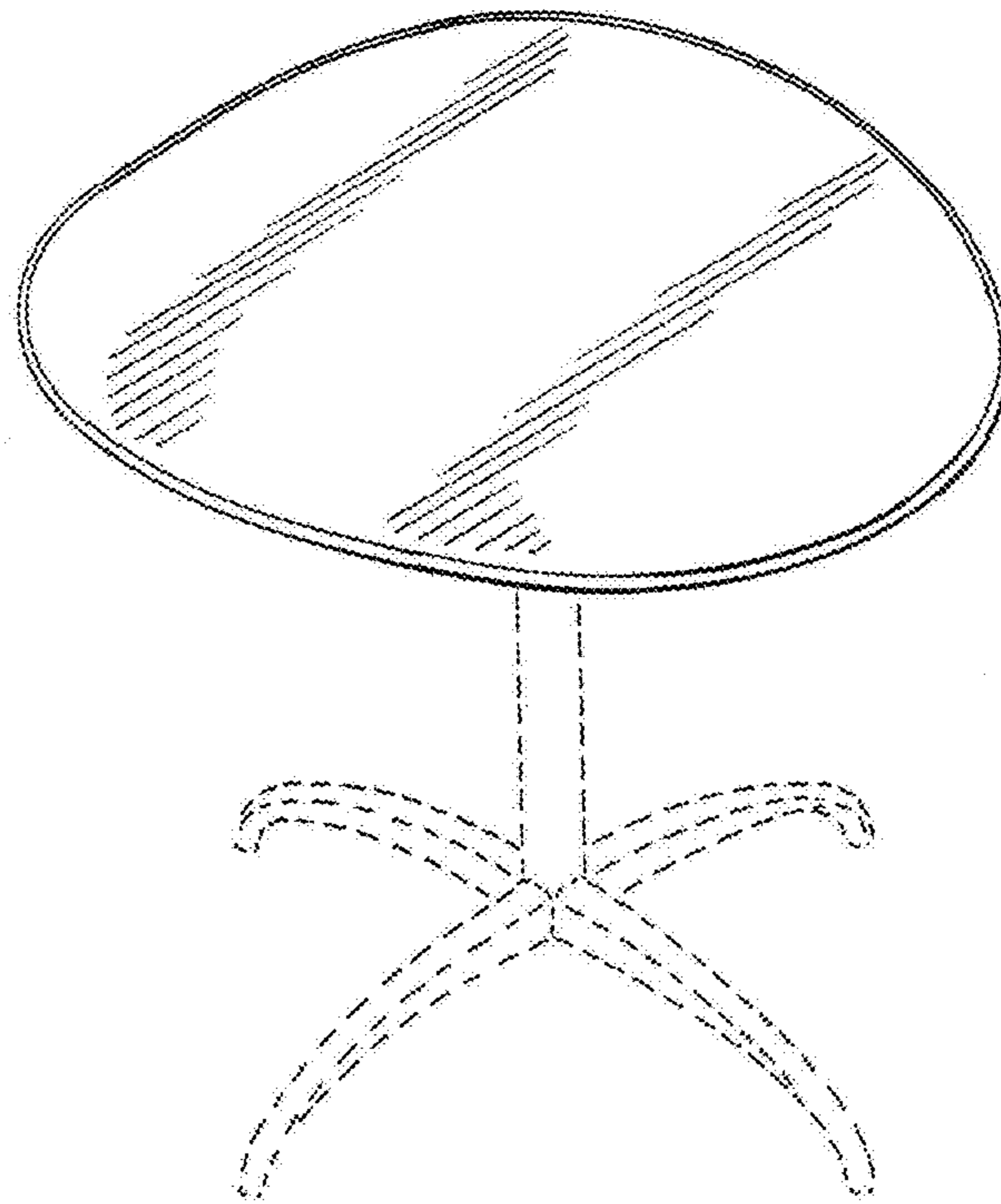


FIG. 2

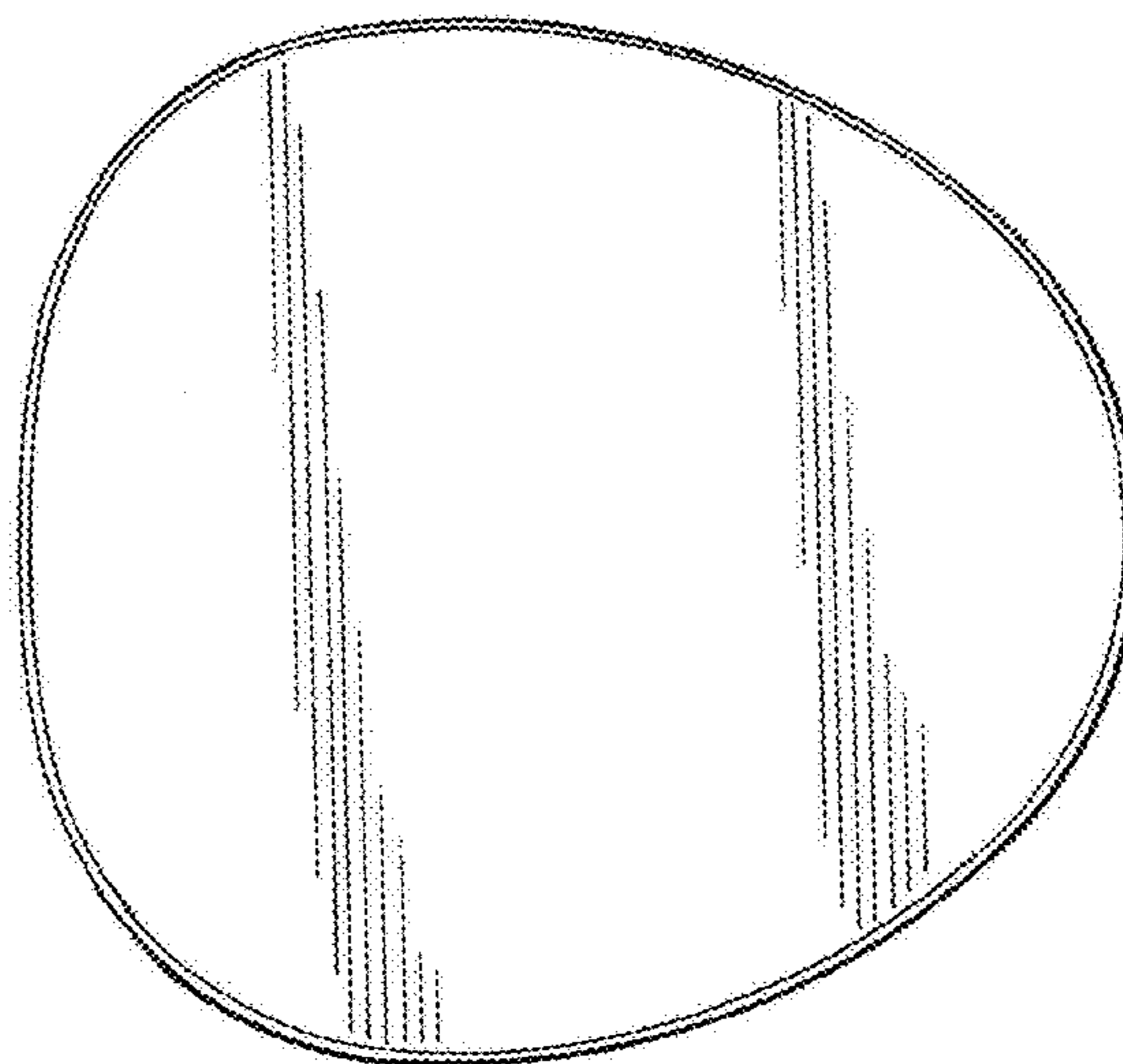


FIG. 3

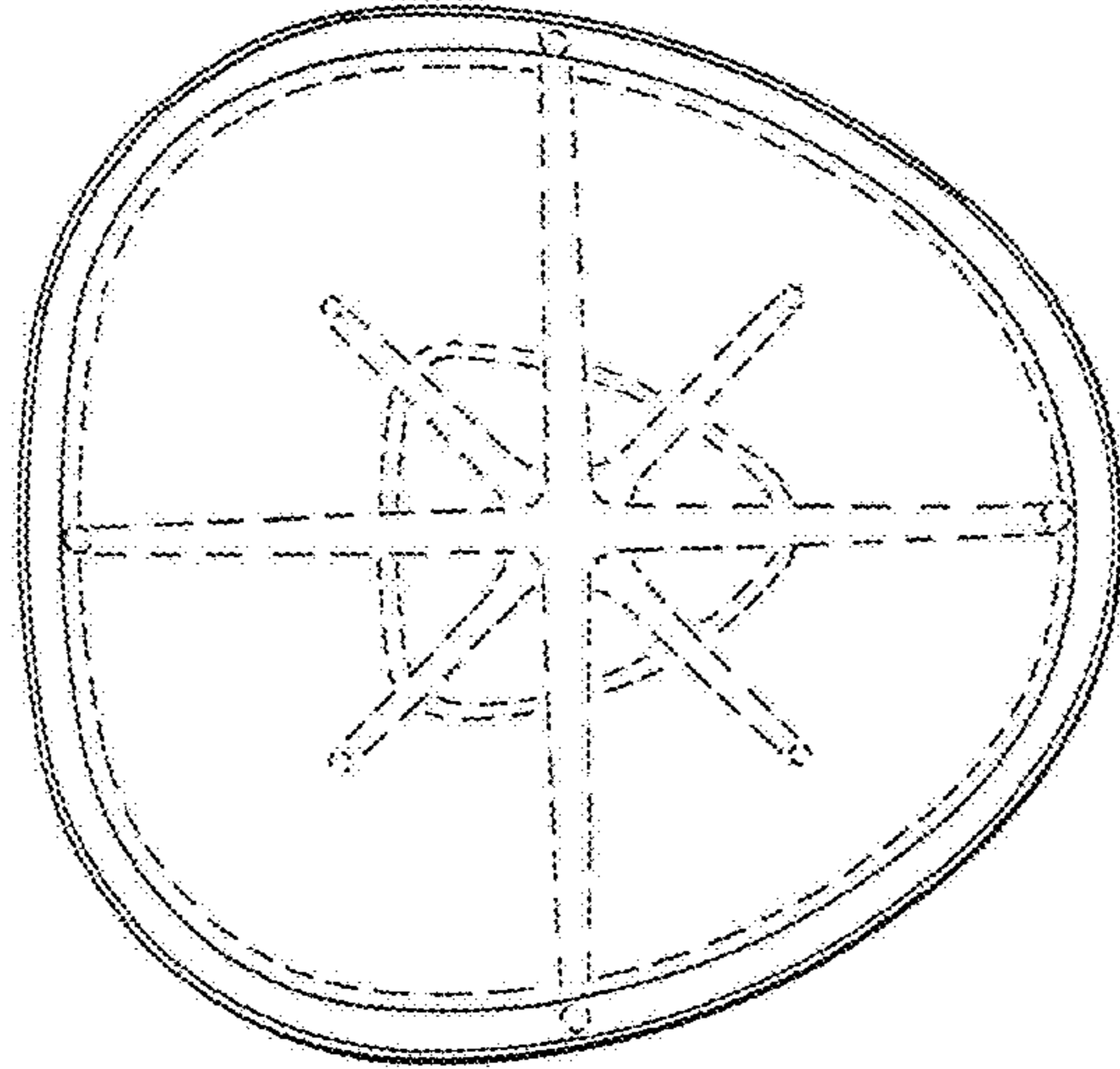


FIG. 4

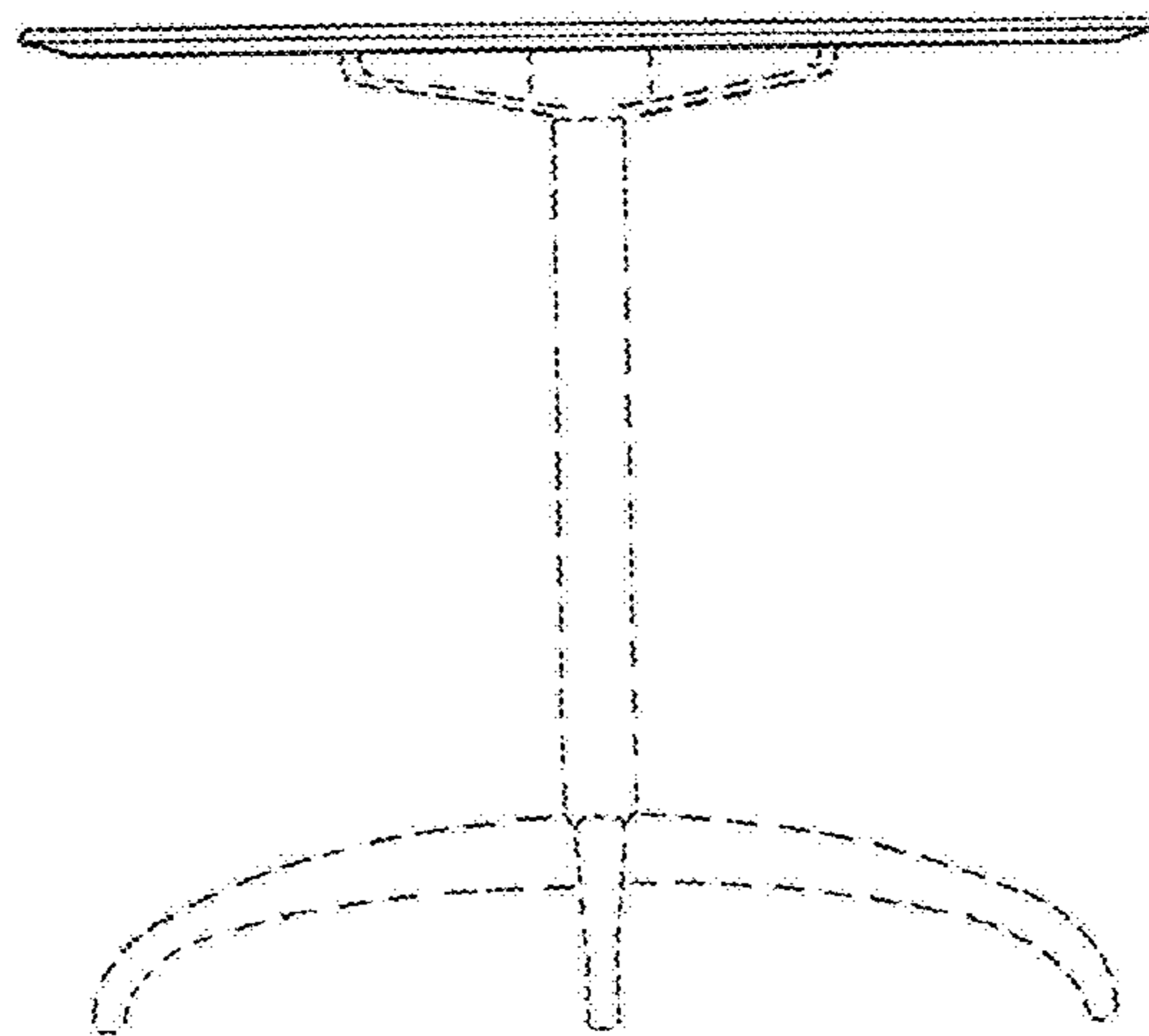


FIG. 5

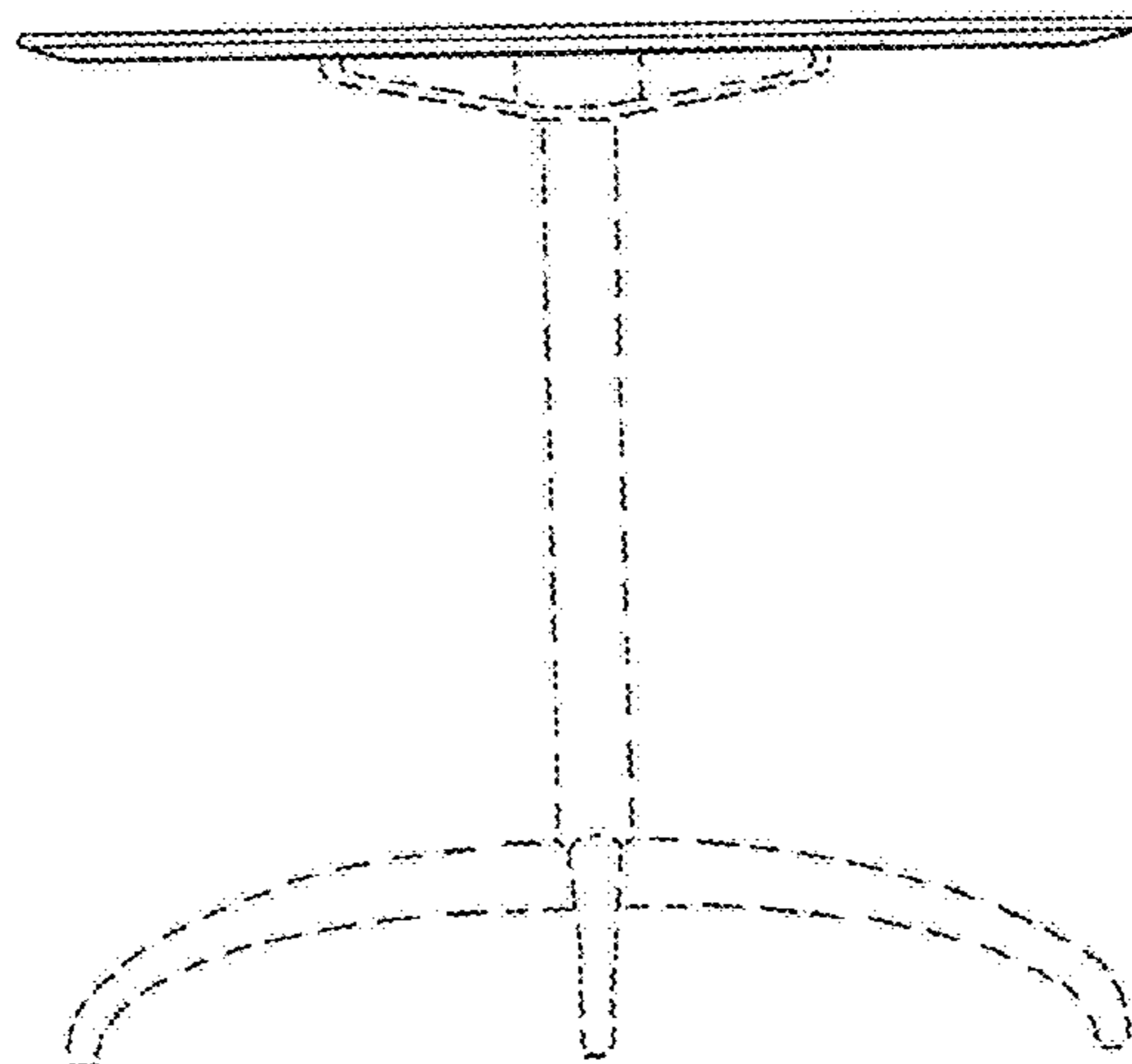


FIG. 6

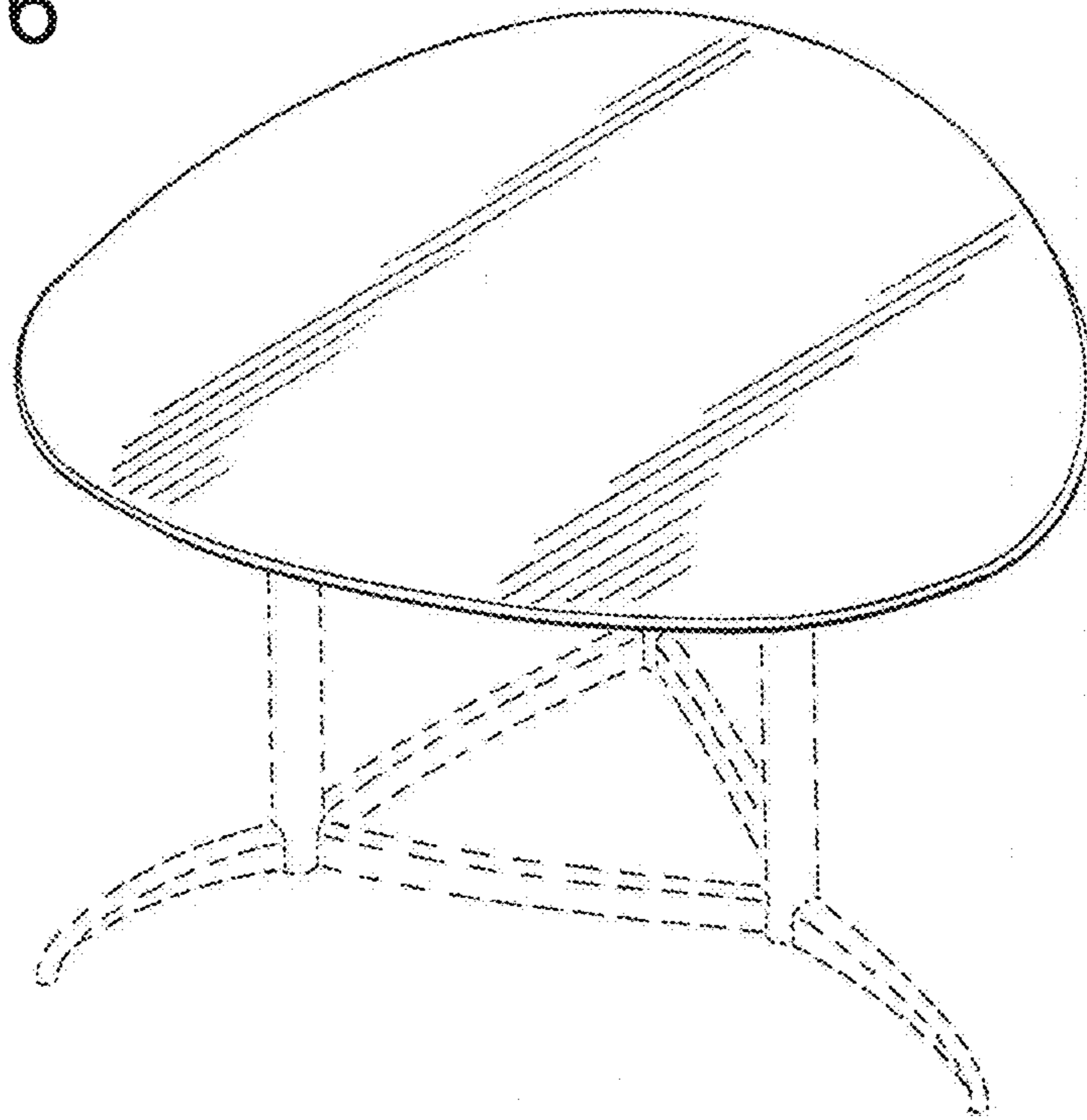


FIG. 7

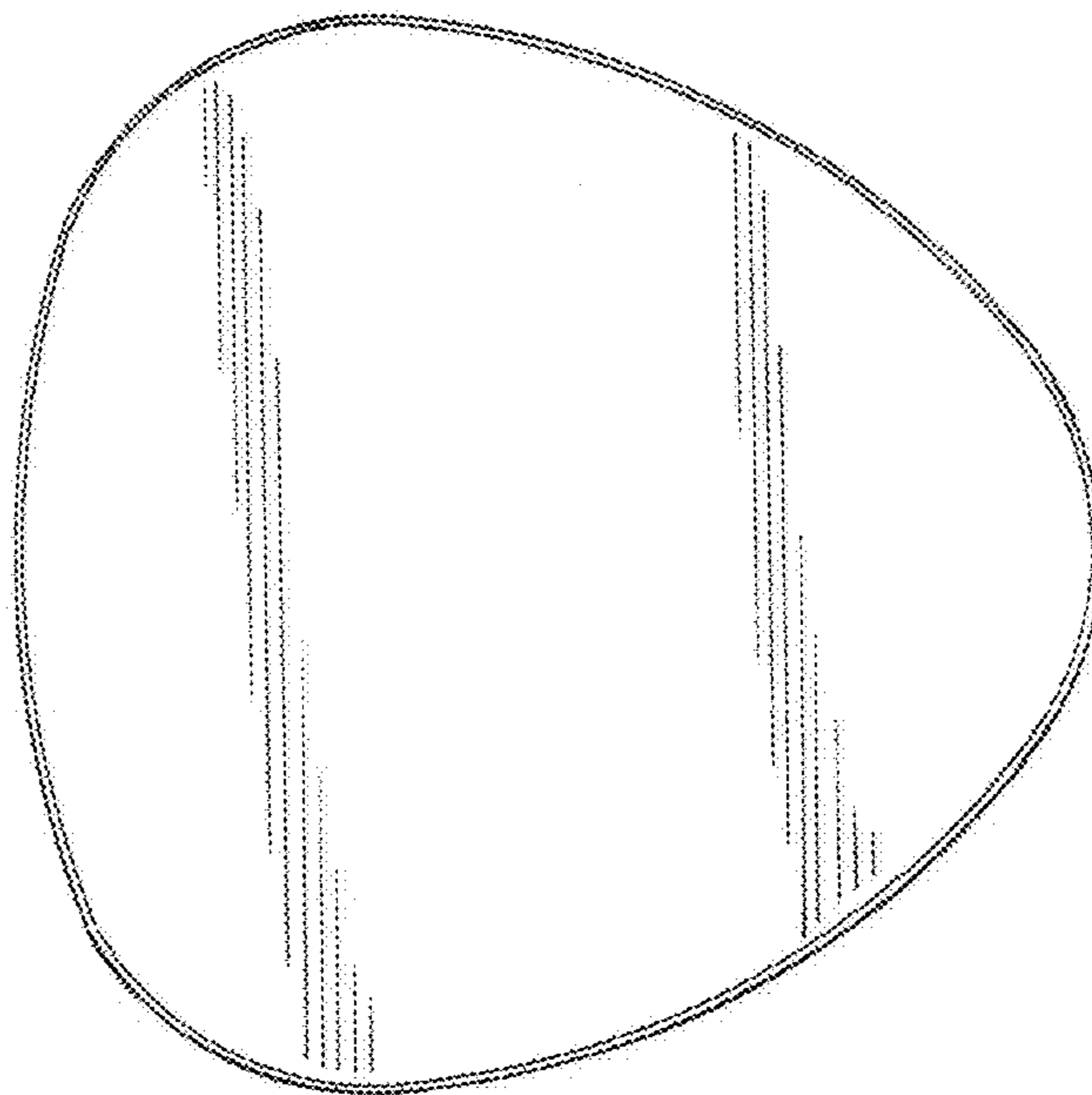


FIG. 8

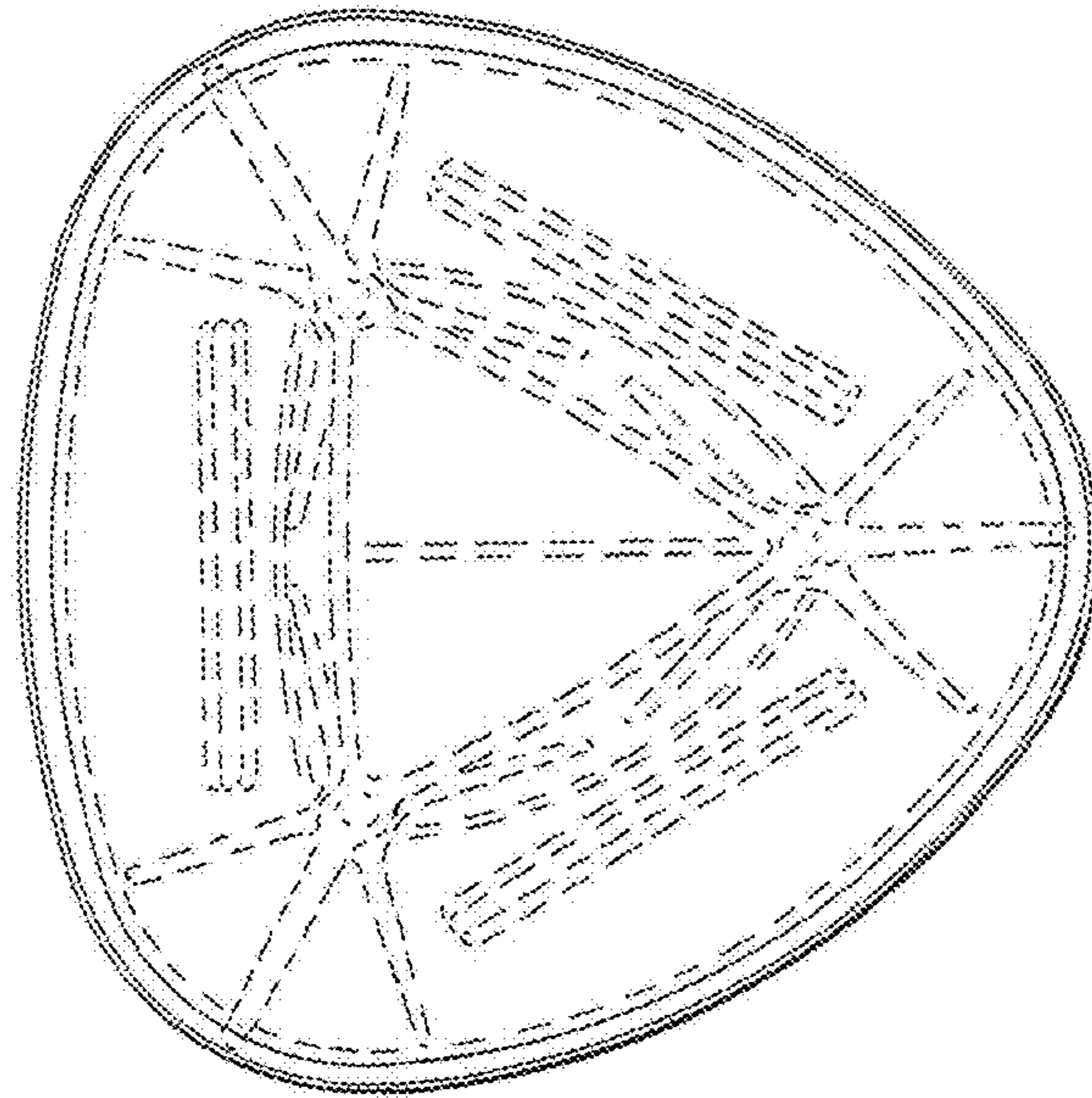


FIG. 9

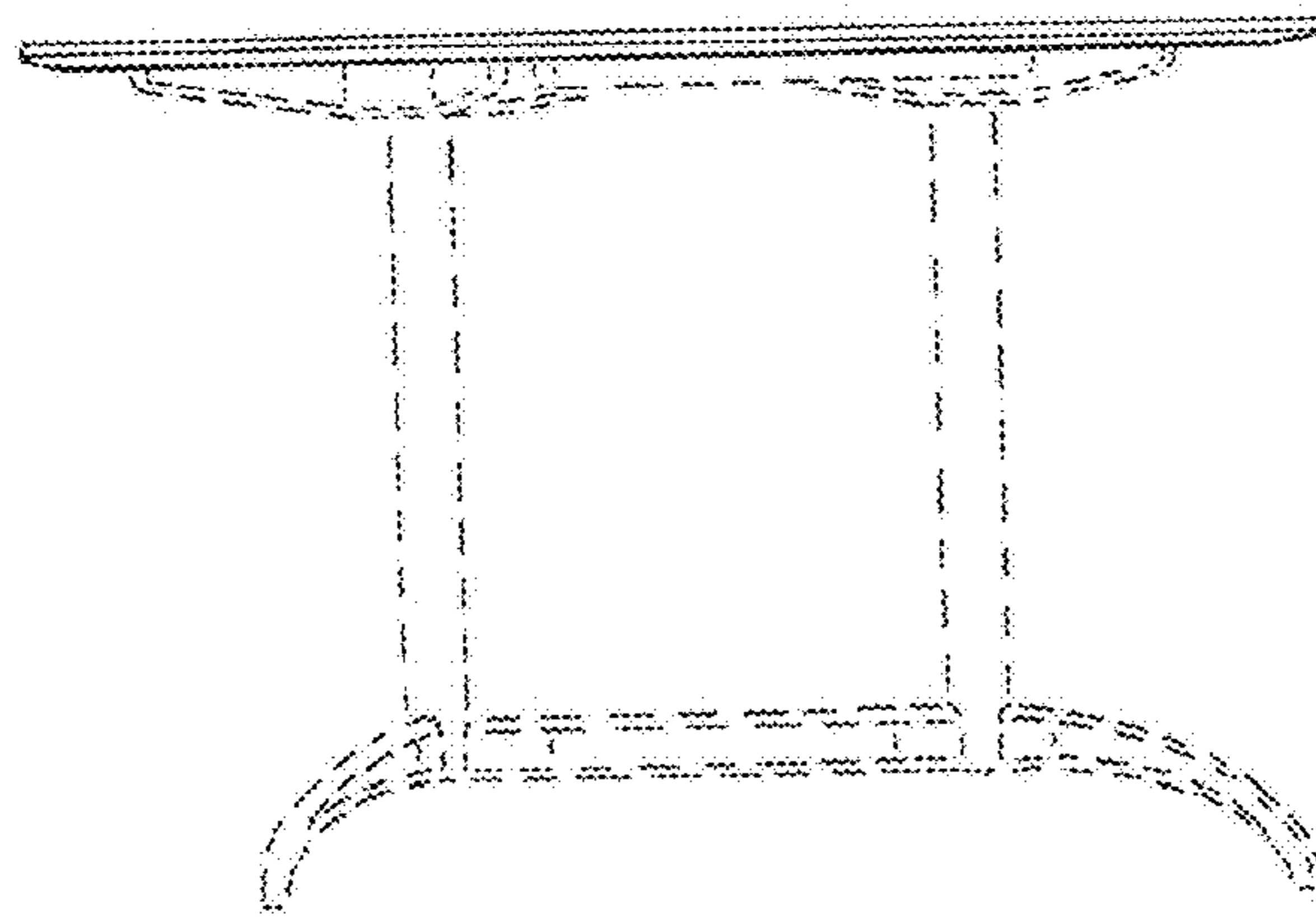


FIG. 10

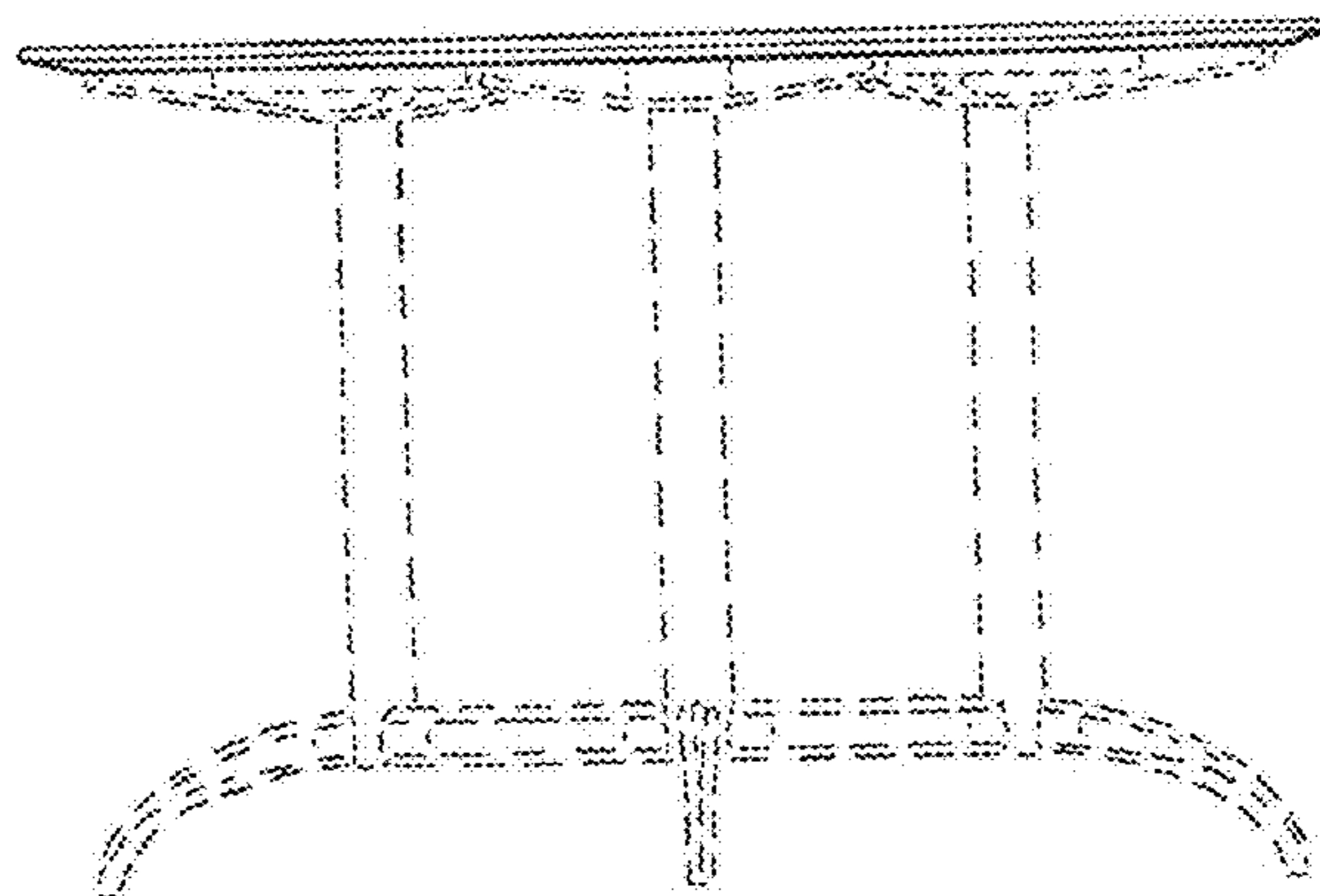


FIG. 11

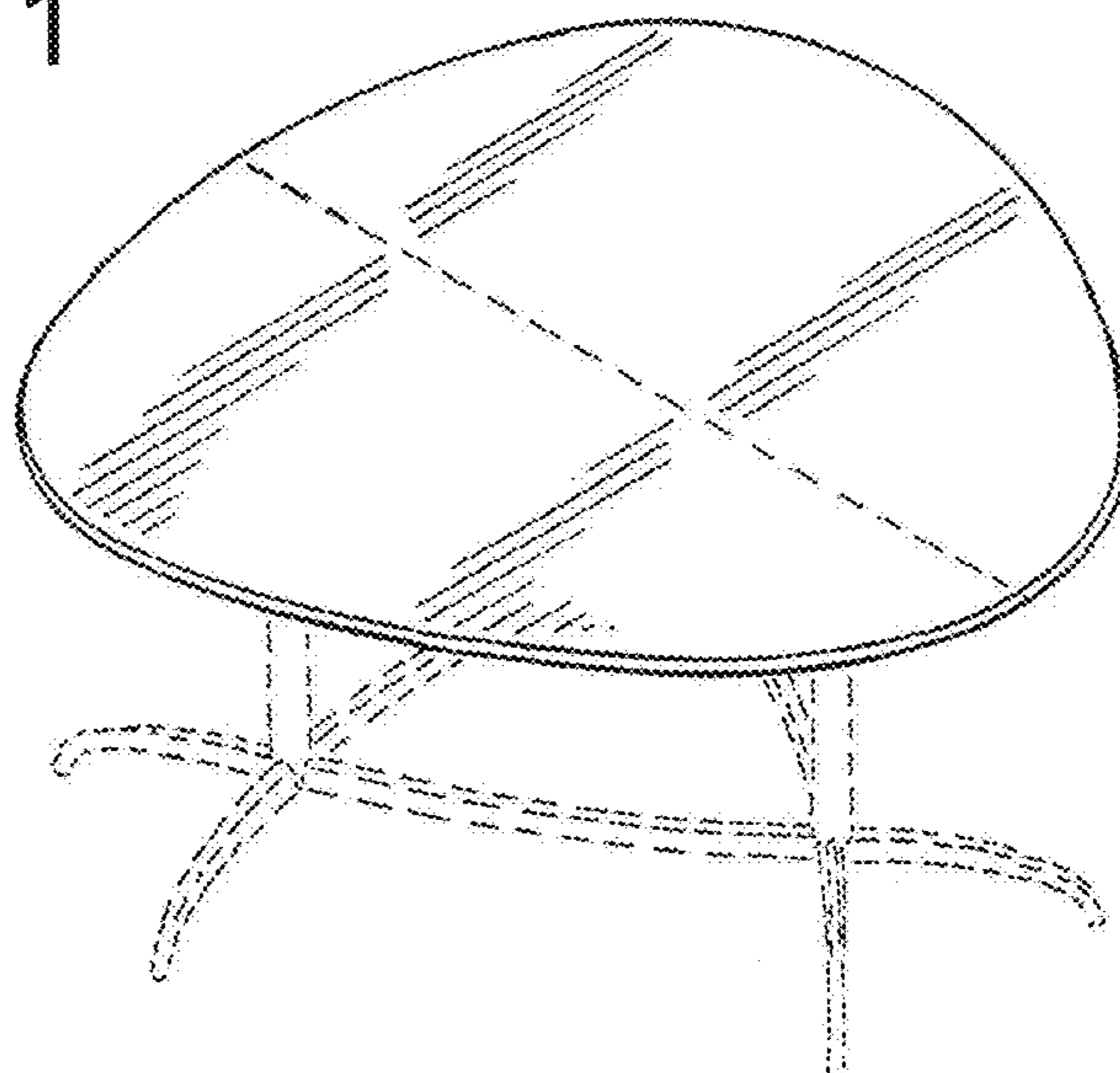


FIG. 12

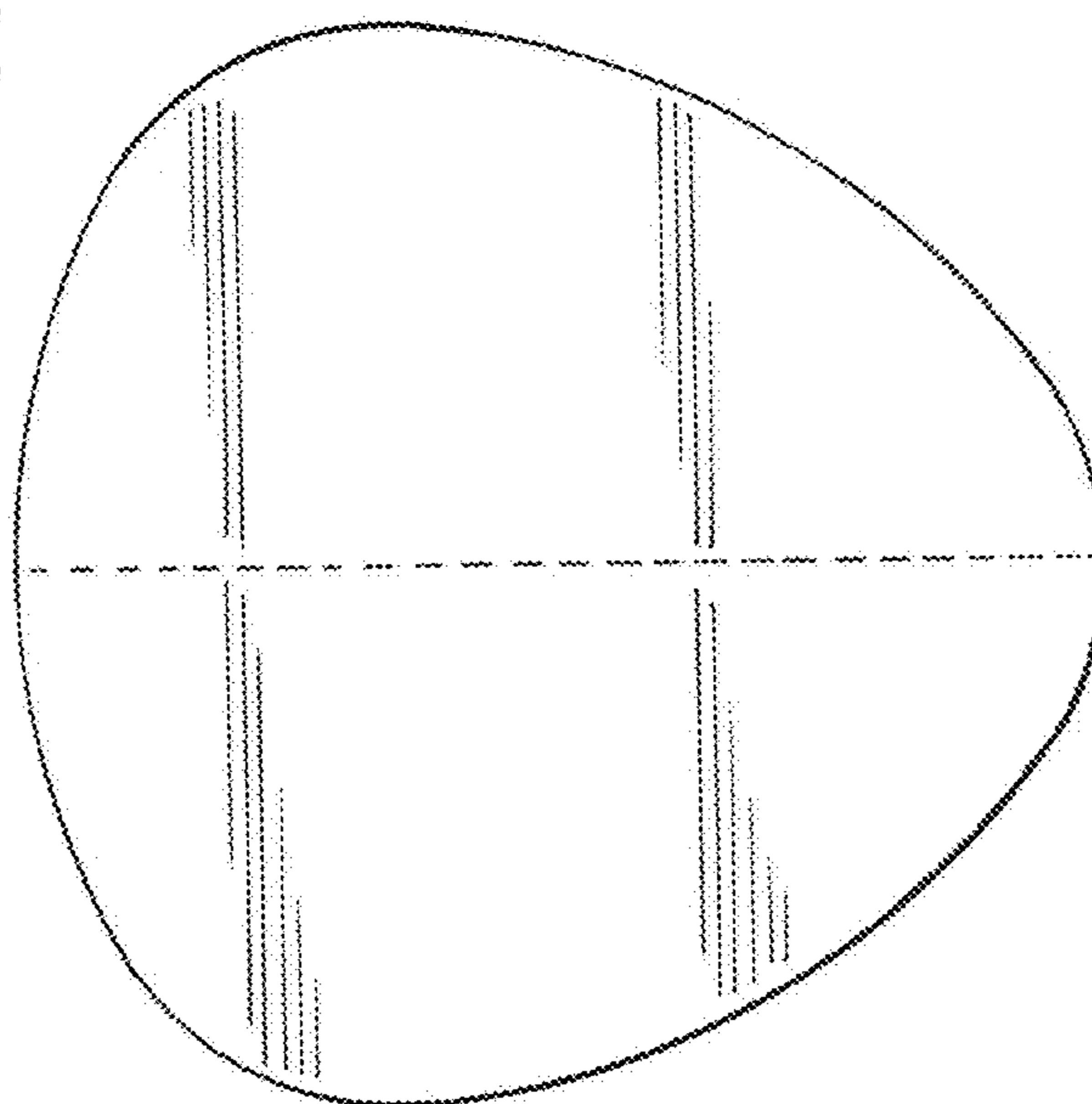


FIG. 13

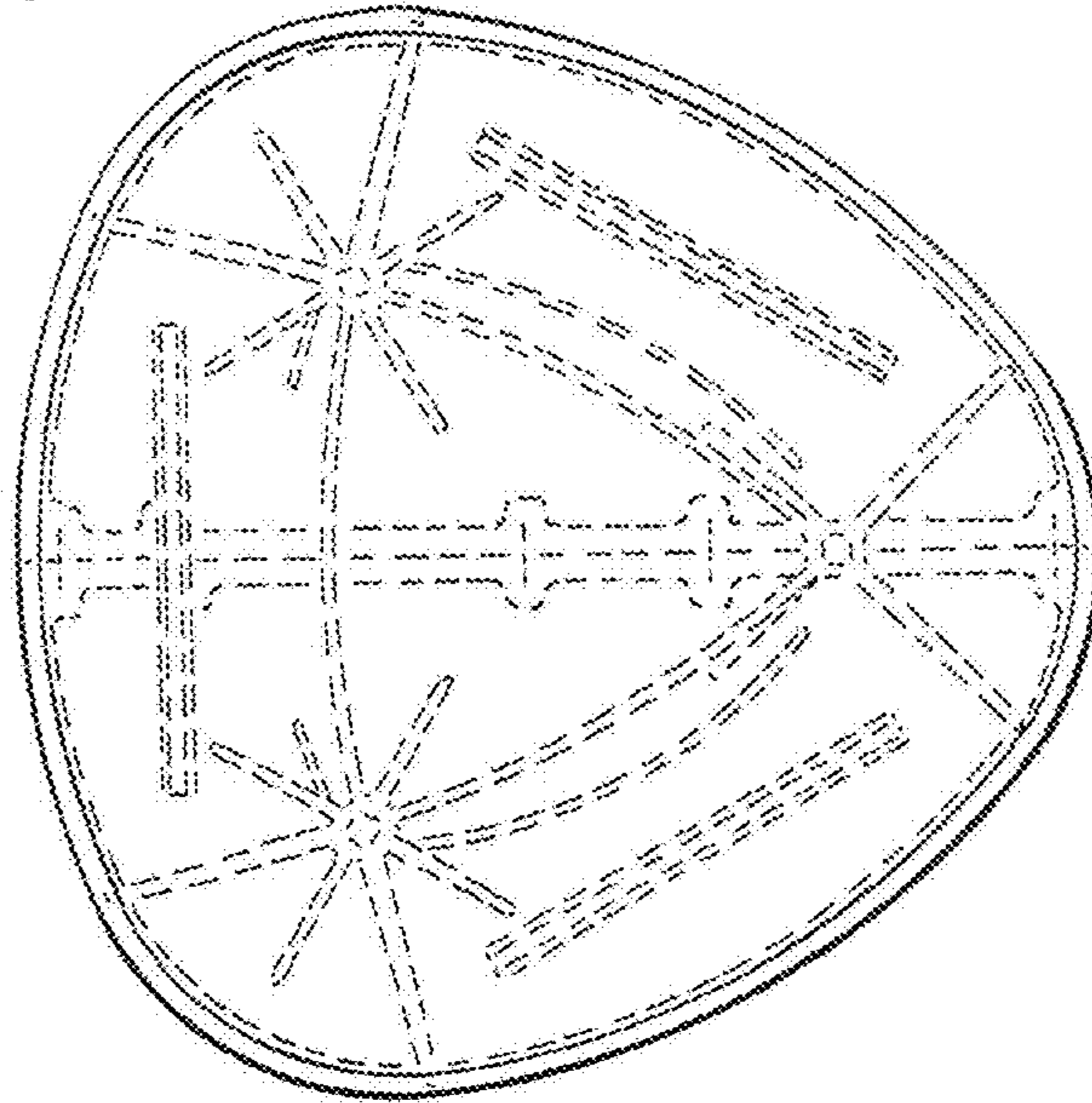


FIG. 14

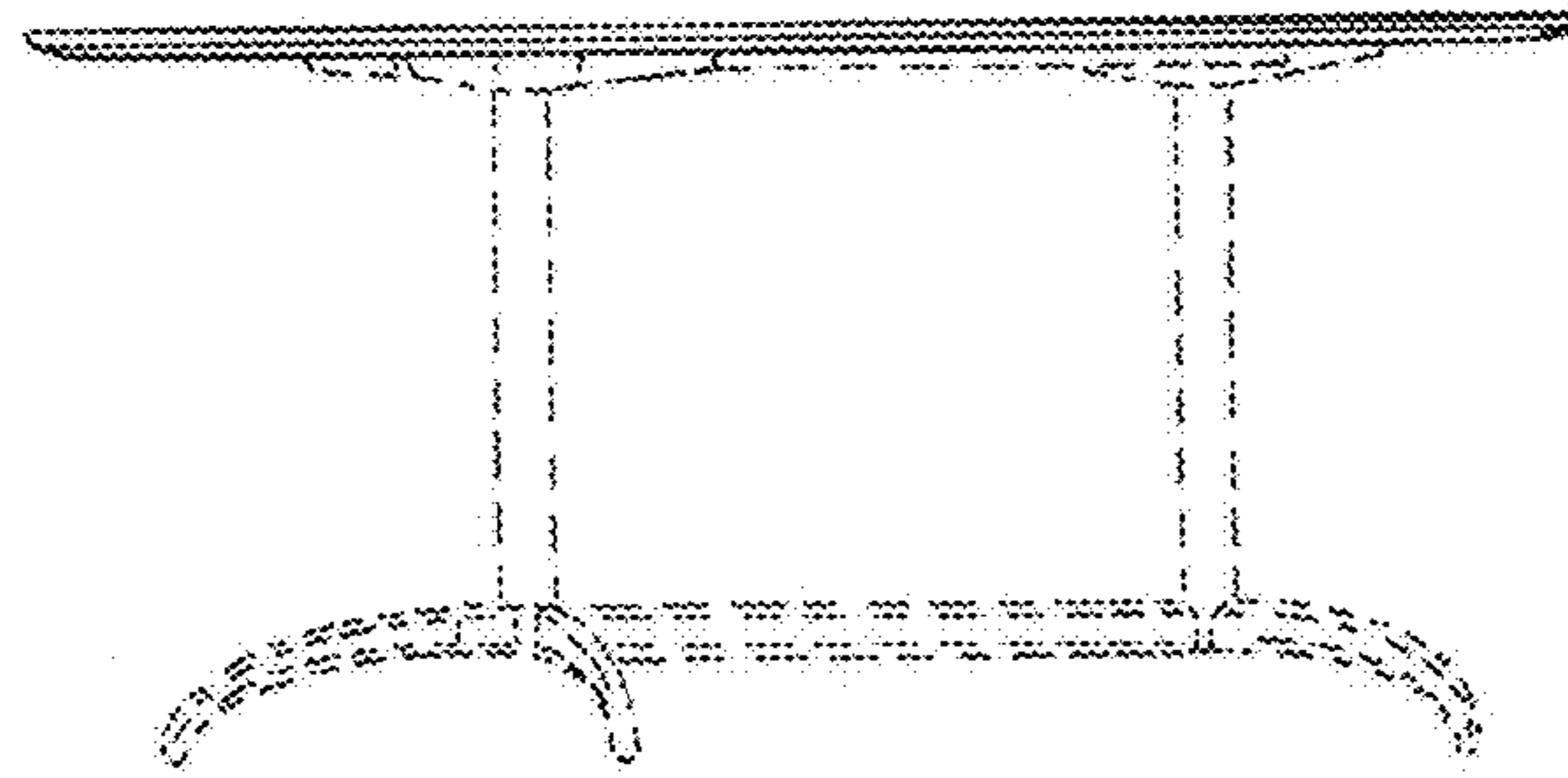


FIG. 15

