

US00D841379S

(12) **United States Design Patent** (10) **Patent No.:** **US D841,379 S**  
**Jacoby** (45) **Date of Patent:** **\*\* Feb. 26, 2019**

(54) **TABLE**

- (71) Applicant: **Eric Jacoby Design, Inc**, Salt Lake City, UT (US)
- (72) Inventor: **Eric Robert Jacoby**, Salt Lake City, UT (US)
- (\*\*) Term: **15 Years**
- (21) Appl. No.: **29/599,930**
- (22) Filed: **Apr. 7, 2017**
- (51) **LOC (11) Cl.** ..... **06-03**
- (52) **U.S. Cl.**  
USPC ..... **D6/691.7**
- (58) **Field of Classification Search**  
USPC ..... D6/336, 353, 368, 555, 641, 655, 655.1, D6/663, 664, 657, 672, 675, 675.1, 675.3, D6/686, 687, 688.11, 688.19, 691, 691.1, D6/691.9, 692, 692.2, 692.5, 692.6, 707, D6/707.12, 707.18, 707.19, 707.2, 708, D6/708.16, 708.17, 708.24, 709-709.22  
CPC .. A47B 37/00; A47B 3/00; A47B 1/00; A47B 3/06; A47B 3/08; A47B 7/00; A47B 21/00; A47B 23/00; A47B 25/00; A47B 13/08; A47B 3/083; A47B 3/14; A47B 41/00; A47B 17/00; A47B 3/0809; A47B 3/0812; A47B 2013/026; A47B 2200/03; A47B 2200/00; A47B 2003/0821; A47C 3/045

See application file for complete search history.

(56) **References Cited**

**U.S. PATENT DOCUMENTS**

- D96,633 S \* 8/1935 Swanson ..... D6/691.7
- 3,062,571 A \* 11/1962 Goldman ..... A47B 13/06  
248/246

(Continued)

**OTHER PUBLICATIONS**

Coffee Table, posted at Facebook.com, posted on Jul. 1, 2017, site visited Jun. 13, 2018. online, available from internet: [https://www.facebook.com/ericjacobydesign/photos/a.1421978994555164.1073741833.1311754125577652/1421979254555138/?type=3&theater.\\*](https://www.facebook.com/ericjacobydesign/photos/a.1421978994555164.1073741833.1311754125577652/1421979254555138/?type=3&theater.*)

(Continued)

*Primary Examiner* — Mary Ann Calabrese  
*Assistant Examiner* — Catherine Ho  
(74) *Attorney, Agent, or Firm* — Fabian VanCott; Brian J. Riddle

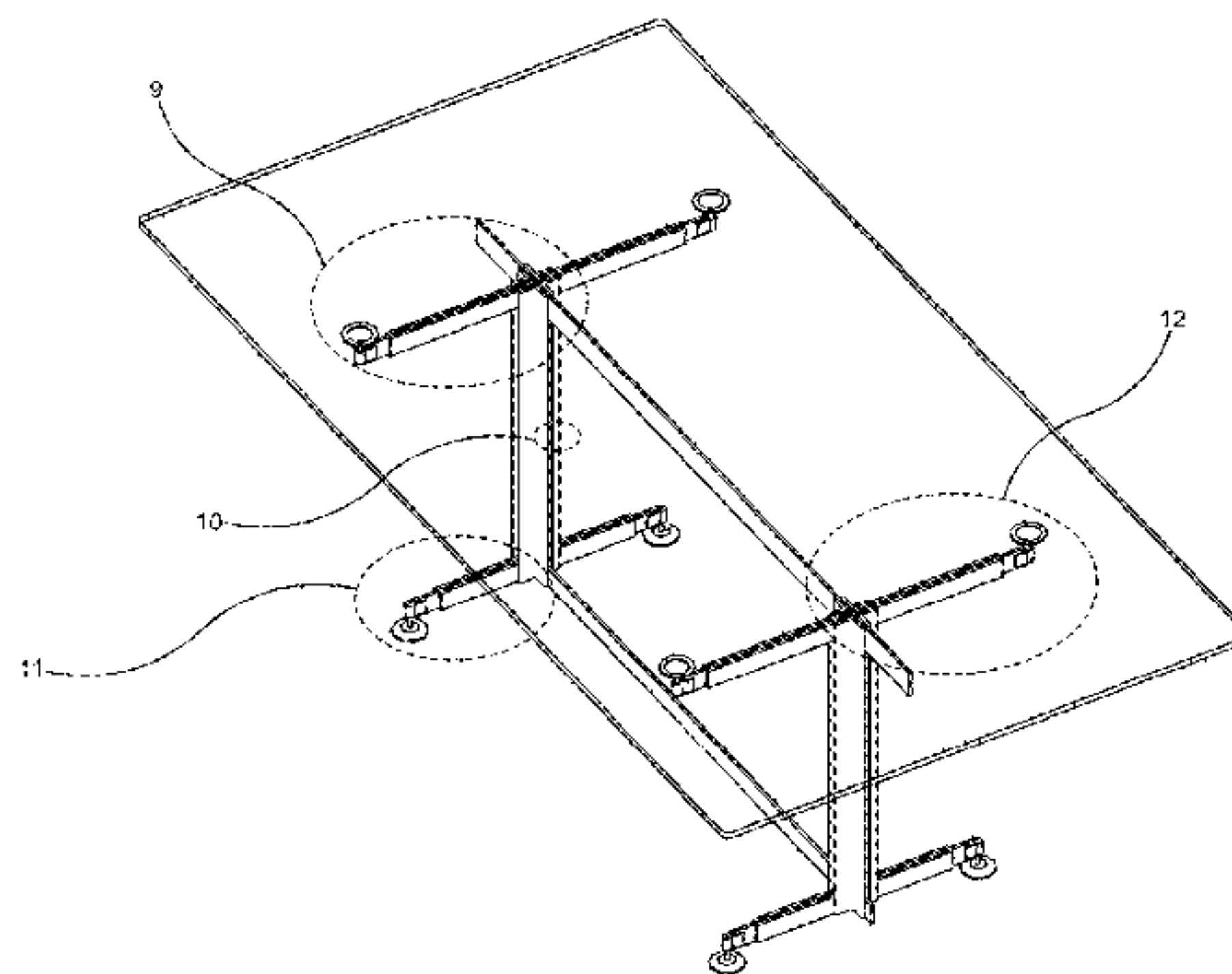
(57) **CLAIM**

The ornamental design for a table, as shown.

**DESCRIPTION**

FIG. 1 is a top axonometric view of a table showing the new design;  
 FIG. 2 is a bottom axonometric view of the table;  
 FIG. 3 is a top plan view of the table;  
 FIG. 4 is a bottom plan view of the table;  
 FIG. 5 is a front elevation view of the table;  
 FIG. 6 is a rear elevation view of the table;  
 FIG. 7 is a right-side elevation view of the table;  
 FIG. 8 is a left-side elevation view of the table;  
 FIG. 9 is an enlarged fragment of the portion of the table of FIG. 1 and labeled 9;  
 FIG. 10 is an enlarged fragment of the portion of the table of FIG. 1 and labeled 10;  
 FIG. 11 is an enlarged fragment of the portion of the table of FIG. 1 and labeled 11;  
 FIG. 12 is an enlarged fragment of the portion of the table of FIG. 1 and labeled 12;  
 FIG. 13 is an enlarged fragment of the portion of the table of FIG. 2 and labeled 13;  
 FIG. 14 is an enlarged fragment of the portion of the table of FIG. 2 and labeled 14;  
 FIG. 15 is an enlarged fragment of the portion of the table of FIG. 5 and labeled 15; and,  
 FIG. 16 is an enlarged fragment of the portion of the table of FIG. 5 and labeled 16.

**1 Claim, 10 Drawing Sheets**



(56)

**References Cited**

U.S. PATENT DOCUMENTS

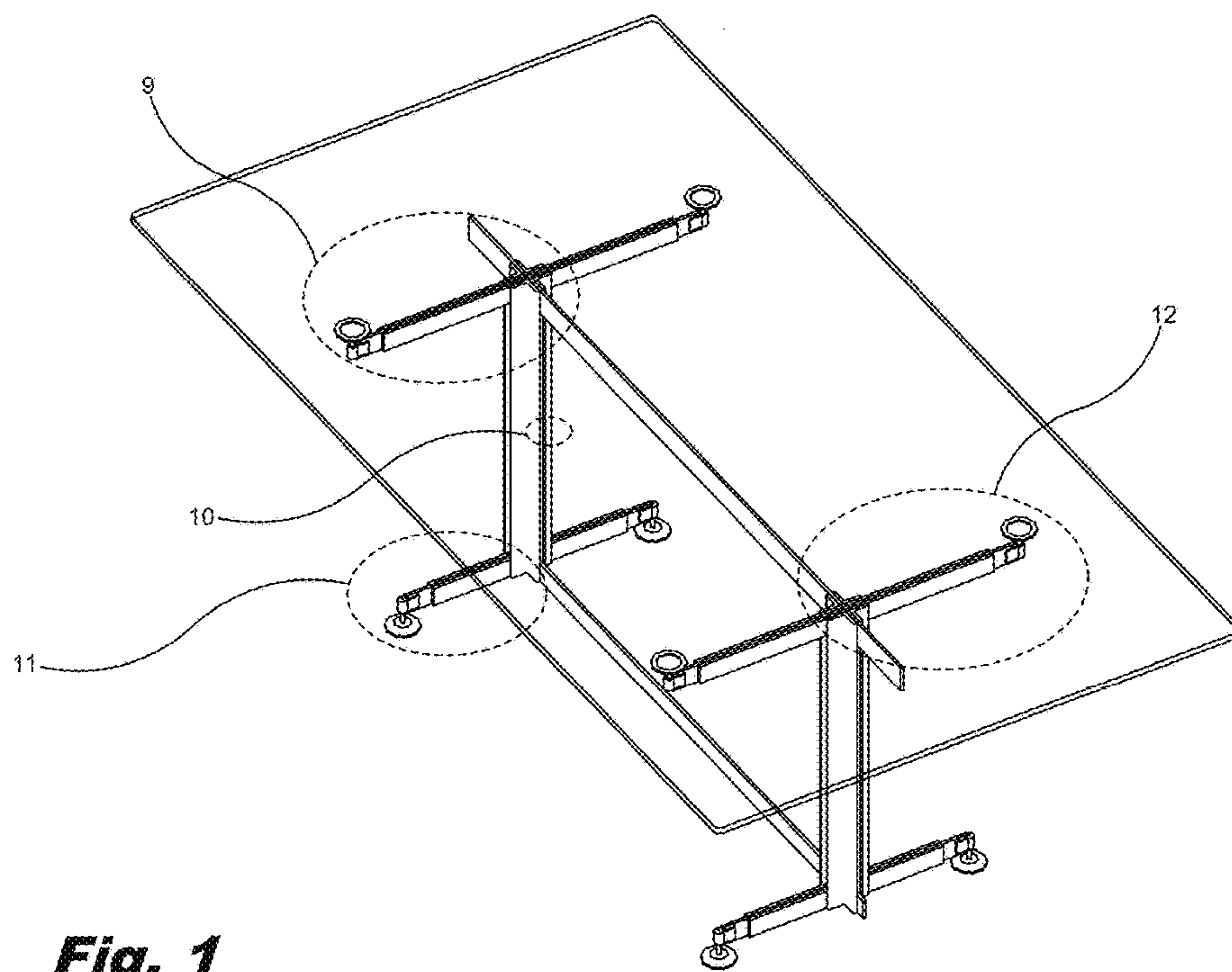
3,796,169 A \* 3/1974 Bales ..... A47B 3/0815  
 108/116  
 4,067,266 A \* 1/1978 Lafargue ..... A47B 3/00  
 108/172  
 D306,109 S \* 2/1990 Borsani ..... D6/691.7  
 D345,475 S \* 3/1994 Ferguson ..... D6/691.7  
 D422,812 S \* 4/2000 Thompson ..... D6/708  
 D512,251 S \* 12/2005 Sakurai ..... D6/708  
 D564,260 S \* 3/2008 deCarolis ..... D6/675.1  
 D586,591 S \* 2/2009 Stoller ..... D6/708  
 D748,418 S \* 2/2016 Johnson ..... D6/707.19  
 D811,785 S \* 3/2018 Lim ..... D6/691.4  
 2015/0282605 A1 \* 10/2015 Wu ..... A47B 3/002  
 248/188.2

OTHER PUBLICATIONS

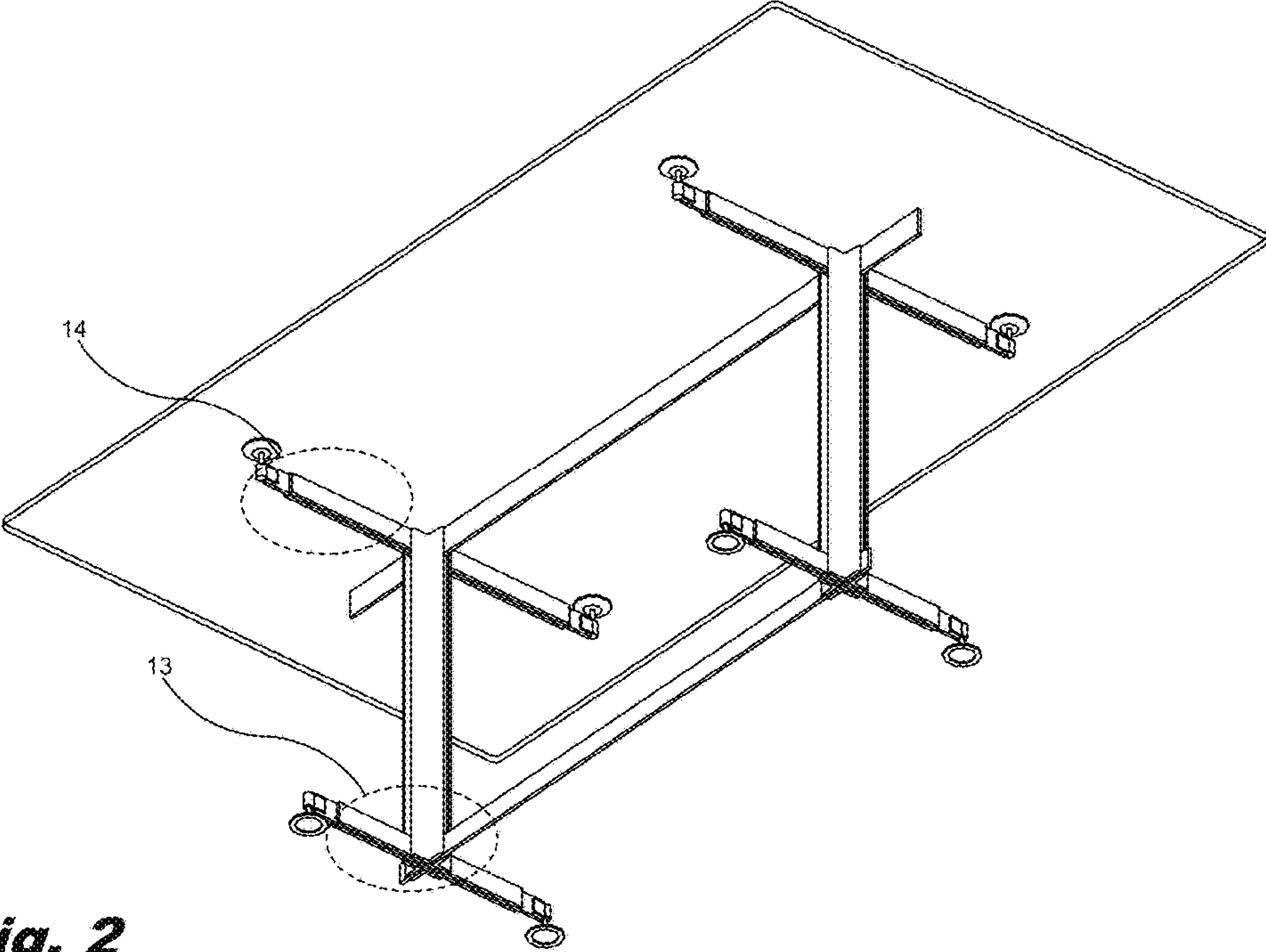
Dining Table, posted at Facebook.com, posted on Jul. 1, 2017, site visited Jun. 13, 2018. online, available from internet: [https://www.facebook.com/ericjacobydesign/photos/ms.c.eJwzNDEytDS3MLcwNDlytDA10jOECIhCBAwBcj4Gtw~.bps.a.1421978424555221.1073741832.1311754125577652/1421978781221852/?type=3&theater.\\*](https://www.facebook.com/ericjacobydesign/photos/ms.c.eJwzNDEytDS3MLcwNDlytDA10jOECIhCBAwBcj4Gtw~.bps.a.1421978424555221.1073741832.1311754125577652/1421978781221852/?type=3&theater.*)

Conference Table, posted at Facebook.com, posted on Jul. 1, 2017, site visited Jun. 13, 2018. online, available from internet: [https://www.facebook.com/ericjacobydesign/photos/a.1421975494555514.1073741830.1311754125577652/1421977367888660/?type=3&theater.\\*](https://www.facebook.com/ericjacobydesign/photos/a.1421975494555514.1073741830.1311754125577652/1421977367888660/?type=3&theater.*)

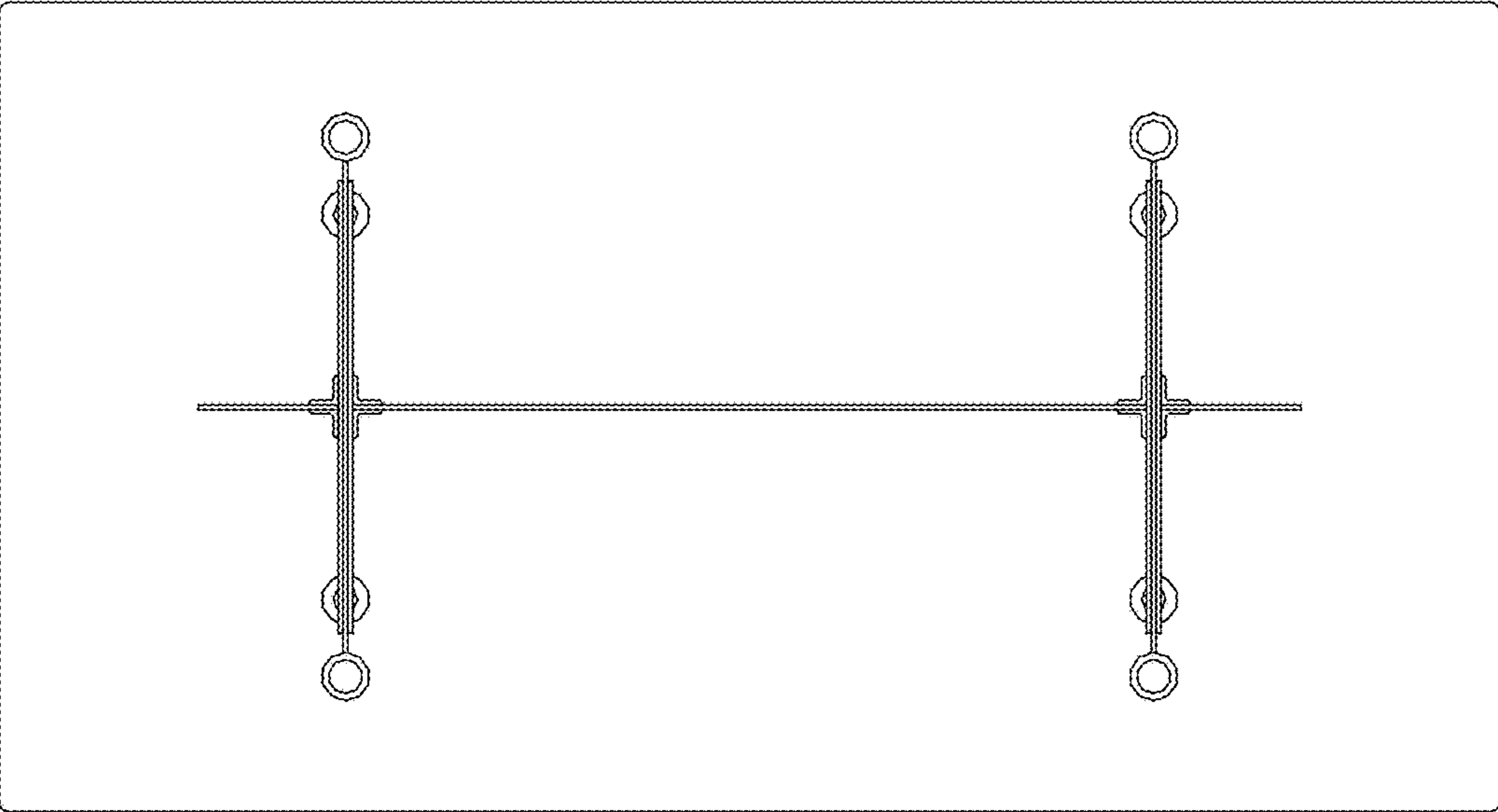
\* cited by examiner



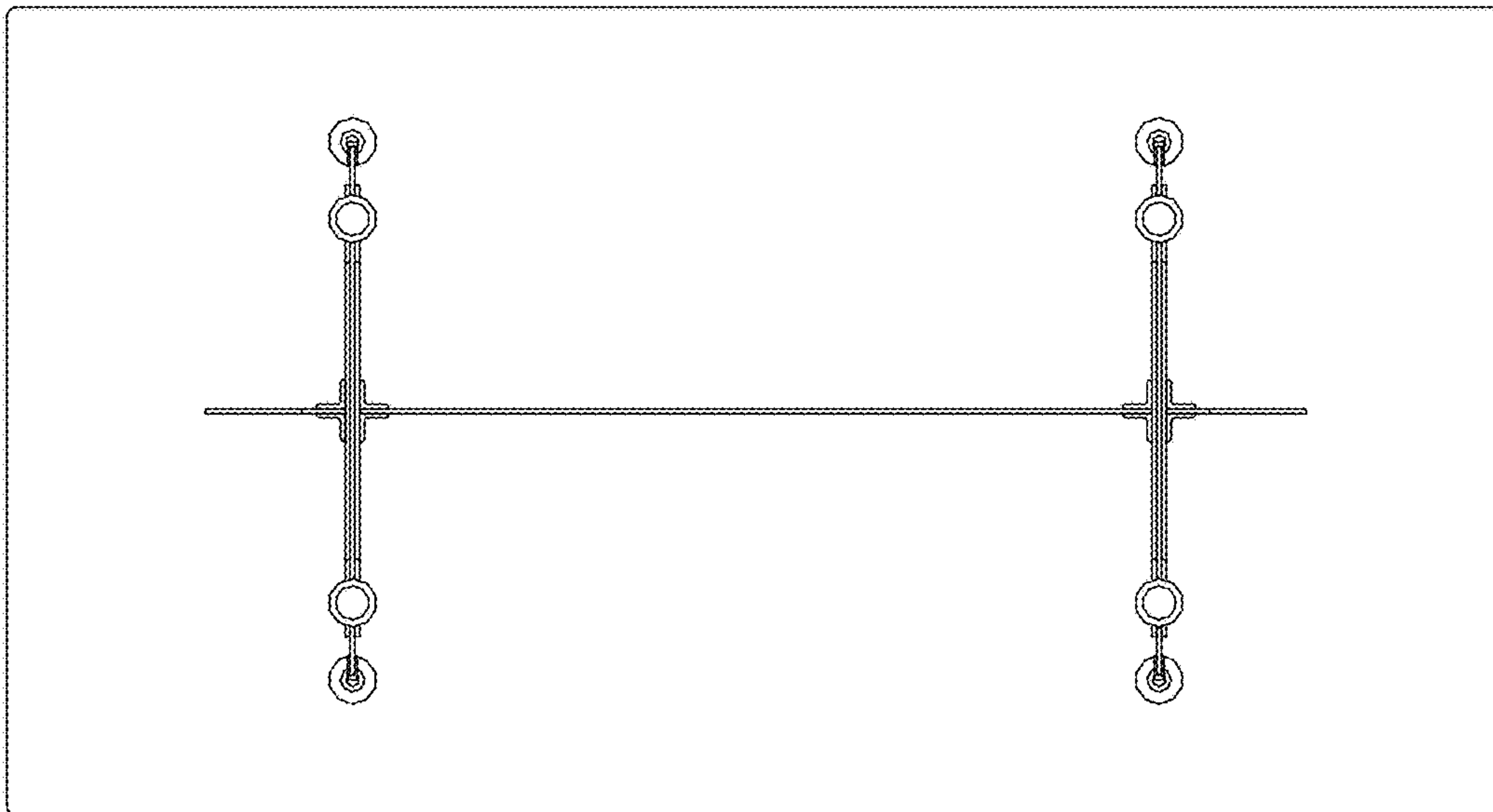
**Fig. 1**



**Fig. 2**

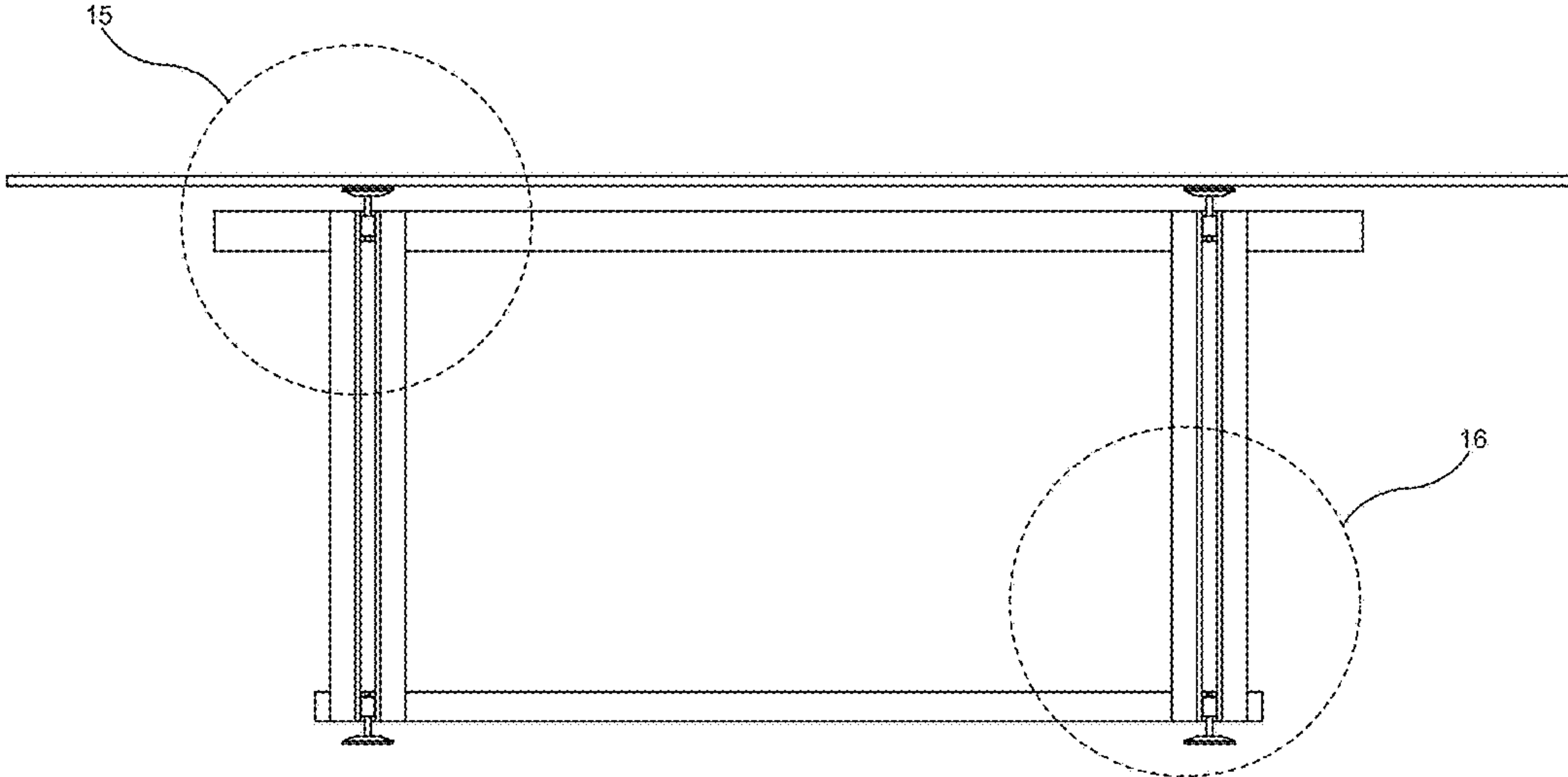


**Fig. 3**

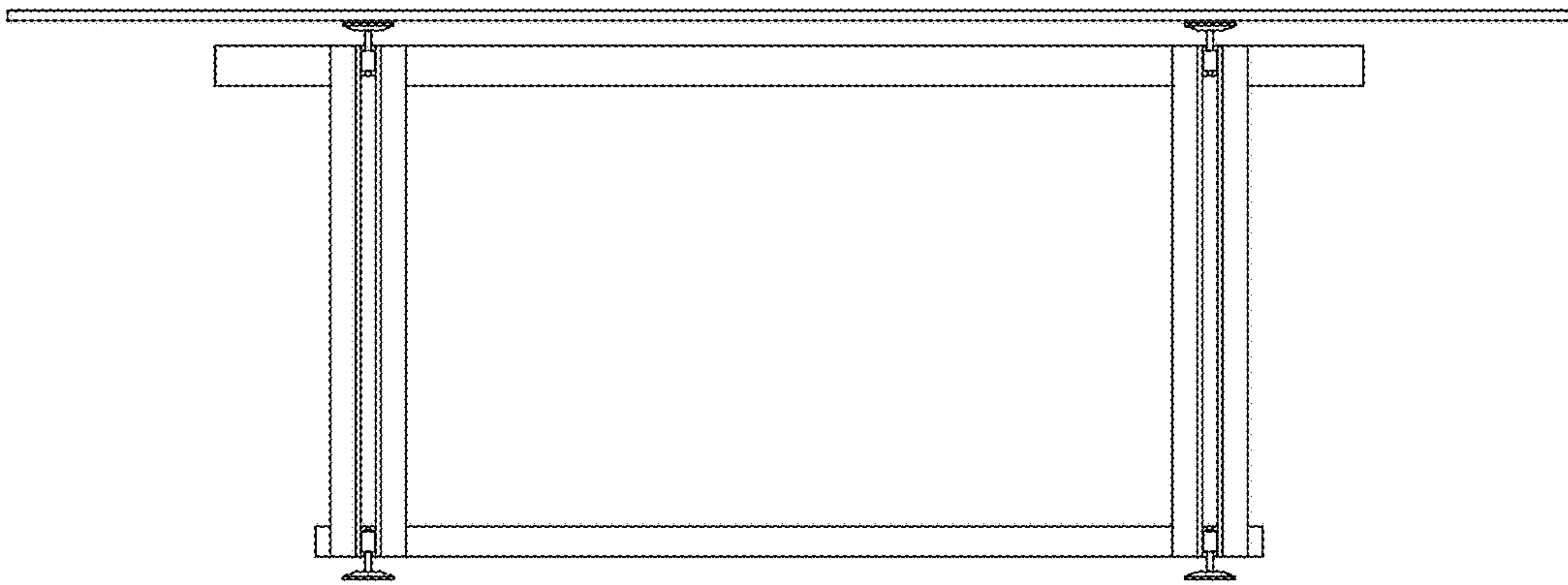


**Fig. 4**



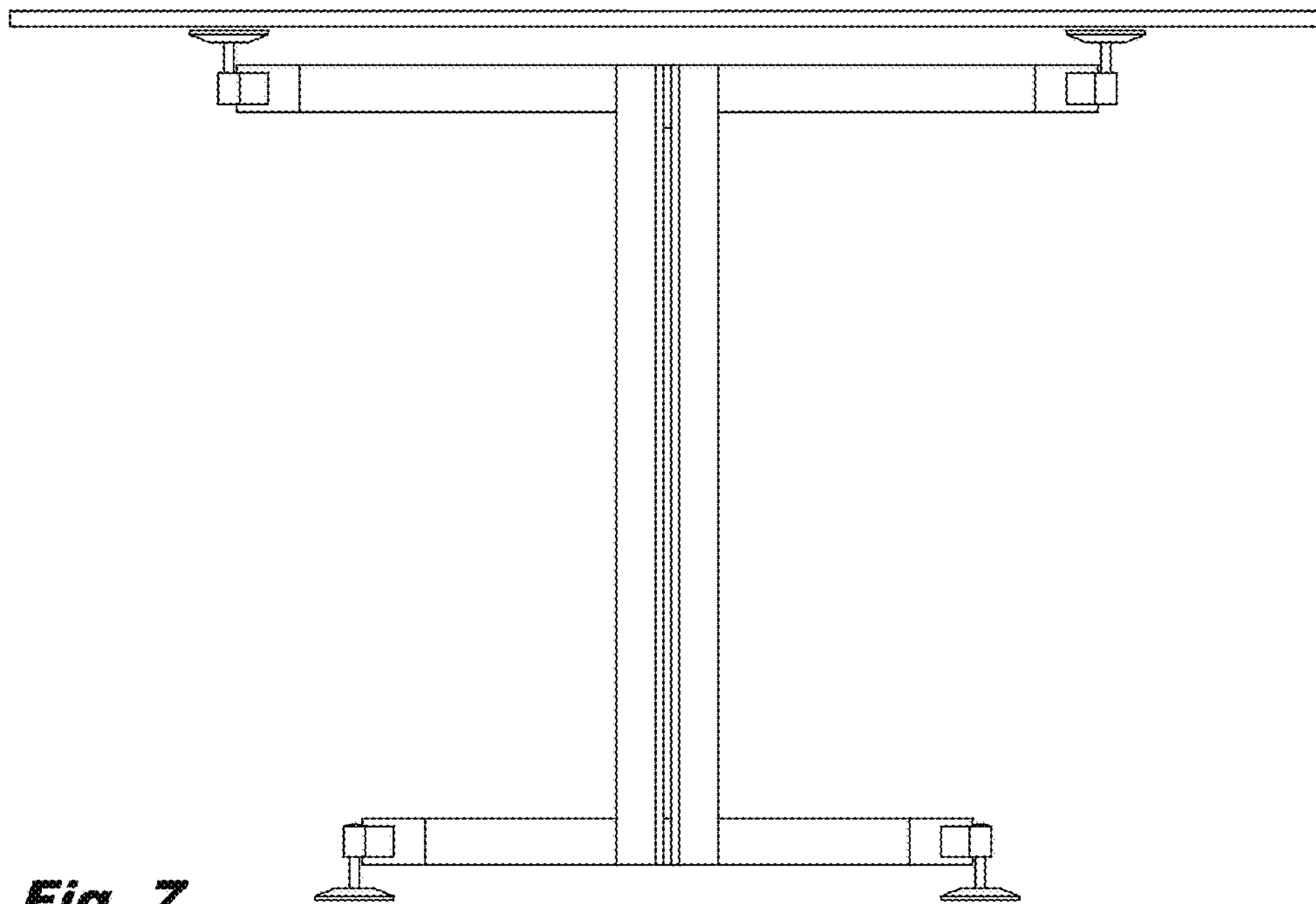


**Fig. 5**

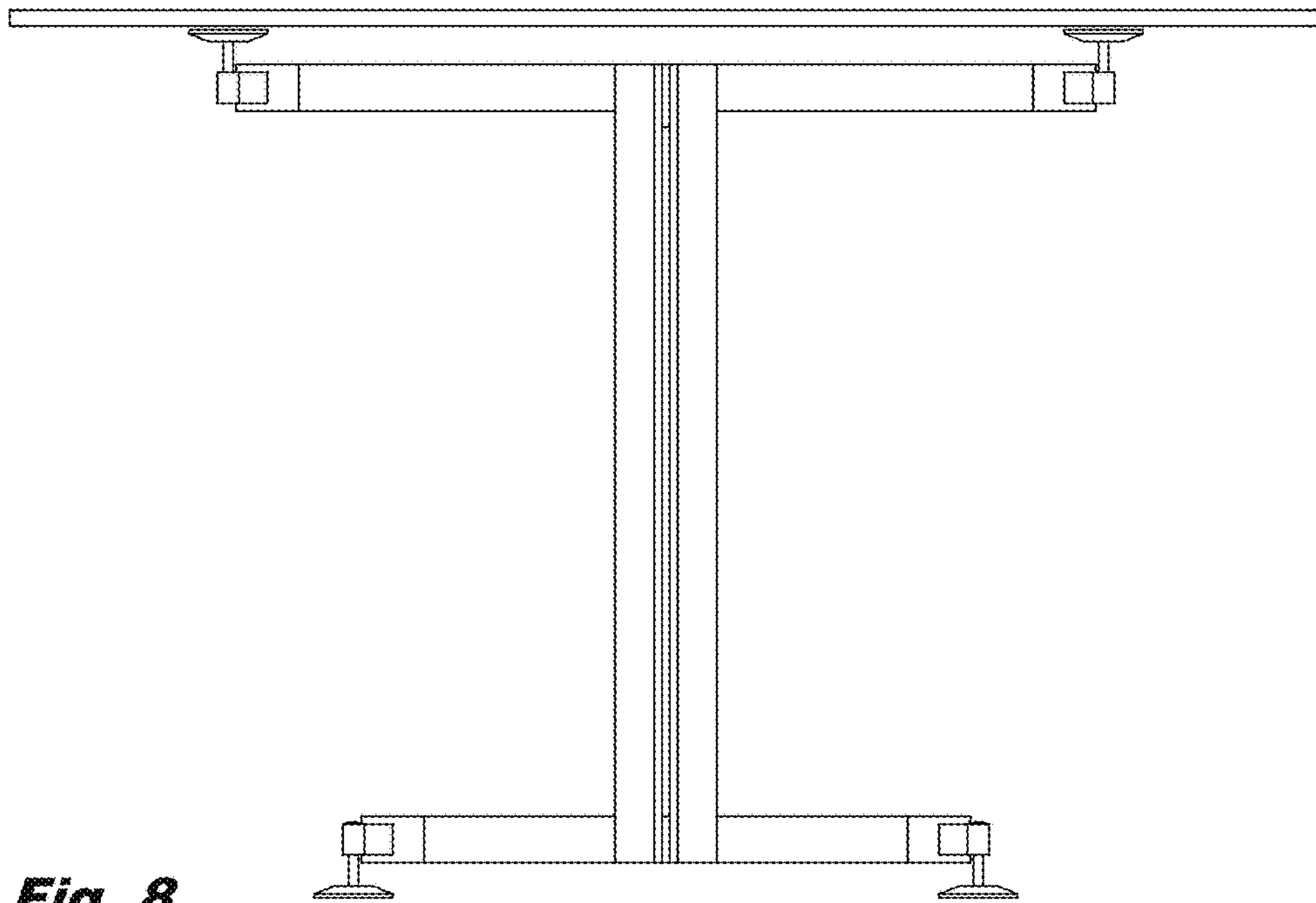


***Fig. 6***

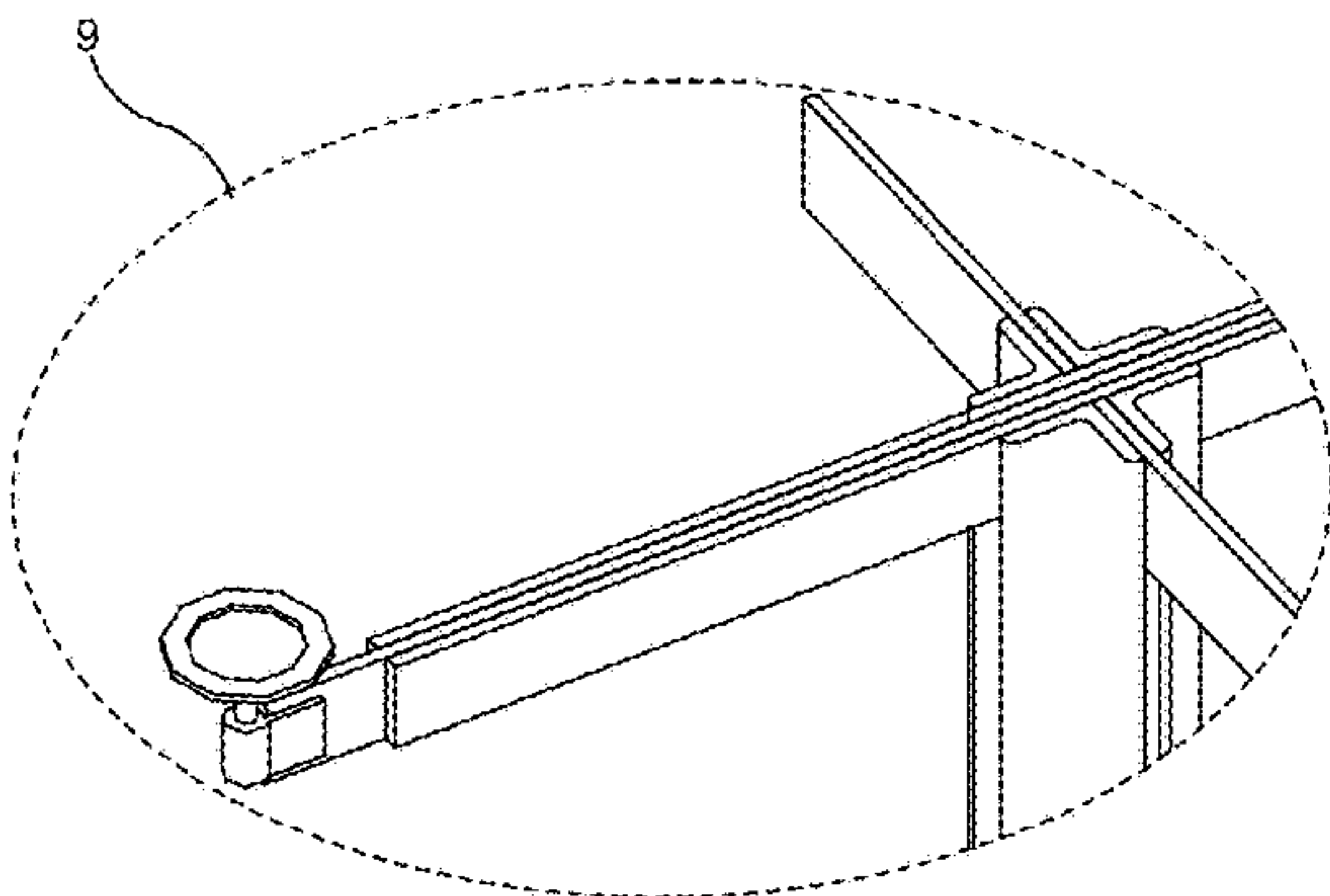




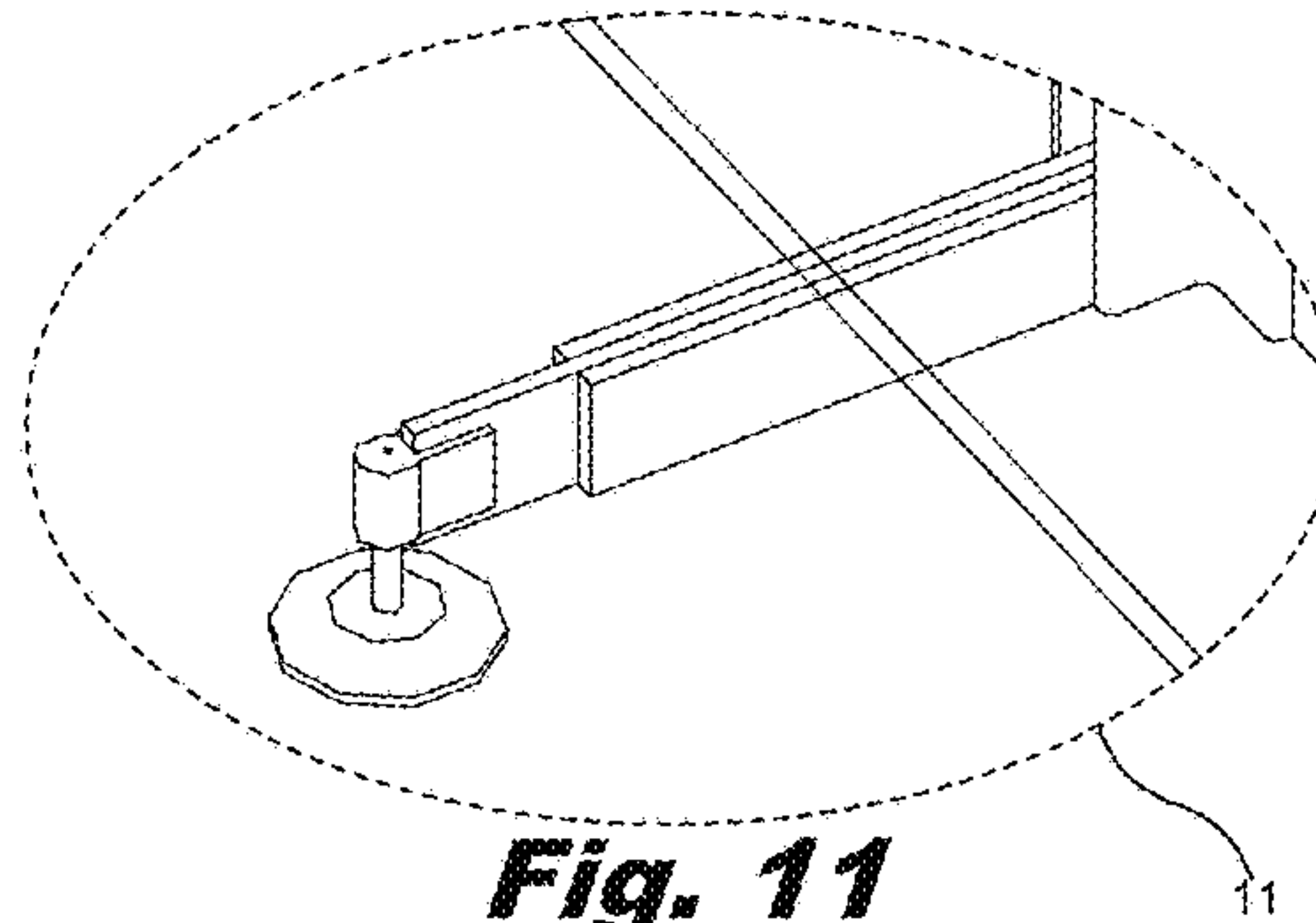
**Fig. 7**



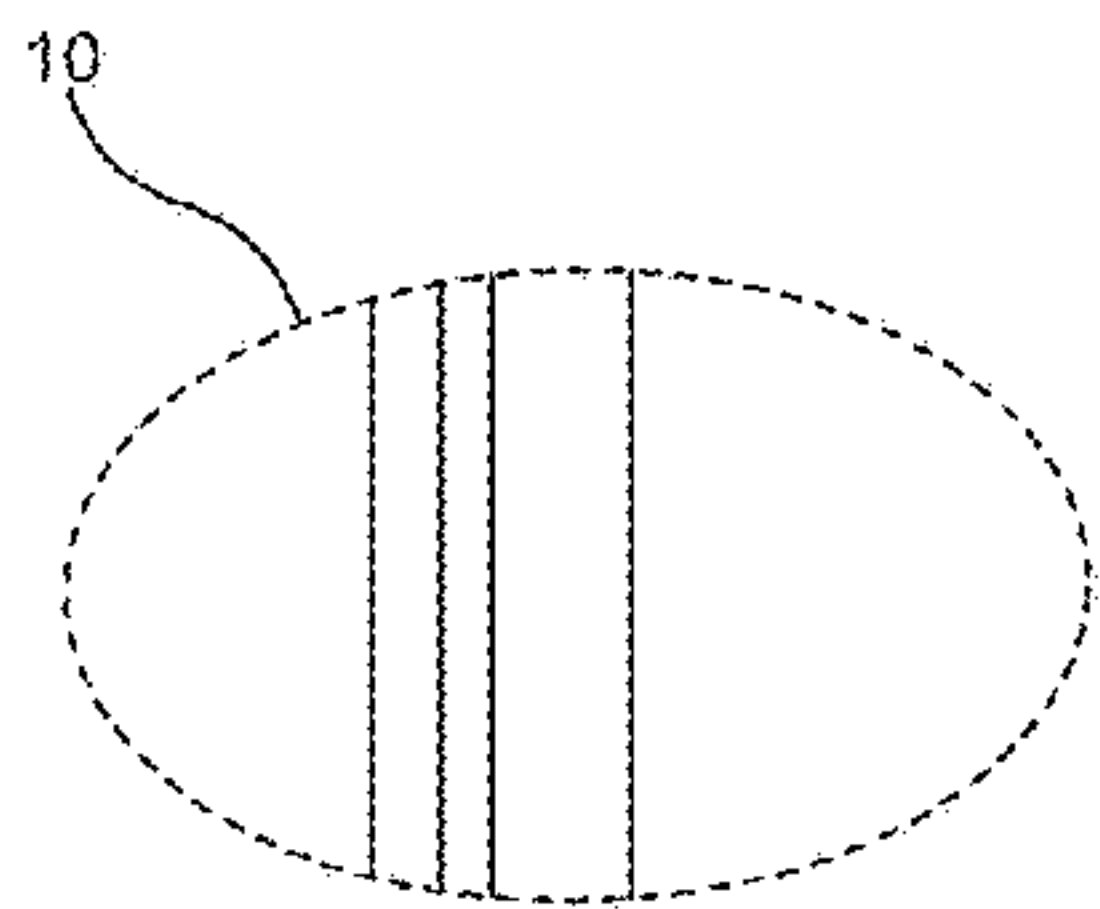
**Fig. 8**



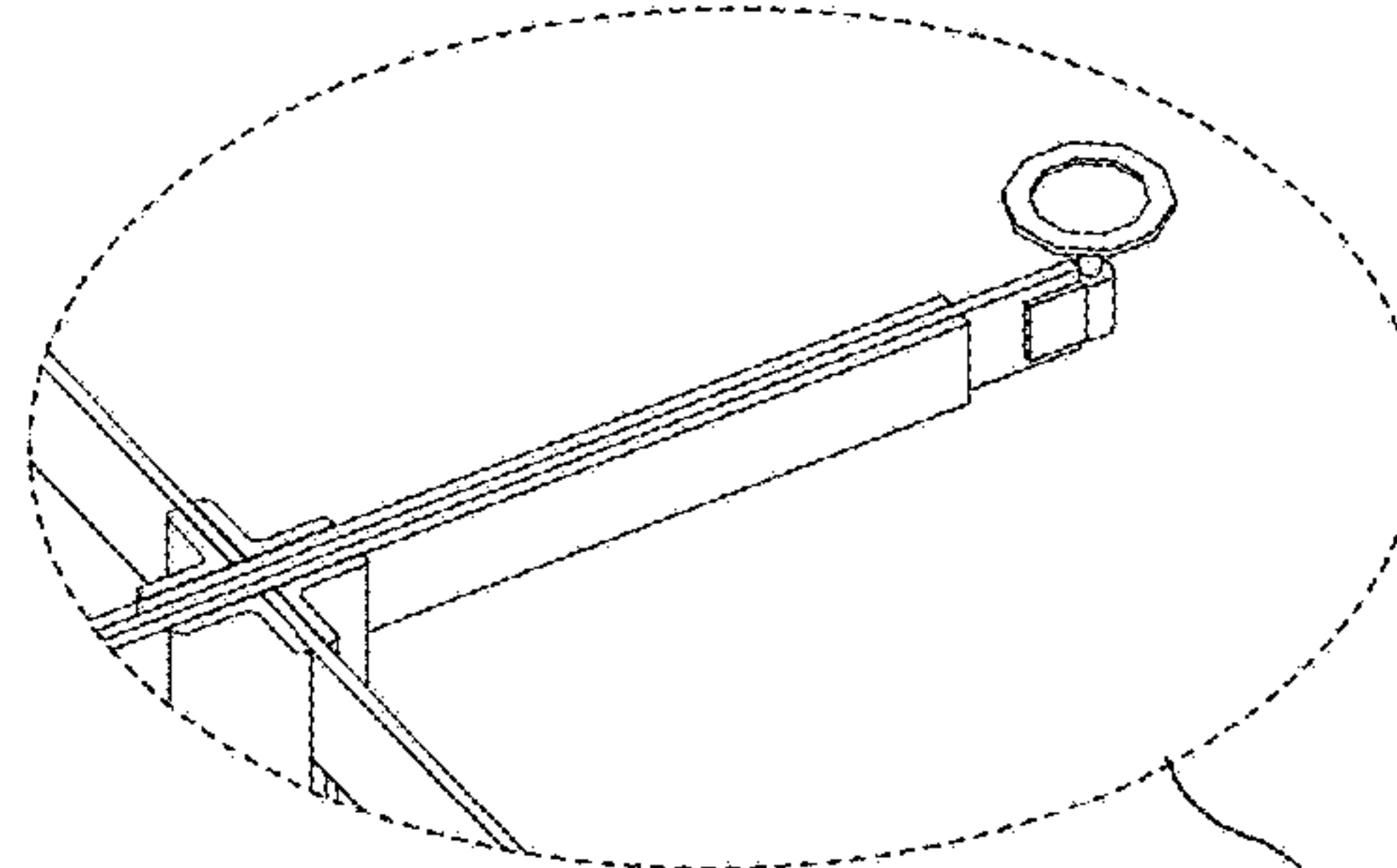
**Fig. 9**



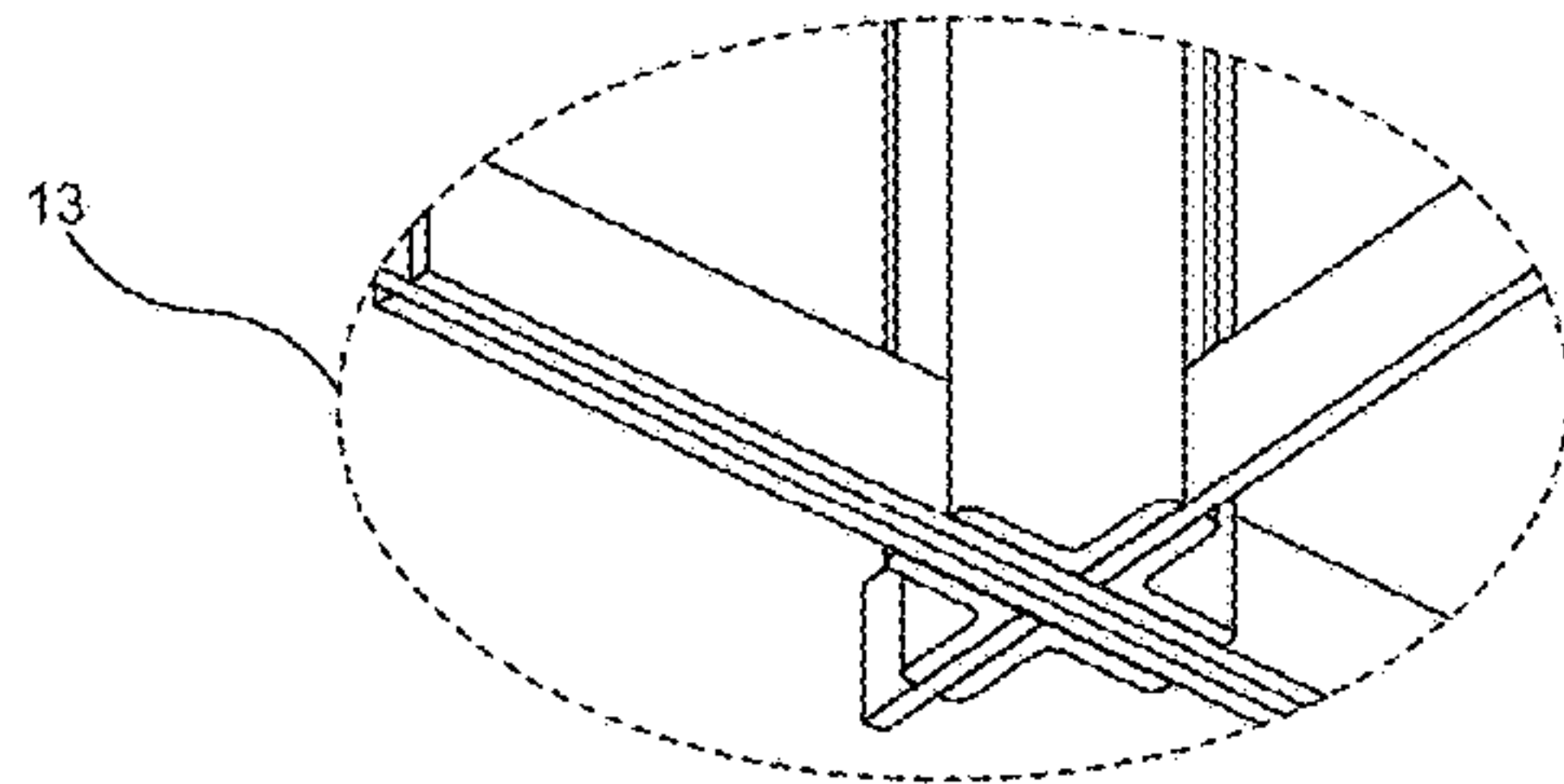
**Fig. 11**



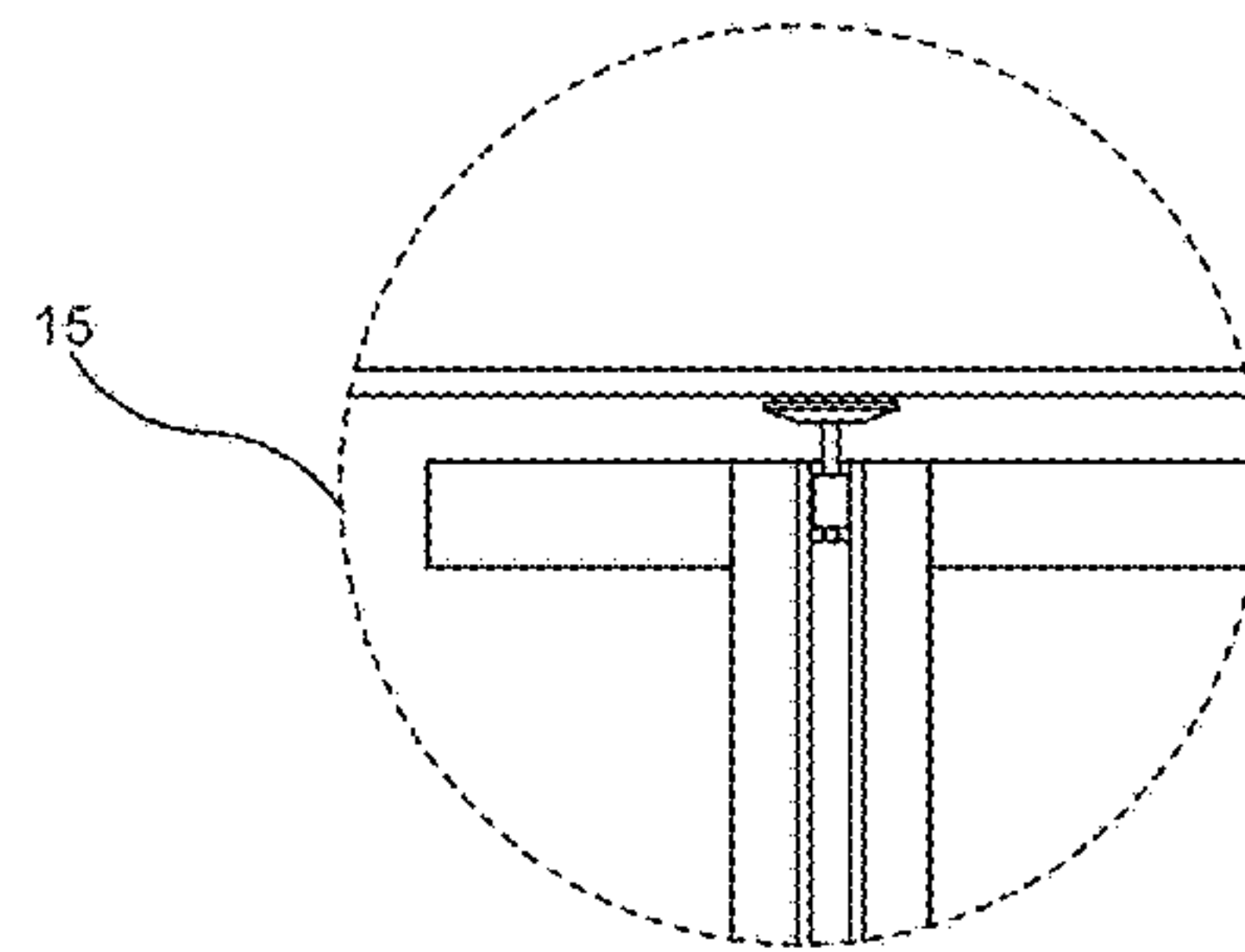
**Fig. 10**



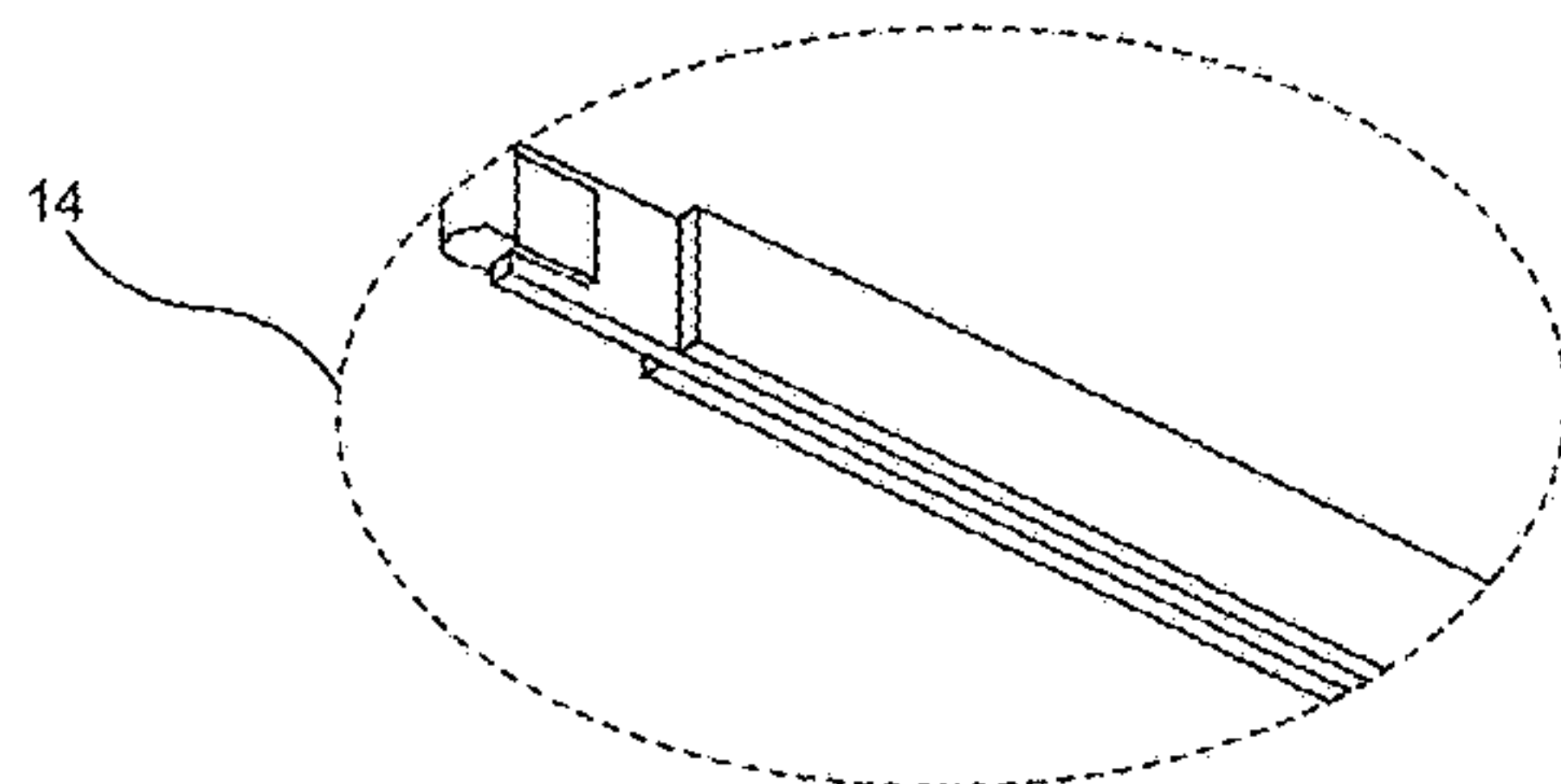
**Fig. 12**



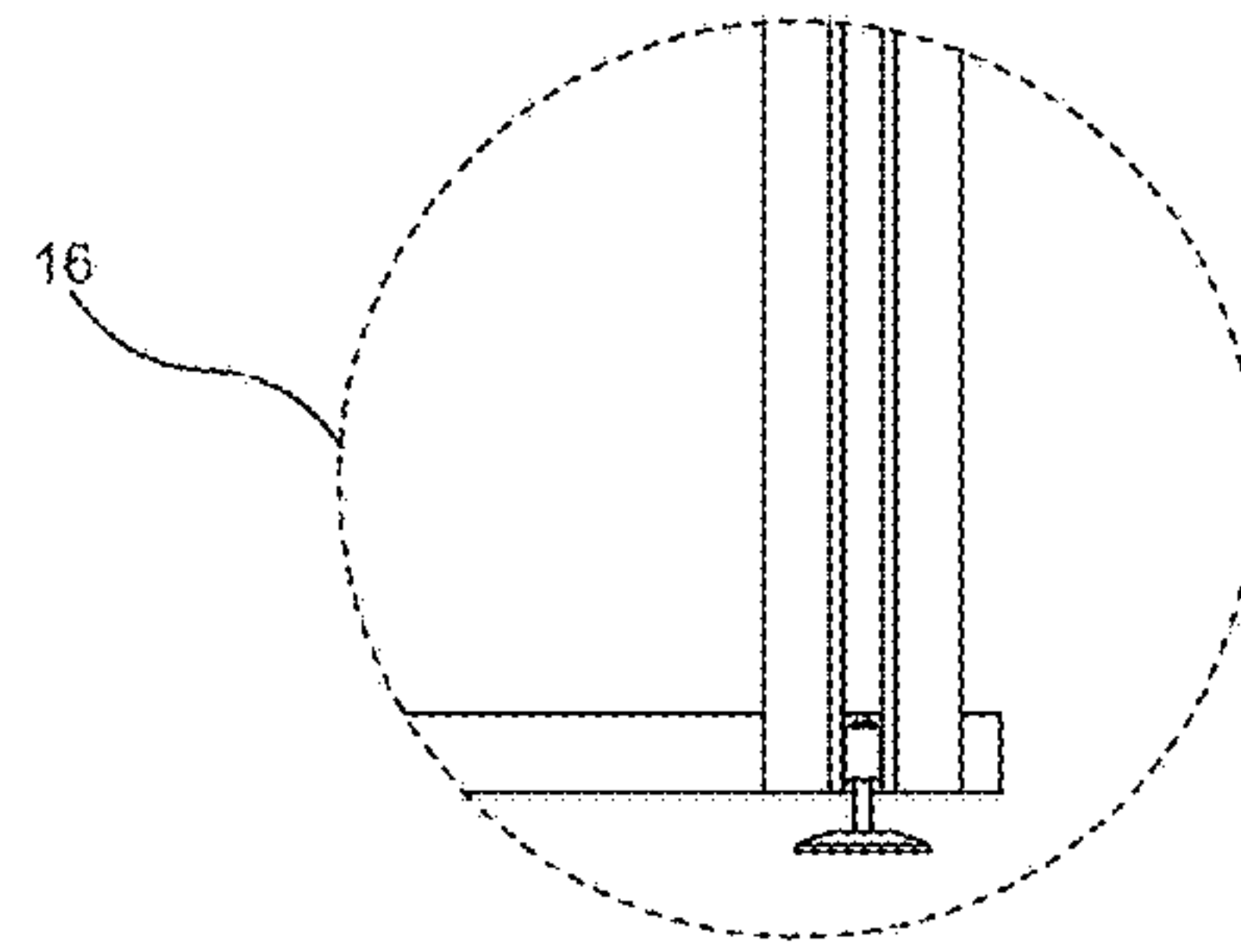
**Fig. 13**



**Fig. 15**



**Fig. 14**



**Fig. 16**