



US00D841378S

(12) **United States Design Patent** (10) **Patent No.:** **US D841,378 S**
Jacoby (45) **Date of Patent:** **** Feb. 26, 2019**

(54) **TABLE**

(71) Applicant: **Eric Jacoby Design, Inc**, Salt Lake City, UT (US)

(72) Inventor: **Eric Robert Jacoby**, Salt Lake City, UT (US)

(**) Term: **15 Years**

(21) Appl. No.: **29/599,925**

(22) Filed: **Apr. 7, 2017**

(51) **LOC (11) Cl.** **06-03**

(52) **U.S. Cl.**
USPC **D6/691.7**

(58) **Field of Classification Search**

USPC D6/336, 353, 368, 555, 641, 655, 655.1, D6/663, 664, 657, 672, 675, 675.1, 675.3, D6/686, 687, 688.11, 688.19, 691, 691.1, D6/691.9, 692, 692.2, 692.5, 692.6, 707, D6/707.12, 707.18, 707.19, 707.2, 708, D6/708.16, 708.17, 708.24, 709-709.22
CPC .. A47B 37/00; A47B 3/00; A47B 1/00; A47B 3/06; A47B 3/08; A47B 7/00; A47B 21/00; A47B 23/00; A47B 25/00; A47B 13/08; A47B 3/083; A47B 3/14; A47B 41/00; A47B 17/00; A47B 3/0809; A47B 3/0812; A47B 2013/026; A47B 2200/03; A47B 2200/00; A47B 2003/0821; A47C 3/045

See application file for complete search history.

(56) **References Cited**

U.S. PATENT DOCUMENTS

D96,633 S * 8/1935 Swanson D6/691.7
3,062,571 A * 11/1962 Goldman A47B 13/06
248/246
3,796,169 A * 3/1974 Bales A47B 3/0815
108/116

(Continued)

OTHER PUBLICATIONS

Coffee Table, posted at Facebook.com, posted on Jul. 1, 2017, site visited Jun. 13, 2018. online, available from internet: https://www.facebook.com/ericjacobydesign/photos/a.1421978994555164.1073741833.1311754125577652/1421979254555138/?type=3&theater.*

(Continued)

Primary Examiner — Mary Ann Calabrese

Assistant Examiner — Catherine Ho

(74) *Attorney, Agent, or Firm* — Fabian VanCott; Brian J. Riddle

(57) **CLAIM**

The ornamental design for a table, as shown.

DESCRIPTION

FIG. 1 is a top axonometric view of a table showing the new design;

FIG. 2 is a bottom axonometric view of the table;

FIG. 3 is a top plan view of the table;

FIG. 4 is a bottom plan view of the table;

FIG. 5 is a front elevation view of the table;

FIG. 6 is a rear elevation view of the table;

FIG. 7 is a right-side elevation view of the table;

FIG. 8 is a left-side elevation view of the table;

FIG. 9 is an enlarged fragment of the portion of the table of FIG. 1 and labeled 9;

FIG. 10 is an enlarged fragment of the portion of the table of FIG. 1 and labeled 10;

FIG. 11 is an enlarged fragment of the portion of the table of FIG. 2 and labeled 11;

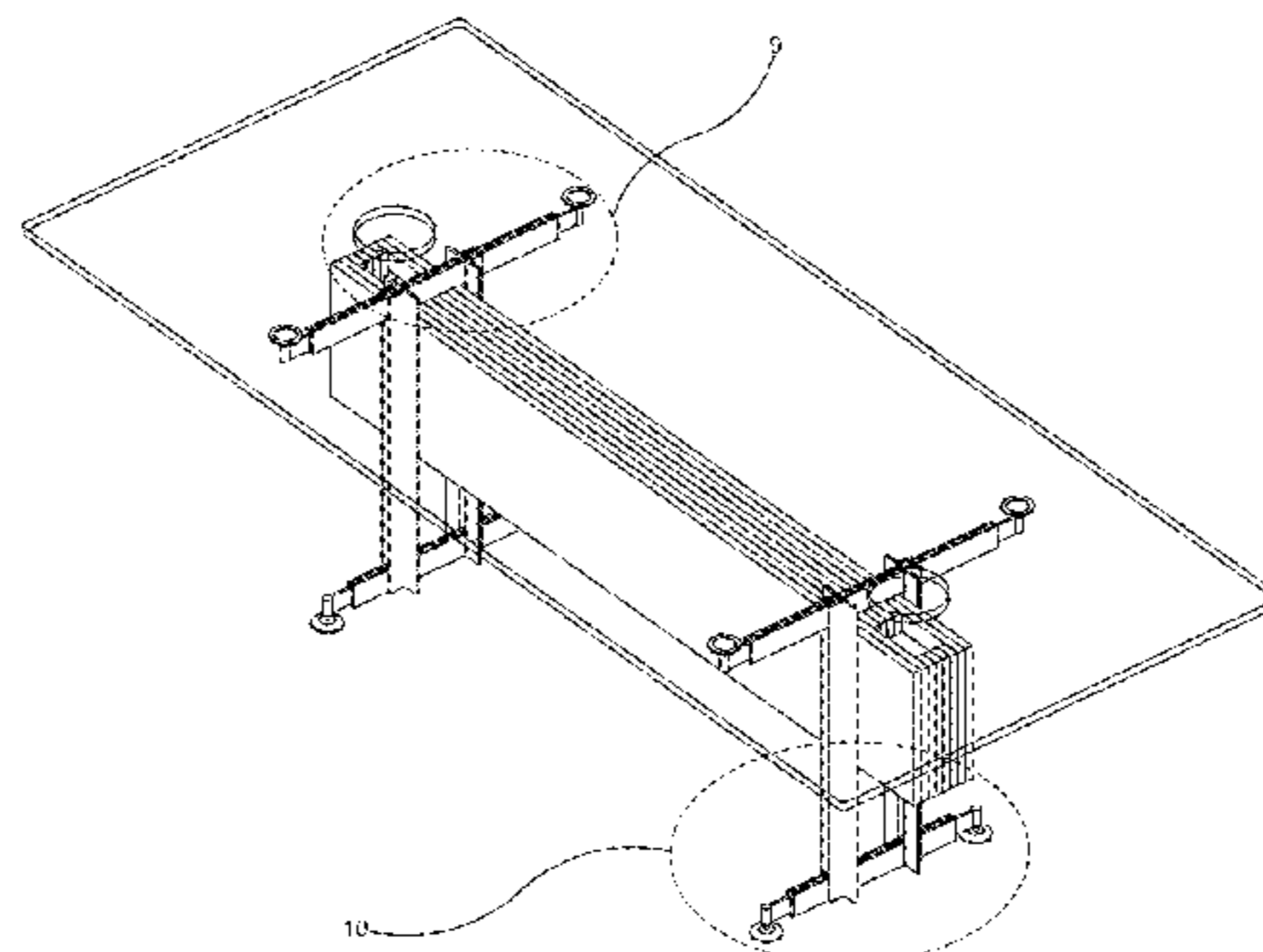
FIG. 12 is an enlarged fragment of the portion of the table of FIG. 2 and labeled 12;

FIG. 13 is an enlarged fragment of the portion of the table of FIG. 3 and labeled 13;

FIG. 14 is an enlarged fragment of the portion of the table of FIG. 4 and labeled 14; and,

FIG. 15 is an enlarged fragment of the portion of the table of FIG. 5 and labeled 15.

1 Claim, 12 Drawing Sheets



(56)

References Cited

U.S. PATENT DOCUMENTS

4,067,266	A *	1/1978	Lafargue	A47B 3/00 108/172
D306,109	S *	2/1990	Borsani	D6/691.7
D345,475	S *	3/1994	Ferguson	D6/691.7
D422,812	S *	4/2000	Thompson	D6/708
D512,251	S *	12/2005	Sakurai	D6/708
D564,260	S *	3/2008	deCarolis	D6/675.1
D586,591	S *	2/2009	Stoller	D6/708
D748,418	S *	2/2016	Johnson	D6/707.19
D811,785	S *	3/2018	Lim	D6/691.4
2015/0282605	A1 *	10/2015	Wu	A47B 3/002 248/188.2

OTHER PUBLICATIONS

Dining Table, posted at Facebook.com, posted on Jul. 1, 2017, site visited Jun. 13, 2018. online, available from internet: <https://www.facebook.com/ericjacobydesign/photos/ms.c>.

eJwzNDEytDS3MLcwNDlytDA10jOECIhCBAwBcj4Gtw~-.bps.
a.1421978424555221.1073741832.1311754125577652/
1421978781221852/?type=3&theater.*

Conference Table, posted at Facebook.com, posted on Jul. 1, 2017, site visited Jun. 13, 2018. online, available from internet: https://www.facebook.com/ericjacobydesign/photos/a.1421975494555514.1073741830.1311754125577652/1421977367888660/?type=3&theater.*

* cited by examiner

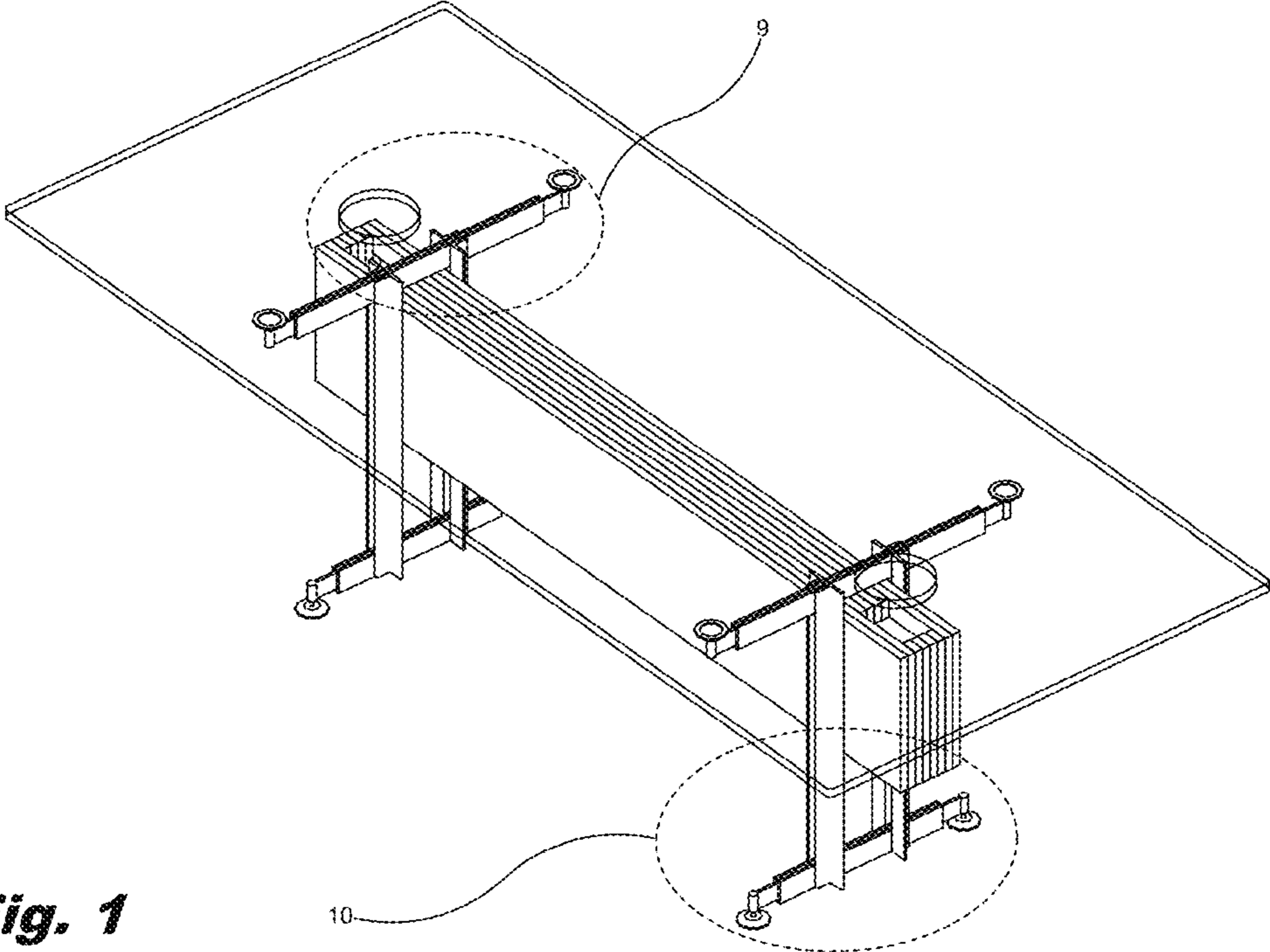


Fig. 1

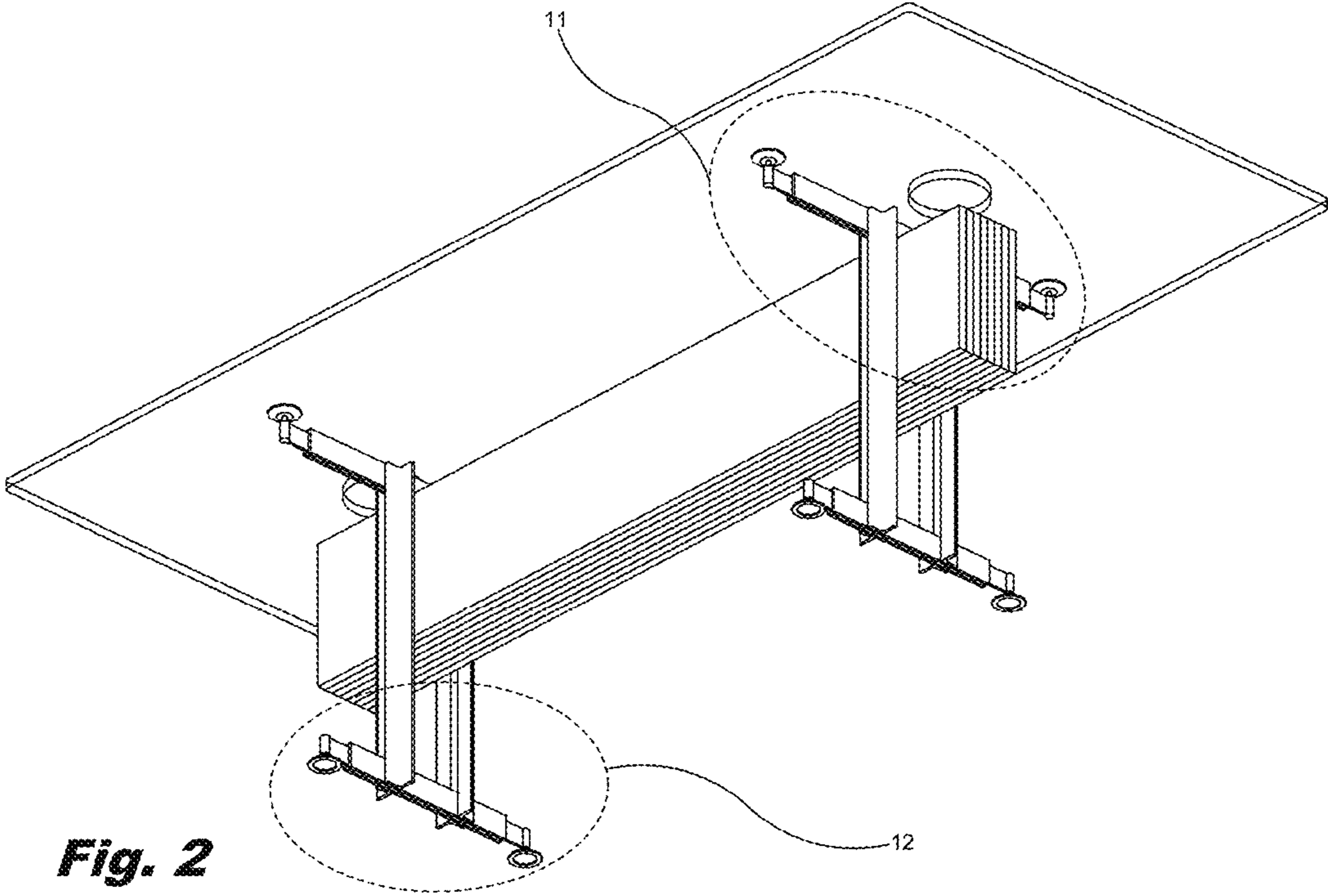


Fig. 2

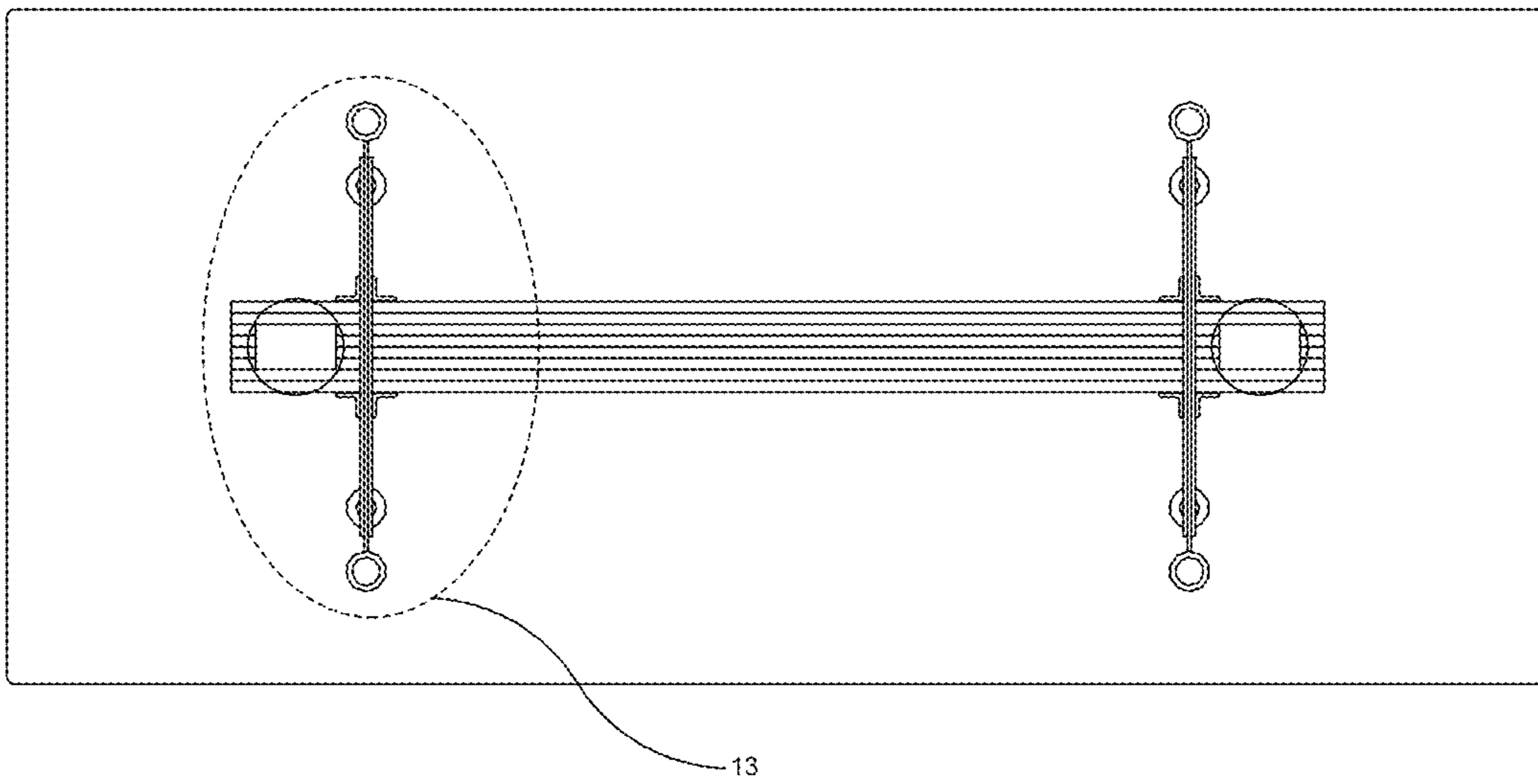


Fig. 3

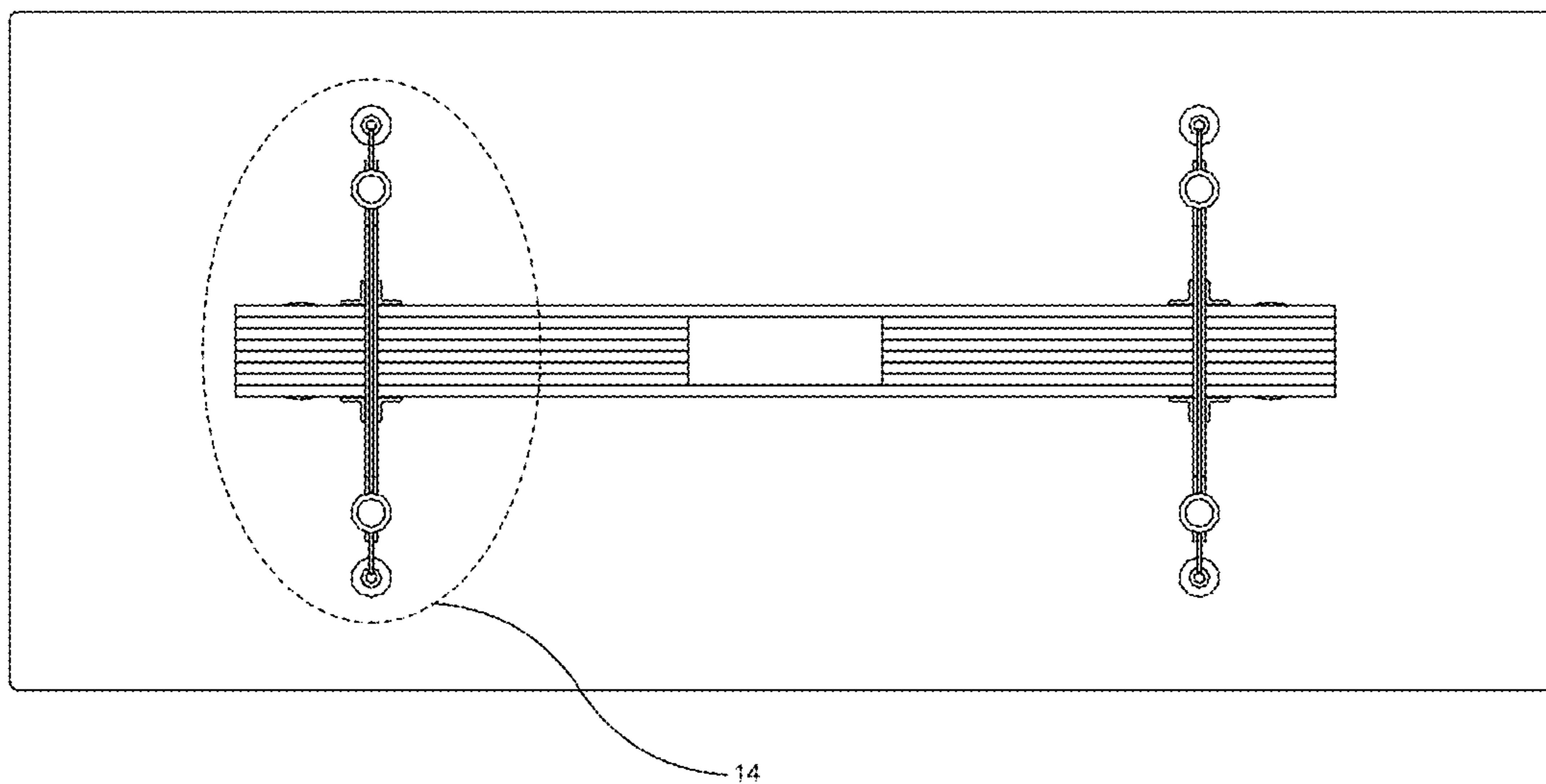


Fig. 4

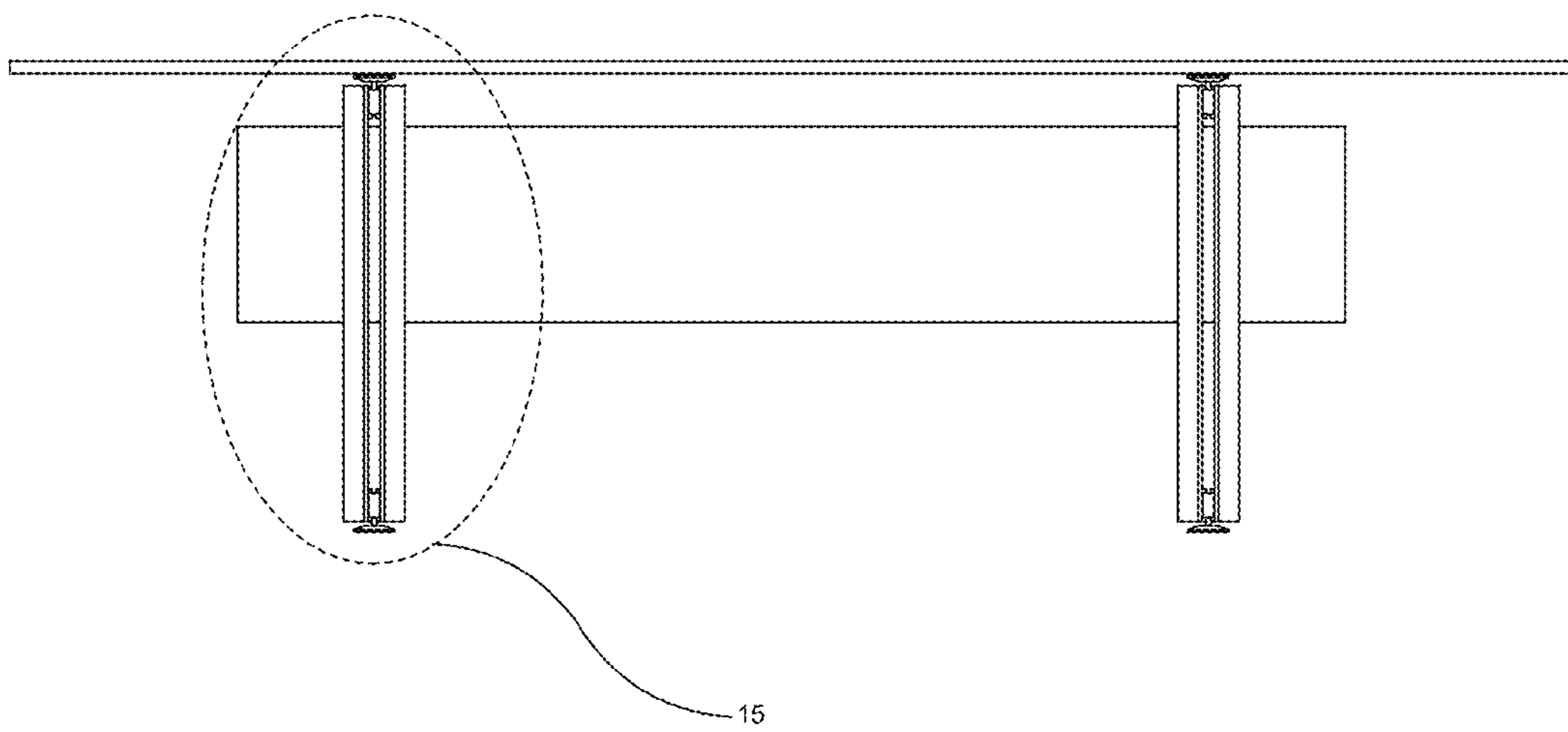


Fig. 5

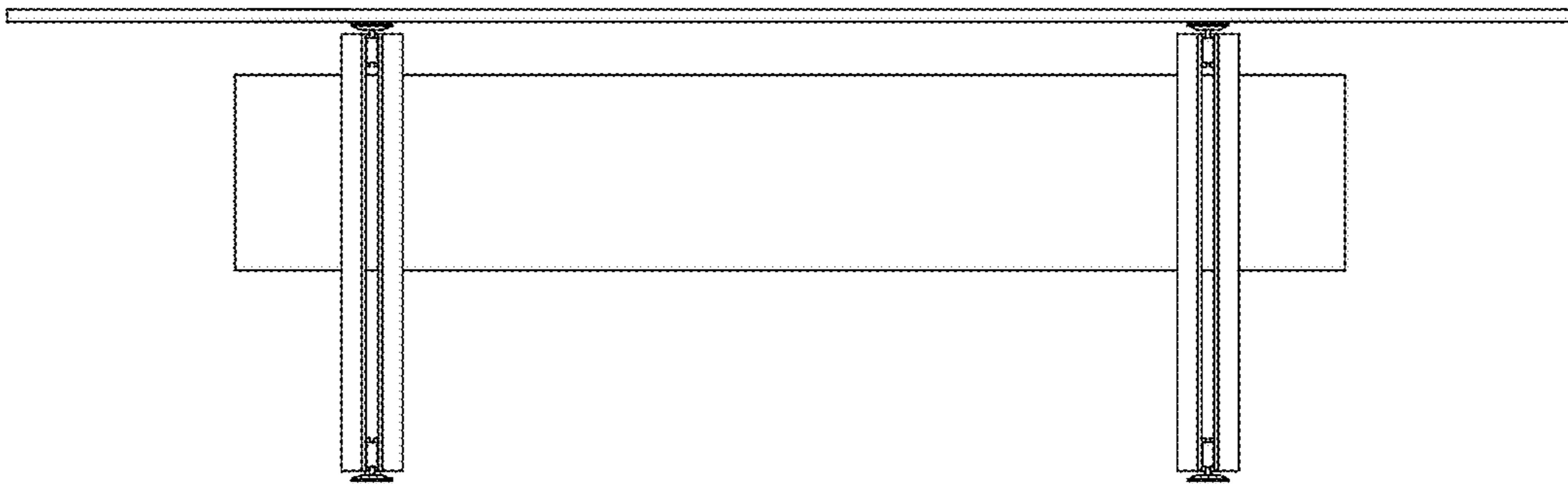


Fig. 6

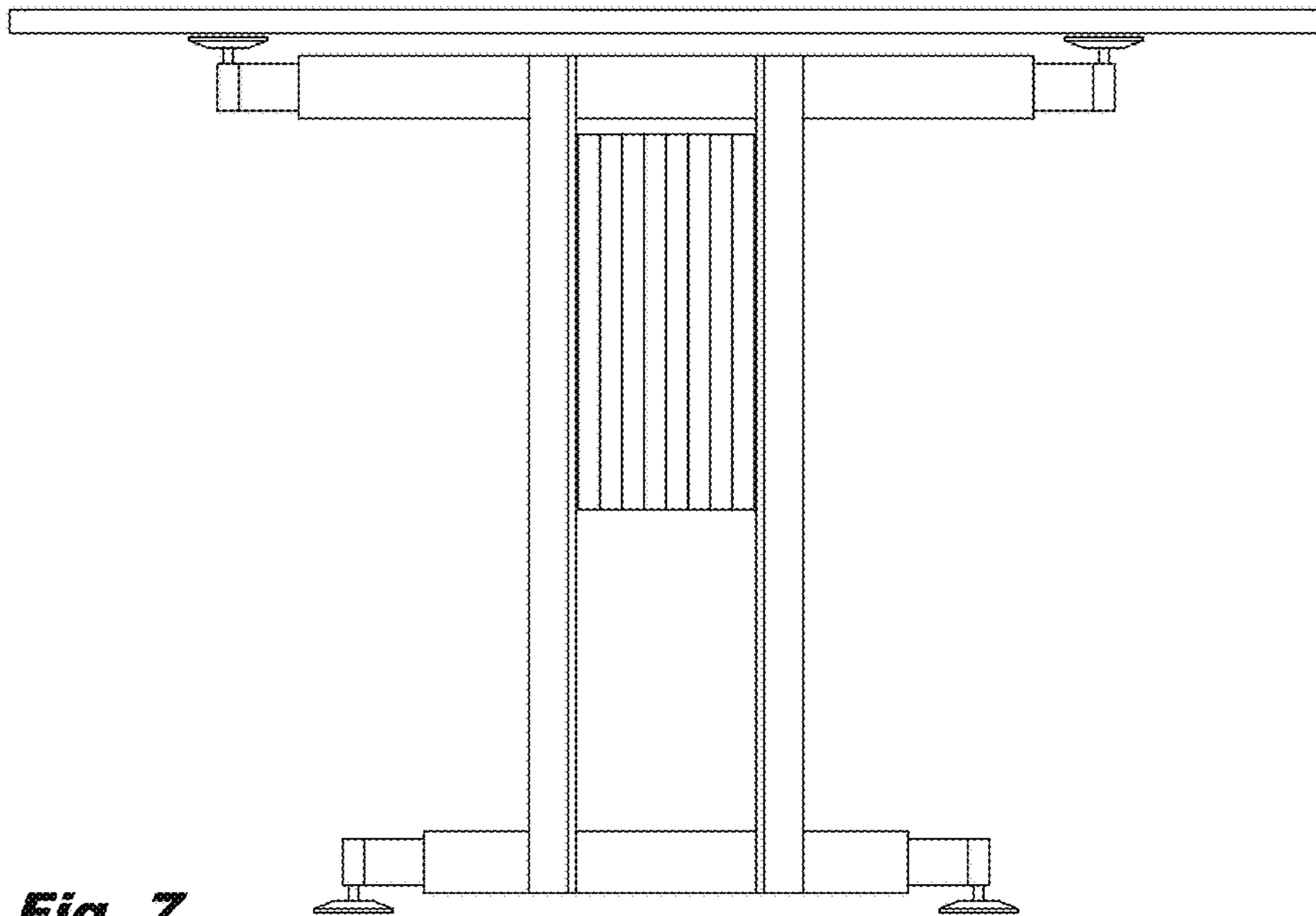


Fig. 7

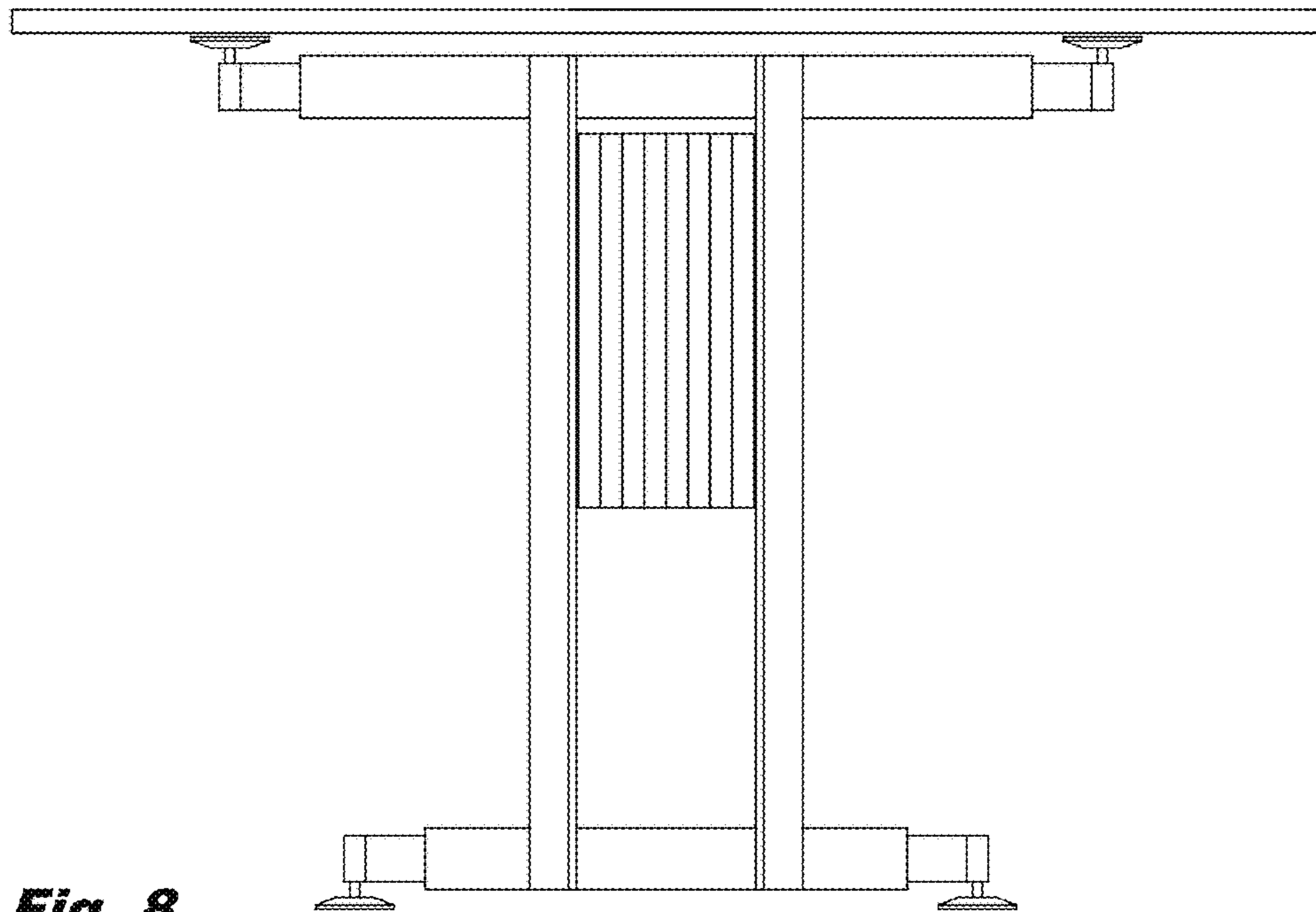


Fig. 8

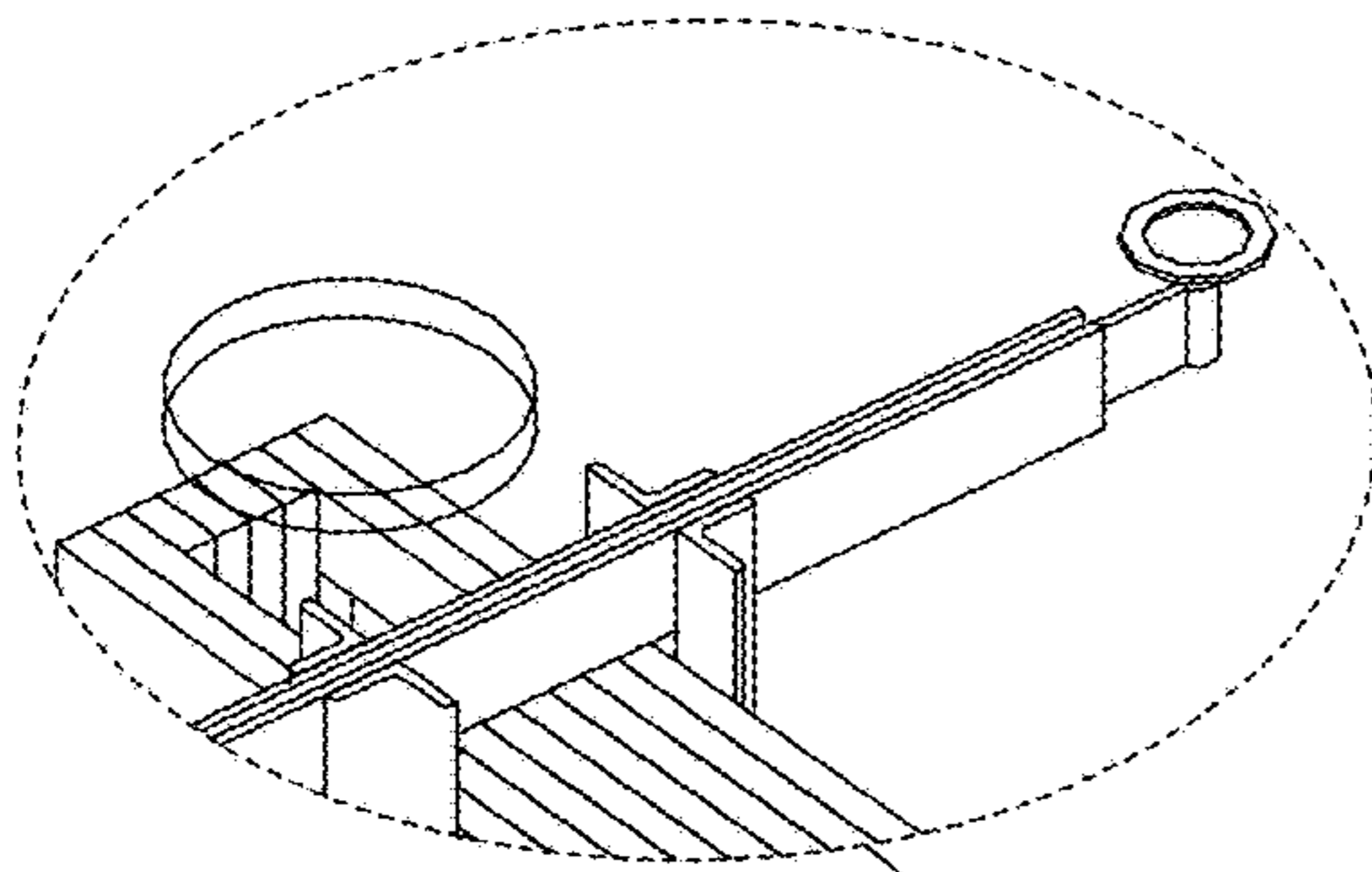


Fig. 9

9

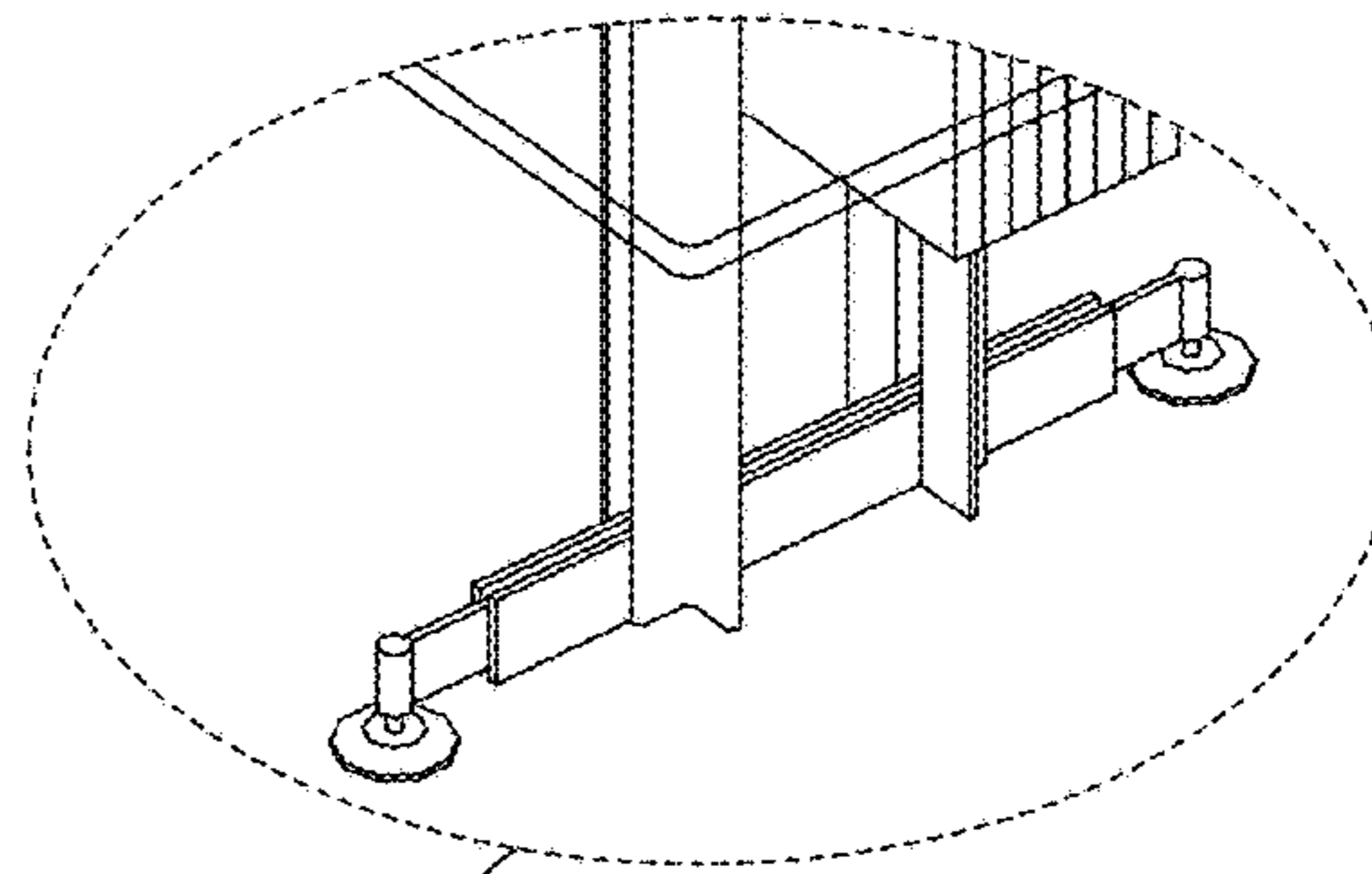


Fig. 10

10

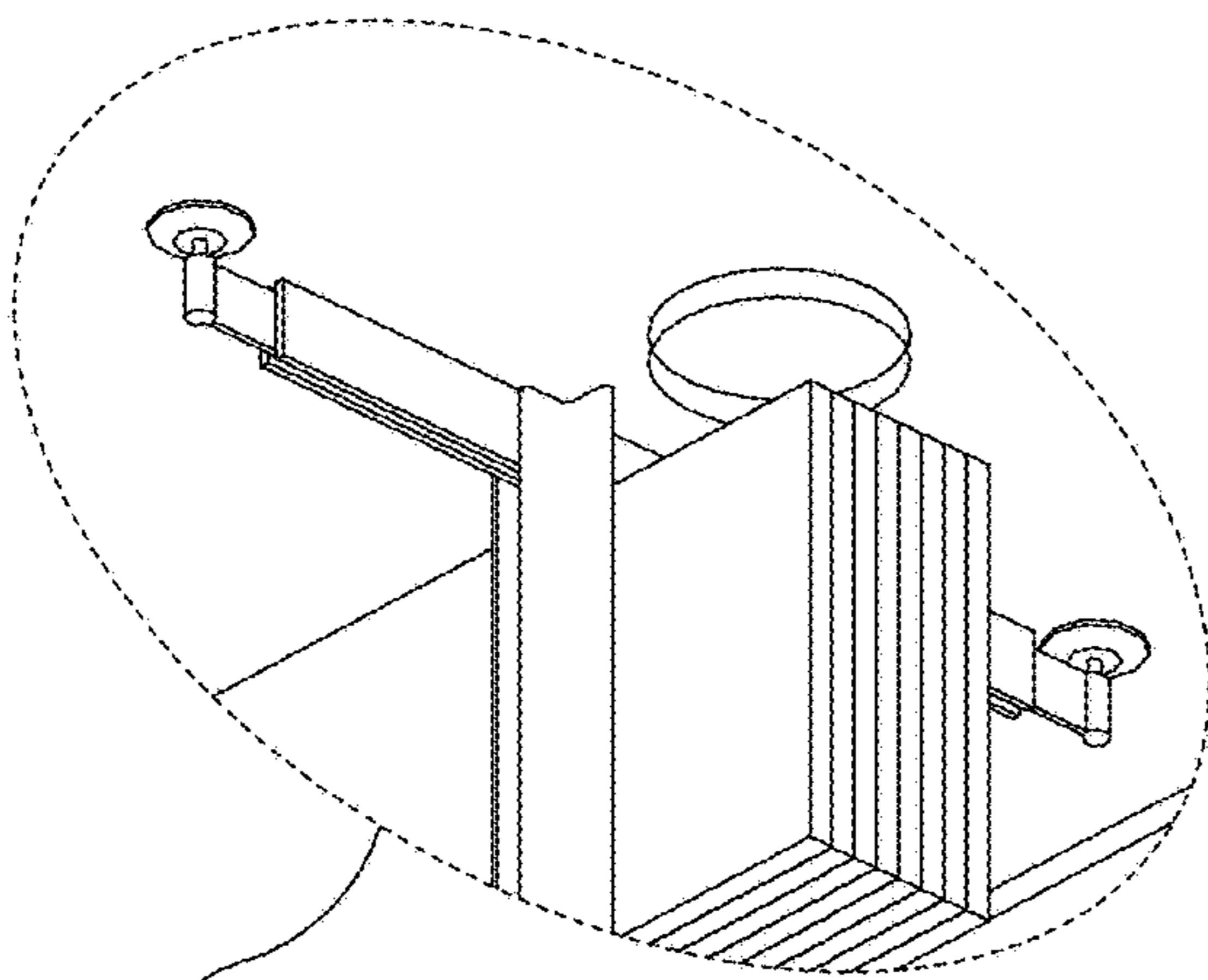


Fig. 11

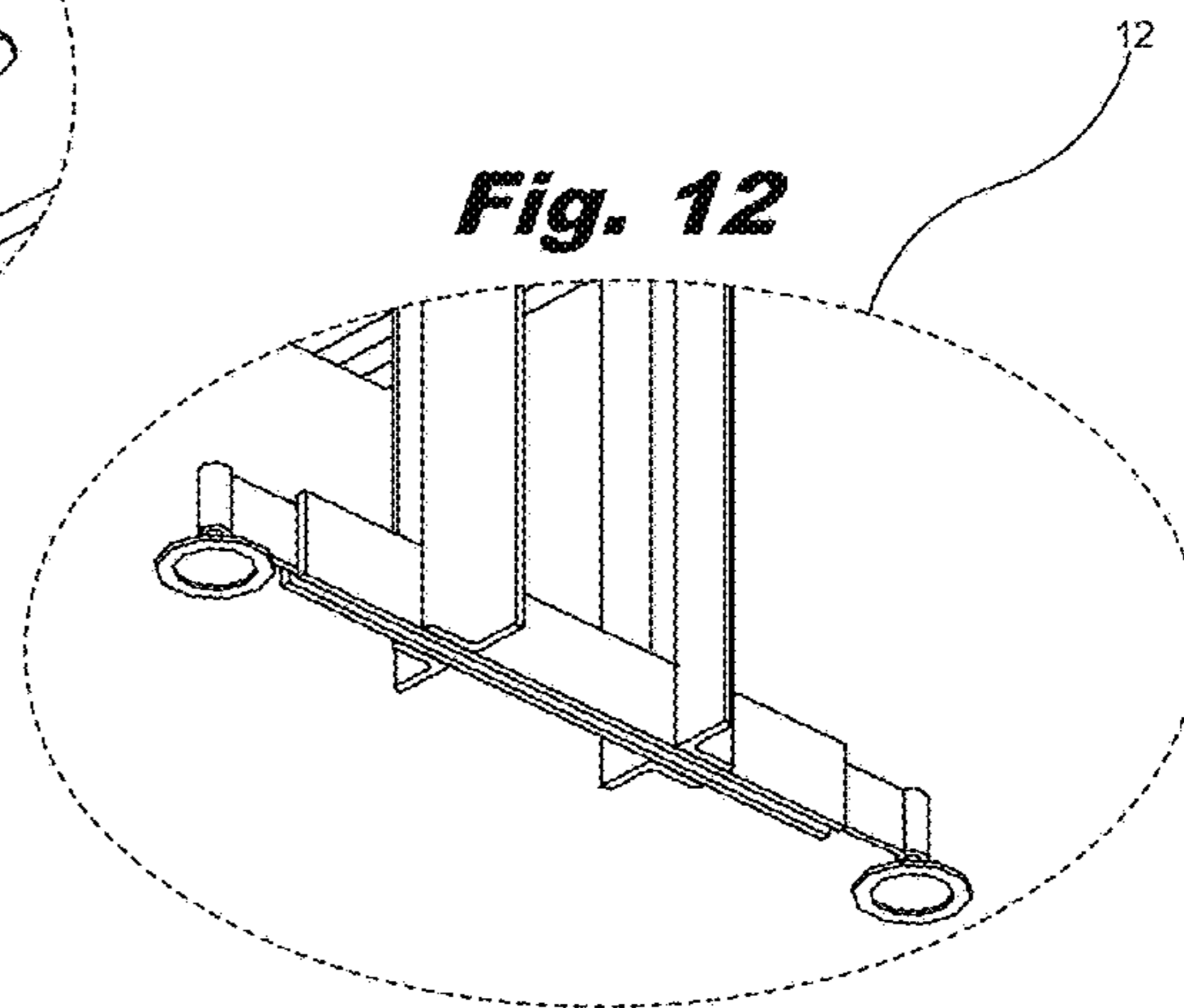


Fig. 12

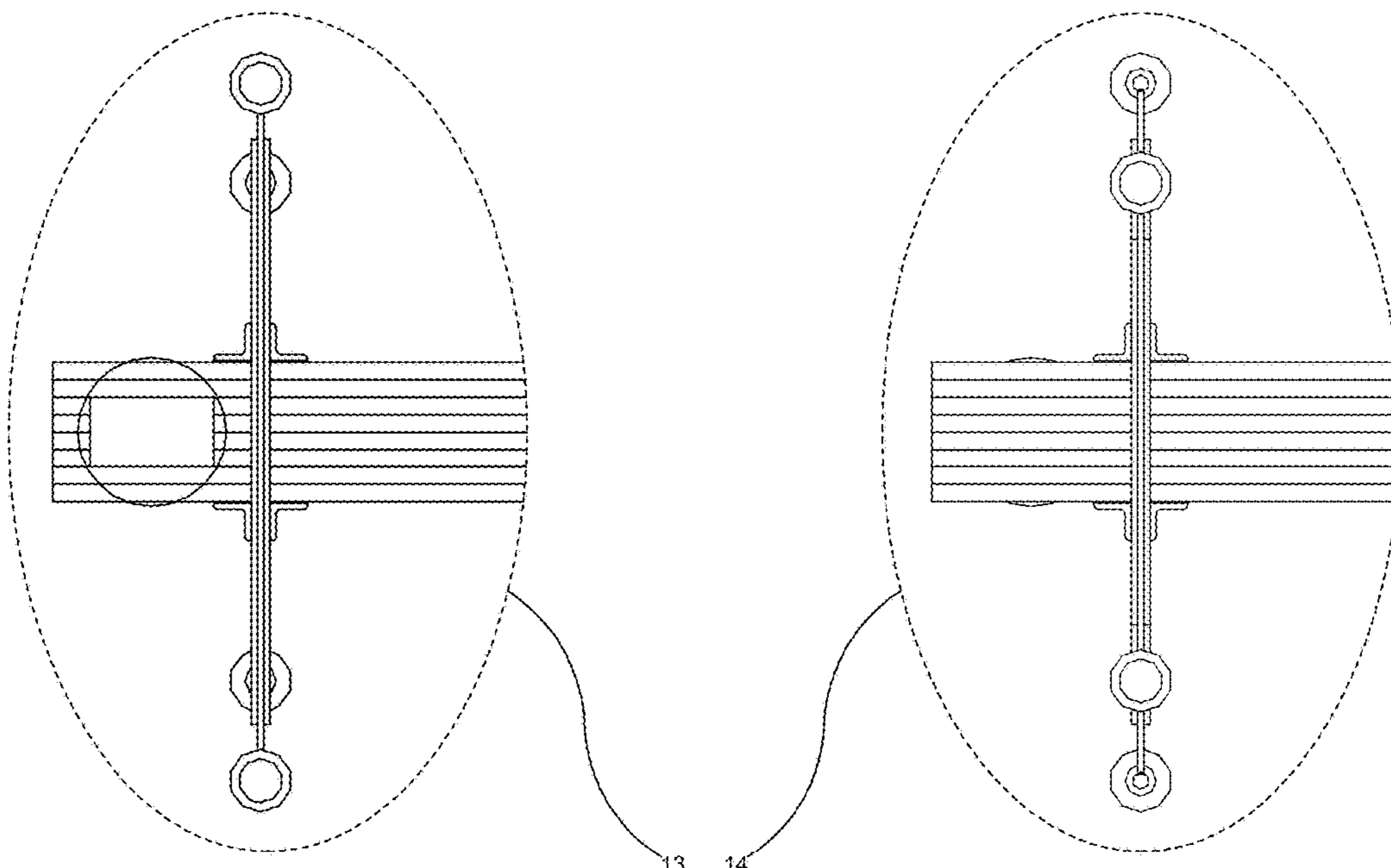


Fig. 13

Fig. 14

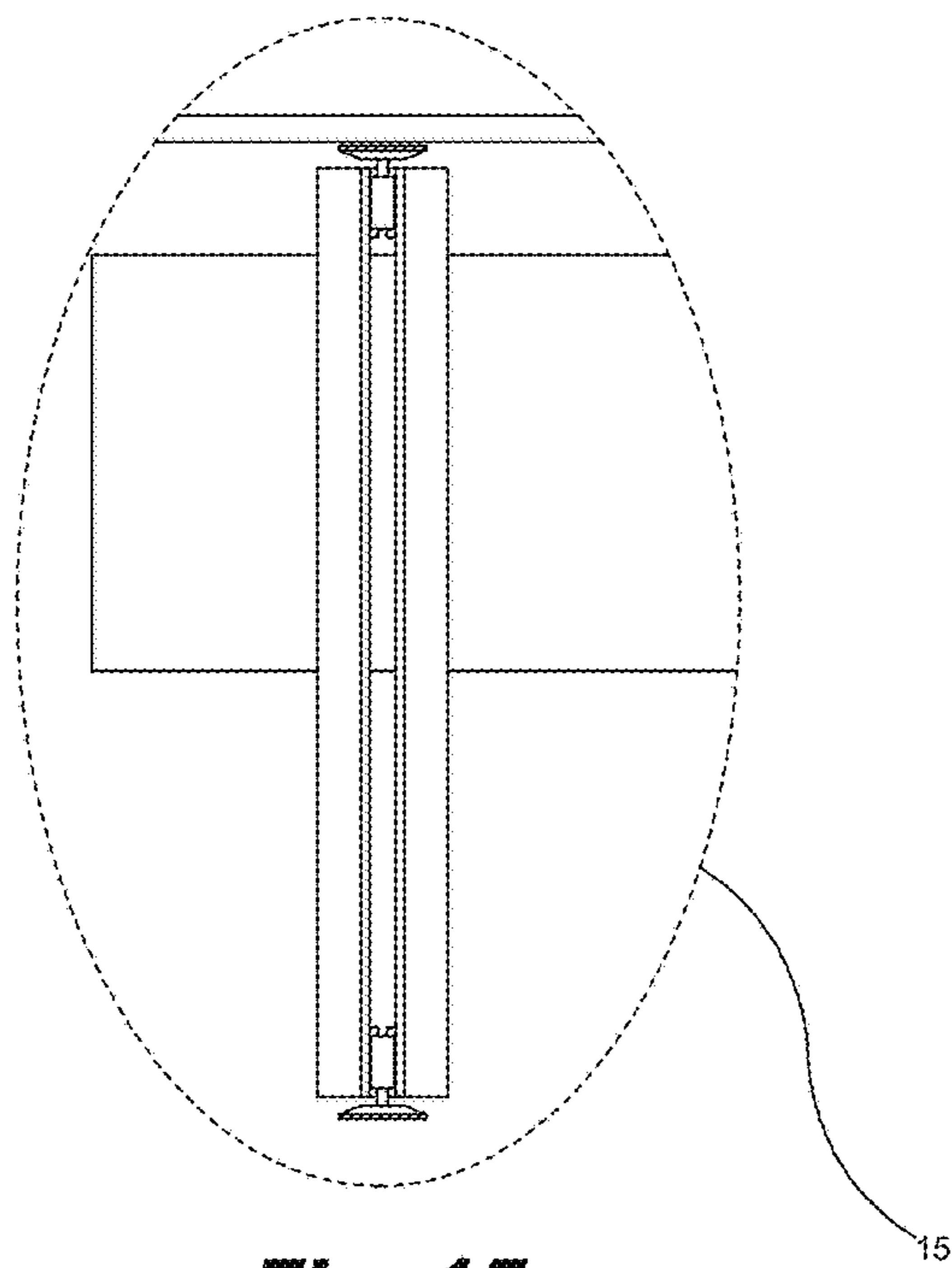


Fig. 15

15