



US00D841375S

(12) **United States Design Patent**
Moffat

(10) **Patent No.:** **US D841,375 S**

(45) **Date of Patent:** **** Feb. 26, 2019**

(54) **DUAL HEIGHT WORKBENCH**

(71) Applicant: **Gary Moffat**, Arlington, WA (US)

(72) Inventor: **Gary Moffat**, Arlington, WA (US)

(**) Term: **15 Years**

(21) Appl. No.: **29/623,730**

(22) Filed: **Oct. 26, 2017**

(51) **LOC (11) Cl.** **06-03**

(52) **U.S. Cl.**
USPC **D6/684**

(58) **Field of Classification Search**

USPC D6/655, 656, 657, 672, 675, 675.2,
D6/675.5, 681, 681.1, 681.2, 681.3, 684,
D6/691; D25/62, 66, 67
CPC A47B 3/002; A47B 3/087; A47B 3/0912;
A47B 13/081; A47B 13/088; A47B
13/16; B25H 1/02; B25H 1/04; B25H
1/06; B25H 1/08; B25H 1/10; B25H
1/12; B25H 1/14

See application file for complete search history.

(56) **References Cited**

U.S. PATENT DOCUMENTS

- 1,960,181 A * 5/1934 Dreier A47B 3/0915
108/132
- 4,534,447 A * 8/1985 Champigny E04G 1/34
182/119
- 5,086,875 A * 2/1992 Shreve, III E04G 1/34
182/119
- D346,709 S * 5/1994 Nagao D6/684
- 5,555,954 A * 9/1996 Swiderski E04G 1/34
182/119
- 5,622,463 A * 4/1997 Testa B23D 61/003
182/129
- 5,634,649 A * 6/1997 Breining B25H 1/04
280/47.35
- 5,996,961 A * 12/1999 Johnson A47B 9/16
248/157

- D461,330 S * 8/2002 Wang D6/349
- 6,729,371 B2 * 5/2004 Sheahan B25H 1/02
108/59
- 6,854,314 B2 * 2/2005 Cleave B21D 5/04
144/286.1
- D503,570 S * 4/2005 Anderson D6/349
- 7,077,365 B2 * 7/2006 Vincak B05B 13/0285
248/122.1
- D535,491 S * 1/2007 Wise D6/684
- D594,252 S * 6/2009 Gehring D6/675.2
- D605,434 S * 12/2009 Daino D6/708
- D609,498 S * 2/2010 Wang D6/675.5
- 8,052,106 B2 * 11/2011 Knudsen B25H 1/04
248/170
- 8,186,777 B2 * 5/2012 Broemsen B08B 15/023
312/209
- 8,210,312 B1 * 7/2012 Tetreault, Jr. E06C 7/16
182/118

(Continued)

Primary Examiner — John Windmuller

Assistant Examiner — Steven J Czyz

(74) *Attorney, Agent, or Firm* — Dean Craine

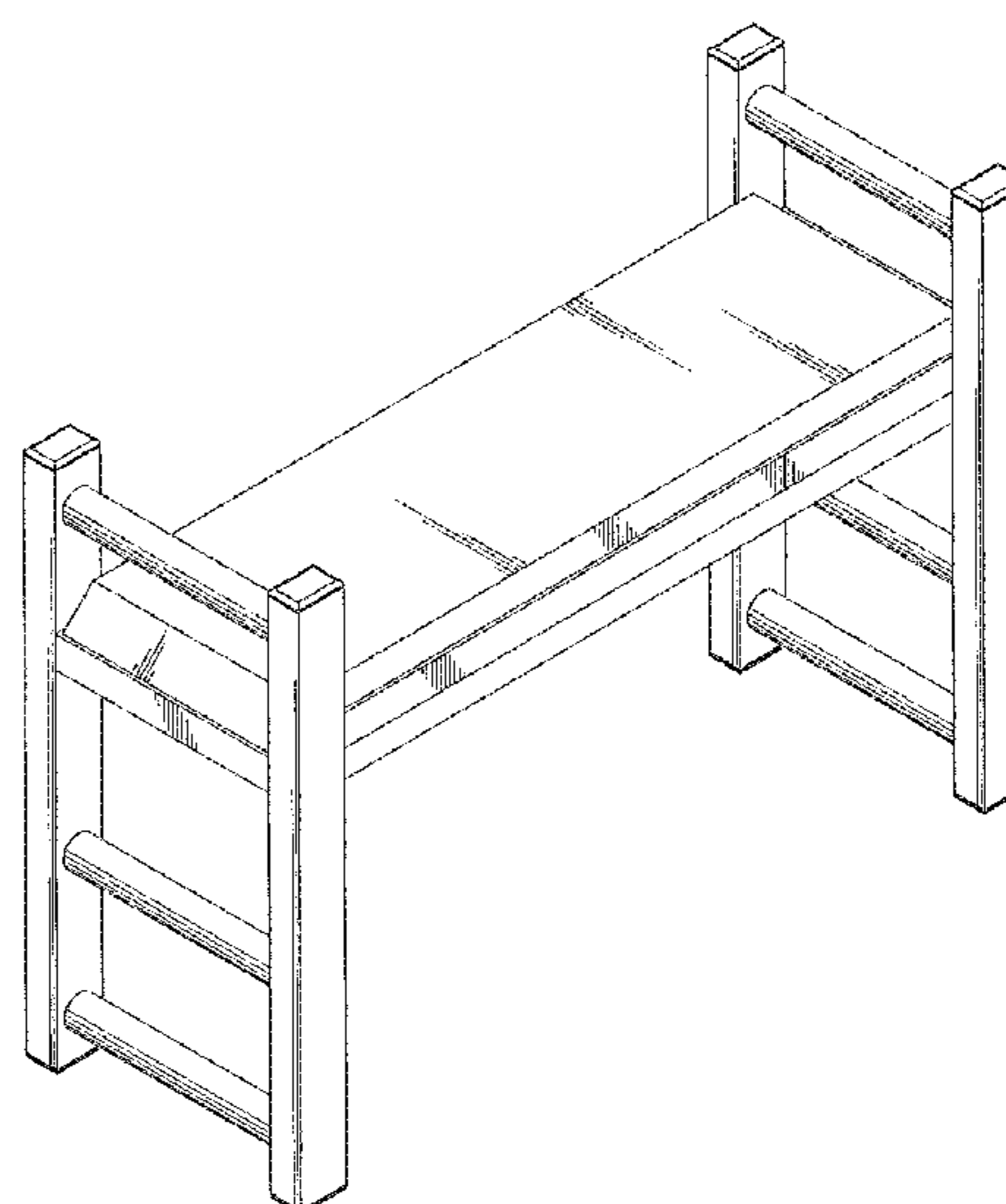
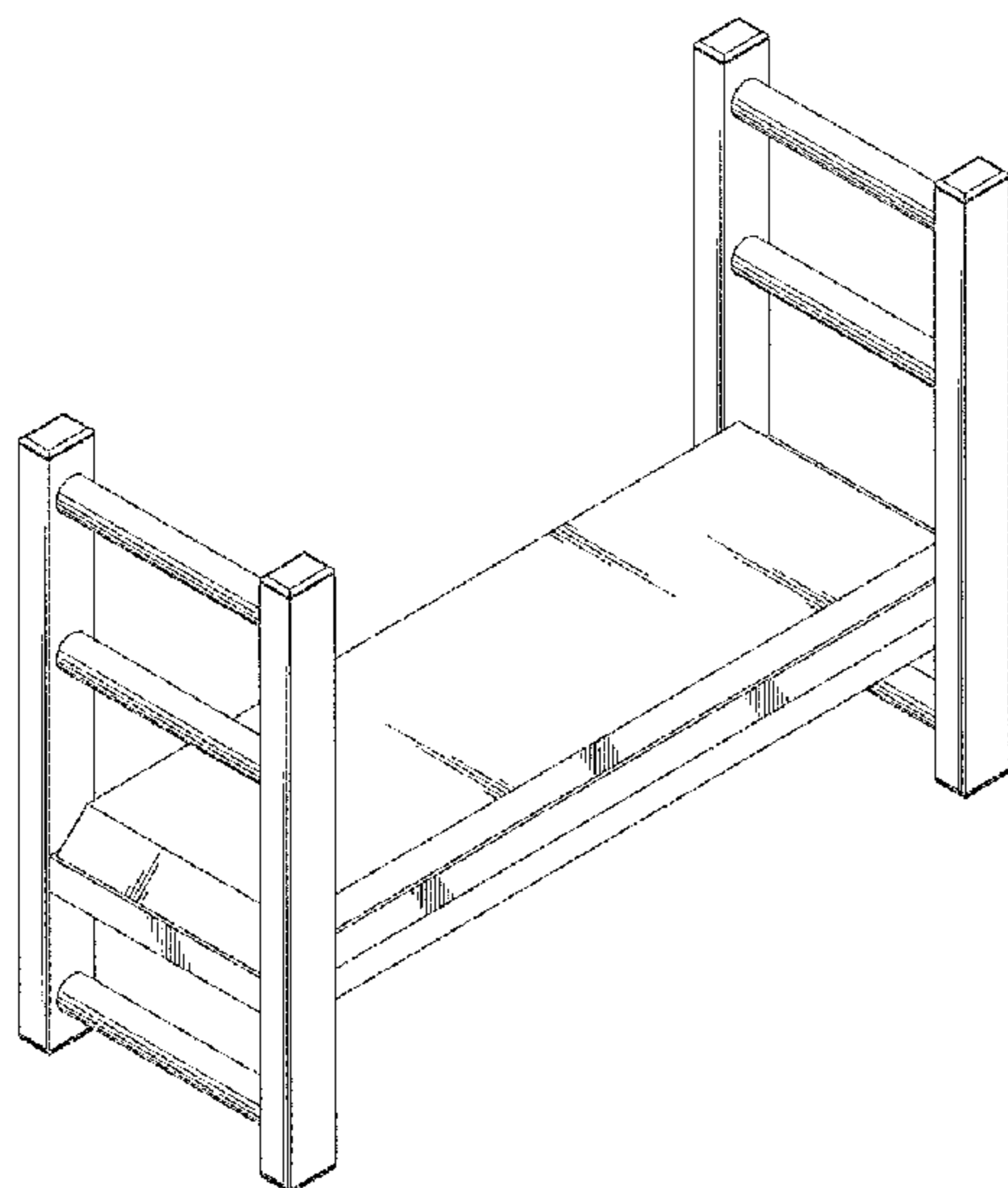
(57) **CLAIM**

The ornamental design for a dual height workbench, as shown and described.

DESCRIPTION

FIG. 1 is a top perspective view of a dual height workbench; FIG. 2 is a top, perspective view of the dual height workbench, shown with the horizontal step in an alternate position; FIG. 3 is a top plan view of the dual height workbench as shown in FIG. 1; FIG. 4 is a side view thereof; FIG. 5 is a bottom view thereof; FIG. 6 is another side view thereof; FIG. 7 is a front elevation view thereof; and, FIG. 8 is a rear elevation view thereof.

1 Claim, 3 Drawing Sheets



(56)

References Cited

U.S. PATENT DOCUMENTS

8,381,873	B2 *	2/2013	Cross	E06C 1/39 182/119
8,490,747	B2 *	7/2013	Winslow	E04G 5/003 182/118
9,050,718	B2 *	6/2015	Cole	A47B 45/00
D756,693	S *	5/2016	Shah	D6/684
D776,826	S *	1/2017	Foley	E04G 1/34 D25/66
D781,083	S *	3/2017	Zhu	D6/684
9,682,470	B2 *	6/2017	Helm	B25H 1/14
9,770,097	B2 *	9/2017	Ehrreich	A47B 5/04
D801,736	S *	11/2017	Paul	D6/684
10,035,255	B2 *	7/2018	Cindric	B25H 1/04

* cited by examiner

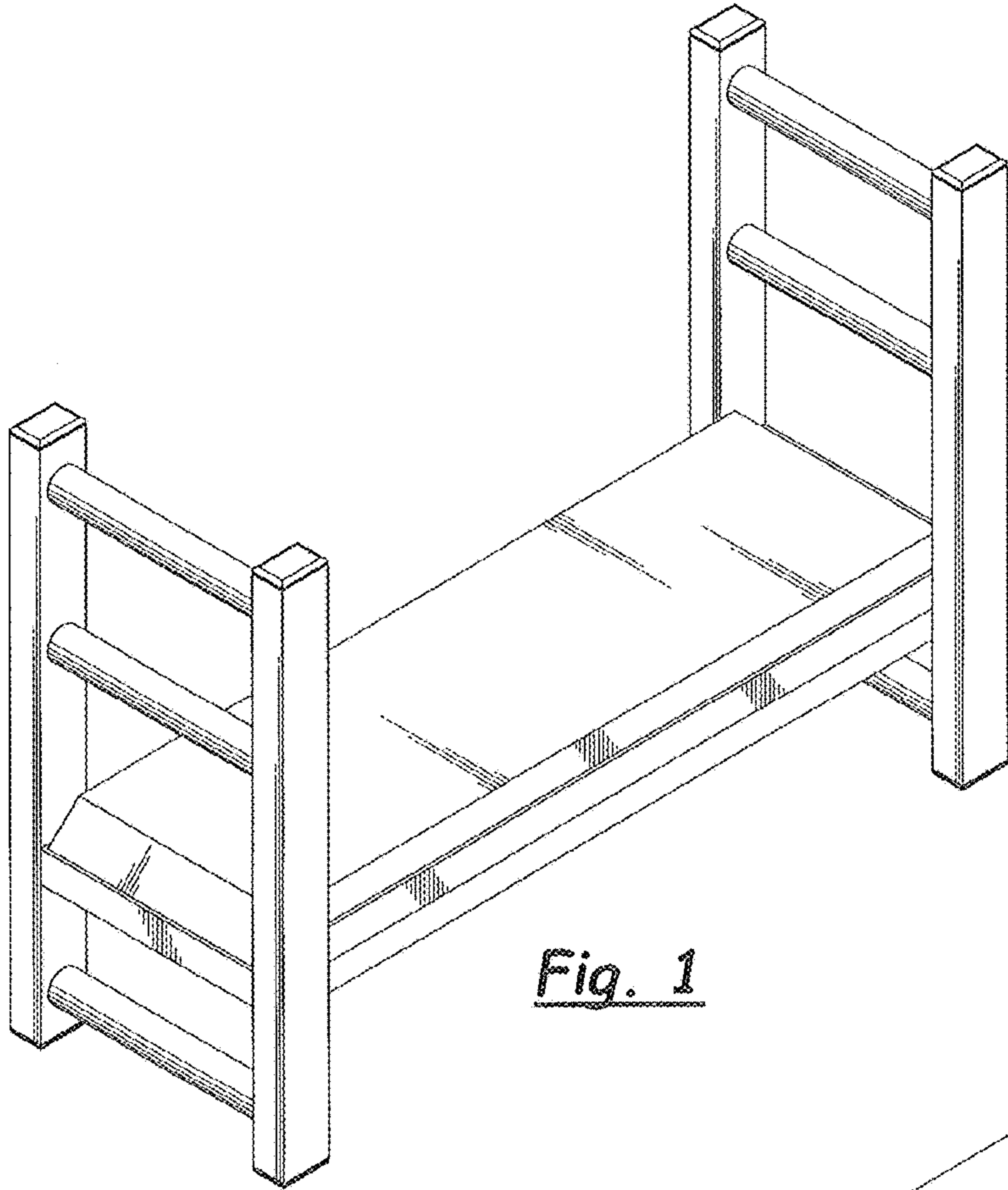


Fig. 1

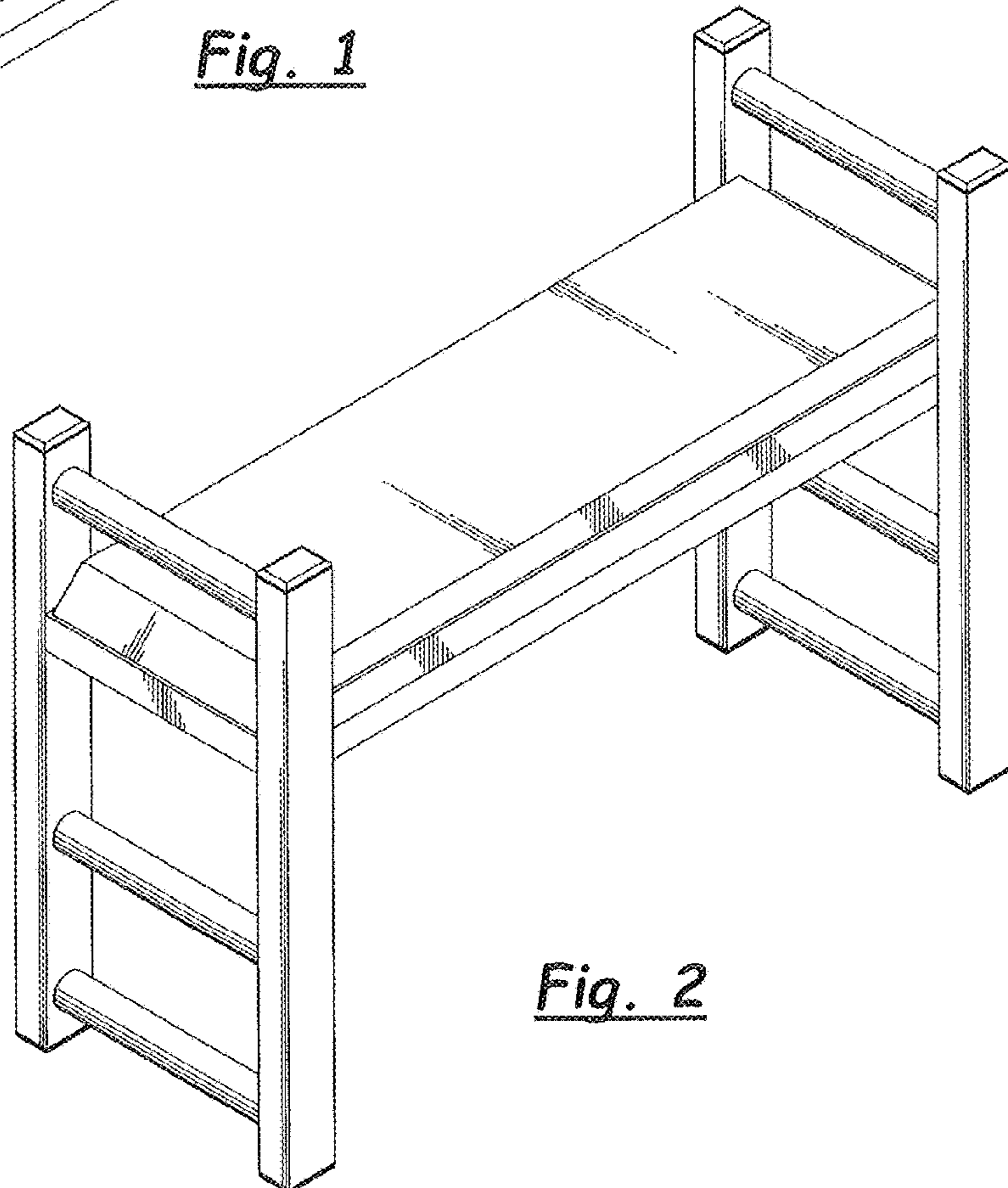


Fig. 2

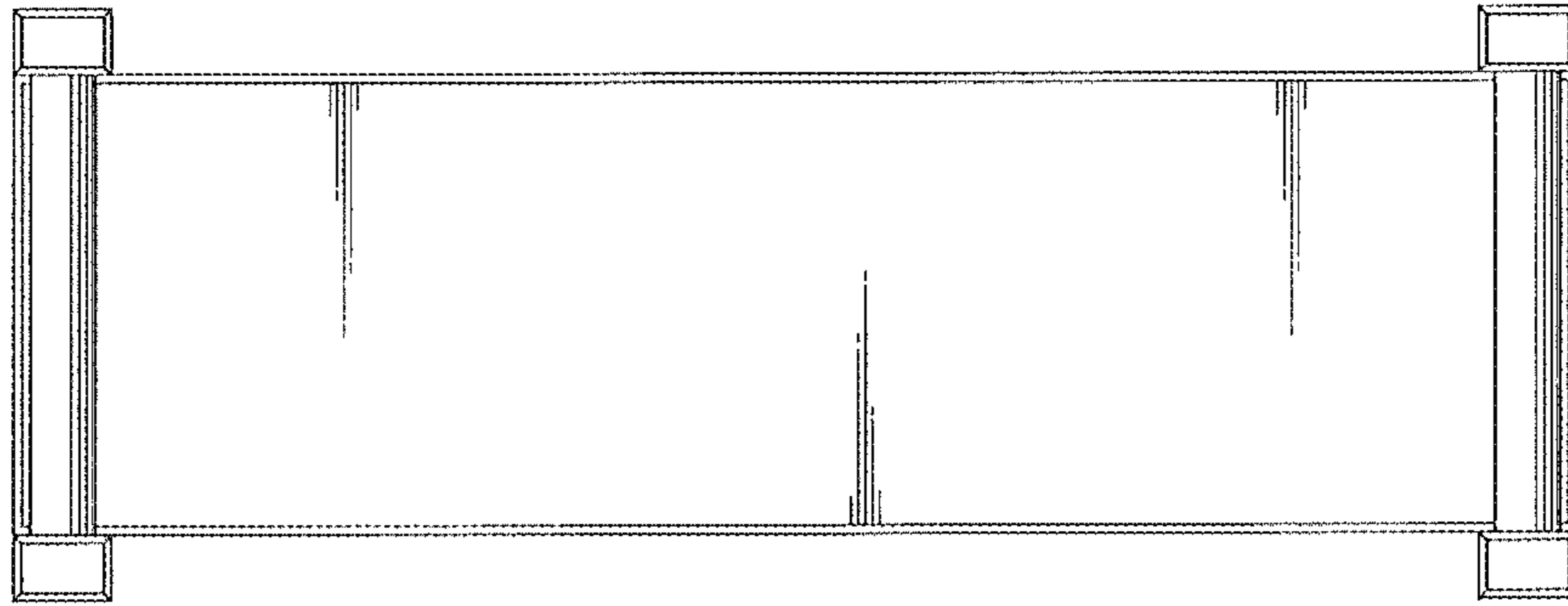


Fig. 3

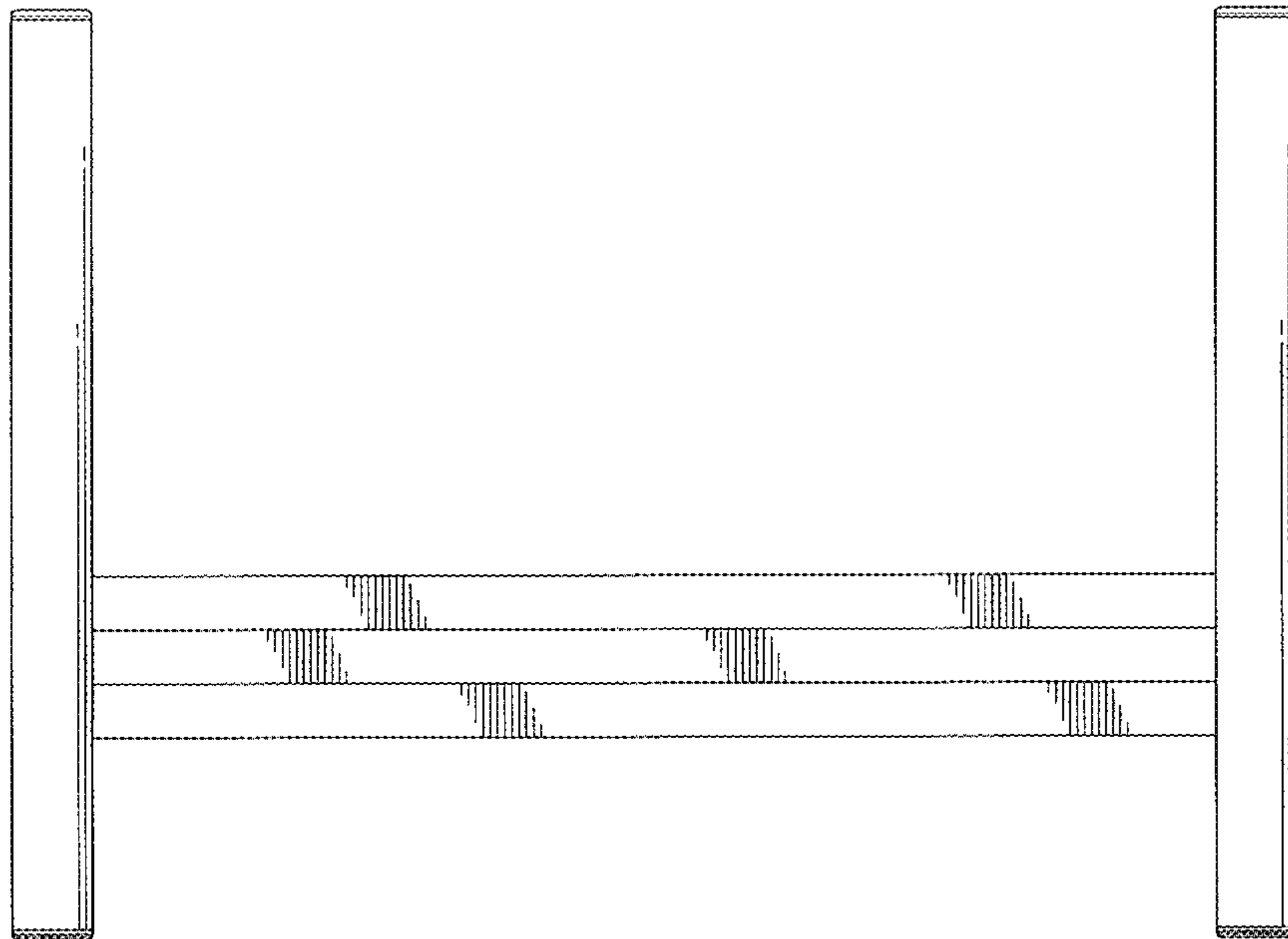


Fig. 4

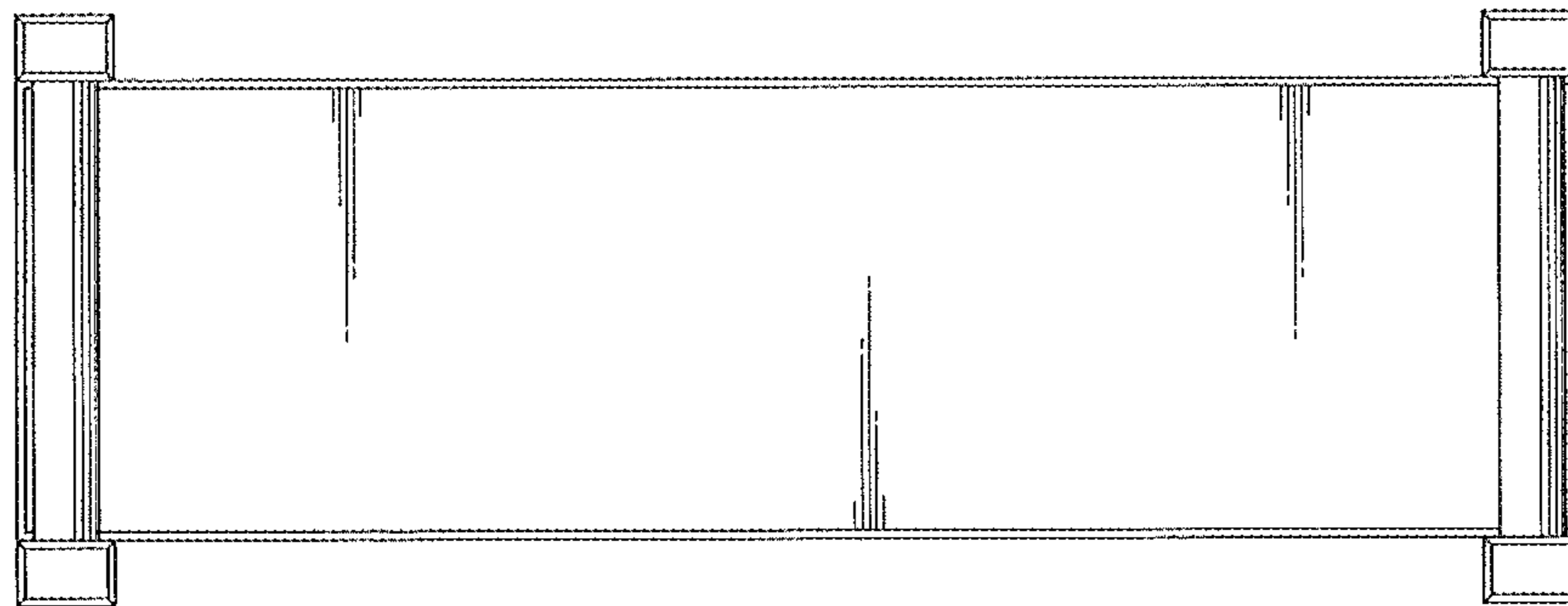


Fig. 5

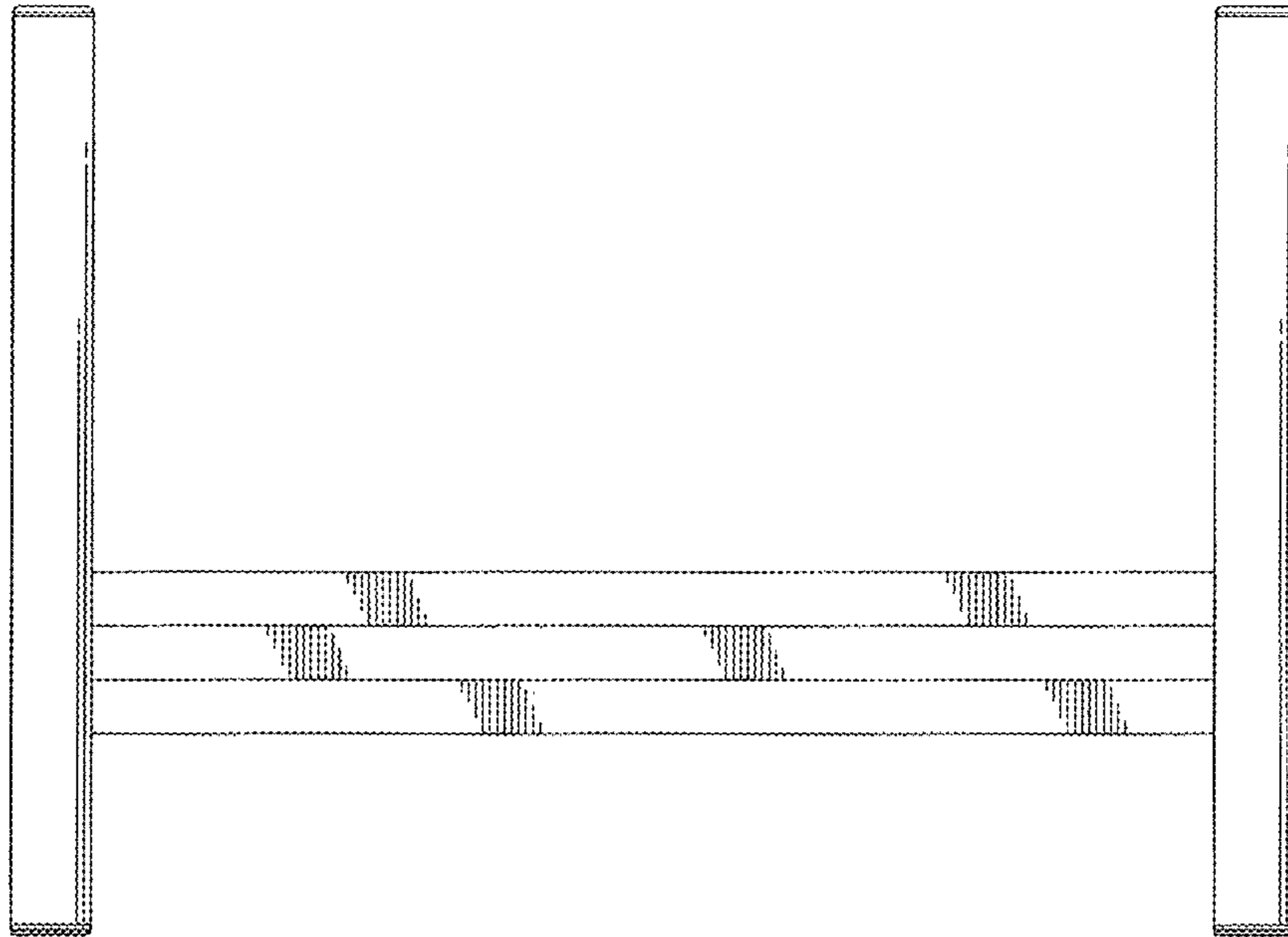


Fig. 6

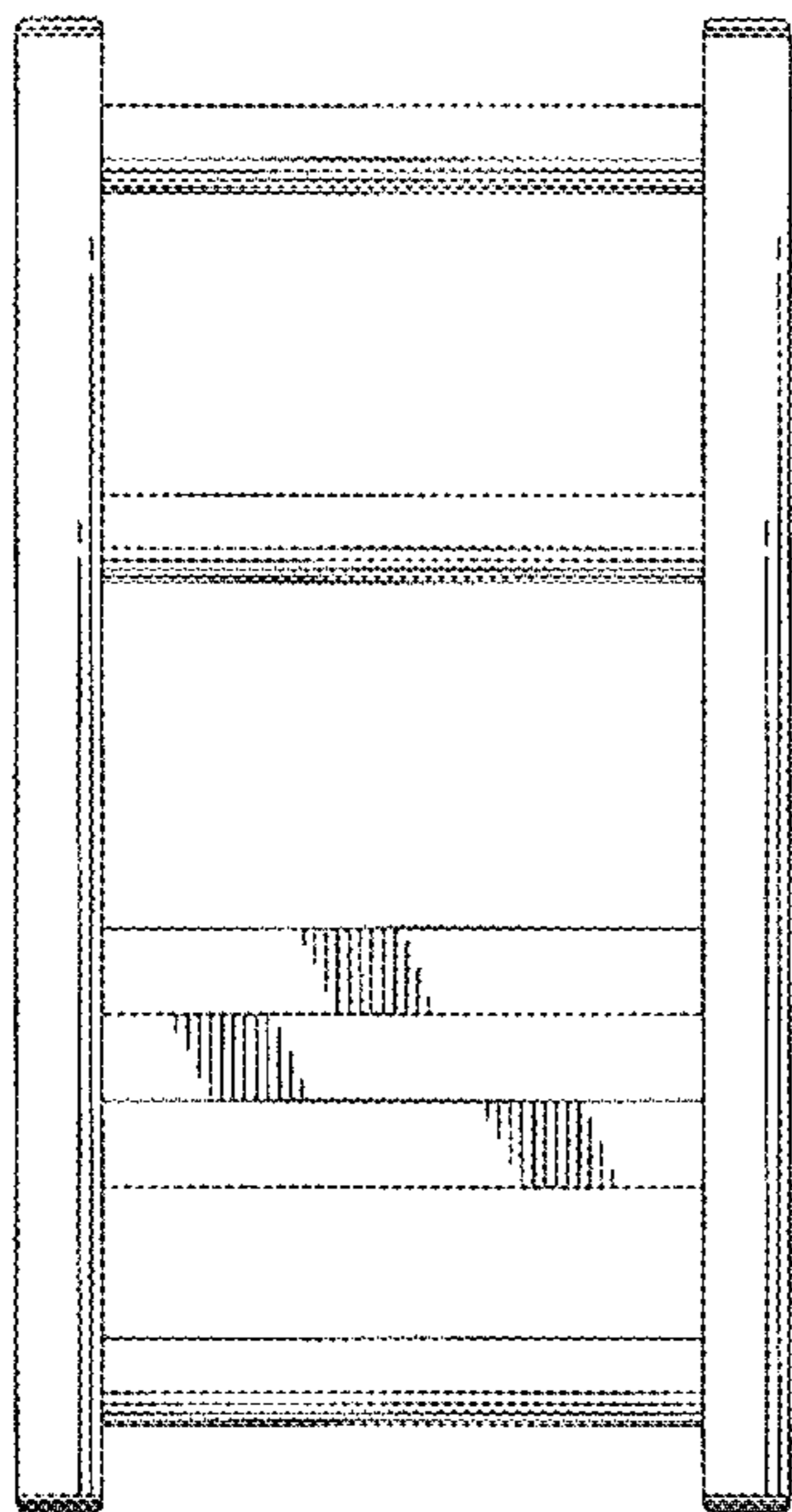


Fig. 7

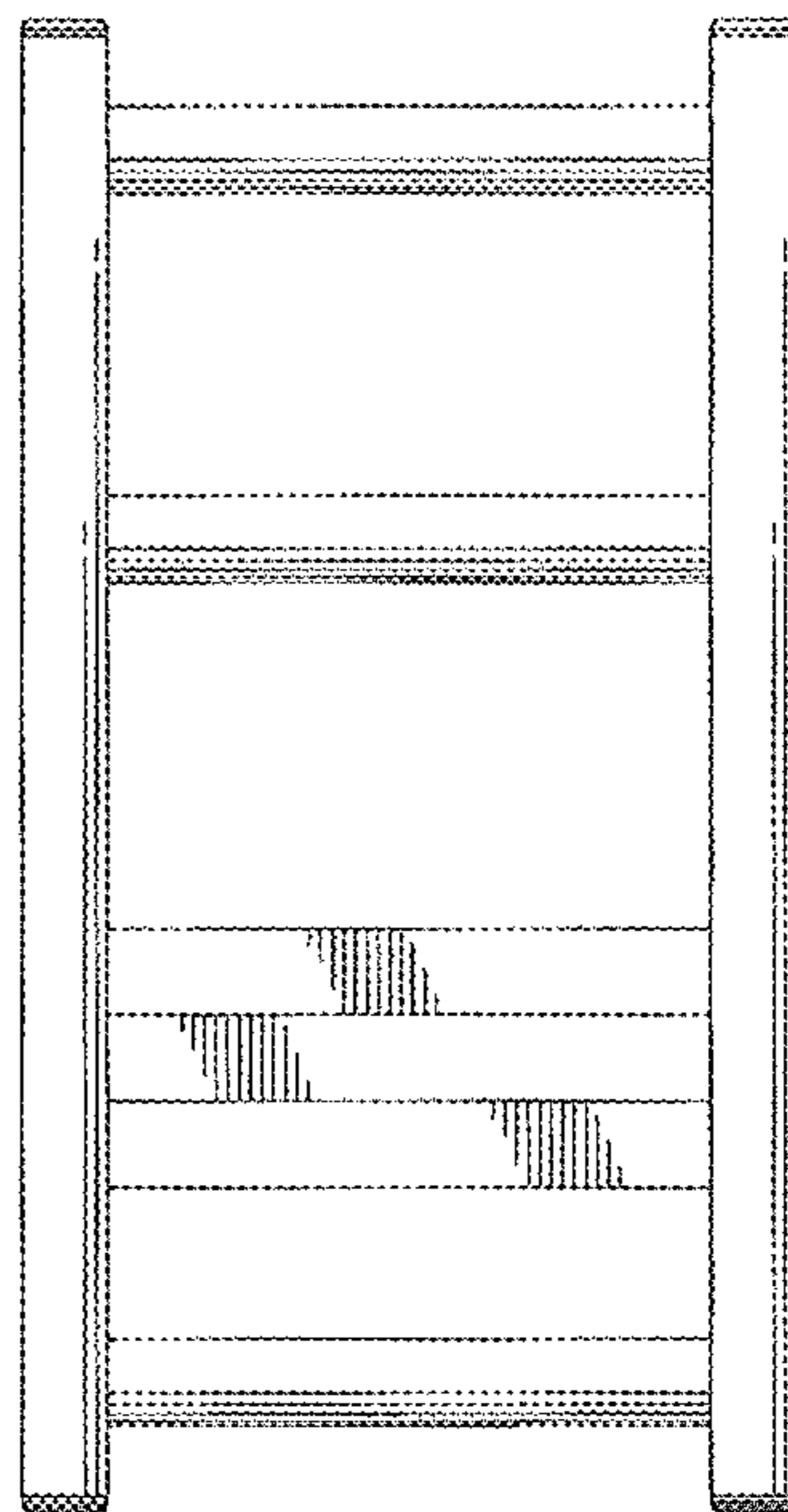


Fig. 8