



US00D841374S

(12) **United States Design Patent** (10) **Patent No.:** **US D841,374 S**
Felsenthal et al. (45) **Date of Patent:** **** Feb. 26, 2019**

(54) **SHOE RACK**
(71) Applicant: **Whitmor, Inc.**, Southhaven, MS (US)
(72) Inventors: **Sandy Felsenthal**, Memphis, TN (US);
Steve Westcott, Memphis, TN (US);
Milton D. Ruiz, Germantown, TN (US); **Paul Mann**, Oak Park, IL (US)
(73) Assignee: **Whitmor, Inc.**, Southhaven, MS (US)
(**) Term: **15 Years**
(21) Appl. No.: **29/584,524**
(22) Filed: **Nov. 15, 2016**
(51) **LOC (11) Cl.** **06-04**
(52) **U.S. Cl.**
USPC **D6/681**
(58) **Field of Classification Search**
USPC D3/672, 675, 675.1, 675.2, 675.3, 675.4,
D3/675.5, 680.3, 681, 681.1, 681.2, 681.3
CPC A47B 43/003; A47B 61/04; A47B 96/06;
A47B 55/02; A47B 96/061
See application file for complete search history.

D249,615 S * 9/1978 Frisbey D6/675.2
4,175,602 A * 11/1979 Cavalaris A45C 3/00
141/390
D283,570 S * 4/1986 Penner D6/678.4
D295,931 S * 5/1988 Bezzerides D6/675.2
D324,139 S * 2/1992 Frazier D6/672
5,088,420 A * 2/1992 Russell A47B 21/00
108/106
D369,036 S * 4/1996 Wyatt D6/680.3
D433,846 S * 11/2000 Chang D6/675.3
D470,336 S * 2/2003 Malizia D6/672
D473,733 S * 4/2003 Malik D6/630
D491,384 S * 6/2004 Lenger D6/675.3
D491,749 S * 6/2004 Malizia D6/675.3
D530,540 S * 10/2006 Stravitz D6/675.4
D532,218 S * 11/2006 Caldwell D6/675.4
D591,085 S * 4/2009 Burns D6/681.1
D598,218 S * 8/2009 Siegel D6/513

(Continued)

Primary Examiner — John Windmuller
Assistant Examiner — Steven Czyz
(74) *Attorney, Agent, or Firm* — Stites & Harbison
PLLC; Richard S. Myers, Jr.

(57) **CLAIM**

The ornamental design for a shoe rack, as shown and described.

DESCRIPTION

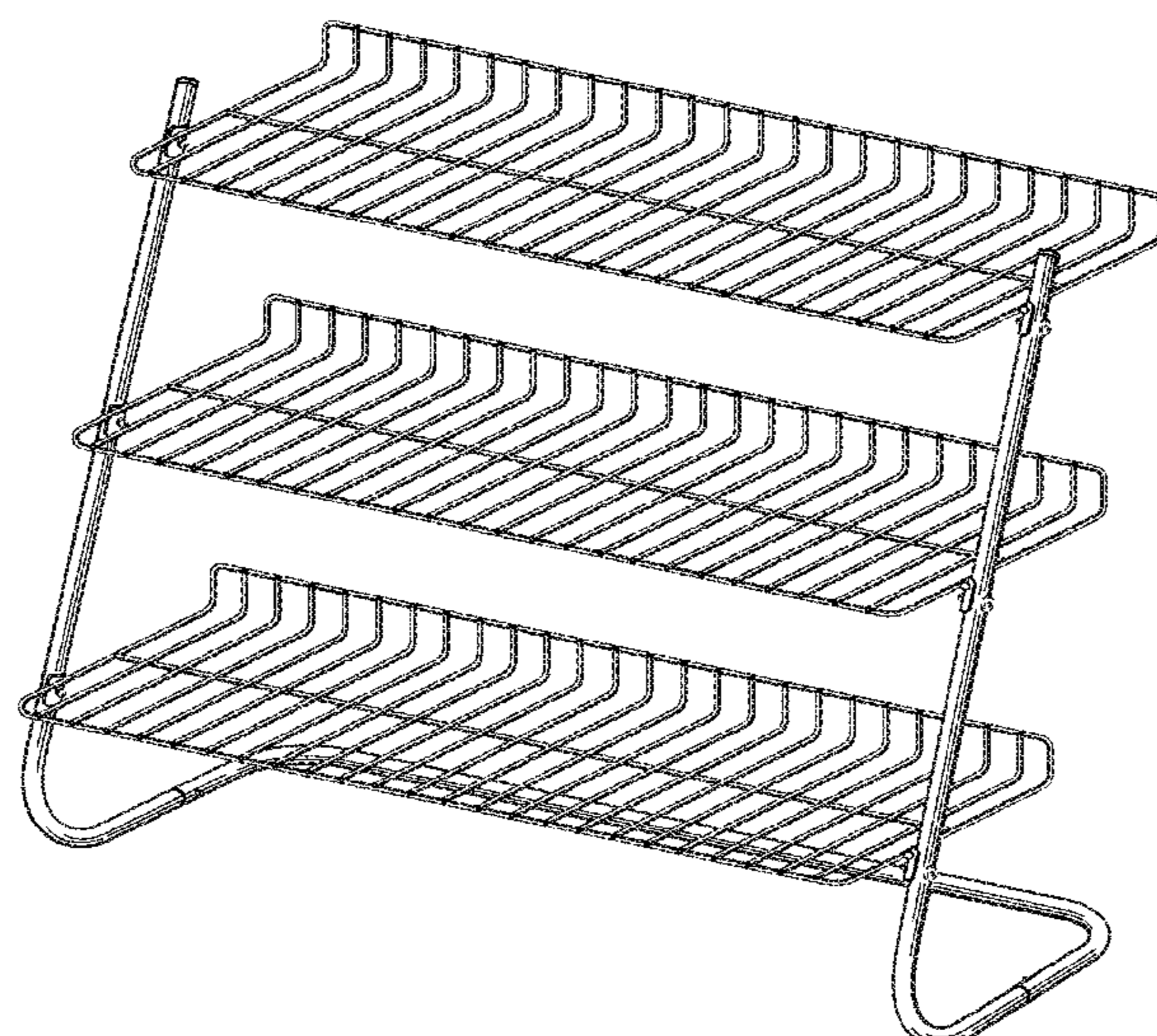
FIG. 1 is a front perspective view of a shoe rack showing my new design;
FIG. 2 is a top plan view thereof;
FIG. 3 is a front elevation view thereof;
FIG. 4 is a right elevation view thereof;
FIG. 5 is a rear elevation view thereof;
FIG. 6 is a left elevation view thereof; and,
FIG. 7 is a bottom plan view thereof.
The broken lines depict portions of the article that form no part of the claimed design.

1 Claim, 4 Drawing Sheets

(56) **References Cited**

U.S. PATENT DOCUMENTS

1,710,940 A * 4/1929 Murphy A43D 117/00
211/36
D114,997 S * 5/1939 Humphries et al. 211/55
D133,723 S * 9/1942 May et al. D34/22
2,315,595 A * 4/1943 Chappory A47F 5/13
211/149
2,433,748 A * 12/1947 Eide A47F 5/10
108/101
2,495,109 A * 1/1950 Kramer A47F 5/12
211/128.1
2,605,905 A * 8/1952 Willmott A43D 117/00
211/34
3,532,224 A * 10/1970 Grubb A47F 5/13
211/118



(56)

References Cited

U.S. PATENT DOCUMENTS

D696,878 S * 1/2014 Murphy D6/675.1
D701,390 S * 3/2014 Brindise D6/317
D707,978 S * 7/2014 Ruiz D6/320
D735,412 S * 7/2015 Coleman D28/54
D781,621 S * 3/2017 Nava D6/675.2
D787,242 S * 5/2017 Hsu D6/675.2
D790,892 S * 7/2017 Chung D6/681
2005/0092701 A1 * 5/2005 Metcalf A47F 5/137
211/59.2
2005/0230332 A1 * 10/2005 Taylor A47B 55/02
211/34
2006/0144805 A1 * 7/2006 Wang A47B 57/04
211/37
2011/0240571 A1 * 10/2011 Ho A47B 47/021
211/13.1
2011/0253659 A1 * 10/2011 Jarvis A47B 47/045
211/153
2011/0290750 A1 * 12/2011 Lim A47B 47/00
211/153
2014/0097148 A1 * 4/2014 Cheng A47B 61/04
211/34
2014/0190915 A1 * 7/2014 McBride B68C 1/002
211/85.11
2016/0198850 A1 * 7/2016 Wall A47B 87/0207
211/36
2016/0249783 A1 * 9/2016 Oh A47J 47/16
211/41.4
2017/0119152 A1 * 5/2017 Zhu A47B 61/04
2017/0224107 A1 * 8/2017 Frelander A47B 61/04
2017/0245637 A1 * 8/2017 Zhu A47B 61/04

* cited by examiner

FIG. 1

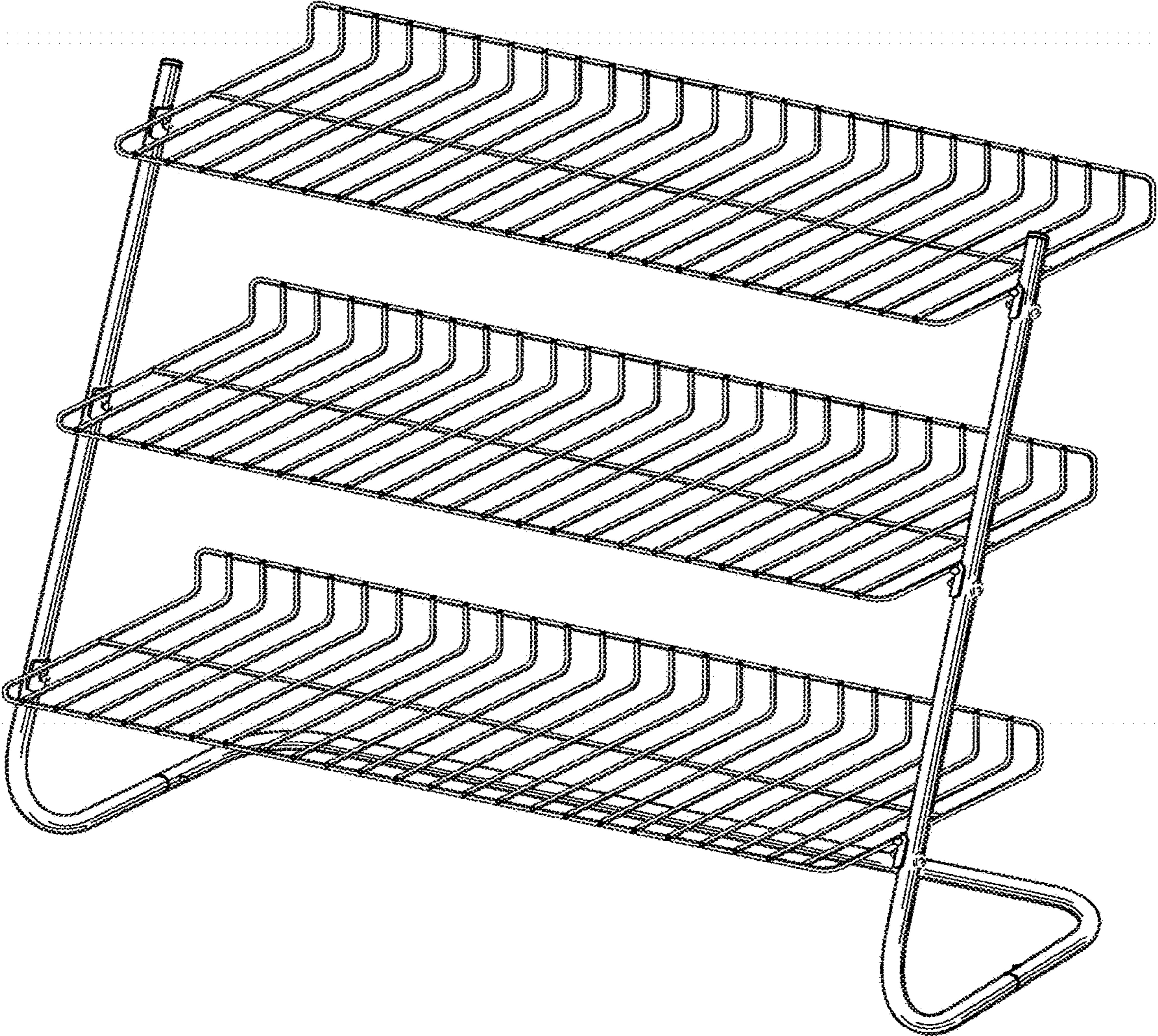


FIG. 2

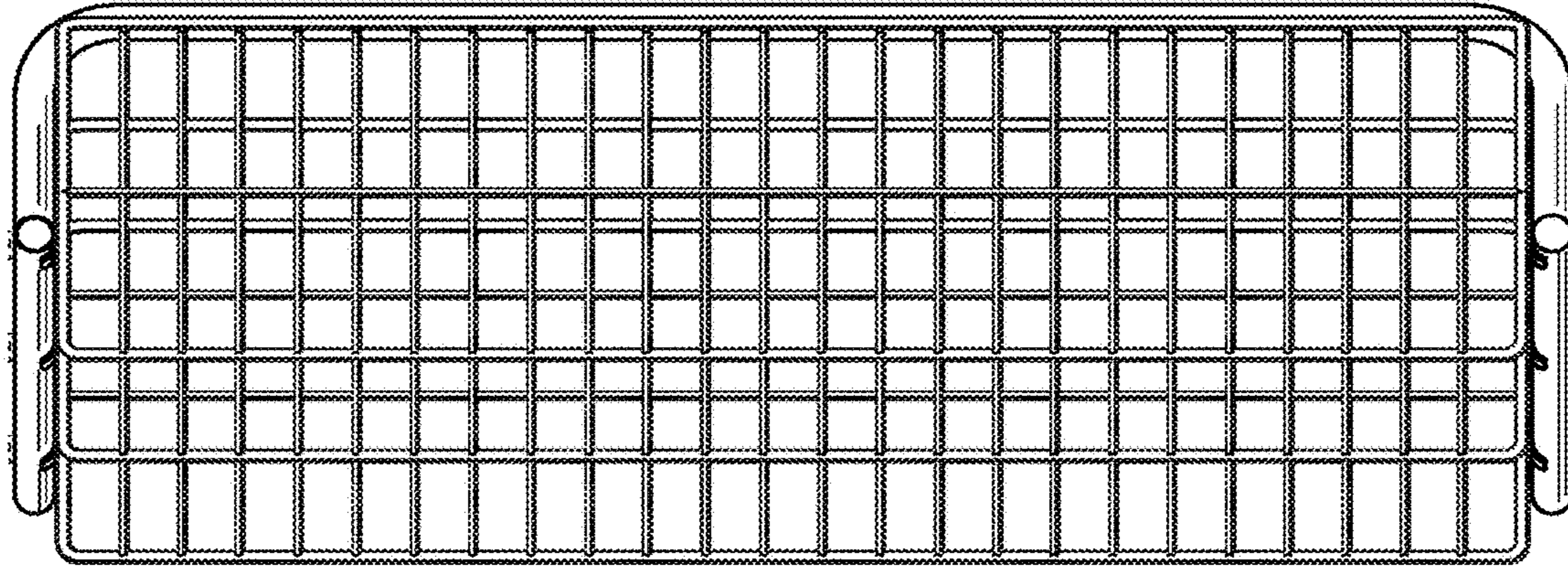


FIG. 3

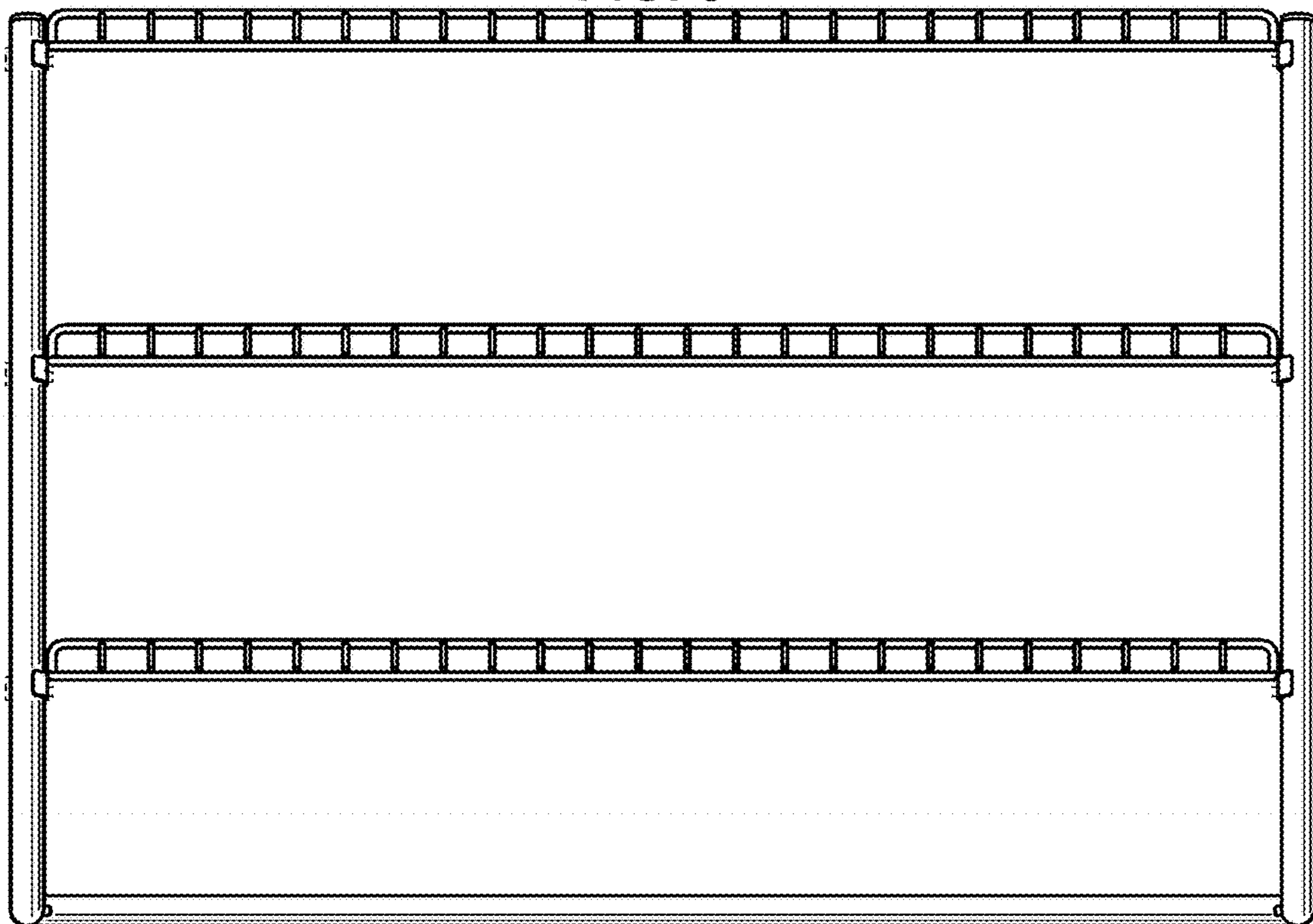


FIG. 4

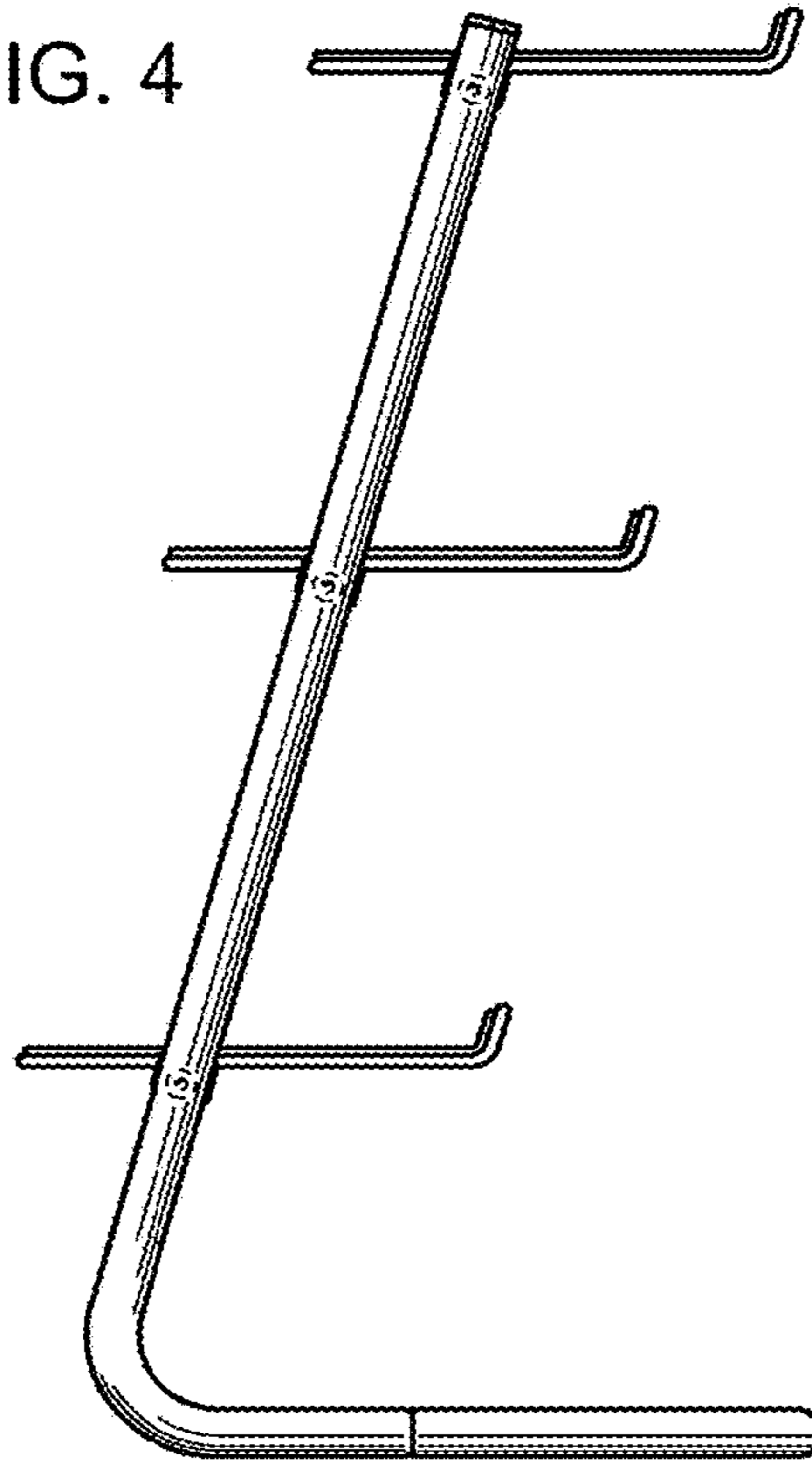


FIG. 5

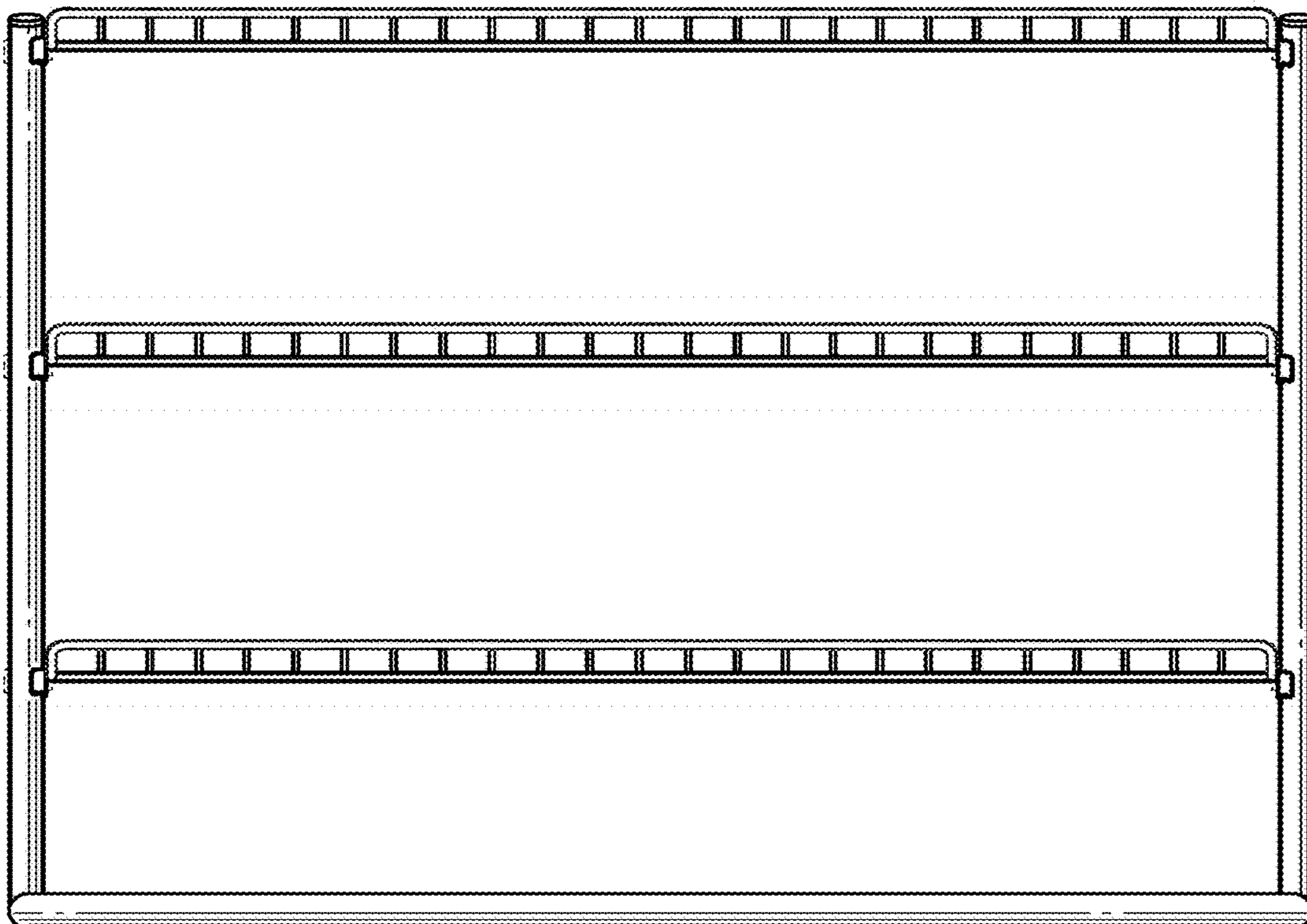


FIG. 6

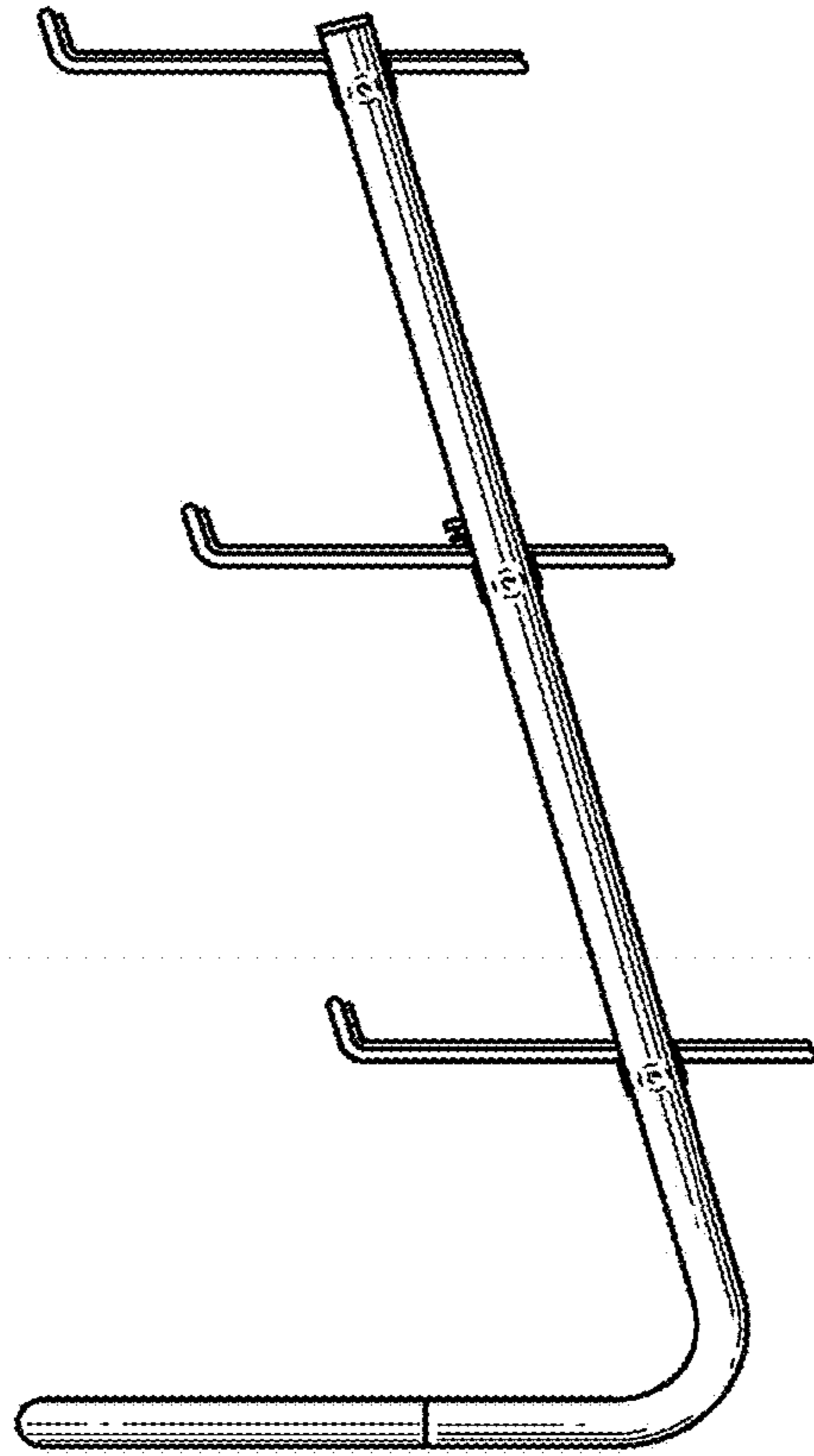


FIG. 7

