



US00D841373S

(12) **United States Design Patent** (10) **Patent No.:** **US D841,373 S**
Akana et al. (45) **Date of Patent:** **** Feb. 26, 2019**

(54) **DISPLAY STAND**

(71) Applicant: **Apple Inc.**, Cupertino, CA (US)

(72) Inventors: **Jody Akana**, San Francisco, CA (US); **Molly Anderson**, San Francisco, CA (US); **Bartley K. Andre**, Palo Alto, CA (US); **Shota Aoyagi**, San Francisco, CA (US); **Anthony Michael Ashcroft**, San Francisco, CA (US); **Marine C. Bataille**, San Francisco, CA (US); **Jeremy Bataillou**, San Francisco, CA (US); **Daniele De Iuliis**, San Francisco, CA (US); **Markus Diebel**, San Francisco, CA (US); **M. Evans Hankey**, San Francisco, CA (US); **Julian Hoenig**, San Francisco, CA (US); **Richard P. Howarth**, San Francisco, CA (US); **Jonathan P. Ive**, San Francisco, CA (US); **Julian Jaede**, San Francisco, CA (US); **Duncan Robert Kerr**, San Francisco, CA (US); **Peter Russell-Clarke**, San Francisco, CA (US); **Benjamin Andrew Shaffer**, San Jose, CA (US); **Mikael Silvano**, San Francisco, CA (US); **Christopher J. Stringer**, Woodside, CA (US); **Sung-Ho Tan**, San Francisco, CA (US); **Clement Tissandier**, San Francisco, CA (US); **Eugene Antony Whang**, San Francisco, CA (US); **Rico Zörkendörfer**, San Francisco, CA (US)

(73) Assignee: **Apple Inc.**, Cupertino, CA (US)

(**) Term: **15 Years**

(21) Appl. No.: **29/635,673**

(22) Filed: **Feb. 1, 2018**

Related U.S. Application Data

(63) Continuation of application No. 29/571,404, filed on Jul. 18, 2016, now Pat. No. Des. 810,478.

(51) **LOC (11) Cl.** 06-06

(52) **U.S. Cl.**
USPC **D6/677**

(58) **Field of Classification Search**
USPC D6/672, 673, 677, 682.1, 708, 708.17, D6/708.2
CPC A47F 5/0018; A47F 5/0043; A47F 7/00; A47F 7/02; A47F 7/022
See application file for complete search history.

(56) **References Cited**

U.S. PATENT DOCUMENTS

D141,791 S 7/1945 Siegel
D244,857 S 6/1977 Hayes
4,082,183 A 4/1978 Sturm
D268,743 S 4/1983 Lubin

(Continued)

Primary Examiner — Kelley A Donnelly

(74) *Attorney, Agent, or Firm* — Sterne, Kessler, Goldstein & Fox P.L.L.C.

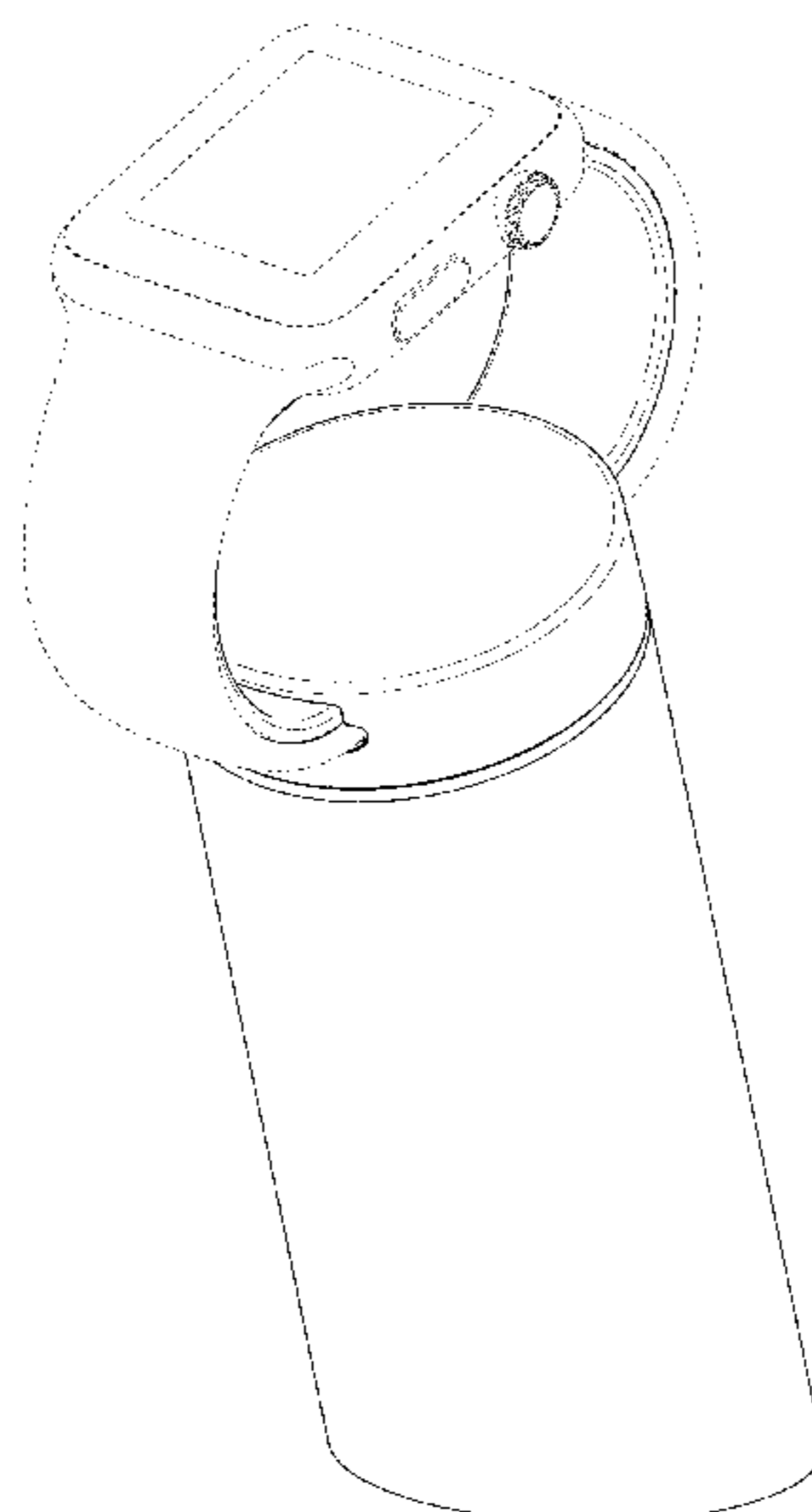
(57) **CLAIM**

The ornamental design for a display stand, as shown and described.

DESCRIPTION

FIG. 1 is a top front perspective view of a display stand showing the claimed design;
FIG. 2 is a front view thereof;
FIG. 3 is a rear view thereof;
FIG. 4 is a left side view thereof;
FIG. 5 is a right side view thereof;
FIG. 6 is a top view thereof; and,
FIG. 7 is a bottom view thereof.
The broken lines in the figures show environment that forms no part of the claimed design.

1 Claim, 5 Drawing Sheets



(56)

References Cited

U.S. PATENT DOCUMENTS

D284,084 S 6/1986 Ferrara, Jr.
 4,707,146 A 11/1987 Wein
 D295,748 S 5/1988 Day et al.
 4,862,151 A 8/1989 Grauz et al.
 D318,961 S 8/1991 Edelson
 D319,434 S 8/1991 Lund
 5,136,557 A 8/1992 Plawker et al.
 D337,322 S 7/1993 Yang
 D338,685 S 8/1993 Dakich
 D339,537 S 9/1993 Willnauer et al.
 5,280,229 A 1/1994 Faude et al.
 D343,745 S 2/1994 Wenger
 D379,758 S 6/1997 Chu Lee
 D392,474 S 3/1998 Frasketi
 D392,958 S 3/1998 Gaete
 D407,408 S 3/1999 Hoff
 D409,416 S 5/1999 Au
 D414,166 S 9/1999 De Paris
 D442,939 S 5/2001 Goldenburg
 D450,707 S 11/2001 Francavilla et al.
 D478,740 S 8/2003 Kirshner
 6,629,677 B2 10/2003 Kirshner
 D483,771 S 12/2003 Esswein
 D488,440 S 4/2004 Senda
 D495,336 S 8/2004 Andre et al.
 D502,179 S 2/2005 Cha et al.
 D502,338 S 3/2005 Zanghi et al.
 D527,018 S 8/2006 Christianson
 D542,279 S * 5/2007 Chan D14/216
 D543,183 S 5/2007 Cho et al.
 D555,655 S 11/2007 Iu
 D583,821 S 12/2008 Richter
 D585,056 S 1/2009 Ekelund
 D587,703 S 3/2009 Yoon
 D596,618 S 7/2009 Zha
 D599,792 S 9/2009 Lin
 D612,837 S * 3/2010 Murray D14/216
 D618,614 S 6/2010 Symons
 D623,188 S 9/2010 Son et al.
 D626,129 S 10/2010 Lutz
 D627,777 S 11/2010 Akana et al.

D637,596 S 5/2011 Akana et al.
 D637,601 S 5/2011 Symons
 D639,267 S 6/2011 DeLorenzo et al.
 D642,121 S 7/2011 Lee et al.
 D642,172 S 7/2011 Akana et al.
 D643,433 S 8/2011 Hsieh et al.
 D645,047 S * 9/2011 Wike D14/447
 D651,606 S 1/2012 Luijben
 D661,308 S 6/2012 Capozzoli
 D662,100 S 6/2012 Van Den Nieuwenhuizen et al.
 D663,972 S 7/2012 Alexander et al.
 D670,692 S 11/2012 Akana et al.
 D673,571 S 1/2013 Akana et al.
 D673,572 S 1/2013 Akana et al.
 D673,952 S 1/2013 Toda et al.
 D687,441 S 8/2013 Janzen
 D688,671 S 8/2013 Avganim
 D690,137 S 9/2013 Kikkert et al.
 D690,138 S 9/2013 Kikkert et al.
 D692,420 S 10/2013 McManigal et al.
 D708,270 S 7/2014 Heirakuji et al.
 D728,576 S 5/2015 David et al.
 D740,060 S 10/2015 Akana et al.
 D752,907 S 4/2016 Denby et al.
 D753,942 S * 4/2016 Akana D6/682.5
 D756,152 S 5/2016 Schwalbach et al.
 D771,614 S * 11/2016 Chang D14/253
 D775,874 S * 1/2017 Huang D6/677.4
 D792,133 S 7/2017 Schwalbach et al.
 D798,636 S * 10/2017 Van Landingham, Jr.
 D810,478 S * 2/2018 Akana D6/682
 D815,865 S * 4/2018 Gauggel D6/677
 D826,604 S * 8/2018 De Iuliis D6/682
 2006/0250764 A1 11/2006 Howarth et al.
 2009/0156255 A1 6/2009 Shin et al.
 2011/0047844 A1 * 3/2011 Fawcett G08B 13/1445
 2011/0084838 A1 * 4/2011 Fawcett A47F 7/024
 2014/0028688 A1 1/2014 Houjou et al.
 2014/0106608 A1 4/2014 Howarth et al.

* cited by examiner

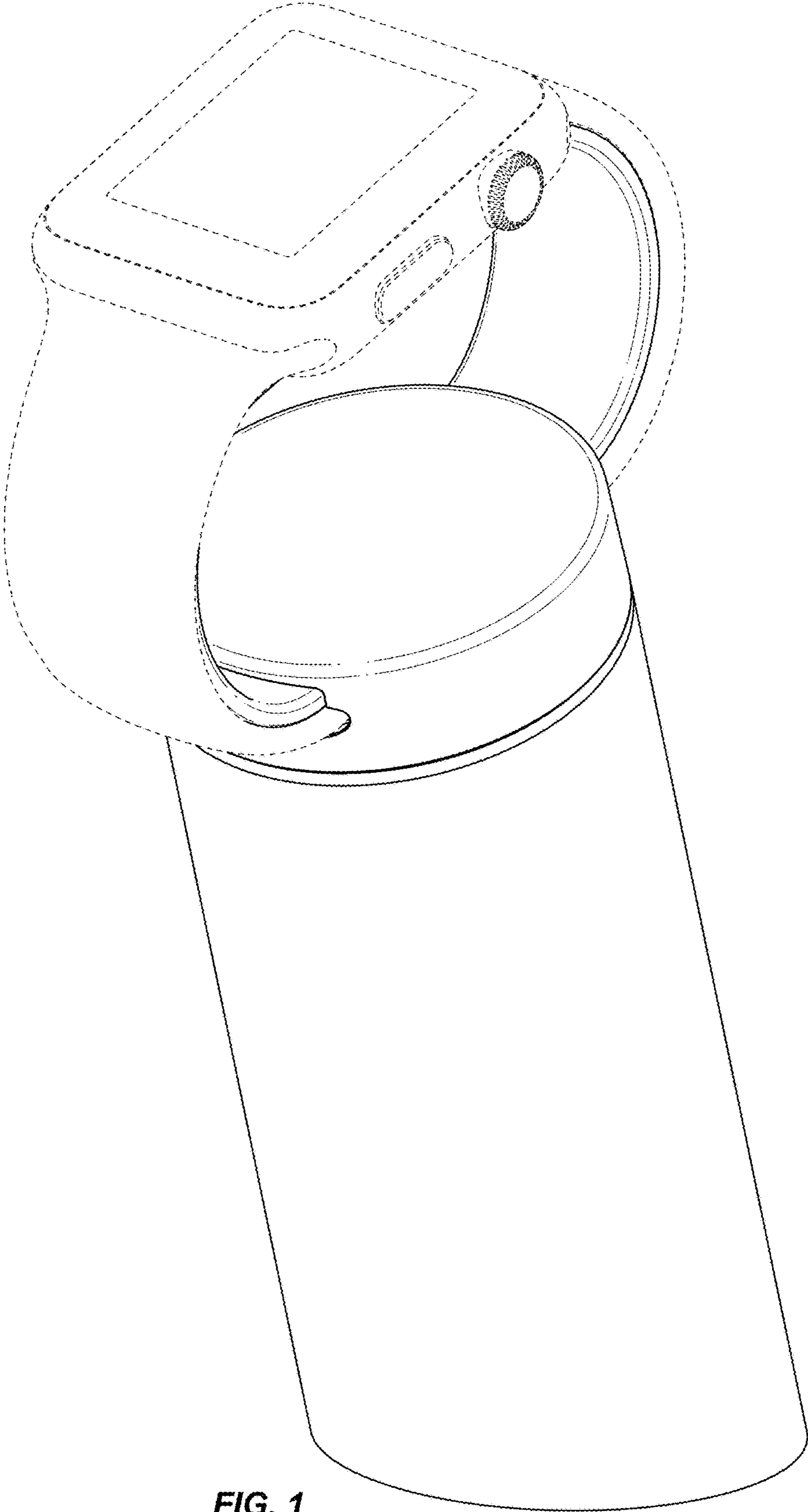


FIG. 1

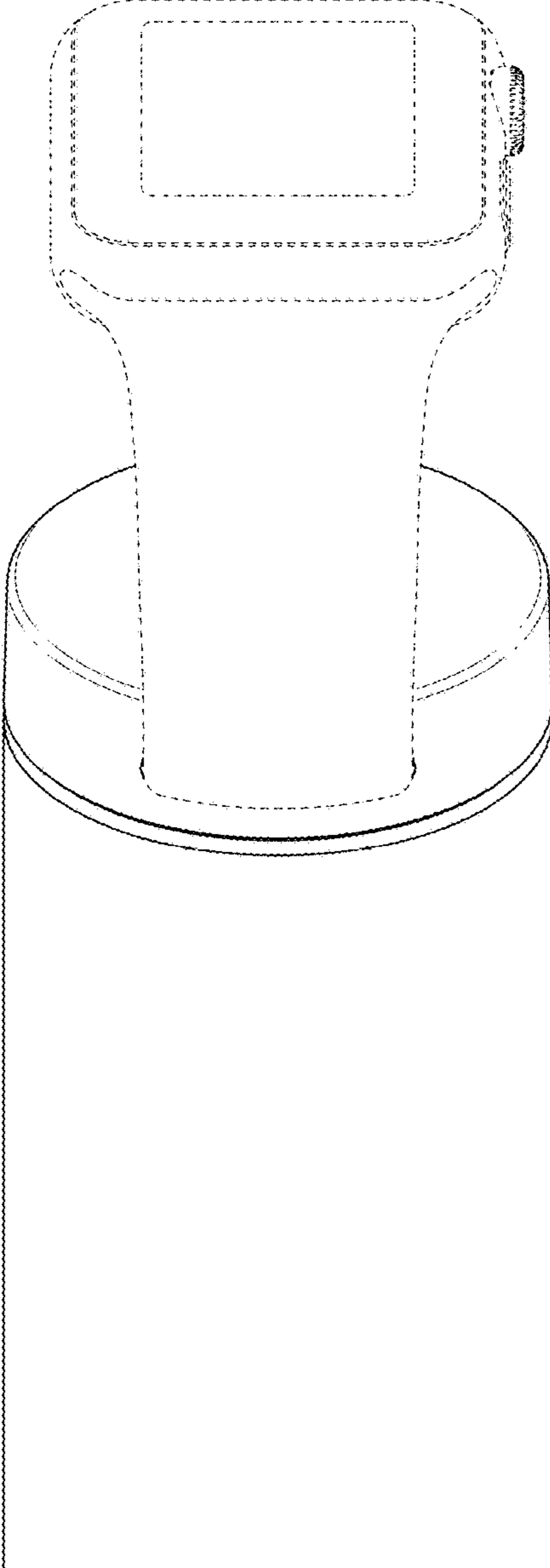


FIG. 2

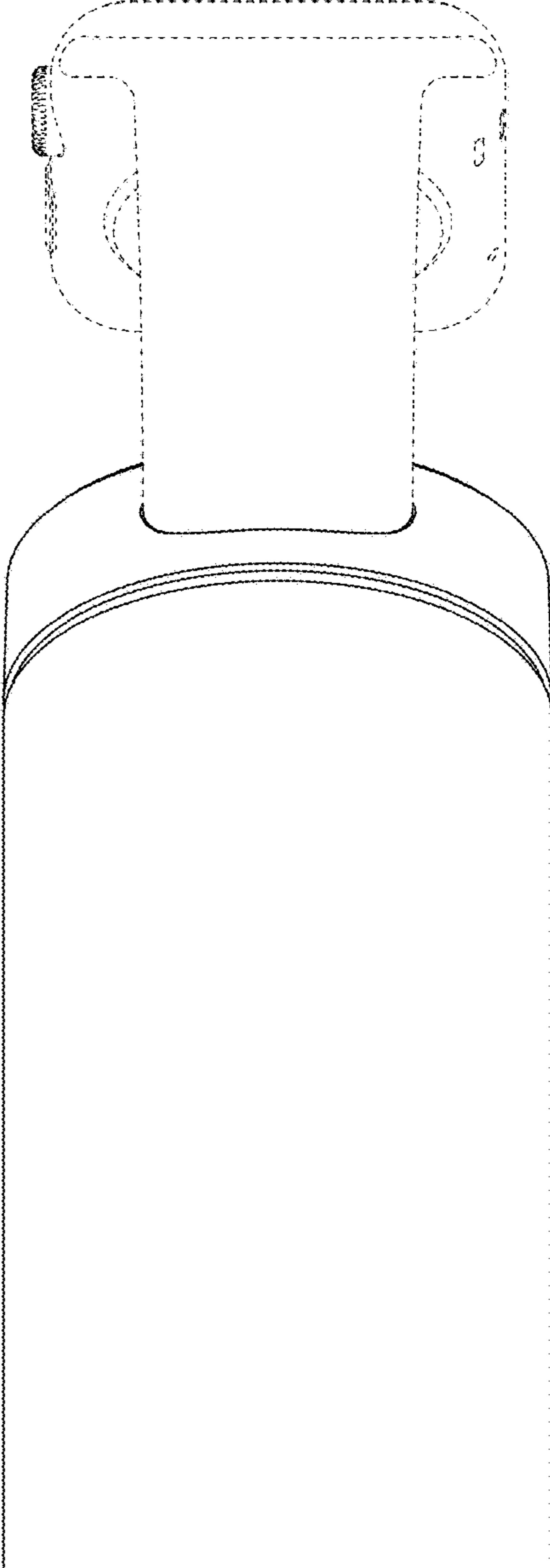


FIG. 3

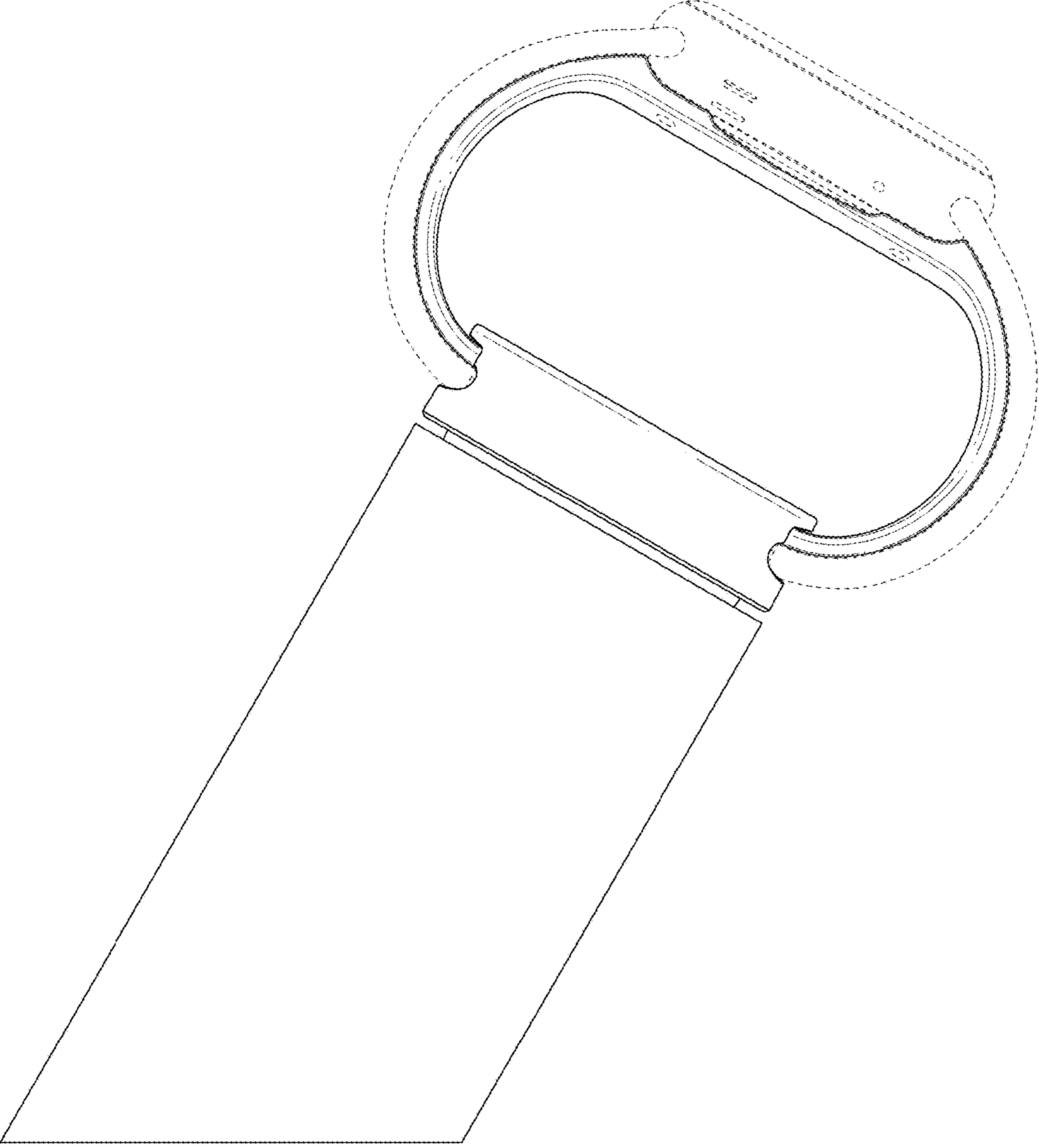


FIG. 4

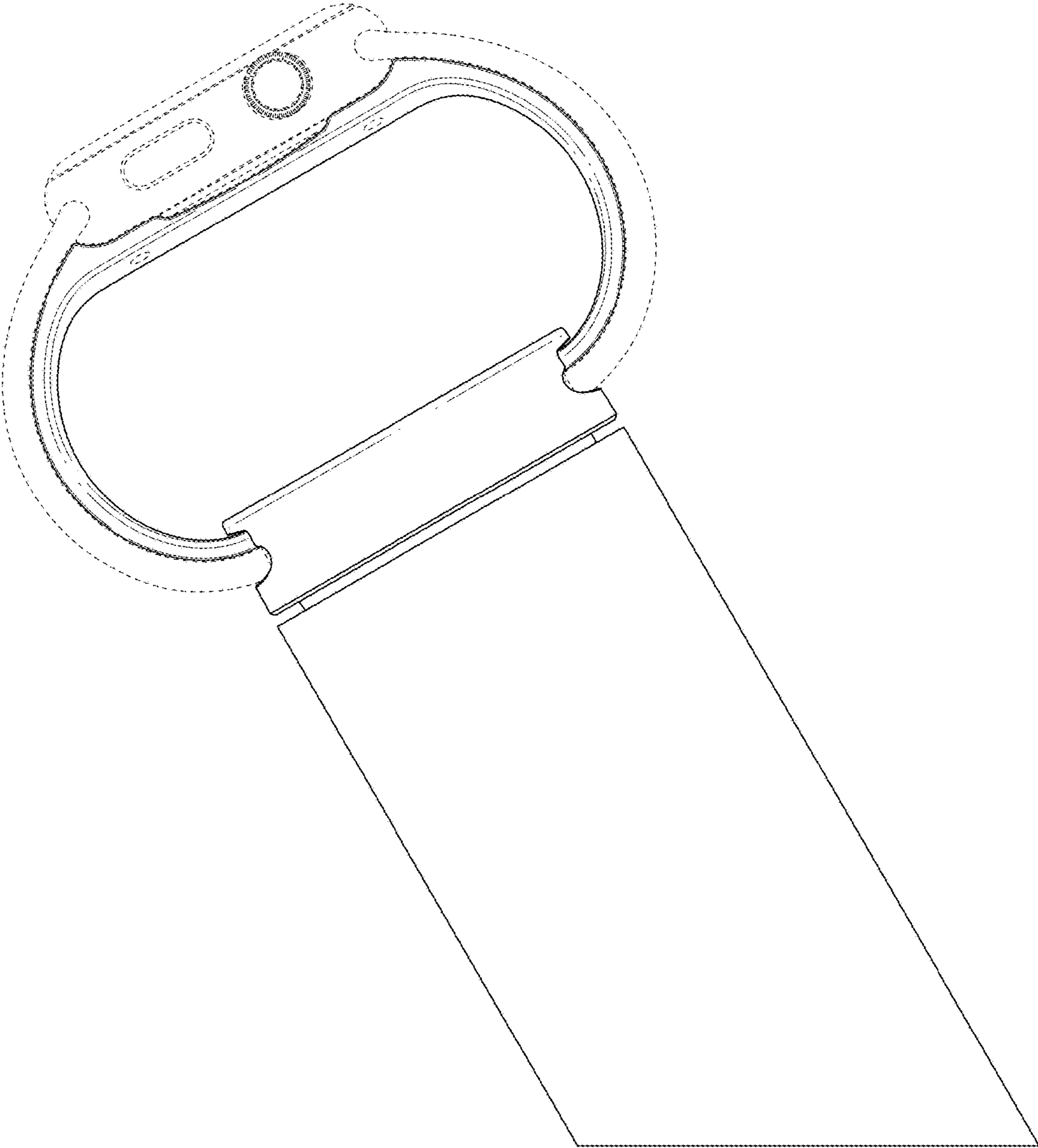


FIG. 5

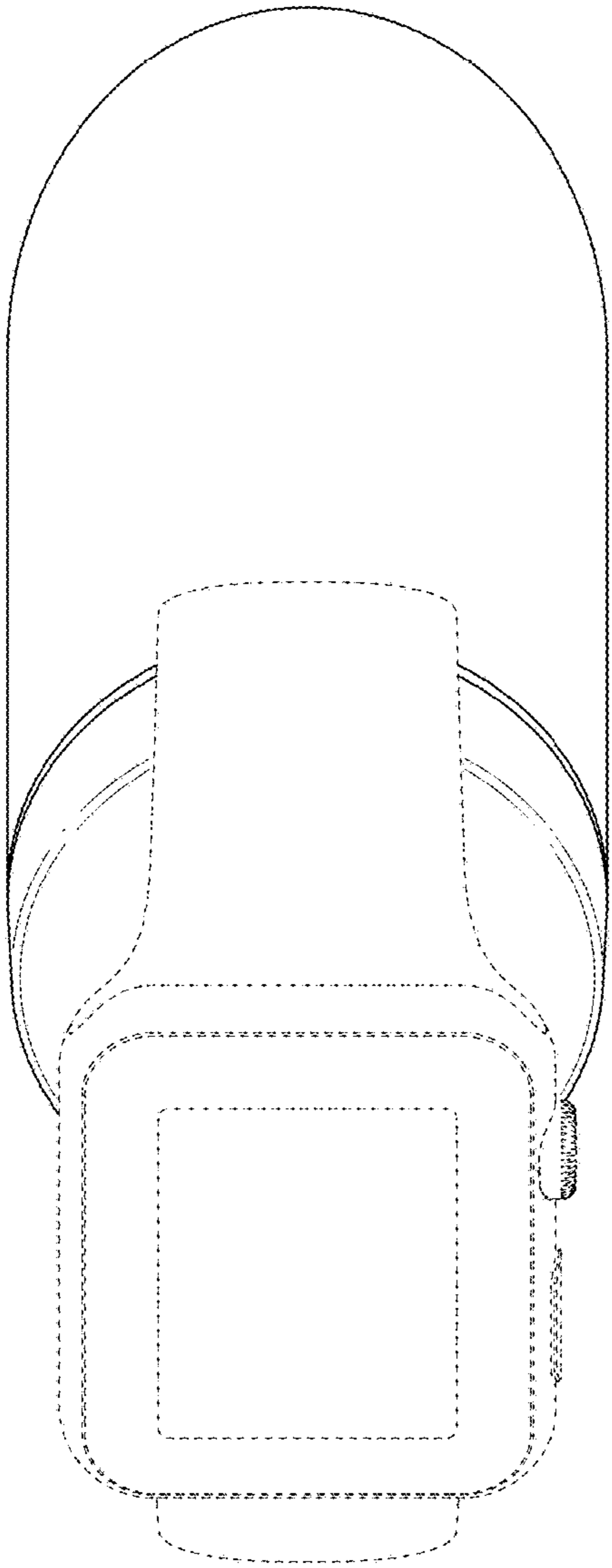


FIG. 6

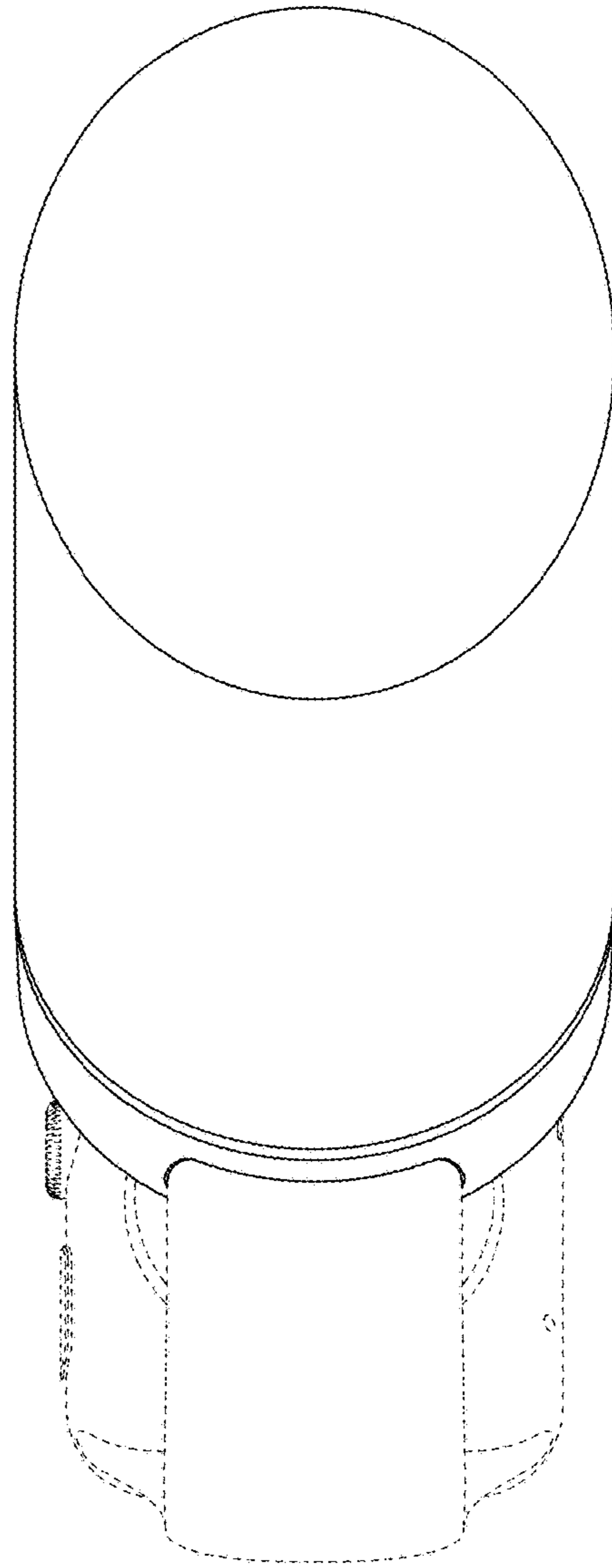


FIG. 7