

US00D841372S

(12) **United States Design Patent** (10) **Patent No.:** **US D841,372 S**  
**Murthy et al.** (45) **Date of Patent:** **\*\* Feb. 26, 2019**

(54) **DISPLAY RACK** 4,978,013 A 12/1990 Hogg  
D361,454 S 8/1995 Compton et al.  
(71) Applicant: **Kellogg Company**, Battle Creek, MI D538,556 S 3/2007 Arias  
(US) D560,402 S 1/2008 Lev  
D580,193 S 11/2008 Sparkowski  
(72) Inventors: **Ganapa Sashidhara Murthy**, Portage, D591,531 S 5/2009 Sparkowski  
MI (US); **Daniel Brian Yousef**, D598,220 S 8/2009 Sparkowski  
Hudsonville, MI (US) D608,115 S 1/2010 Trinh et al.  
D635,801 S \* 4/2011 Stubis ..... D6/675.1  
D644,452 S 9/2011 Naples et al.  
(73) Assignee: **Kellogg Company**, Battle Creek, MI D651,024 S 12/2011 Shenkin  
(US) D657,591 S 4/2012 Sanchez  
D660,052 S 5/2012 Flores  
D716,080 S 10/2014 Bell et al.  
(\*\*) Term: **15 Years** 9,004,300 B1 \* 4/2015 Morrell ..... A47F 5/137  
108/107  
(21) Appl. No.: **29/656,748** D747,901 S 1/2016 Kanagy et al.  
D752,372 S 3/2016 Huff et al.  
(22) Filed: **Jul. 16, 2018** D754,458 S \* 4/2016 Mason ..... D6/675.1  
D775,871 S \* 1/2017 Volz ..... D6/675.1  
D784,052 S 4/2017 Rodriguez  
D784,054 S \* 4/2017 Arzaluz ..... D6/675.2

**Related U.S. Application Data**

(62) Division of application No. 29/598,172, filed on Mar. 23, 2017.  
(51) **LOC (11) Cl.** ..... **06-06**  
(52) **U.S. Cl.**  
USPC ..... **D6/675.4**  
(58) **Field of Classification Search**  
USPC ..... D6/315, 317, 319, 329, 673, 675, 675.1,  
D6/675.2, 675.3, 675.4, 678.4, 680.2,  
D6/680.3, 702  
CPC ..... A47B 47/00; A47B 47/02; A47B 55/02;  
A47B 73/00; A47B 73/002; A47F 5/00;  
A47F 5/0018; A47F 5/0025; A47F  
5/0056; A47F 5/01  
See application file for complete search history.

**References Cited**

**U.S. PATENT DOCUMENTS**

D50,452 S 3/1917 Stein  
D162,990 S 4/1951 Roeder  
D280,163 S 8/1985 Leo, Sr.

*Primary Examiner* — Kelley A Donnelly  
(74) *Attorney, Agent, or Firm* — Honigman Miller  
Schwartz and Cohn LLP

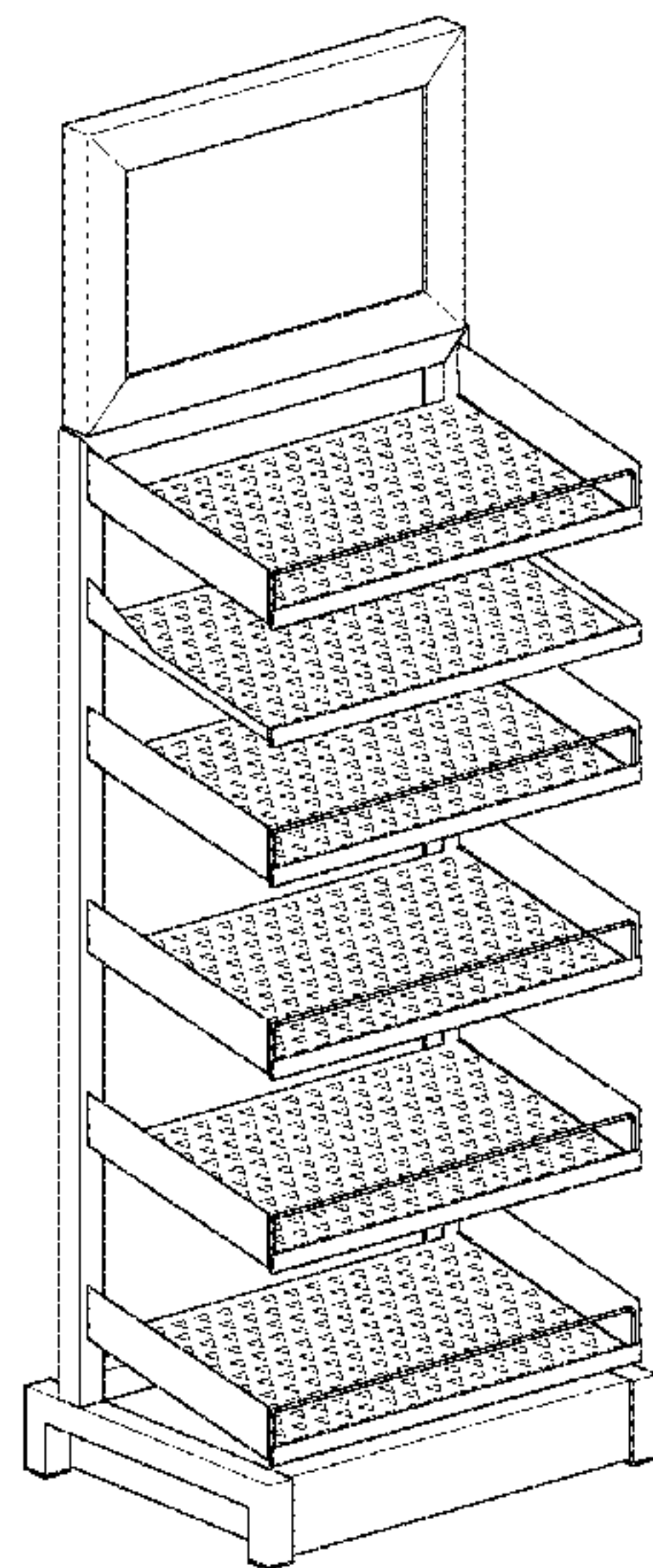
(57) **CLAIM**

The ornamental design for a display rack, as shown and described.

**DESCRIPTION**

FIG. 1 is a front-top perspective view of a display rack, showing our new design;  
FIG. 2 is a rear-bottom perspective thereof;  
FIG. 3 is a front view thereof;  
FIG. 4 is a rear view thereof.  
FIG. 5 is a top plan view thereof;  
FIG. 6 is a bottom plan view thereof;  
FIG. 7 is a right side view thereof; and,  
FIG. 8 is a left side view thereof.

**1 Claim, 8 Drawing Sheets**



(56)

**References Cited**

U.S. PATENT DOCUMENTS

D787,241 S	5/2017	Arzaluz	
D790,457 S	6/2017	Vargas et al.	
9,743,784 B2 *	8/2017	Piskor .....	A47F 5/10
D798,635 S	10/2017	Aguilera et al.	
D815,469 S *	4/2018	Volz .....	D6/675
2014/0230295 A1	8/2014	Hawkins	

\* cited by examiner

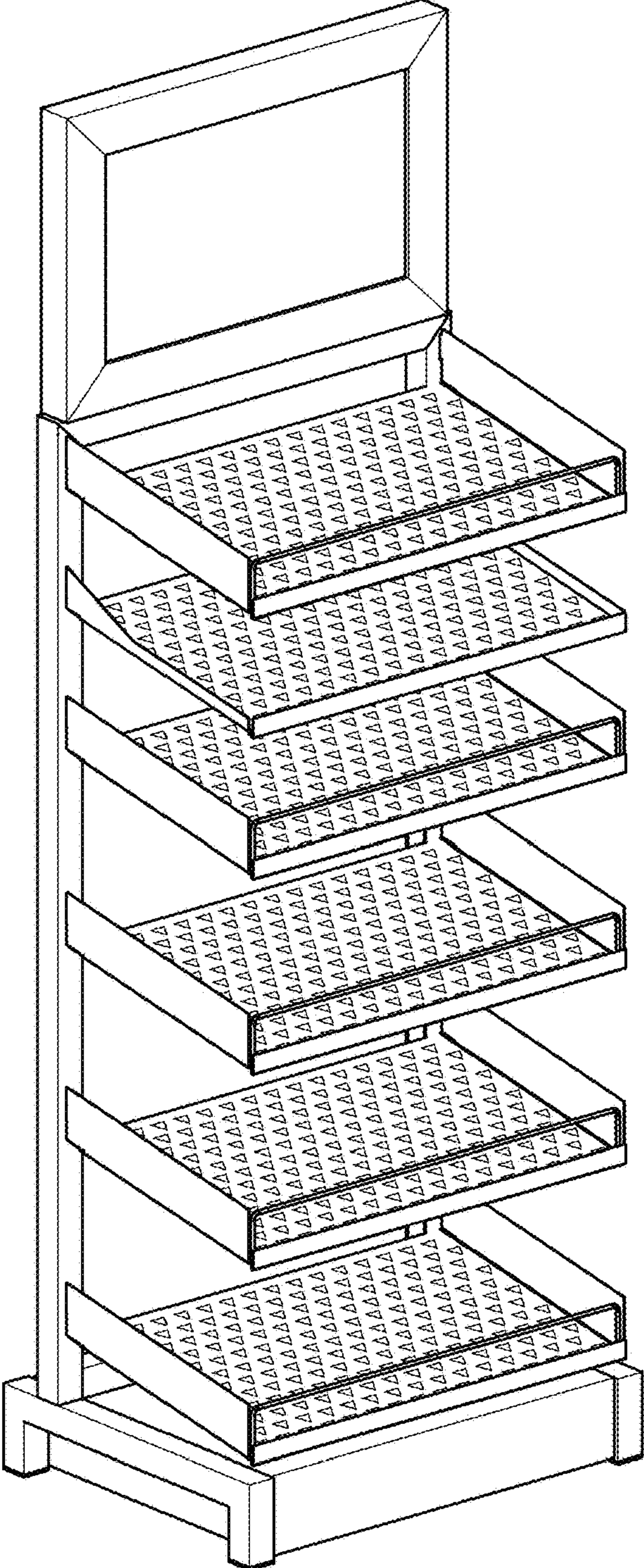


FIG. 1

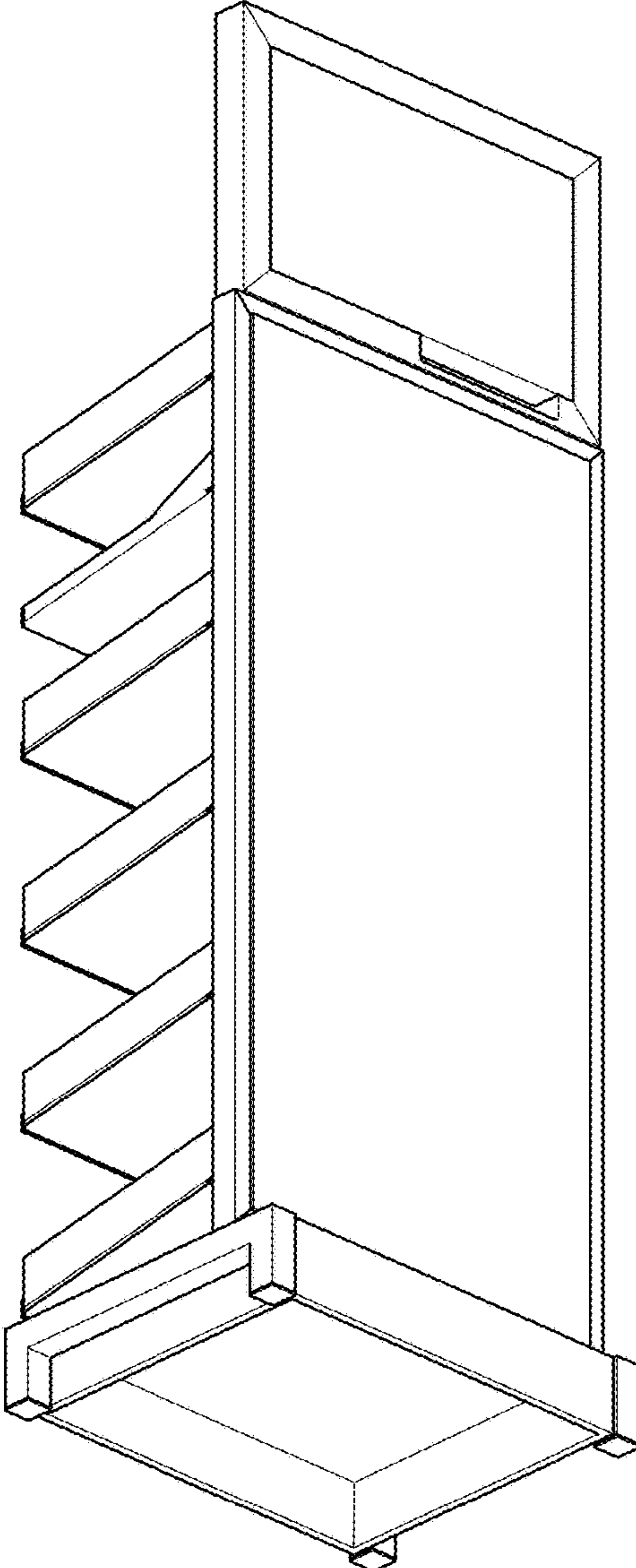


FIG. 2



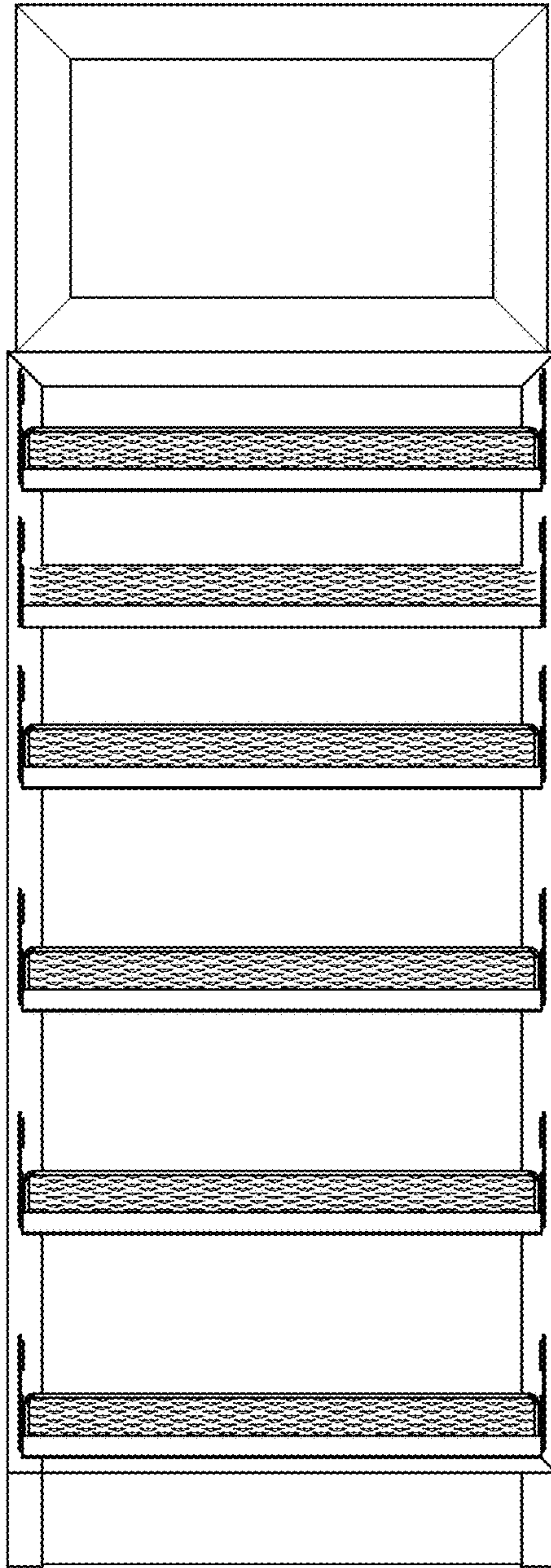


FIG. 3

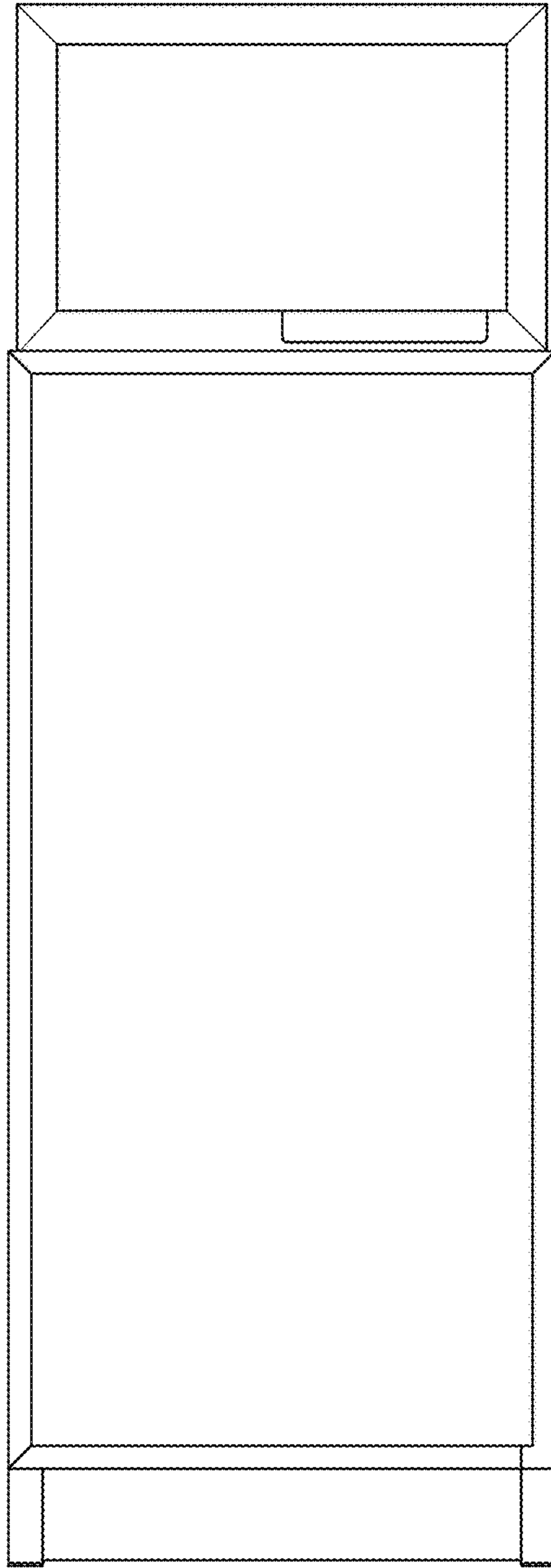


FIG. 4

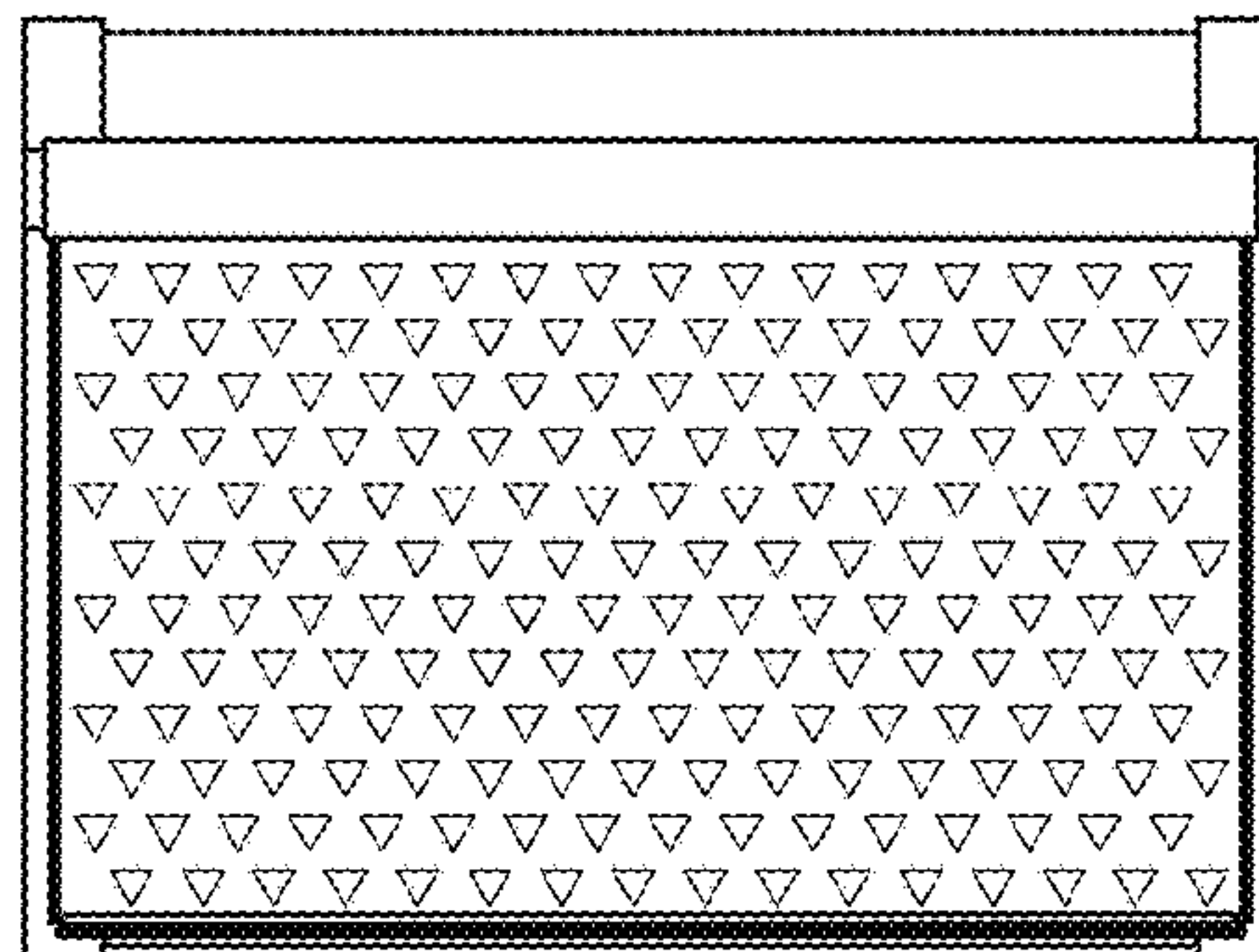


FIG. 5



FIG. 6



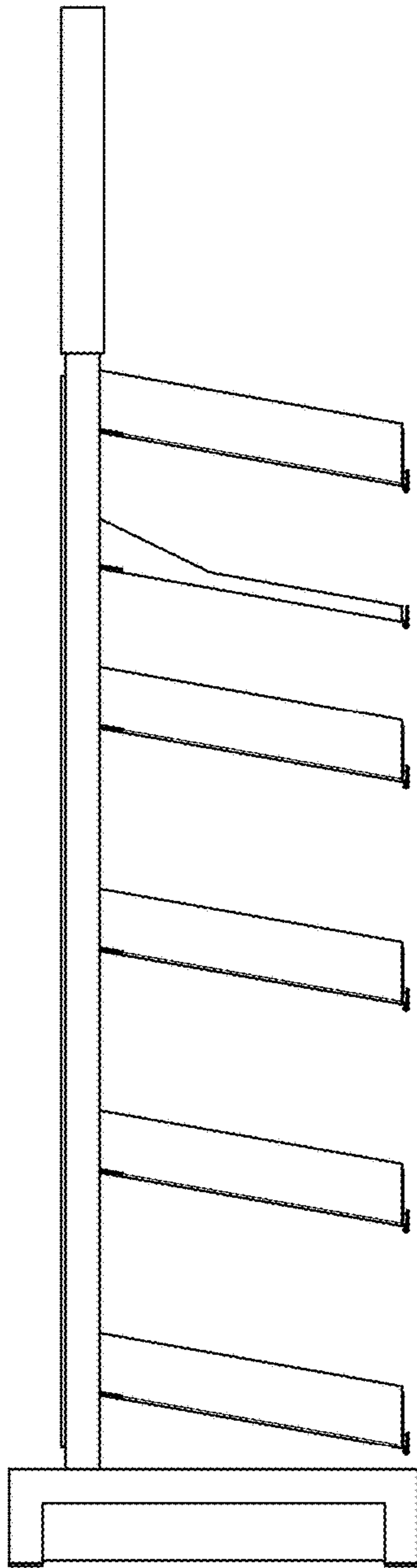


FIG. 7

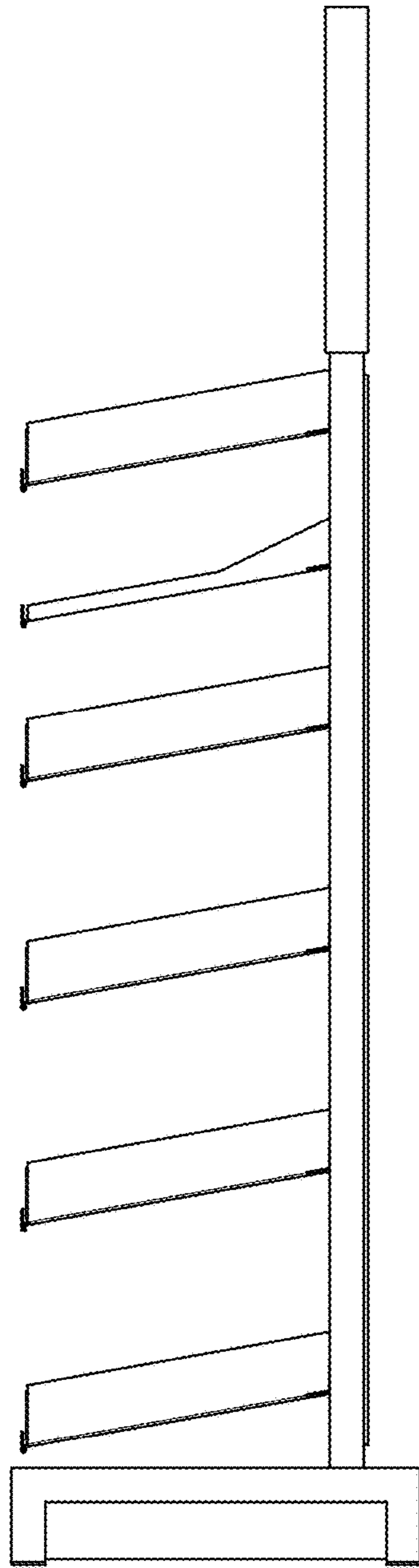


FIG. 8