



US00D841371S

(12) **United States Design Patent** (10) **Patent No.:** **US D841,371 S**
Altemimeï (45) **Date of Patent:** **** Feb. 26, 2019**

(54) **FURNITURE WITH DRAWERS**

2/2881; B60N 2/6018; B60N 2/6036;
E05B 53/001; E05F 1/006; E06B 3/7001

See application file for complete search history.

(71) Applicant: **DA International, Inc.**, Orland Park, IL
(US)

(56) **References Cited**

(72) Inventor: **Raad Altemimeï**, Orland Park, IL (US)

U.S. PATENT DOCUMENTS

(73) Assignee: **DA International, Inc.**, Orland Park, IL
(US)

D3,074 S *	6/1868	Howell	D6/661
D99,046 S	3/1936	Retlich		
D103,694 S *	3/1937	Schless	D6/310
D139,338 S	11/1944	George		
D149,378 S	4/1948	Rummelsburg		
D160,571 S	10/1950	Belanger		
2,601,734 A *	7/1952	Couzinet	A01B 59/06 160/395

(**) Term: **15 Years**

(Continued)

(21) Appl. No.: **29/592,572**

Primary Examiner — Kevin K Rudzinski

(22) Filed: **Jan. 31, 2017**

Assistant Examiner — Paul D Bohannon

(51) **LOC (11) Cl.** **06-04**

(74) *Attorney, Agent, or Firm* — Greensfelder, Hemker & Gale, P.C.

(52) **U.S. Cl.**

USPC **D6/668.1**

(58) **Field of Classification Search**

(57) **CLAIM**

I claim the ornamental design for furniture with drawers, as shown and described.

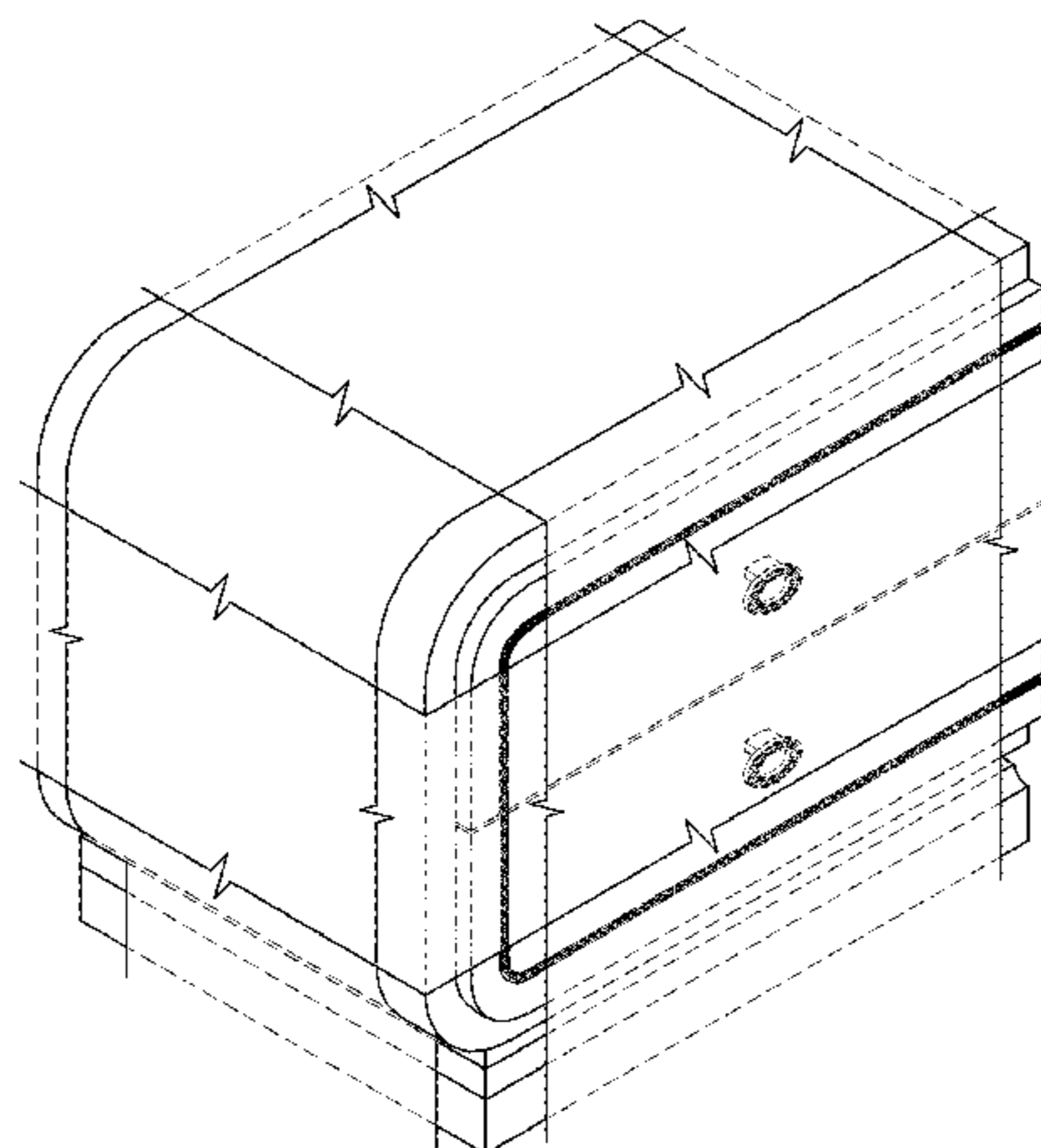
USPC D6/302, 310, 661, 663, 668.1, 668.2,
D6/669, 671, 671.1, 671.2, 705; D5/15,
D5/16, 28, 29, 99; D25/48.4, 113, 163

CPC A47B 55/02; A47B 3/00; A47B 81/005;
A47B 81/00; A47B 67/02; A47B 77/02;
A47B 47/05; A47B 47/024; A47B
47/0066; A47B 87/005; A47B 87/0292;
A47B 43/00; A47B 88/49; A47B 88/90;
A47G 1/12; A47G 1/10; A47G 1/06;
A47G 1/0616; A47F 3/002; A47F 3/0413;
A47F 5/08; A47F 5/116; A47F 5/0018;
A45C 11/16; B42F 17/00; E05C 19/001;
E05C 3/042; E05C 7/04; F25D 21/14;
F25D 23/02; F25D 23/069; F25D
2400/10; F25D 2400/18; G09F 1/12;
G09F 9/10; G09F 15/0012; H05K 9/0062;
Y10T 428/24694; Y10T 403/73; B01D
3/148; B22F 3/1055; B60N 2/60; B60N

DESCRIPTION

FIG. 1 is a perspective view of the furniture with drawers in accordance with the present invention;
 FIG. 2 is a top plan view of the furniture with drawers of FIG. 1;
 FIG. 3 is a front elevational view of the furniture with drawers of FIG. 1;
 FIG. 4 is a first side elevational view of the furniture with drawers of FIG. 1;
 FIG. 5 is a rear elevational view of the furniture with drawers of FIG. 1;
 FIG. 6 is a second side elevational view of the furniture with drawers of FIG. 1;
 FIG. 7 is a bottom plan view of the furniture with drawers of FIG. 1;
 FIG. 8 is an enlarged view of 8 of FIG. 3; and,
 FIG. 9 is an enlarged view of 9 of FIG. 4.

(Continued)



The furniture with drawers is shown with symbolic break lines. The appearance of any portion of the article between the break lines forms no part of the claimed design.

1 Claim, 3 Drawing Sheets

(56)

References Cited

U.S. PATENT DOCUMENTS

D173,938 S 2/1955 Dailey
 2,717,505 A * 9/1955 Andersson F25D 21/14
 220/23.83
 2,799,145 A * 7/1957 Jansen F25D 21/14
 211/134
 D194,782 S 3/1963 Watt, Jr.
 D199,051 S 9/1964 Stone
 3,159,416 A 12/1964 Schlage
 D201,987 S 8/1965 Webster
 3,813,800 A * 6/1974 Turner A47G 1/08
 40/781
 D240,547 S 7/1976 Stanley et al.
 4,070,780 A * 1/1978 Rosenberg A47G 1/065
 40/729
 4,136,470 A * 1/1979 Barz A47G 1/10
 40/782
 4,833,803 A * 5/1989 Schwartz A47G 1/10
 40/783
 5,361,522 A * 11/1994 Green A47G 1/0616
 239/58
 5,524,370 A * 6/1996 Roy A47G 1/06
 40/748
 5,659,991 A * 8/1997 Kennedy A47G 1/06
 40/729
 D386,383 S 11/1997 Lougee

5,732,496 A * 3/1998 Tanaka A47G 1/0611
 40/784
 D393,162 S 4/1998 Bargagli-Stoffi
 D441,576 S 5/2001 Foster
 D455,640 S 4/2002 Hansen
 6,532,778 B2 3/2003 Molzer et al.
 D492,502 S 7/2004 Domack
 D497,098 S 10/2004 Magnusson
 D521,768 S 5/2006 Black
 D527,926 S 9/2006 Domack et al.
 D554,388 S 11/2007 Leigh
 D567,061 S 4/2008 Paige et al.
 D578,373 S 10/2008 Paige et al.
 D581,767 S 12/2008 Thompson
 D586,162 S 2/2009 Schmitt
 D625,165 S 10/2010 King
 D631,272 S 1/2011 O'Brien et al.
 D632,112 S 2/2011 Sakuma
 D674,630 S 1/2013 Schmitt
 D675,848 S 2/2013 Roser, Jr.
 D691,019 S 10/2013 Sakuma
 D702,473 S 4/2014 Litt
 D720,981 S 1/2015 Kaishian et al.
 D734,052 S 7/2015 Glattstein et al.
 D734,053 S 7/2015 Glattstein et al.
 D771,428 S 11/2016 Schmitt
 D772,631 S 11/2016 Schmitt
 D785,706 S * 5/2017 Hoch D19/113
 D790,890 S * 7/2017 Everson D6/671.1
 2005/0129460 A1 * 6/2005 Medcalf B06B 3/5454
 403/403
 2008/0259573 A1 * 10/2008 Besserer G09F 1/12
 361/724
 2009/0079311 A1 3/2009 Lai
 2010/0043268 A1 * 2/2010 Powell A47G 1/10
 40/741
 2015/0272350 A1 * 10/2015 Frankenstein A47G 1/06
 40/711

* cited by examiner

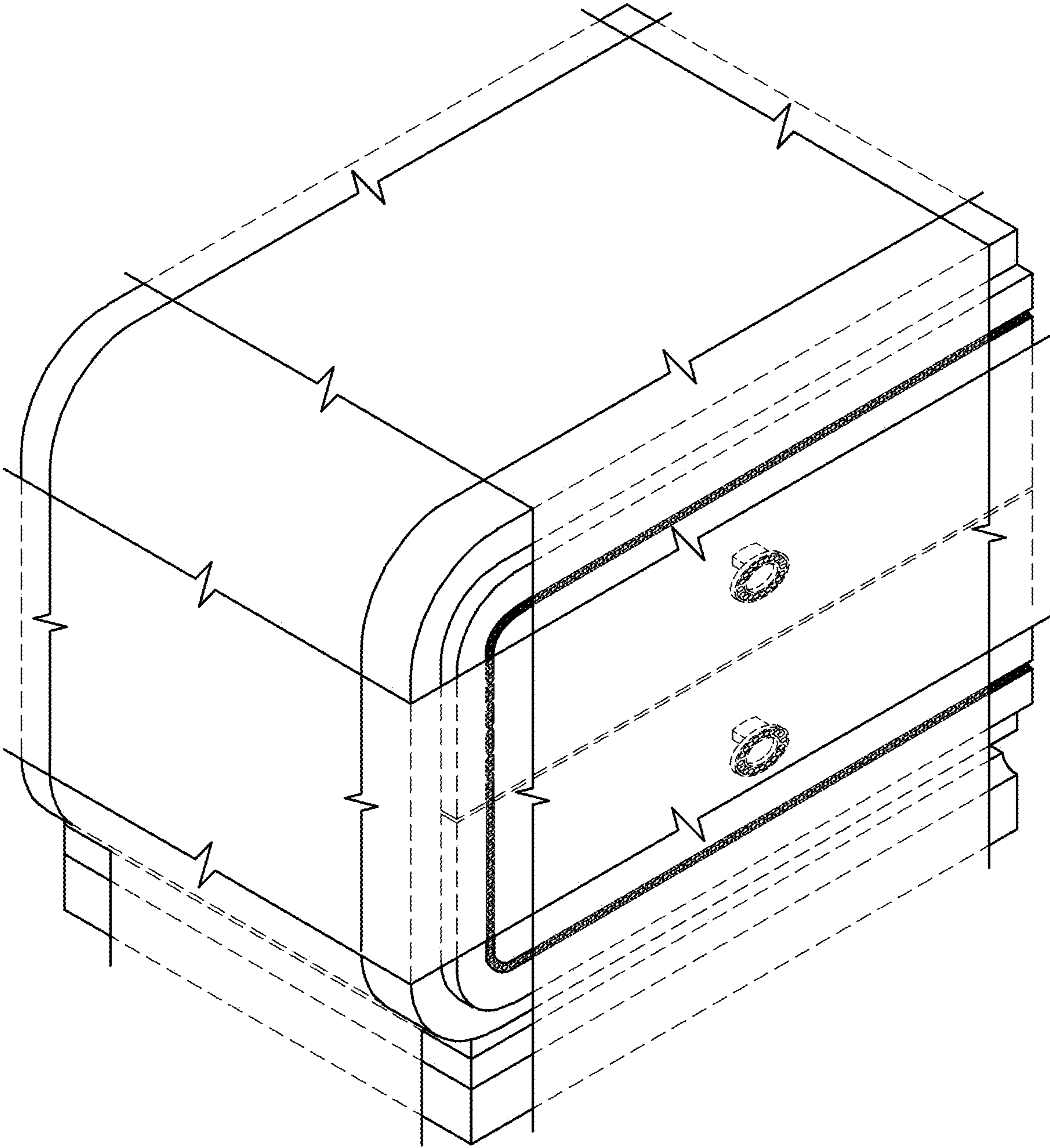


FIG. 1

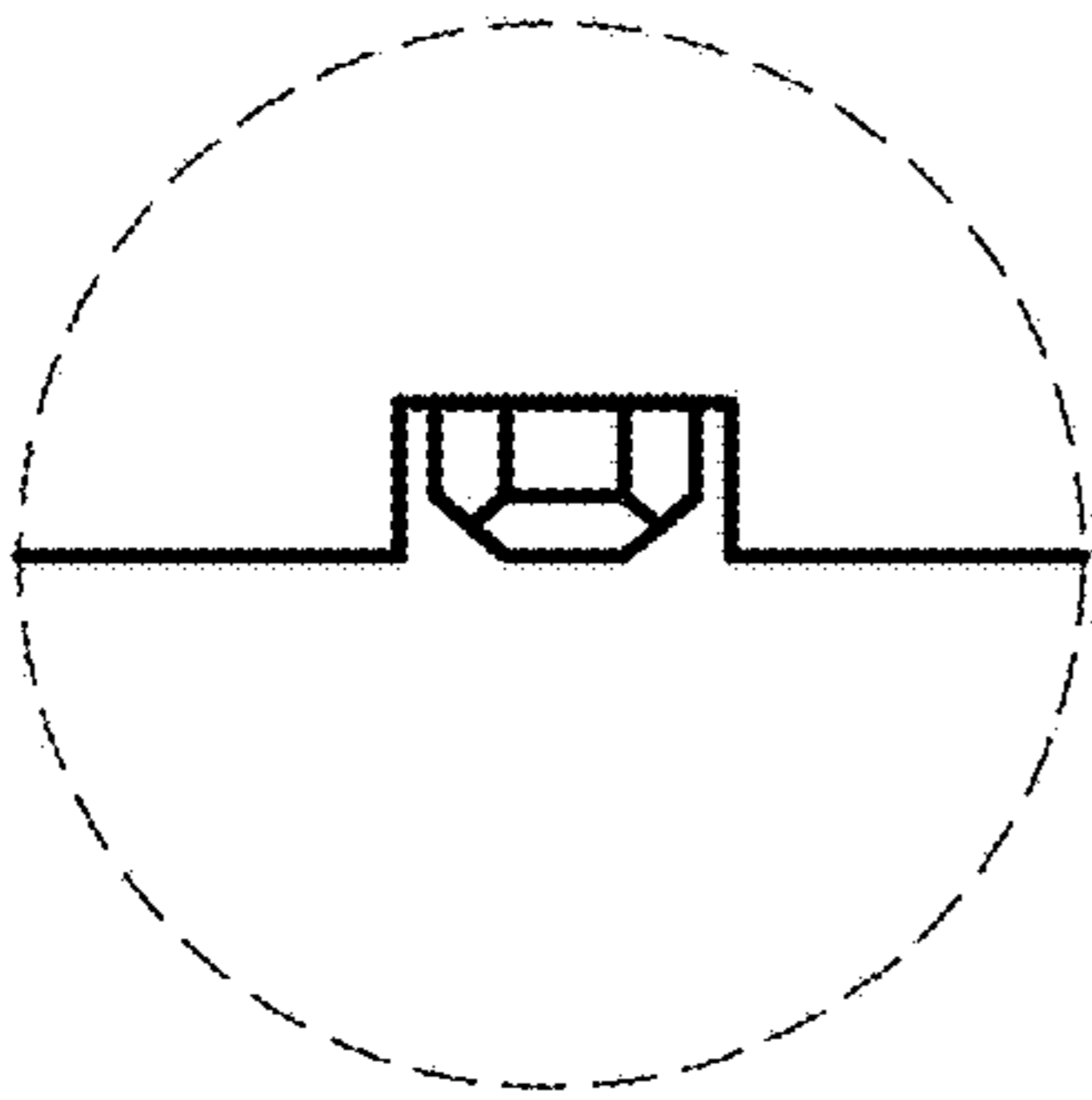


FIG. 9

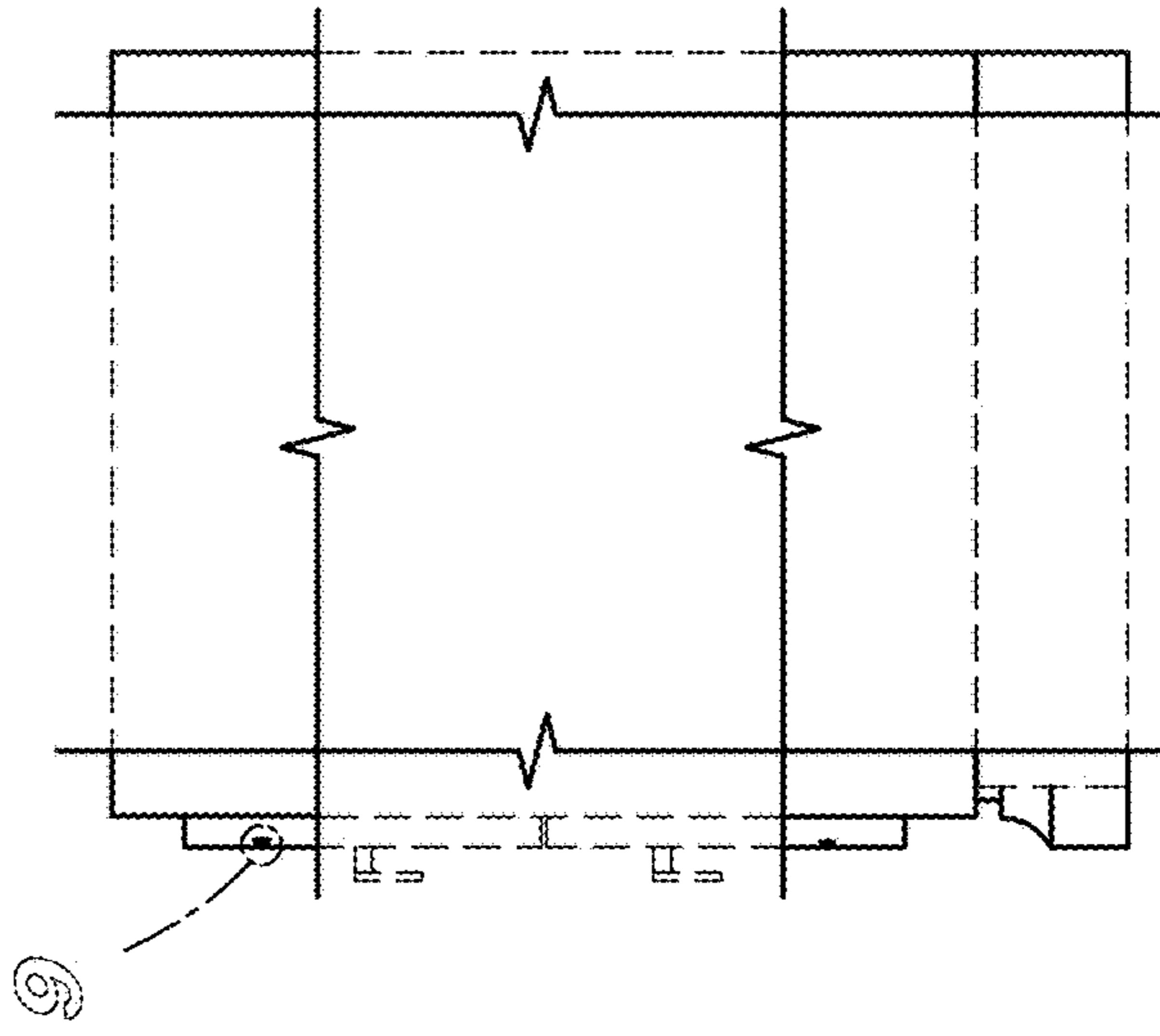


FIG. 4

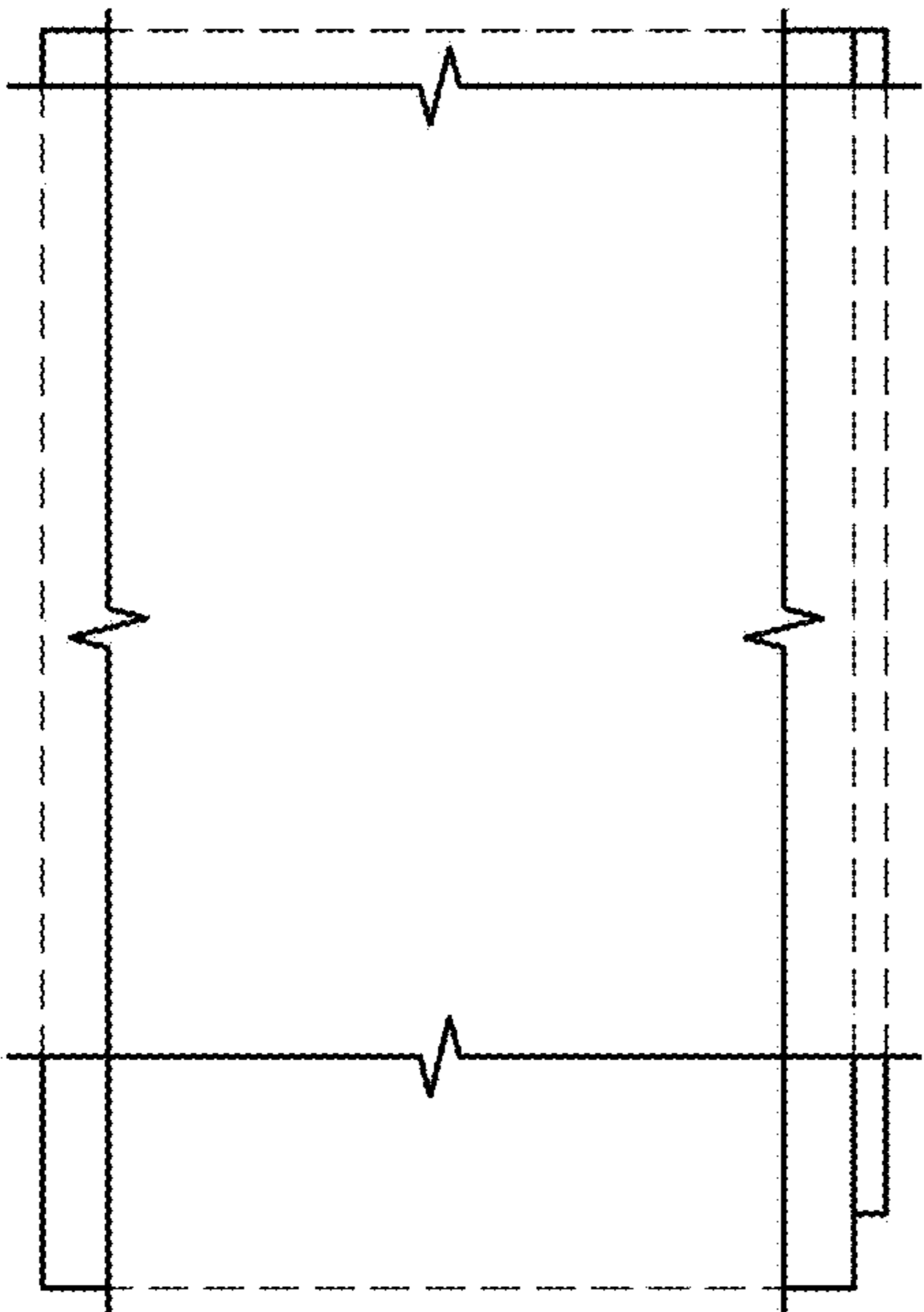


FIG. 2

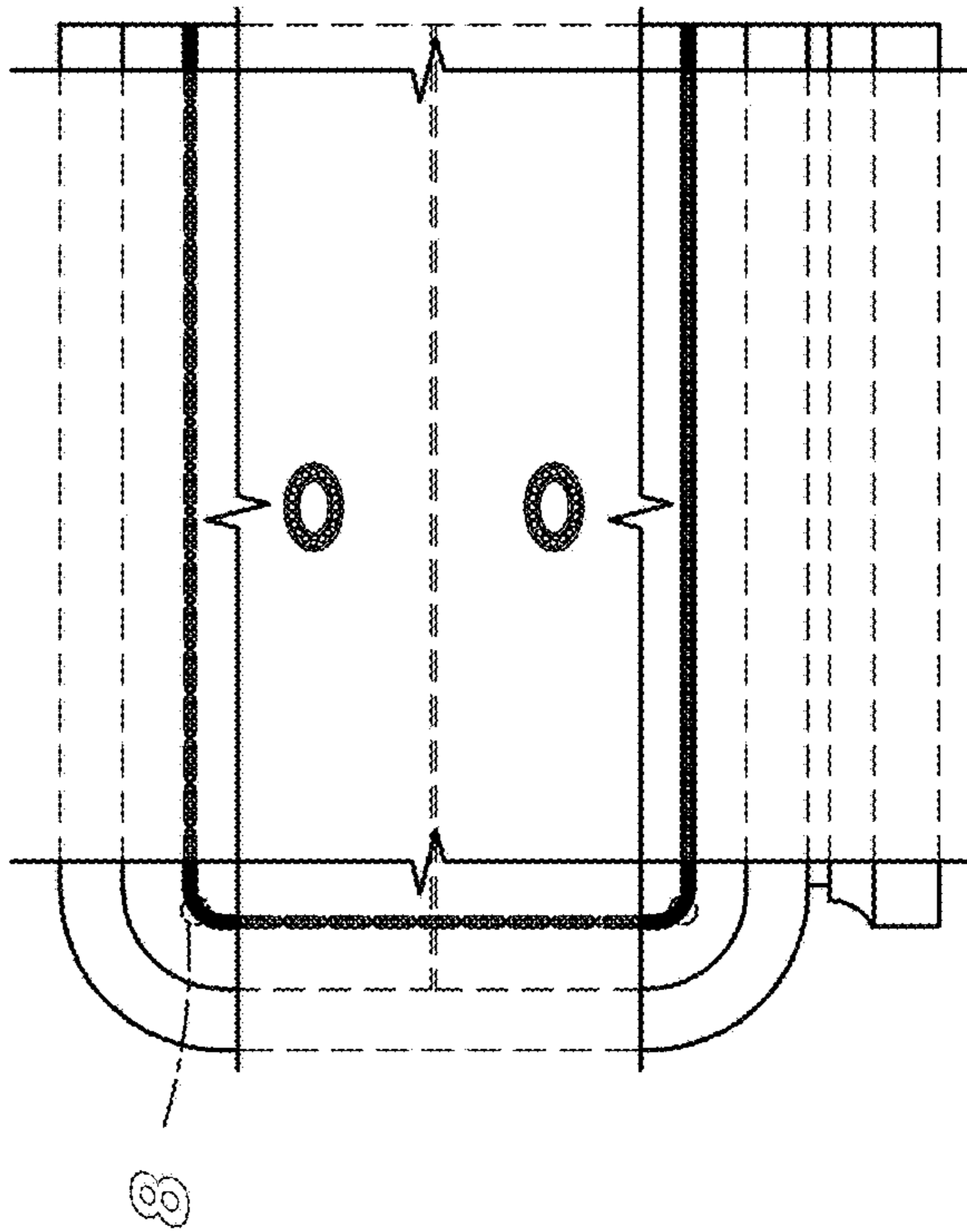


FIG. 3

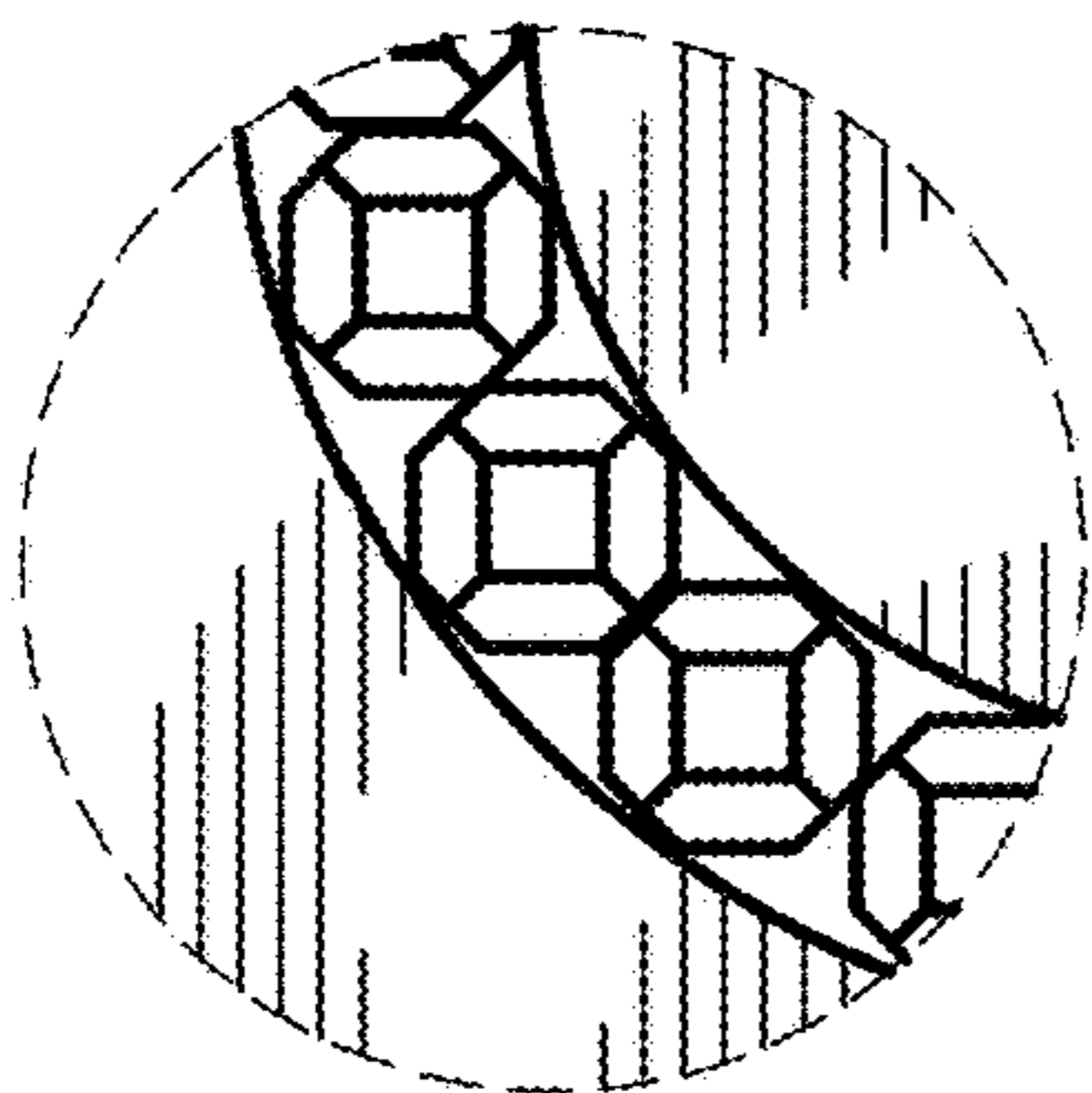


FIG. 8

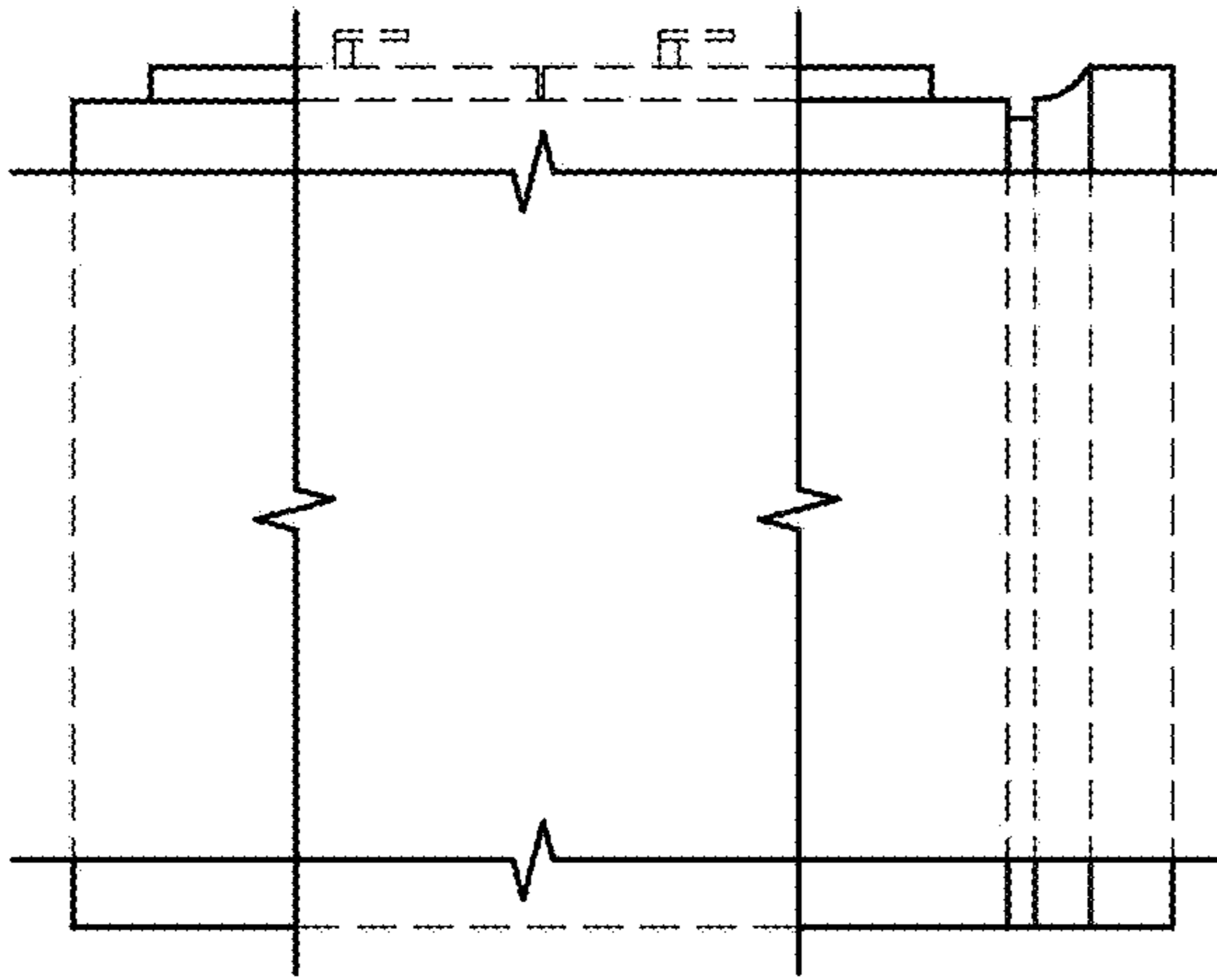


FIG. 6

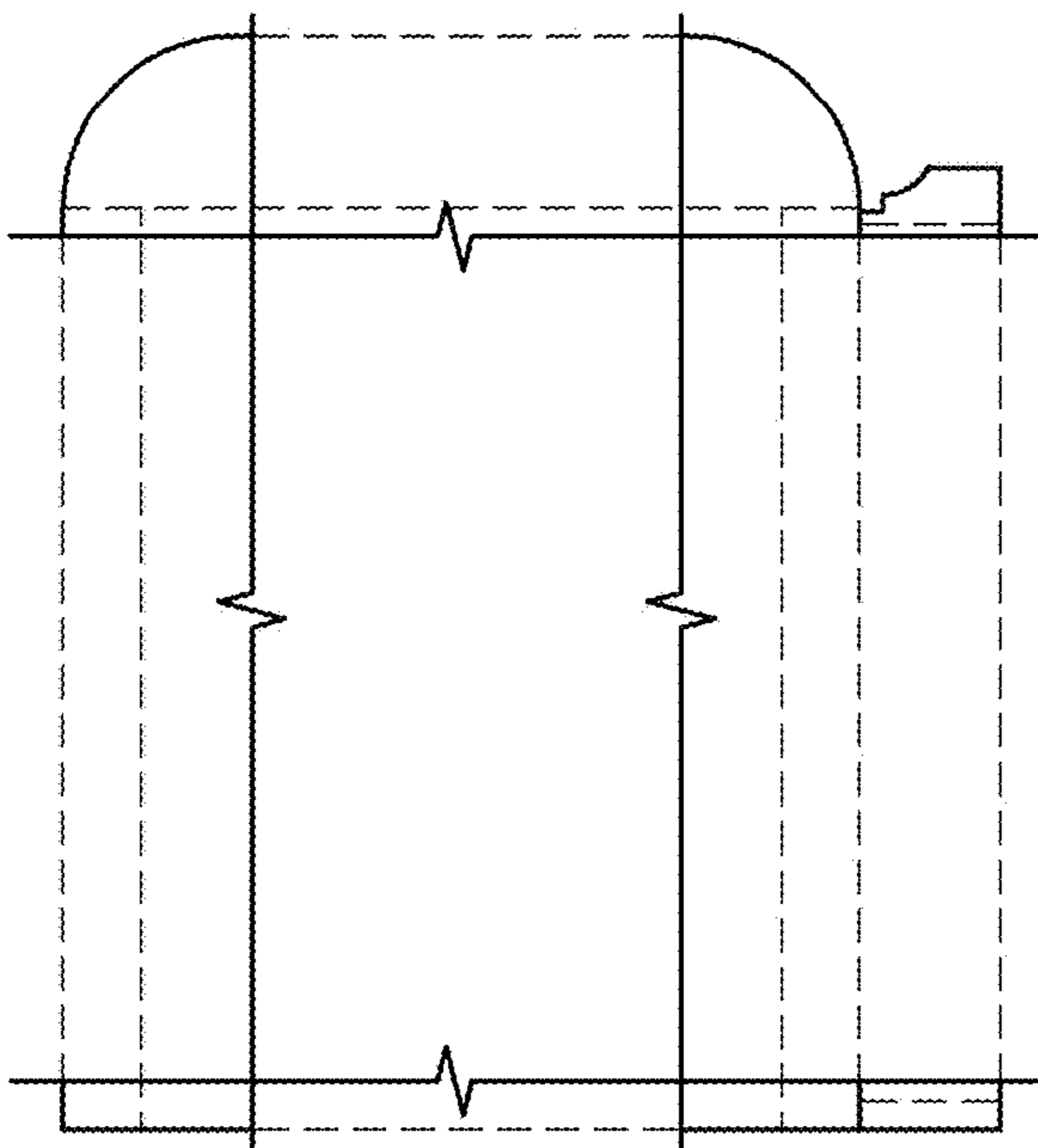


FIG. 5

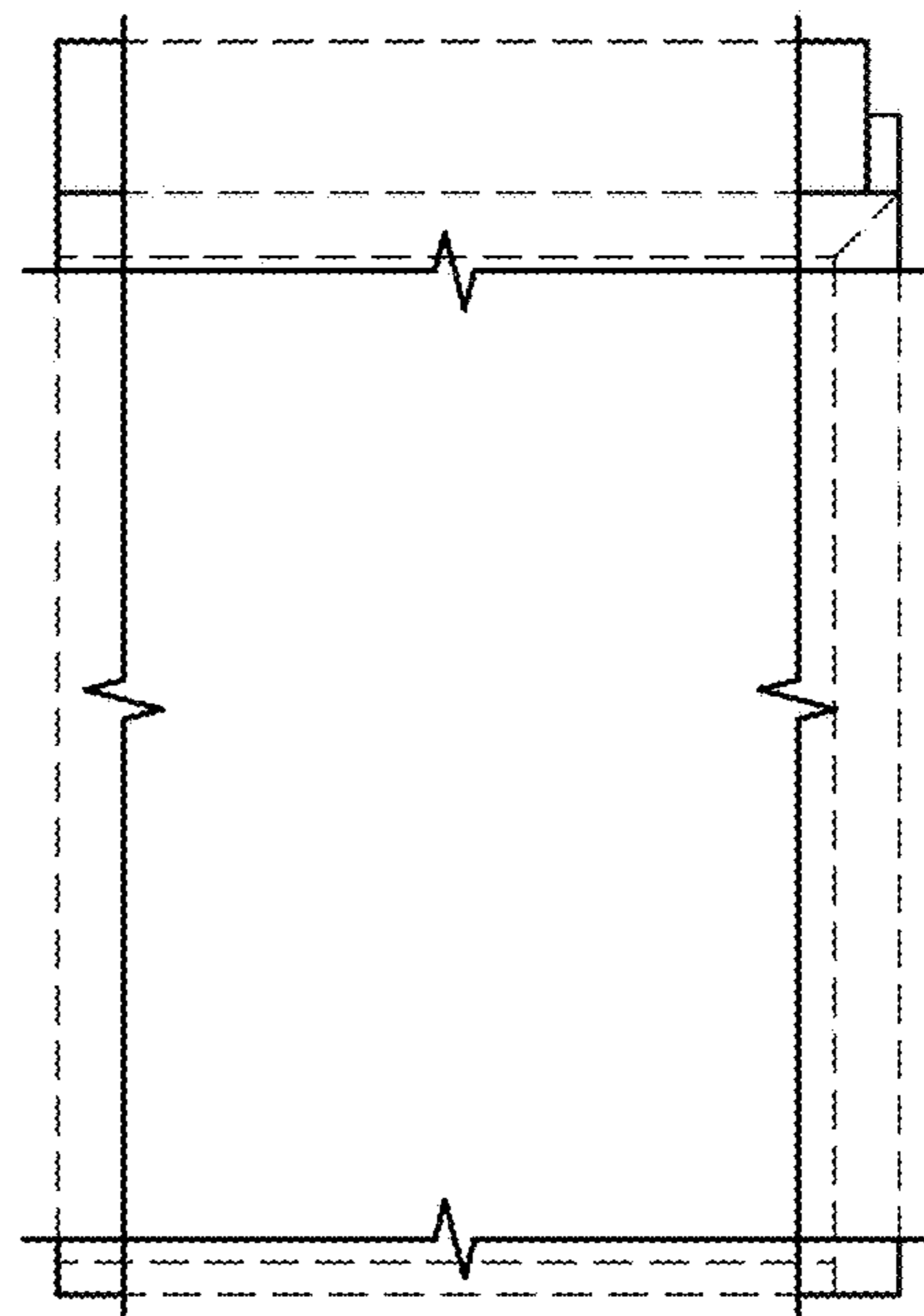


FIG. 7