



US00D841370S

(12) **United States Design Patent** (10) **Patent No.:** **US D841,370 S**
Theisen et al. (45) **Date of Patent:** **** Feb. 26, 2019**

- (54) **DISPLAY UNIT**
- (71) Applicant: **Target Brands, Inc.**, Minneapolis, MN (US)
- (72) Inventors: **Jennifer A. Theisen**, Crystal, MN (US); **William Y. Stafford**, Minnetrista, MN (US); **Benjamin Weshler**, New York, NY (US)
- (73) Assignee: **Target Brands, Inc.**, Minneapolis, MN (US)
- (**) Term: **15 Years**
- (21) Appl. No.: **29/613,620**
- (22) Filed: **Aug. 11, 2017**
- (51) **LOC (11) Cl.** **06-04**
- (52) **U.S. Cl.**
USPC **D6/657**
- (58) **Field of Classification Search**
USPC D6/560, 642, 654.1, 657, 661, 664, 672, D6/673, 675, 675.1, 675.3, 699; D34/20; D30/101
CPC B65D 5/545; B65D 5/26; B65D 5/0015; B65D 5/0045; B65D 1/34; B65D 21/00; B65D 81/3813; G09F 13/0413; A47F 5/103; A47F 5/105; A47F 5/0018; A47F 5/0043; A47F 7/146; A47F 2003/046; A47B 81/061
See application file for complete search history.

- D679,521 S * 4/2013 Hamm D6/672
- D712,692 S * 9/2014 McManic D6/702
- D713,659 S * 9/2014 Stafford D6/675
- D717,085 S * 11/2014 Trinh D6/675
- D732,854 S * 6/2015 Engebretson D6/657
- D741,091 S * 10/2015 Tio D6/675
- 9,192,251 B1 * 11/2015 Theisen A47F 5/0018
- D758,106 S * 6/2016 Hamm D6/672
- D769,651 S * 10/2016 Tio D6/675
- 9,538,859 B1 * 1/2017 Johnson A47F 5/0043
- D787,869 S * 5/2017 Denby D6/698
- D806,447 S * 1/2018 Burton D6/657
- D806,448 S * 1/2018 Burton D6/657
- D807,086 S * 1/2018 Tio D6/675
- D823,030 S * 7/2018 Theisen D6/675
- 10,024,662 B2 * 7/2018 Bryan A47F 10/00
- 10,064,538 B2 * 9/2018 Min A47L 15/4257

(Continued)

Primary Examiner — Kevin K Rudzinski
Assistant Examiner — Paul D Bohannon
(74) *Attorney, Agent, or Firm* — Leanne Taveggia Farrell; Westman, Champlin & Koehler, P.A.

(57) **CLAIM**

The ornamental design for a display unit, as shown and described.

DESCRIPTION

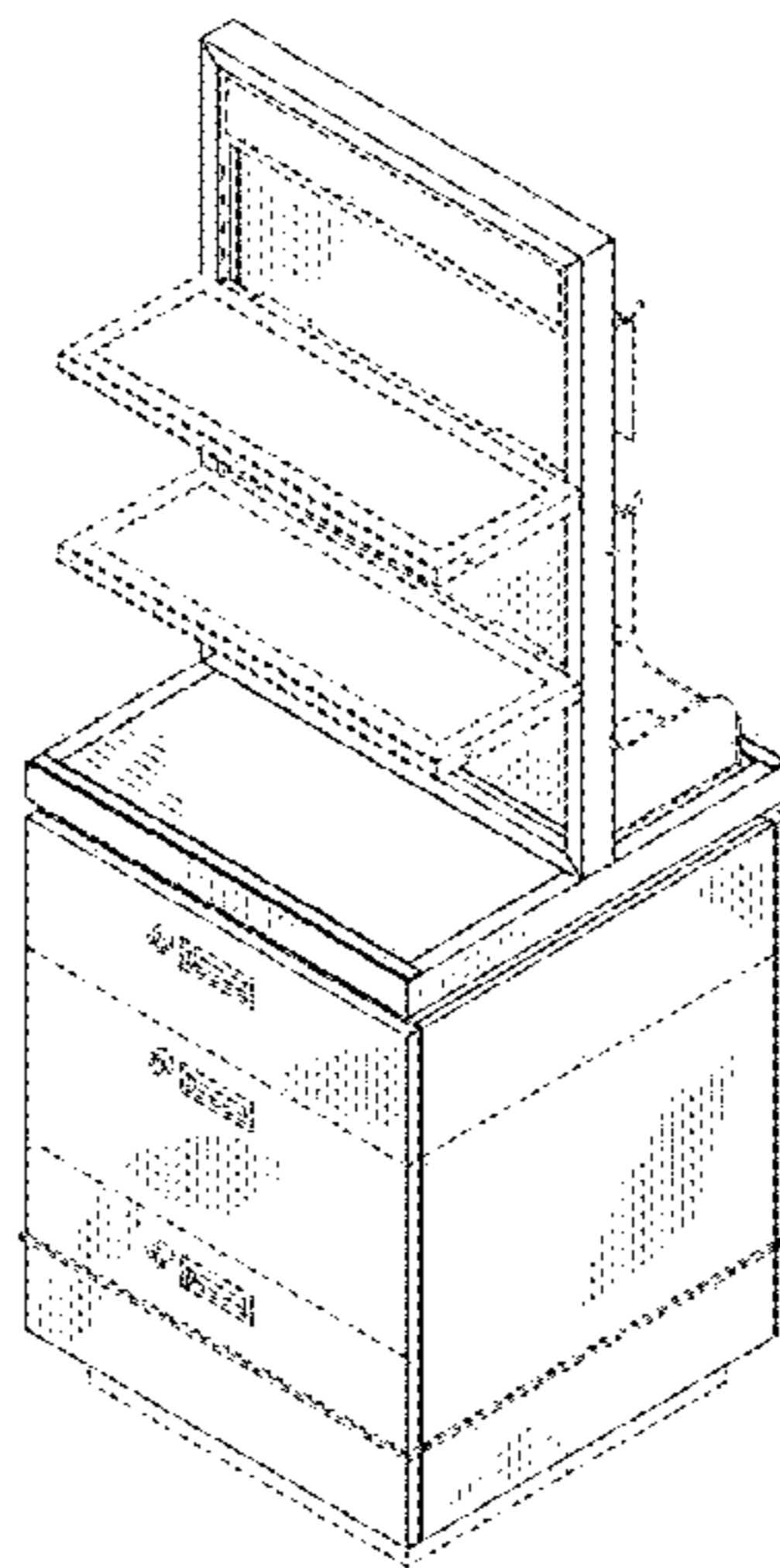
FIG. 1 is a front perspective view of a display unit showing our new design;
FIG. 2 is a back perspective view thereof;
FIG. 3 is a front view thereof;
FIG. 4 is a back view thereof;
FIG. 5 is a left side view thereof;
FIG. 6 is a right side view thereof; and,
FIG. 7 is a top view thereof.
The broken lines shown in the drawings are included for purposes of illustrating portions of the display unit and form no part of the claimed design.

1 Claim, 5 Drawing Sheets

(56) **References Cited**

U.S. PATENT DOCUMENTS

- 4,116,509 A * 9/1978 Smith A47B 47/00 108/108
- D290,204 S * 6/1987 Bruget D6/675.1
- D323,944 S * 2/1992 Maas D13/119
- 5,577,817 A * 11/1996 Reynolds A47B 81/00 126/299 D
- D610,832 S * 3/2010 Rheault D6/657



(56)

References Cited

U.S. PATENT DOCUMENTS

2011/0215688 A1* 9/2011 Jang A47L 15/4293
312/228
2013/0284684 A1* 10/2013 Stukenberg A47G 25/0664
211/59.2
2015/0036326 A1* 2/2015 Maciulewicz A47F 11/10
362/133

* cited by examiner

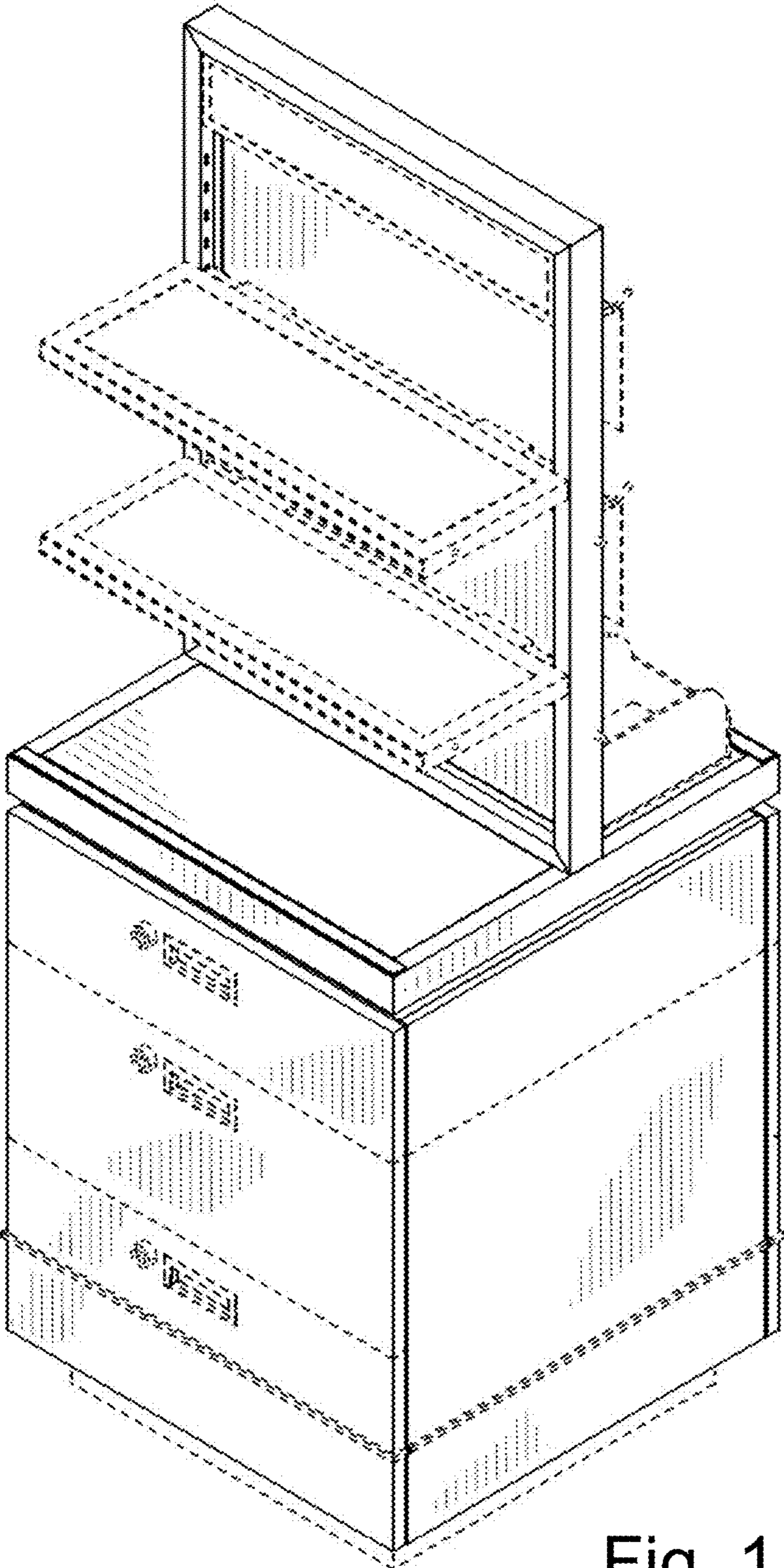


Fig. 1

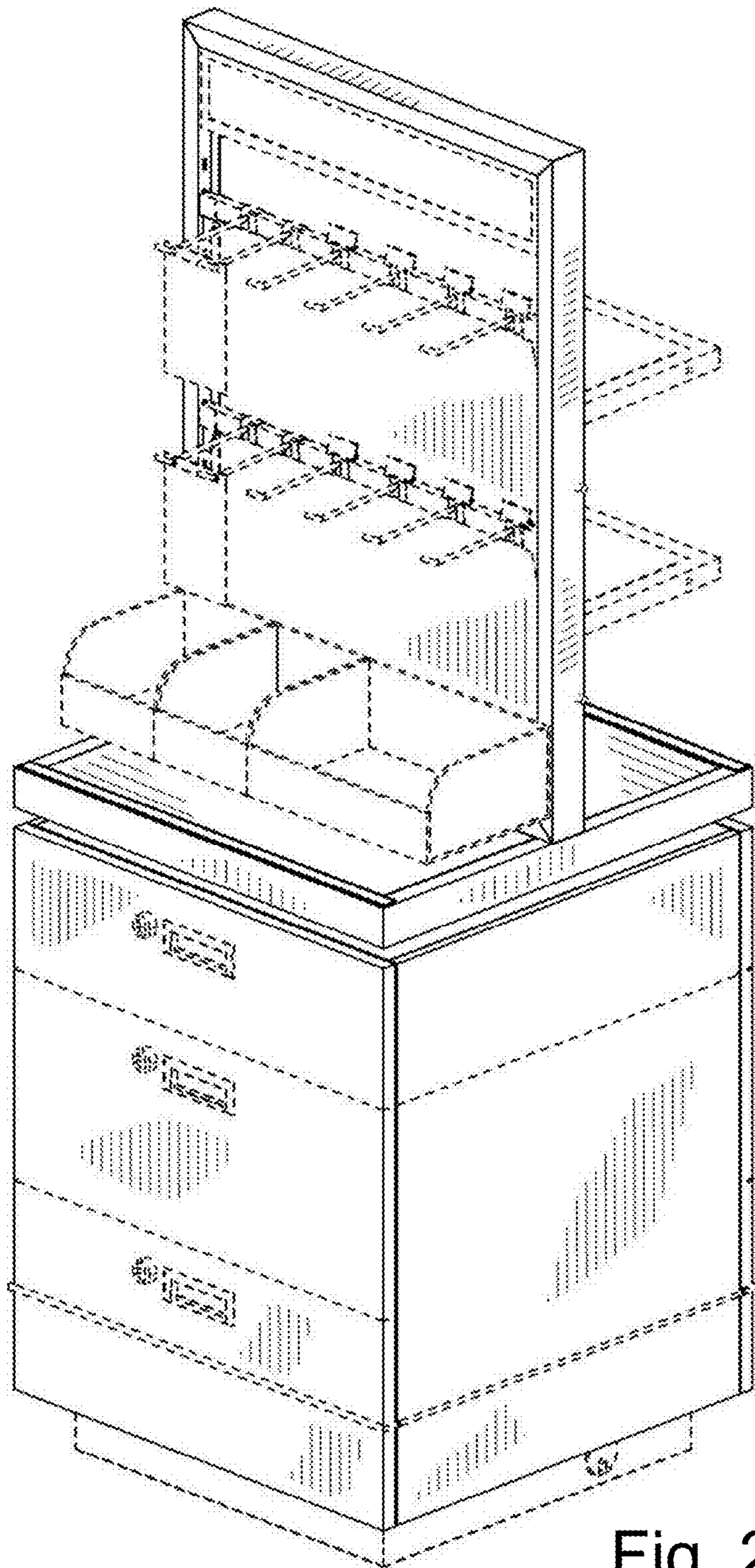


Fig. 2

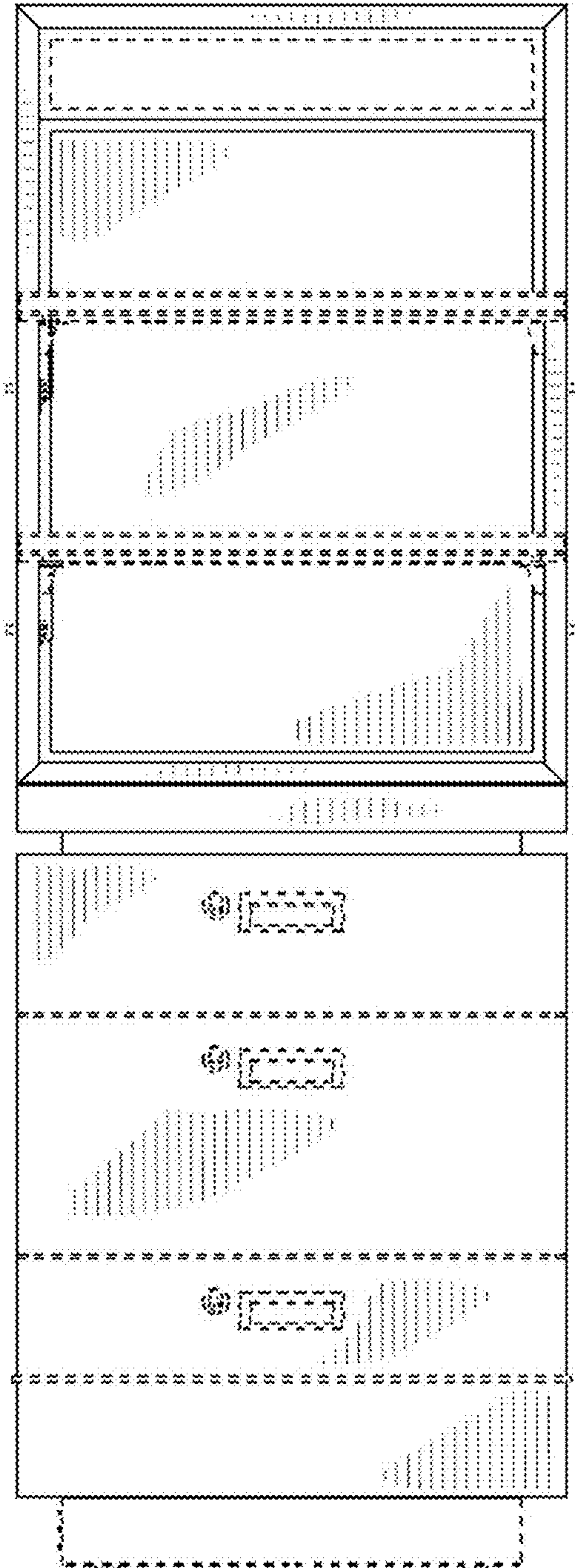


Fig. 3

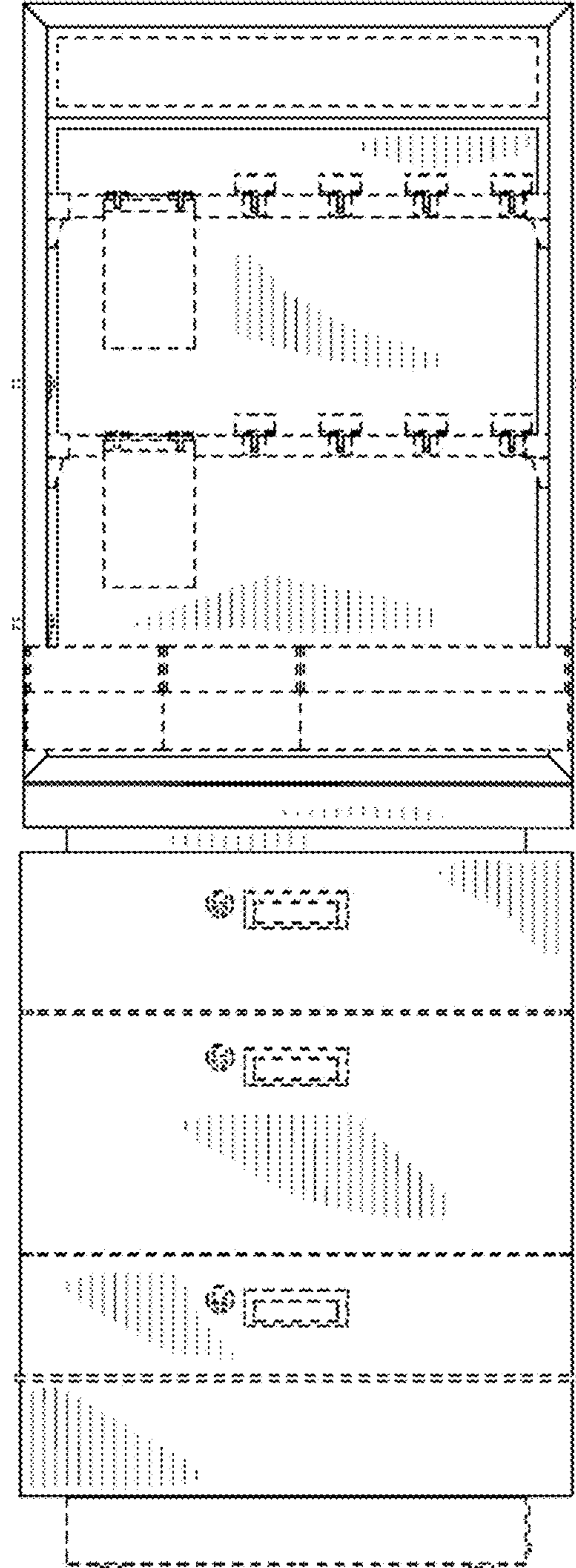


Fig. 4

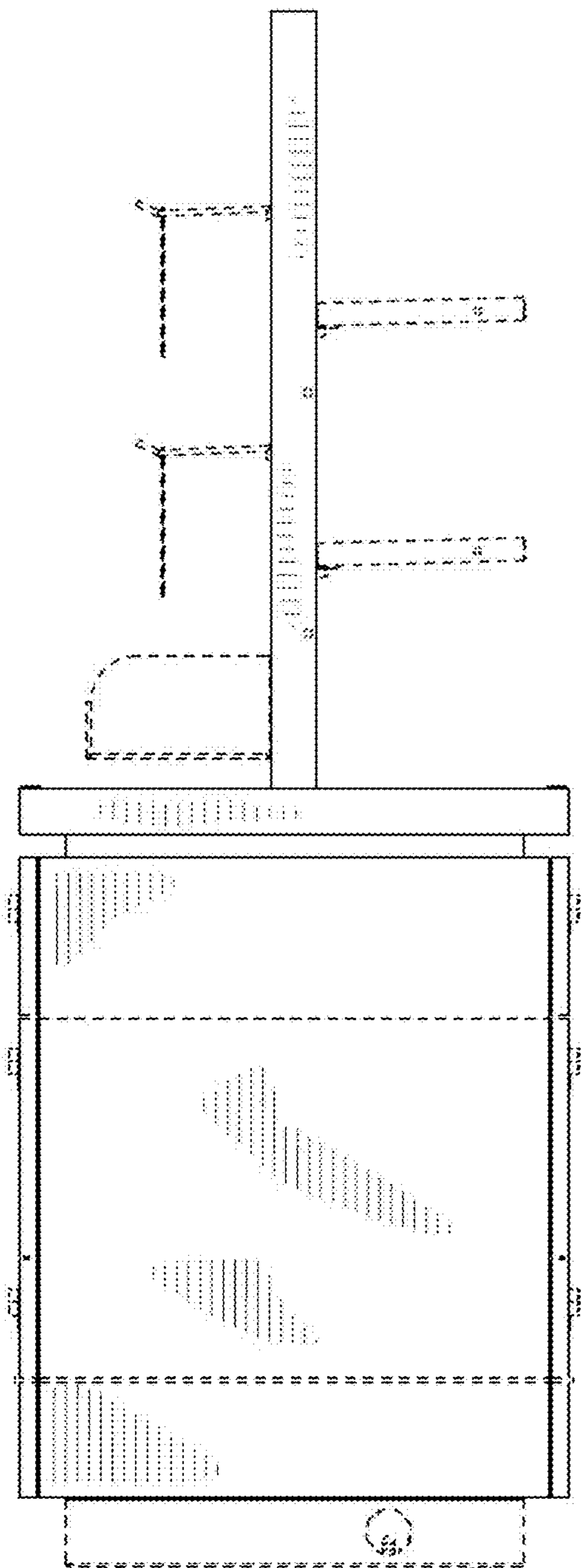


Fig. 5

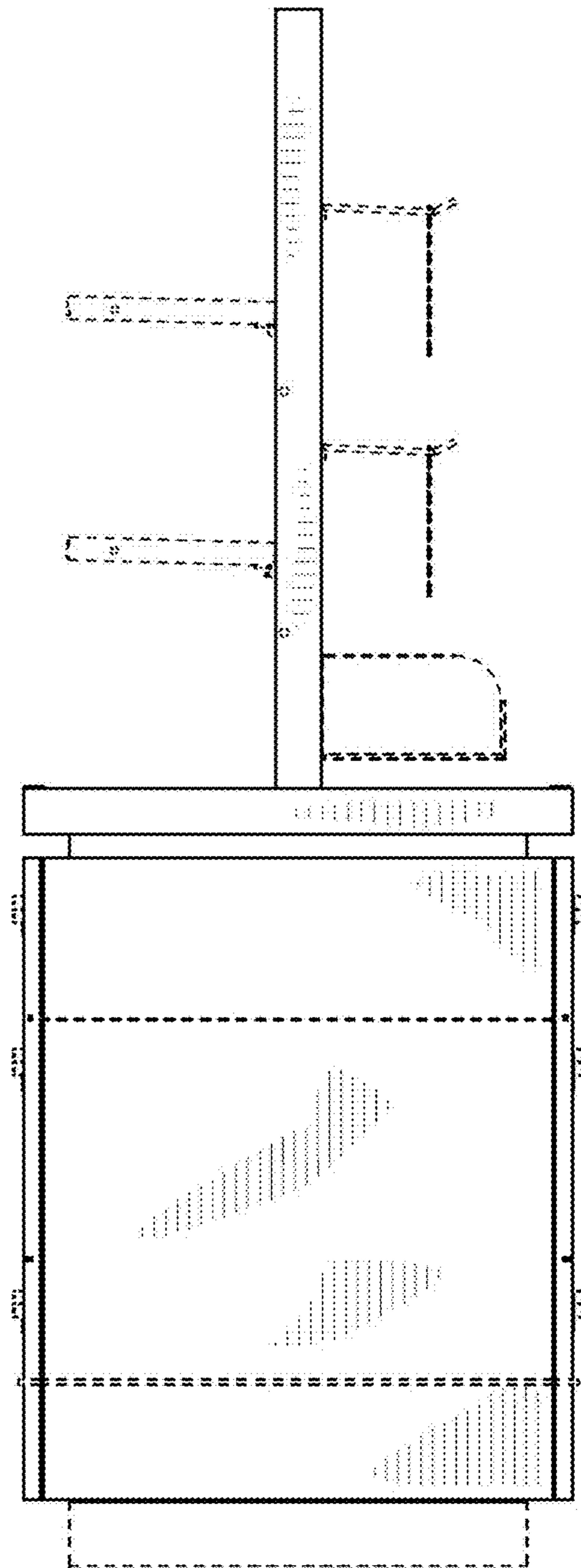


Fig. 6

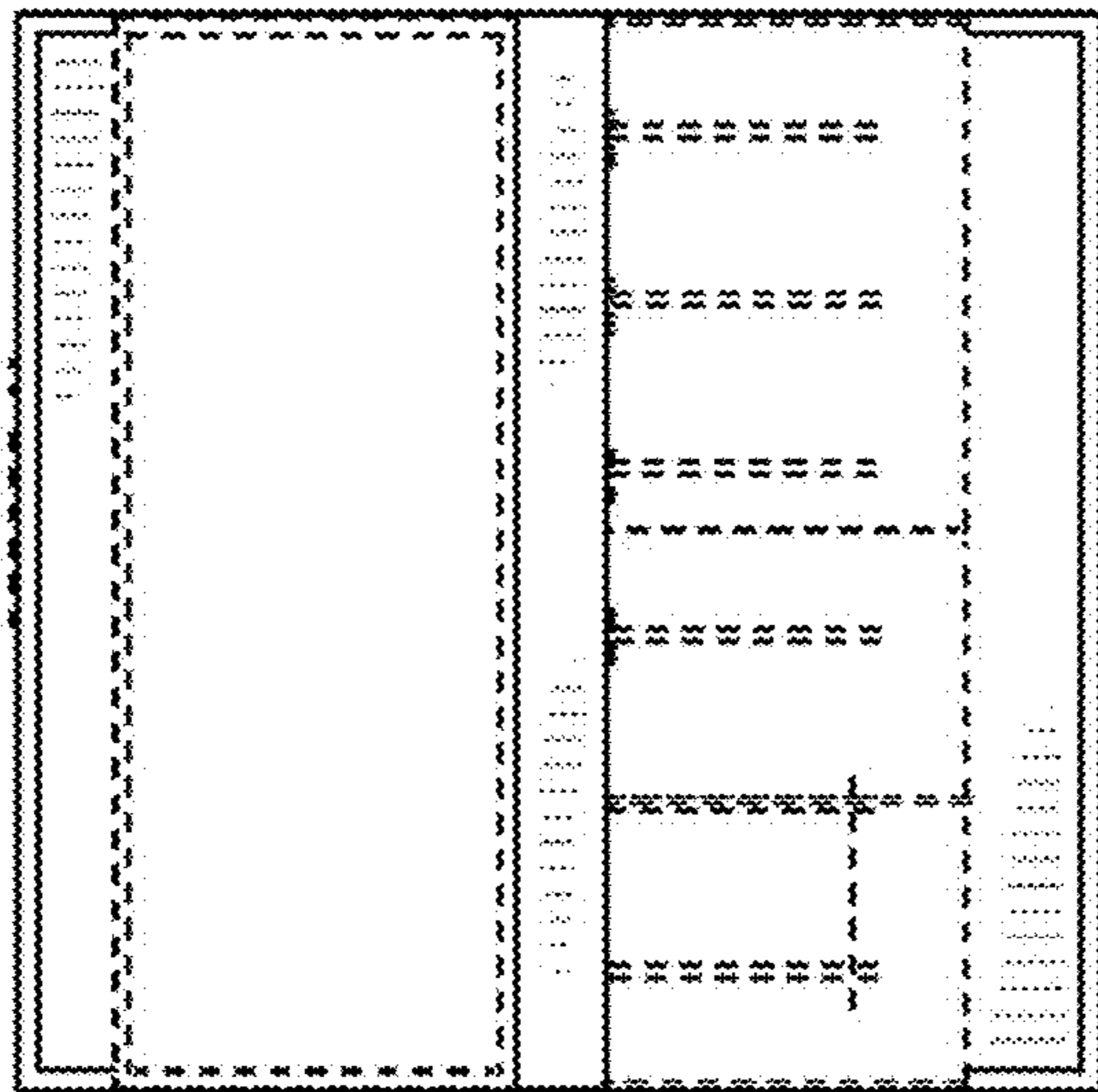


Fig. 7