



US00D841368S

(12) **United States Design Patent**
Lesizza et al.

(10) **Patent No.:** **US D841,368 S**

(45) **Date of Patent:** **** Feb. 26, 2019**

(54) **SURFACE-MOUNTABLE WORKSTATION
WITH LARGE HORIZONTAL WORK AREA
AND STORAGE**

7,249,700 B1 * 7/2007 Watson B65B 41/16
225/34
7,254,010 B1 8/2007 Hardy 361/679
7,595,995 B2 9/2009 Hock 361/727
7,800,914 B2 9/2010 Dully 361/756

(Continued)

(71) Applicants: **Scott Lesizza**, New York, NY (US);
John Mack, New York, NY (US)

FOREIGN PATENT DOCUMENTS

(72) Inventors: **Scott Lesizza**, New York, NY (US);
John Mack, New York, NY (US)

CN 201076183 Y 6/2008
CN 201595389 U 10/2010

(Continued)

(73) Assignee: **Scott Lesizza**, New York, NY (US)

OTHER PUBLICATIONS

(**) Term: **15 Years**

http://www.visualedtech.com/Datamation/sync_and_charge_32_iphones.htm Model # DS-MDM-NB-SC-16U
<http://www.casecruzer.com/ipad-charging-station/it-10-pack-2620-16.html> Published Sep. 13, 2013.

(Continued)

(21) Appl. No.: **29/567,677**

(22) Filed: **Jun. 10, 2016**

(51) **LOC (11) Cl.** **06-05**

(52) **U.S. Cl.**
USPC **D6/653**

(58) **Field of Classification Search**
USPC D6/641, 653, 653.1, 653.17
CPC A47B 2200/0066; A47B 2200/0067; A47B
2200/68; A47B 2200/0069
See application file for complete search history.

Primary Examiner — R. Johnson
(74) *Attorney, Agent, or Firm* — Ostrolenk Faber LLP

(57) **CLAIM**

The ornamental design for a surface-mountable workstation with large horizontal work area and storage, as shown and described.

DESCRIPTION

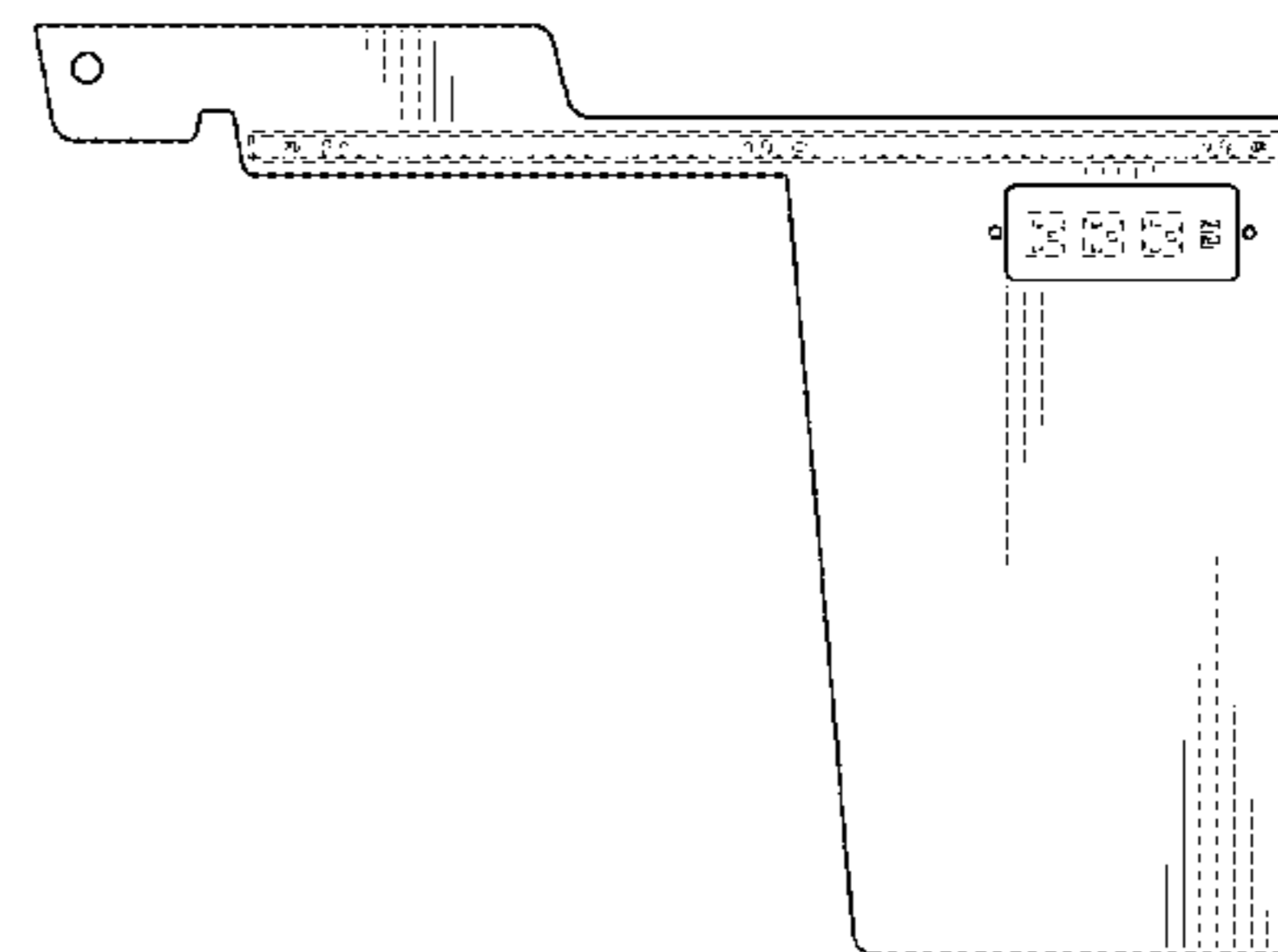
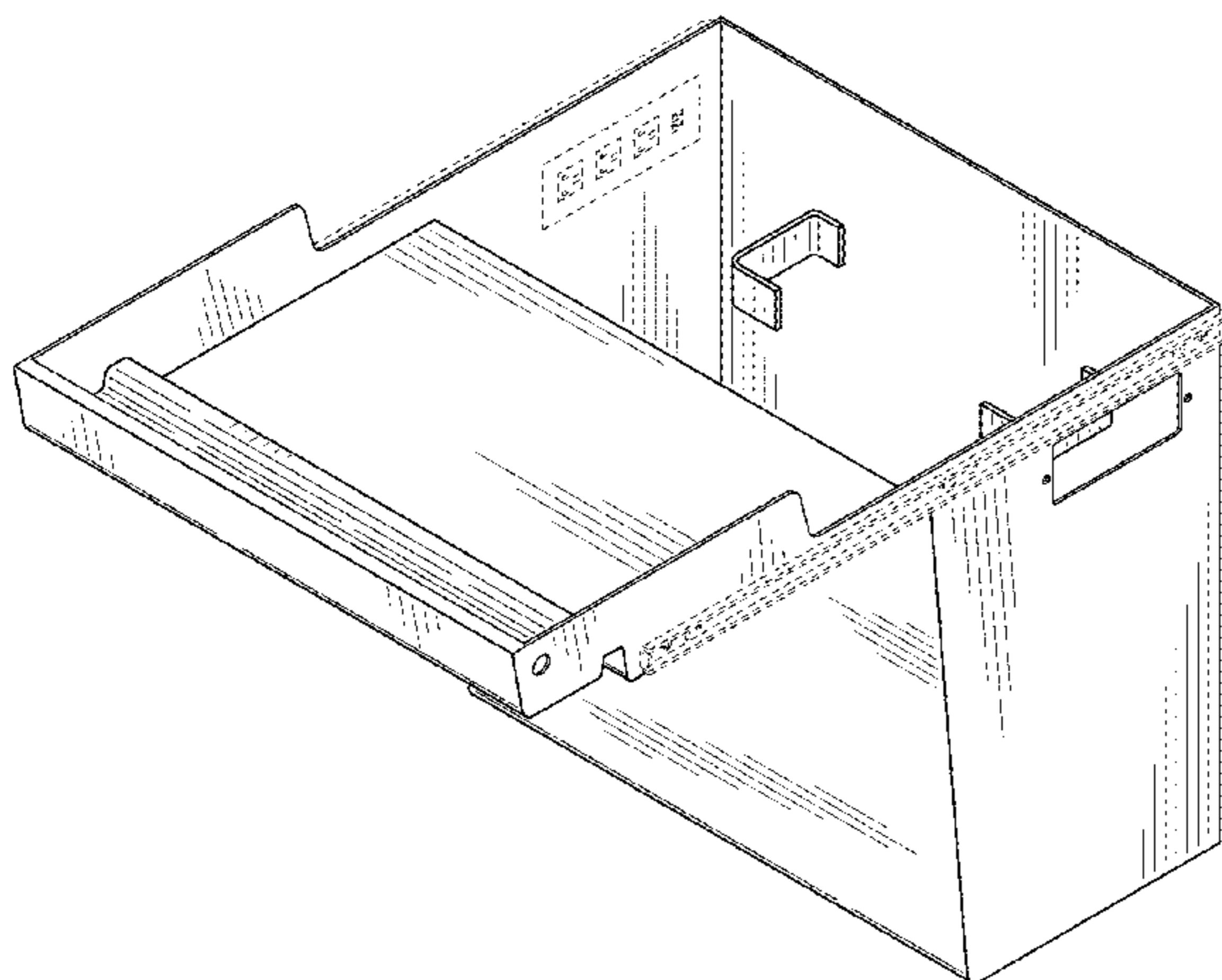
(56) **References Cited**

U.S. PATENT DOCUMENTS

251,255 A * 12/1881 Leibe A47B 13/00
312/232
4,436,353 A * 3/1984 Tucker A47B 3/10
190/11
4,966,258 A * 10/1990 Hawley A45C 9/00
190/12 R
6,241,329 B1 6/2001 Nielsen 312/107
6,336,691 B1 1/2002 Maroney et al. 312/236
6,454,064 B1 * 9/2002 Cheng A45C 9/00
190/11
7,130,190 B1 10/2006 Baker 361/695

FIG. 1 is a top, front, left side perspective view of a first embodiment of a surface-mountable workstation with large horizontal work area and storage illustrating our new design; FIG. 2 is a front view thereof; FIG. 3 is a rear view thereof; FIG. 4 is a left side view thereof; FIG. 5 is a right side view thereof; FIG. 6 is a top view thereof; and, FIG. 7 is a bottom view thereof. The broken lines in the drawings illustrate environmental material that forms no part of the claimed design.

1 Claim, 4 Drawing Sheets



(56)

References Cited

U.S. PATENT DOCUMENTS

7,901,018	B2 *	3/2011	Baughman	A47B 77/02
					190/11
8,127,695	B2 *	3/2012	MacDonald	A47F 9/00
					108/115
8,190,806	B2	5/2012	Petrick	361/679.56
2002/0145368	A1 *	10/2002	Brown	A47B 63/04
					312/313
2005/0062370	A1	3/2005	Miller et al.	312/208.1
2006/0163981	A1 *	7/2006	Conrad	E06B 3/5045
					312/323
2007/0040483	A1	2/2007	Arkay-Leliever	312/194
2012/0280602	A1	11/2012	Baker	312/236
2015/0286835	A1	10/2015	Azoulai	713/193
2018/0229358	A1 *	8/2018	Bozzano	B25H 1/12

FOREIGN PATENT DOCUMENTS

CN	202076827	U	12/2011
CN	202455127	U	9/2012
DE	4018731	C1	2/1992
FR	2845580	A1 *	4/2004
		 A47B 21/0073
JP	H10211037	A	8/1998
JP	2003230229	A	8/2003

OTHER PUBLICATIONS

“Docking Drawer,” <http://www.dockingdrawer.com/?gclid=CMqx6KWm5r4CFWNnOgodaXMAog> http://www.dockingdrawer.com/store/c1/Featured_Products.html, 2014.
 iDrawer, <http://www.smartdesks.com/ipad-protection-lock-storage-drawer.asp>, 2013.

* cited by examiner

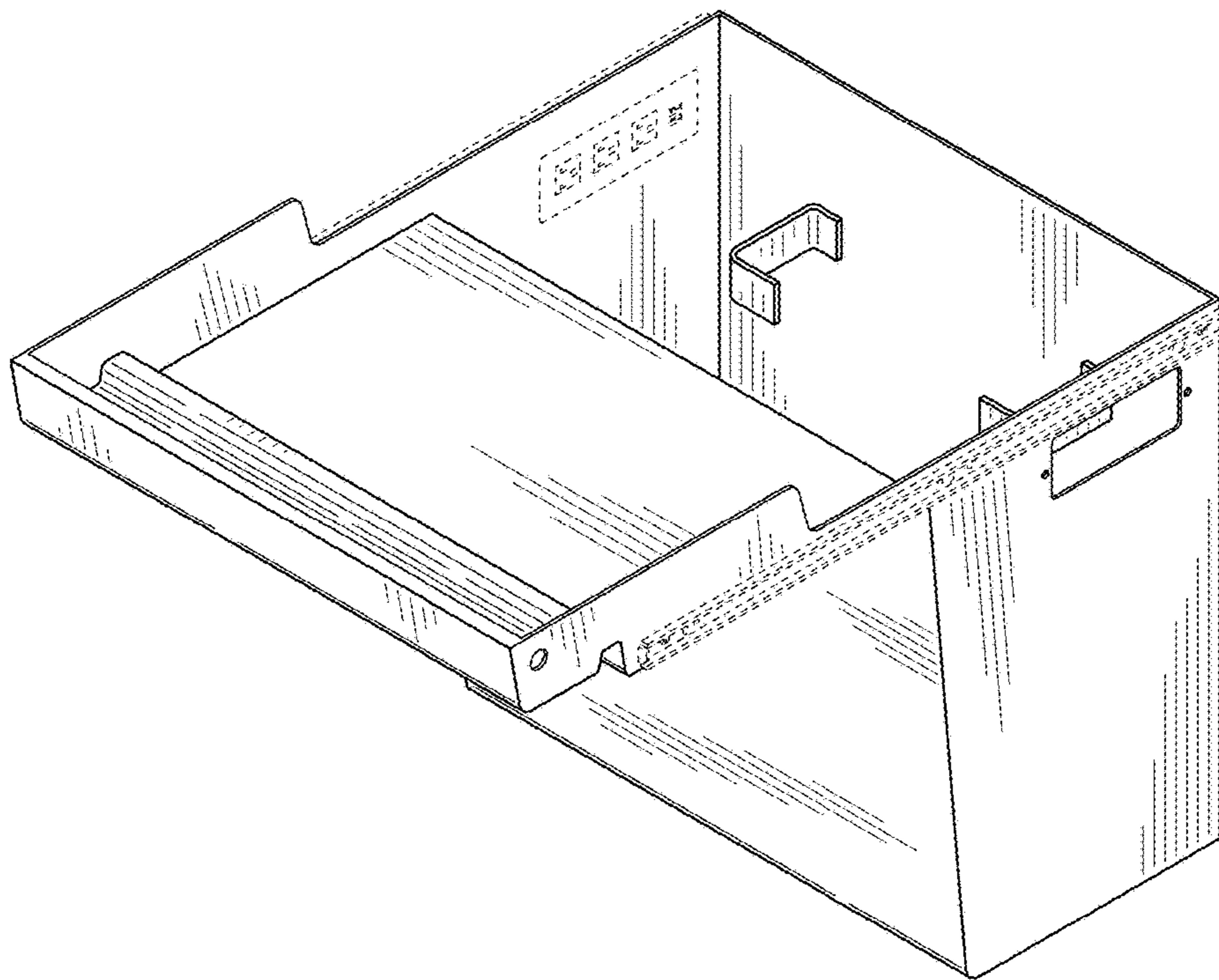


FIG. 1

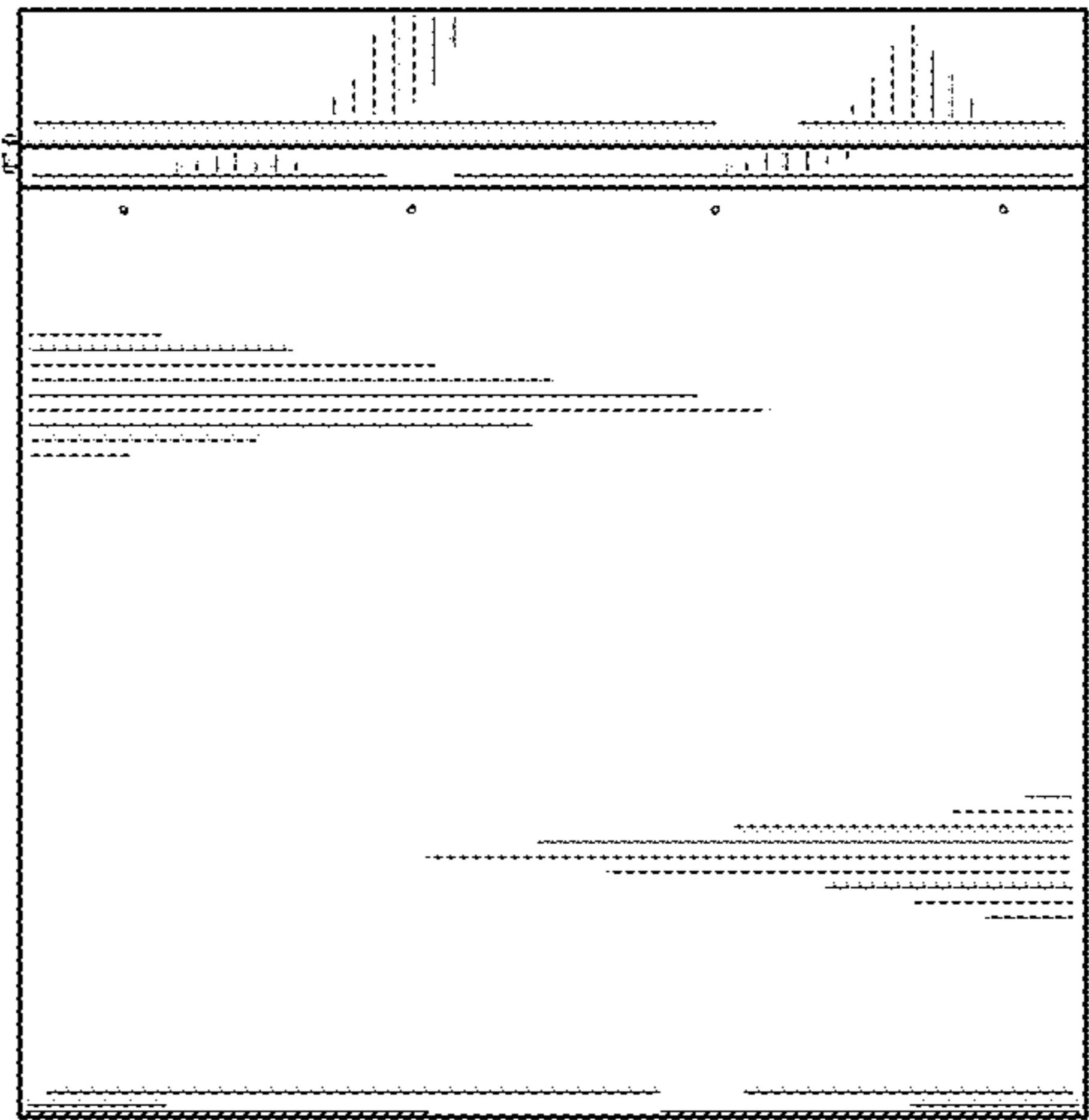


FIG. 2

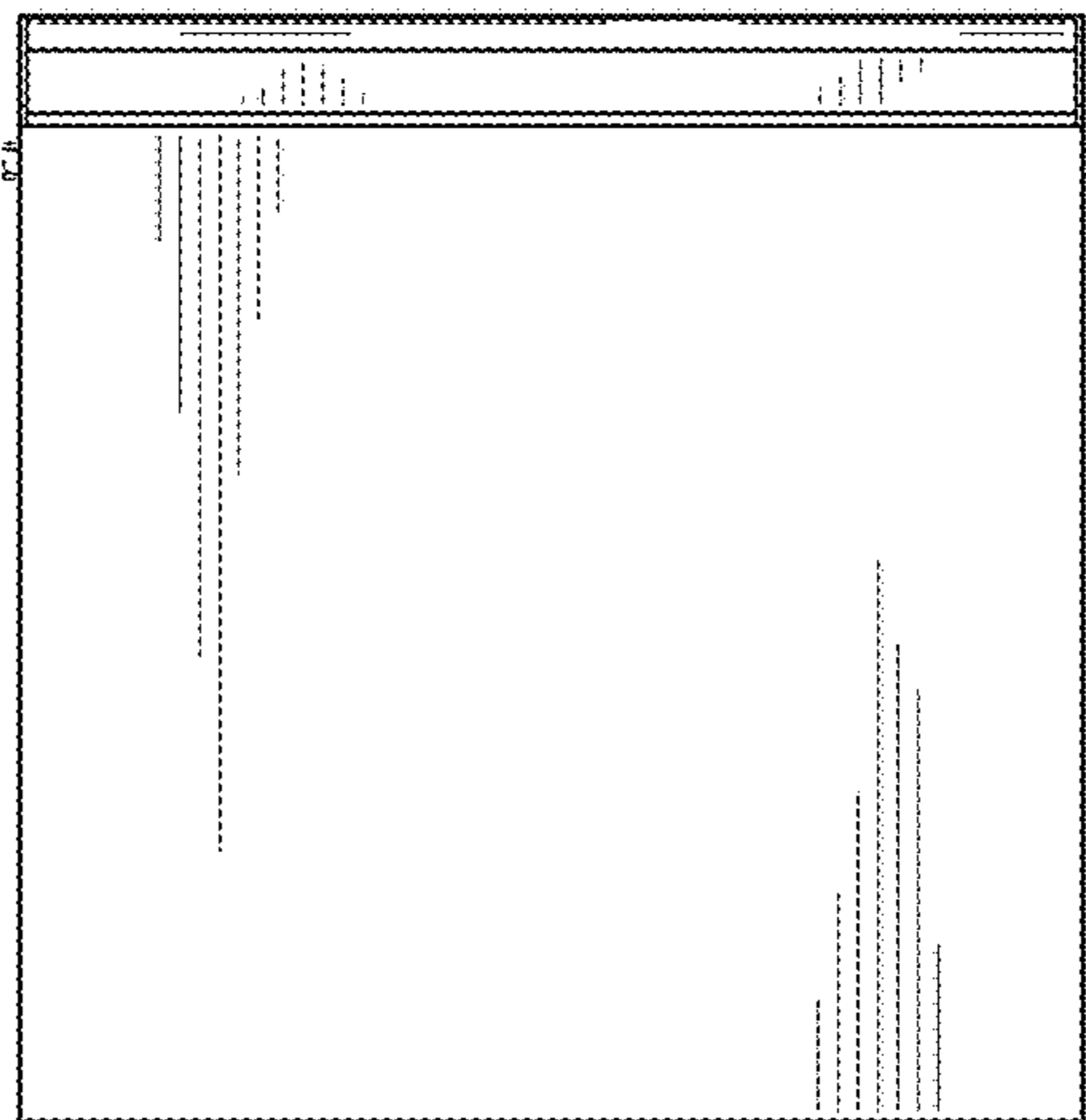


FIG. 3

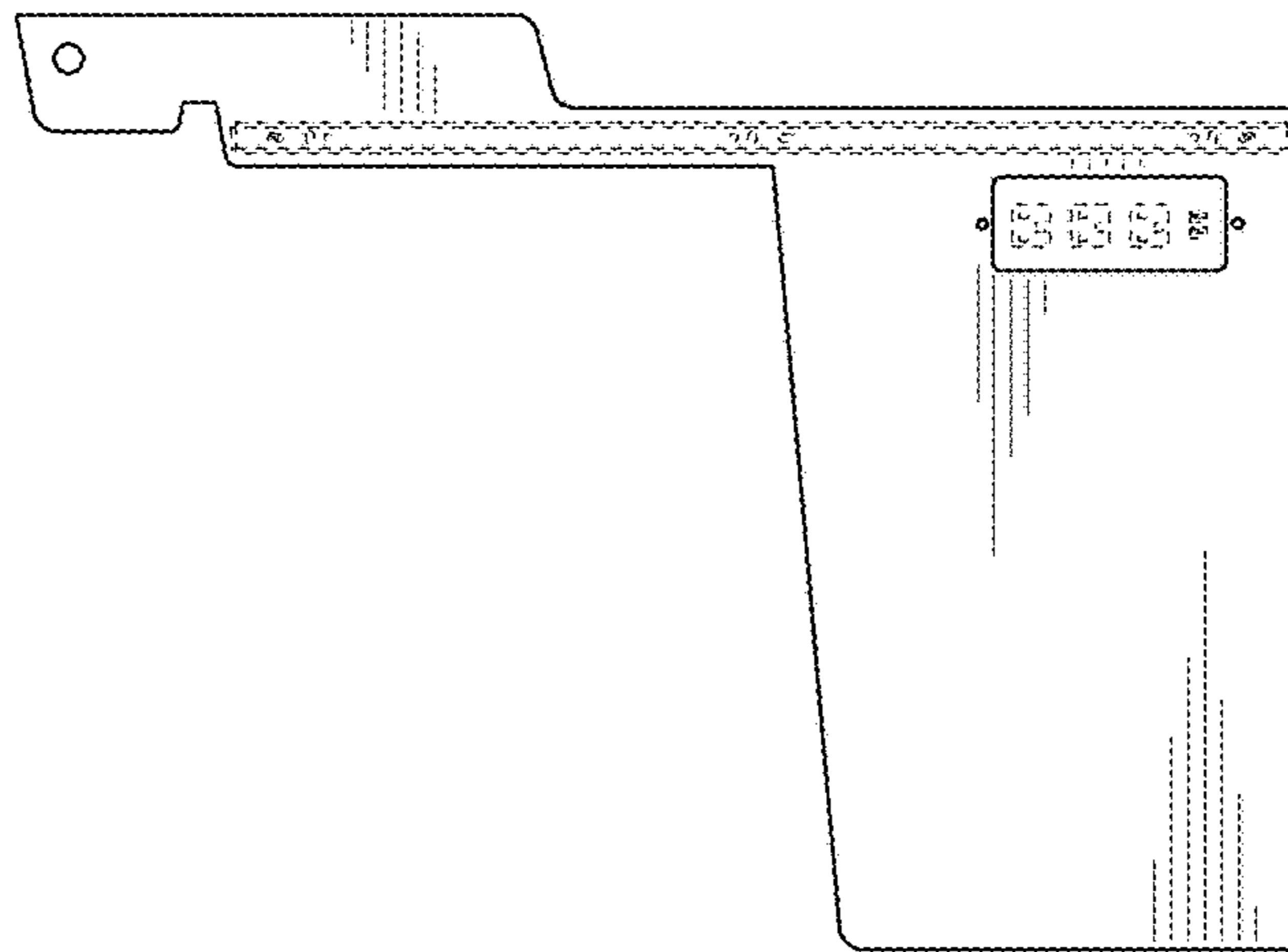


FIG. 4

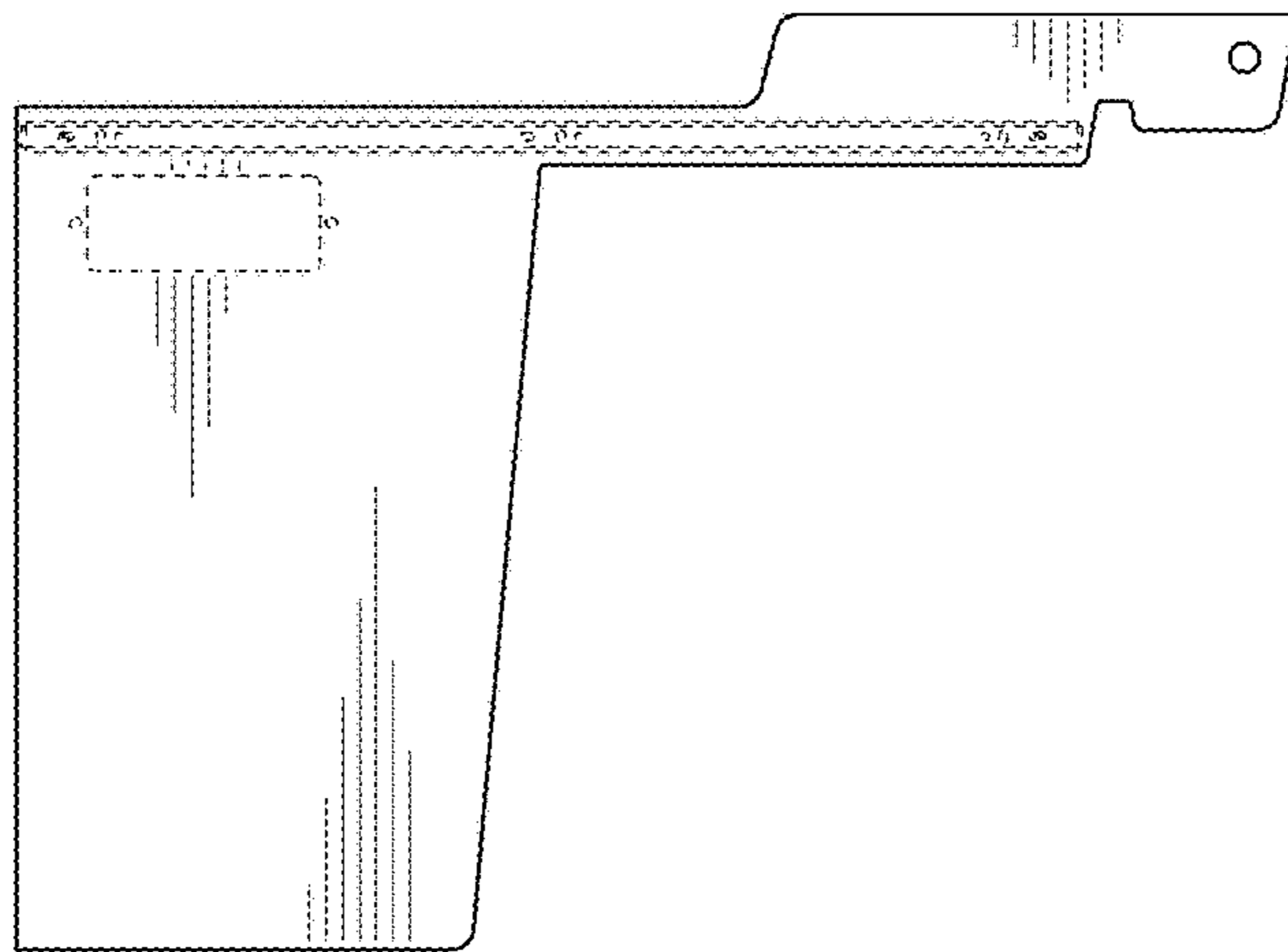


FIG. 5

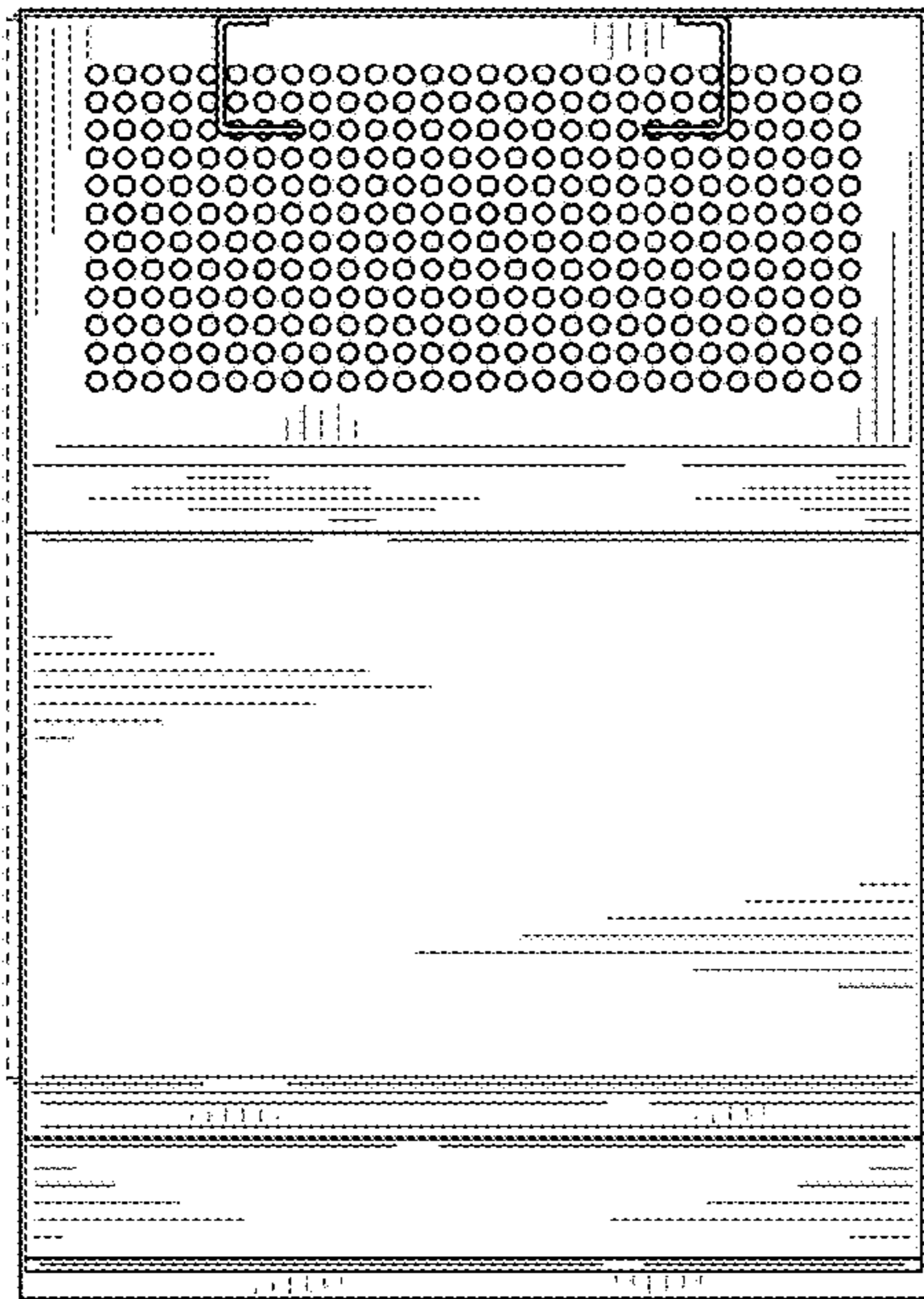


FIG. 6

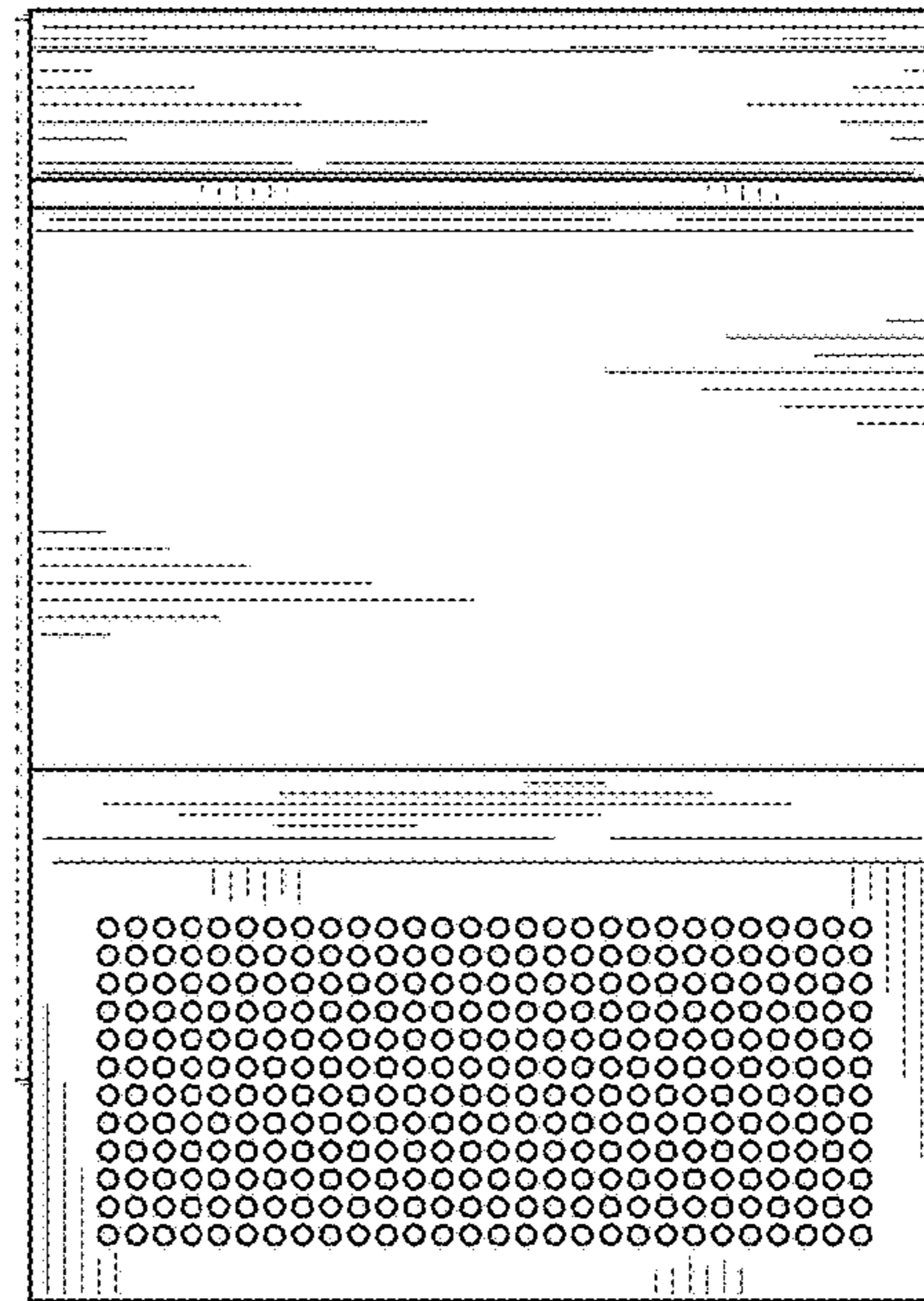


FIG. 7