



US00D841366S

(12) **United States Design Patent** (10) **Patent No.:** **US D841,366 S**
Herring et al. (45) **Date of Patent:** **** Feb. 26, 2019**

(54) **COMPUTER DESK**

(71) Applicant: **Spindle 360, Inc.**, Georgetown, TX (US)

(72) Inventors: **Jason Herring**, Georgetown, TX (US); **Shane Gilbreath**, Georgetown, TX (US)

(73) Assignee: **Spindle 360 Inc.**, Georgetown, TX (US)

(**) Term: **15 Years**

(21) Appl. No.: **29/557,170**

(22) Filed: **Mar. 7, 2016**

(51) **LOC (11) Cl.** **06-03**

(52) **U.S. Cl.**
 USPC **D6/641**

(58) **Field of Classification Search**
 USPC D6/641, 656, 698, 656.15; D24/234
 CPC A47B 3/00; A47B 9/20; A47B 9/00; A47B 9/12; A47B 21/00; A47B 21/02; A47B 21/04; A47B 2023/049; A47B 2097/005; A47B 2200/0041

See application file for complete search history.

(56) **References Cited**

U.S. PATENT DOCUMENTS

D184,996 S * 4/1959 Goldstein et al. D14/129
 7,341,006 B2 * 3/2008 Hernandez A47B 3/0815
 108/115
 7,690,317 B2 * 4/2010 Beck A47B 21/0314
 108/137
 D691,840 S * 10/2013 Copeland D6/656.15
 D694,044 S * 11/2013 Copeland D6/656.15

D716,074 S * 10/2014 Kitajima D6/654.21
 D733,476 S * 7/2015 Papic D6/655.16
 D743,718 S * 11/2015 Tempas D6/655
 D769,881 S * 10/2016 Lazzi D14/452
 D770,814 S * 11/2016 Davidson D6/656.15
 2009/0307843 A1 * 12/2009 Hookway A47B 23/046
 5/425
 2012/0248263 A1 * 10/2012 Grotenhuis A47B 21/02
 248/123.2
 2013/0139736 A1 * 6/2013 Flaherty A47B 9/18
 108/106
 2013/0284077 A1 * 10/2013 Copeland A47B 3/00
 108/117
 2016/0095426 A1 * 4/2016 Tempas A47B 9/20
 108/147
 2016/0106210 A1 * 4/2016 Kassanoff A47B 41/00
 108/25

* cited by examiner

Primary Examiner — Rosemary K Tarcza
Assistant Examiner — Alison M Ofstun
 (74) *Attorney, Agent, or Firm* — Kevin Keener; Keener and Associates P.C.

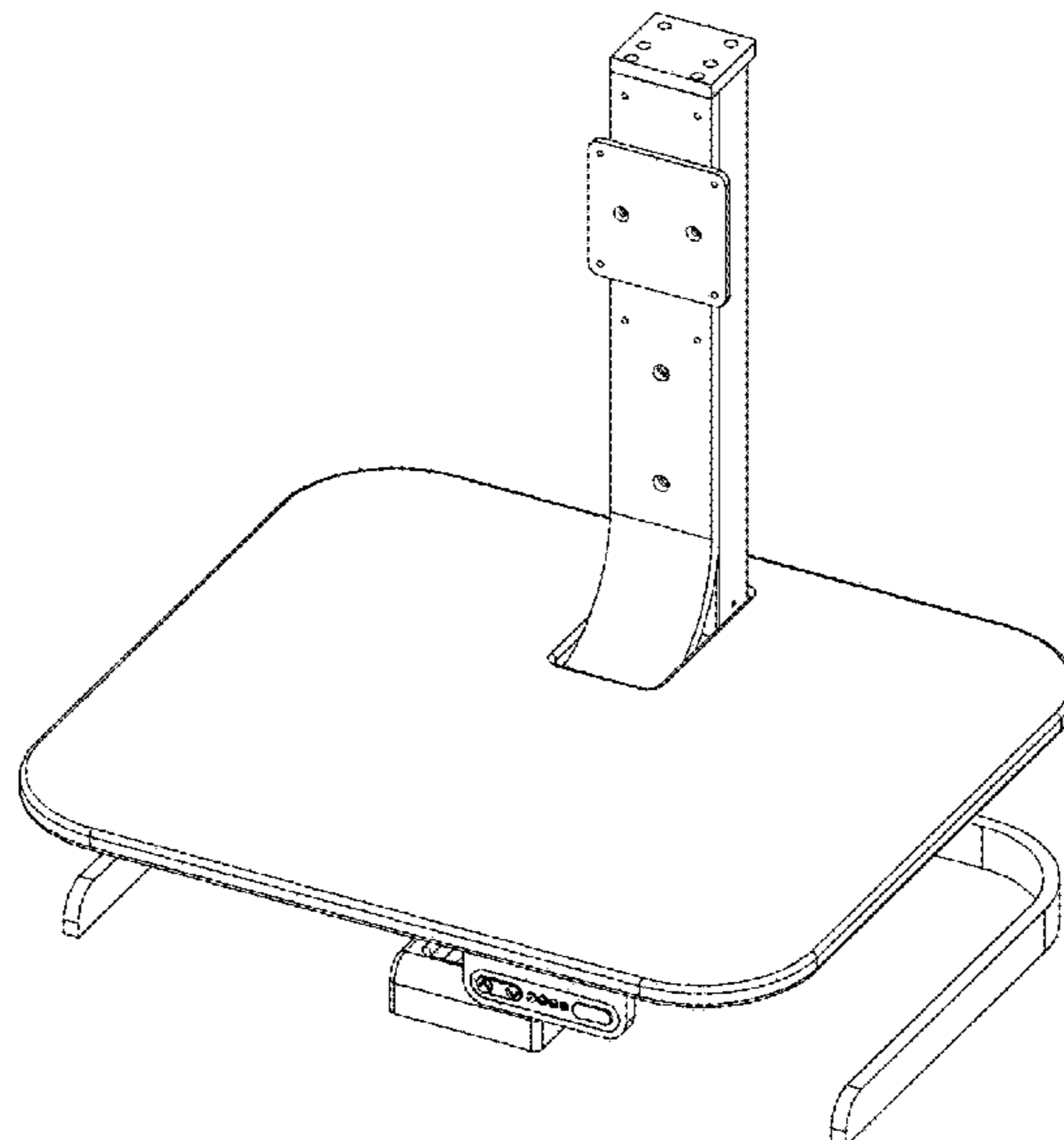
(57) **CLAIM**

The ornamental design for a computer desk, as shown and described.

DESCRIPTION

FIG. 1 is a front perspective view of a computer desk;
 FIG. 2 is a front view thereof;
 FIG. 3 is a rear view thereof;
 FIG. 4 is a top plan view thereof;
 FIG. 5 is a bottom plan view thereof;
 FIG. 6 is a right side view thereof;
 FIG. 7 is a left side view thereof; and,
 FIG. 8 is a front perspective exploded view thereof.

1 Claim, 8 Drawing Sheets



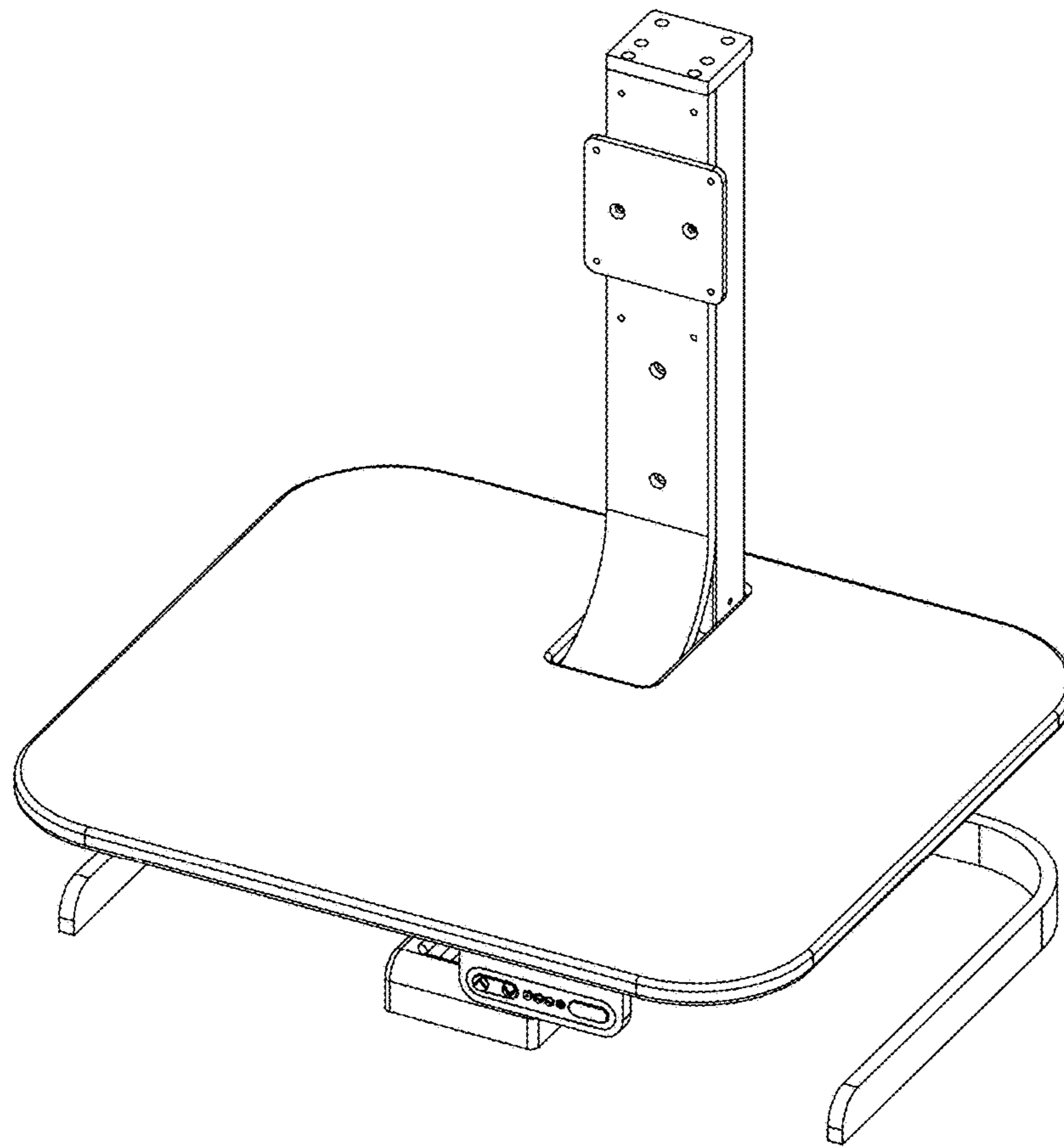


FIG. 1

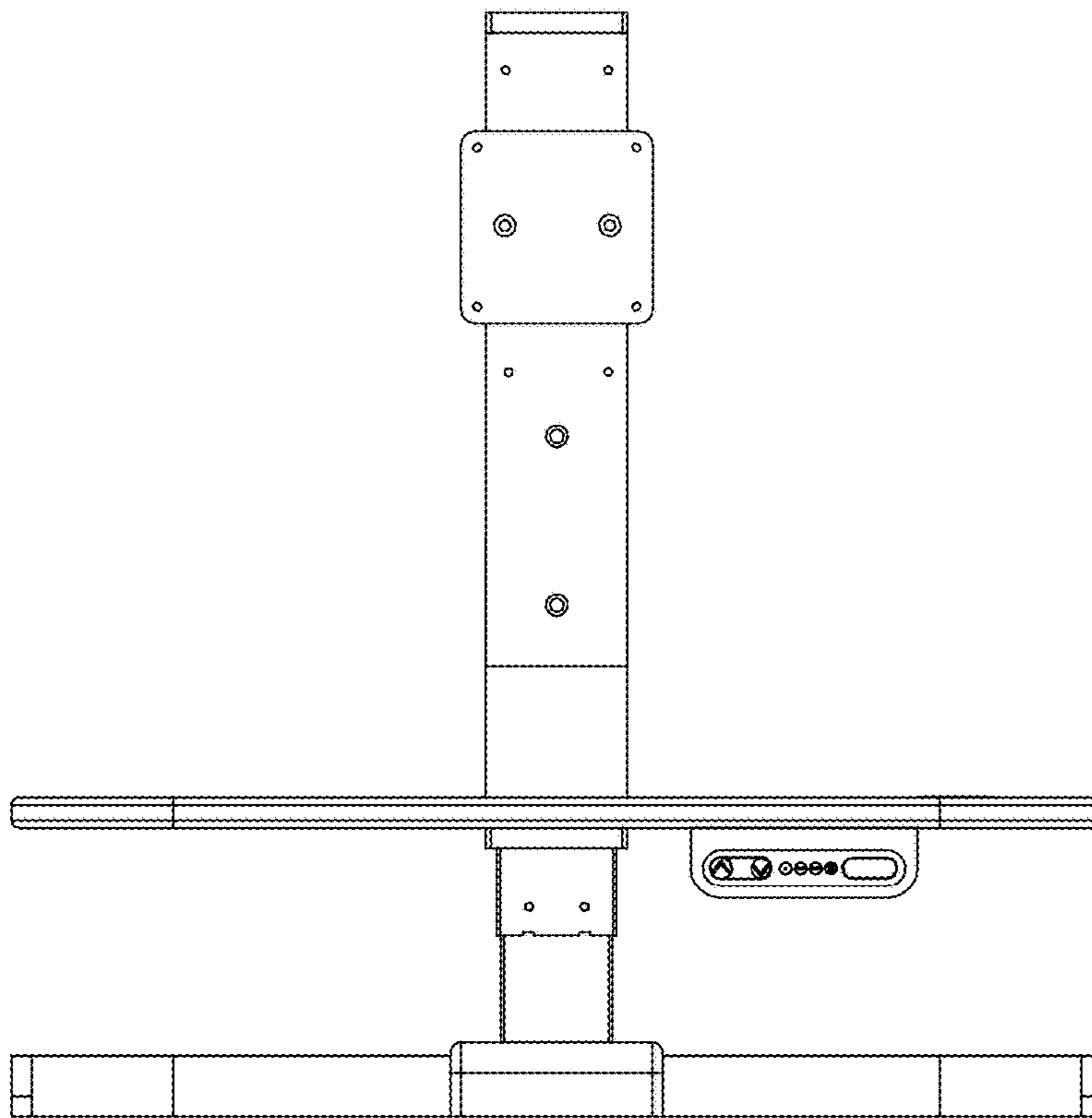


FIG. 2

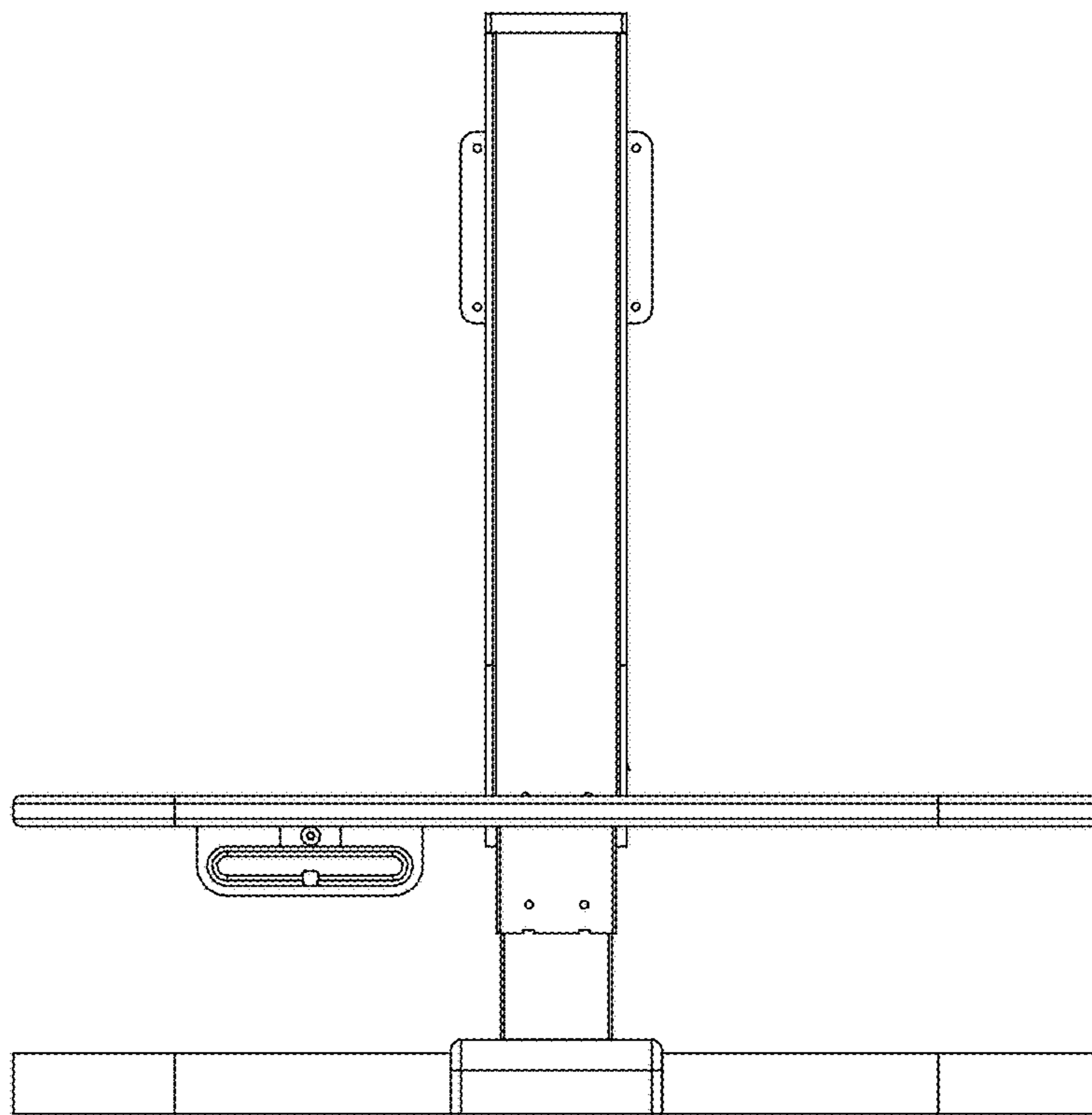


FIG. 3

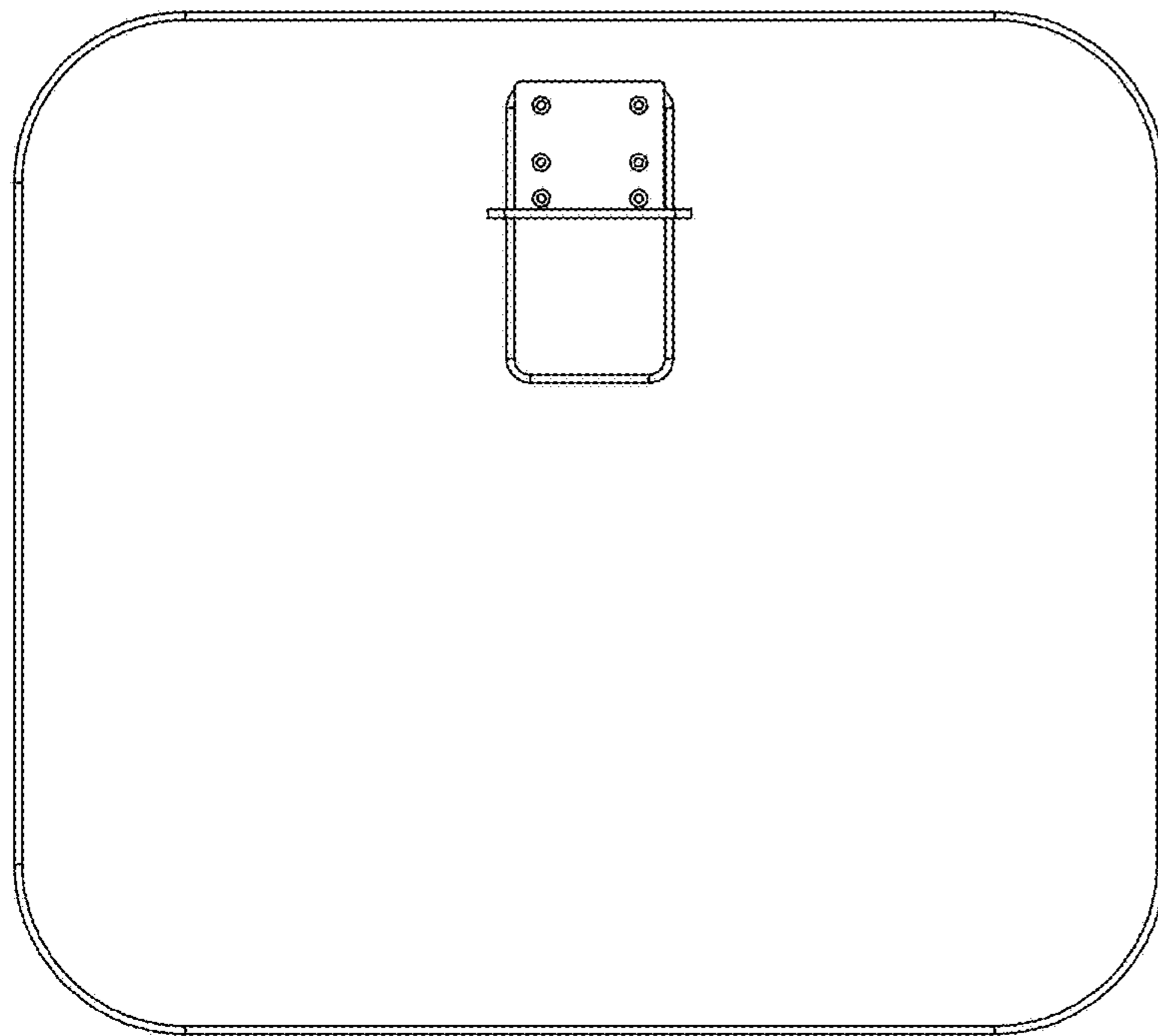


FIG. 4

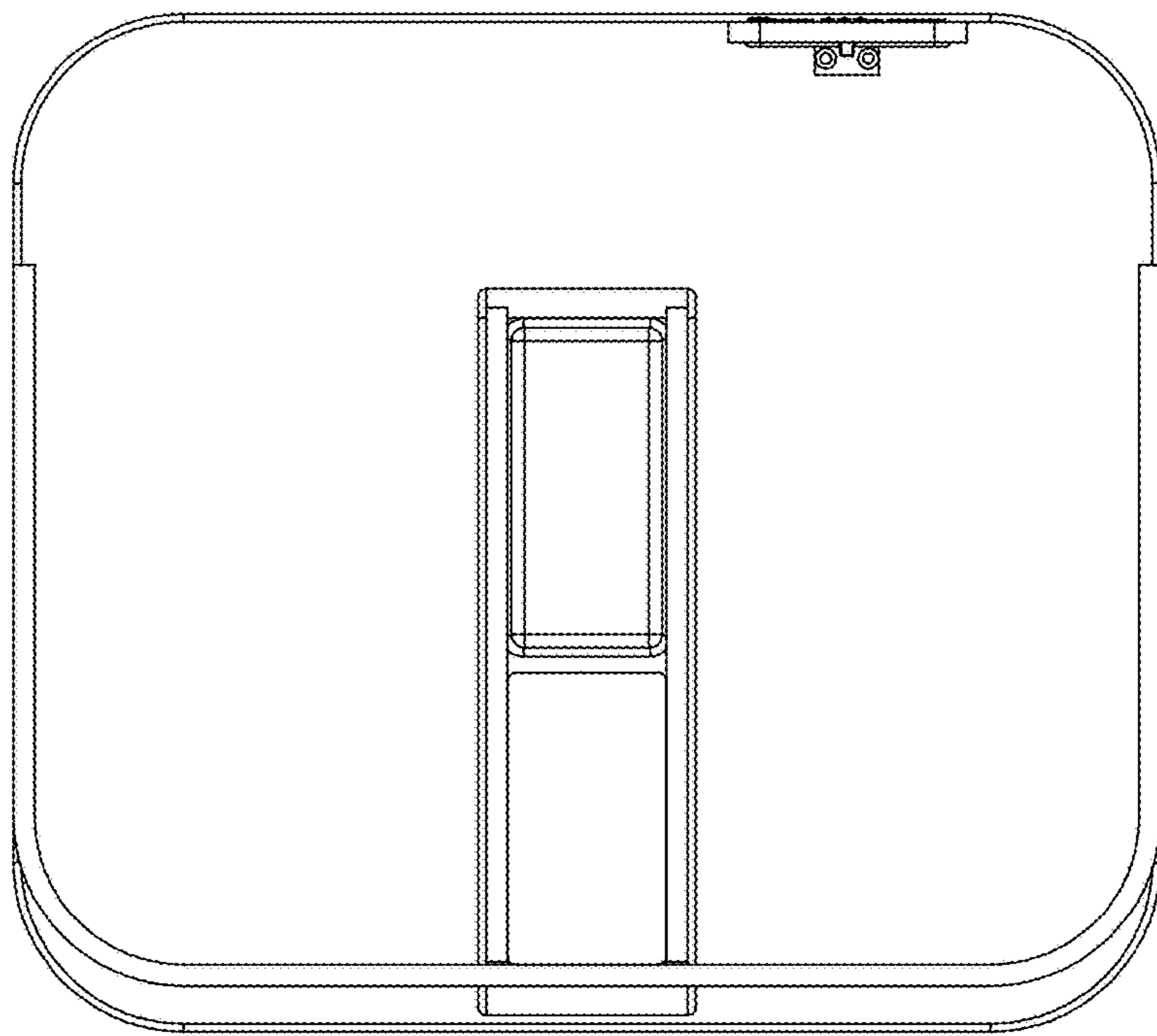


FIG. 5

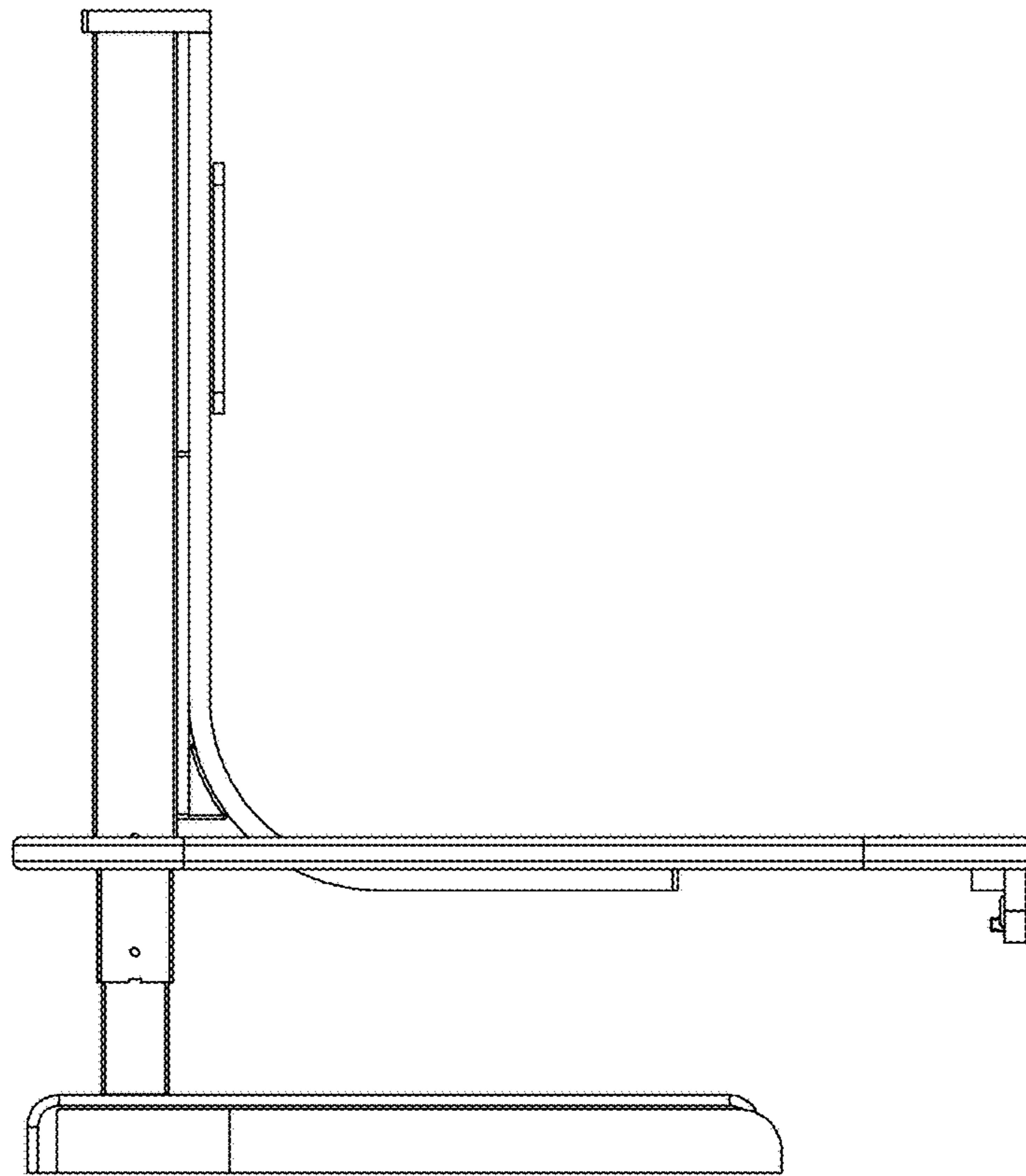


FIG. 6

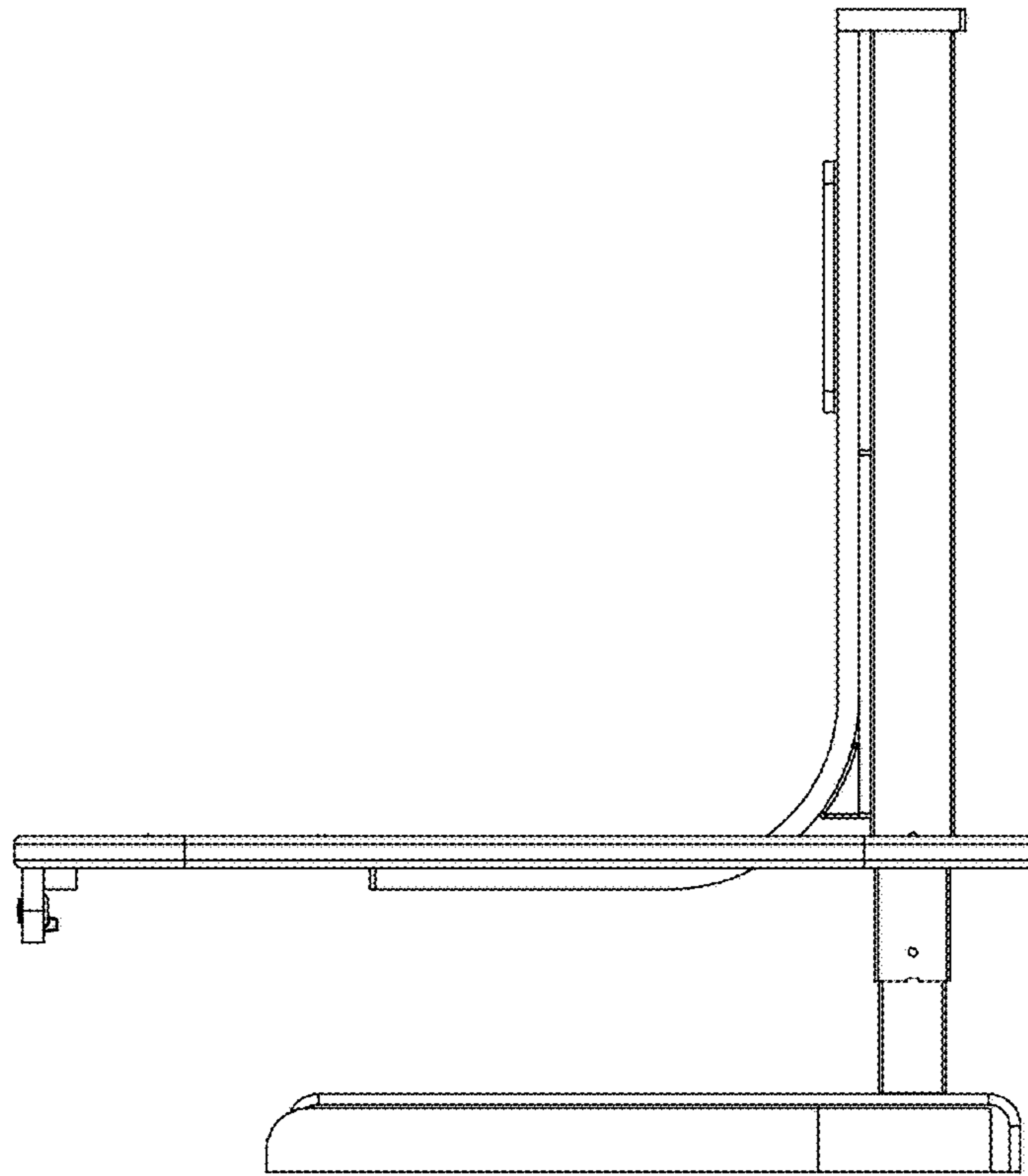


FIG. 7

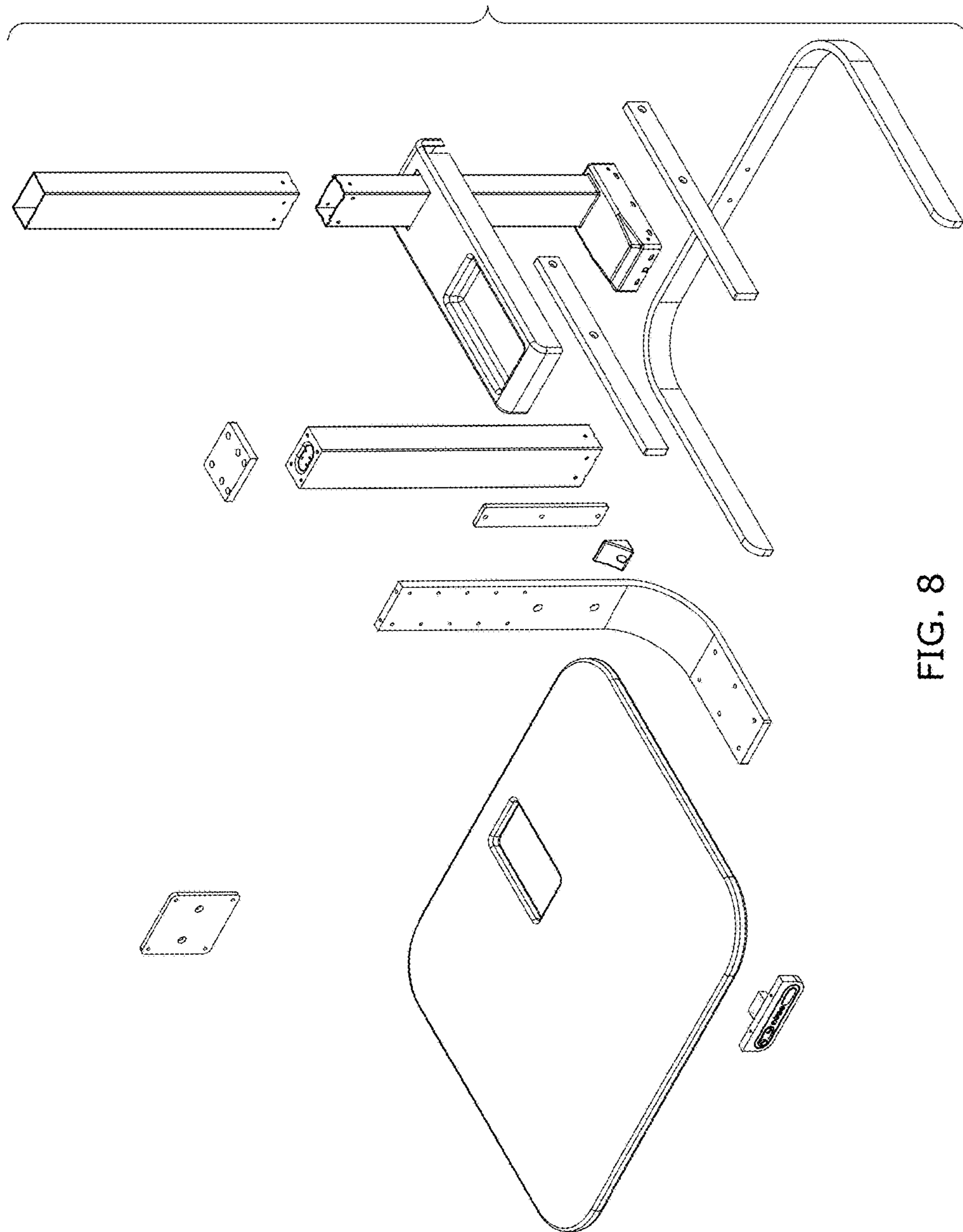


FIG. 8