



US00D841362S

(12) **United States Design Patent** (10) **Patent No.:** **US D841,362 S**
Vance (45) **Date of Patent:** **** Feb. 26, 2019**

(54) **PORTABLE FACE AND HEAD SUPPORT FOR SEATED SLUMBERING**

(71) Applicant: **Todd B Vance**, San Mateo, CA (US)

(72) Inventor: **Todd B Vance**, San Mateo, CA (US)

(**) Term: **15 Years**

(21) Appl. No.: **29/579,095**

(22) Filed: **Sep. 28, 2016**

(51) **LOC (11) Cl.** **06-19**

(52) **U.S. Cl.**
USPC **D6/595**

(58) **Field of Classification Search**

USPC D6/333, 349, 355, 375, 388, 512, 563, D6/564, 611, 707, 715, 716, 716.1, D6/582-583, 587-592, 595-609, D6/617-622; D24/183-185, 234, 178, D24/180, 181, 189; D21/803, 804, 805, D21/809, 599; 5/401, 420, 600, 630, 5/631, 632, 633, 635, 636, 638, 639, 646, 5/652, 652.1, 655, 703, 730; 297/1, 2, 4, 297/93, 180.11, 195.1, 195.11, 195.13, 297/393, 397, 452.12, 452.14, 452.15, 297/452.21, 452.24, 452.26, 452.48, 297/452.62, 482; D2/719, 725, 734, 741
CPC A47G 9/10; A47G 9/1009; A47G 9/1027; A47G 9/1045; A47G 9/1063; A47G 9/1072; A47G 9/1081; A47G 9/00; A47G 2009/001; A47G 2009/002; A47G 2009/003; A47G 2009/005; A47G 2009/006; A47G 9/02; A47G 9/0207; A47G 9/0215; A47G 9/0223; A47G 9/023; A47G 9/0238; A47G 9/0246; A47G 9/0253; A47G 9/0261; A47G 9/06; A47G 9/062; A47G 9/066; A47G 9/068; A47G 9/08; A47G 2009/0276; A47G 9/0284; A47G 9/0292; A47G 9/04

See application file for complete search history.

(56) **References Cited**

U.S. PATENT DOCUMENTS

D261,450 S * 10/1981 Jenkins D6/354
4,700,914 A * 10/1987 Cheetham A47C 9/10
108/150
4,930,839 A * 6/1990 Saito A45B 5/00
248/155.3
D365,695 S * 1/1996 Sibbitt, Sr. D6/364
6,151,734 A * 11/2000 Lawrie A47C 20/026
5/622

(Continued)

Primary Examiner — Michelle E. Wilson

Assistant Examiner — Sanjeev Paul

(74) *Attorney, Agent, or Firm* — David E. Newhouse, Esq.

(57) **CLAIM**

The ornamental design for a portable face and head support for seated slumbering, as shown and described.

DESCRIPTION

FIG. 1 is perspective view of the portable face and head support for seated slumbering viewed obliquely from above leaning to the right.

FIG. 2 is perspective view of the portable face and head support for seated slumbering viewed obliquely from above leaning to the left.

FIG. 3 is a left side view of the portable face and head support for seated slumbering.

FIG. 4 is a right side view of the portable face and head support for seated slumbering.

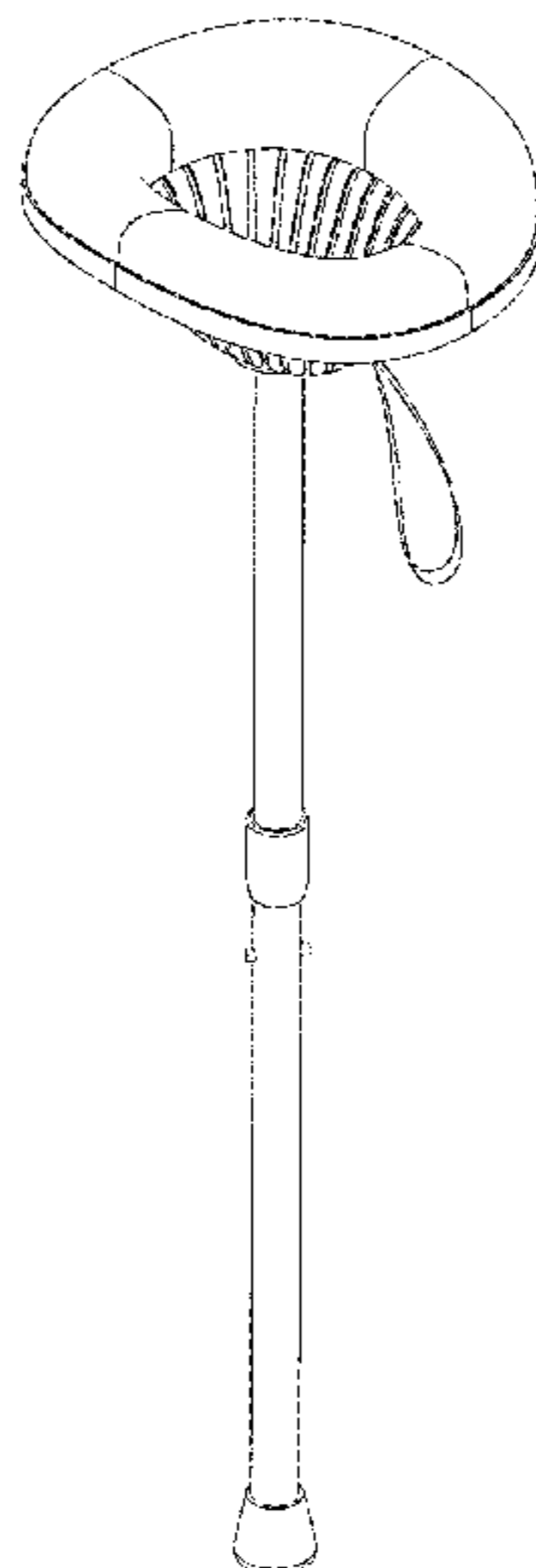
FIG. 5 is a top view the portable face and head support for seated slumbering.

FIG. 6 is a bottom view of the portable face and head support for seated slumbering.

FIG. 7 front view of the portable face and head support for seated slumbering; and,

FIG. 8 is a back view of the portable face and head support for seated slumbering.

1 Claim, 8 Drawing Sheets



(56)

References Cited

U.S. PATENT DOCUMENTS

D467,745 S * 12/2002 Ryan D6/364
D473,389 S * 4/2003 Ryan D6/364
7,036,168 B1 * 5/2006 Knickerbocker A47G 9/10
5/636
7,089,613 B2 * 8/2006 Cohen A47C 20/026
5/622
D666,425 S * 9/2012 Link D6/349
D683,463 S * 5/2013 Huggins D24/184
D716,570 S * 11/2014 Keen D6/349
9,226,587 B2 * 1/2016 Halimi A47C 16/00
D758,747 S * 6/2016 Lenz D6/349
D799,841 S * 10/2017 Williams D6/349
2011/0198897 A1 * 8/2011 Hosler A47C 9/025
297/195.11
2016/0081482 A1 * 3/2016 Schumacher A47C 7/383
5/640
2016/0151221 A1 * 6/2016 Mount A47C 7/38
5/638
2016/0331126 A1 * 11/2016 Mills A47C 7/383

* cited by examiner

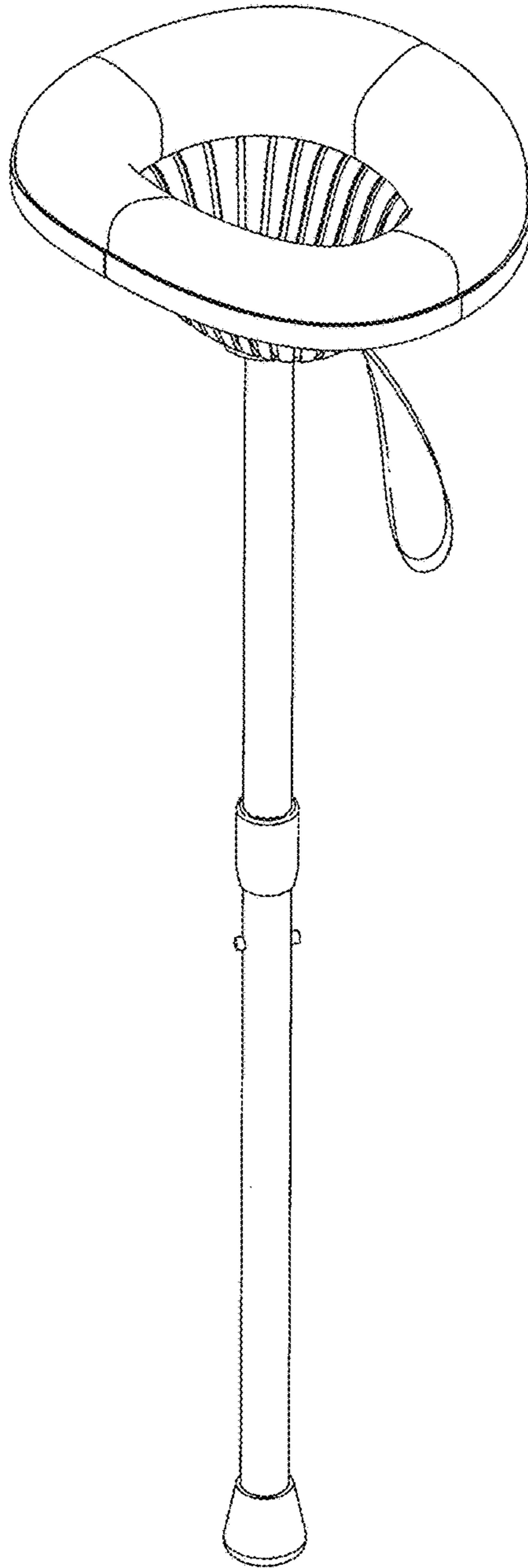


Figure 1

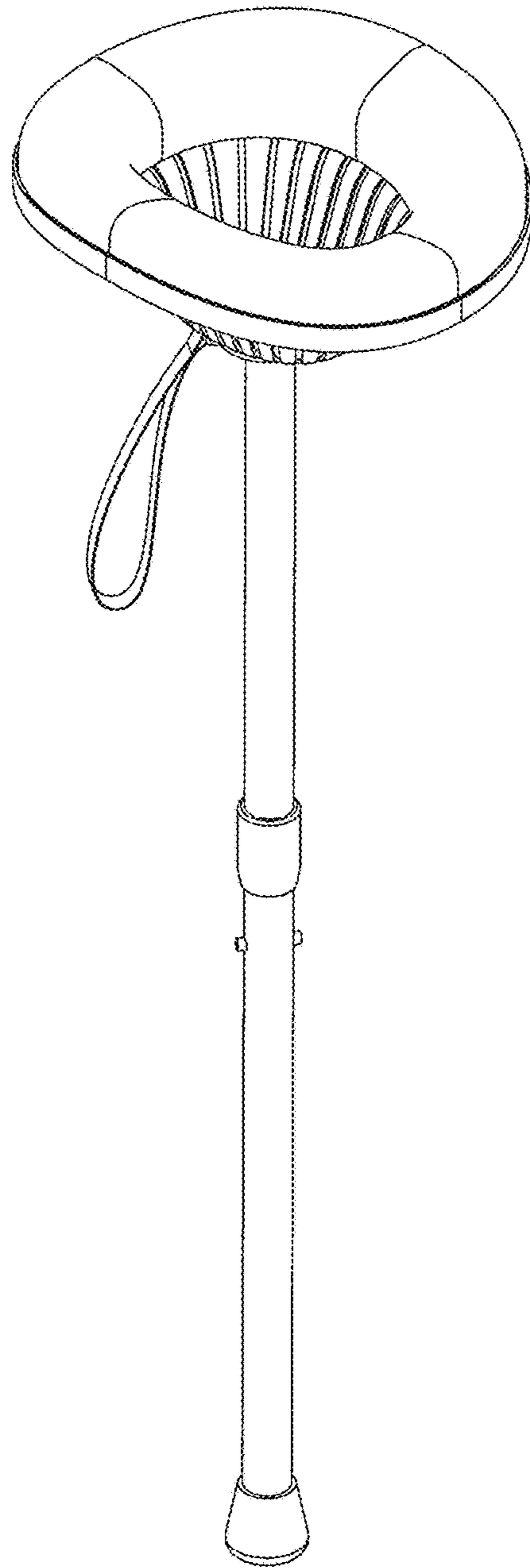


Figure 2

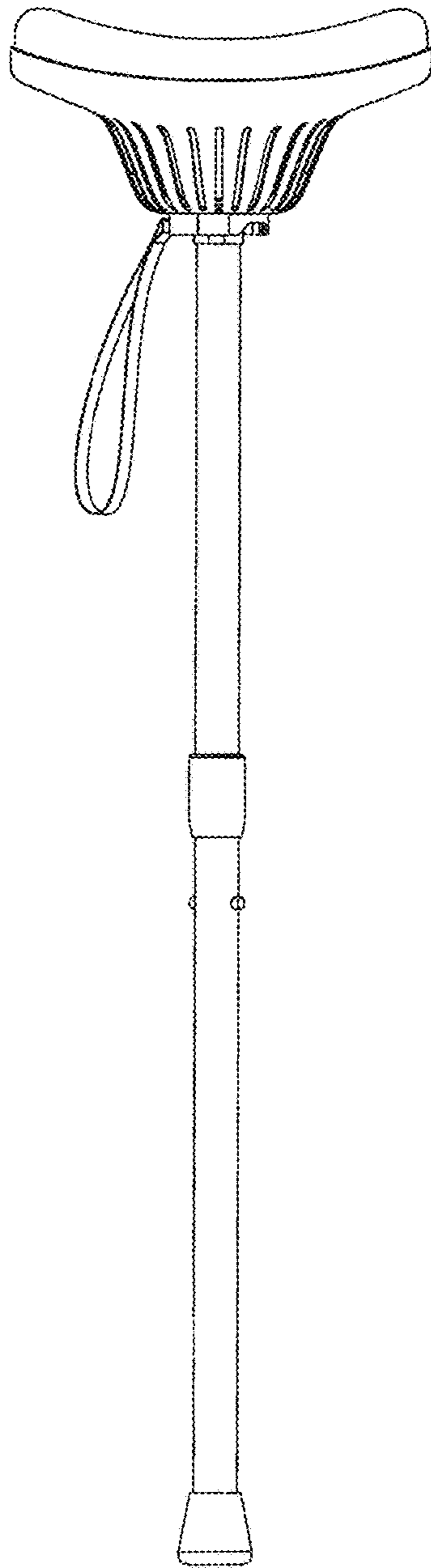


Figure 3

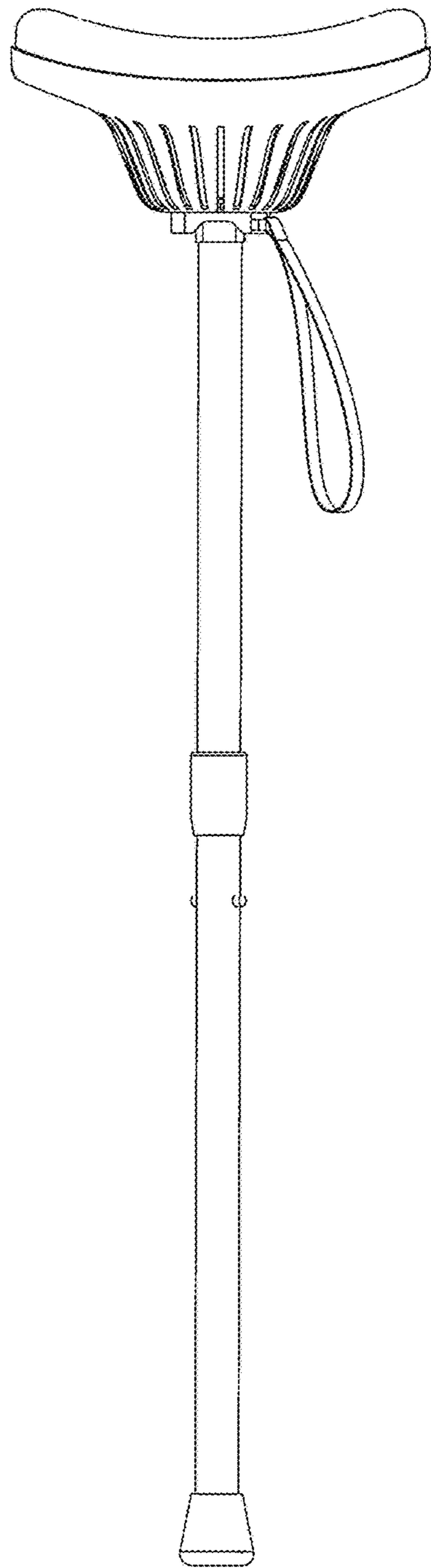


Figure 4

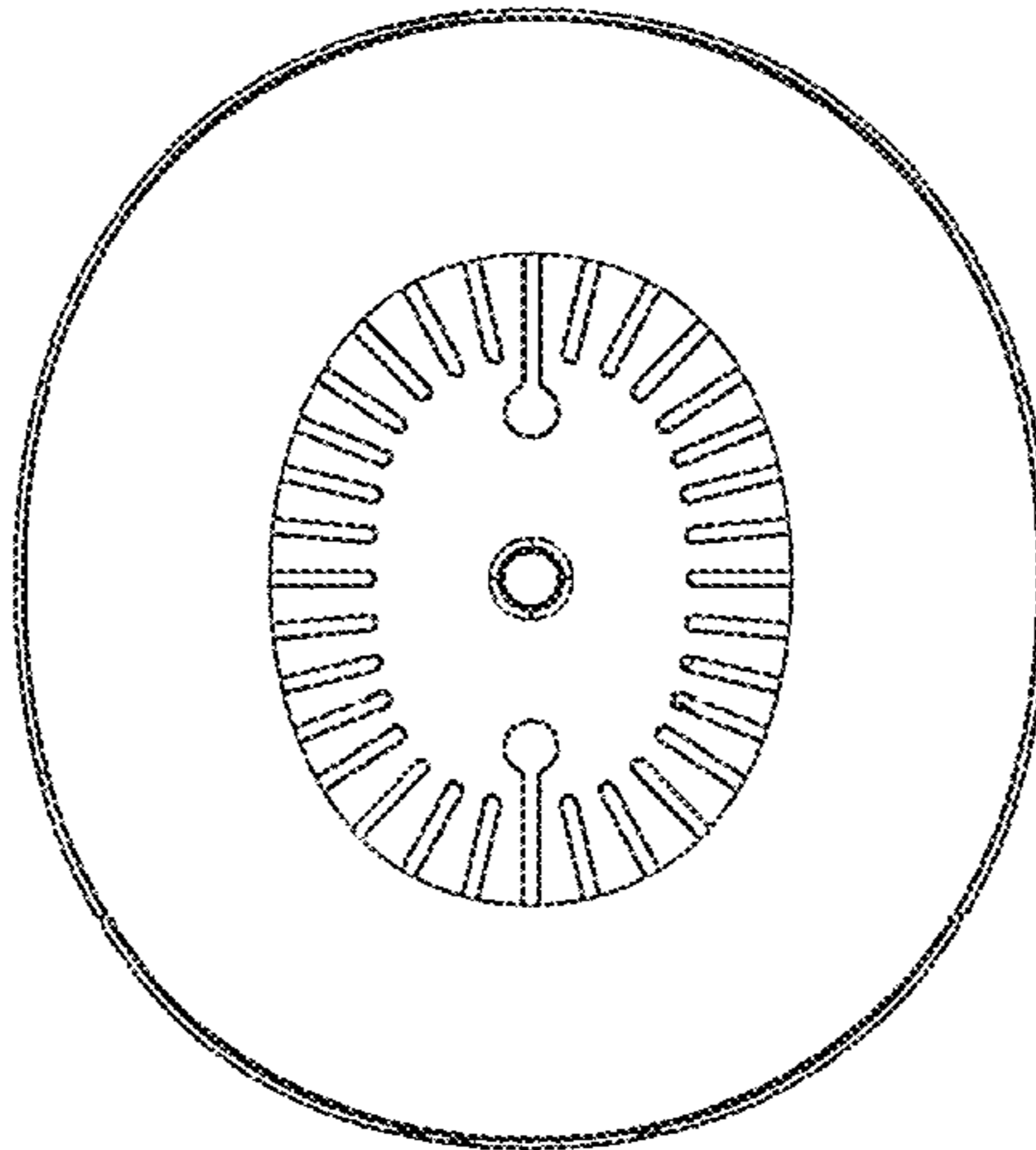


Figure 5

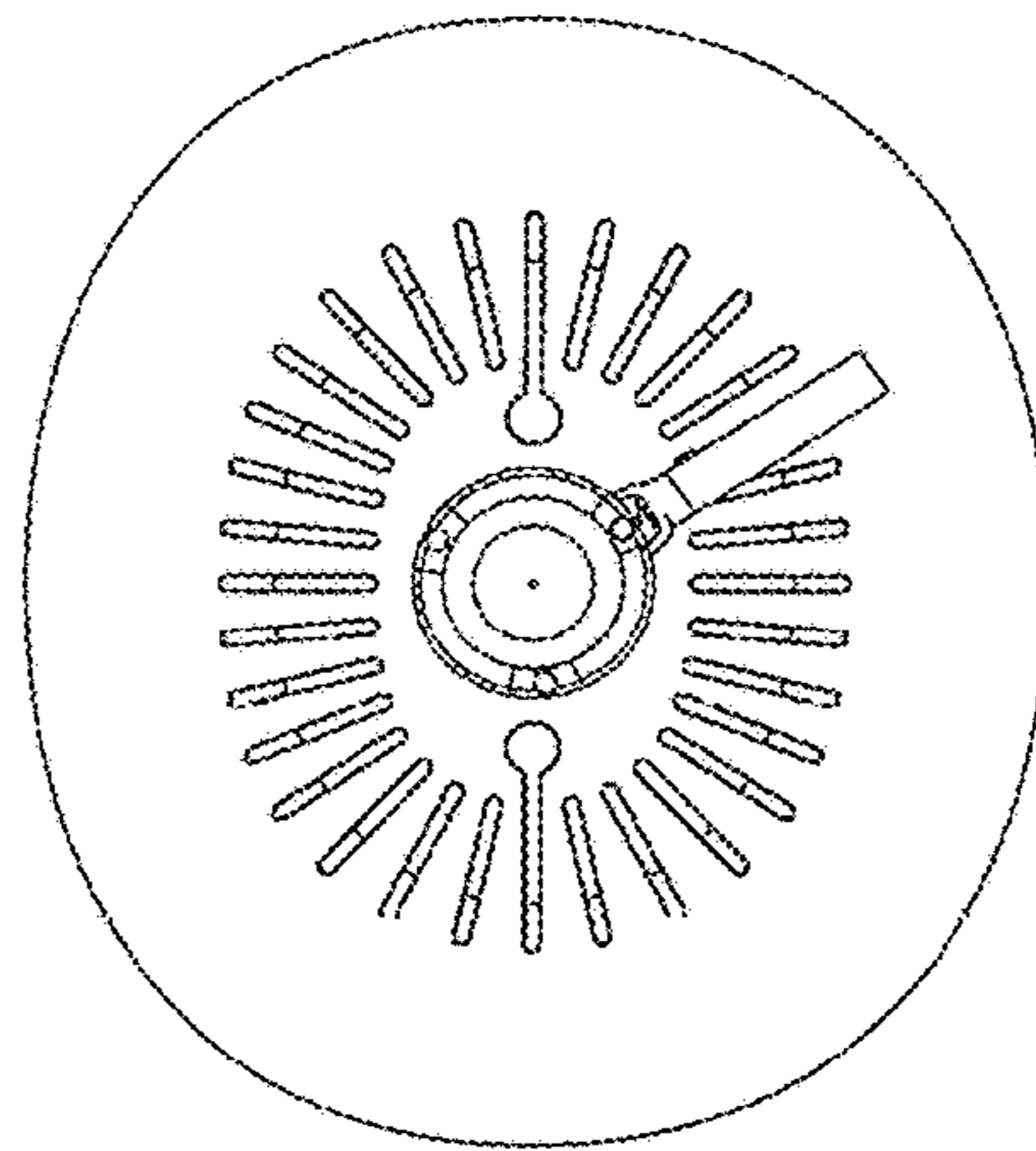


Figure 6

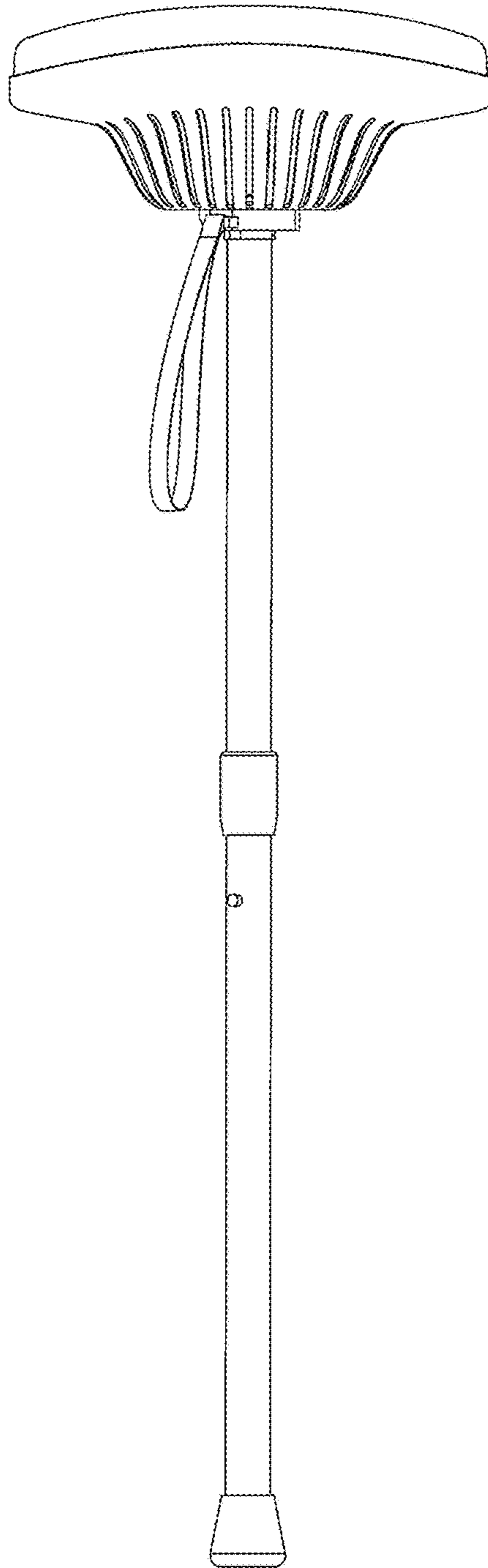


Figure 7

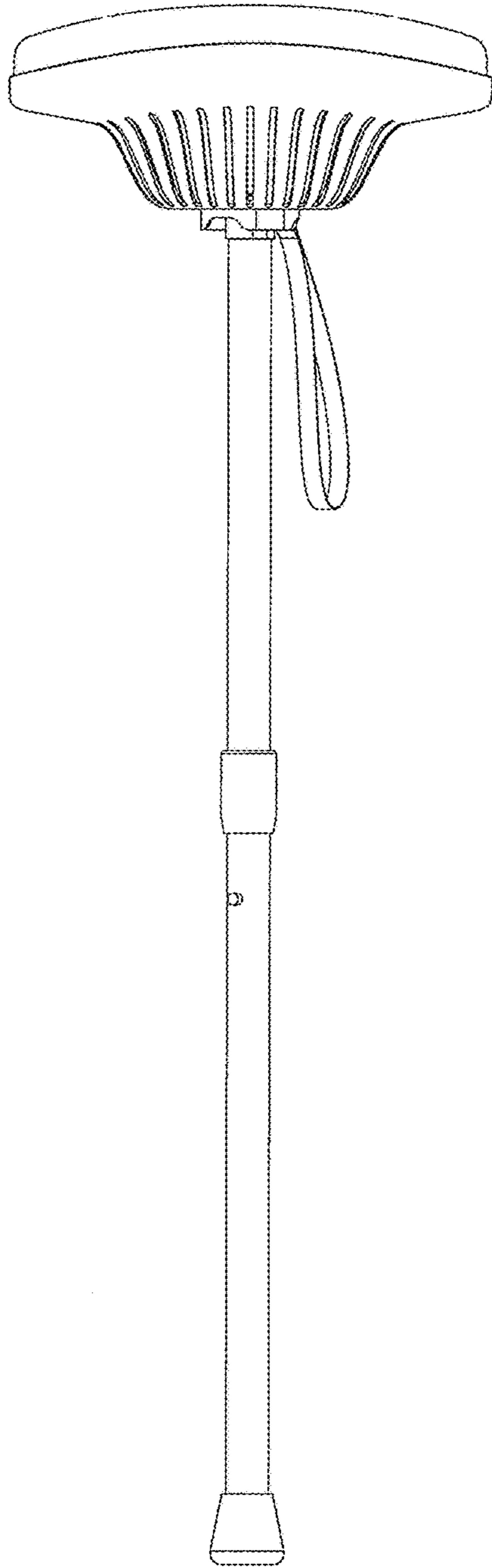


Figure 8