



US00D841357S

(12) **United States Design Patent** (10) **Patent No.:** **US D841,357 S**  
**Hu** (45) **Date of Patent:** **\*\* Feb. 26, 2019**

(54) **SHELF**  
(71) Applicant: **Qihua Hu**, Kaiping (CN)  
(72) Inventor: **Qihua Hu**, Kaiping (CN)  
(73) Assignee: **Qihua Hu** (CN)  
(\*\*) Term: **15 Years**  
(21) Appl. No.: **29/588,960**  
(22) Filed: **Dec. 26, 2016**  
(51) **LOC (11) Cl.** ..... **06-04**  
(52) **U.S. Cl.**  
USPC ..... **D6/574**; D6/519  
(58) **Field of Classification Search**  
USPC ... D6/574, 522, 672-675, 675.1, 678.2, 702,  
D6/703.1, 705, 705.1, 705.2, 707, 707.19,  
D6/707.22, 707.23, 519; D13/179;  
108/50.11, 61, 132; D14/457; 312/350,  
312/258; 248/95; D21/369  
CPC ..... A47B 47/00; A47B 47/021; A47B 47/022;  
A47B 47/04; A47B 47/03; A47B 55/00;  
A47B 57/045; A47B 57/26; A47B 96/02;  
A47B 96/027; A47B 96/028; A47B  
96/04; A47B 96/16; A47F 5/00; A47F  
5/0043; A47F 7/00; A47F 7/007; G09F  
13/22; A47K 17/02; E03D 13/005; Y10T  
29/49432  
See application file for complete search history.

D476,837 S \* 7/2003 Hoernig ..... D6/527  
D476,838 S \* 7/2003 Hoernig ..... D6/527  
D479,932 S \* 9/2003 Clucas ..... D6/560  
D493,313 S \* 7/2004 Hoernig ..... D6/524  
D495,180 S \* 8/2004 Painter ..... D6/527  
D512,253 S \* 12/2005 Hoernig ..... D6/523  
D670,521 S \* 11/2012 Cittadino ..... D6/549  
D797,467 S \* 9/2017 Andrew ..... D6/540  
D805,719 S \* 12/2017 Kelly ..... D99/33  
D812,396 S \* 3/2018 Wilson ..... D6/566

\* cited by examiner

*Primary Examiner* — David G Muller

*Assistant Examiner* — Nathan M Johnston

(74) *Attorney, Agent, or Firm* — PROI Intellectual Property US

(57) **CLAIM**

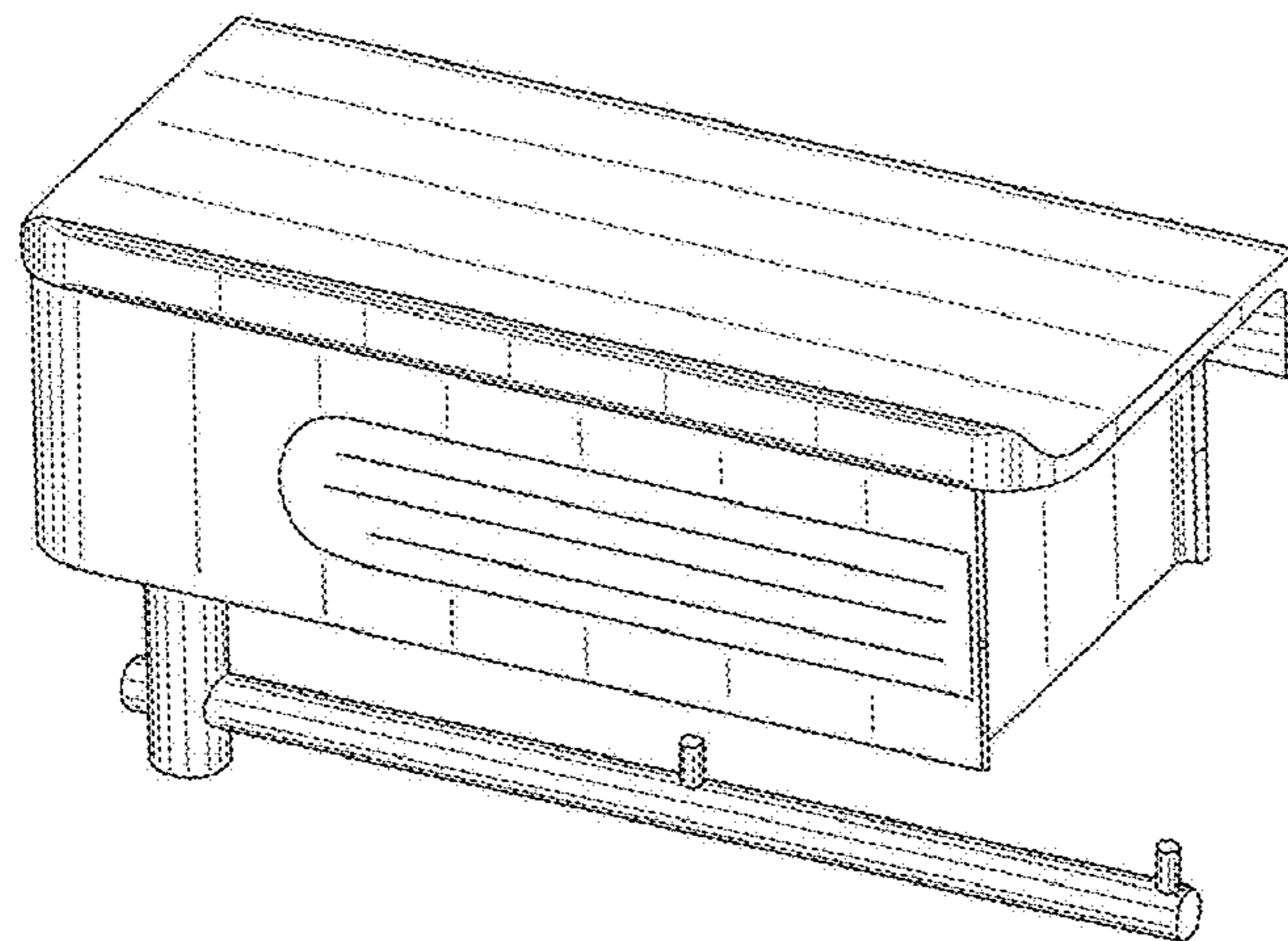
The ornamental design for a shelf, as shown and described.

**DESCRIPTION**

FIG. 1 is a front right perspective view of a shelf showing my new design;  
FIG. 2 is a front left perspective view thereof;  
FIG. 3 is a rear right perspective view thereof;  
FIG. 4 is a front elevation view thereof;  
FIG. 5 is a left side elevation view thereof; and,  
FIG. 6 is a front left perspective view of the shelf in use, wherein the shelf has been opened.

**1 Claim, 6 Drawing Sheets**

(56) **References Cited**  
U.S. PATENT DOCUMENTS  
3,478,891 A \* 11/1969 Kaeslin ..... A47B 61/003  
108/29  
D458,790 S \* 6/2002 Harwanko ..... D6/560



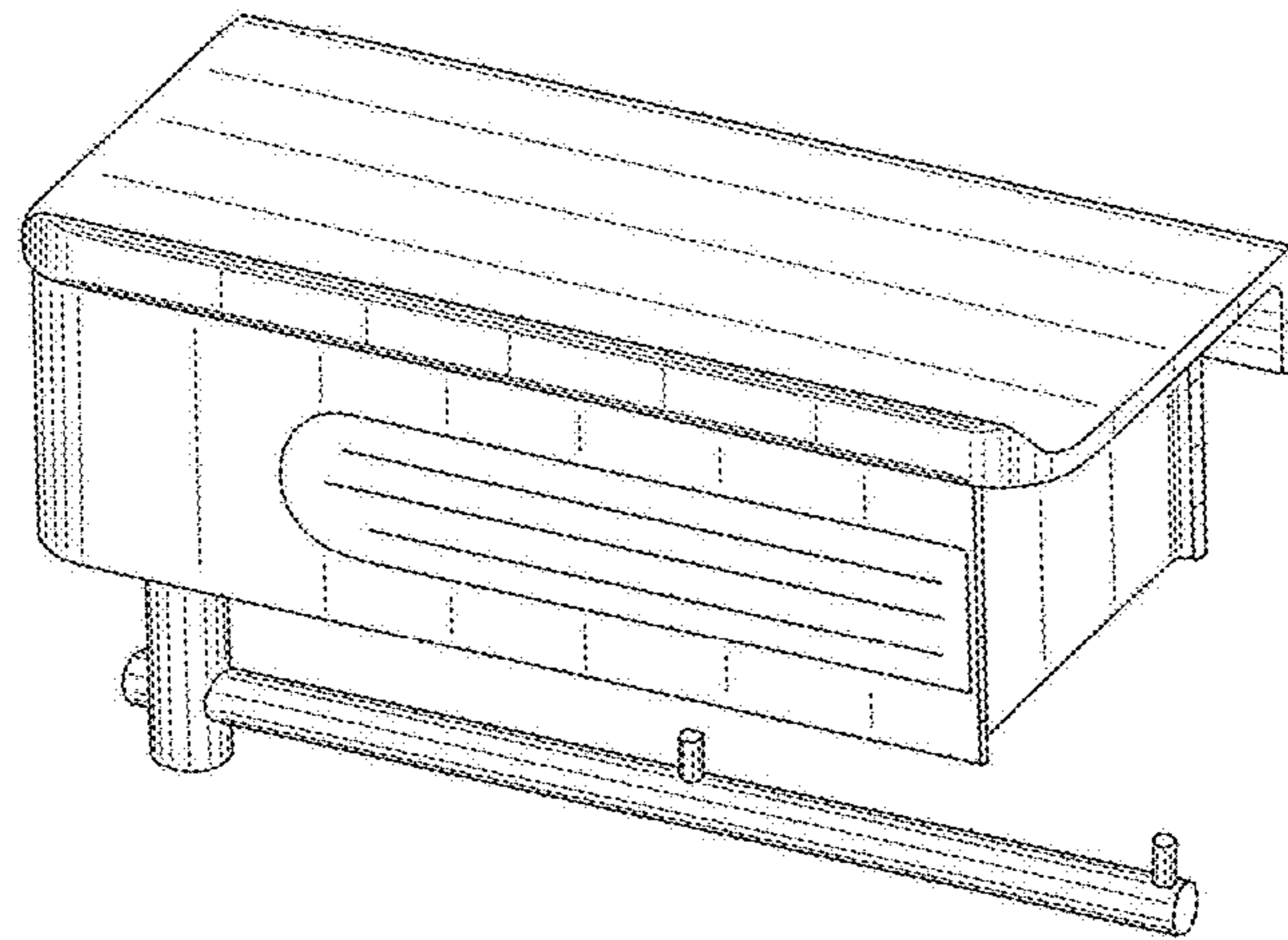


Fig. 1

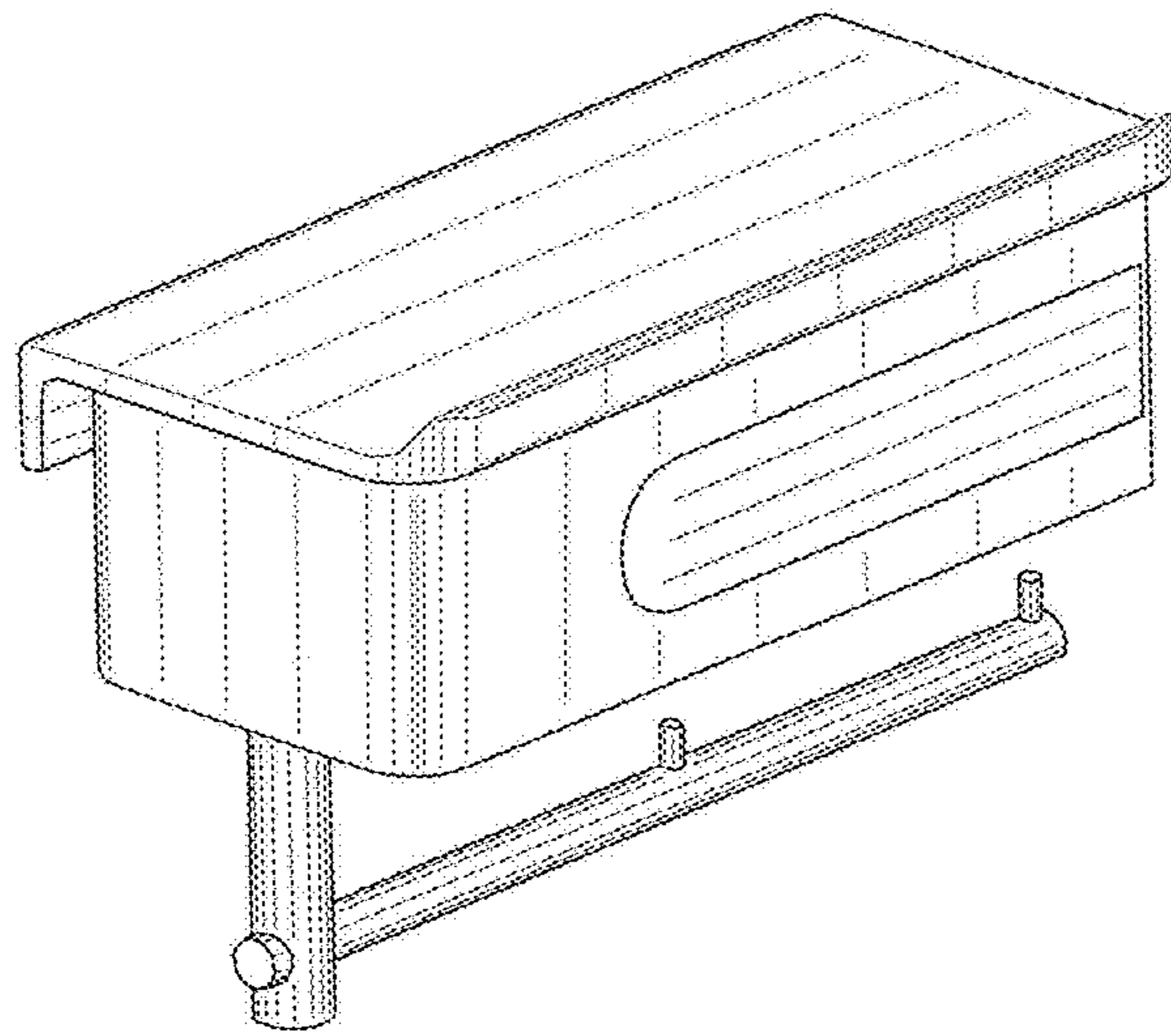


Fig. 2

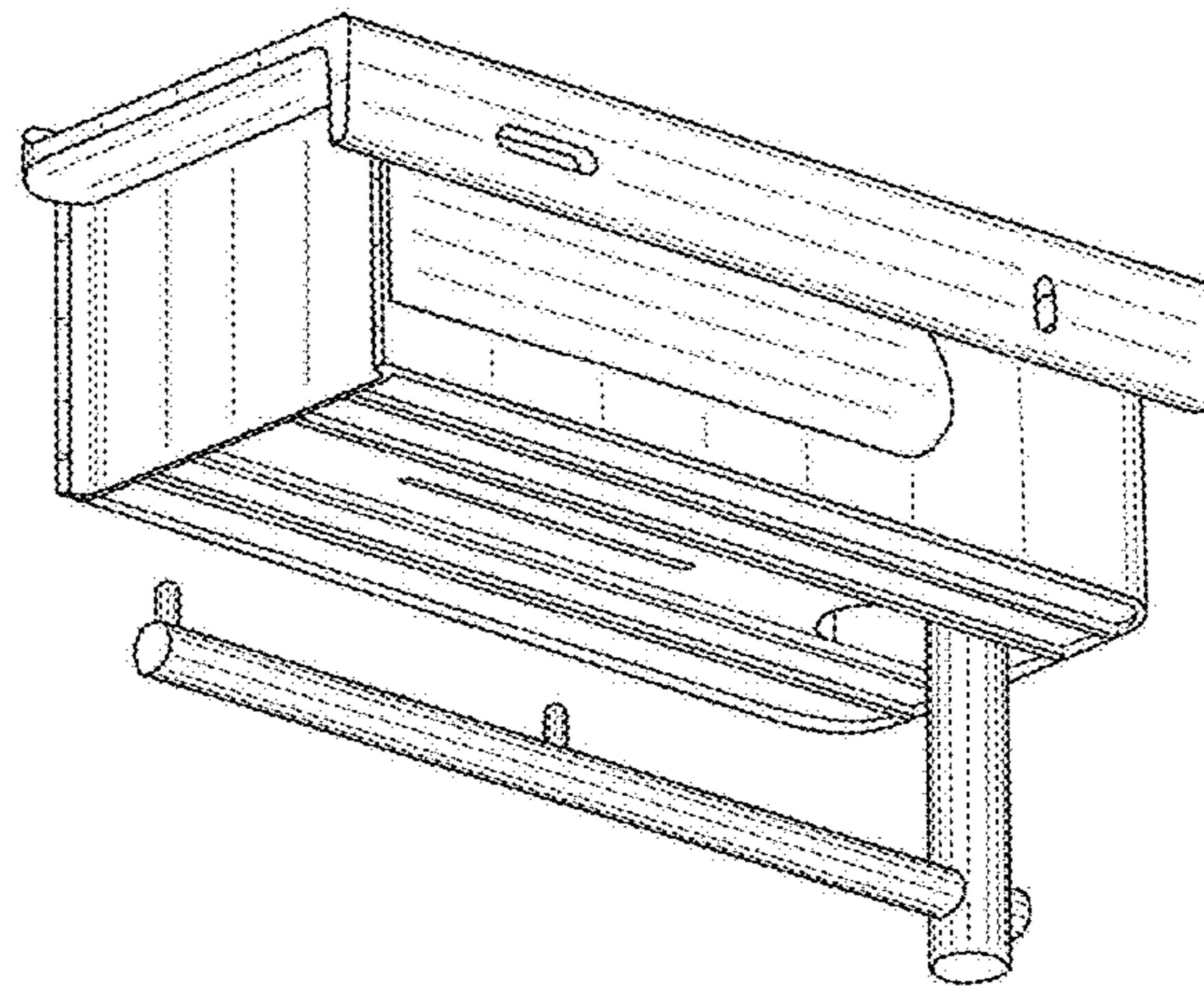


Fig. 3

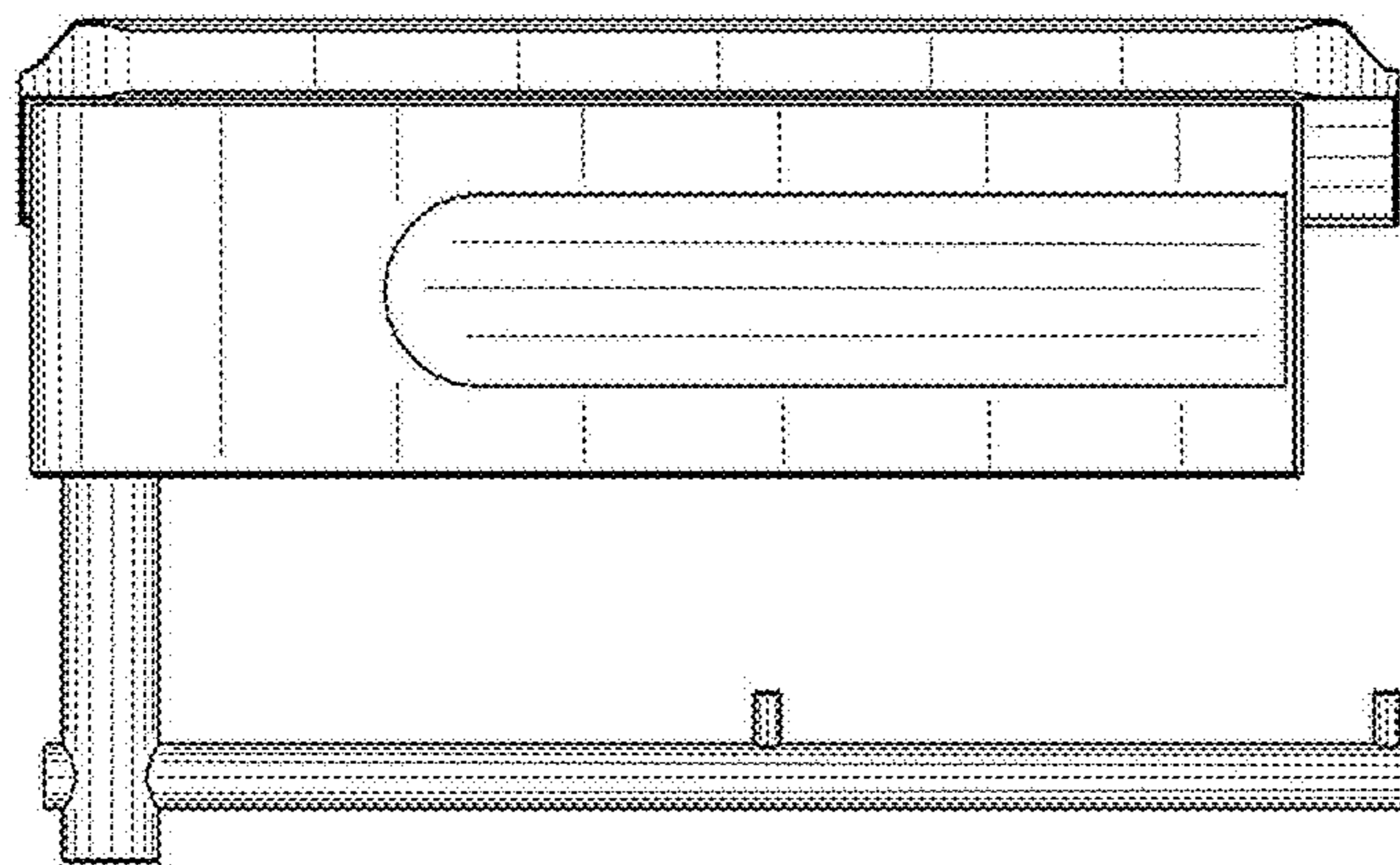


Fig. 4

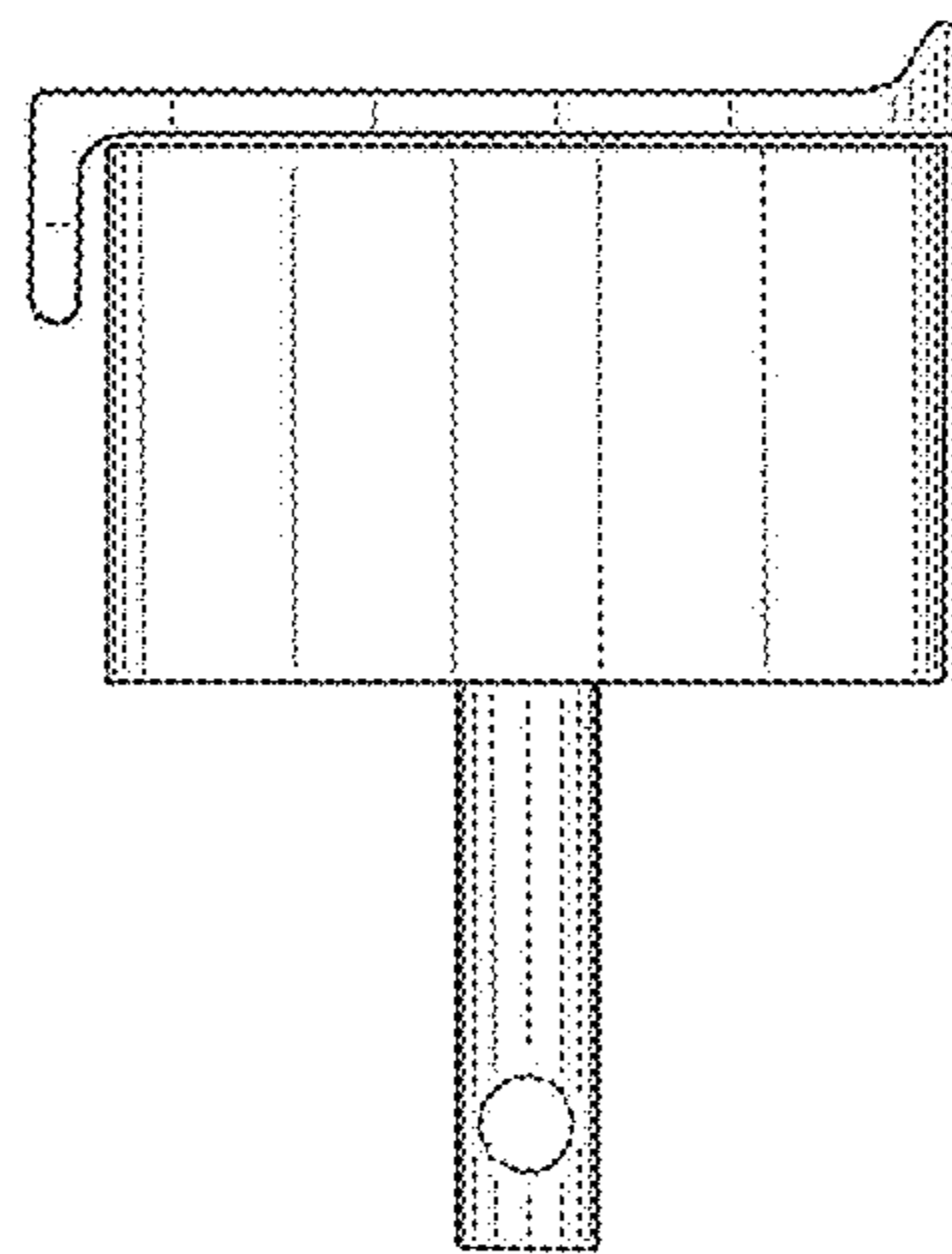


Fig. 5

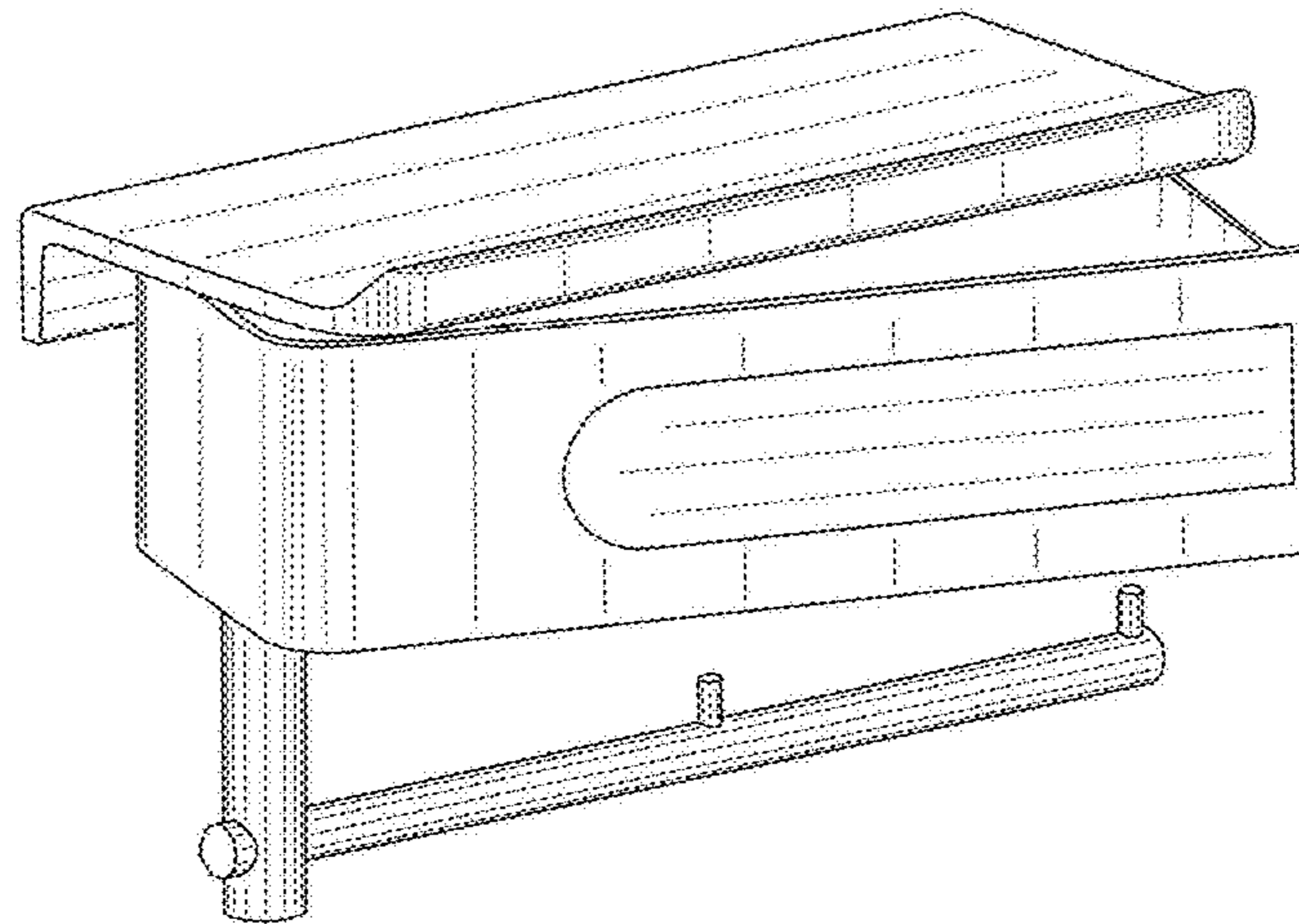


Fig. 6