



US00D841355S

(12) **United States Design Patent**
Citterio

(10) **Patent No.:** **US D841,355 S**

(45) **Date of Patent:** **** Feb. 26, 2019**

(54) **SOFA**

(71) Applicant: **B&B ITALIA S.p.A.**, Milan (IT)

(72) Inventor: **Antonio Citterio**, Milan (IT)

(73) Assignee: **B&B ITALIA S.p.A.**, Milan (IT)

(**) Term: **15 Years**

(21) Appl. No.: **29/580,572**

(22) Filed: **Oct. 11, 2016**

(30) **Foreign Application Priority Data**

Apr. 11, 2016 (IT) 402016000037016

(51) **LOC (11) Cl.** **06-01**

(52) **U.S. Cl.**
USPC **D6/381**

(58) **Field of Classification Search**

USPC D6/334, 335, 336, 360, 361, 367, 368,
D6/371-375, 379-381, 716, 716.1-716.8

CPC A47C 7/00; A47C 7/62; A47C 7/18; A47C
7/54; A47C 4/00; A47C 4/028; A47C
4/28; A47C 3/16; A47C 3/04; A47C 3/12;
A47C 1/02; A47C 1/14

See application file for complete search history.

(56) **References Cited**

U.S. PATENT DOCUMENTS

D181,738 S *	12/1957	Lubberts et al.	D3/272
D405,619 S *	2/1999	Gohman	D6/335
D439,752 S *	4/2001	Natuzzi	D6/334
D498,941 S *	11/2004	Ricci	D6/335
D506,092 S *	6/2005	Moser	D6/716.2
D541,544 S *	5/2007	White, III	D6/369
D567,527 S *	4/2008	Galardo	D6/381
D603,613 S *	11/2009	Wilson	D6/334
D664,381 S *	7/2012	Kubryk	D6/366
D759,393 S *	6/2016	Hayon	D6/334

D759,397 S *	6/2016	Wu	D6/366
D762,407 S *	8/2016	Kubryk	D6/716
D767,319 S *	9/2016	Kubryk	D6/716

(Continued)

Primary Examiner — Deanna L Pratt

(74) *Attorney, Agent, or Firm* — Thomas | Horstemeyer, LLP

(57) **CLAIM**

The ornamental design for a sofa, as shown and described.

DESCRIPTION

FIG. 1 is a perspective view of a sofa showing my new design;

FIG. 2 is another perspective view thereof;

FIG. 3 is a front elevational view thereof;

FIG. 4 is a rear elevational view thereof, opposite that of FIG. 3;

FIG. 5 is a side elevational view thereof;

FIG. 6 is a side elevational view thereof, from a side opposite that of FIG. 5;

FIG. 7 is a top view thereof;

FIG. 8 is a bottom view thereof;

FIG. 9 is a perspective view of another embodiment of the sofa showing my new design;

FIG. 10 is another perspective view of FIG. 9;

FIG. 11 is a front elevational view thereof;

FIG. 12 is a rear elevational view thereof, opposite that of FIG. 11;

FIG. 13 is a side elevational view thereof;

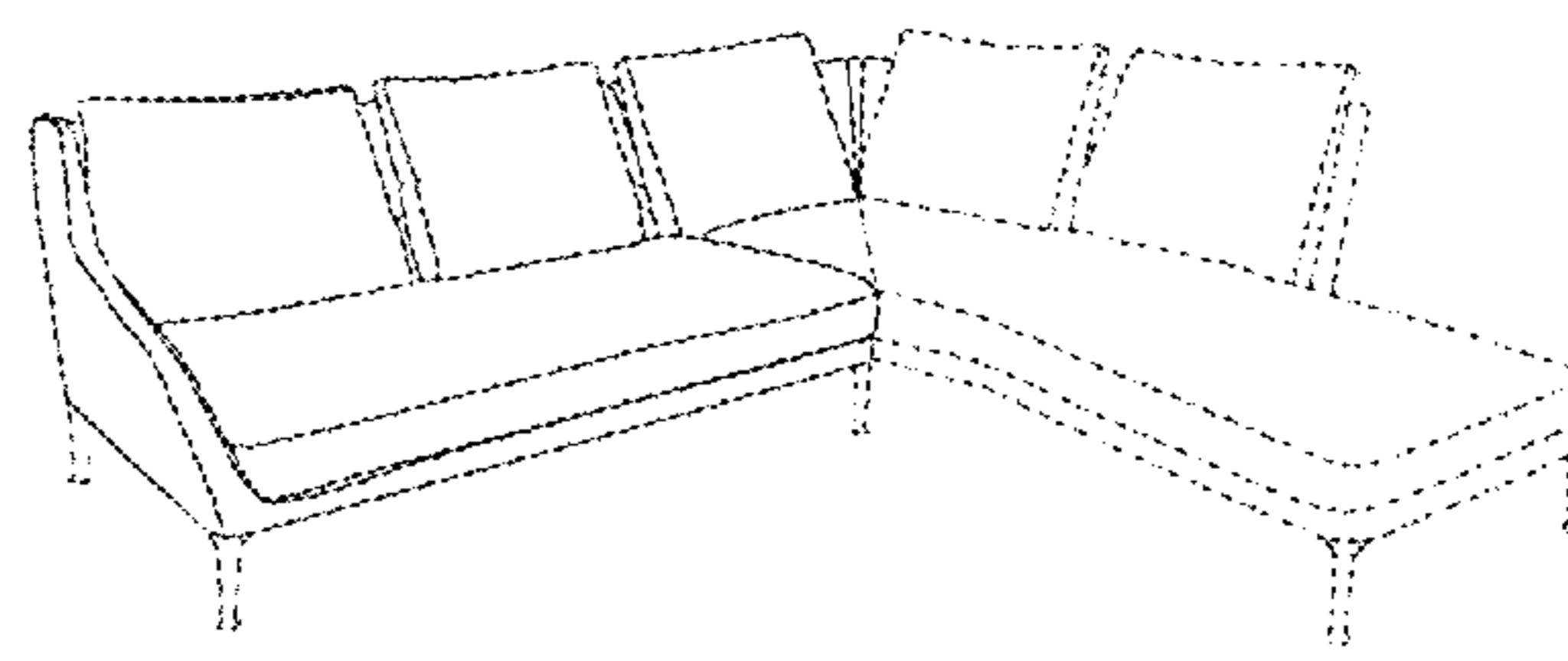
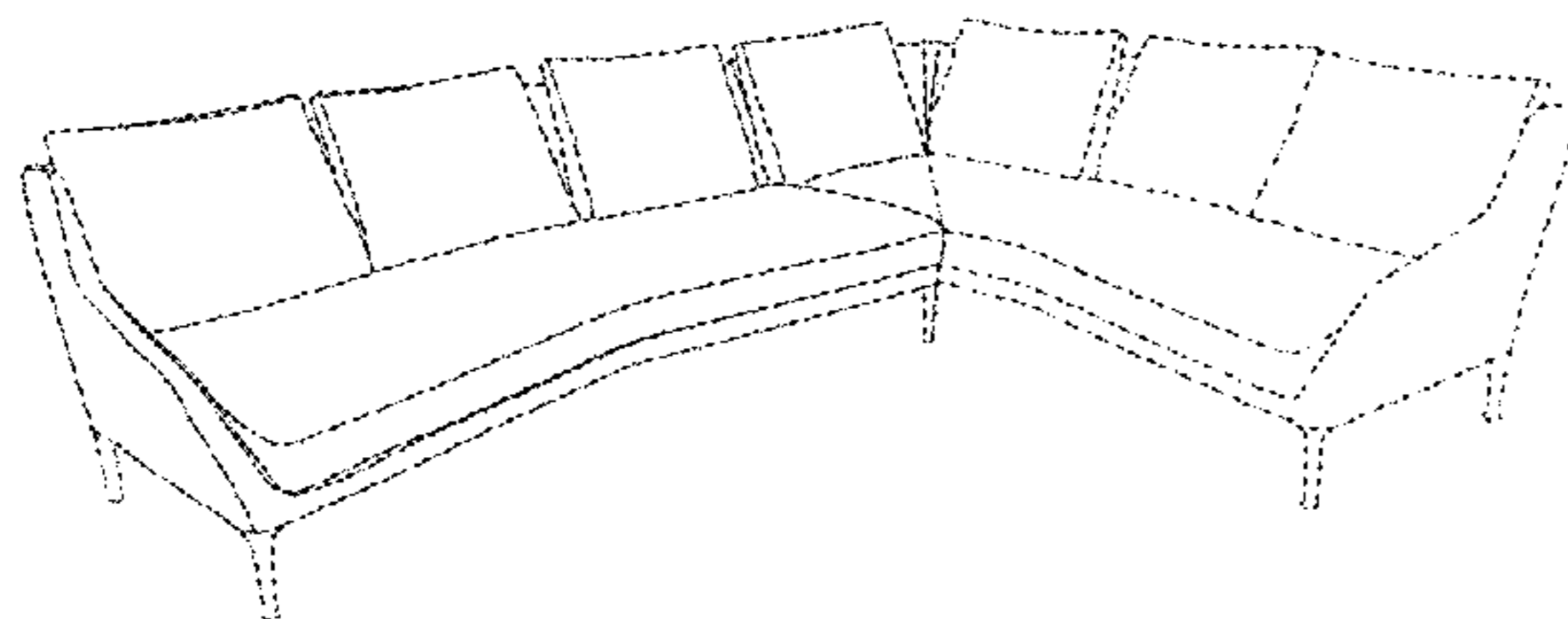
FIG. 14 is a side elevational view thereof, from a side opposite that of FIG. 13;

FIG. 15 is a top view thereof; and,

FIG. 16 is a bottom view thereof.

The broken line showing of a sofa in the figures is included for the purpose of illustrating environmental structure and forms no part of the claimed design. The dash-dot-dash lines showing in the figures are included to illustrate the boundary of the claimed design.

1 Claim, 16 Drawing Sheets



(56)

References Cited

U.S. PATENT DOCUMENTS

D789,101 S	*	6/2017	Morrison	D6/334
D791,492 S	*	7/2017	Mann	D6/334
D796,862 S	*	9/2017	Martell	D6/375
D802,322 S	*	11/2017	Velez	D6/381
D816,366 S	*	5/2018	King	D6/381

* cited by examiner

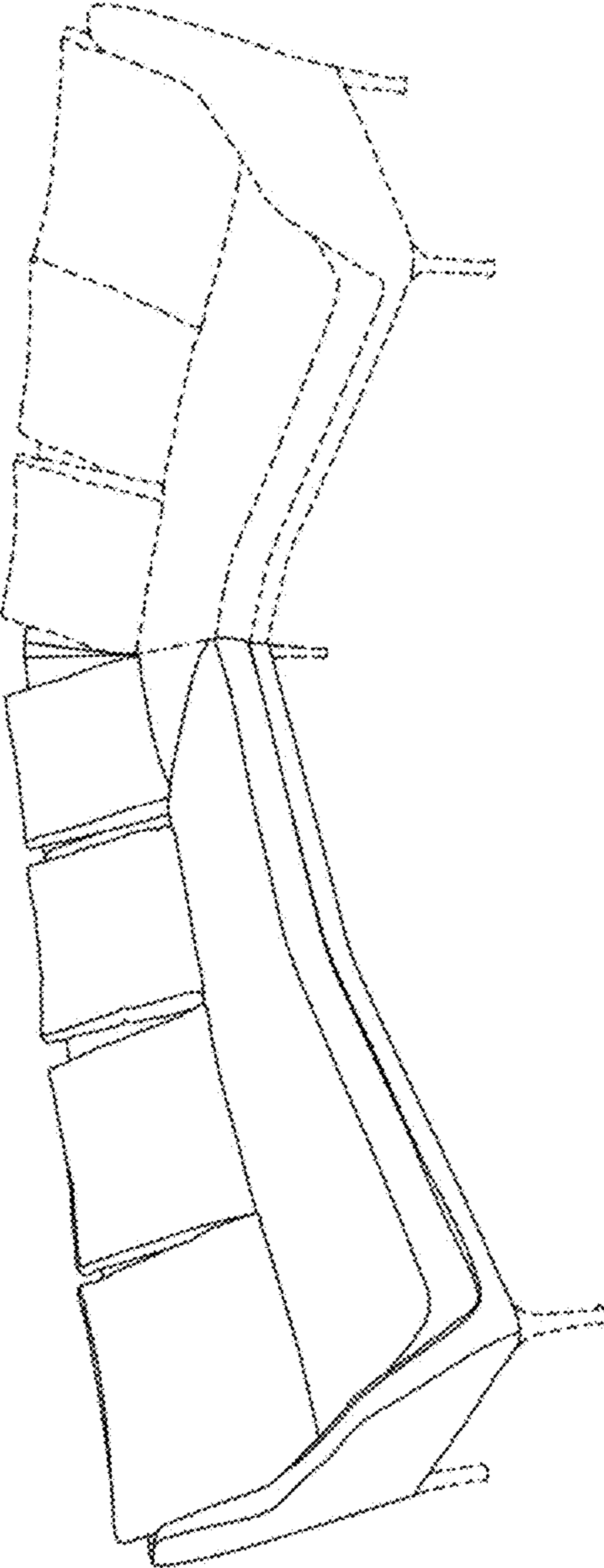


FIG. 1

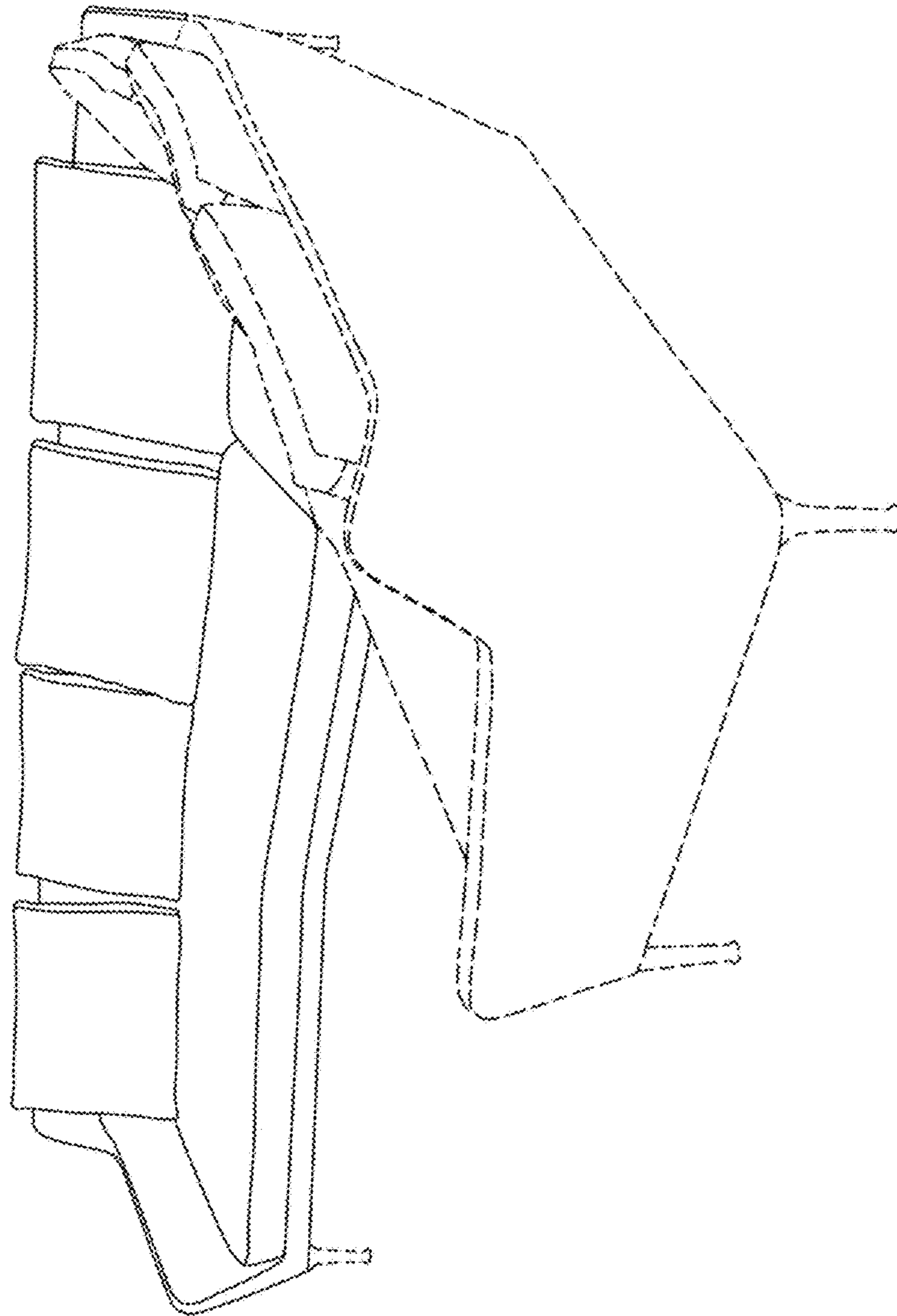


FIG. 2

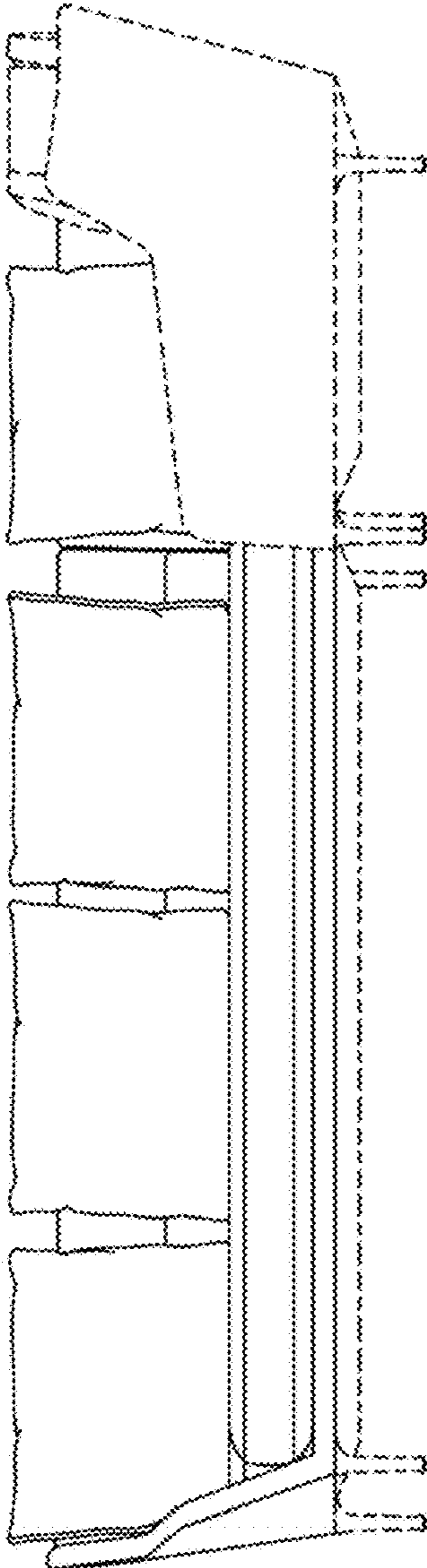


FIG. 3

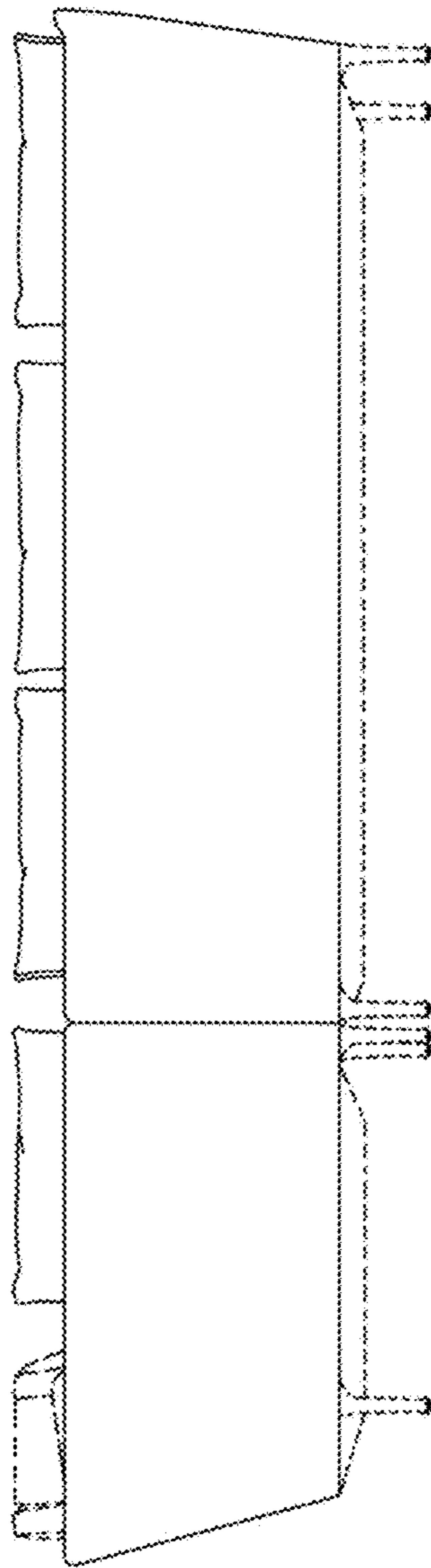


FIG. 4

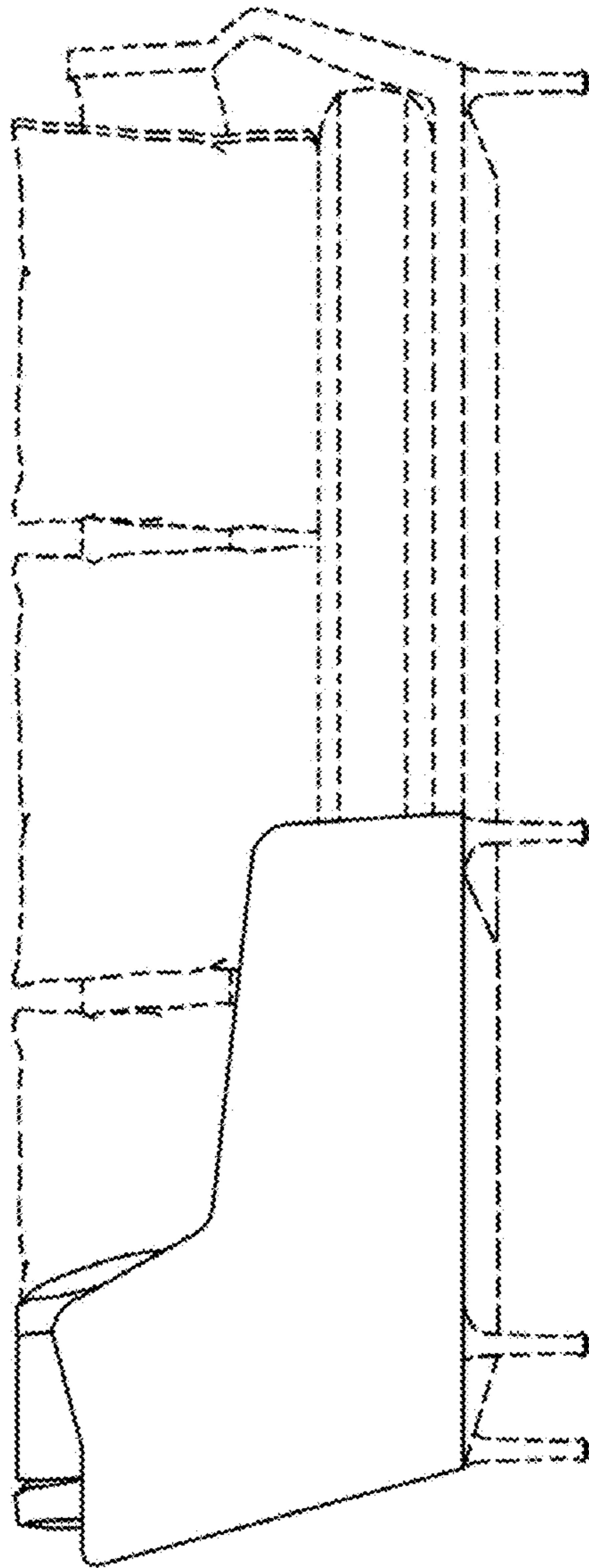


FIG. 5

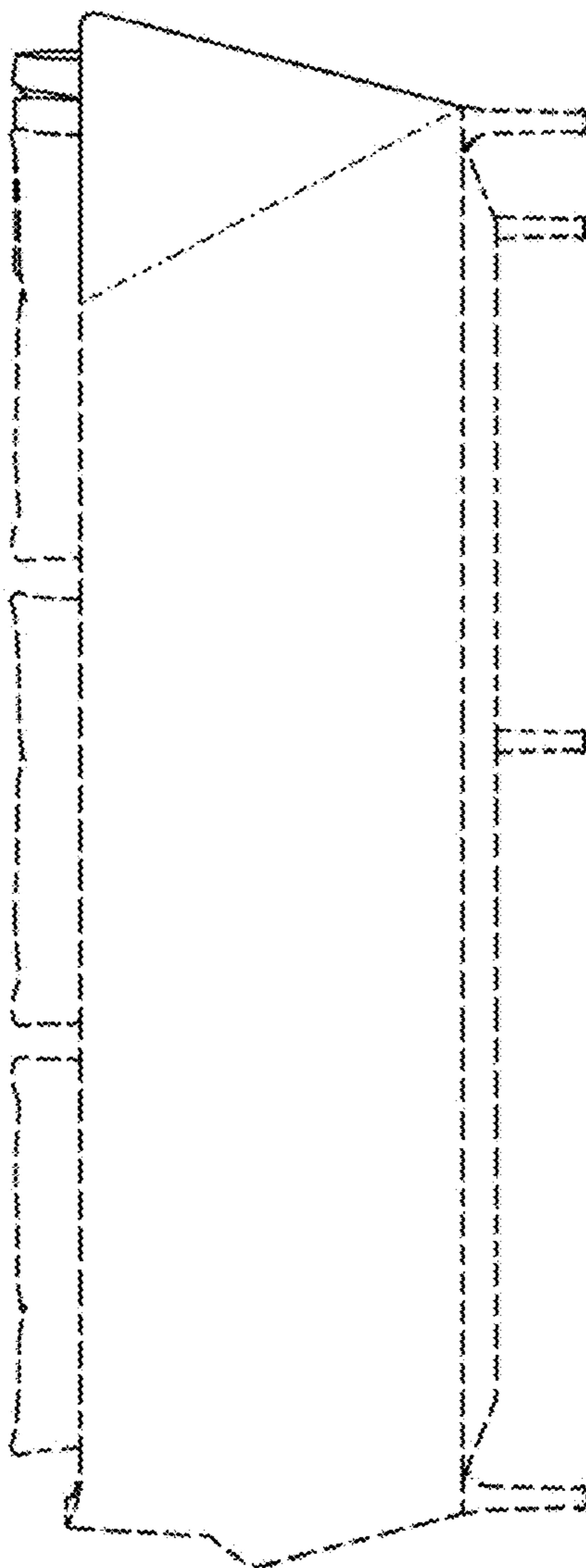


FIG. 6

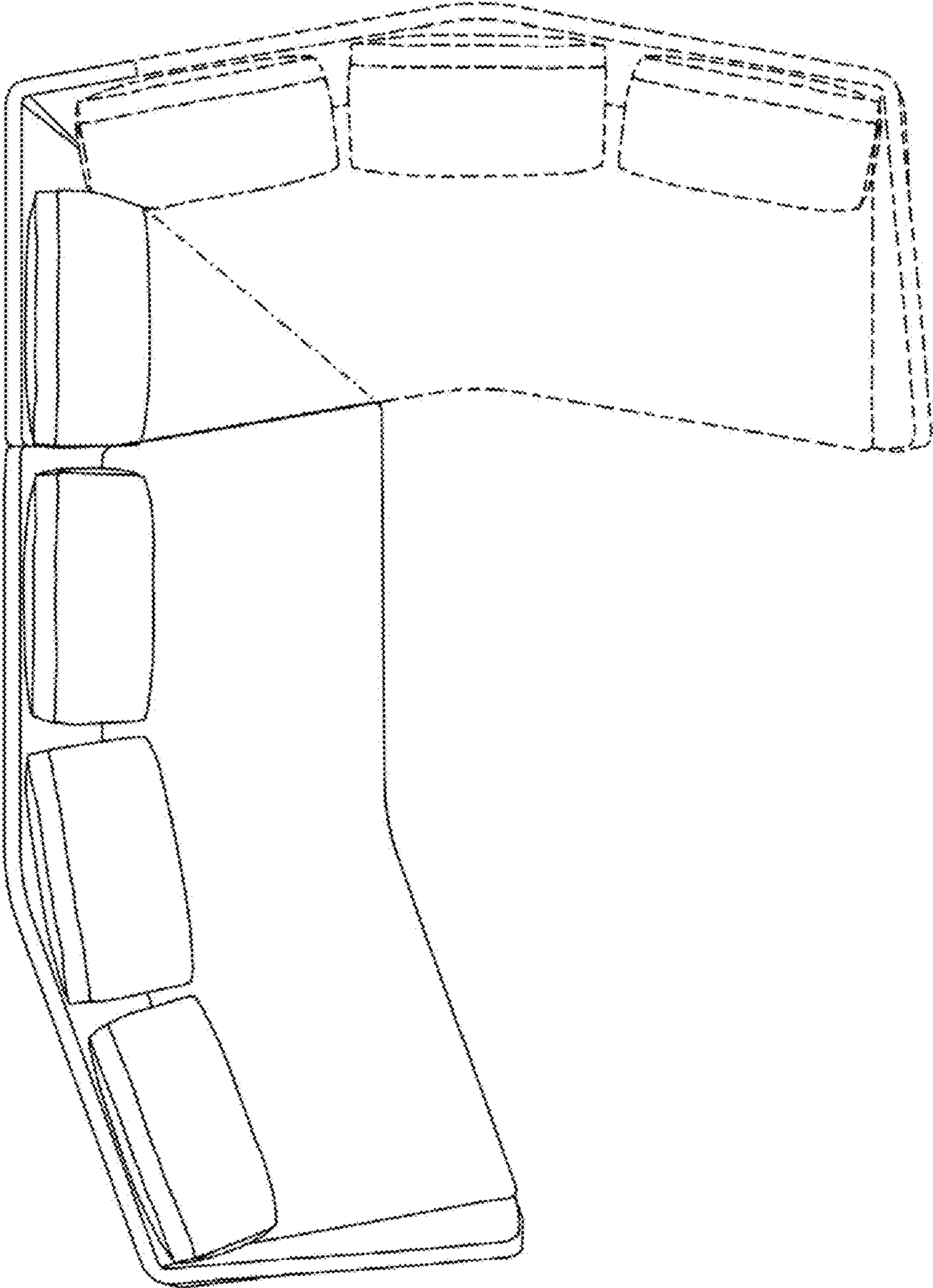


FIG. 7

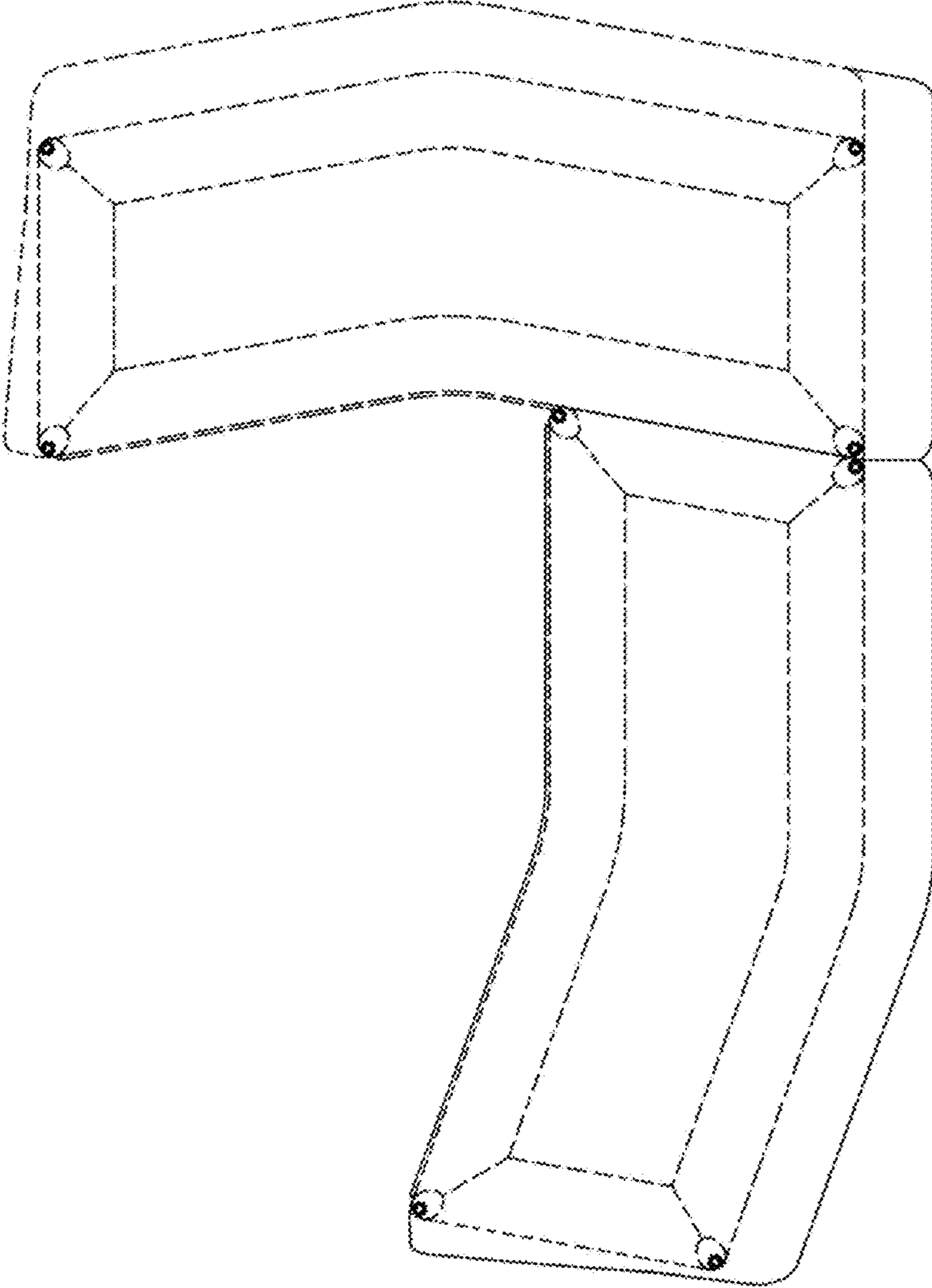


FIG. 8

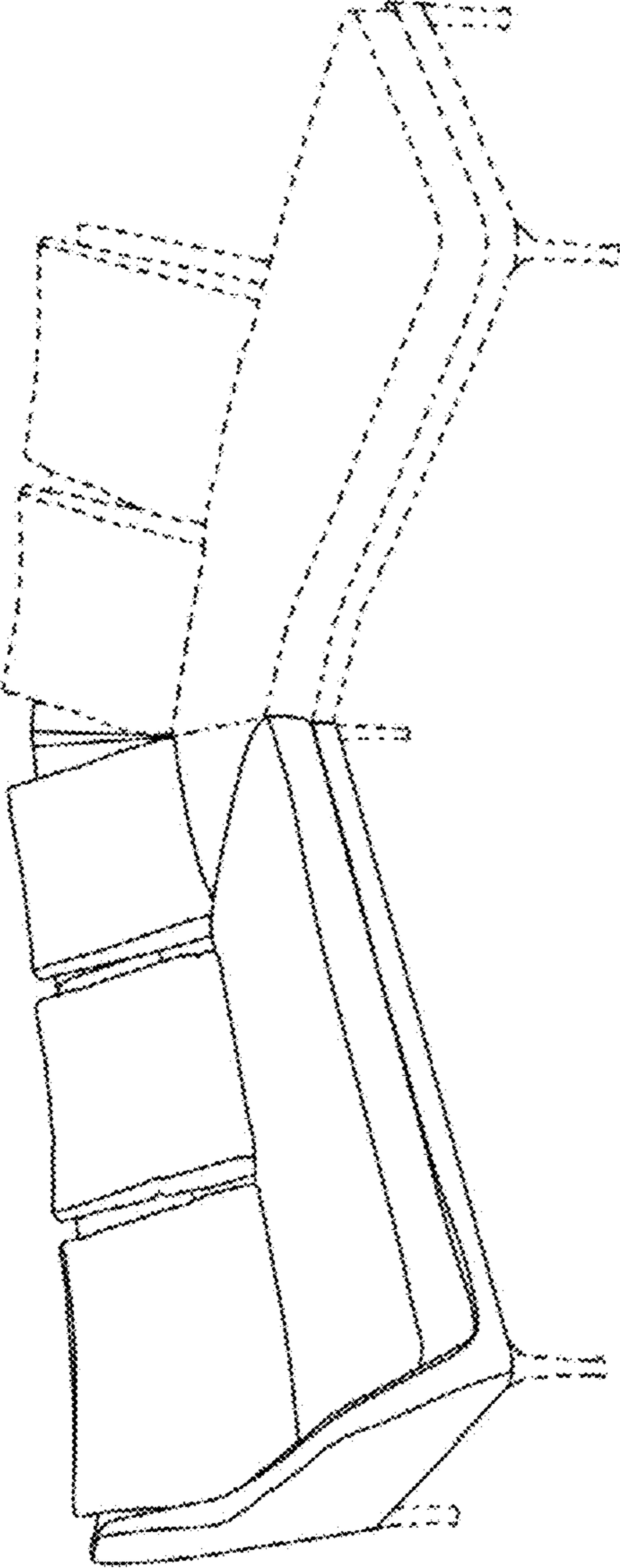


FIG. 9

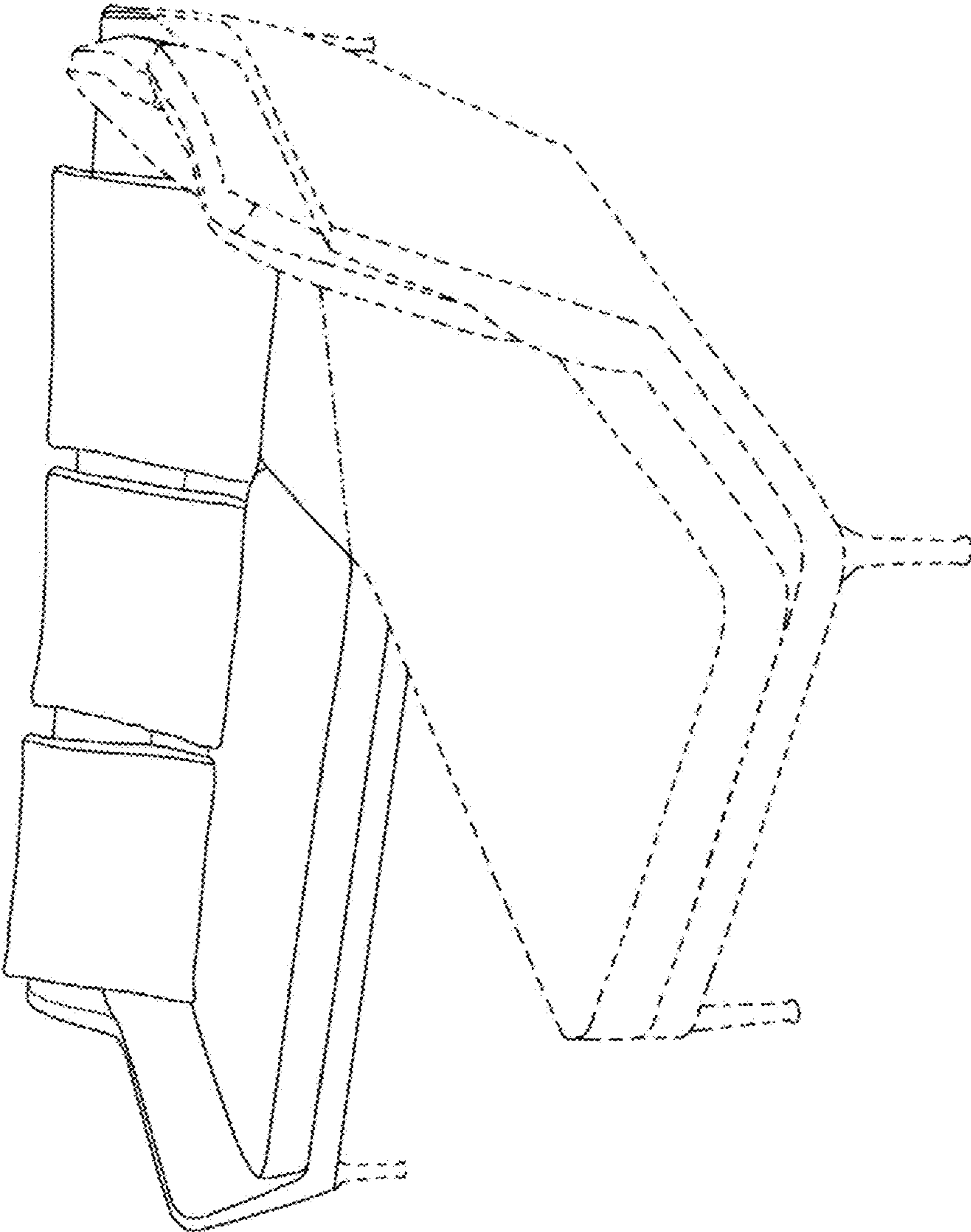


FIG. 10

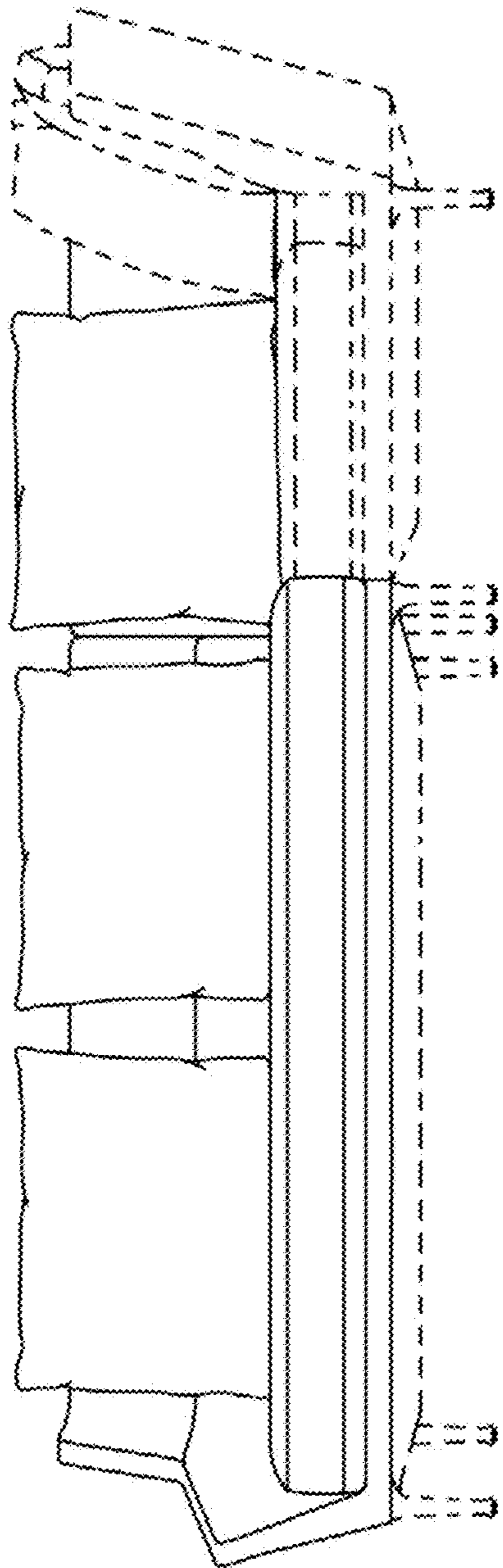


FIG. 11

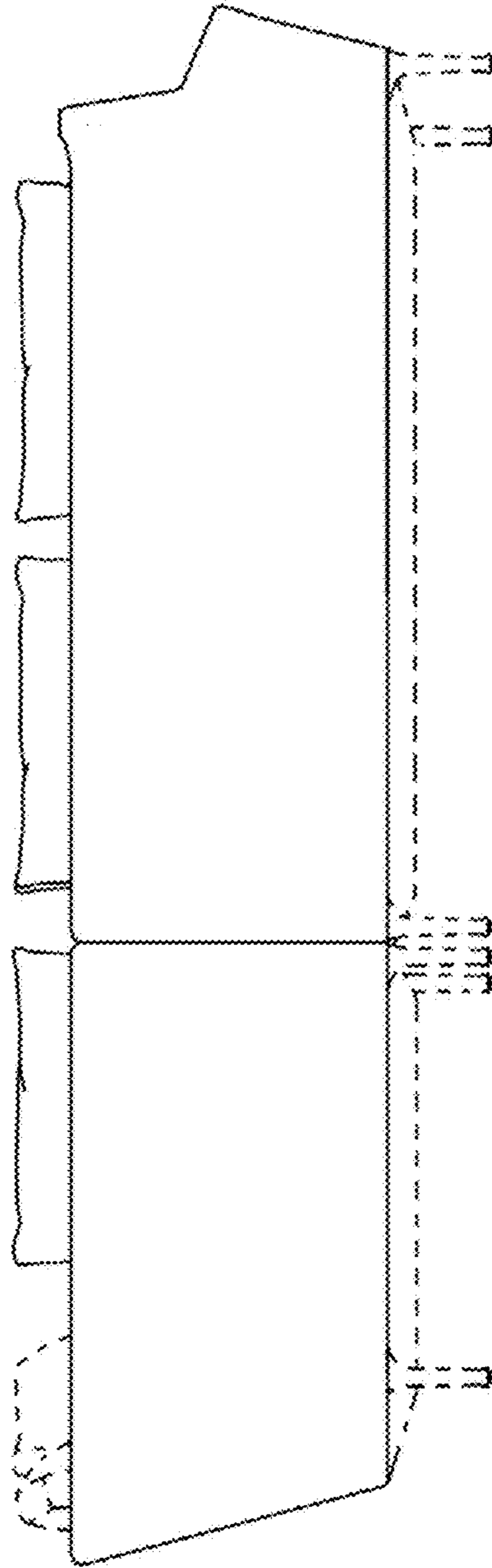


FIG. 12

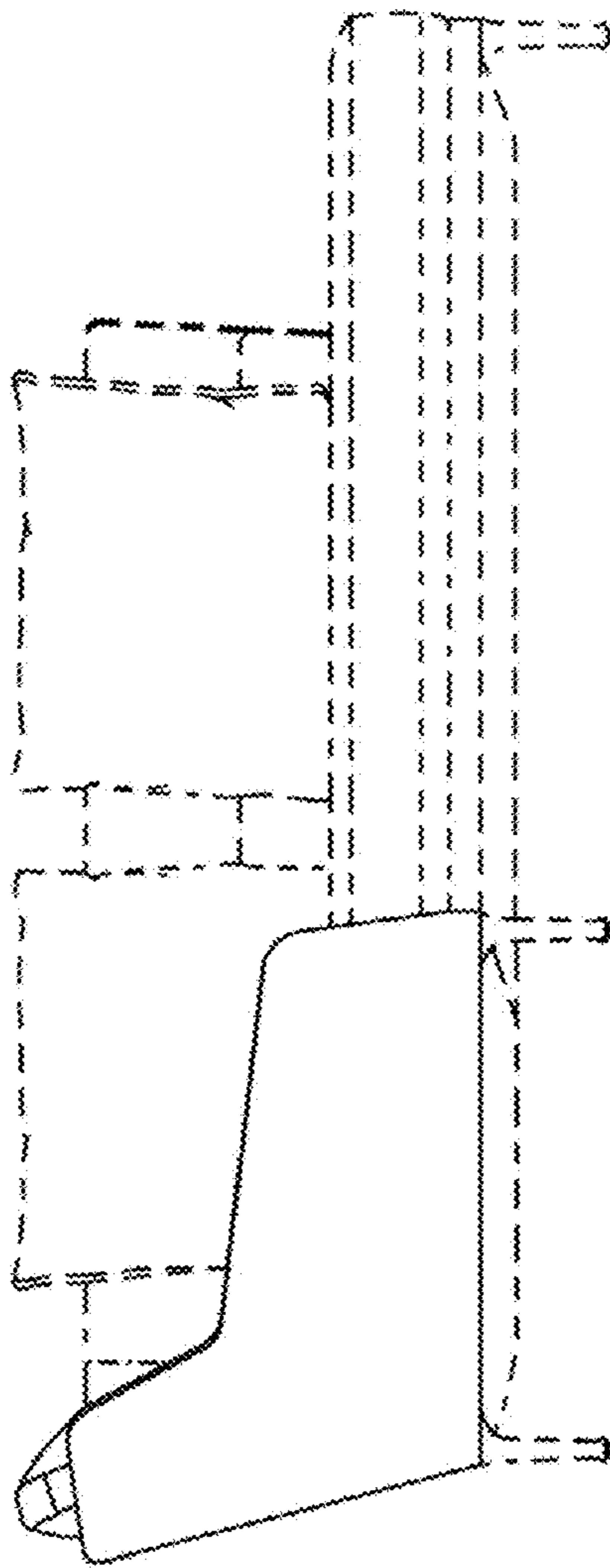


FIG. 13

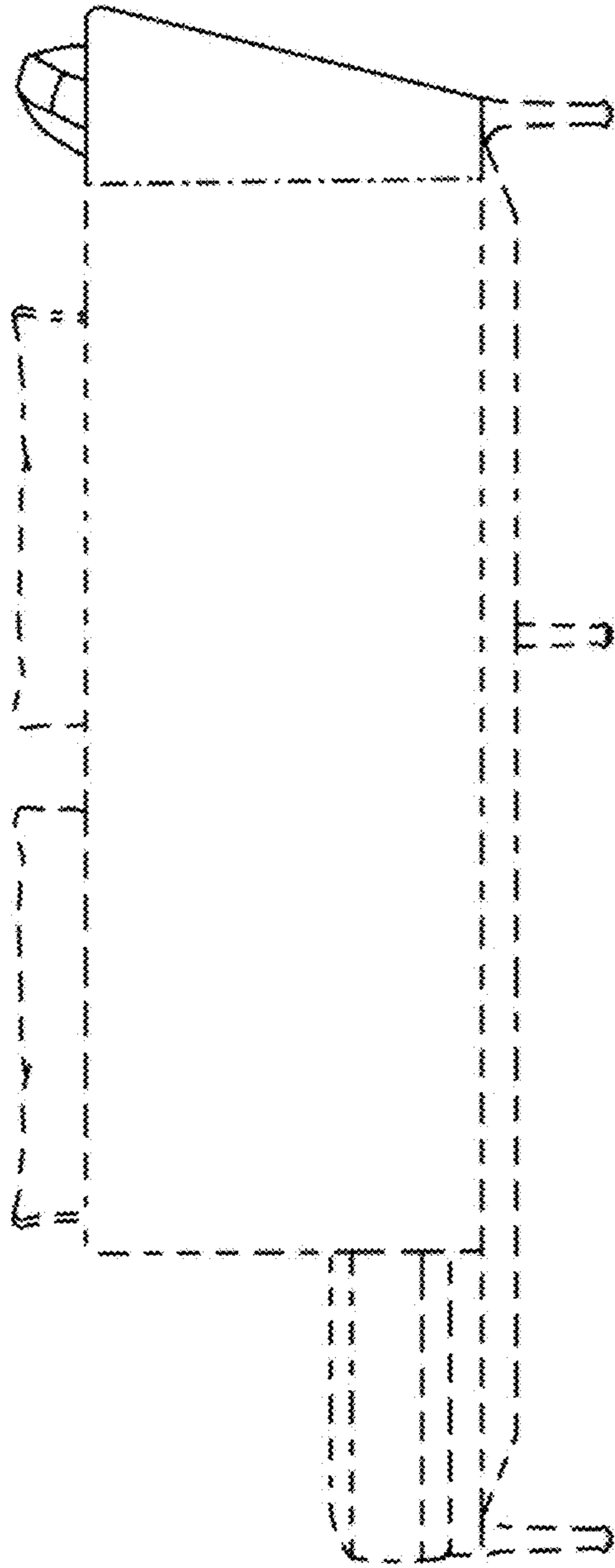


FIG. 14

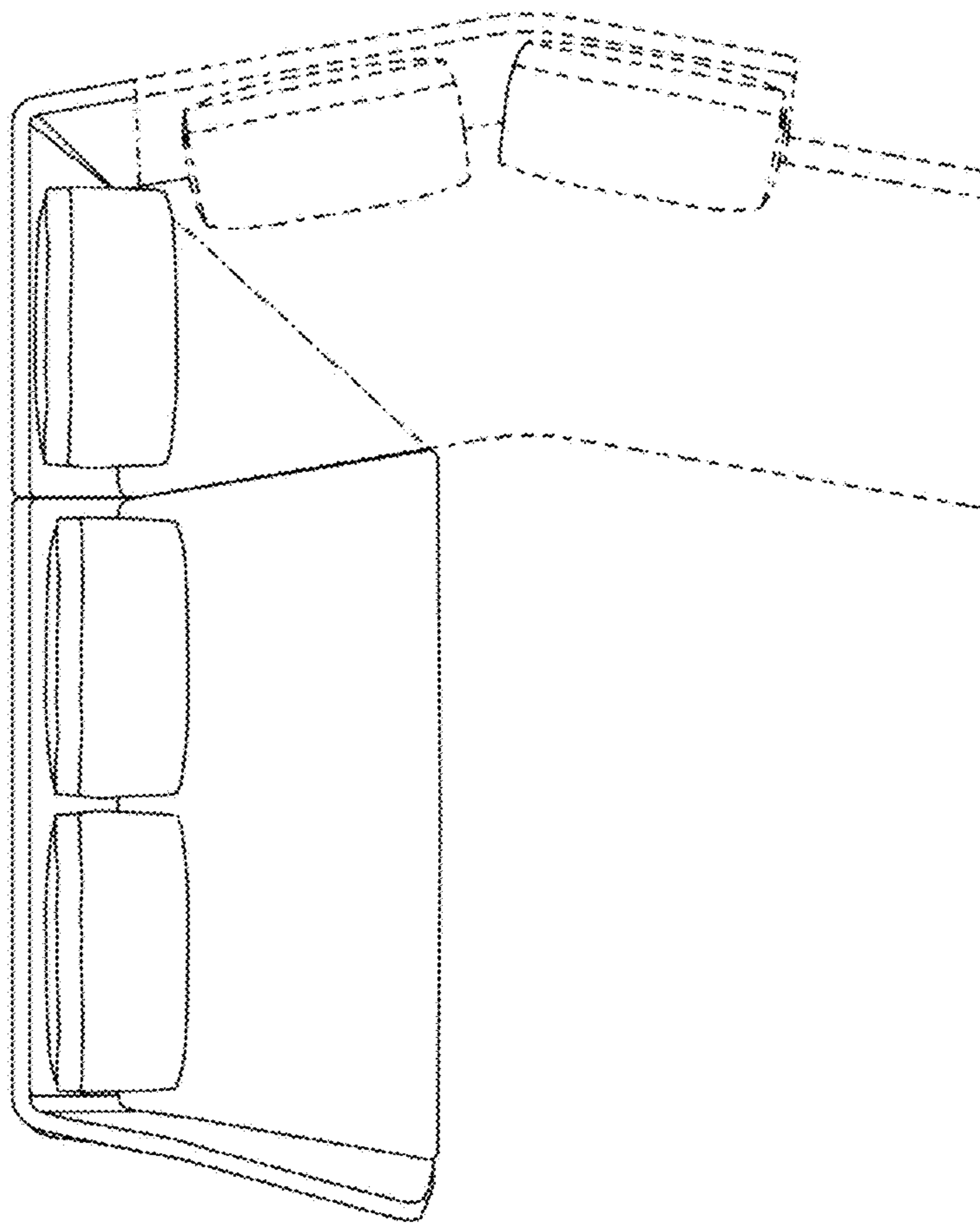


FIG. 15

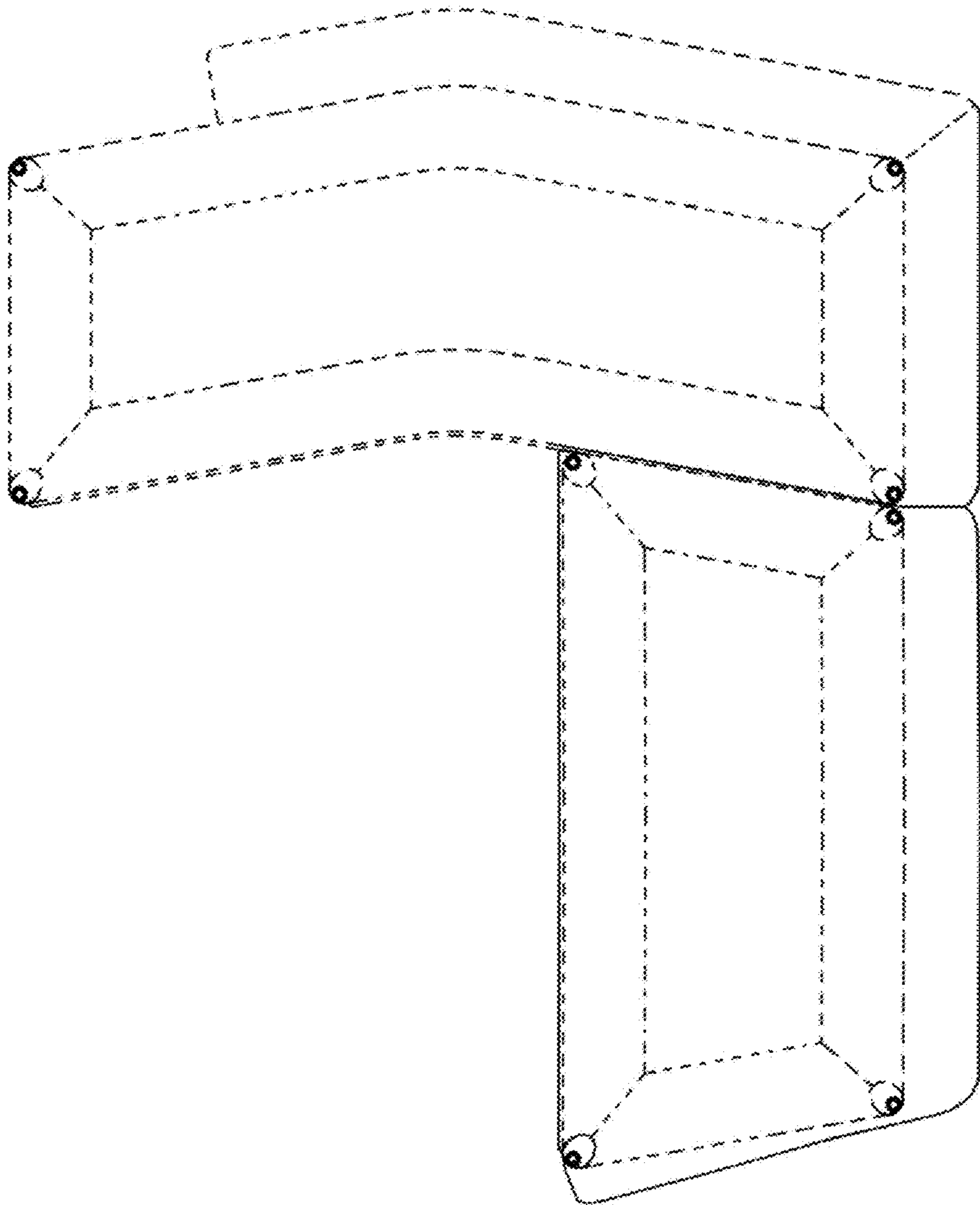


FIG. 16