



US00D841345S

(12) **United States Design Patent**  
**Torres**

(10) **Patent No.:** **US D841,345 S**  
(45) **Date of Patent:** **\*\* Feb. 26, 2019**

(54) **FOLDABLE BABY CHAIR**

(71) Applicant: **KiddieGo, LLC**, Crofton, MD (US)

(72) Inventor: **Emma Torres**, Crofton, MD (US)

(\*\*) Term: **15 Years**

(21) Appl. No.: **29/627,260**

(22) Filed: **Nov. 24, 2017**

(51) **LOC (11) Cl.** ..... **06-01**

(52) **U.S. Cl.**  
USPC ..... **D6/333**

(58) **Field of Classification Search**  
USPC ..... D6/333-336, 339-341, 344, 381, 491,  
D6/500-502; 297/250.1, 255, 256.15,  
(Continued)

(56) **References Cited**

U.S. PATENT DOCUMENTS

D283,566 S \* 4/1986 Cronsioe ..... D6/368  
D303,878 S \* 10/1989 Goldsmith ..... D6/368  
(Continued)

*Primary Examiner* — Abraham Bahta

(74) *Attorney, Agent, or Firm* — Rahman LLC

(57) **CLAIM**

The ornamental design for a foldable baby chair, as shown and described.

**DESCRIPTION**

FIG. 1 is a perspective view of a foldable baby chair in an upright chair configuration with extended legs according to the claimed design.

FIG. 2 is a front view of the foldable baby chair of FIG. 1.

FIG. 3 is a rear view of the foldable baby chair of FIG. 1.

FIG. 4 is a right-side view of the foldable baby chair of FIG. 1.

FIG. 5 is a left-side view of the foldable baby chair of FIG. 1.

FIG. 6 is a front view of the foldable baby chair of FIG. 1 with folded legs.

FIG. 7 is a rear view of the foldable baby chair of FIG. 6. FIG. 8 is a right-side view of the foldable baby chair of FIG. 6.

FIG. 9 is a left-side view of the foldable baby chair of FIG. 6.

FIG. 10 is a top perspective view of the foldable baby chair of FIG. 1 in a fully extended configuration.

FIG. 11 is a bottom perspective view of the foldable baby chair of FIG. 10 with folded legs.

FIG. 12 is a plan view of a first side of the foldable baby chair of FIG. 1 in a fully folded configuration.

FIG. 13 is a plan view of a second side of the foldable baby chair of FIG. 1 in a fully folded configuration.

FIG. 14 is a side view of the foldable baby chair of FIG. 1 in a folded configuration with folded legs.

FIG. 15 is a bottom view of the foldable baby chair of FIG. 1 in a fully folded or upright chair configuration with folded legs.

FIG. 16 is a front view of the foldable baby chair of FIG. 10 in a fully extended configuration with extended legs.

FIG. 17 is a rear view of the foldable baby chair of FIG. 10 in a fully extended configuration with extended legs.

FIG. 18 is a right-side view of the foldable baby chair of FIG. 10 in a fully extended configuration with extended legs.

FIG. 19 is a left-side view of the foldable baby chair of FIG. 10 in a fully extended configuration with extended legs.

FIG. 20 is a front view of the foldable baby chair of FIG. 10 in a fully extended configuration with folded legs.

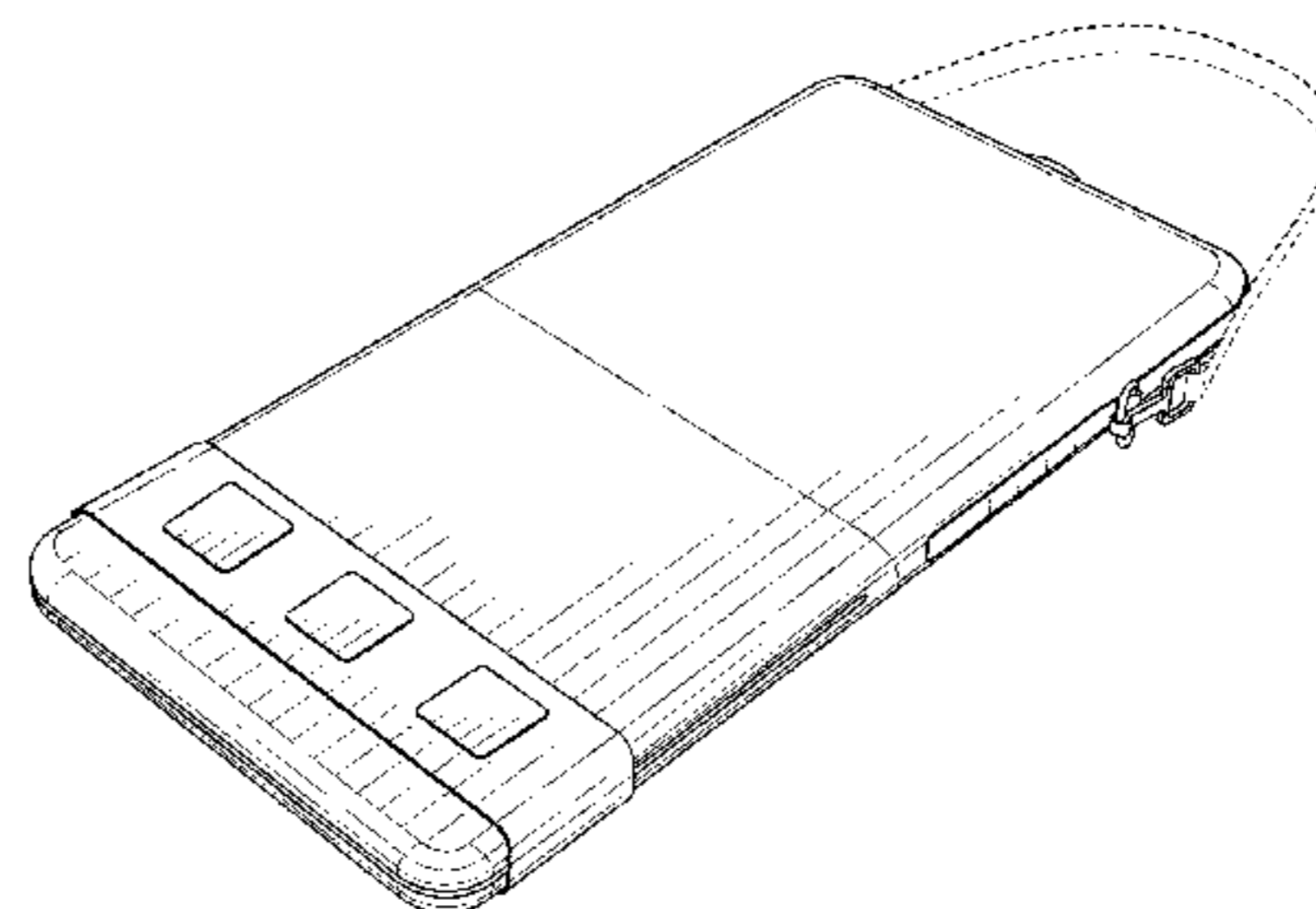
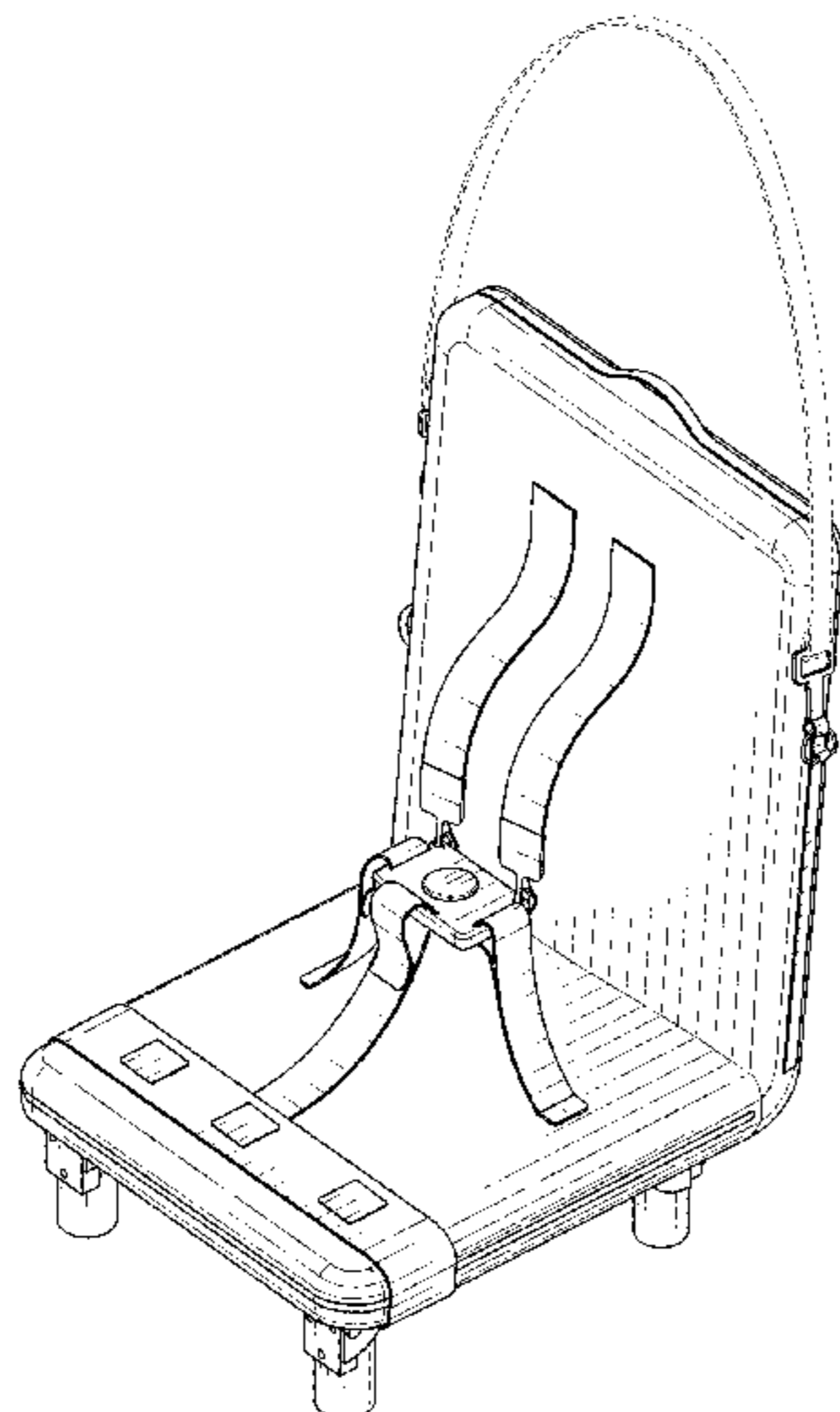
FIG. 21 is a rear view of the foldable baby chair of FIG. 10 in a fully extended configuration with folded legs.

FIG. 22 is a right-side view of the foldable baby chair of FIG. 10 in a fully extended configuration with folded legs; and,

FIG. 23 is a left-side view of the foldable baby chair of FIG. 10 in a fully extended configuration with folded legs.

The broken lines shown in the figures show portions of the foldable baby chair that form no part of the claimed design.

**1 Claim, 19 Drawing Sheets**



(58) **Field of Classification Search**

USPC ... 297/183.1–183.4, 184.15, 184.17, 256.16;  
D12/129–130, 133; 5/94, 98.2, 103–104,  
5/655, 655.3; D21/419; 280/30–31  
CPC ..... A47C 4/54; A47C 7/021; A47C 7/022;  
A47C 31/11

See application file for complete search history.

(56) **References Cited**

U.S. PATENT DOCUMENTS

D746,071 S	*	12/2015	Haley	.....	D6/333
D762,394 S	*	8/2016	Hardesty	.....	D6/368
D788,478 S	*	6/2017	Sumroy	.....	D6/333
D802,954 S	*	11/2017	Lin	.....	D6/368

\* cited by examiner

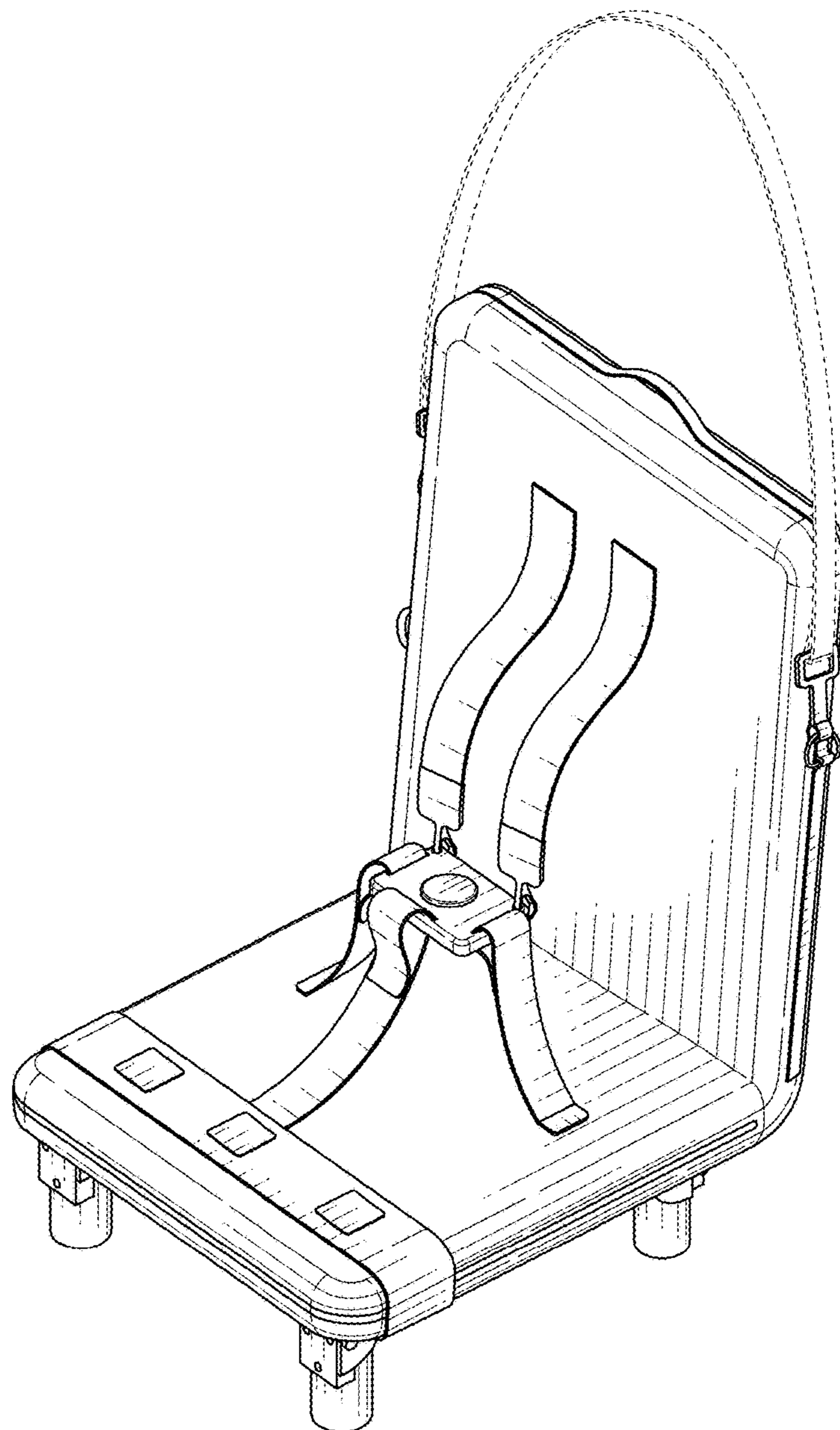


FIG. 1

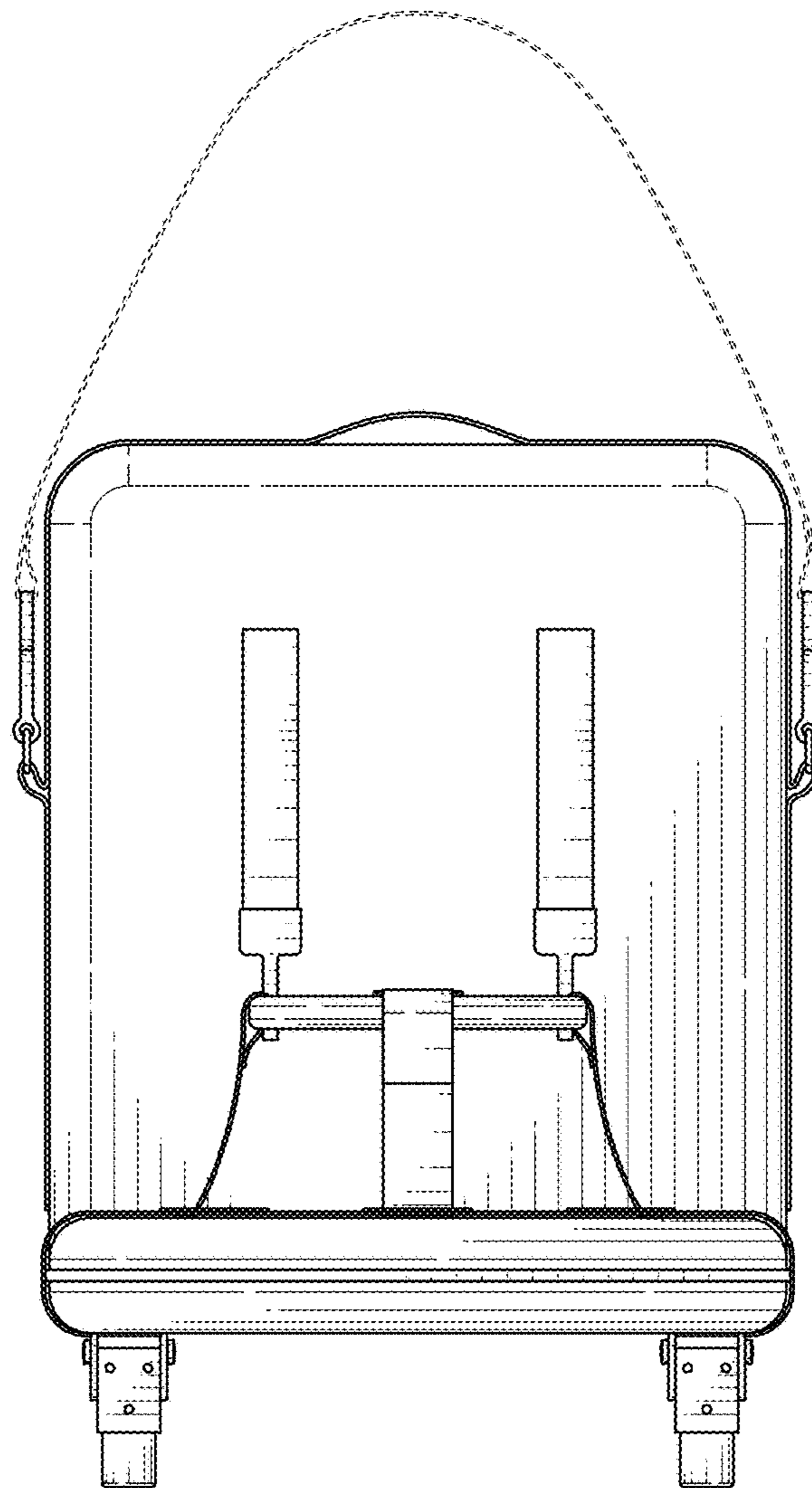


FIG. 2

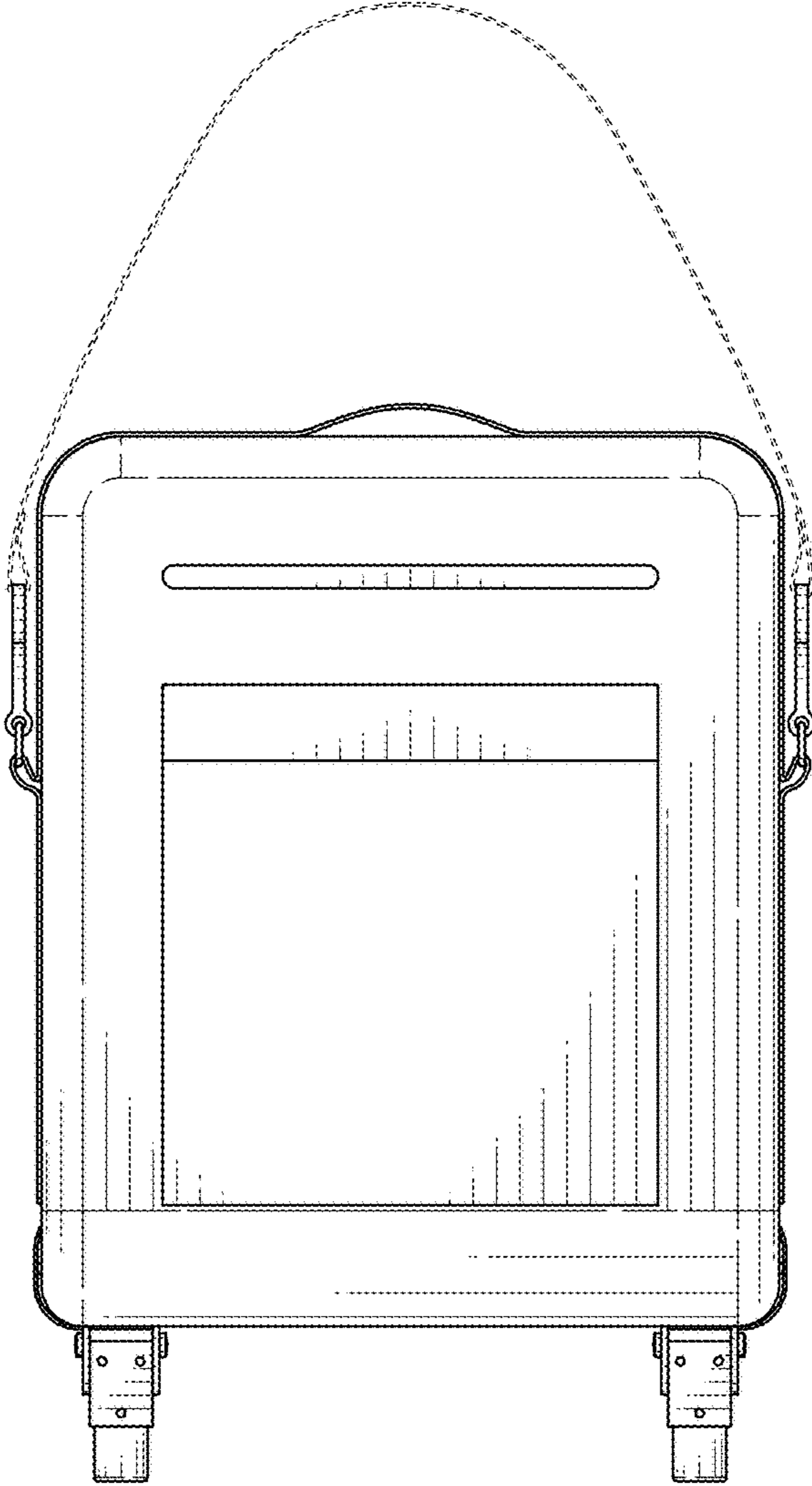


FIG. 3

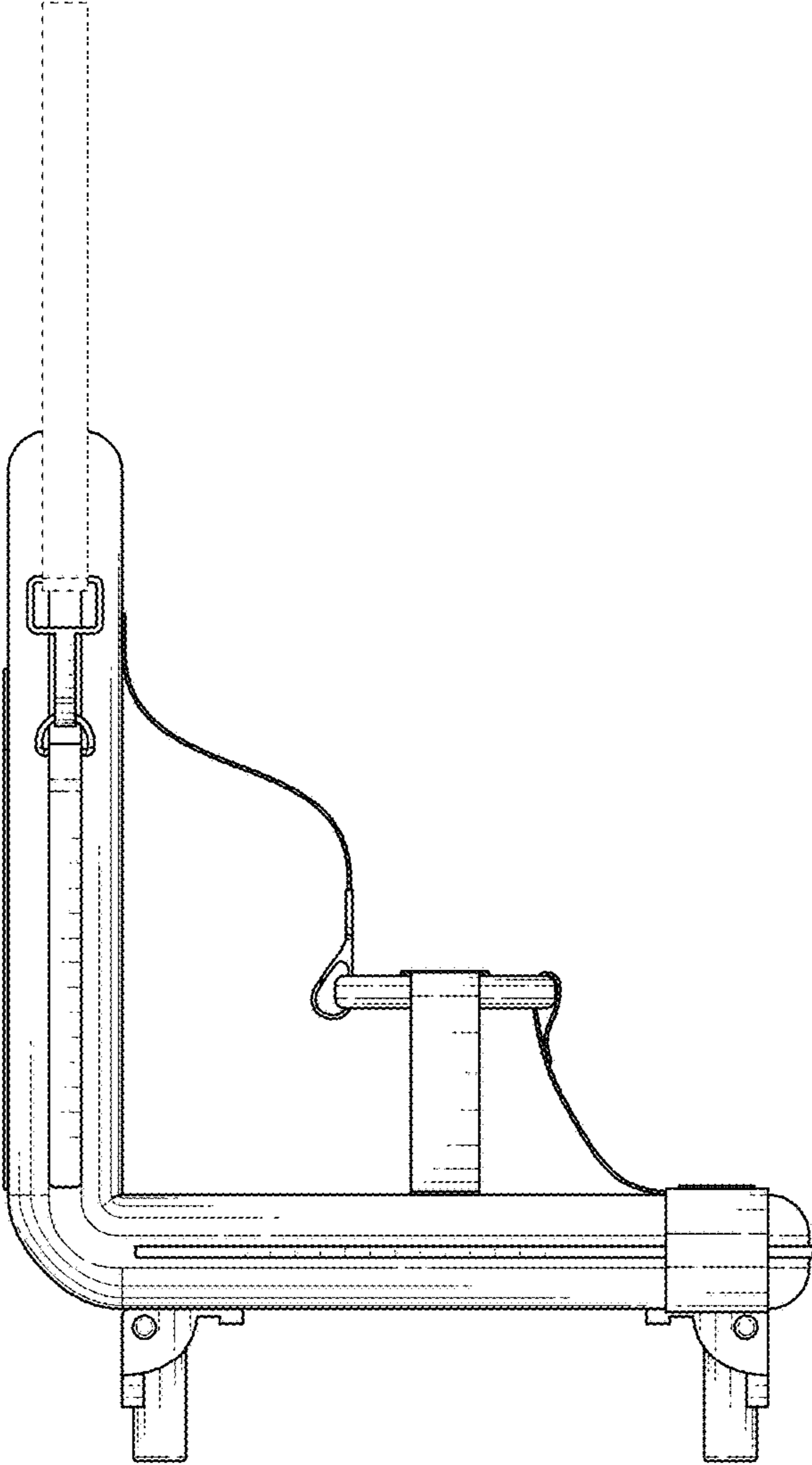


FIG. 4

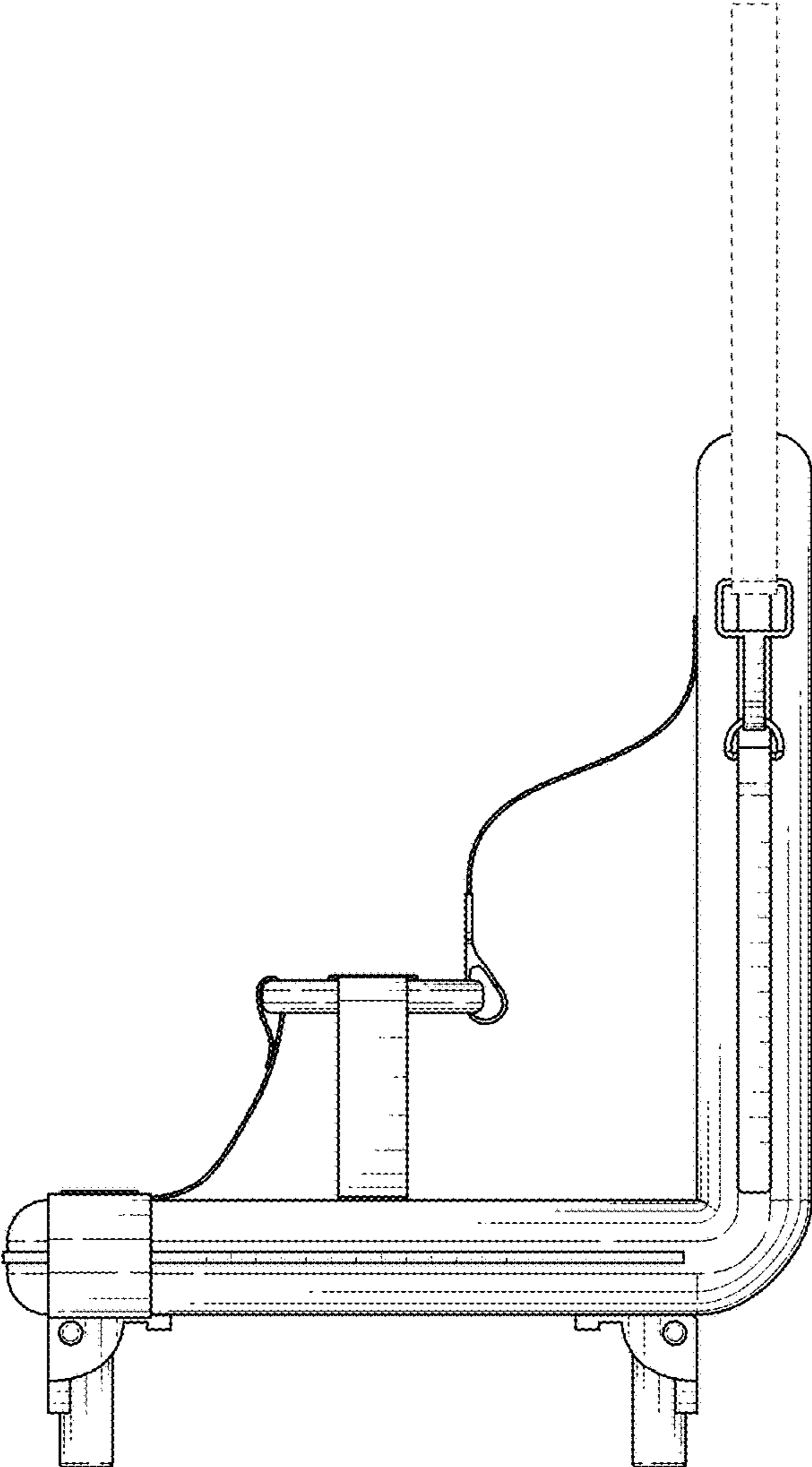


FIG. 5

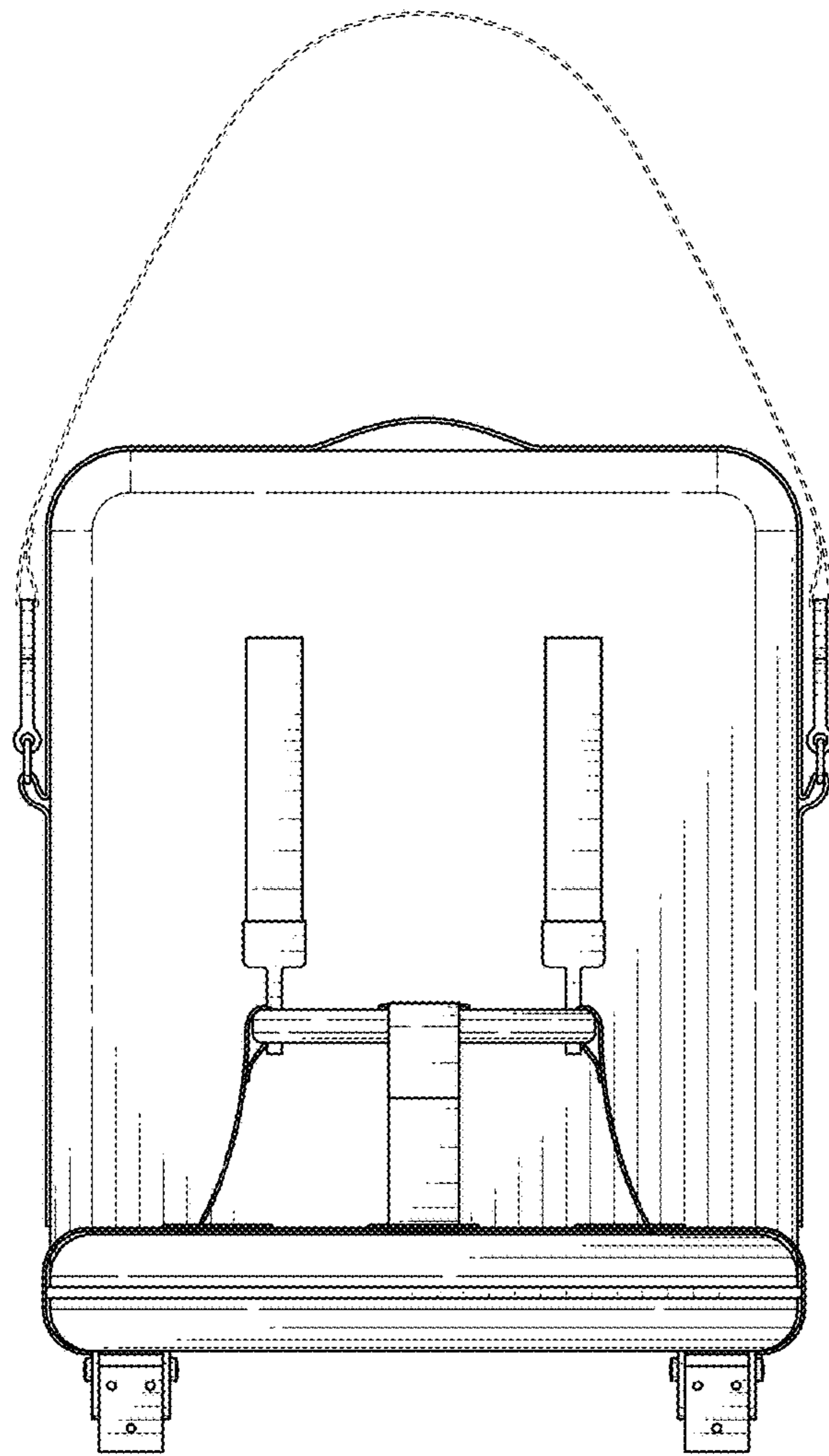


FIG. 6



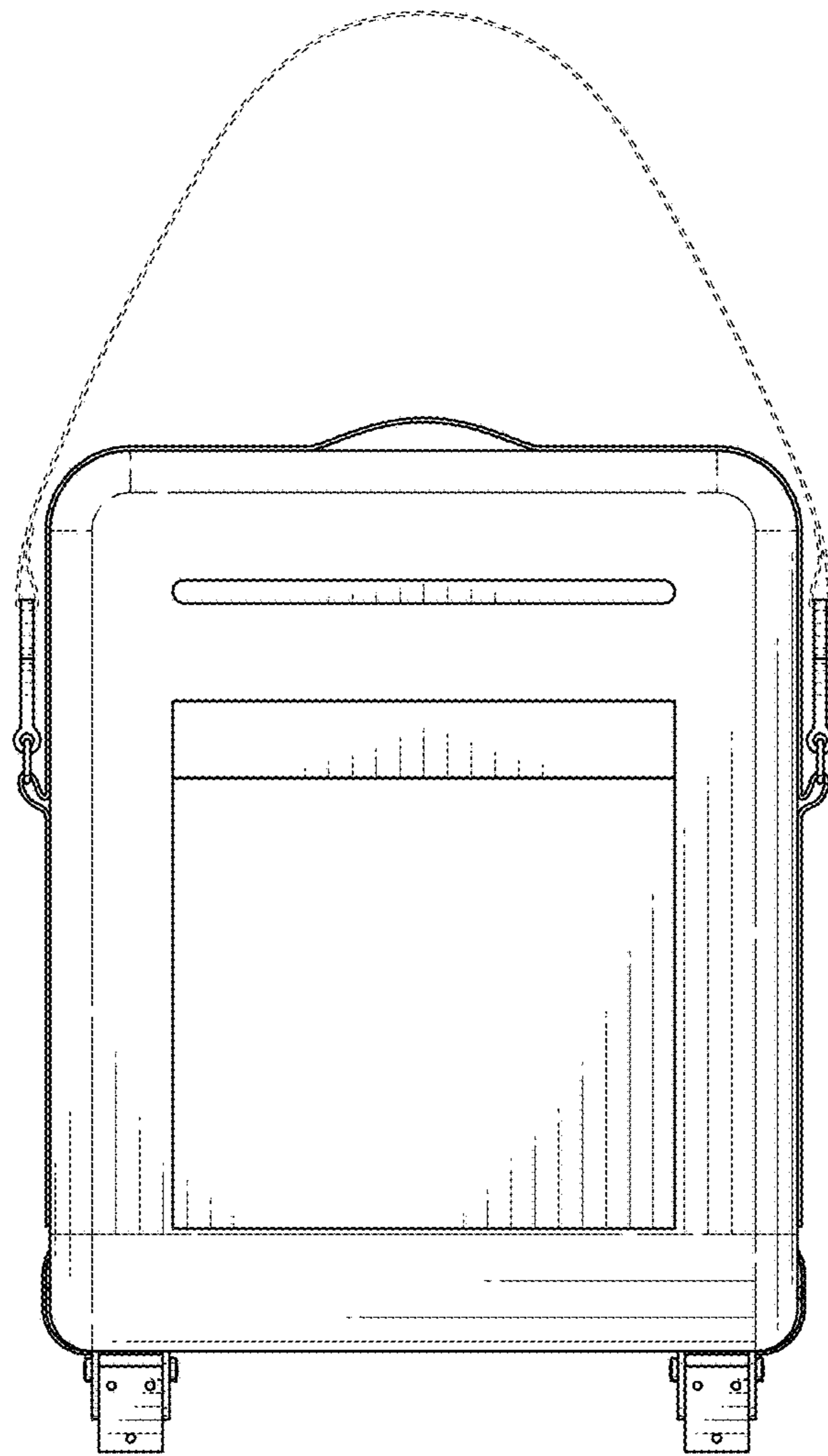


FIG. 7

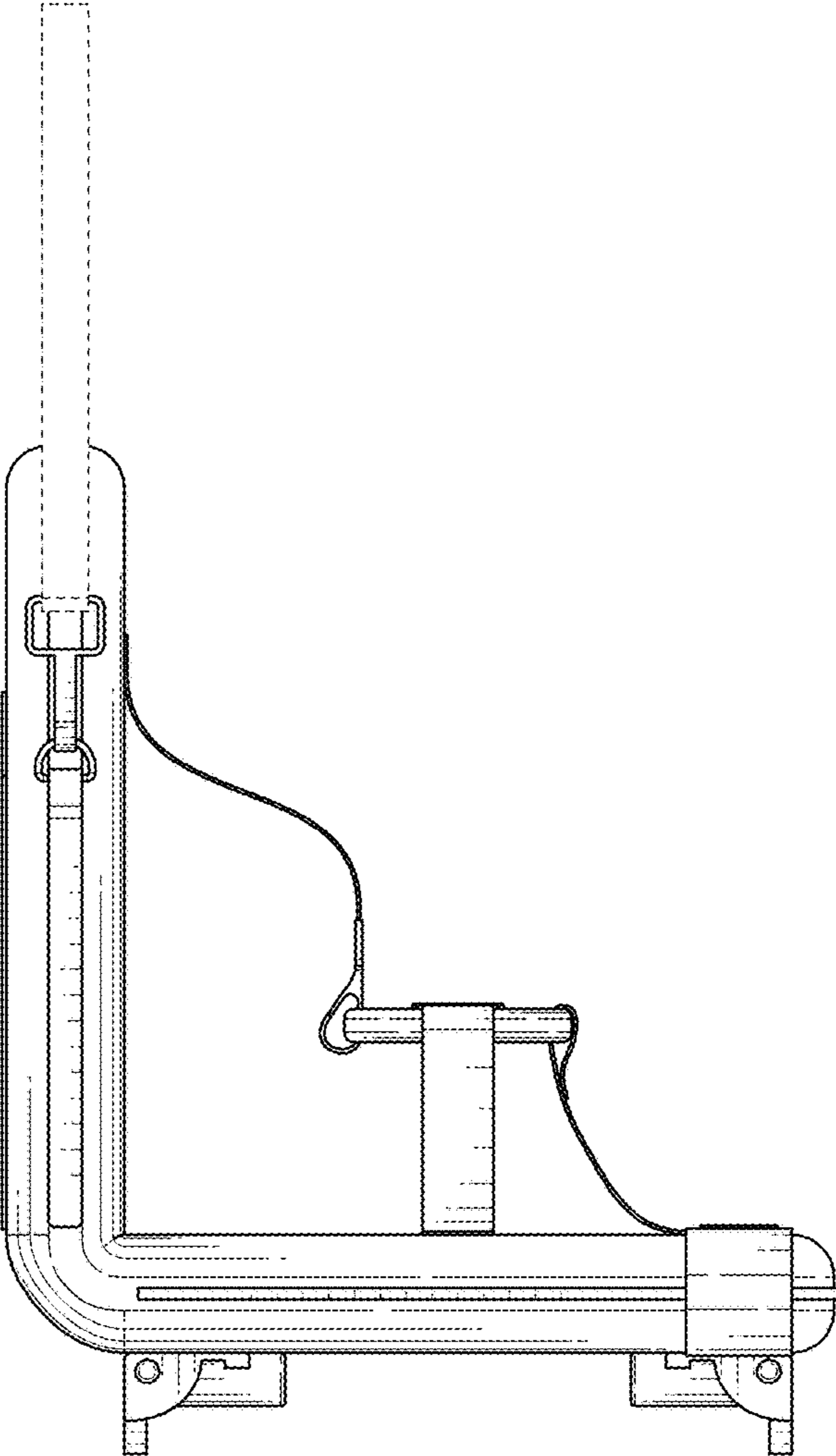


FIG. 8

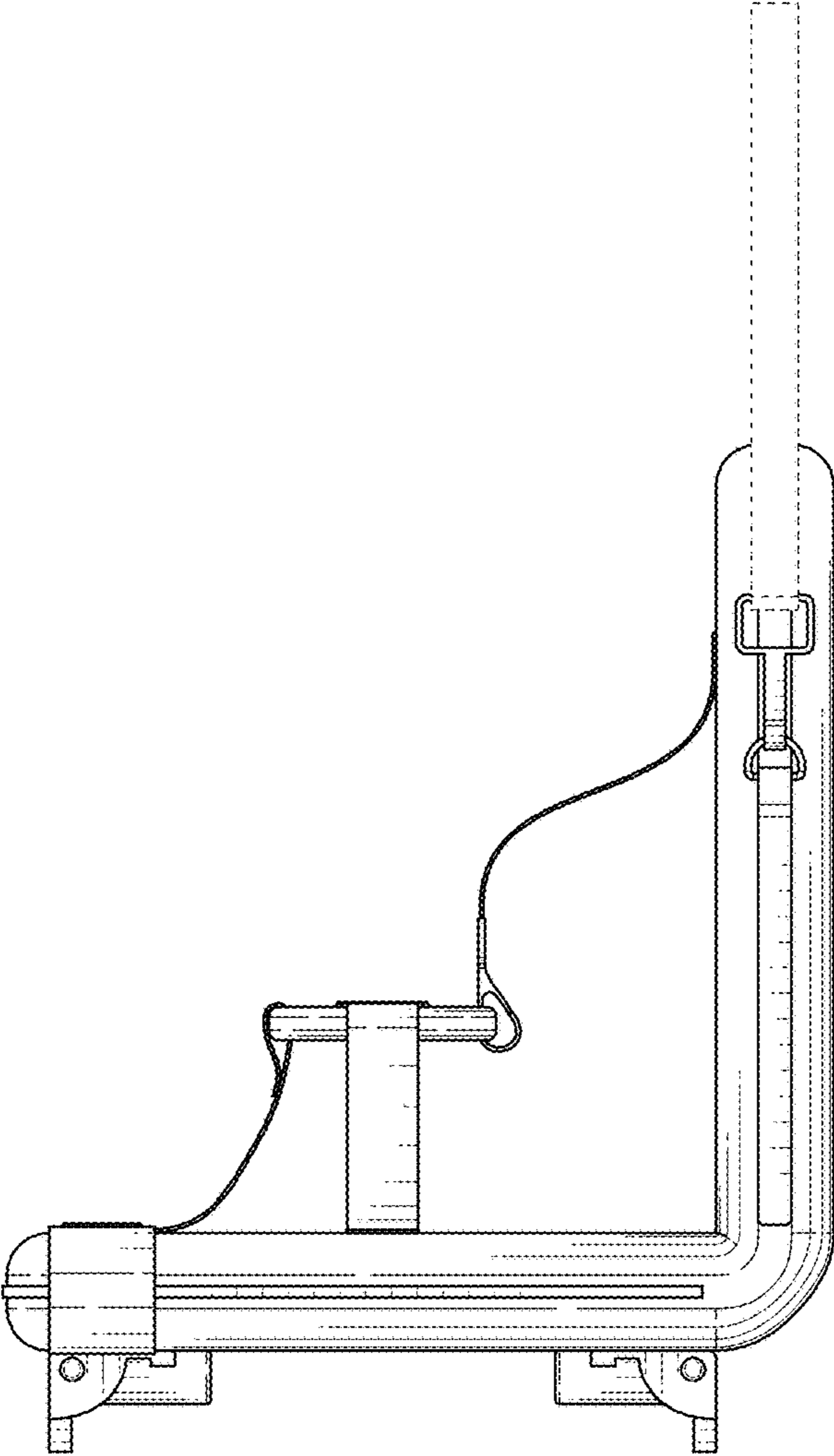


FIG. 9

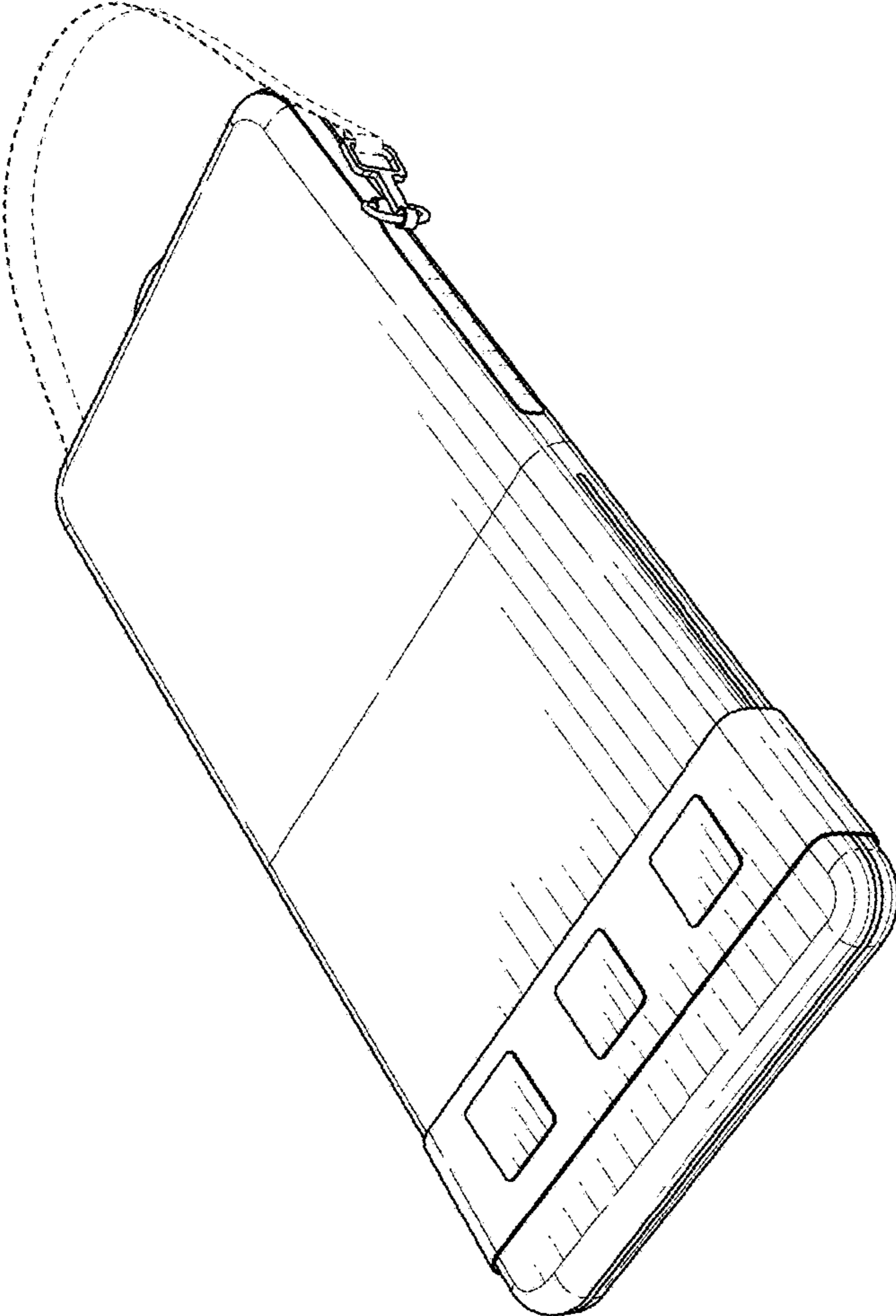


FIG. 10

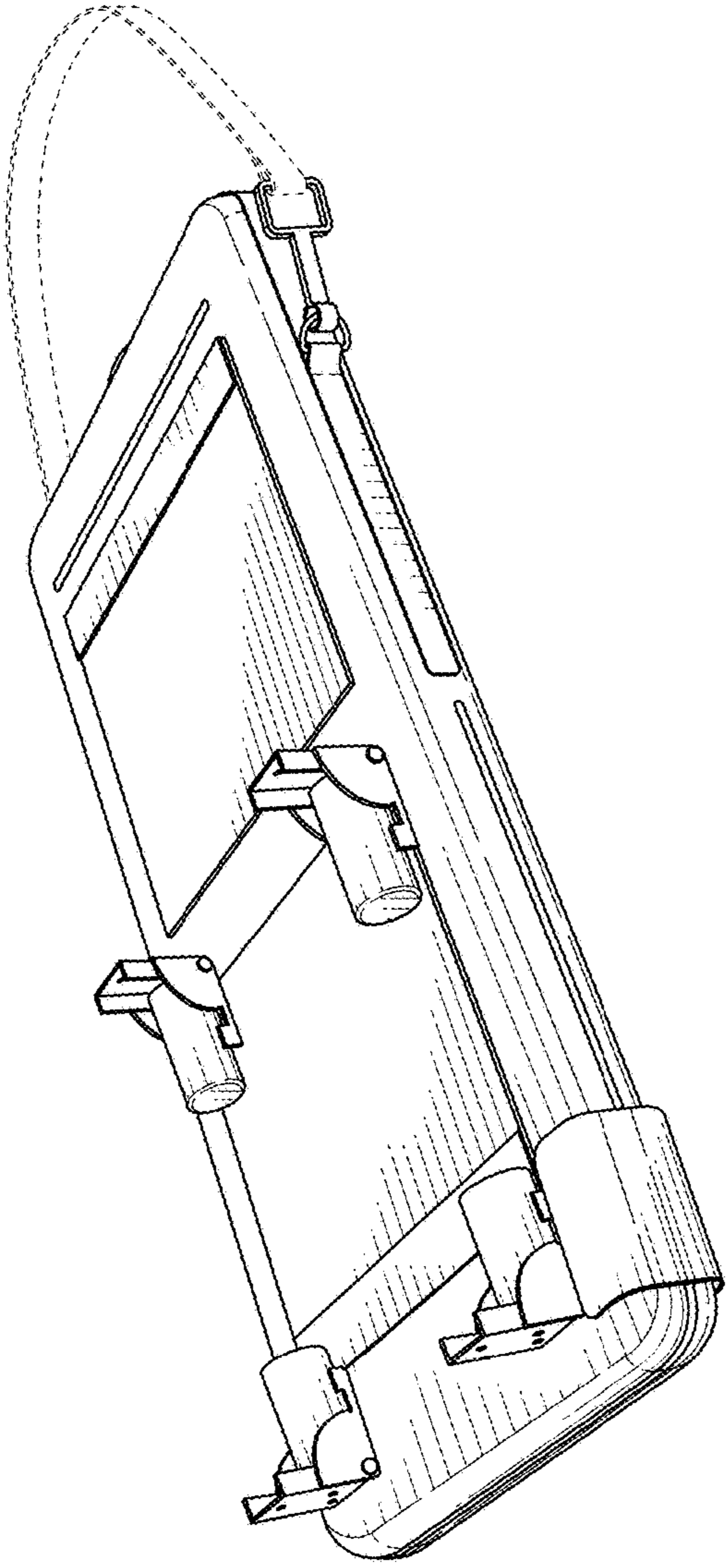


FIG. 11

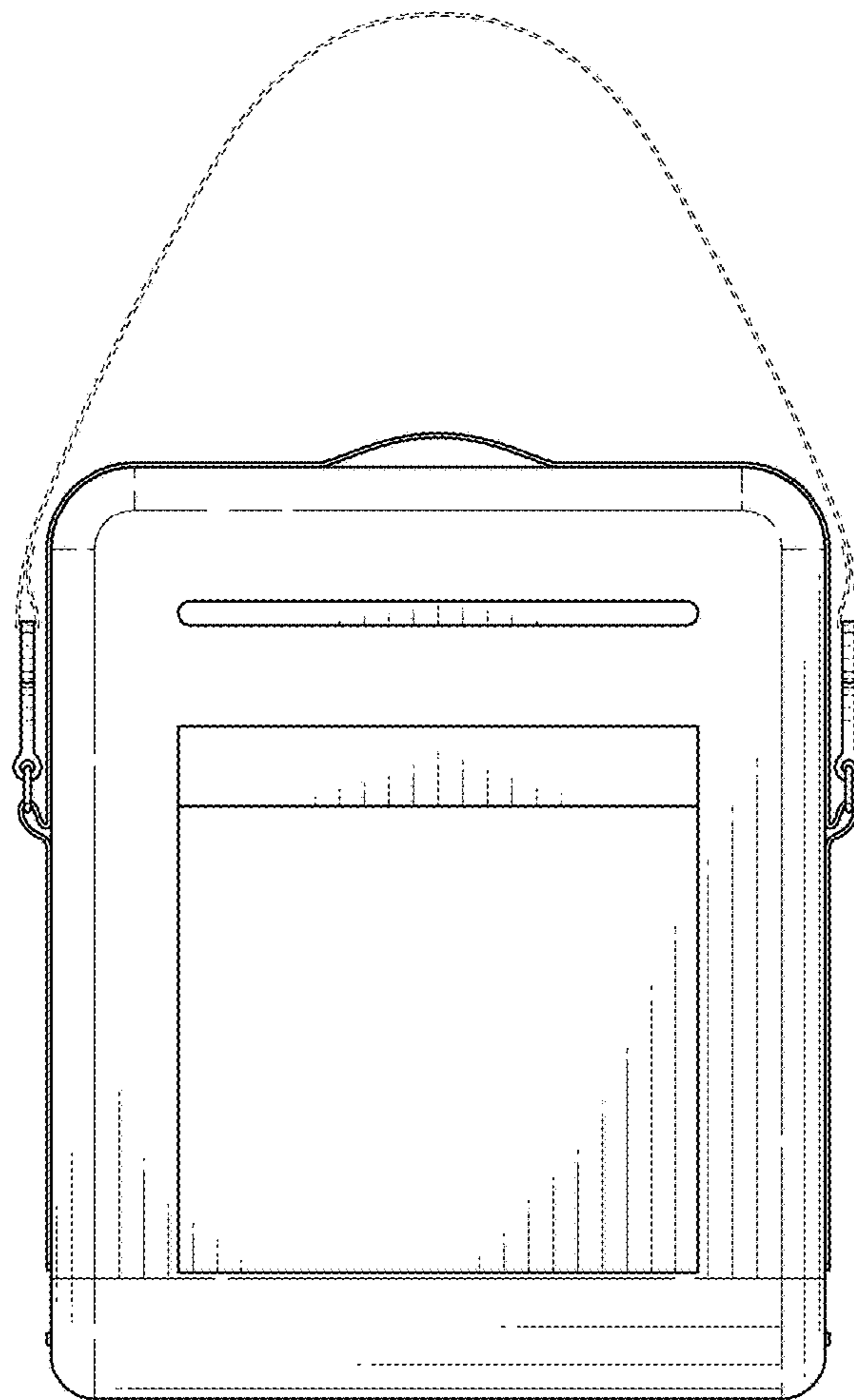


FIG. 12

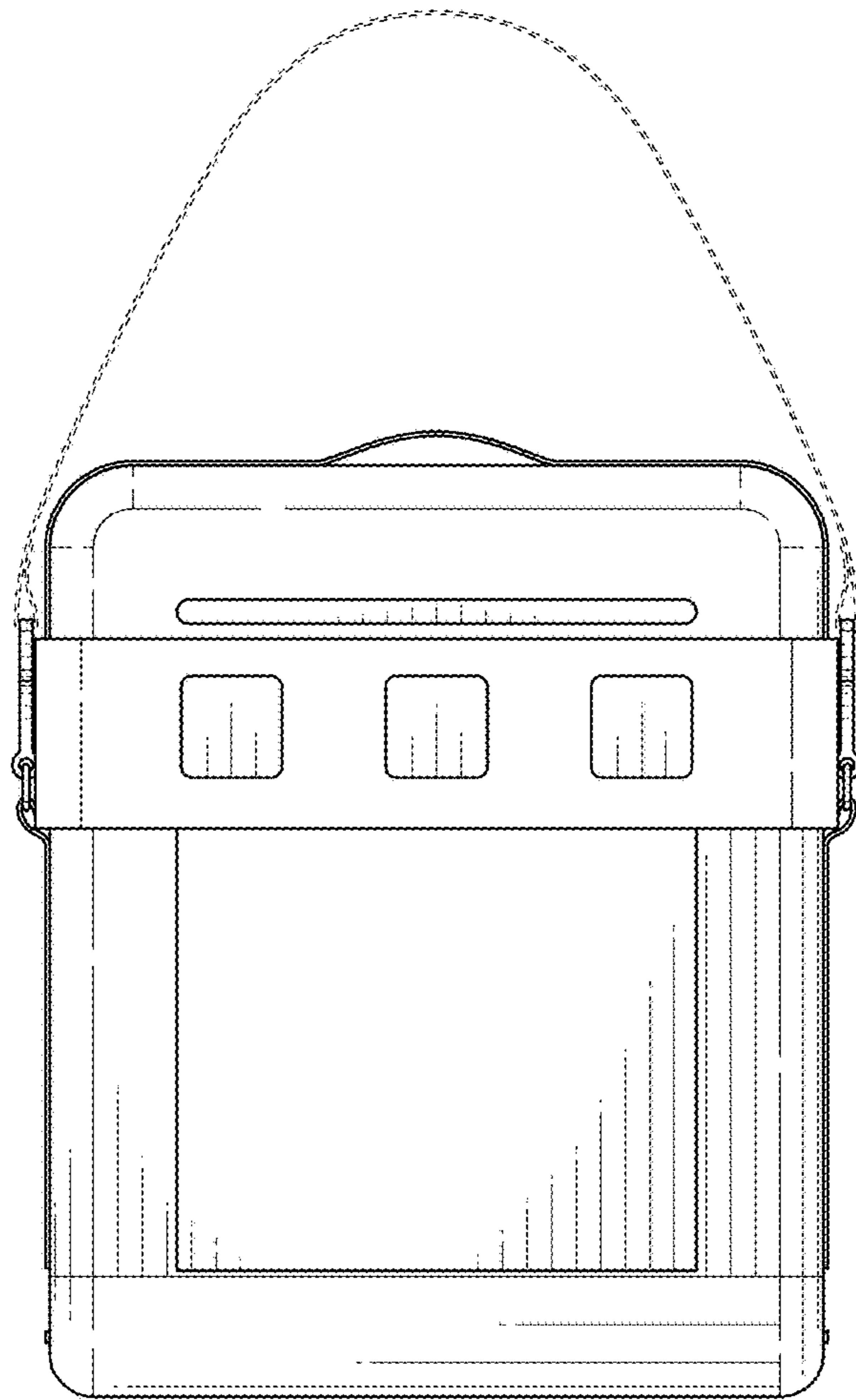


FIG. 13

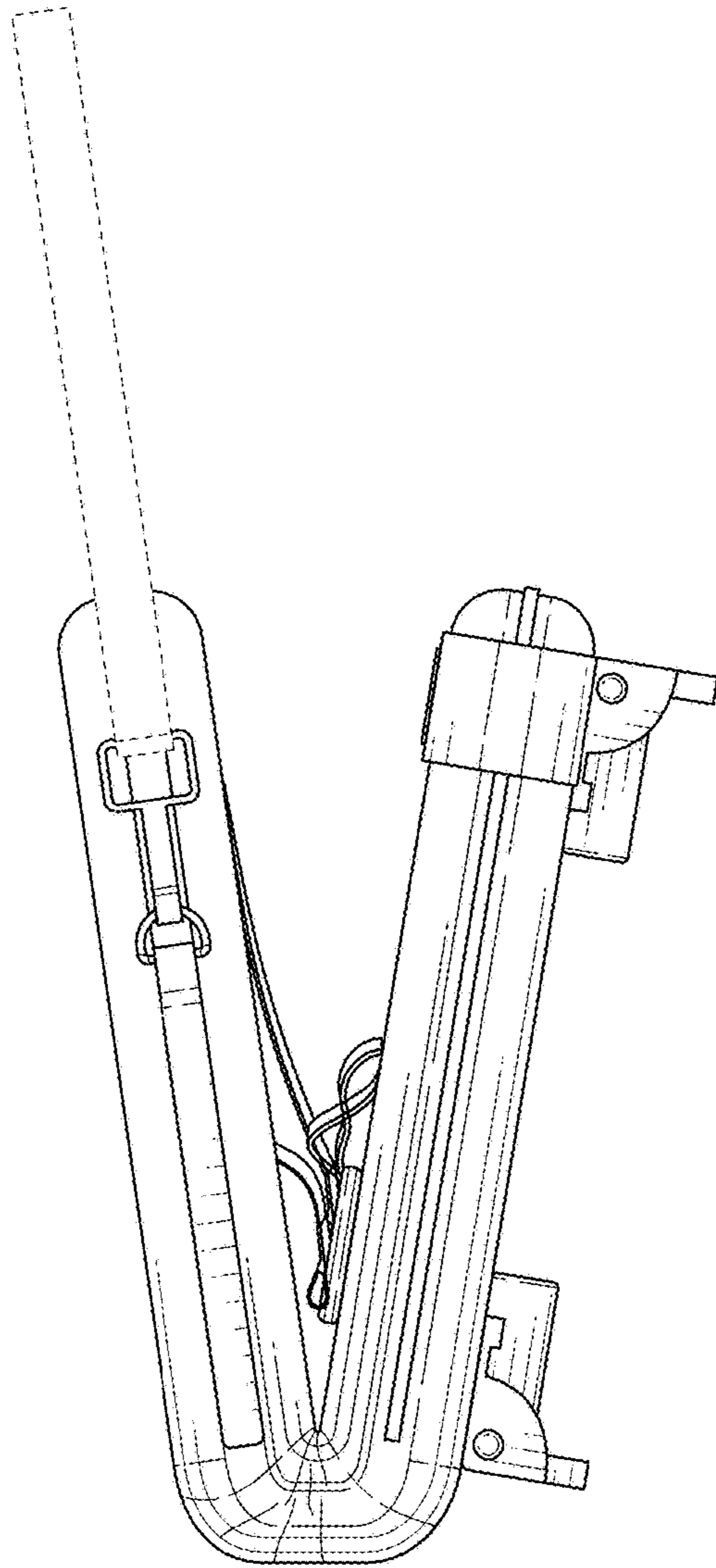


FIG. 14



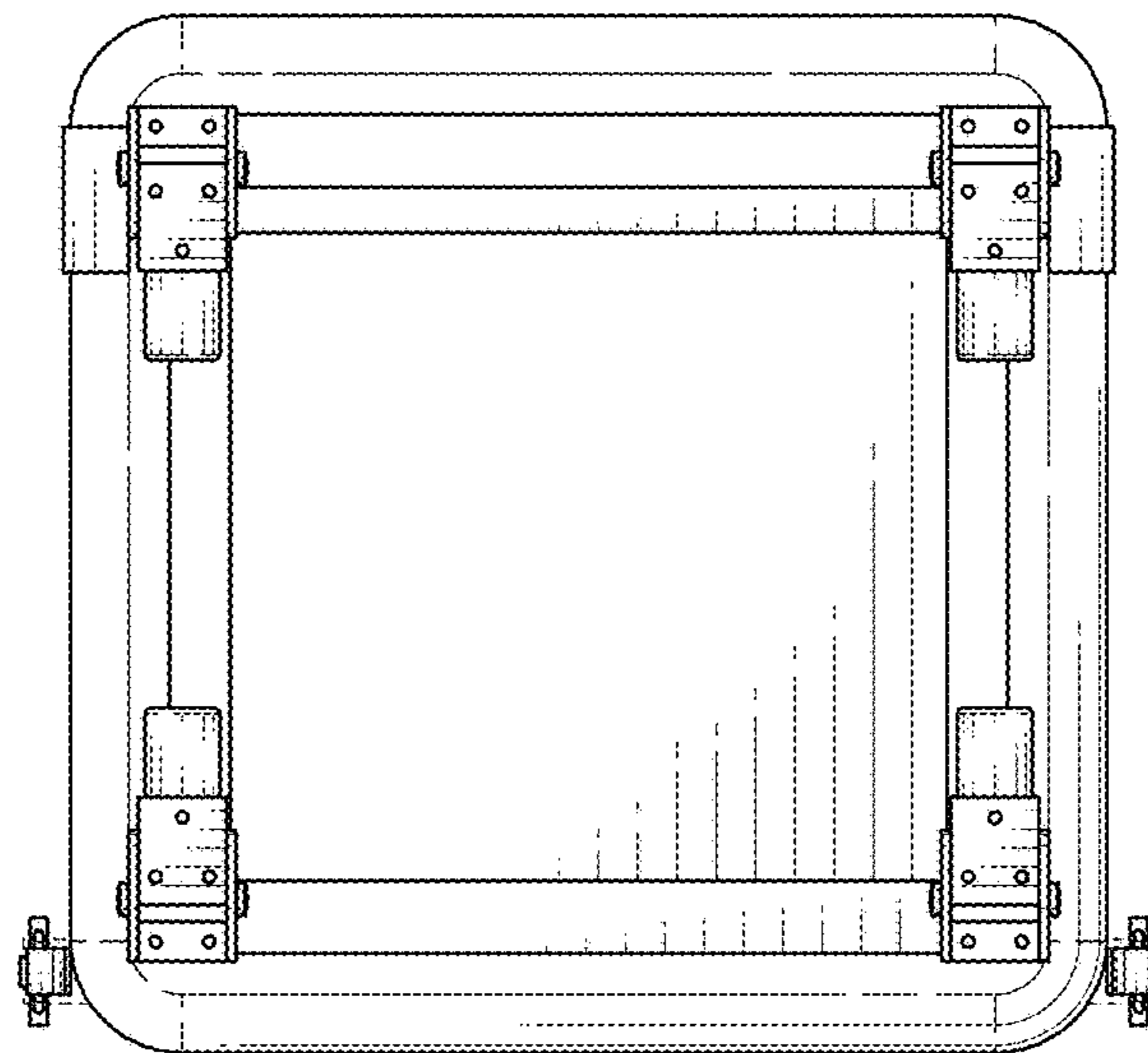


FIG. 15

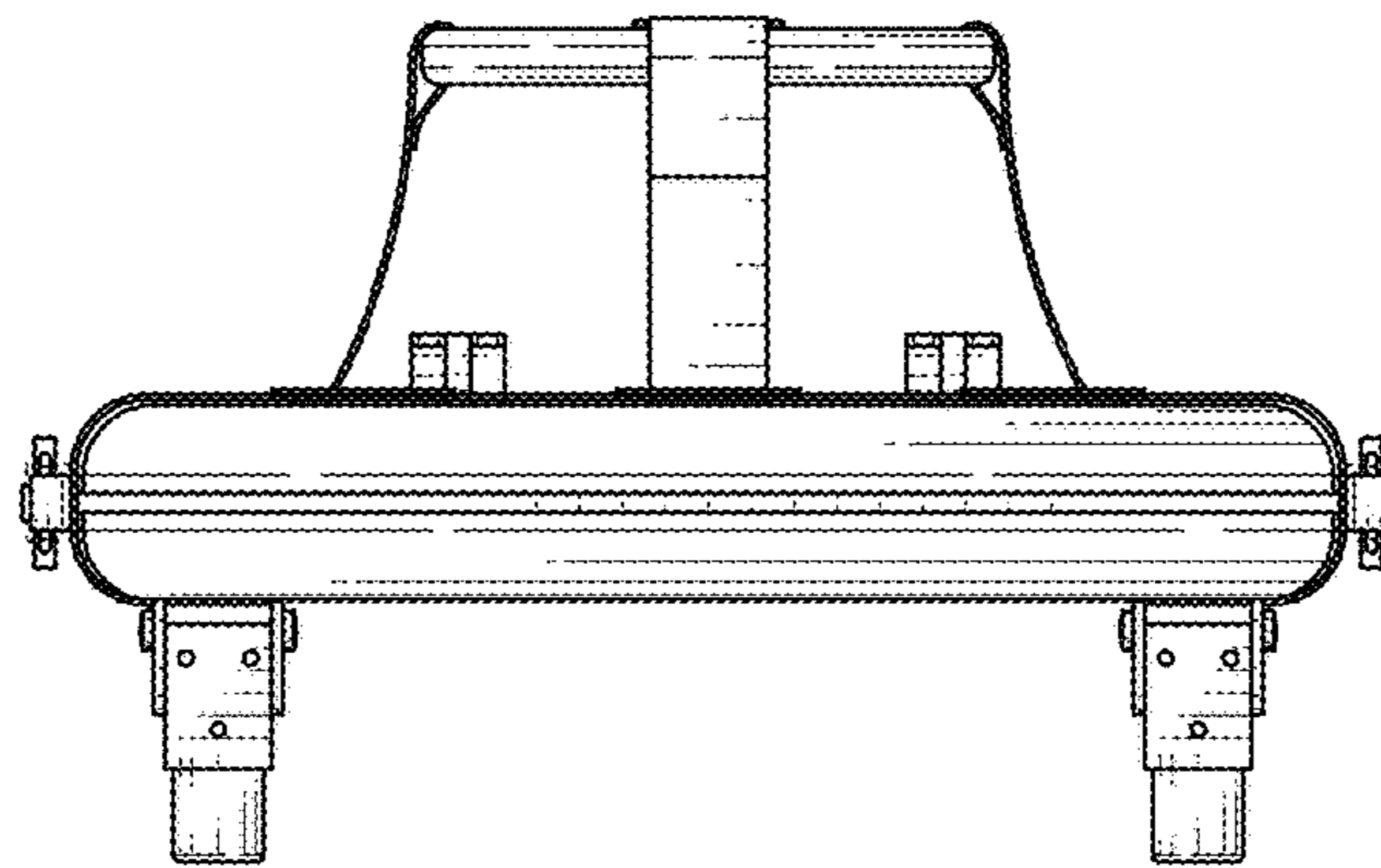


FIG. 16

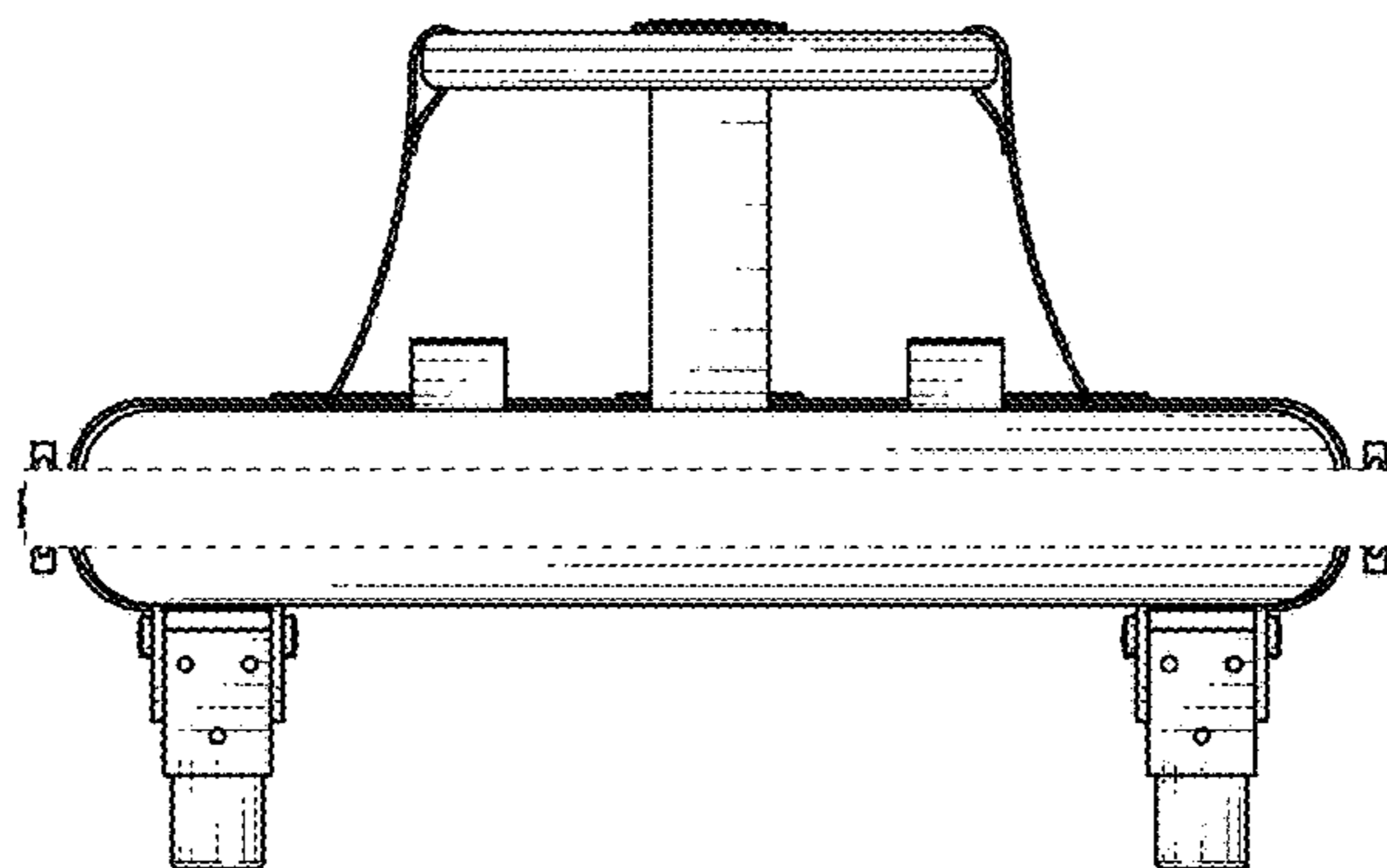


FIG. 17

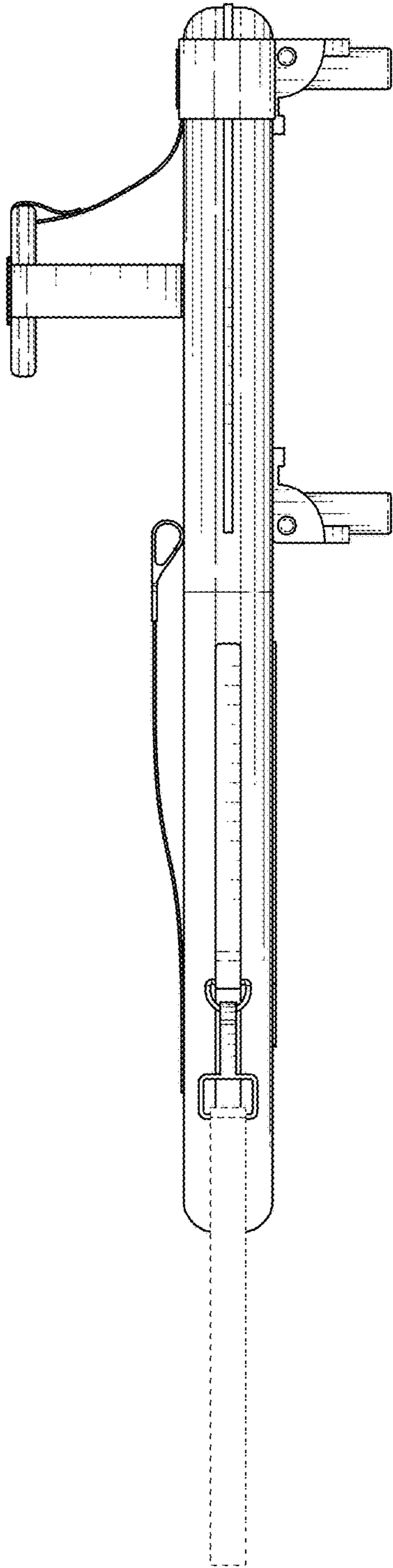


FIG. 18

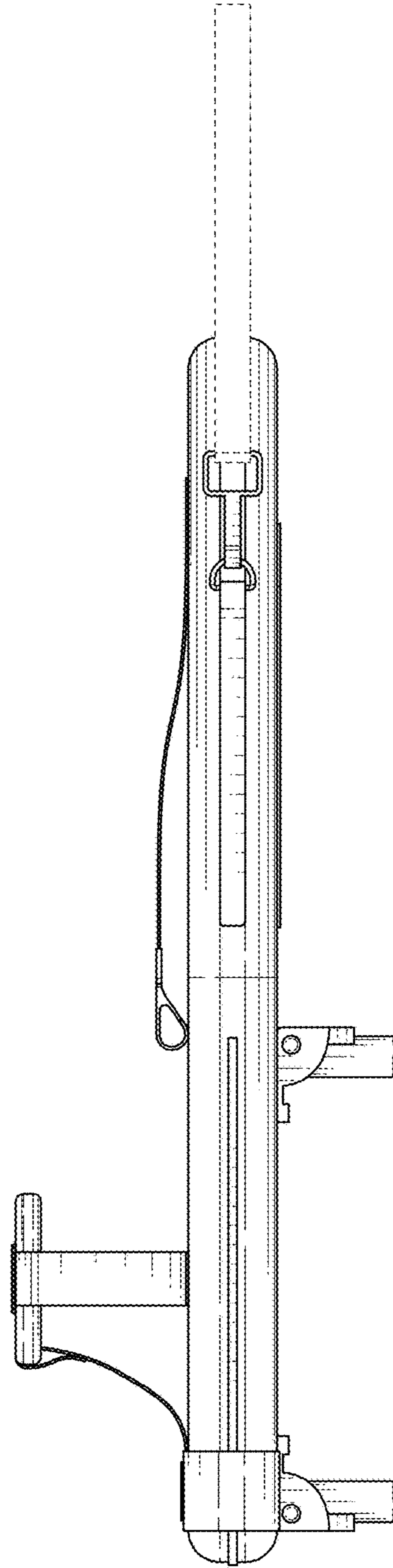


FIG. 19

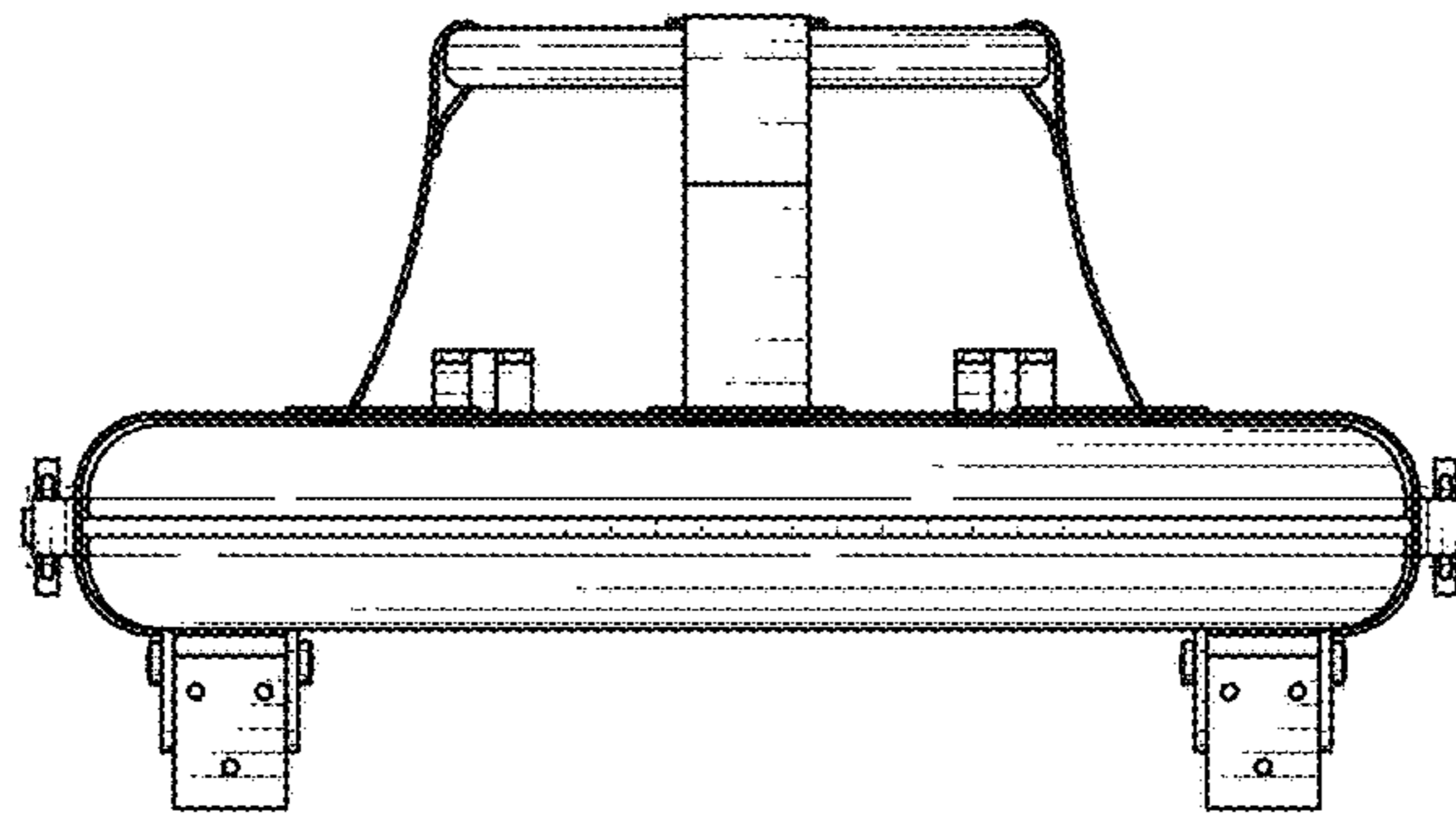


FIG. 20

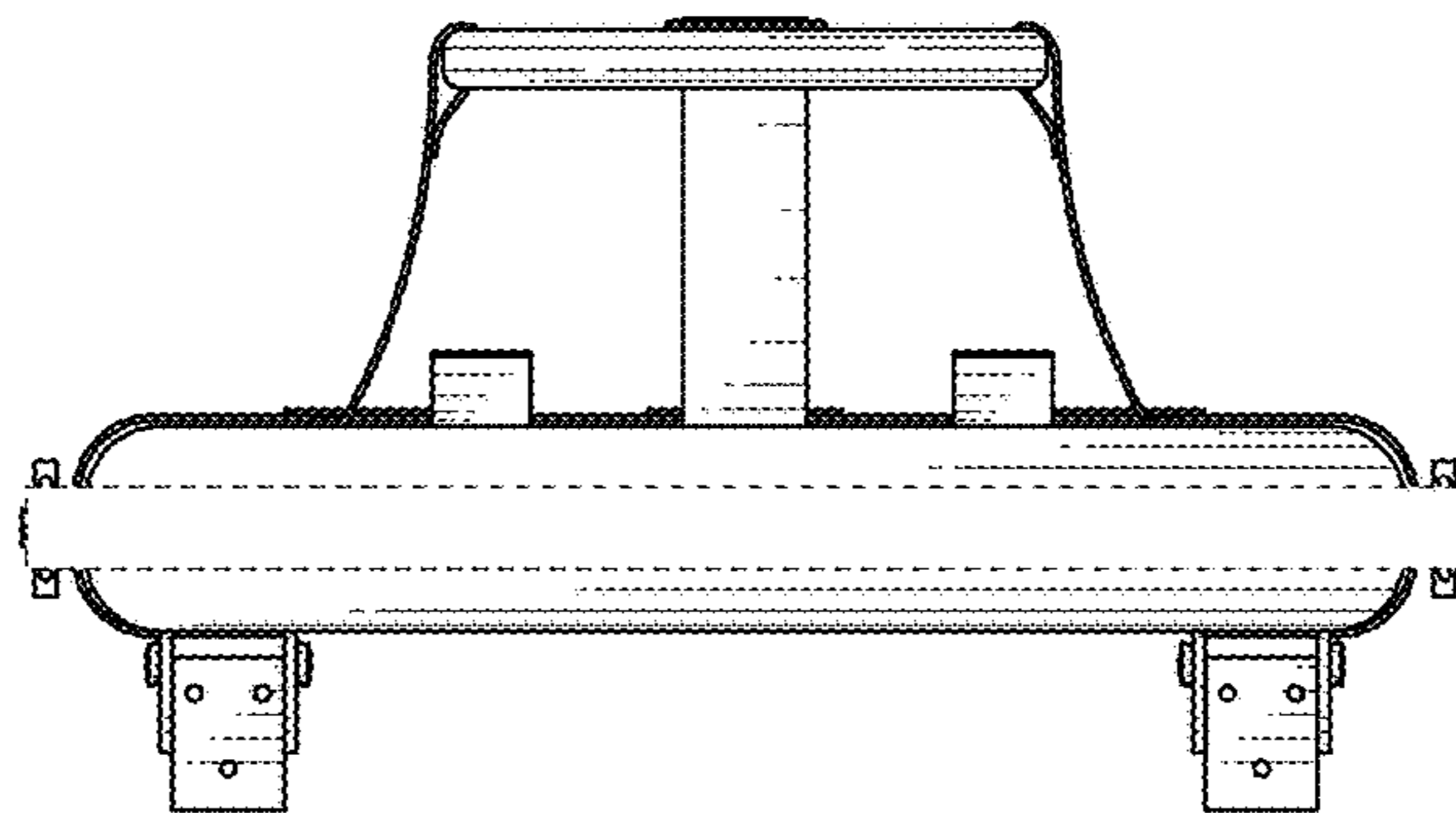


FIG. 21

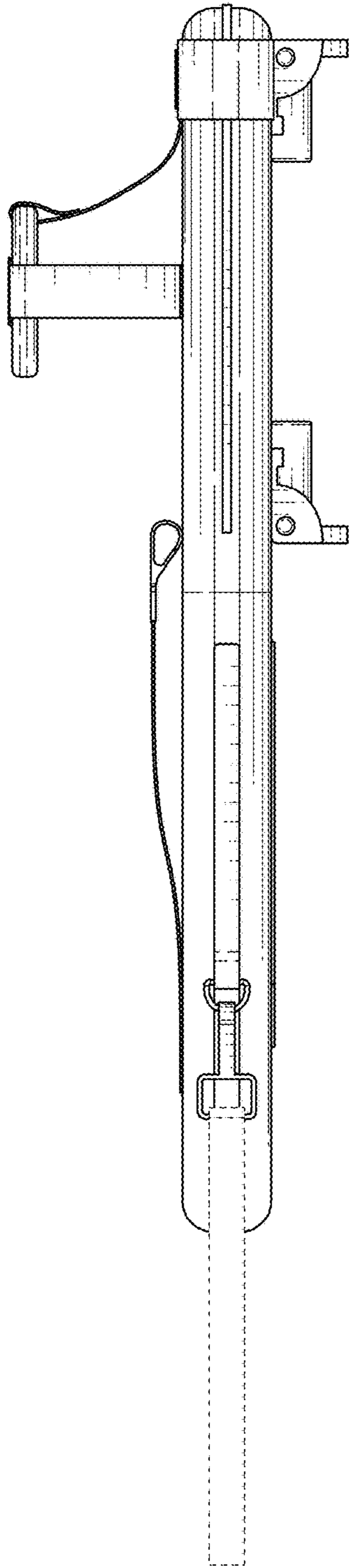


FIG. 22

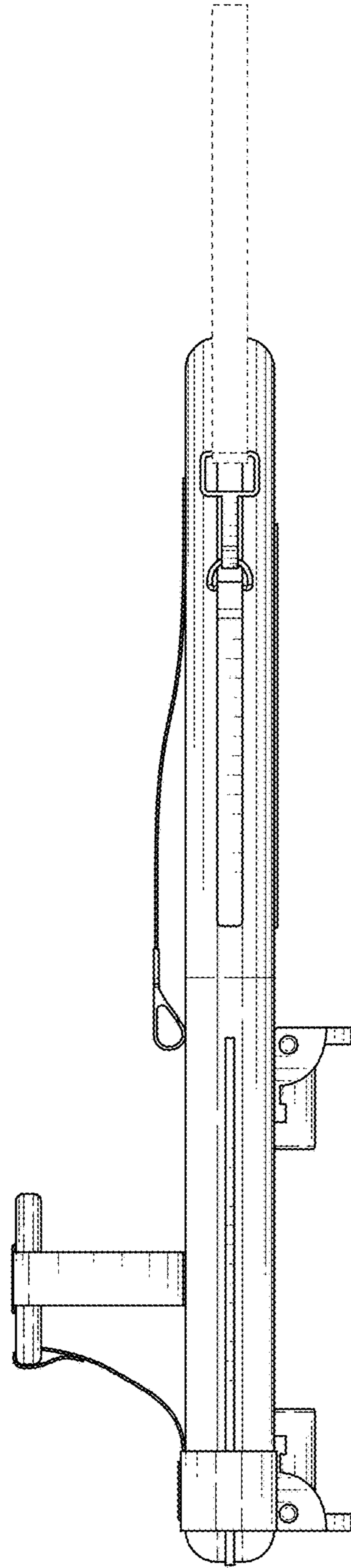


FIG. 23