



US00D841339S

(12) **United States Design Patent**
Rosenzweig

(10) **Patent No.:** **US D841,339 S**
(45) **Date of Patent:** **** Feb. 26, 2019**

- (54) **BRUSH**
- (71) Applicant: **J & D Brush Co., LLC**, Hauppauge, NY (US)
- (72) Inventor: **Jeffrey S. Rosenzweig**, Hauppauge, NY (US)
- (73) Assignee: **J & D BRUSH CO., LLC**, Hauppauge, NY (US)
- (**) Term: **15 Years**
- (21) Appl. No.: **29/629,323**
- (22) Filed: **Dec. 12, 2017**
- (51) **LOC (11) Cl.** **04-02**
- (52) **U.S. Cl.**
USPC **D4/134**
- (58) **Field of Classification Search**
USPC D4/114, 115, 116, 117, 121, 122, 123, D4/127, 128, 129, 130, 131, 132, 133, D4/135, 136, 137, 138, 199; D24/211, D24/214, 215; D30/158, 159; D32/61
CPC A46B 5/02; A46B 9/023; A46B 2200/104; A46B 9/028; A46D 1/0253; A46D 1/0284; A46D 1/0238; A45D 44/18
See application file for complete search history.

- 6,044,514 A * 4/2000 Kaneda A46B 3/16 15/110
 - 6,088,869 A * 7/2000 Kaneda A46B 3/16 15/110
 - D749,326 S * 2/2016 Renette D4/121
 - D750,896 S * 3/2016 Park D4/136
 - D761,026 S * 7/2016 Pires D4/136
- (Continued)

FOREIGN PATENT DOCUMENTS

- GB 40015889 * 4/2007
- KR 300876946.0000 * 10/2016
- KR 300883501.000 * 12/2016

OTHER PUBLICATIONS

Flex dry paddle by Wetbrush [on-line]. Retrieved from the Internet Sep. 16, 2018. URL: <https://www.wetbrush.com/flex-dry-paddle-solids.html>. (2 pages) (Year: 2018).*

Primary Examiner — Karen E Eldridge Powers
(74) *Attorney, Agent, or Firm* — Gloria Tsui-Yip, Esq.; Gottlieb, Rackman & Reisman, P.C.

(57) **CLAIM**

The ornamental design for a brush, as shown and described.

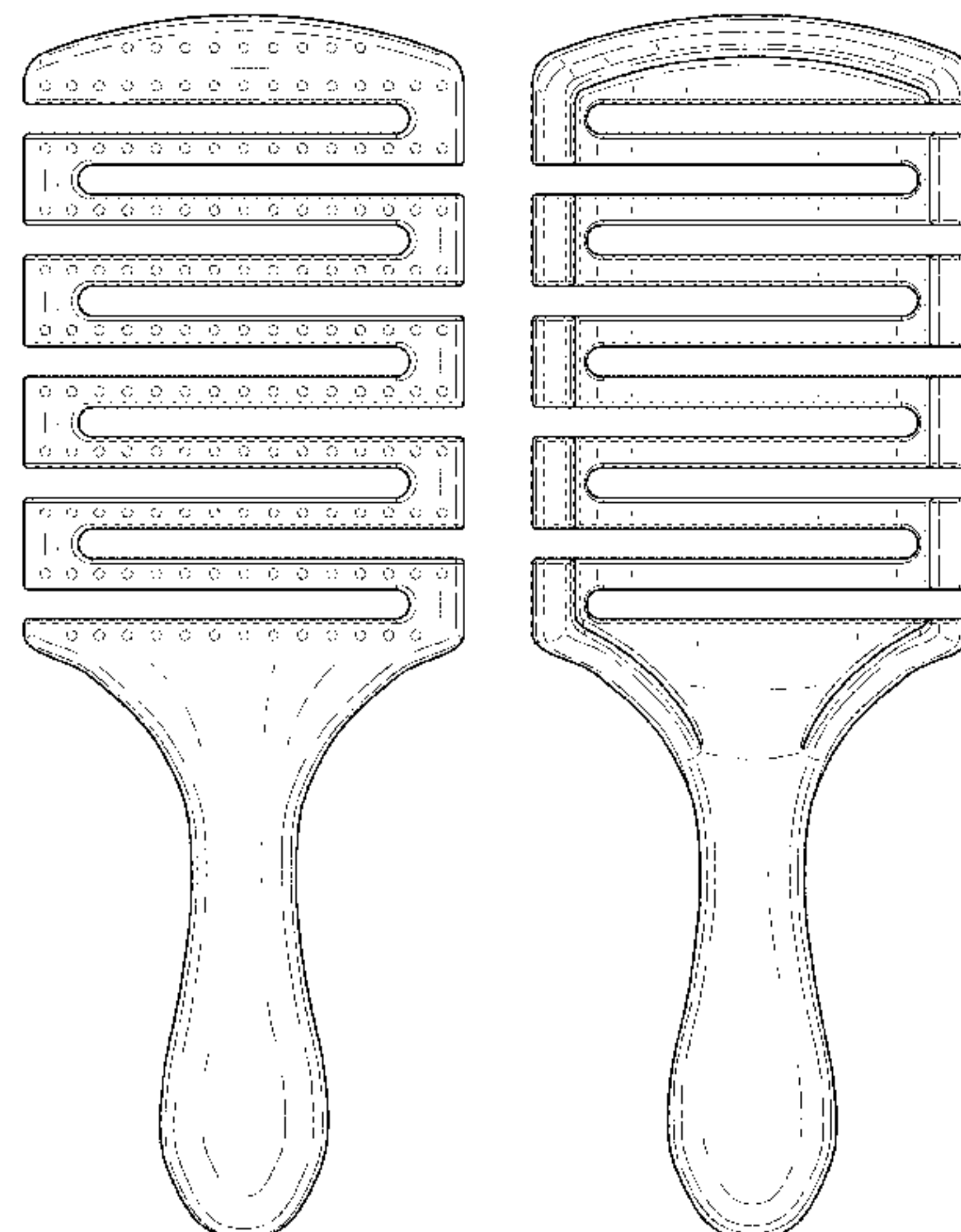
DESCRIPTION

FIG. 1 is a front elevational view of my new design; FIG. 2 is a rear elevational view thereof; FIG. 3 is a left side view thereof; FIG. 4 is a left side elevation view thereof. FIG. 5 is a right side elevation view thereof. FIG. 6 is a bottom plan view thereof; FIG. 7A is a perspective view thereof; FIG. 7B is an enlarged view of circle A in FIG. 7A; and, FIG. 8 is another perspective view thereof. The broken-line showing of brush tips in the figures illustrates environmental structure that forms no part of the claimed design.

1 Claim, 5 Drawing Sheets

(56) **References Cited**
U.S. PATENT DOCUMENTS

- 692,387 A * 2/1902 Uhlmann A46B 15/00 15/202
- 2,238,603 A * 4/1941 Runnels A45D 24/16 119/612
- 4,030,158 A * 6/1977 Blair A46B 5/00 132/219
- D249,909 S * 10/1978 Epstein D4/136
- 4,121,314 A * 10/1978 Nathe A46B 7/026 132/129
- D334,844 S * 4/1993 Lunderman D4/138



(56)

References Cited

U.S. PATENT DOCUMENTS

D764,808 S * 8/2016 Rosenzweig D4/132
D782,829 S * 4/2017 Park D4/138
D798,607 S * 10/2017 Park D4/138
D815,839 S * 4/2018 Rosenzweig D4/136
D828,040 S * 9/2018 Rosenzweig D4/138
2015/0342334 A1* 12/2015 Hickey A46B 9/023
15/160
2018/0242724 A1* 8/2018 Ng A46B 7/06

* cited by examiner

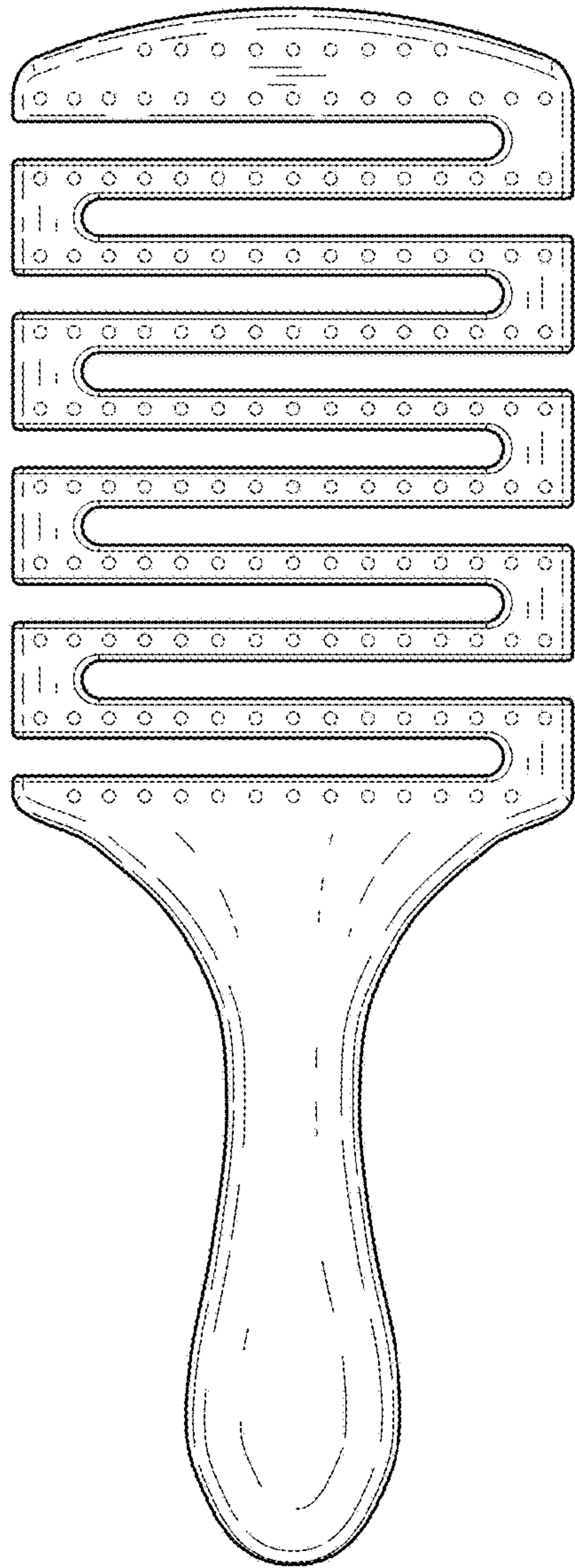


FIG.1

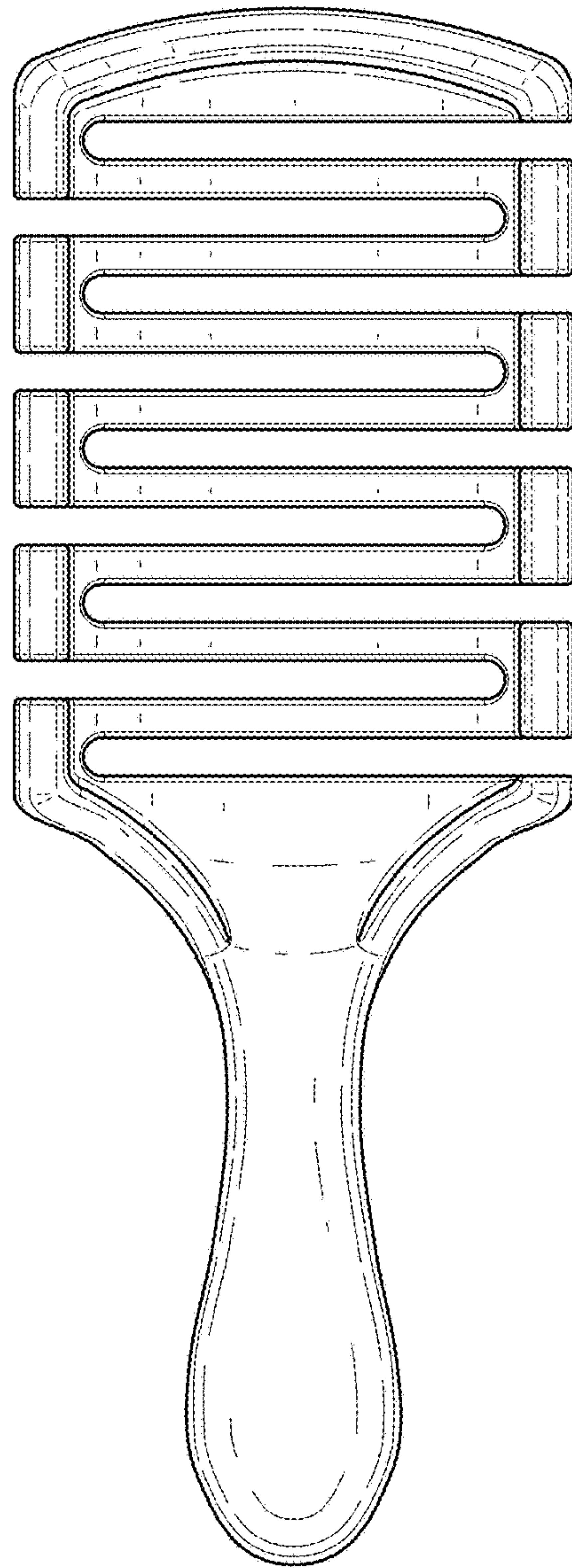


FIG.2

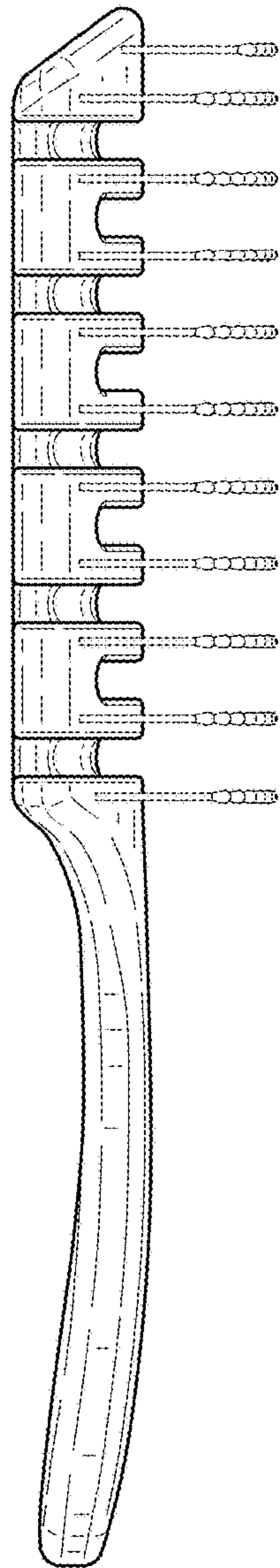


FIG.3

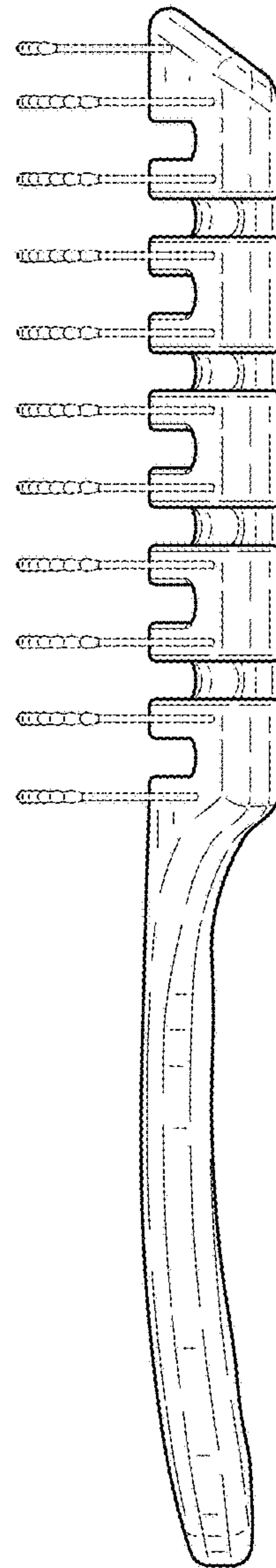


FIG.4

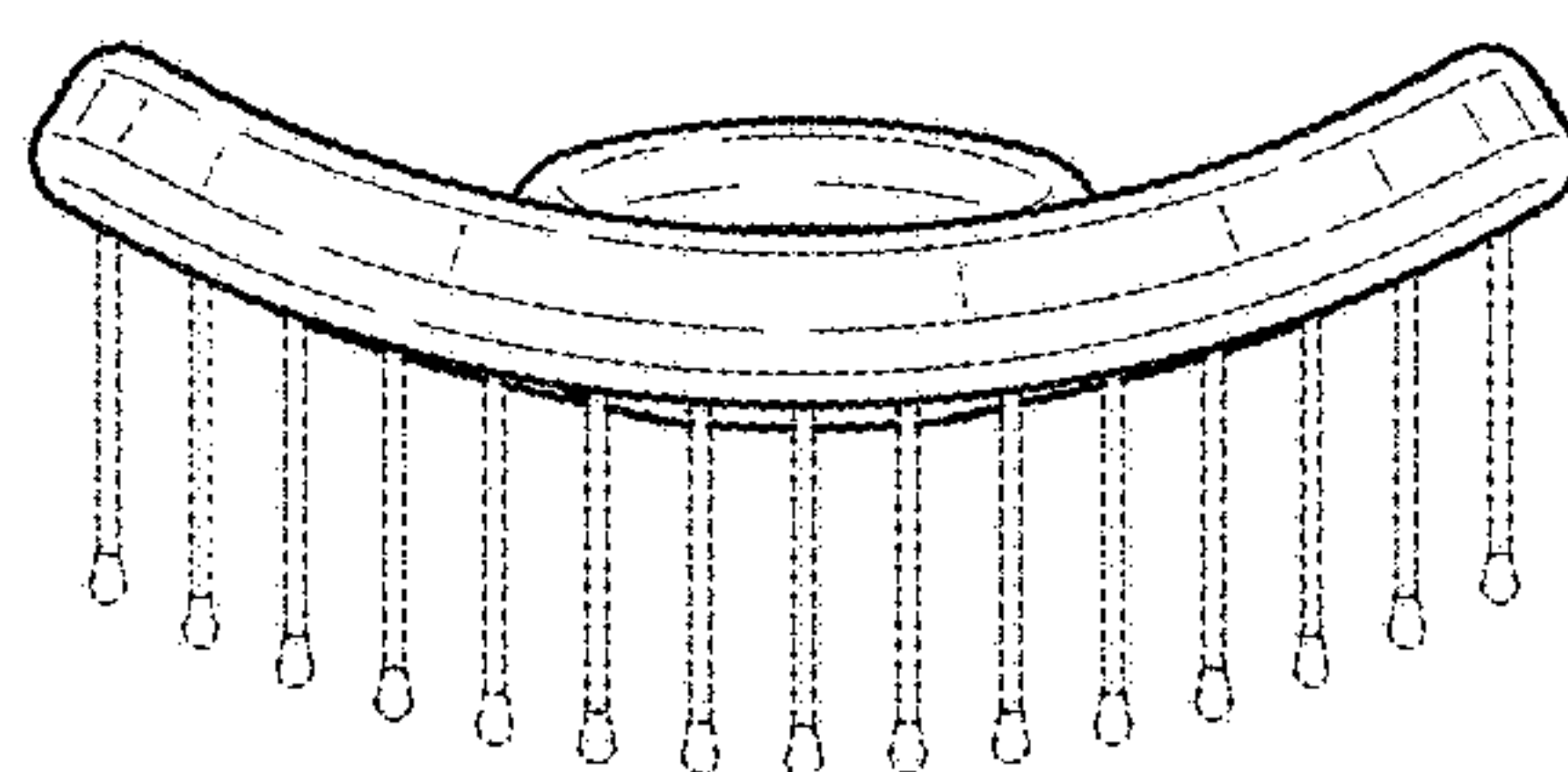


FIG.5

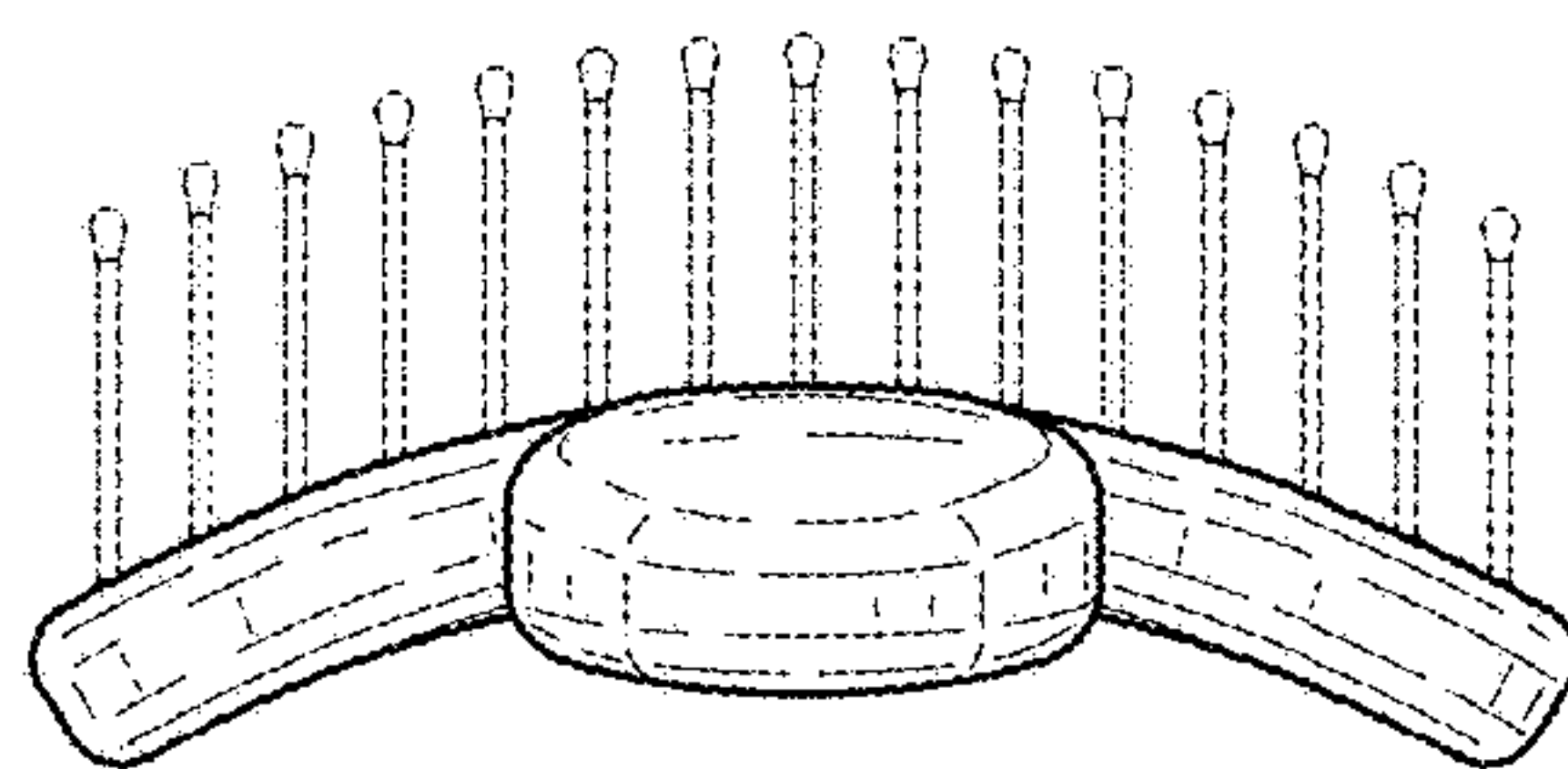


FIG.6

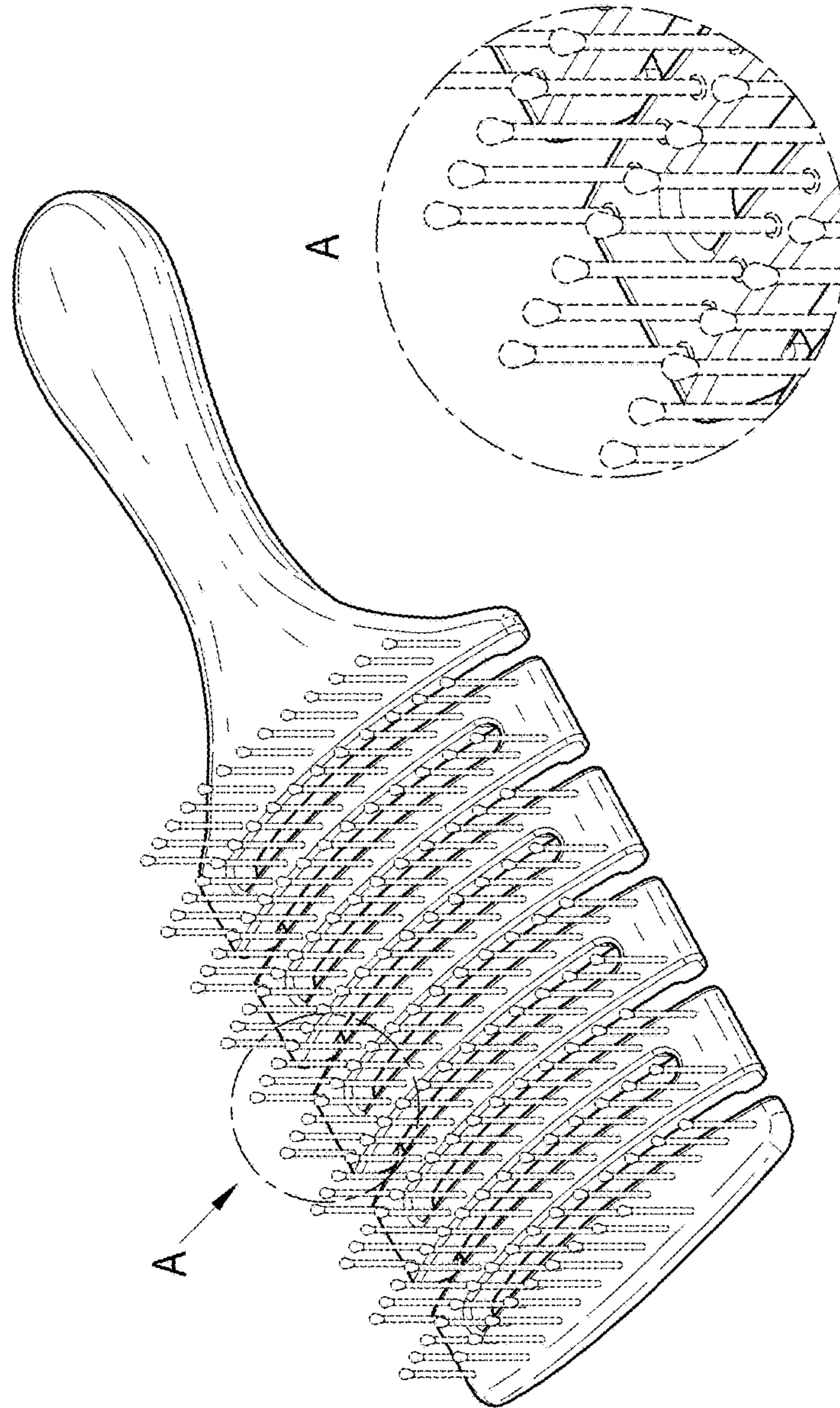


FIG.7B

FIG.7A

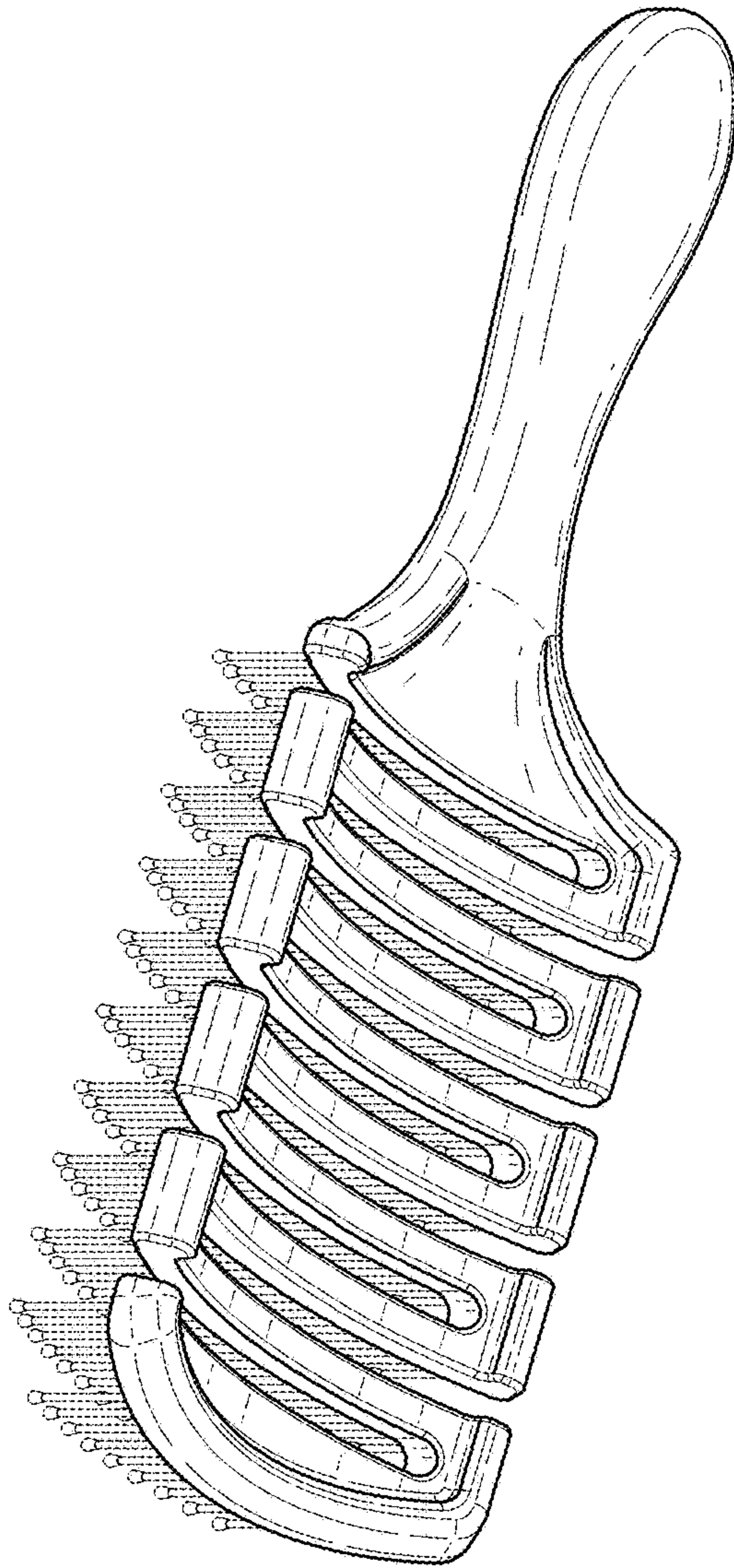


FIG.8