



US00D841338S

(12) **United States Design Patent** (10) **Patent No.:** **US D841,338 S**
Lin (45) **Date of Patent:** **** Feb. 26, 2019**

(54) **MAKEUP BRUSH WITH FLOWER-SHAPED BRUSH HEAD**

(71) Applicant: **BEAUTY YAURIENT COSMETICS ACCESSORIES(SHENZHEN) CO., LTD.**, Shenzhen (CN)

(72) Inventor: **Yuju Lin**, Shenzhen (CN)

(73) Assignee: **BEAUTY YAURIENT COSMETICS ACCESSORIES(SHENZHEN) CO., LTD.**, Shenzhen (CN)

(**) Term: **15 Years**

(21) Appl. No.: **29/631,632**

(22) Filed: **Dec. 31, 2017**

(51) **LOC (11) Cl.** **04-02**

(52) **U.S. Cl.**
USPC **D4/124**

(58) **Field of Classification Search**
USPC D4/130, 132, 133, 134, 135, 138, 199, D4/124; D28/7; D9/451
CPC A46B 5/02; A46B 7/00; A46B 7/04; A46B 9/02; A46B 9/021; A46B 2200/1046
See application file for complete search history.

(56) **References Cited**

U.S. PATENT DOCUMENTS

D45,985 S *	6/1914	Branning	D11/117
D75,501 S *	6/1928	Leyne	D28/7
D103,122 S *	2/1937	Mogi	D7/594
D124,061 S *	12/1940	Derham	D9/451
D128,934 S *	8/1941	Derham et al.	D9/451
D141,003 S *	4/1945	Derham	D9/451
D142,547 S *	10/1945	Derham	D9/451
D146,497 S *	3/1947	Derham	D9/451
D164,566 S *	9/1951	Friedman	D9/663
D338,157 S *	8/1993	Desgrippes	D9/435
D353,773 S *	12/1994	Desgrippes	D9/451
D362,798 S *	10/1995	Porgesz	D11/117
D379,430 S *	5/1997	Siripreedabhakd	D11/117

(Continued)

FOREIGN PATENT DOCUMENTS

JP	D1494414	*	4/2014
JP	D1494580	*	4/2014

OTHER PUBLICATIONS

Uyeda Bisyodo Rose Shaped Power/Blush Brush [on-line]. Published Mar. 8, 2017; retrieved from the Internet Aug. 20, 2018. URL: <http://www.cdjapan.co.jp/feature/uyeda_rose>. (11 pages) (Year: 2017).*

Primary Examiner — Karen E Eldridge Powers
(74) *Attorney, Agent, or Firm* — Wayne & Ken, LLC; Tony Hom

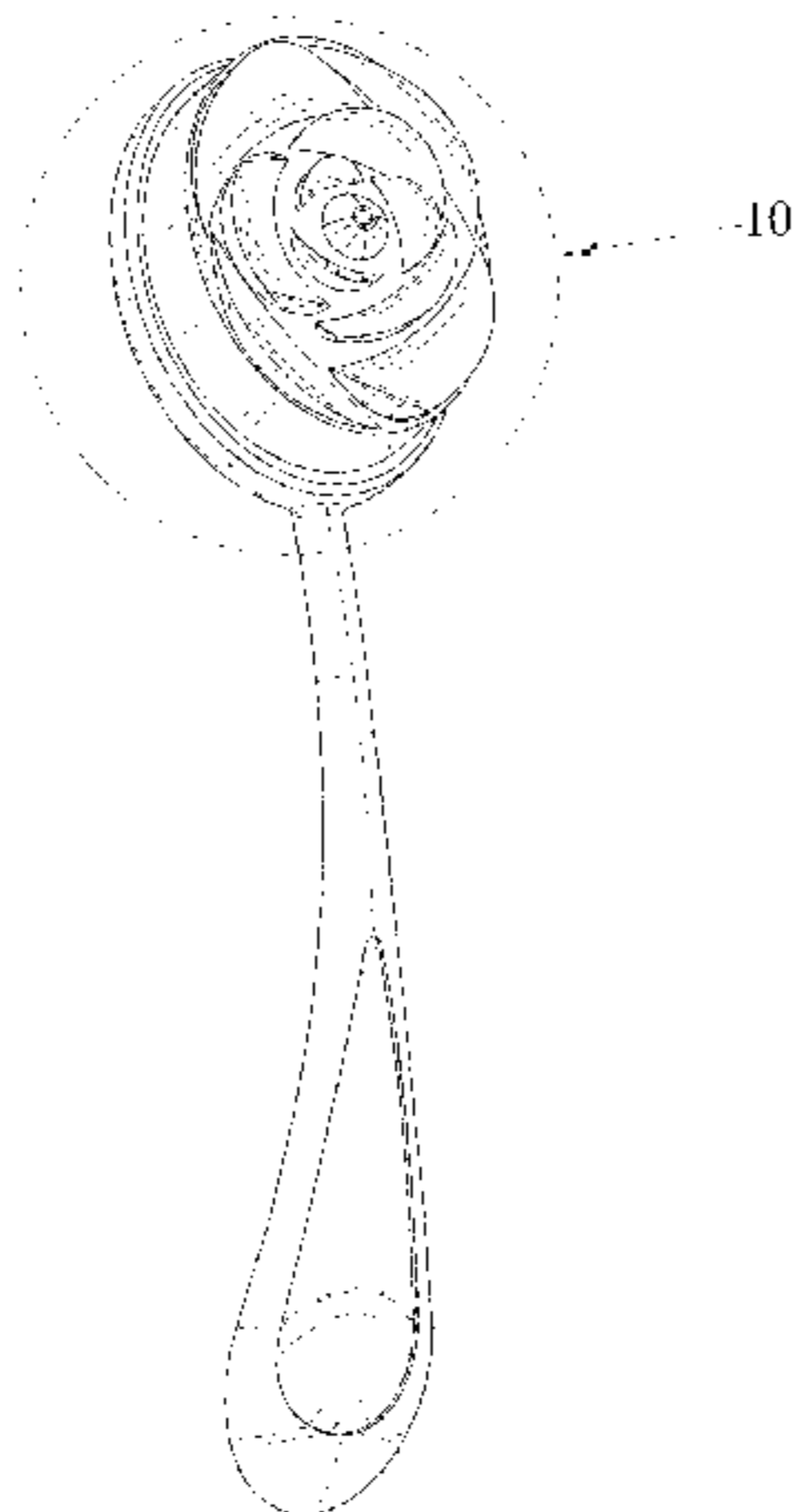
(57) **CLAIM**

The ornamental design for a makeup brush with flower-shaped brush head, as shown and described.

DESCRIPTION

FIG. 1 is a front elevation view of a makeup brush with flower-shaped brush head, showing my new design; FIG. 2 is a back elevation view thereof; FIG. 3 is a right side elevation view thereof; FIG. 4 is a left side elevation view thereof; FIG. 5 is a top plan view thereof; FIG. 6 is a bottom plan view thereof; FIG. 7 is a perspective view thereof; FIG. 8 is another perspective view thereof; FIG. 9 is an enlargement view of the portion of FIG. 1 enclosed within Circle 9; and, FIG. 10 is an enlargement view of the portion of FIG. 7 enclosed within Circle 10. The enlargement indicia rendered in broken lines in FIGS. 1 and 7 illustrate the bounds of the enlargement views (FIGS. 9 and 10) and form no part of the claimed design.

1 Claim, 10 Drawing Sheets



(56)

References Cited

U.S. PATENT DOCUMENTS

D380,673 S *	7/1997	Siripreedabhakd	D11/117
D408,593 S *	4/1999	Nakano	D28/87
D438,139 S *	2/2001	Mozena	D11/117
D469,259 S *	1/2003	Vosbikian	D28/63
D473,343 S *	4/2003	Carruba	D24/214
D687,339 S *	8/2013	Rues	D11/117
D792,767 S *	7/2017	Dalton	D9/451

* cited by examiner

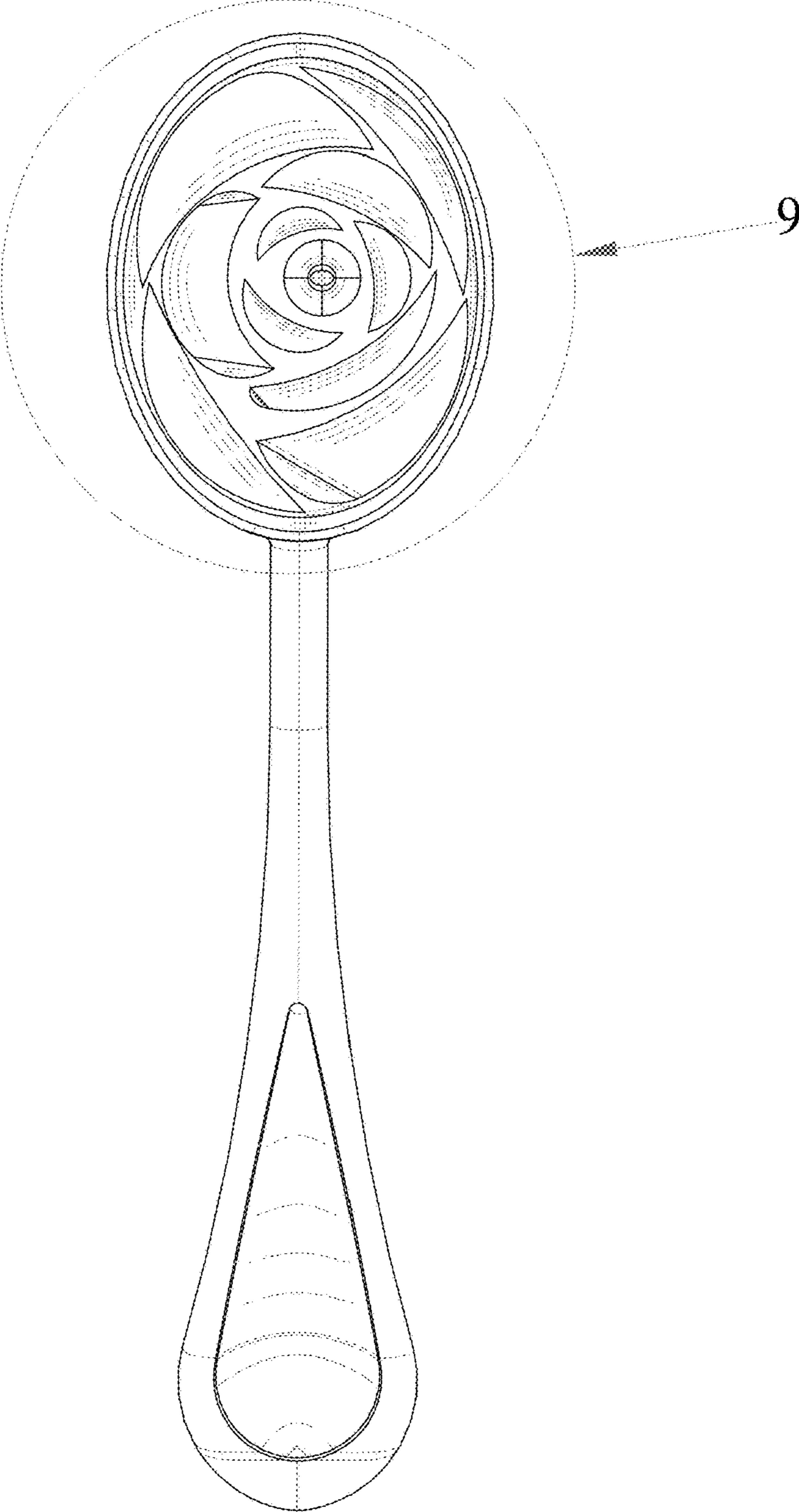


Fig. 1

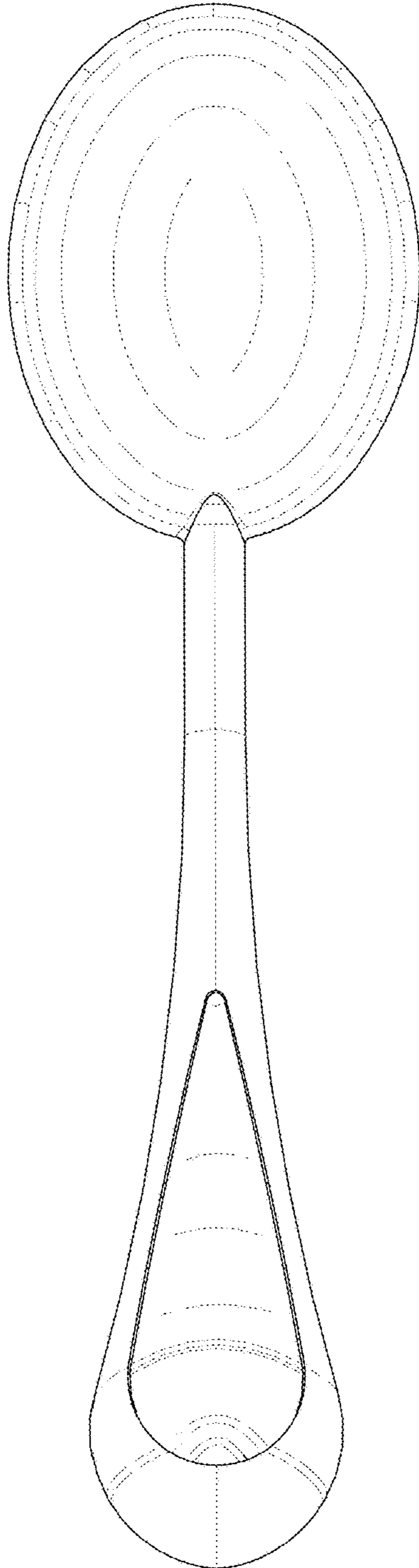


Fig. 2

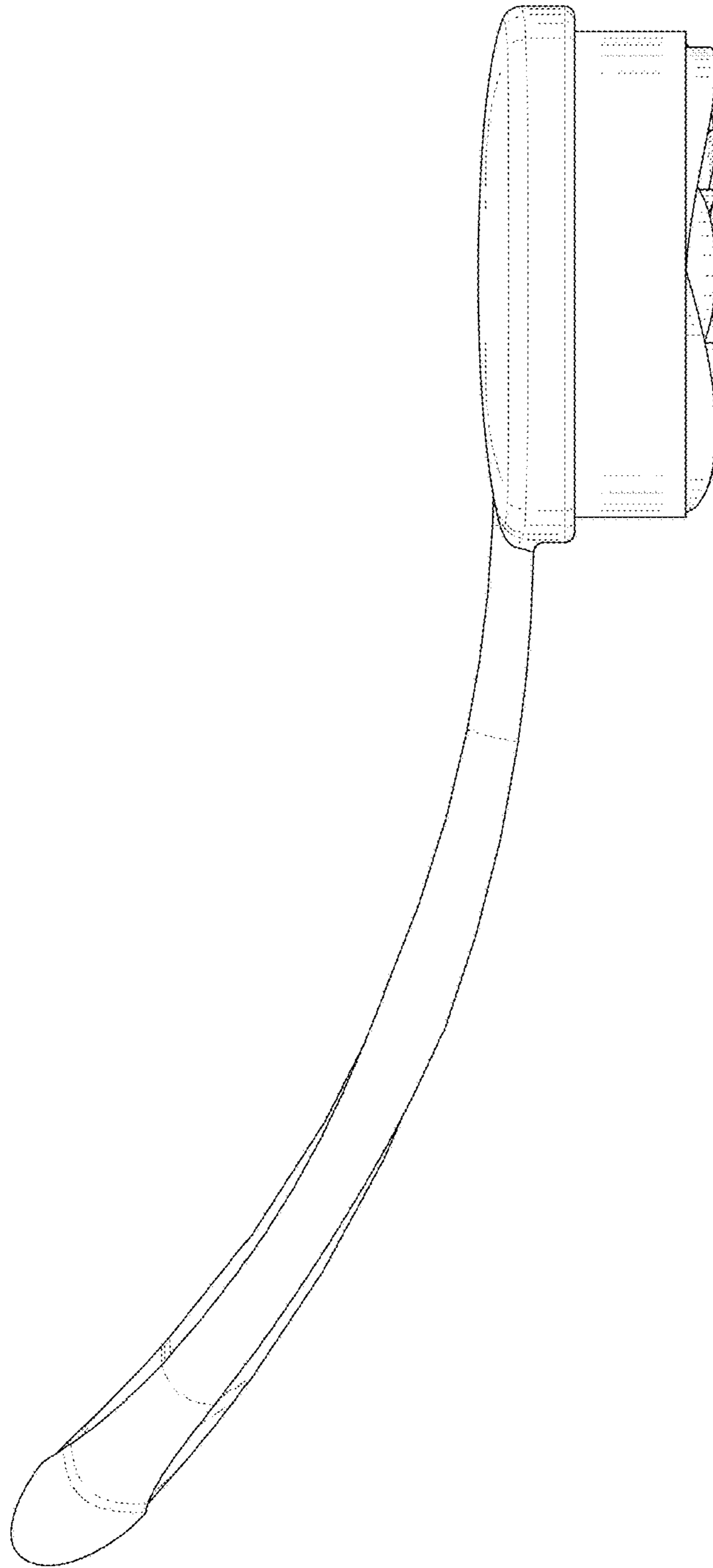


Fig. 3

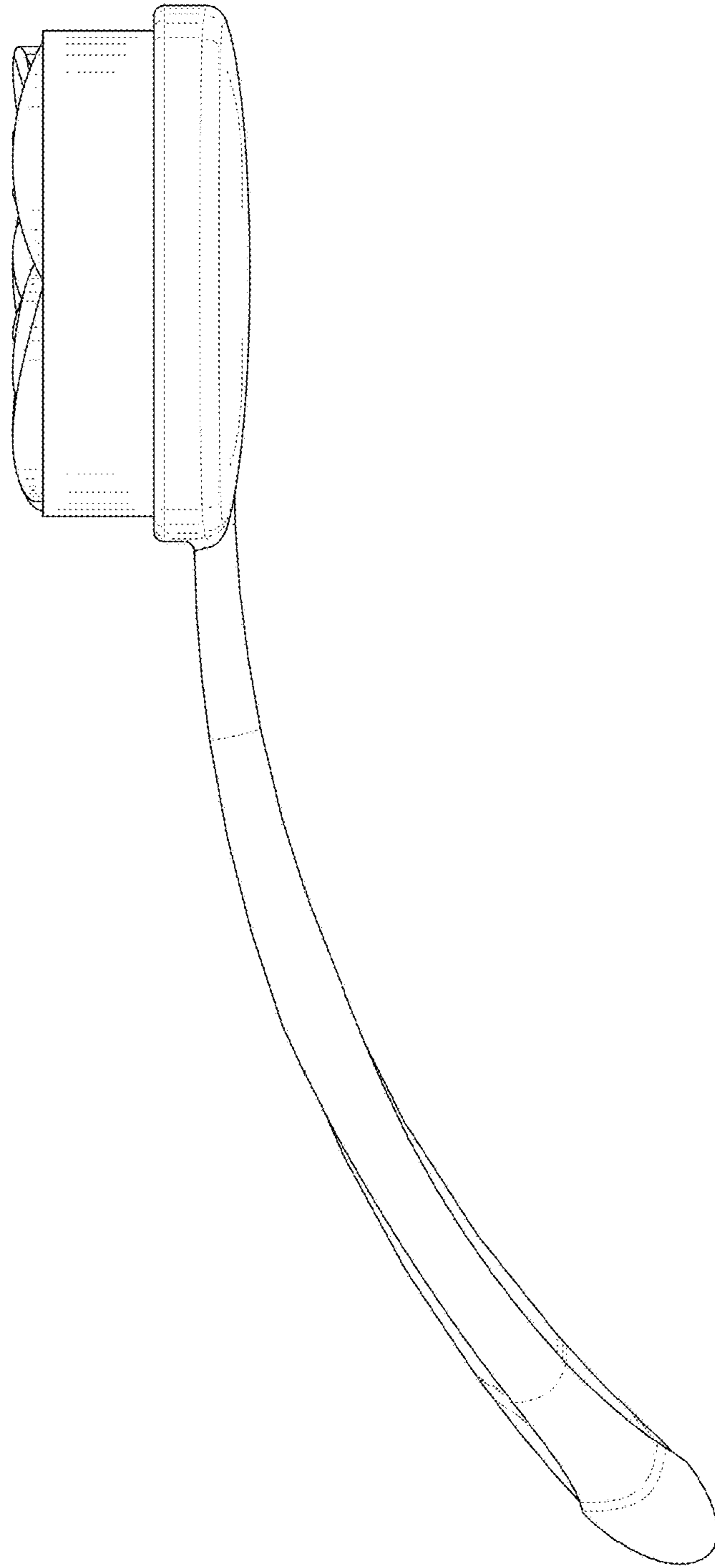


Fig. 4

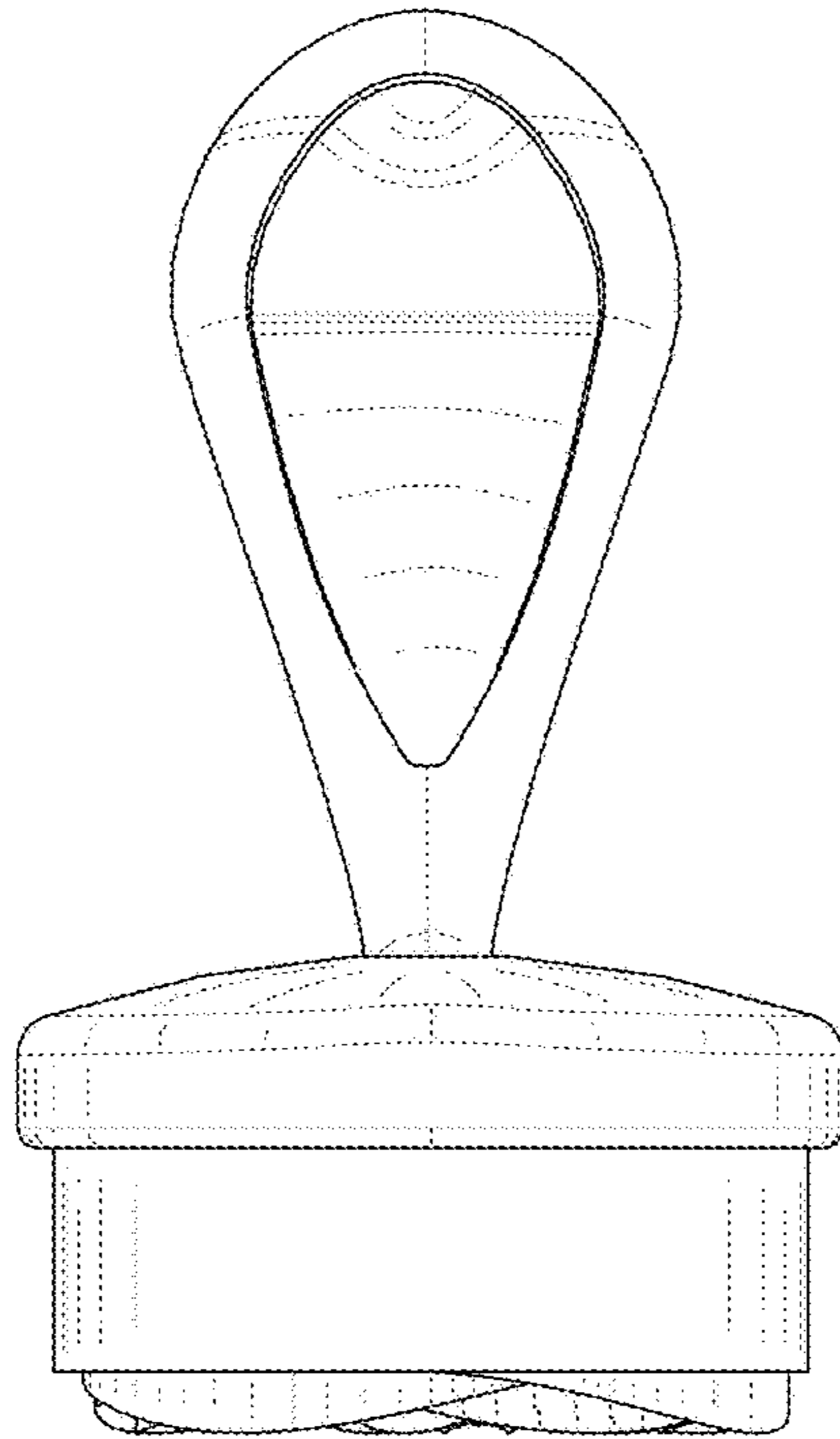


Fig. 5

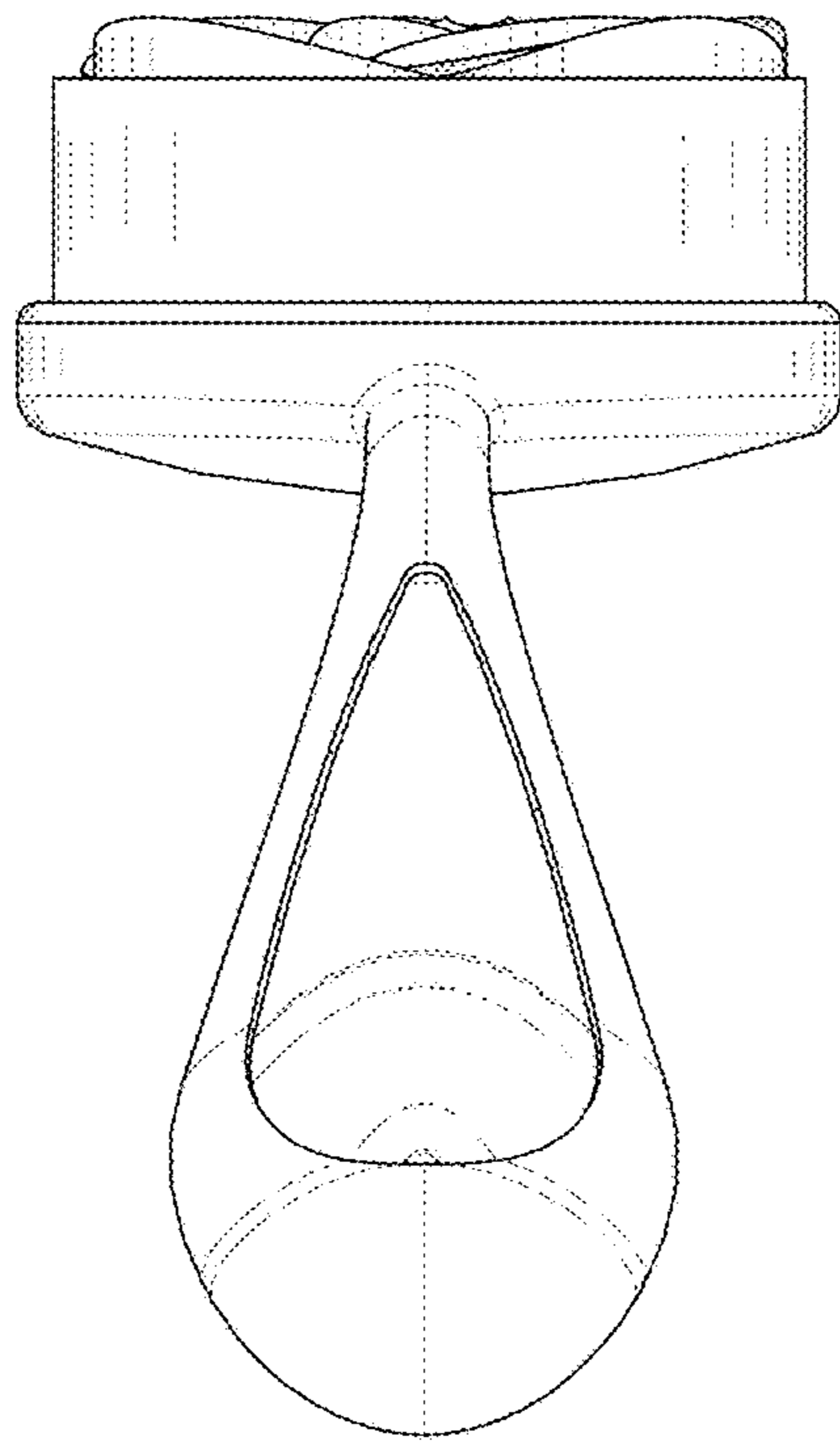


Fig. 6

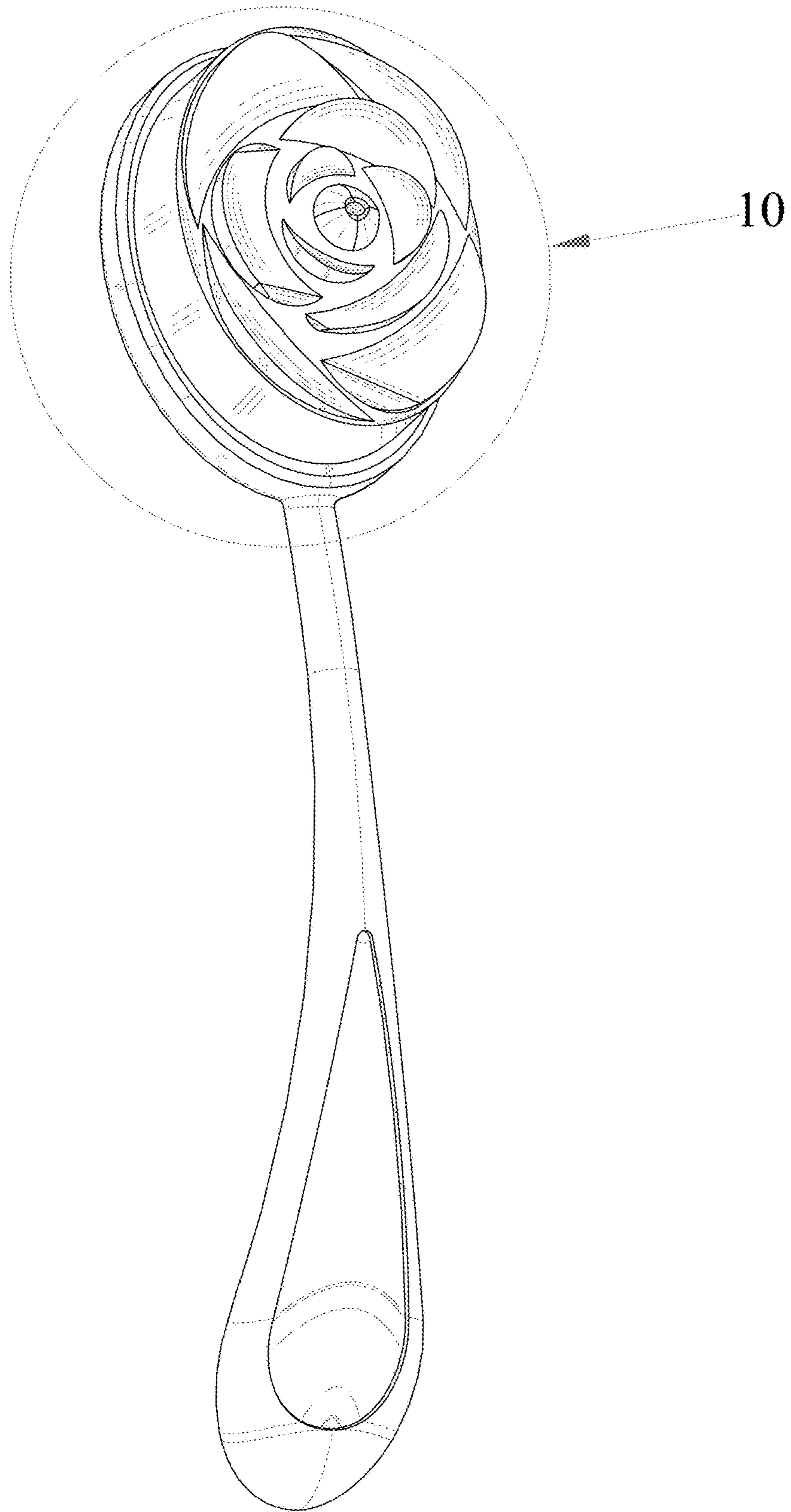


Fig. 7

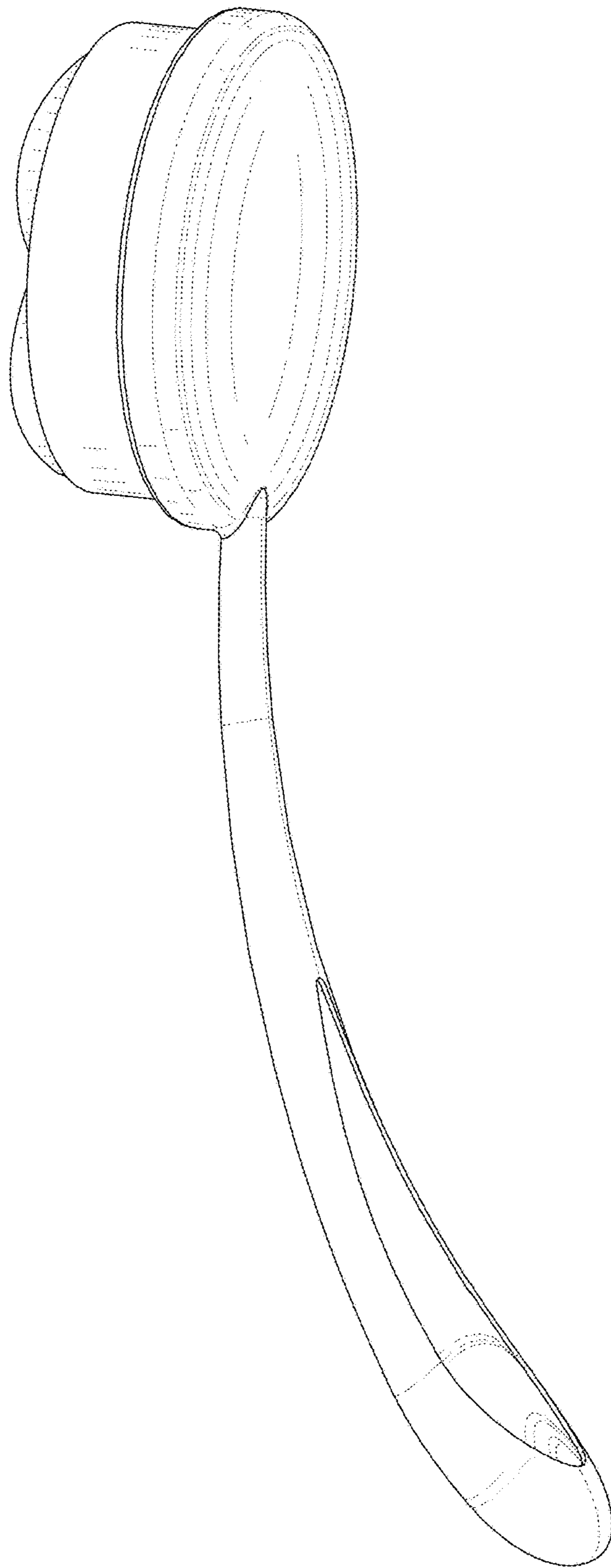


Fig. 8

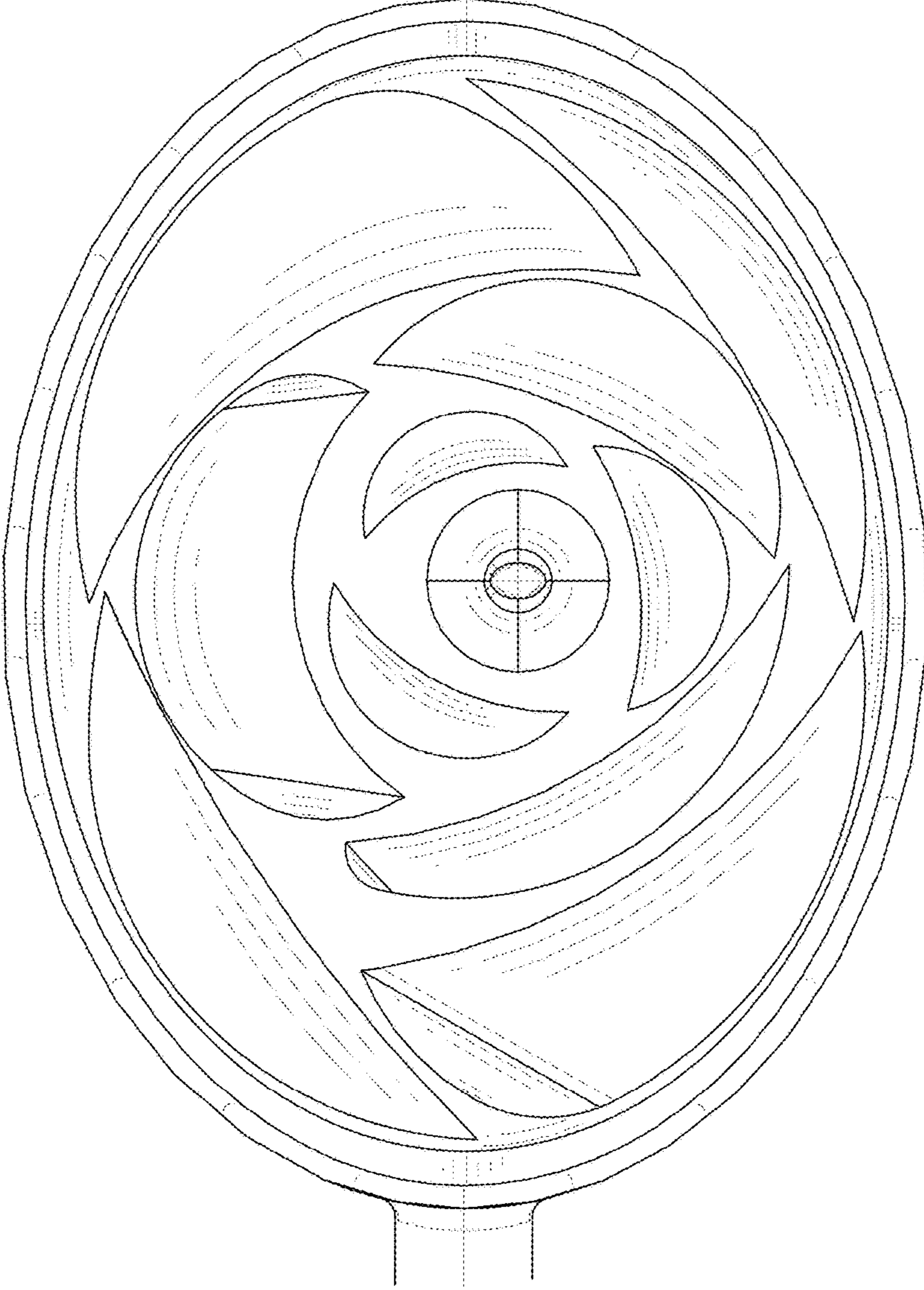


Fig. 9



Fig. 10