



US00D841337S

(12) **United States Design Patent**
Mauffette et al.

(10) **Patent No.:** **US D841,337 S**
(45) **Date of Patent:** **** Feb. 26, 2019**

- (54) **TOOTHBRUSH HOLDER**
- (71) Applicant: **MAXOR INC.**, Drummondville (CA)
- (72) Inventors: **Claude Mauffette**, Montreal (CA);
Jean-Francois Jacques, Montreal (CA);
Denis Lamothe, Drummondville (CA);
Jean Lamothe, Drummondville (CA);
Pierre Halmai, Montreal (CA)
- (73) Assignee: **MAXOR INC.**, Drummondville (CA)

6,935,515 B1 * 8/2005 Sookoo A46B 15/0091
211/65
D518,643 S * 4/2006 Kling D4/113
D622,963 S * 9/2010 Paik D4/199
7,951,343 B1 * 5/2011 Davis A61L 2/18
206/209
D646,897 S * 10/2011 Nanda D4/113
D670,506 S * 11/2012 Kayser D4/113
D765,990 S * 9/2016 Kim D4/116
D773,816 S * 12/2016 Ghiorghie D3/310
D774,797 S * 12/2016 Li D6/534
D783,306 S * 4/2017 Gal D6/534

(Continued)

(**) Term: **14 Years**

(21) Appl. No.: **29/526,657**

(22) Filed: **May 12, 2015**

(51) **LOC (11) Cl.** **04-02**

(52) **U.S. Cl.**
USPC **D4/113**

(58) **Field of Classification Search**
USPC D4/113, 109, 114, 199, 116; D6/534;
D3/310; 312/206; 211/65; 422/300;
206/209
CPC A47K 1/09; A46B 17/04; A46B 15/0091;
A61L 2/183; A61L 2/18
See application file for complete search history.

(56) **References Cited**

U.S. PATENT DOCUMENTS

2,275,549 A 3/1942 Oshman et al.
2,531,066 A 11/1950 Lynch
2,600,345 A 6/1952 Venditti
3,138,414 A 6/1964 La Pollo
D327,171 S * 6/1992 Moore D4/113
D394,158 S * 5/1998 Kramer D4/113
5,769,245 A * 6/1998 Butler A47K 1/09
211/65
6,003,964 A * 12/1999 Baker A46B 17/04
312/206
D477,948 S * 8/2003 Paik D6/534

FOREIGN PATENT DOCUMENTS

WO 199835585 A1 8/1998
WO 2014078953 A1 5/2014

Primary Examiner — Rhea Shields

(74) *Attorney, Agent, or Firm* — Gonzalo Lavin

(57) **CLAIM**

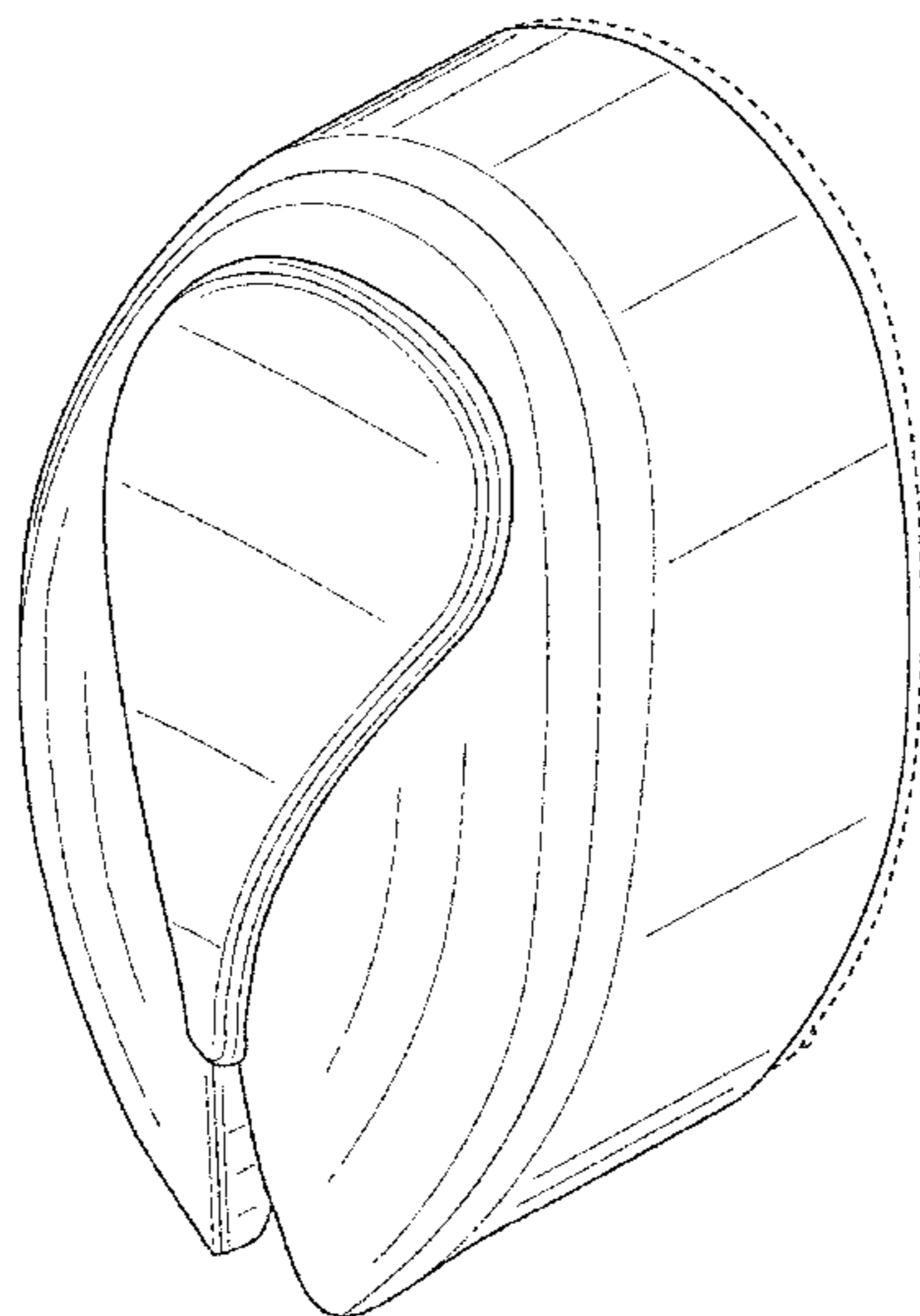
The ornamental design for a toothbrush holder, as shown and described.

DESCRIPTION

FIG. 1 is a perspective view taken from a front, left side of a toothbrush holder according to our new design;
FIG. 2 is a front elevation view thereof;
FIG. 3 is a left side elevation view thereof;
FIG. 4 is a right side elevation view thereof;
FIG. 5 is a rear elevation view thereof; and,
FIG. 6 is a top plan view thereof.

Throughout the Figures, the broken lines are for the purpose of illustrating environment only and form no part of the claimed design. Portions of the toothbrush holder not shown in the Figures and not otherwise described in this specification do not form part of the claimed design. All surfaces not shown form no part of the claimed design.

1 Claim, 6 Drawing Sheets



(56)

References Cited

U.S. PATENT DOCUMENTS

D785,951 S * 5/2017 Rosenzweig D4/199
2006/0204416 A1 * 9/2006 Hayes A61L 2/183
422/300

* cited by examiner

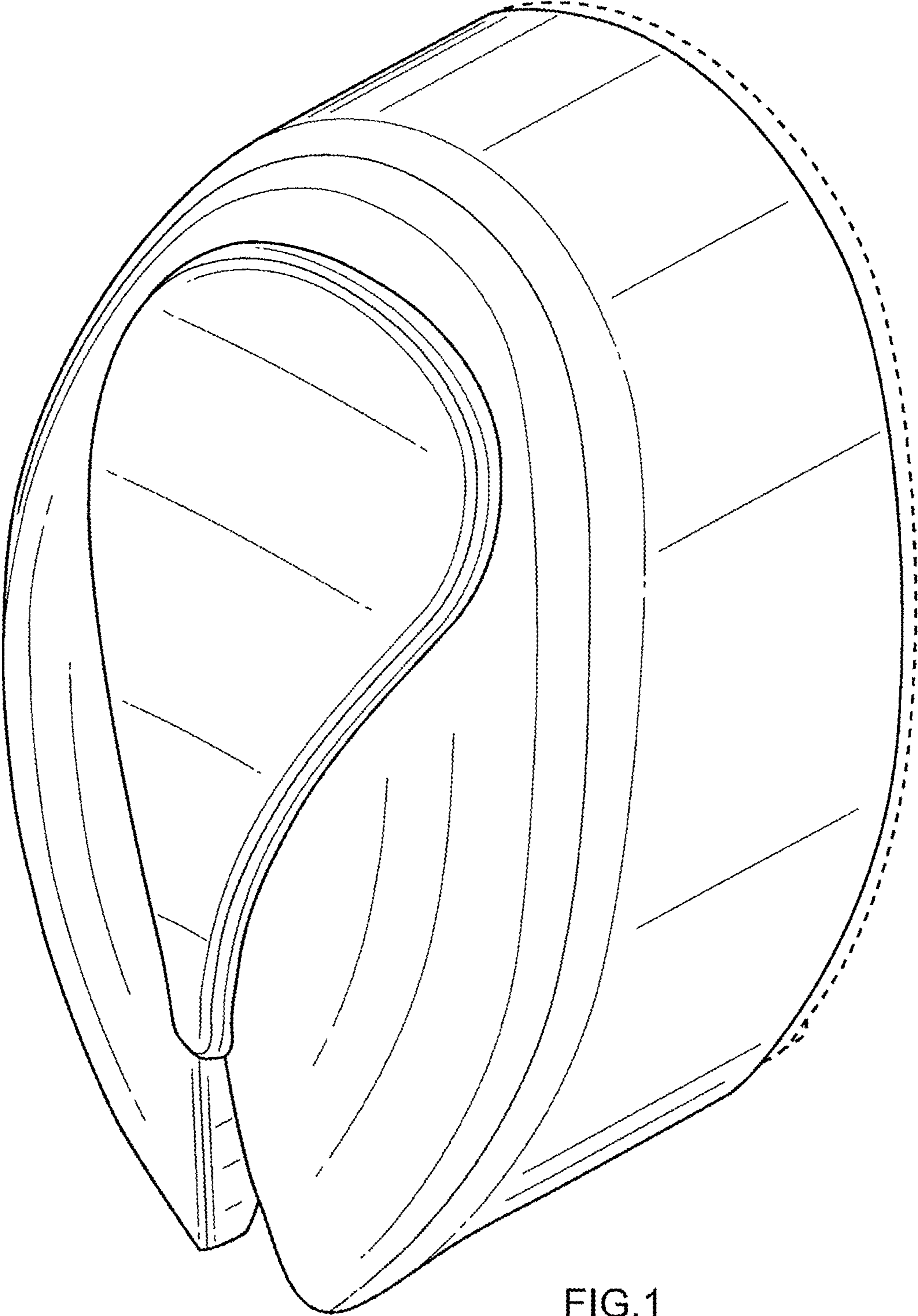


FIG. 1

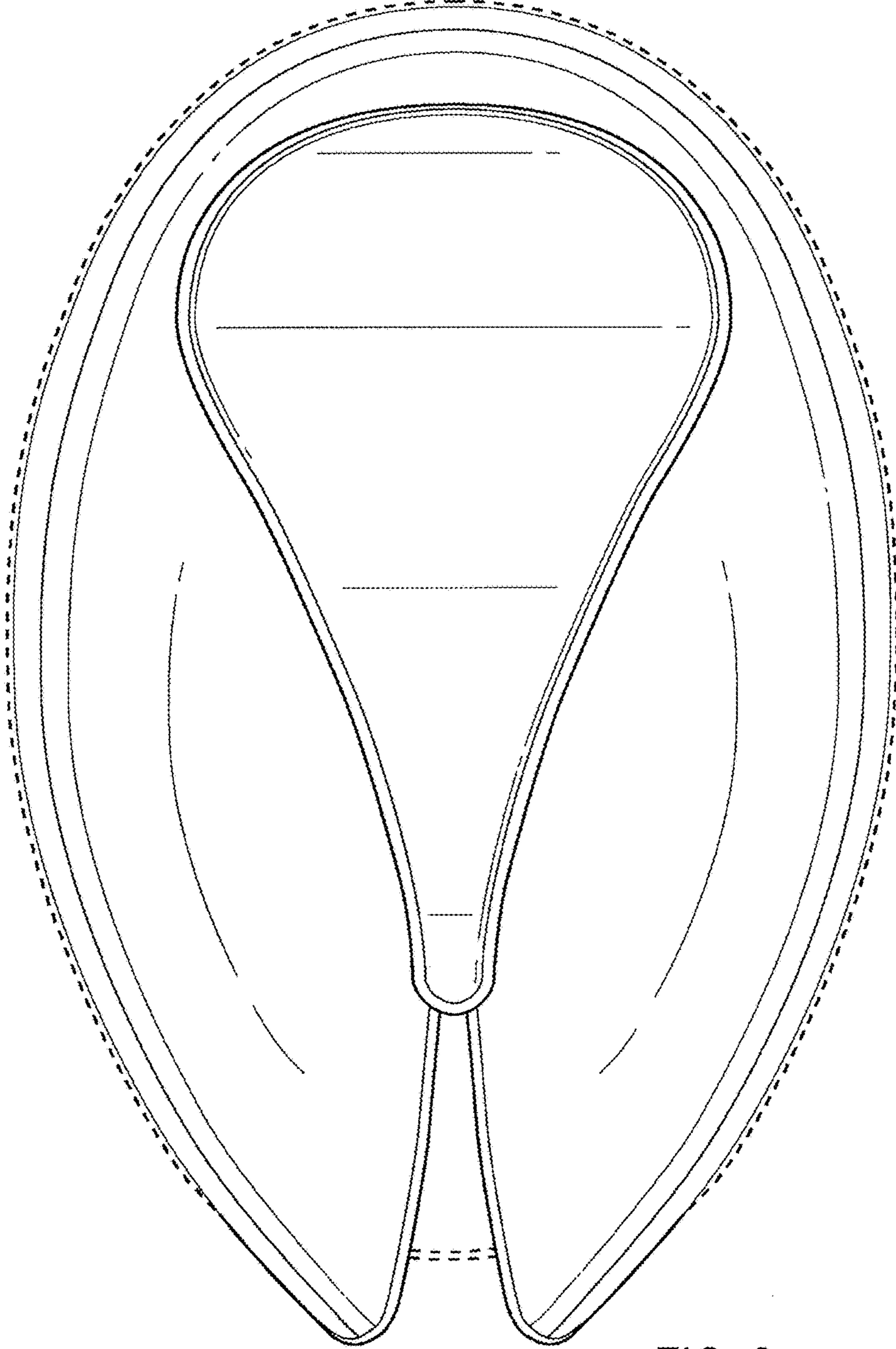


FIG. 2

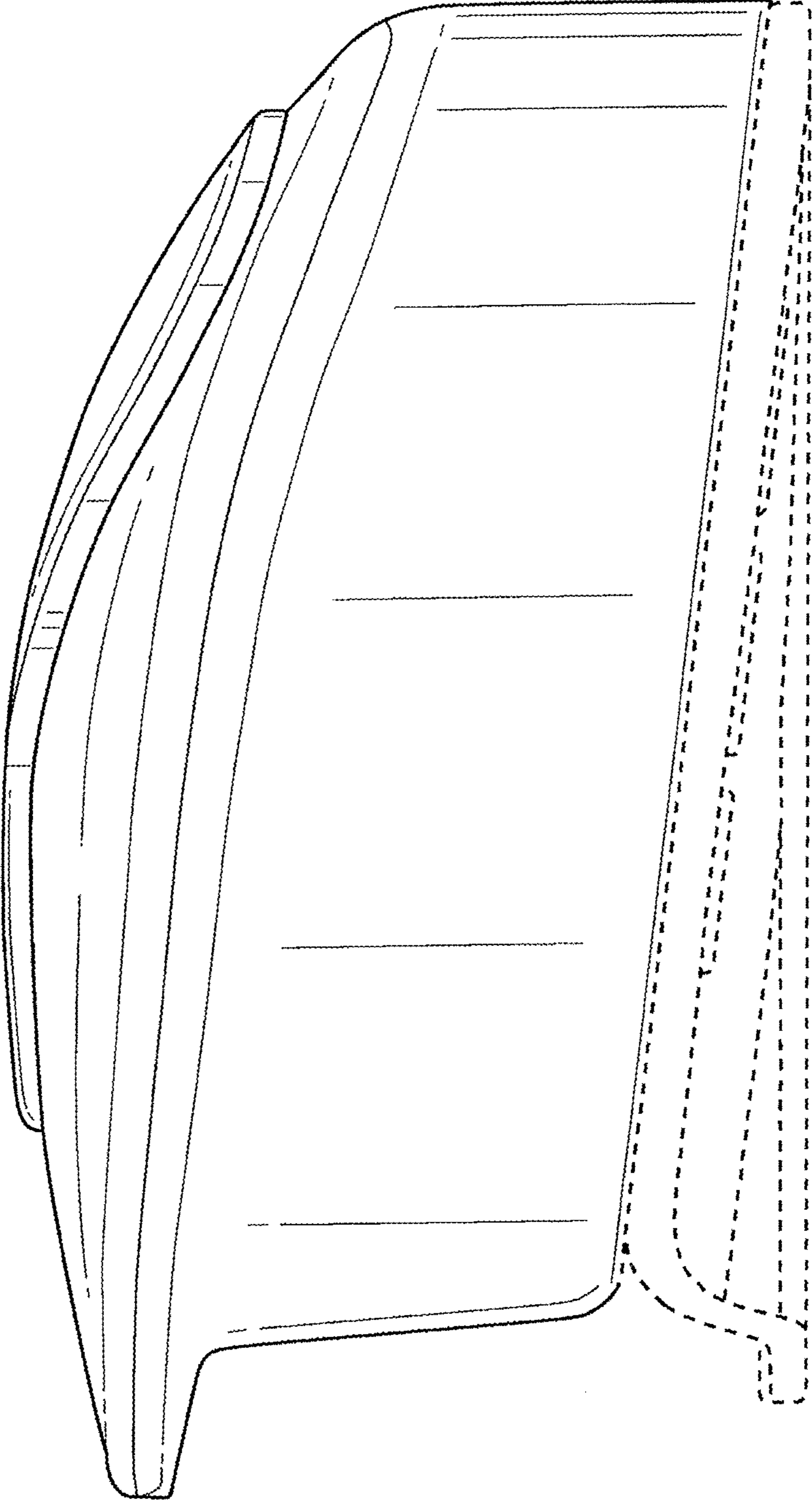


FIG. 3

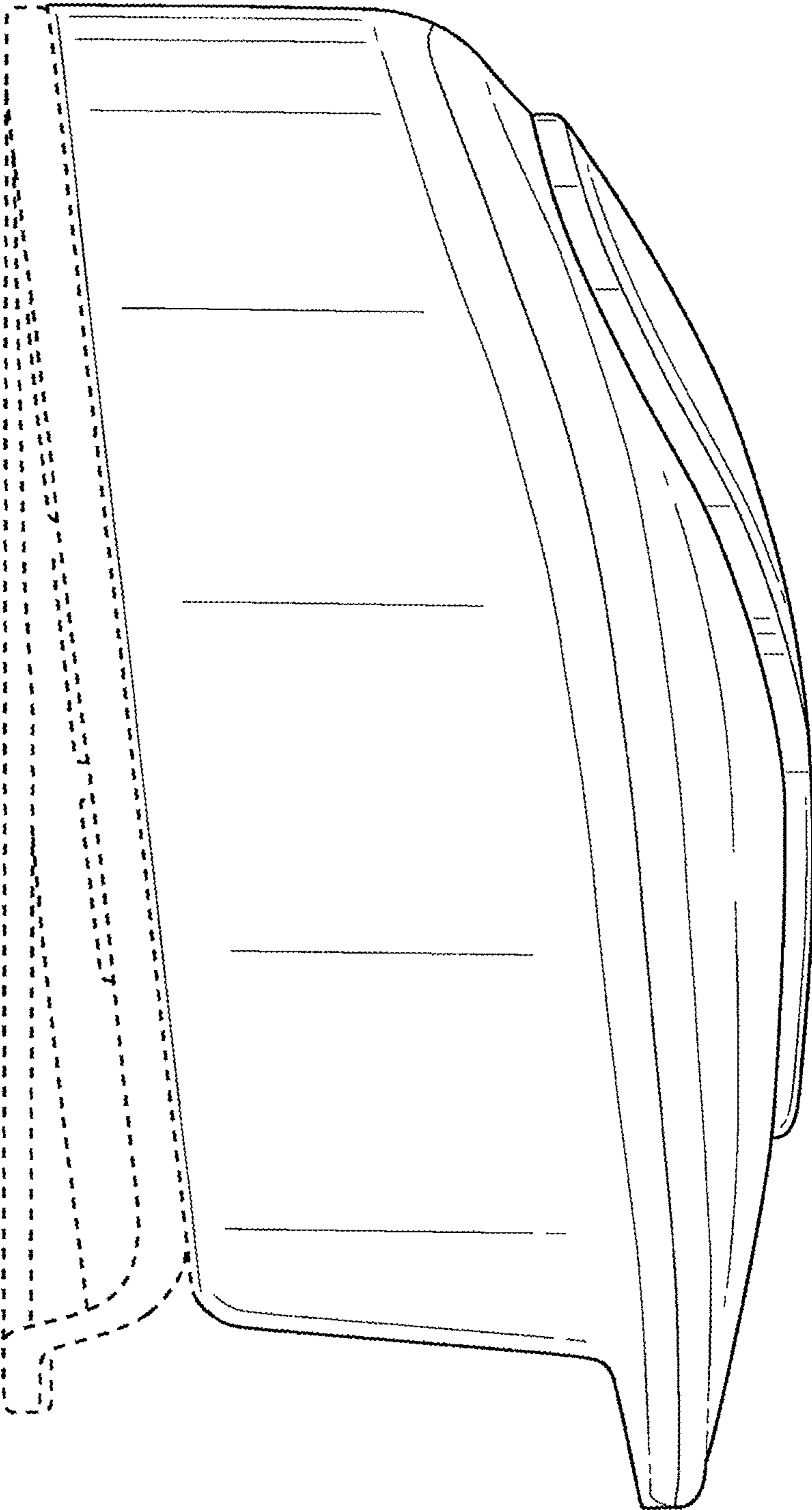


FIG. 4

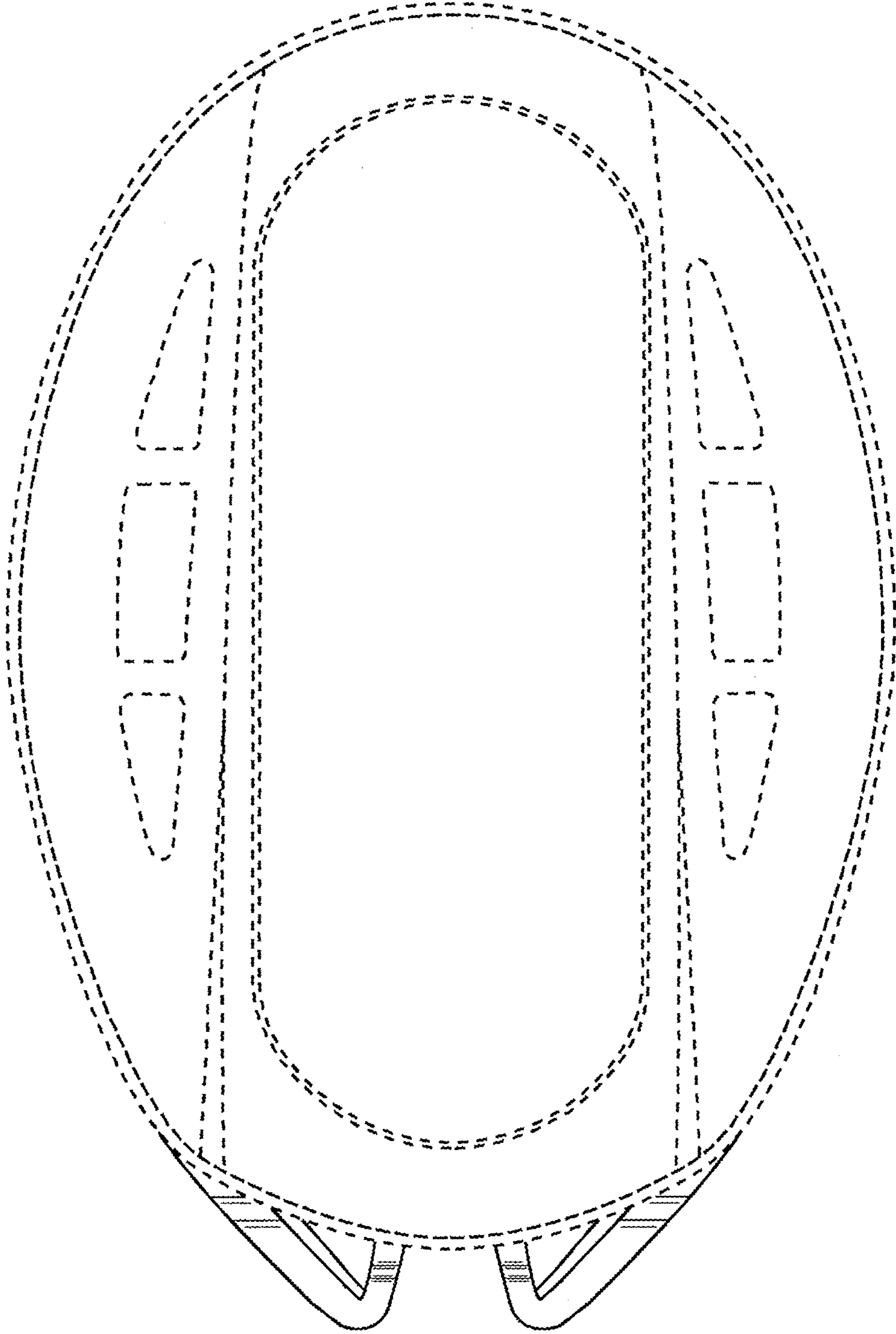


FIG. 5

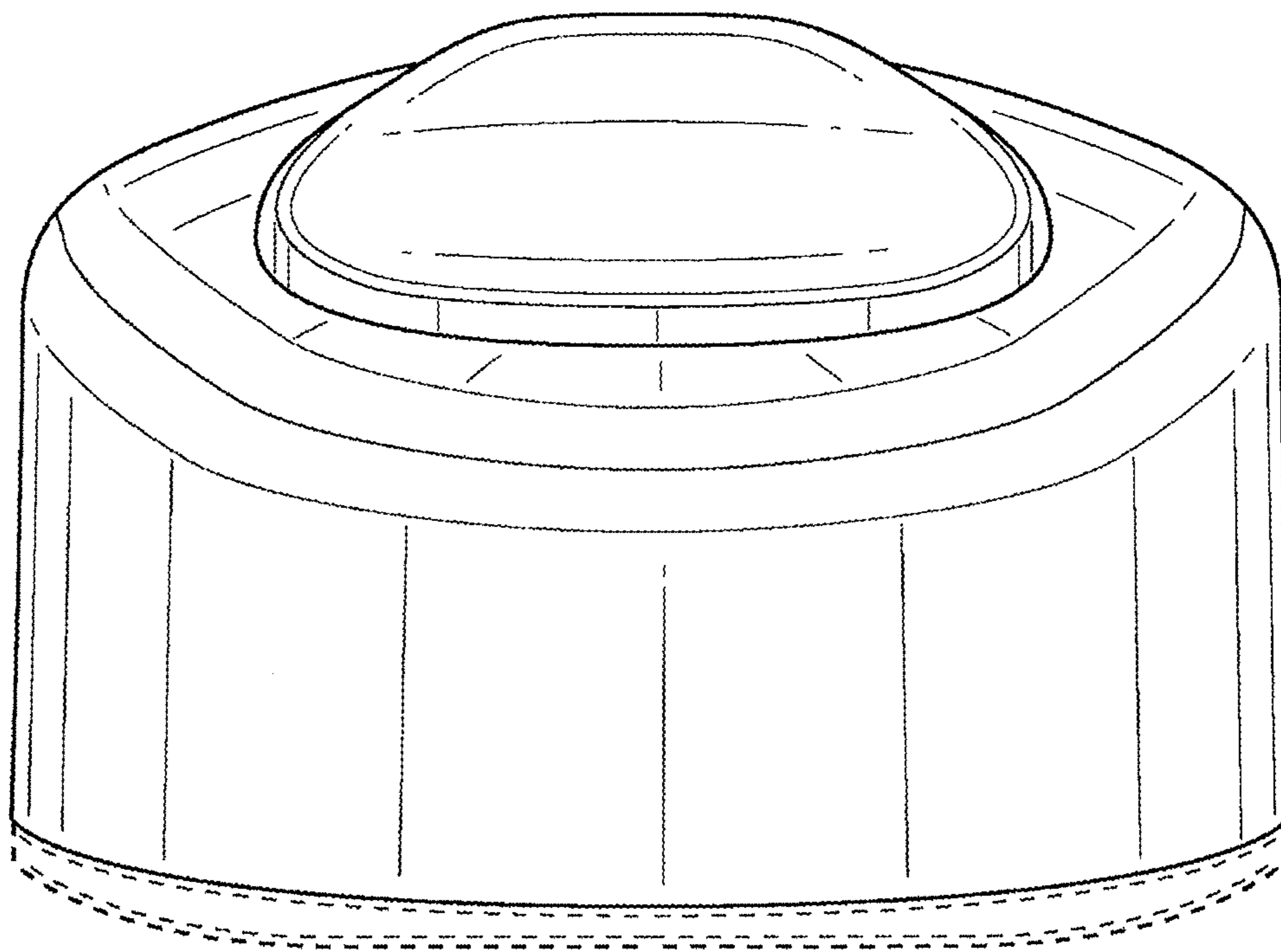


FIG. 6