

US00D841335S

(12) **United States Design Patent** (10) **Patent No.:** **US D841,335 S**
Jimenez et al. (45) **Date of Patent:** **** Feb. 26, 2019**

(54) **TOOTHBRUSH**

(56)

References Cited

(71) Applicant: **Colgate-Palmolive Company**, New York, NY (US)

U.S. PATENT DOCUMENTS

(72) Inventors: **Eduardo Jimenez**, Manalapan, NJ (US); **Robert Moskovich**, Manakin-Sabot, VA (US); **Michael Rooney**, Millburn, NJ (US); **Joachim Storz**, Zell am See (AT); **Raimund Klausegger**, Vienna (AT); **Andreas Wechsler**, Zell am See (AT)

1,559,114	A	*	10/1925	Maranville	A41D 19/01558 15/227
1,968,411	A		7/1934	Lukenbill	
2,117,174	A		5/1938	Jones	
2,978,724	A		4/1961	Gracian	
3,337,893	A		8/1967	Fine et al.	
3,553,759	A		1/1971	Kramer et al.	
D243,422	S	*	2/1977	Varga	D4/104
4,010,509	A		3/1977	Huish	
4,277,862	A		7/1981	Weideman	
4,283,808	A		8/1981	Beebe	
4,517,701	A		5/1985	Stanford, Jr.	
4,535,014	A		8/1985	Wright	
4,959,052	A		9/1990	Cox	
5,087,403	A		2/1992	Weihrauch	
5,226,197	A		7/1993	Nack et al.	
5,256,048	A		10/1993	Jacobs et al.	
5,305,489	A		4/1994	Lage	
D347,736	S		6/1994	Schneider et al.	
5,331,704	A		7/1994	Rosen et al.	
5,335,389	A		8/1994	Curtis et al.	
5,341,537	A		8/1994	Curtis et al.	
5,355,544	A		10/1994	Dirksing	
5,392,483	A		2/1995	Heinzelman et al.	
5,398,369	A		3/1995	Heinzelman et al.	
5,446,940	A		9/1995	Curtis et al.	
5,459,898	A		10/1995	Bacolot	
D368,163	S		3/1996	Overthun	
5,604,951	A		2/1997	Shipp	
5,628,082	A		5/1997	Moskovich	
5,630,244	A		5/1997	Chang	
5,655,249	A		8/1997	Li	
D390,706	S		2/1998	Hohlbein et al.	
5,735,012	A		4/1998	Heinzelman et al.	
5,742,972	A		4/1998	Bredall et al.	
5,758,383	A		6/1998	Hohlbein	
5,761,759	A		6/1998	Leversby et al.	
5,781,958	A		7/1998	Meessmann et al.	
5,787,540	A		8/1998	Hirschmann	
D403,509	S		1/1999	Vonarburg	
D404,205	S		1/1999	Hohlbein	
D404,206	S		1/1999	Hohlbein	
5,863,102	A		1/1999	Waguespack et al.	
5,864,915	A		2/1999	Ra	
5,898,967	A		5/1999	Wu et al.	
5,903,949	A		5/1999	Halm	
5,926,900	A		7/1999	Bennett	
5,946,758	A		9/1999	Hohlbein et al.	
5,970,564	A		10/1999	Inns et al.	

(73) Assignee: **Colgate-Palmolive Company**, New York, NY (US)

(**) Term: **15 Years**

(21) Appl. No.: **29/639,834**

(22) Filed: **Mar. 9, 2018**

Related U.S. Application Data

(60) Continuation of application No. 29/443,323, filed on Jan. 16, 2013, which is a division of application No. 29/352,273, filed on Dec. 18, 2009, now Pat. No. Des. 675,830.

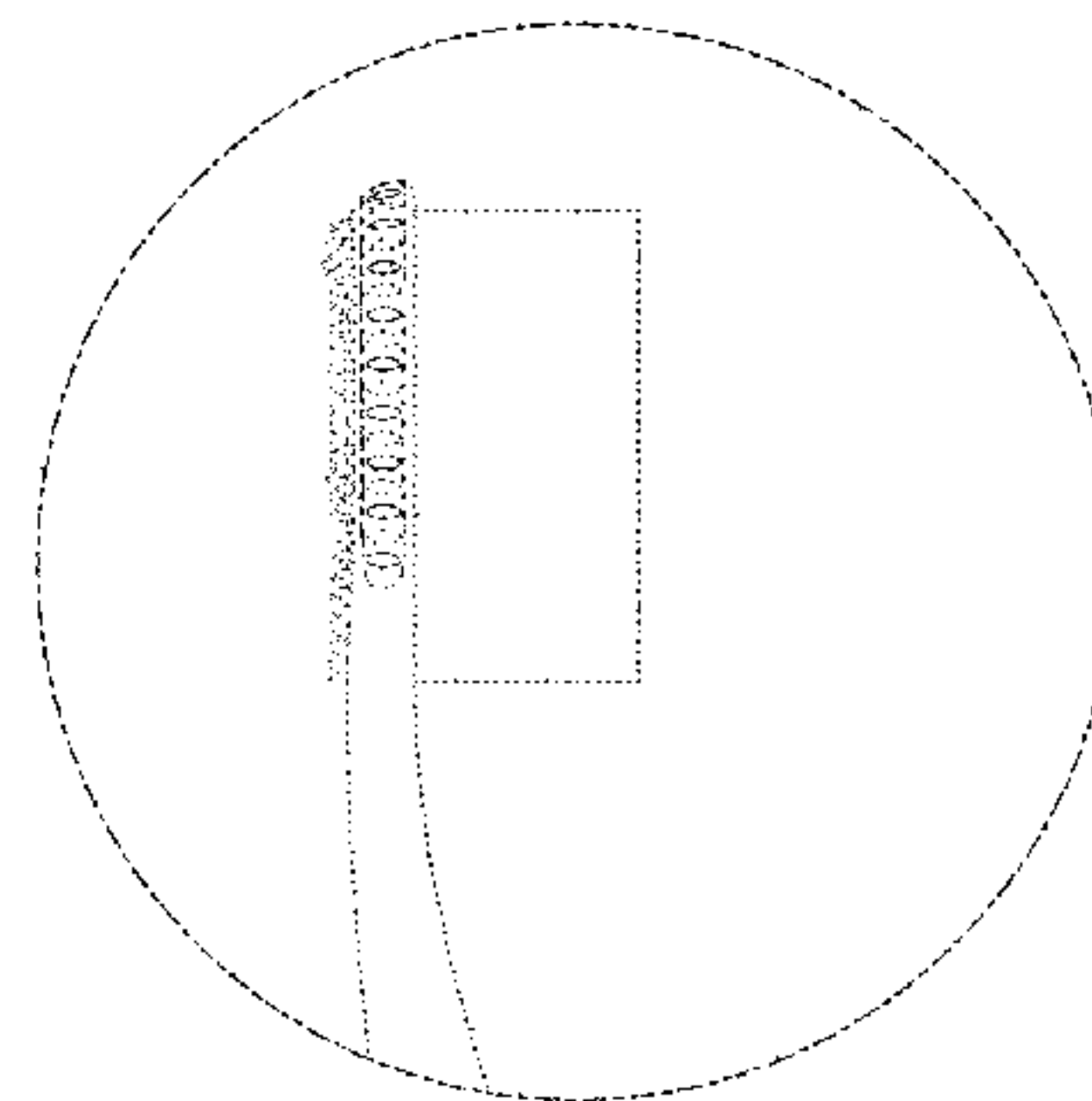
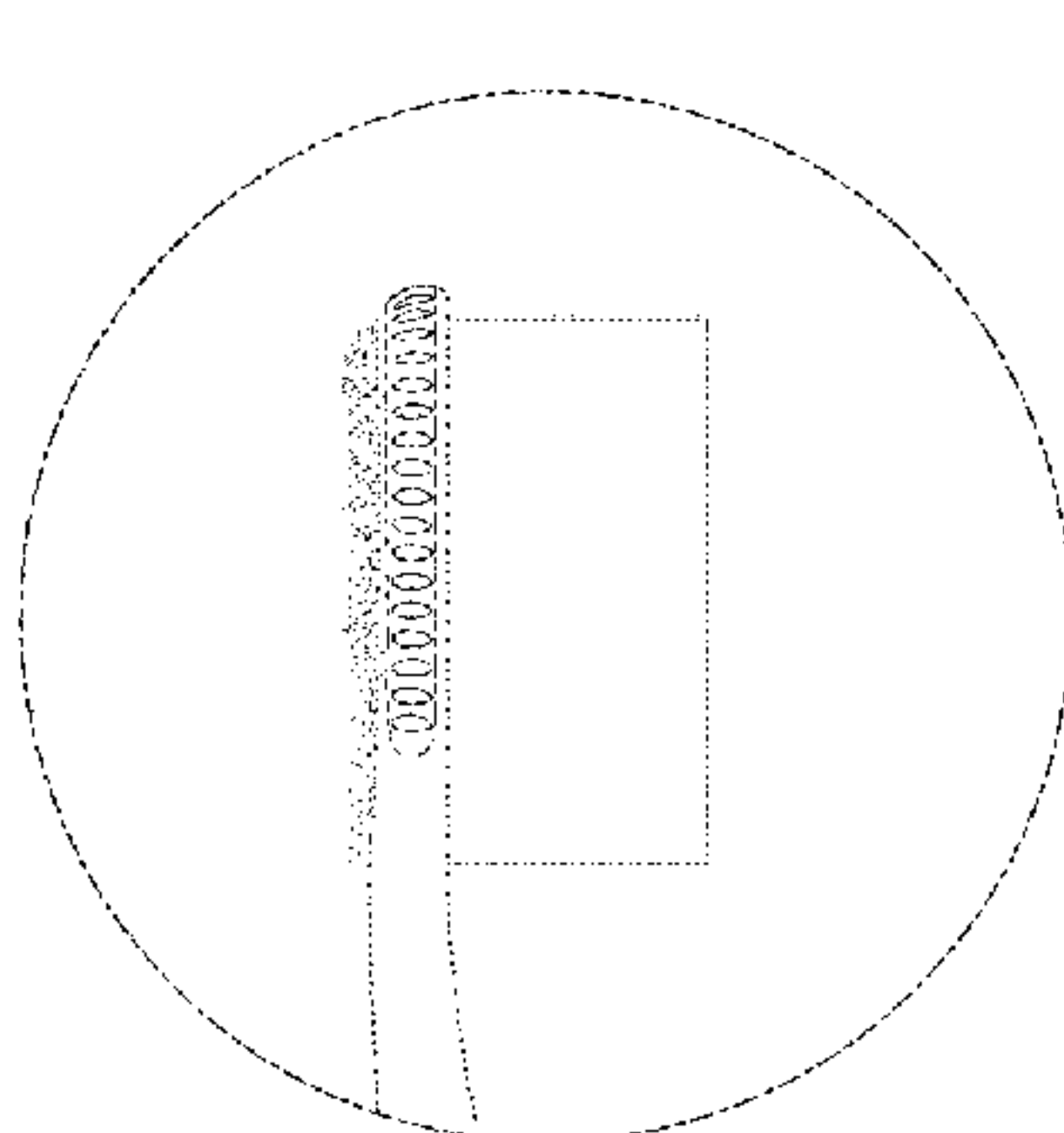
(51) **LOC (11) Cl.** **04-02**

(52) **U.S. Cl.**
USPC **D4/108**

(58) **Field of Classification Search**
USPC D4/100, 101, 102, 103, 104, 105, 106, D4/107, 108, 109, 110, 111, 112, 113, D4/114, 115, 116, 117, 118, 119, 120, D4/121, 122, 123, 134, 135, 126, 127, D4/128, 129, 130, 131, 132, 133, 136, D4/137, 138, 199

CPC A46B 9/02; A46B 9/04; A46B 15/0081; A46B 2200/1066; A46B 2200/1073; A46B 5/02; A46B 9/026

See application file for complete search history.



US D841,335 S

Page 2

D416,685 S	11/1999	Overthun	D483,569 S	12/2003	Wong
5,991,958 A	11/1999	Hohlbein	6,658,688 B2	12/2003	Gavney, Jr.
D419,773 S	2/2000	Beals et al.	6,668,416 B1	12/2003	Georgi et al.
D420,802 S	2/2000	Cheong et al.	D485,989 S	2/2004	Winkler et al.
6,041,468 A	3/2000	Chen et al.	D486,649 S	2/2004	Sprosta et al.
6,051,176 A	4/2000	Boucherie	6,687,940 B1	2/2004	Gross et al.
6,073,299 A	6/2000	Hohlbein	D487,195 S	3/2004	Winkler
6,076,223 A	6/2000	Dair et al.	D488,621 S	4/2004	Wong
D427,437 S	7/2000	Vonarburg	D490,613 S	6/2004	Wong
6,088,870 A	7/2000	Hohlbein	6,776,597 B2	8/2004	Buhler
6,092,252 A	7/2000	Fischer et al.	6,783,346 B2	8/2004	Bodmer et al.
D429,887 S	8/2000	Hohlbein et al.	D498,926 S	11/2004	Wong
6,101,659 A	8/2000	Halm	6,810,551 B1	11/2004	Weihrauch
6,108,849 A	8/2000	Weihrauch	6,820,299 B2	11/2004	Gavney, Jr.
6,108,851 A	8/2000	Bredall et al.	6,820,300 B2	11/2004	Gavney, Jr.
6,108,869 A	8/2000	Meessmann et al.	D501,724 S	2/2005	Li et al.
6,119,296 A	9/2000	Noe et al.	6,854,965 B2	2/2005	Ebner et al.
6,131,228 A	10/2000	Chen et al.	D502,322 S	3/2005	Bava et al.
6,138,315 A	10/2000	Schmitt et al.	6,859,969 B2	3/2005	Gavney, Jr. et al.
6,158,444 A	12/2000	Weihrauch	D503,538 S	4/2005	Desalvo
6,161,245 A	12/2000	Weihrauch	6,886,207 B1	5/2005	Solanki
6,178,583 B1	1/2001	Volpenhein	6,895,629 B1	5/2005	Wenzler
D438,012 S	2/2001	Cheong et al.	6,919,038 B2	7/2005	Meyer et al.
D440,048 S	4/2001	Beals et al.	6,938,293 B2	9/2005	Eliav et al.
D441,958 S	5/2001	Rueb	6,944,903 B2	9/2005	Gavney, Jr.
6,234,798 B1	5/2001	Beals et al.	D511,249 S	11/2005	Hohlbein
6,237,183 B1	5/2001	Fischer	6,968,590 B2	11/2005	Ponzini
6,254,390 B1	7/2001	Wagner	6,972,106 B2	12/2005	Huber et al.
6,276,019 B1	8/2001	Leversby et al.	D513,882 S	1/2006	Hohlbein et al.
6,276,020 B1	8/2001	Leversby et al.	6,988,777 B2	1/2006	Pfenniger et al.
6,276,021 B1	8/2001	Hohlbein	6,990,706 B2	1/2006	Broecker et al.
6,292,973 B1	9/2001	Moskovich et al.	D514,320 S	2/2006	Hohlbein
D448,571 S	10/2001	Harris et al.	D514,812 S	2/2006	Hohlbein et al.
6,298,516 B1	10/2001	Beals et al.	D514,814 S	2/2006	Moskovich et al.
6,308,367 B1	10/2001	Beals et al.	6,996,870 B2	2/2006	Hohlbein
D450,457 S	11/2001	Hohlbein	7,003,839 B2	2/2006	Hafliger et al.
6,314,606 B1	11/2001	Hohlbein	D516,818 S	3/2006	Hohlbein et al.
D451,286 S	12/2001	Hohlbein	D516,819 S	3/2006	Hohlbein
D453,270 S	2/2002	Choong	D517,812 S	3/2006	Hohlbein et al.
6,352,545 B1	3/2002	Wagner	D517,813 S	3/2006	Hohlbein et al.
6,353,958 B2	3/2002	Weihrauch	7,007,332 B2	3/2006	Hohlbein
6,357,074 B1	3/2002	Weihrauch	7,020,928 B2	4/2006	Hohlbein
D455,011 S	4/2002	Luchino et al.	D520,753 S	5/2006	Hohlbein
D456,138 S	4/2002	Hohlbein	7,039,984 B1	5/2006	Watanabe et al.
D456,139 S	4/2002	Hohlbein	7,047,591 B2	5/2006	Hohlbein
D457,323 S	5/2002	Hohlbein	7,055,205 B2	6/2006	Aoyama
D457,325 S	5/2002	Wilson et al.	7,069,615 B2	7/2006	Gavney, Jr.
6,385,808 B1	5/2002	Yamada et al.	D526,789 S	8/2006	Wong
D458,453 S	6/2002	Baertschi	7,083,756 B2	8/2006	Strahler
D459,086 S	6/2002	Belton et al.	7,089,621 B2	8/2006	Hohlbein
6,397,425 B1	6/2002	Szczecz et al.	D527,528 S	9/2006	Hohlbein
D461,313 S	8/2002	Hohlbein	D527,906 S	9/2006	Kling et al.
D461,642 S	8/2002	Blaustein et al.	D528,803 S	9/2006	Hohlbein
D462,173 S	9/2002	Eliav et al.	D531,415 S	11/2006	Won
D462,525 S	9/2002	Grau et al.	D532,202 S	11/2006	Hohlbein
D462,528 S	9/2002	Crossman et al.	D532,607 S	11/2006	Hohlbein
6,442,787 B2	9/2002	Hohlbein	7,141,197 B2	11/2006	Chadwick et al.
6,447,280 B1	9/2002	Grimm	D532,975 S	12/2006	Lonngren
D463,668 S	10/2002	Yoshimoto et al.	D533,351 S	12/2006	Wong
D464,133 S	10/2002	Barnett et al.	7,143,462 B2	12/2006	Hohlbein
6,464,920 B1	10/2002	Kramer	7,146,675 B2	12/2006	Ansari et al.
D469,958 S	2/2003	Saindon et al.	D535,823 S	1/2007	Crossman
6,514,445 B1	2/2003	Cann et al.	7,168,125 B2	1/2007	Hohlbein
6,523,907 B1	2/2003	Buckner et al.	7,174,596 B2	2/2007	Fischer et al.
D471,363 S	3/2003	Grau et al.	7,181,799 B2	2/2007	Gavney, Jr. et al.
6,546,583 B1	4/2003	Rohrig	7,182,542 B2	2/2007	Hohlbein
D474,608 S	5/2003	Hohlbein	7,213,288 B2	5/2007	Hohlbein
D475,200 S	6/2003	Crossman et al.	7,219,384 B2	5/2007	Hohlbein
D475,531 S	6/2003	Klimeck et al.	7,237,974 B2	7/2007	Pfenniger et al.
D476,487 S	7/2003	Saindon et al.	7,241,413 B2	7/2007	Pfenniger et al.
6,599,048 B2	7/2003	Kuo	7,261,851 B2	8/2007	Hafliger et al.
D478,216 S	8/2003	Lee et al.	D549,965 S	9/2007	Wong
D478,424 S	8/2003	Saindon et al.	7,264,868 B2	9/2007	Ajbani et al.
D478,727 S	8/2003	Wong	7,273,327 B2	9/2007	Hohlbein et al.
6,601,272 B2	8/2003	Stvartak et al.	7,297,303 B2	11/2007	Kraemer
D479,914 S	9/2003	Choong	D557,014 S	12/2007	Wong
D480,214 S	10/2003	Kling et al.	D557,503 S	12/2007	Wong
D482,199 S	11/2003	DeSalvo	D557,504 S	12/2007	Hohlbein
6,652,941 B1	11/2003	Chadwick et al.	D557,505 S	12/2007	Hohlbein

US D841,335 S

7,310,846 B1	12/2007	Archilbeque	2004/0094866 A1	5/2004	Boucherie	
7,322,067 B2	1/2008	Hohlbein	2004/0139569 A1	7/2004	Chen	
D562,560 S	2/2008	Hohlbein	2004/0181889 A1	9/2004	Huber et al.	
7,331,731 B2	2/2008	Hohlbein et al.	2004/0255416 A1	12/2004	Hohlbein	
D566,401 S	4/2008	Crossman	2005/0091767 A1	5/2005	Jimenez et al.	
7,354,112 B2	4/2008	Fischer et al.	2005/0109364 A1	5/2005	Gross et al.	
D569,624 S	5/2008	Porter et al.	2005/0138743 A1	6/2005	Huber et al.	
D569,625 S	5/2008	Porter et al.	2005/0166343 A1	8/2005	Gavney, Jr.	
7,383,619 B2	6/2008	Gross et al.	2005/0235439 A1	10/2005	Braun et al.	
7,386,909 B2	6/2008	Hohlbein	2005/0260394 A1	11/2005	Ajbani et al.	
D575,064 S	8/2008	Wong	2006/0019097 A1	1/2006	Weihrauch	
7,415,788 B2	8/2008	Little et al.	2006/0021173 A1	2/2006	Huber et al.	
D577,493 S *	9/2008	Wong D4/108	2006/0026784 A1 *	2/2006	Moskovich A46B 5/0062	
7,418,759 B2	9/2008	Huber et al.			15/110	
7,445,295 B2	11/2008	Fischer et al.	2006/0057087 A1	3/2006	Moskovich et al.	
D582,681 S	12/2008	Geiberger et al.	2006/0060461 A1	3/2006	Kerzog et al.	
7,458,125 B2	12/2008	Hohlbein	2006/0080799 A1	4/2006	Lucente	
7,458,647 B2	12/2008	Fischer et al.	2006/0085932 A1	4/2006	Santos	
7,472,448 B2	1/2009	Hohlbein et al.	2006/0099162 A1	5/2006	Moskovich et al.	
7,472,965 B2	1/2009	Huber et al.	2006/0107478 A1	5/2006	Boucherie	
7,478,959 B2	1/2009	Hohlbein	2006/0123574 A1	6/2006	Storkel et al.	
7,480,955 B2	1/2009	Hohlbein et al.	2006/0129171 A1	6/2006	Moskovich	
D589,256 S	3/2009	Taylor et al.	2006/0200925 A1	9/2006	Moskovich et al.	
D589,260 S	3/2009	Hohlbein	2006/0213018 A1	9/2006	Gross et al.	
7,520,571 B2	4/2009	Fischer et al.	2006/0230563 A1	10/2006	Gavney, Jr.	
D593,327 S	6/2009	Wong	2006/0230652 A1	10/2006	Little	
7,556,320 B2	7/2009	Hafliger et al.	2006/0272112 A9	12/2006	Braun et al.	
7,562,411 B2	7/2009	Gavney, Jr.	2006/0288510 A1	12/2006	Georgi et al.	
D598,199 S	8/2009	Russell et al.	2007/0033757 A1	2/2007	Storkel et al.	
D599,556 S	9/2009	Russell et al.	2007/0119010 A1 *	5/2007	Hohlbein A46B 5/02	
7,594,293 B2	9/2009	Xi et al.			15/143.1	
D614,869 S	5/2010	Wong	2007/0128442 A1	6/2007	Buehler	
7,721,376 B2	5/2010	Hohlbein et al.	2007/0143942 A1	6/2007	Fox et al.	
7,722,274 B2	5/2010	Hohlbein et al.	2007/0151058 A1	7/2007	Georgi et al.	
7,725,980 B2	6/2010	Moskovich	2007/0151575 A1	7/2007	De Masi, Sr.	
7,735,174 B2	6/2010	Hohlbein et al.	2007/0163064 A1 *	7/2007	Wong A46B 5/0025	
7,743,448 B2	6/2010	Gavney, Jr.			15/143.1	
D632,484 S *	2/2011	Jimenez D4/108	2007/0174985 A1	8/2007	Steven, Jr.	
D637,401 S	5/2011	Pusch et al. D4/104	2007/0186453 A1	8/2007	Little et al.	
D654,270 S *	2/2012	Jimenez D4/104	2007/0199168 A1	8/2007	Blanchard et al.	
D654,695 S	2/2012	Jimenez et al.	2007/0204417 A1	9/2007	Russell et al.	
D654,696 S	2/2012	Jimenez et al.	2007/0222109 A1	9/2007	Pfenniger et al.	
D670,505 S *	11/2012	Jimenez D4/108	2007/0251040 A1	11/2007	Braun et al.	
D671,326 S *	11/2012	Jimenez D4/104	2007/0256259 A1	11/2007	Hafliger et al.	
8,307,488 B2	11/2012	Pfenniger et al.	2007/0266507 A1	11/2007	Huber et al.	
D675,830 S *	2/2013	Jimenez D4/108	2007/0283517 A1	12/2007	Blanchard et al.	
D680,747 S *	4/2013	Pereira D4/104	2007/0283518 A1	12/2007	Blanchard et al.	
8,500,766 B2 *	8/2013	Jimenez A61B 17/244	2008/0014010 A1	1/2008	Bartschi et al.	
		15/111	2008/0028558 A1	2/2008	Kwon	
8,517,728 B2 *	8/2013	Gatzemeyer A46B 11/001	2008/0060155 A1	3/2008	Braun et al.	
		401/270	2008/0086827 A1	4/2008	Waguespack et al.	
8,549,691 B2 *	10/2013	Moskovich A46B 5/02	2008/0178401 A1	7/2008	Claire-Zimmet et al.	
		15/143.1	2008/0178406 A1	7/2008	Sekercioglu et al.	
8,561,247 B2	10/2013	Moskovich et al.	2008/0201884 A1	8/2008	Vazquez et al. 15/167.1	
9,125,484 B2 *	9/2015	Gatzemeyer A46B 11/0058	2008/0271271 A1	11/2008	Chan	
D764,176 S *	8/2016	Xi D4/104	2008/0276398 A1	11/2008	Nanda	
D764,177 S *	8/2016	Xi D4/104	2008/0315668 A1	12/2008	Huber et al.	
D767,281 S *	9/2016	Moskovich D4/104	2009/0038091 A1	2/2009	Denney et al.	
D780,457 S *	3/2017	Jimenez D4/104	2009/0064429 A1	3/2009	Hall et al.	
D797,459 S *	9/2017	Moskovich D4/104	2009/0126132 A1	5/2009	Hafliger et al.	
2001/0047556 A1	12/2001	Weihrauch	2009/0136610 A1	5/2009	Boucherie	
2002/0124864 A1	9/2002	Gross et al.	2009/0151101 A1	6/2009	Bielfeldt et al.	
2002/0138931 A1	10/2002	Davies	2009/0158540 A1	6/2009	Baertschi et al.	
2002/0170145 A1	11/2002	Stvartak et al.	2009/0183331 A1	7/2009	Gross et al.	
2003/0035953 A1	2/2003	Weihrauch	2009/0188063 A1	7/2009	Baertschi et al.	
2003/0056311 A1	3/2003	Broecker et al.	2009/0193600 A1	8/2009	Pennell et al.	
2003/0070259 A1	4/2003	Brown et al.	2010/0043162 A1	2/2010	Zimmermann et al.	
2003/0115705 A1	6/2003	Aoyama	2010/0050356 A1	3/2010	Baertschi et al.	
2003/0115706 A1	6/2003	Ponzini	2010/0257683 A1	10/2010	Boyd et al.	
2003/0163884 A1	9/2003	Weihrauch	2010/0306941 A1	12/2010	Erskine-Smith et al.	
2003/0191417 A1	10/2003	Welt et al.	2011/0308029 A1	12/2011	Edelstein et al.	
2003/0208870 A1	11/2003	Jimenez				
2003/0229959 A1	12/2003	Gavney, Jr. et al.				
2004/0010876 A1	1/2004	Kraemer				
2004/0021253 A1	2/2004	Galletti				
2004/0025272 A1	2/2004	Stvartak et al.	CN 300773949	* 5/2008		
2004/0032159 A1	2/2004	Buckner et al.	EM 000749445-0003	6/2007		
2004/0040572 A1	3/2004	Chodorow	EM 000749445-00004	* 7/2007		
2004/0088812 A1	5/2004	Weihrauch	EP 0449655	10/1991		
			EP 1607021	12/2005		

FOREIGN PATENT DOCUMENTS

EP	1621106	2/2006
GB	2375705	11/2002
JP	2002-325632 A	11/2002
JP	2008-302164 A	12/2008
JP	2009-273760 A	11/2009
KR	30-0410728 S	4/2006
KR	30-0436408 S	1/2007
KR	30-0454109 S	6/2007
KR	30-0520521 S	2/2009
WO	WO9409678	5/1994
WO	WO9601578	1/1996
WO	WO9628994	9/1996
WO	WO9707706	3/1997
WO	WO9807348	2/1998
WO	WO0064307	11/2000
WO	WO 04/019801	3/2004
WO	WO 04/026162	4/2004
WO	WO04112535	12/2004
WO	WO 2007/051203	5/2007
WO	WO 07/073917	7/2007
WO	WO 08/000800	1/2008
WO	WO 08/064873	6/2008
WO	WO 08/090529	7/2008
WO	WO08090529	7/2008
WO	WO 11/084115	7/2011
WO	WO 11/084116	7/2011

OTHER PUBLICATIONS

Colgate 360° Surround manual toothbrush, published by Eduardo Jimenez on Mar. 20, 2012 [on-line]. Retrieved from Internet Apr. 1, 2018. URL: <<http://www.coroflot.com/eduardoj9/Colgate-Palmolive>>. (5 pages).*

Written Opinion in International Application No. PCT/US09/068647, dated Mar. 29, 2012.

CN 3352016 Registered Design Application, (Zeng Fankun) Feb. 11, 2004, [online], [retrieved on Jul. 8, 2011] Retrieved from the Questel Intellectual Property Portal Design Database using the Internet: <URL: <http://www.orbit.com>>.

CN 301016574 Registered Design Application, (Tu Jinxiang) Sep. 23, 2009, [online], [retrieved on Jun. 14, 2011] Retrieved from the Questel Intellectual Property Portal Design Database using the Internet: <URL: <http://www.orbit.com>>.

* cited by examiner

Primary Examiner — Karen E Eldridge Powers

(57)

CLAIM

The ornamental design for a toothbrush, as shown and described.

DESCRIPTION

FIG. 1 is a right front perspective view of a toothbrush according to a first embodiment of the new design;

FIG. 2 is a left front perspective view thereof;
 FIG. 3 is a right rear perspective view thereof;
 FIG. 4 is a left rear perspective view thereof;
 FIG. 5 is a front elevation view thereof;
 FIG. 6 is a rear elevation view thereof;
 FIG. 7 is a right-side elevation view thereof;
 FIG. 8 is a left-side elevation view thereof;
 FIG. 9 is an enlarged top plan view thereof;
 FIG. 10 is an enlarged bottom plan view thereof;
 FIG. 11 is a close-up view of area 11 of FIG. 1;
 FIG. 12 is a close-up view of area 12 of FIG. 2;
 FIG. 13 is a close-up view of area 13 of FIG. 3;
 FIG. 14 is a close-up view of area 14 of FIG. 4;
 FIG. 15 is a close-up view of area 15 of FIG. 6;
 FIG. 16 is a close-up view of area 16 of FIG. 7;
 FIG. 17 is a close-up view of area 17 of FIG. 8;
 FIG. 18 is a right front perspective view of a toothbrush according to a second embodiment of the new design;
 FIG. 19 is a left front perspective view thereof;
 FIG. 20 is a right rear perspective view thereof;
 FIG. 21 is a left rear perspective view thereof;
 FIG. 22 is a front elevation view thereof;
 FIG. 23 is a rear elevation view thereof;
 FIG. 24 is a right-side elevation view thereof;
 FIG. 25 is a left-side elevation view thereof;
 FIG. 26 is an enlarged top plan view thereof;
 FIG. 27 is an enlarged bottom plan view thereof;
 FIG. 28 is a close-up view of area 28 of FIG. 18;
 FIG. 29 is a close-up view of area 29 of FIG. 19;
 FIG. 30 is a close-up view of area 30 of FIG. 20;
 FIG. 31 is a close-up view of area 31 of FIG. 21;
 FIG. 32 is a close-up view of area 32 of FIG. 23;
 FIG. 33 is a close-up view of area 33 of FIG. 24; and,
 FIG. 34 is a close-up view of area 34 of FIG. 25.

The dotted lines illustrate portions of the article that form no part of the claimed design. The long-short dashed broken lines shown on the article illustrate the bounds of the claimed design and form no part thereof. The circles shown in the long-short dashed broken lines illustrate the bounds of the enlarged detail views and the portions of the figures from which they were taken and form no part of the claimed design.

1 Claim, 18 Drawing Sheets

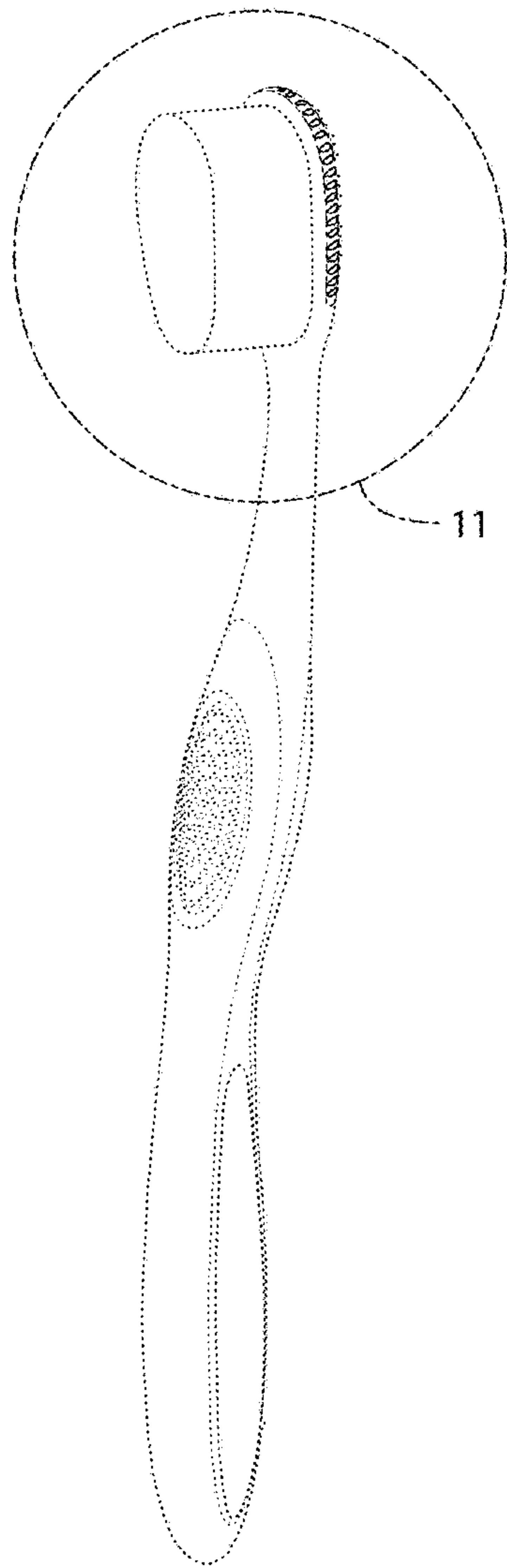


FIG. 1

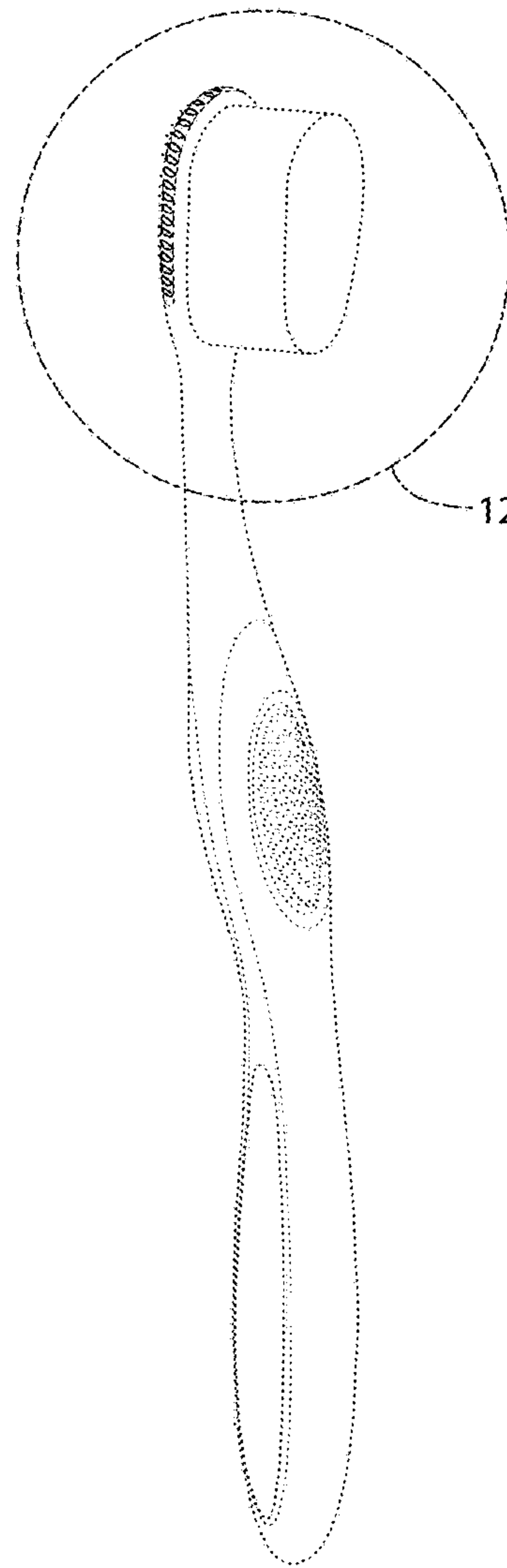


FIG. 2

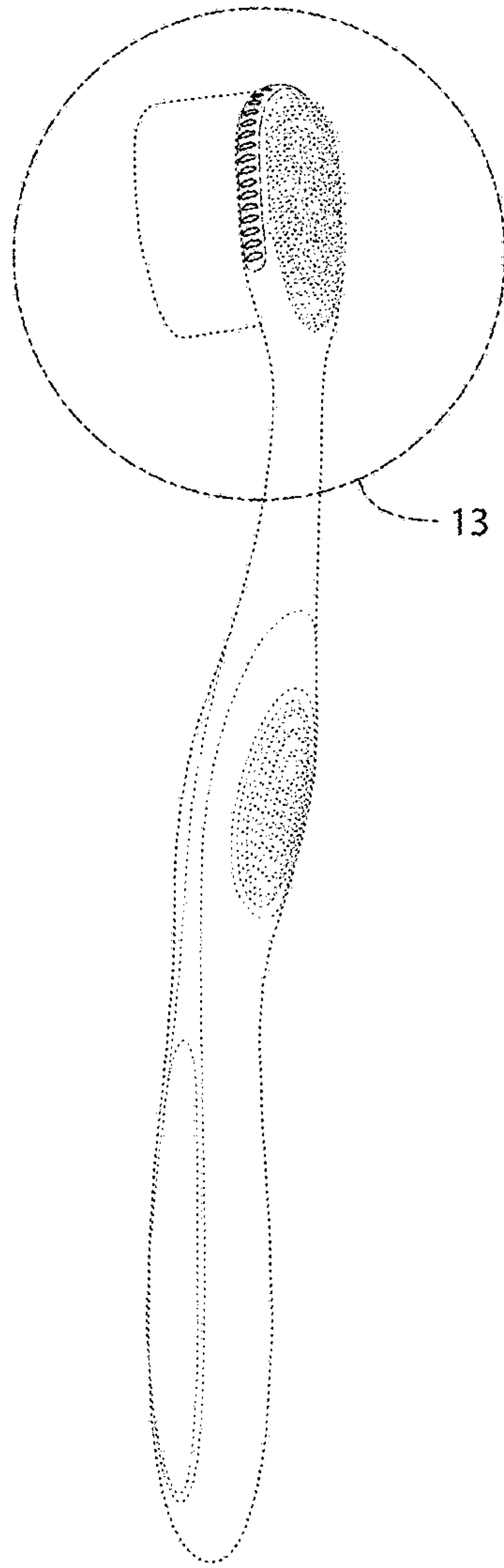


FIG. 3

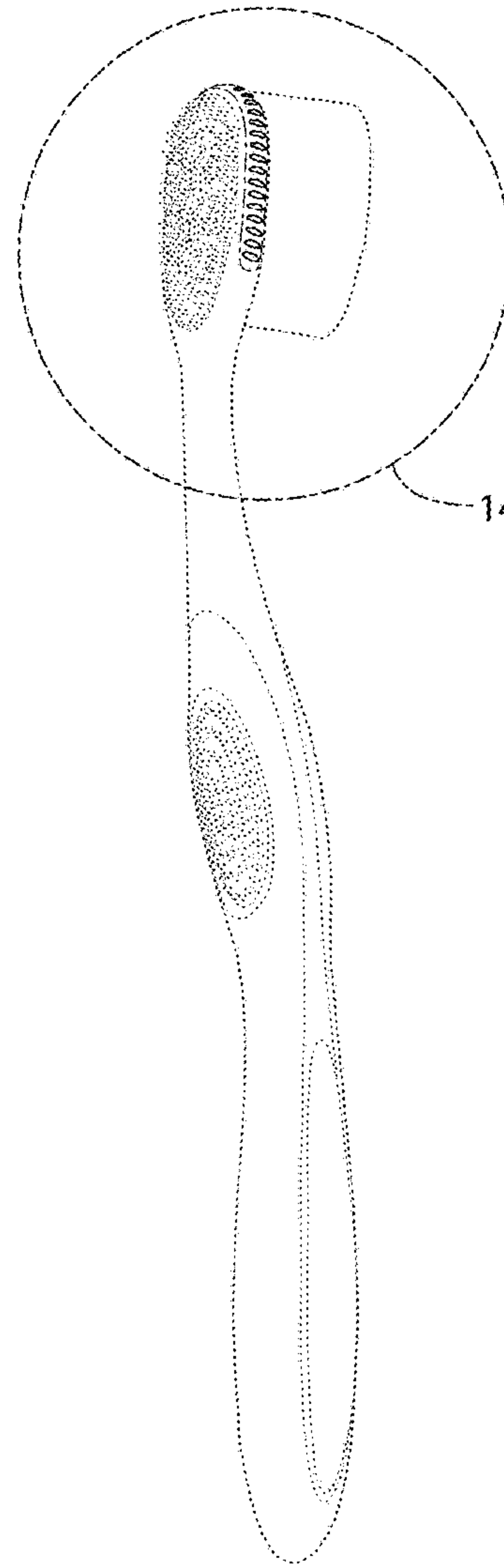


FIG. 4

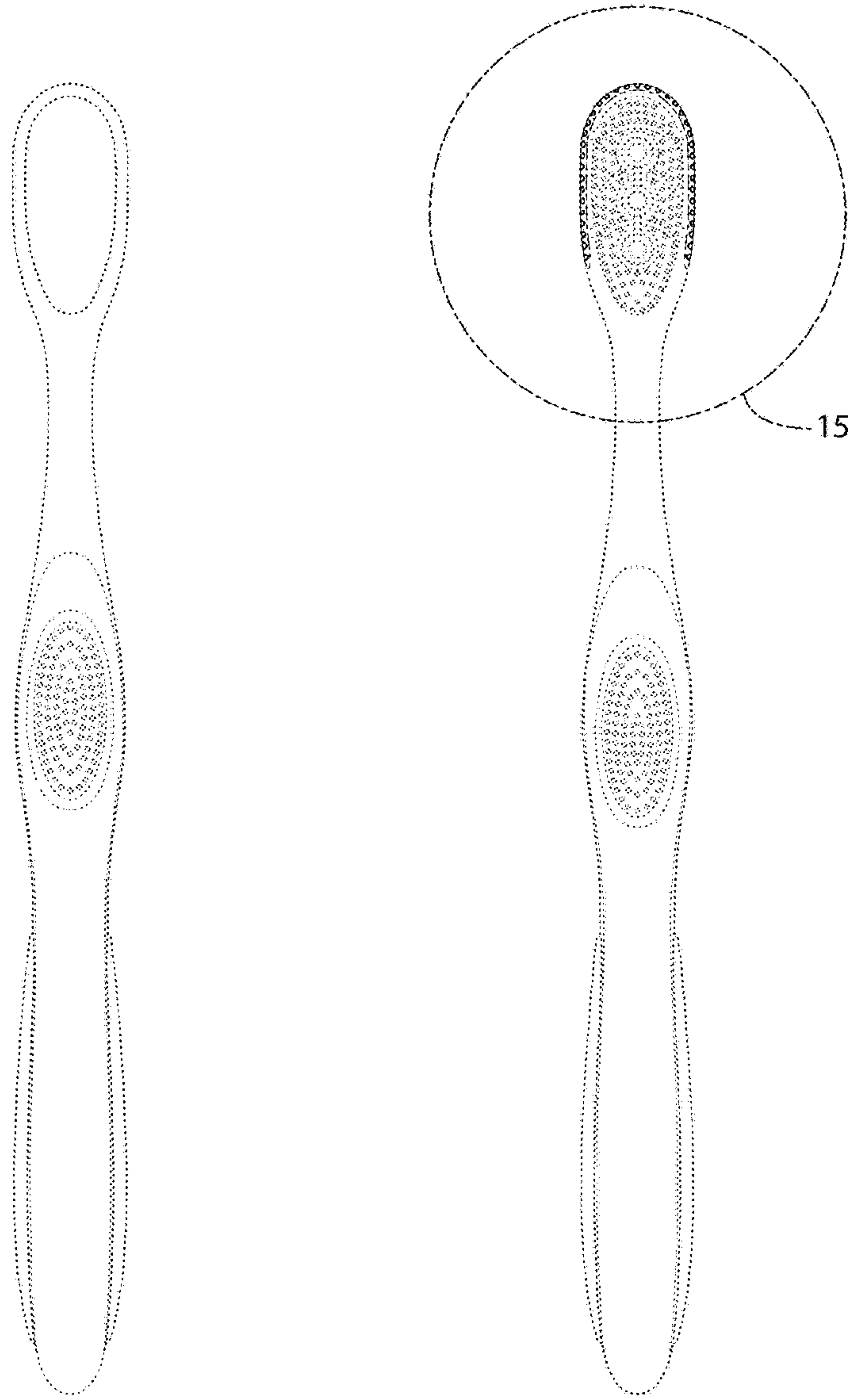


FIG. 5

FIG. 6

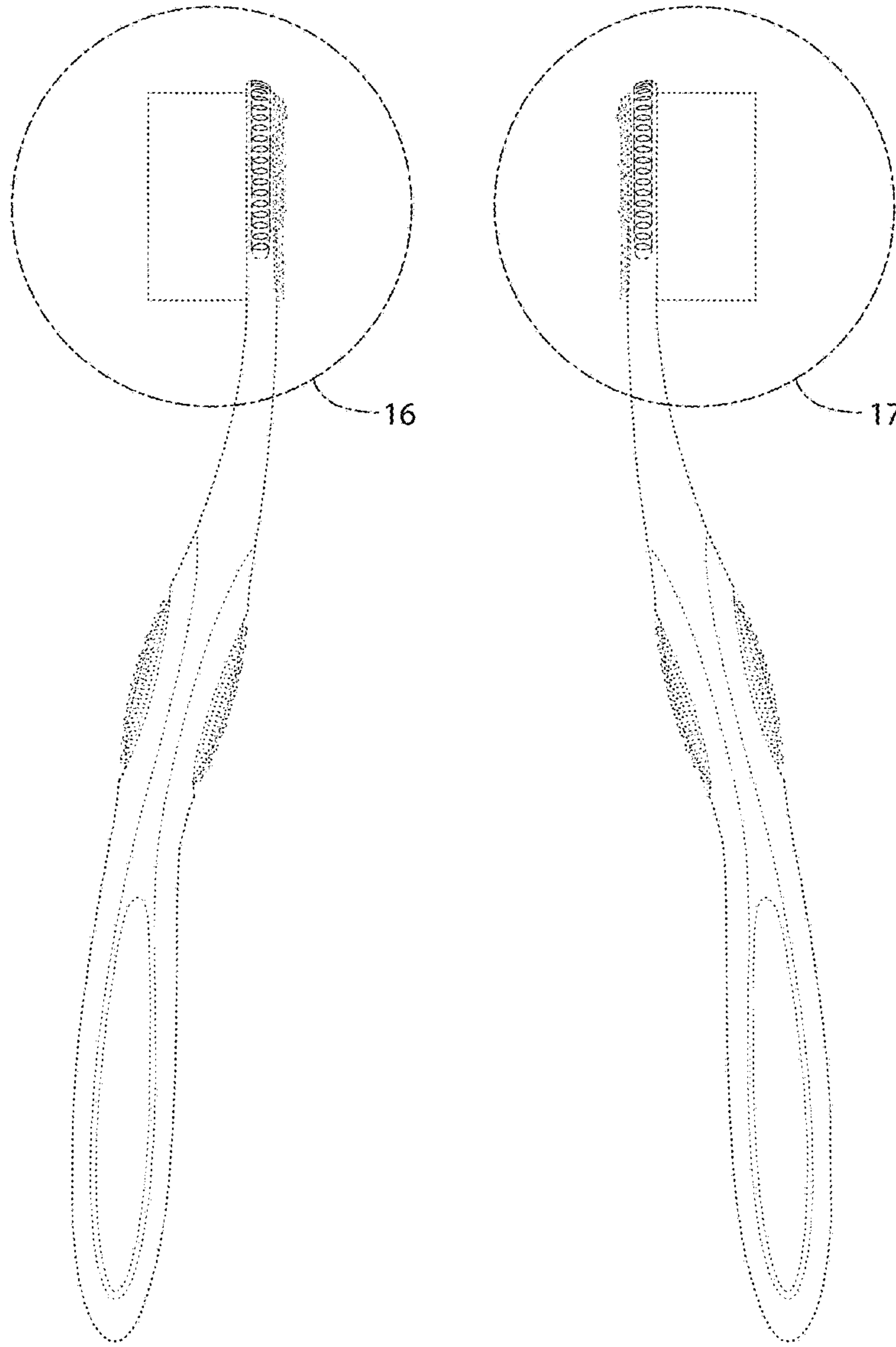


FIG. 7

FIG. 8

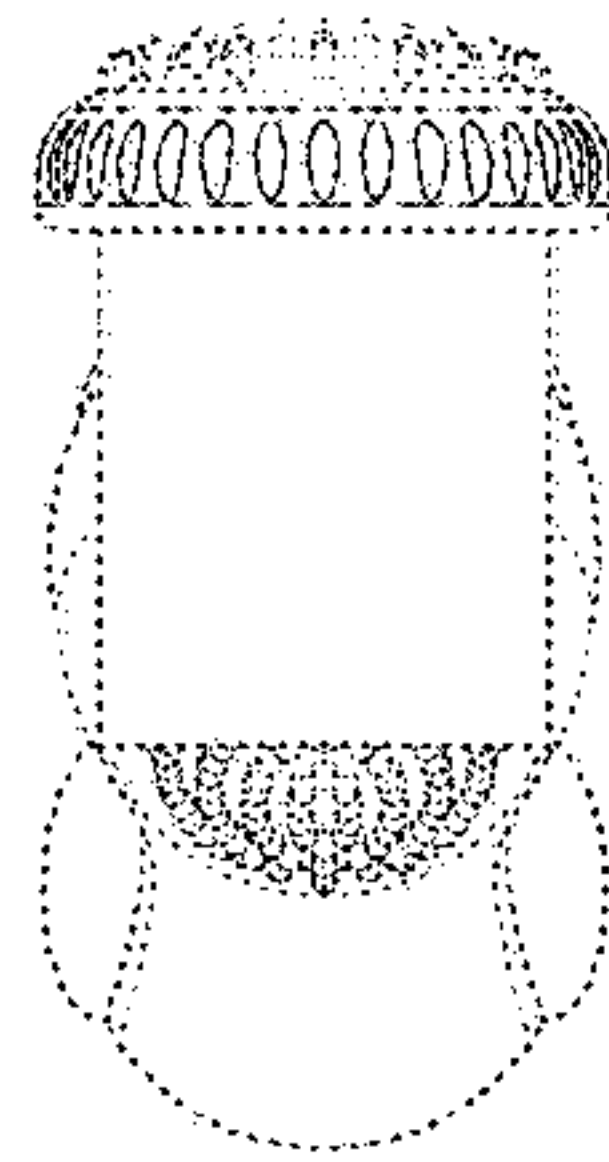


FIG. 9

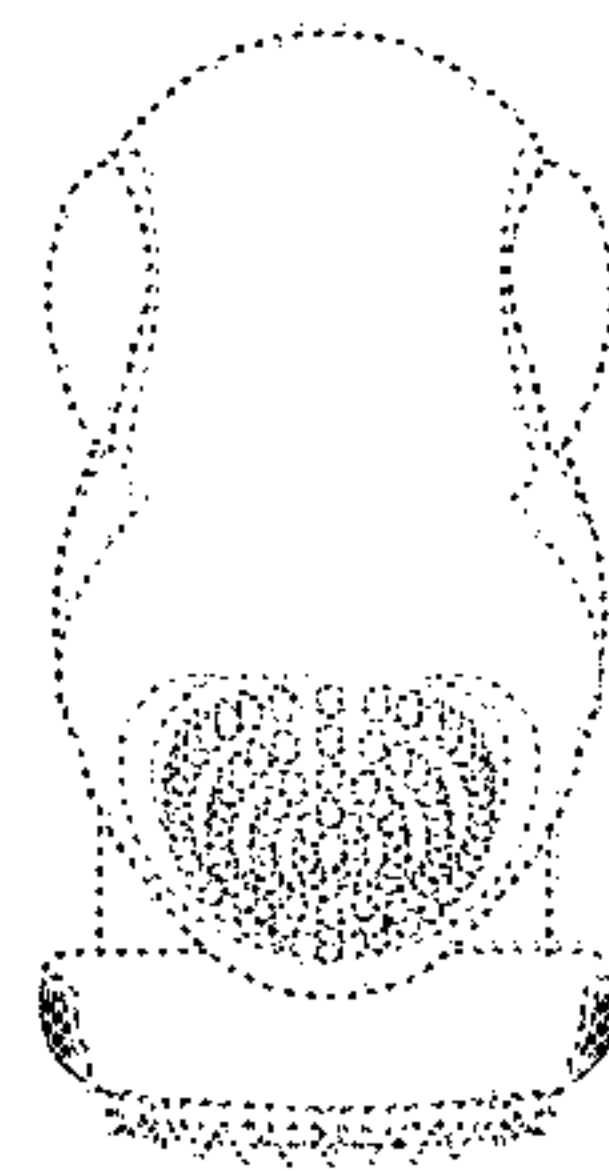


FIG. 10

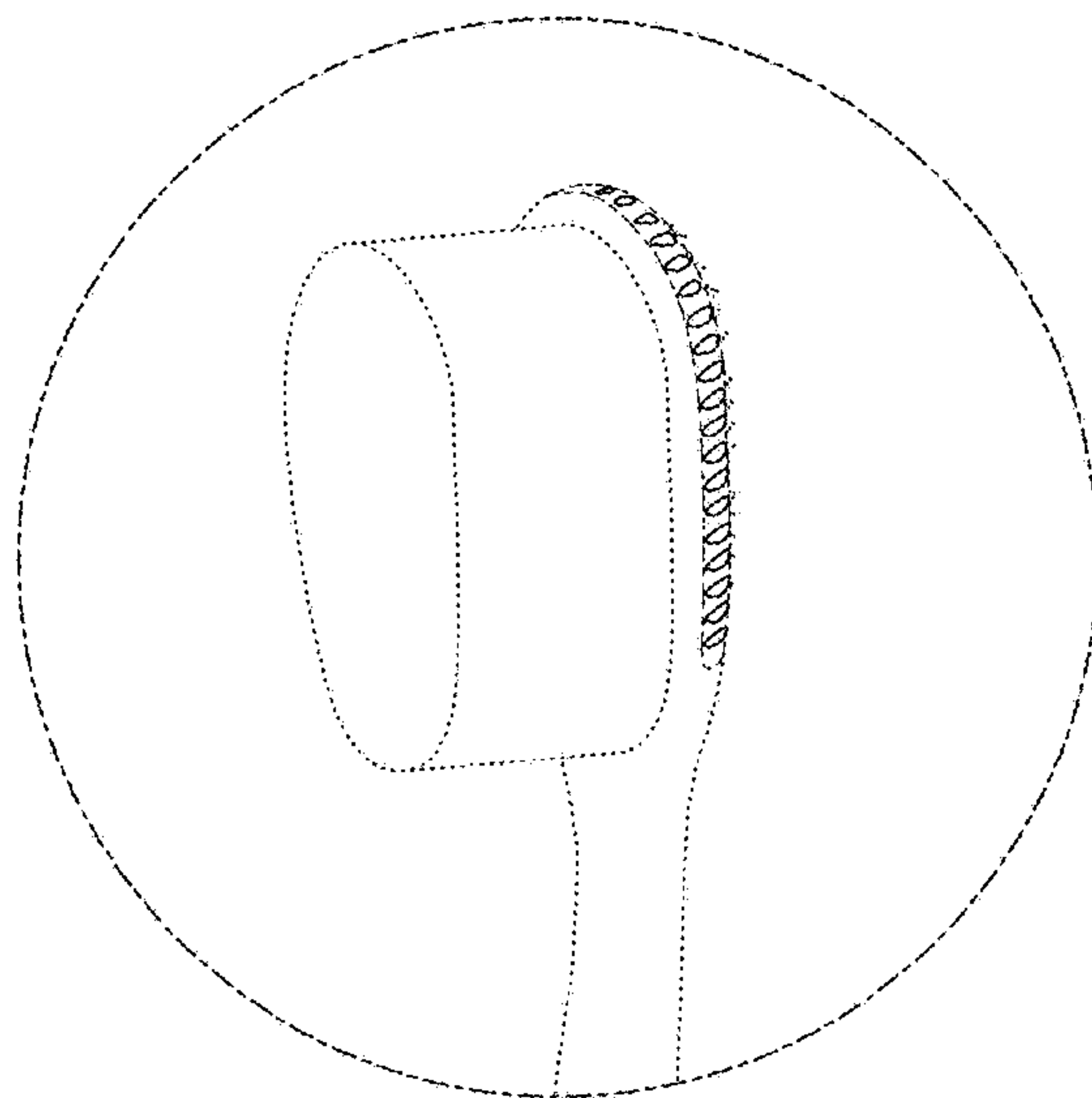


FIG. 11

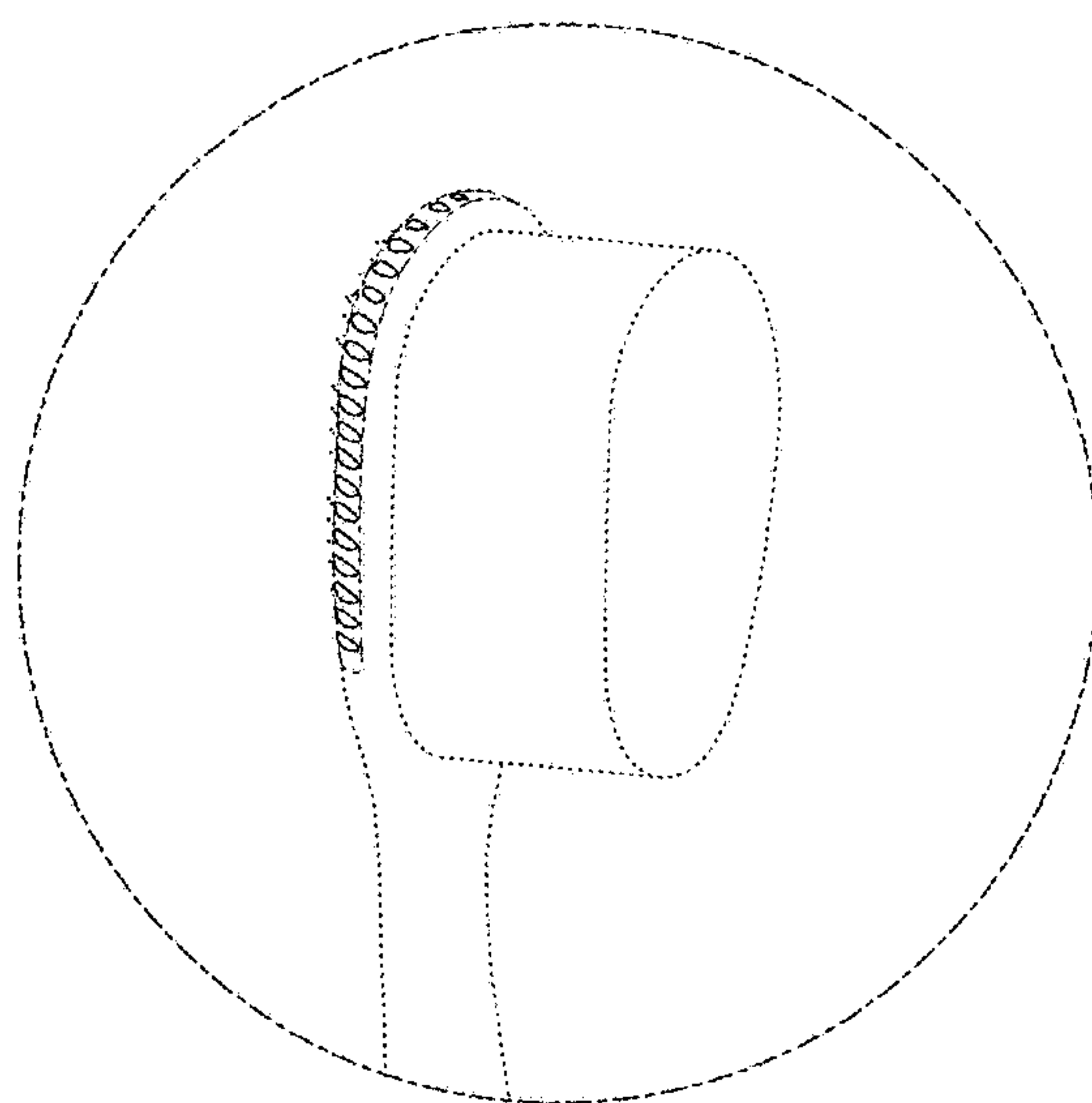


FIG. 12

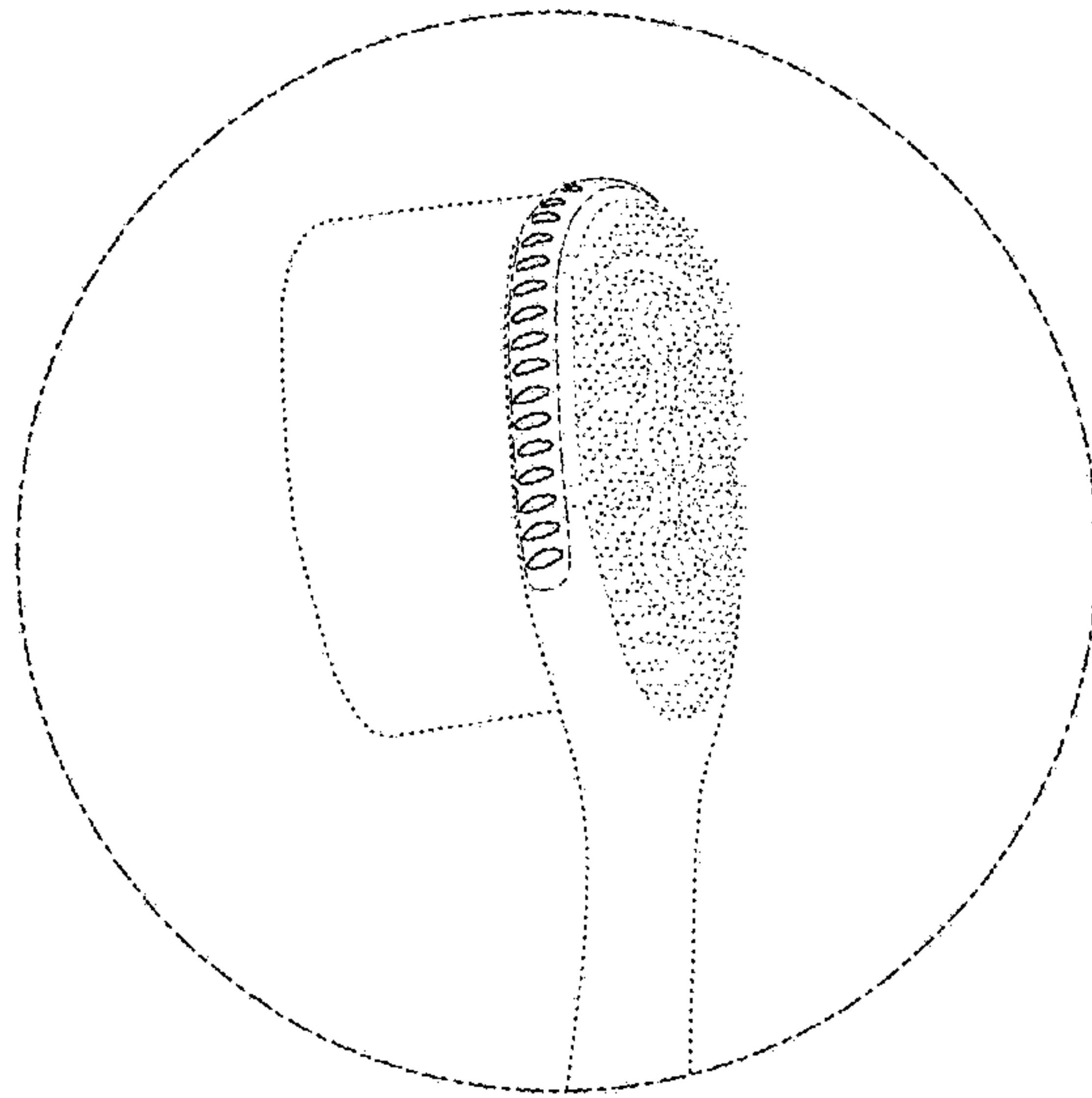


FIG. 13

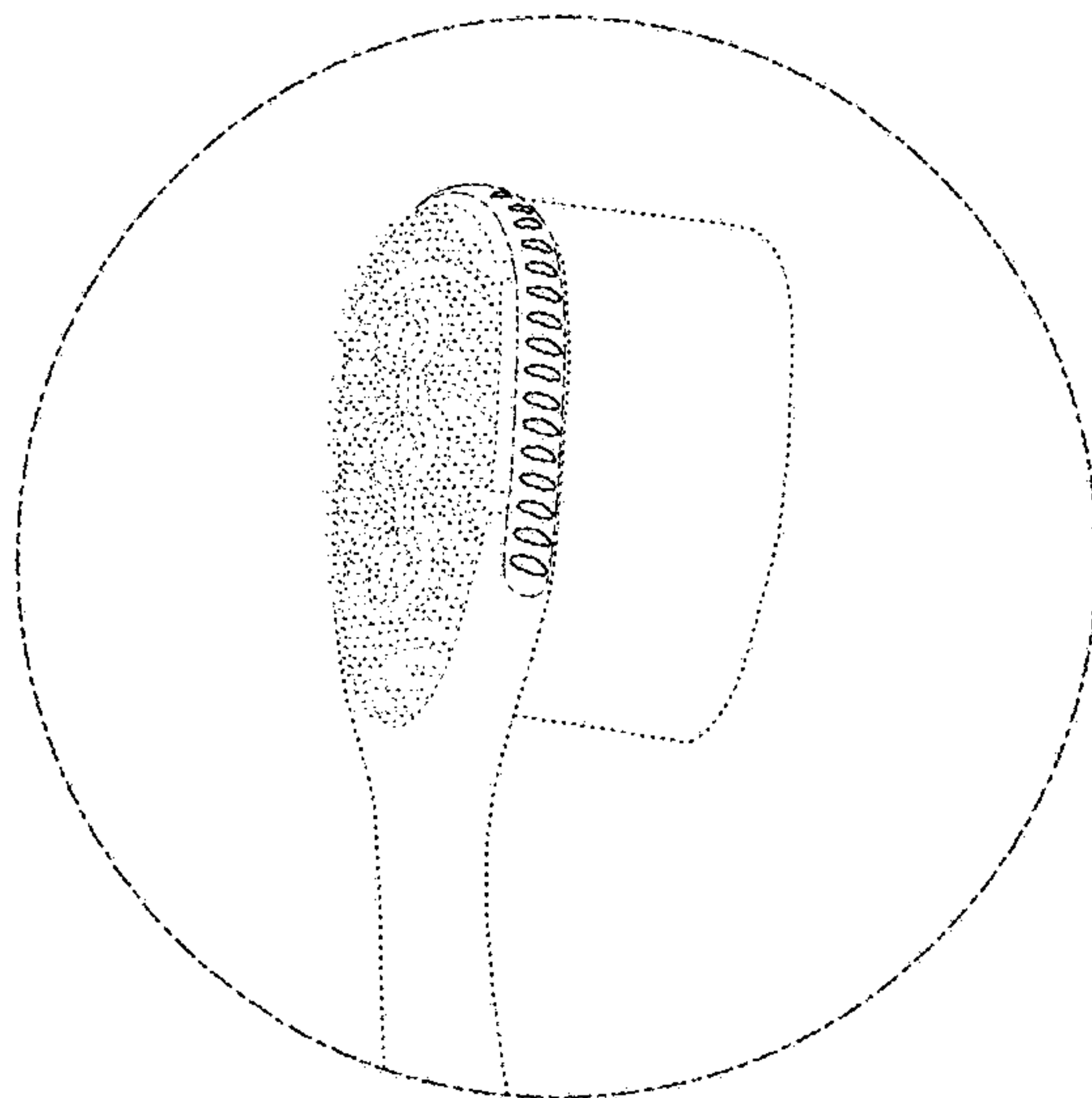


FIG. 14

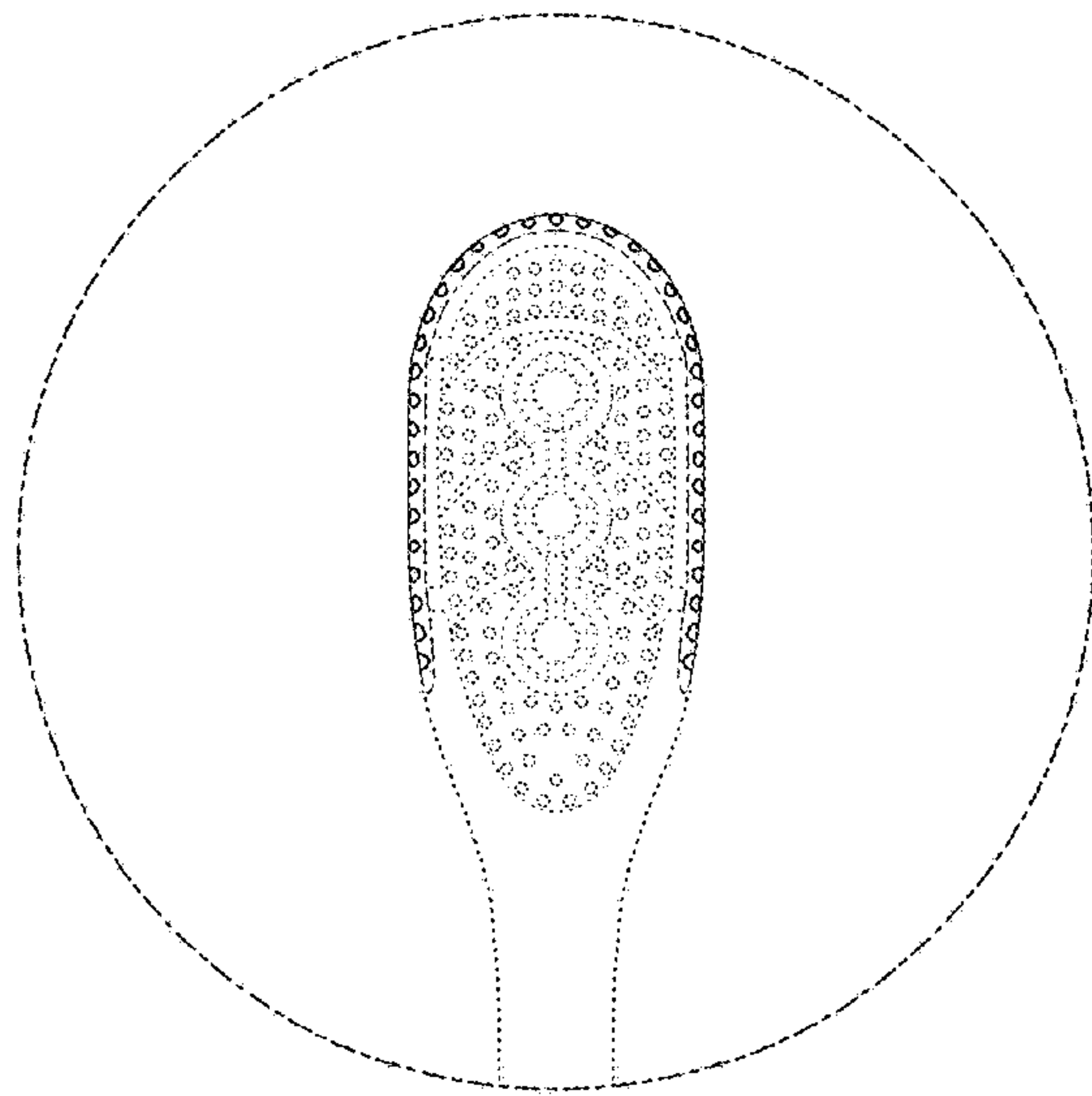


FIG. 15

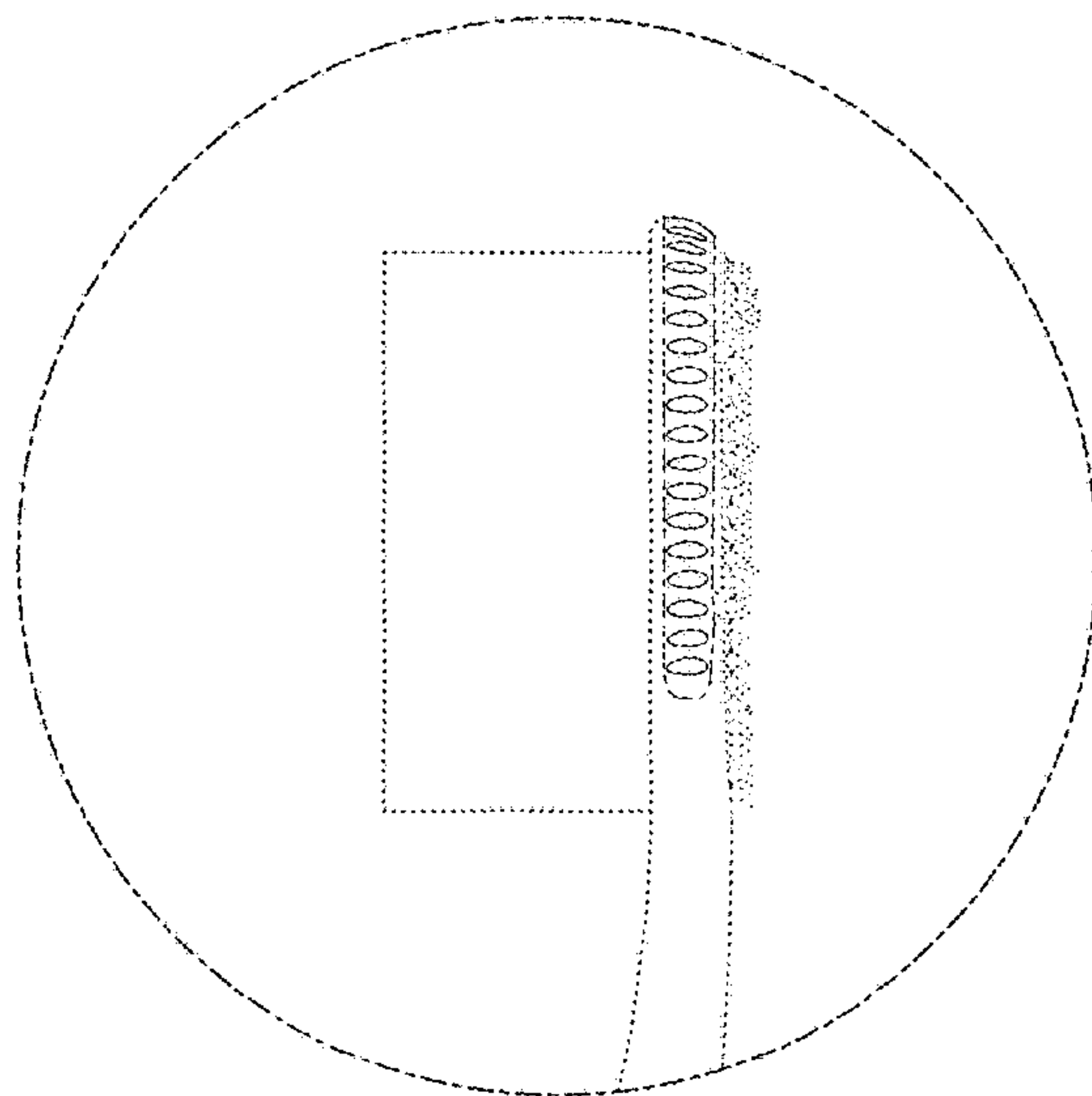


FIG. 16

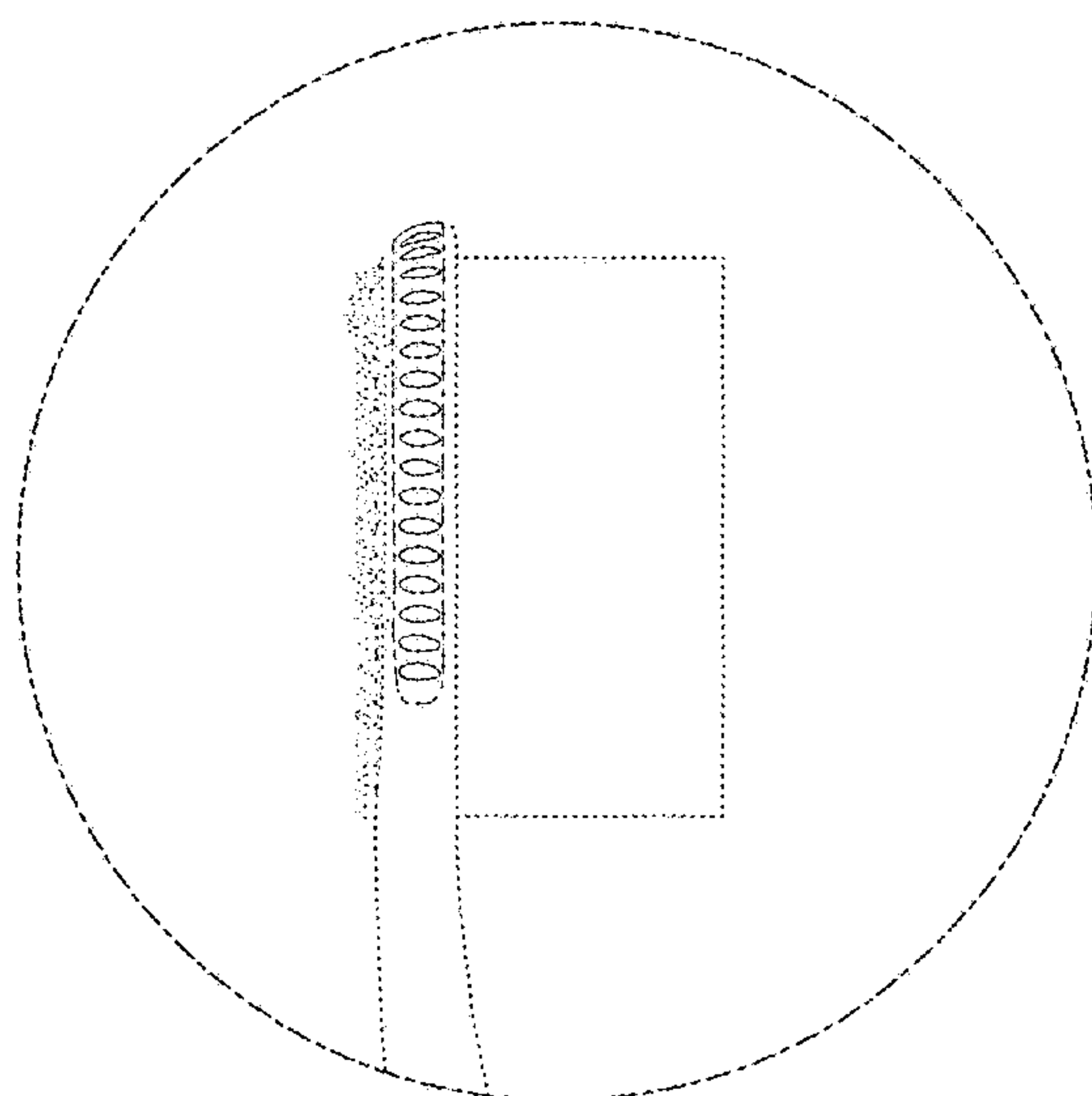


FIG. 17

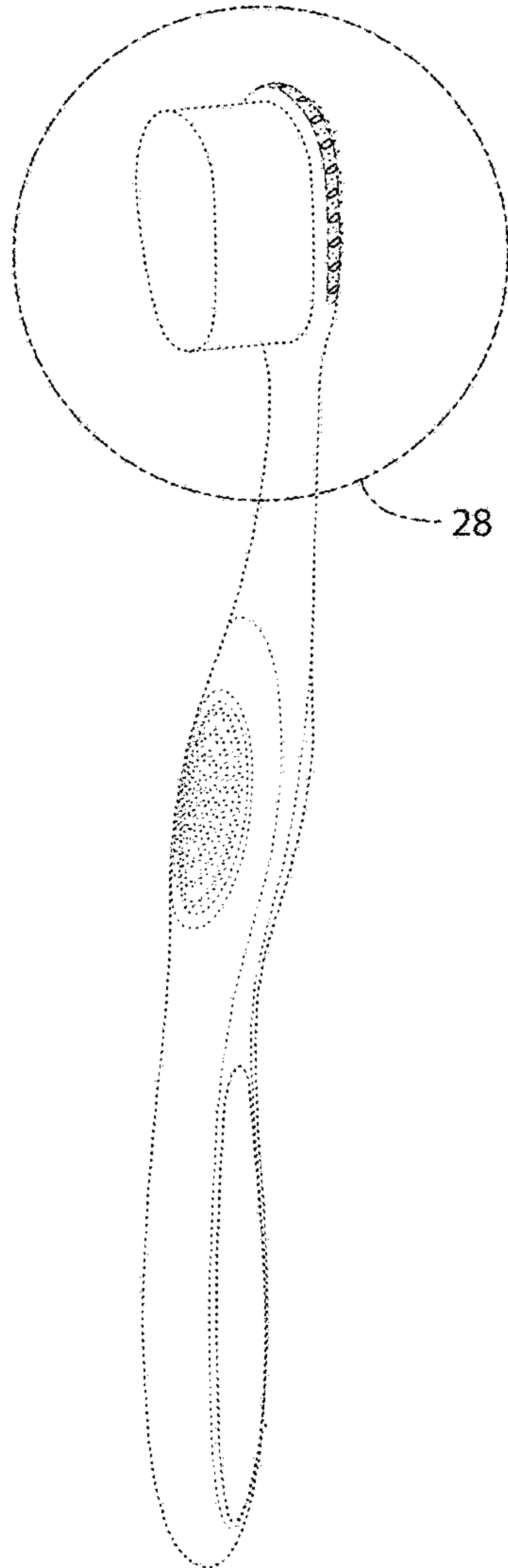


FIG. 18

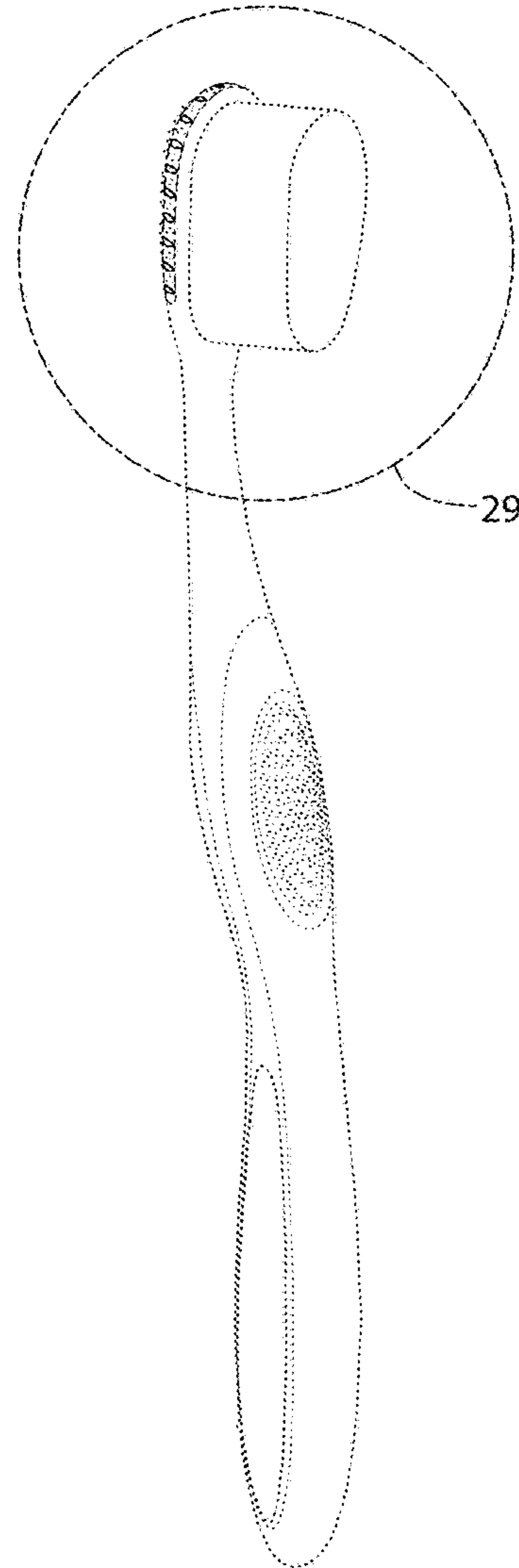


FIG. 19

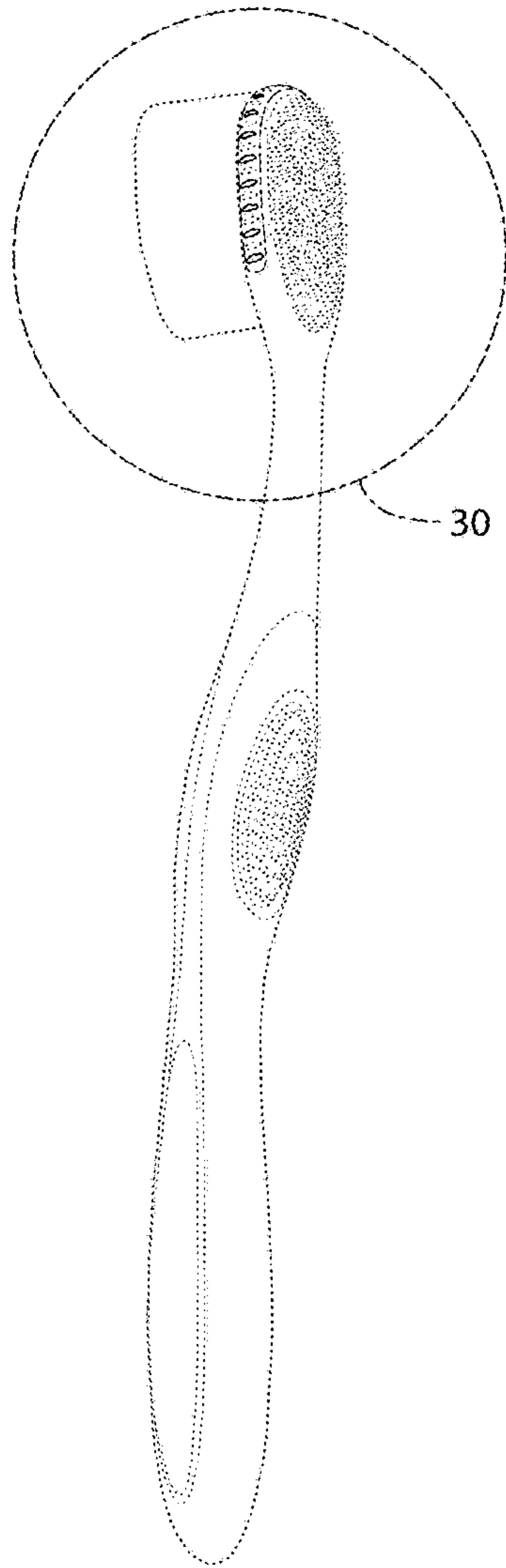


FIG. 20

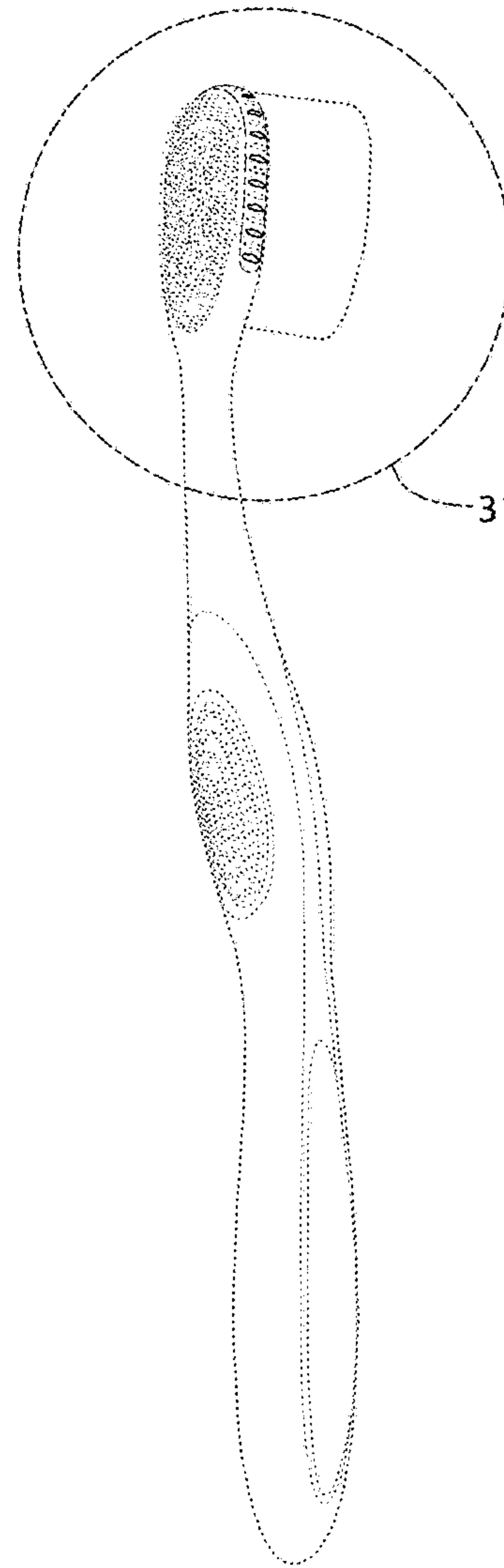


FIG. 21

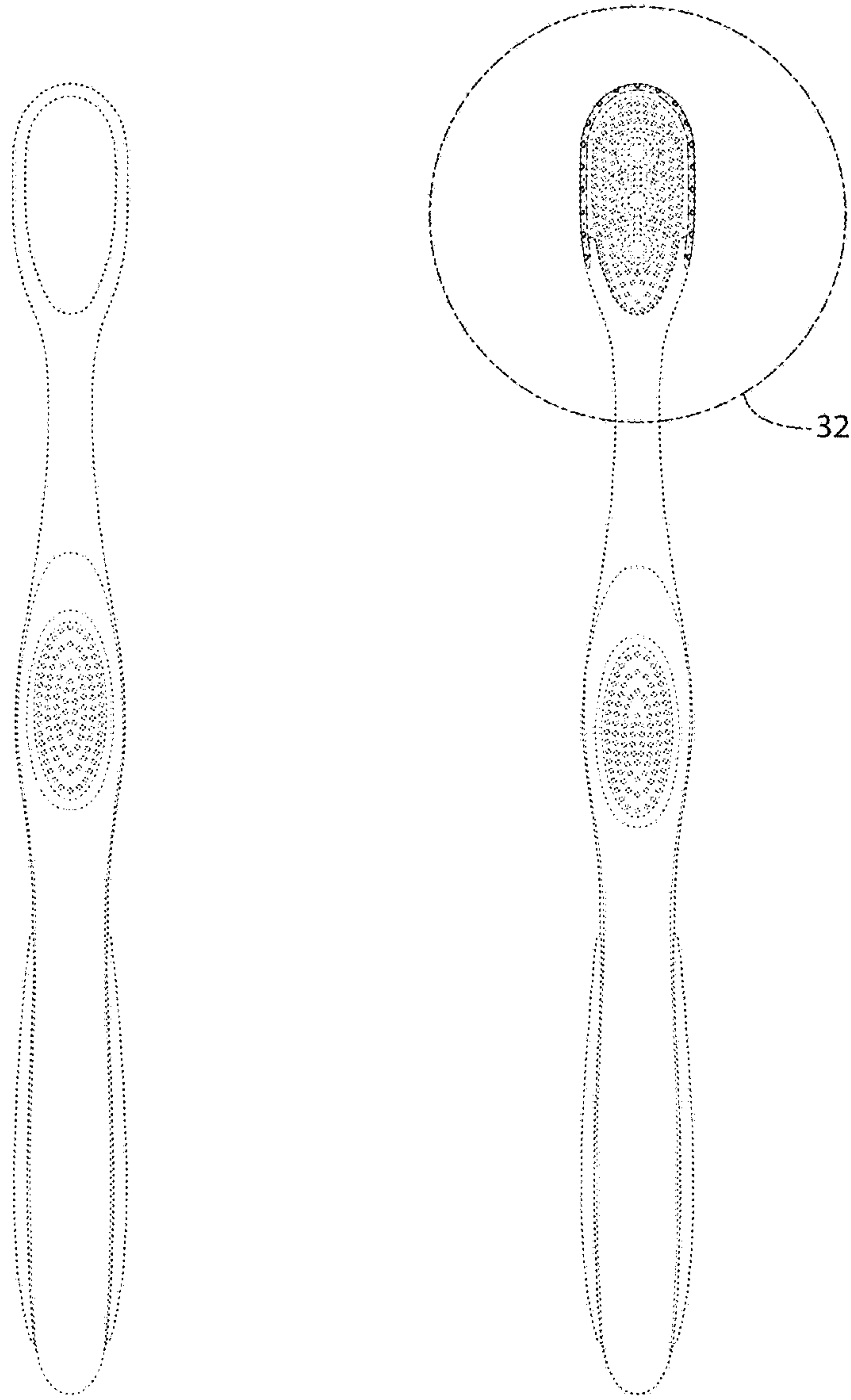
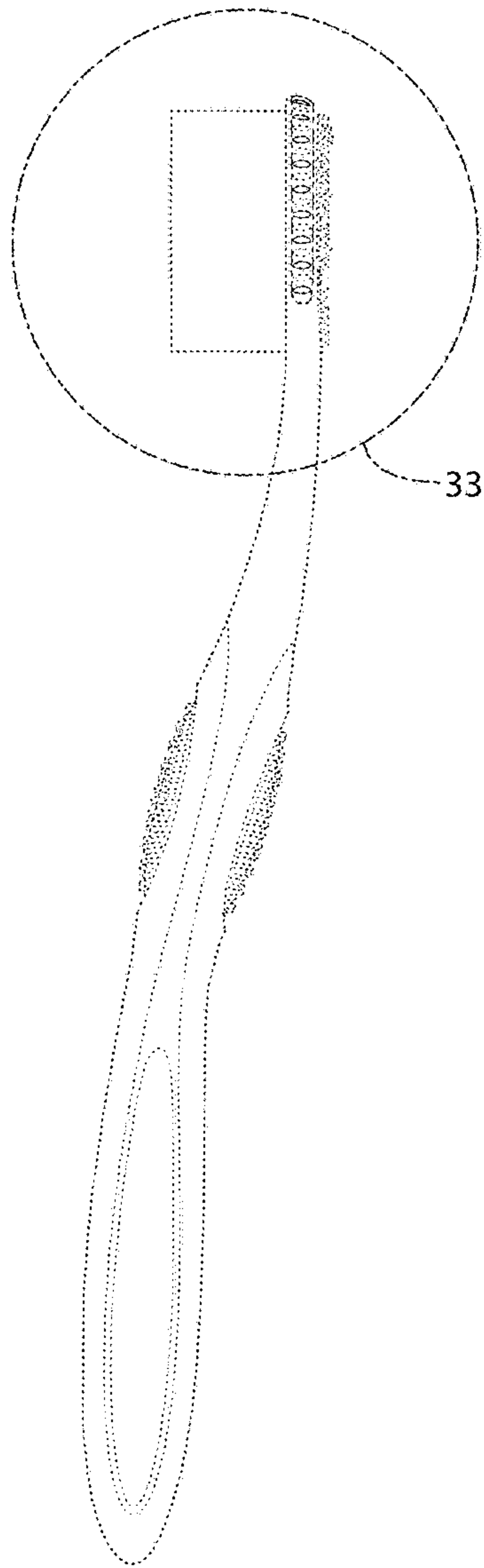


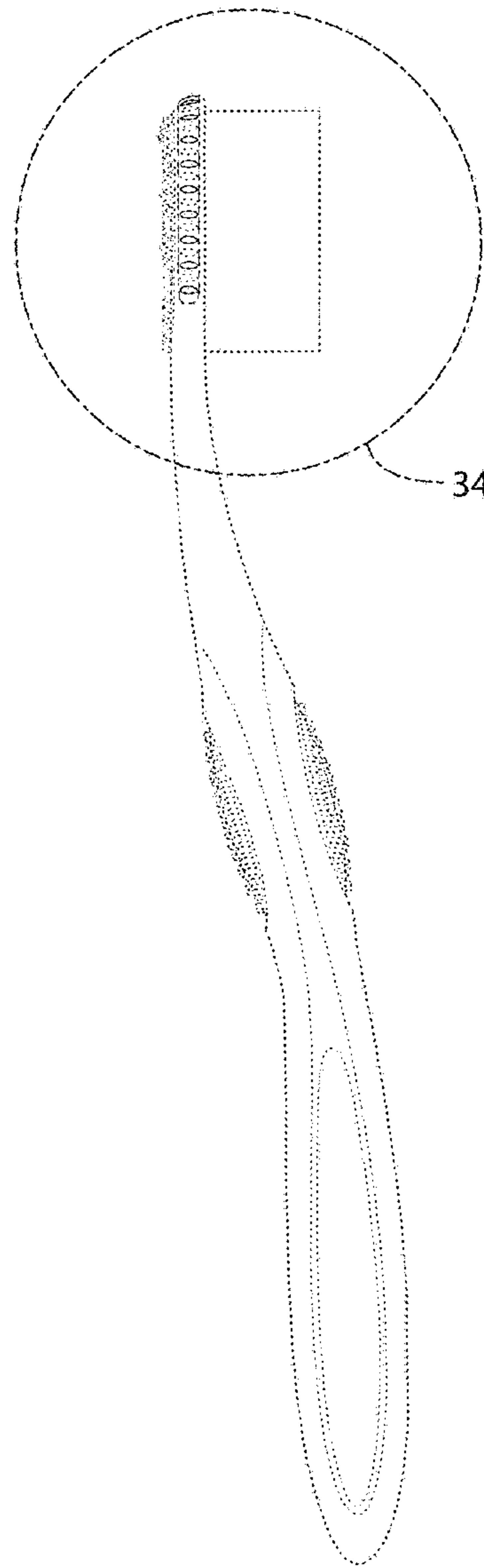
FIG. 22

FIG. 23



33

FIG. 24



34

FIG. 25

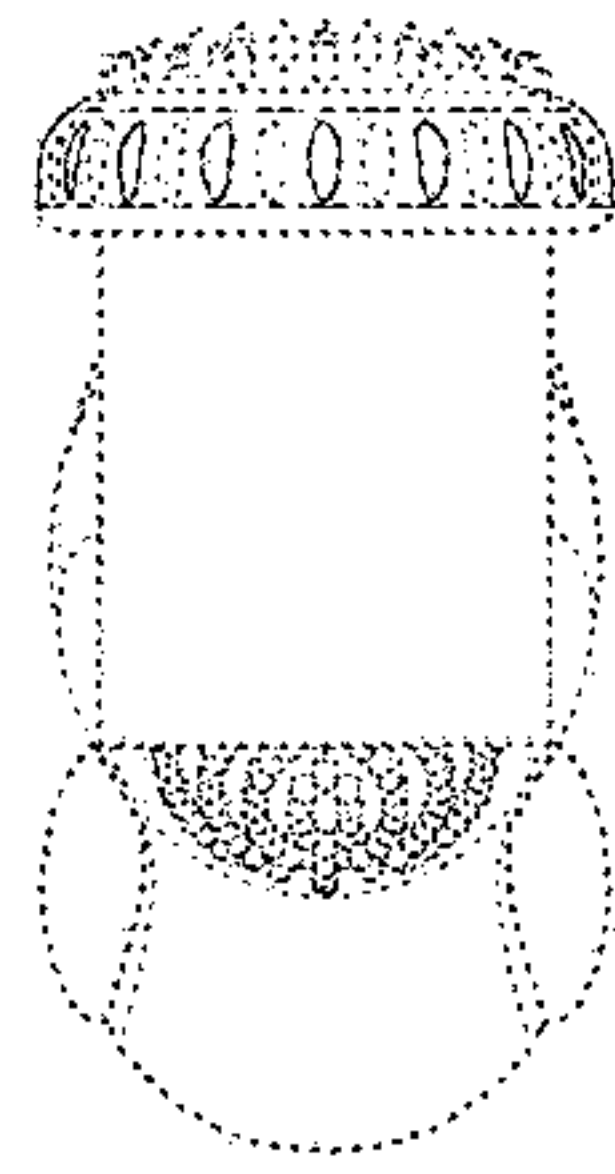


FIG. 26

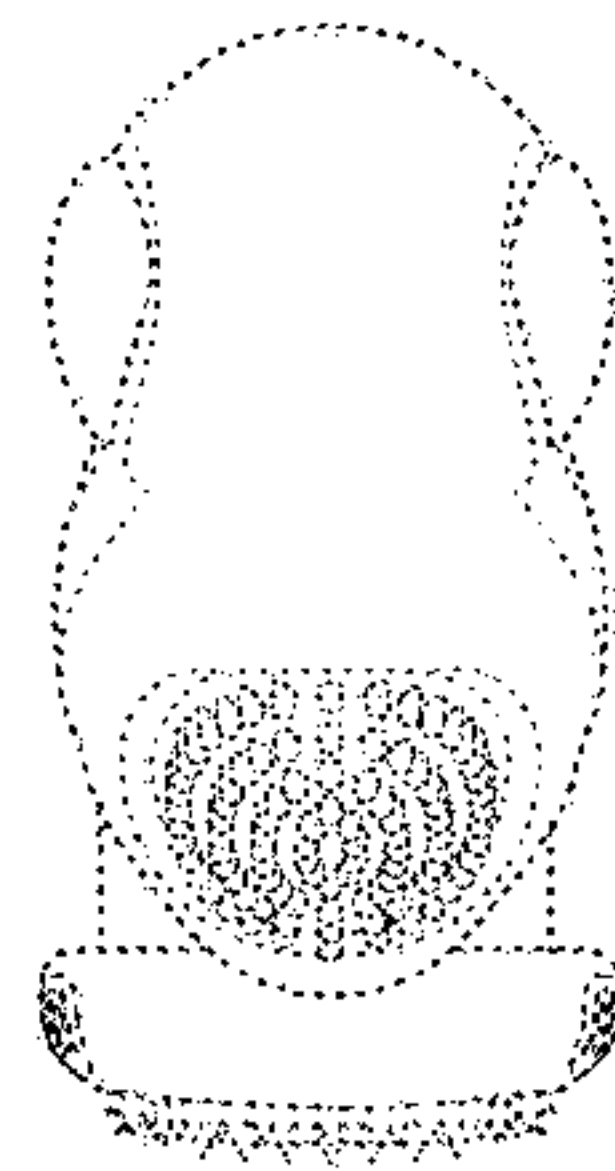


FIG. 27

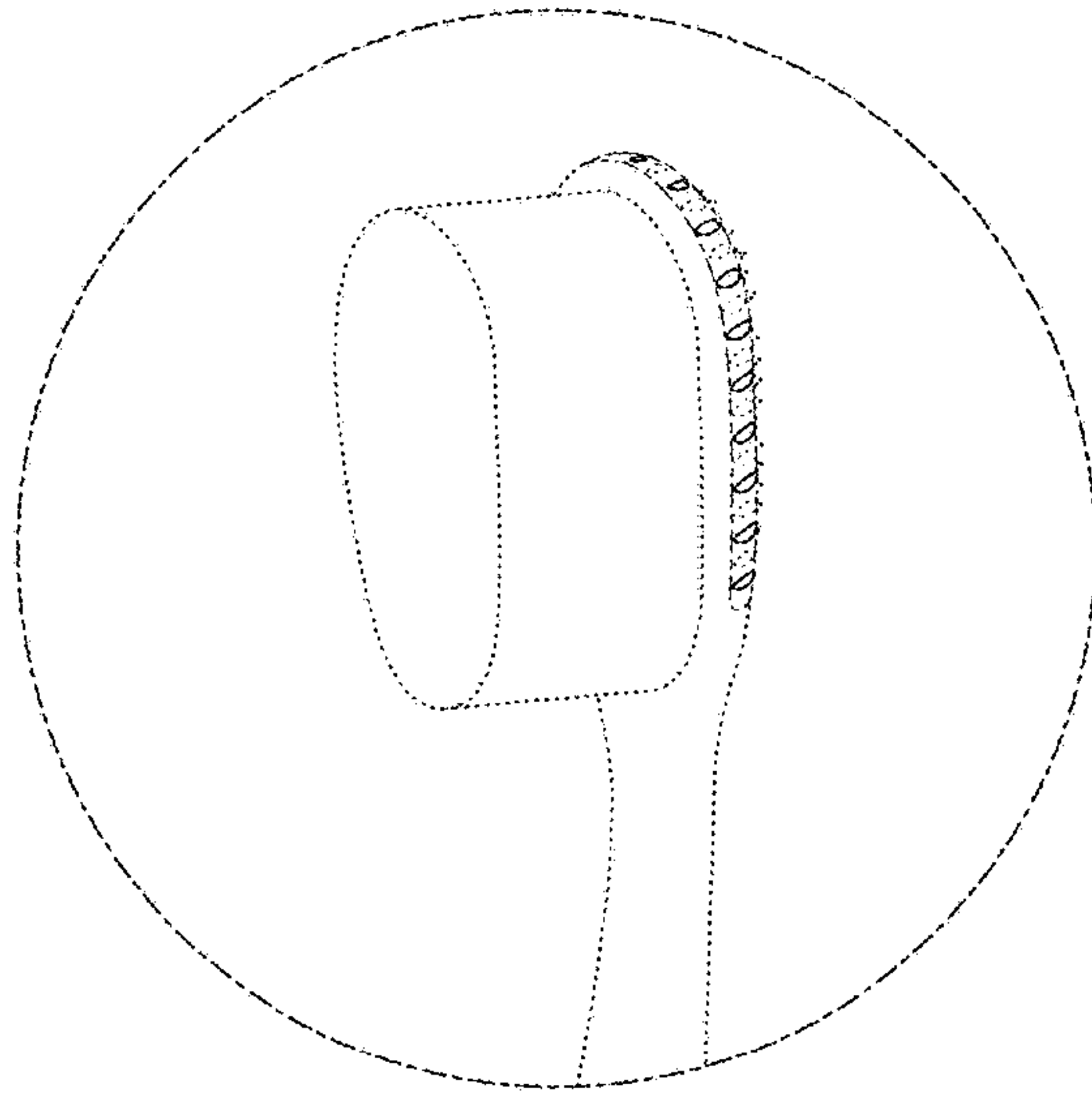


FIG. 28

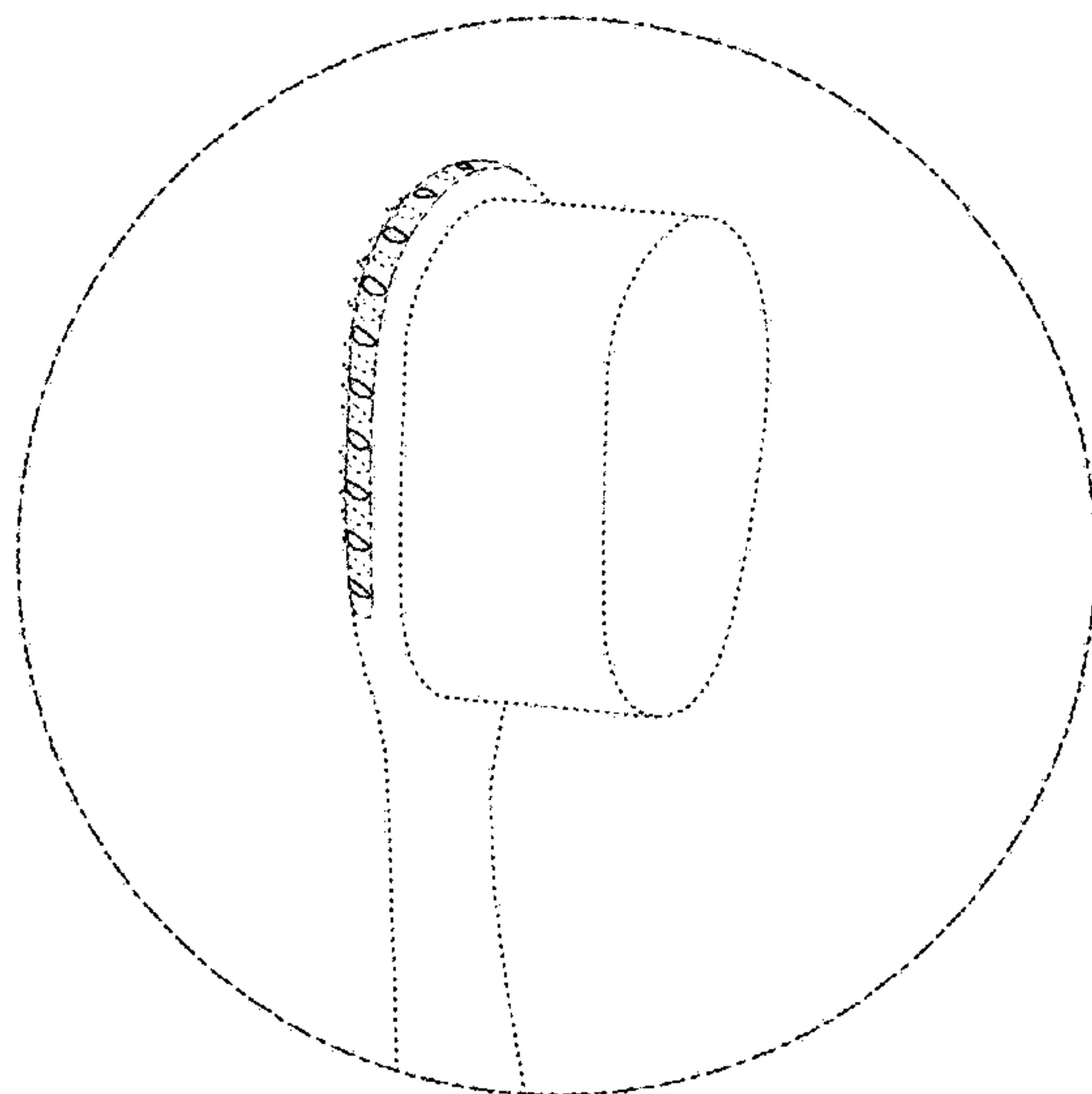


FIG. 29

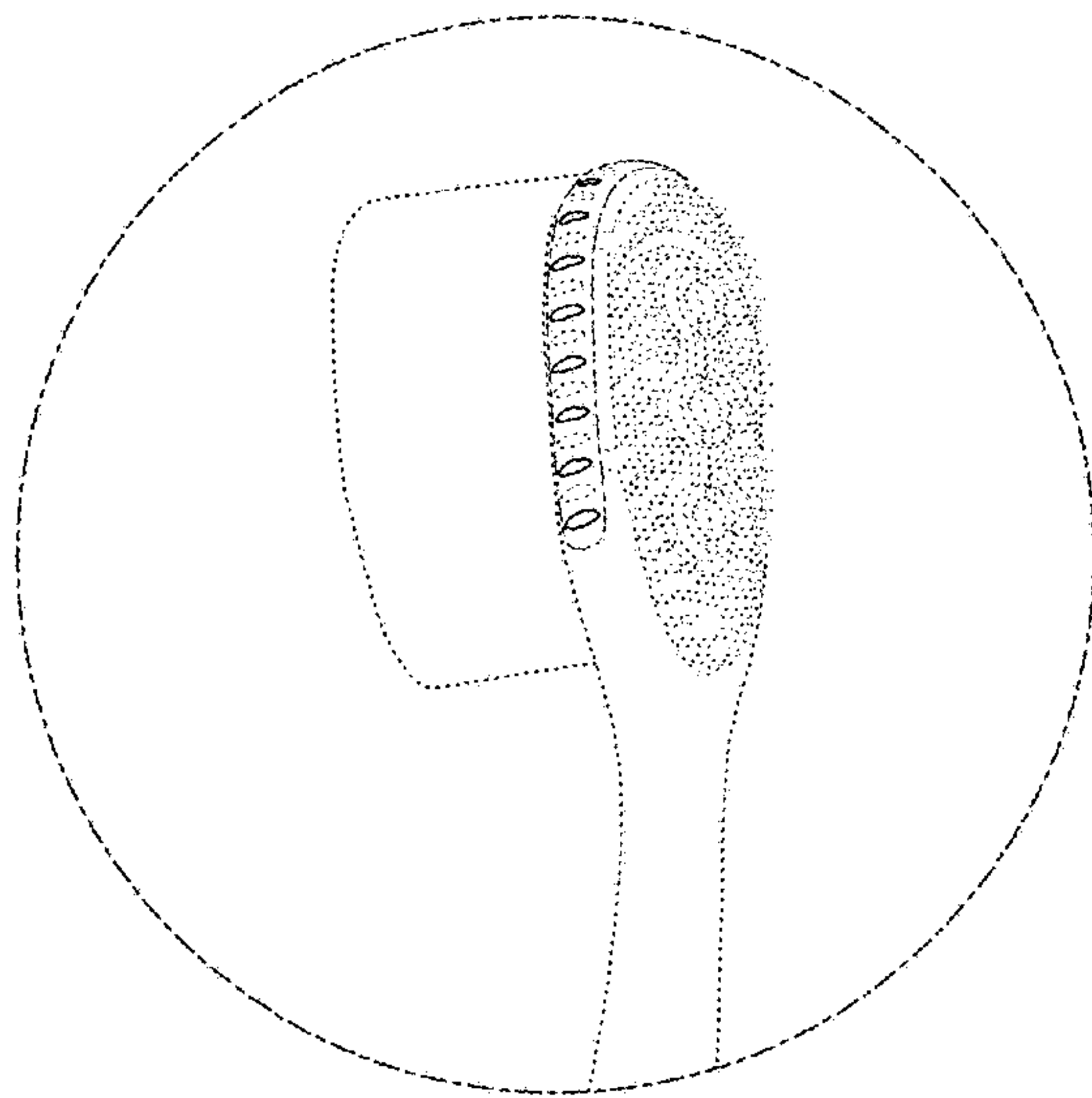


FIG. 30

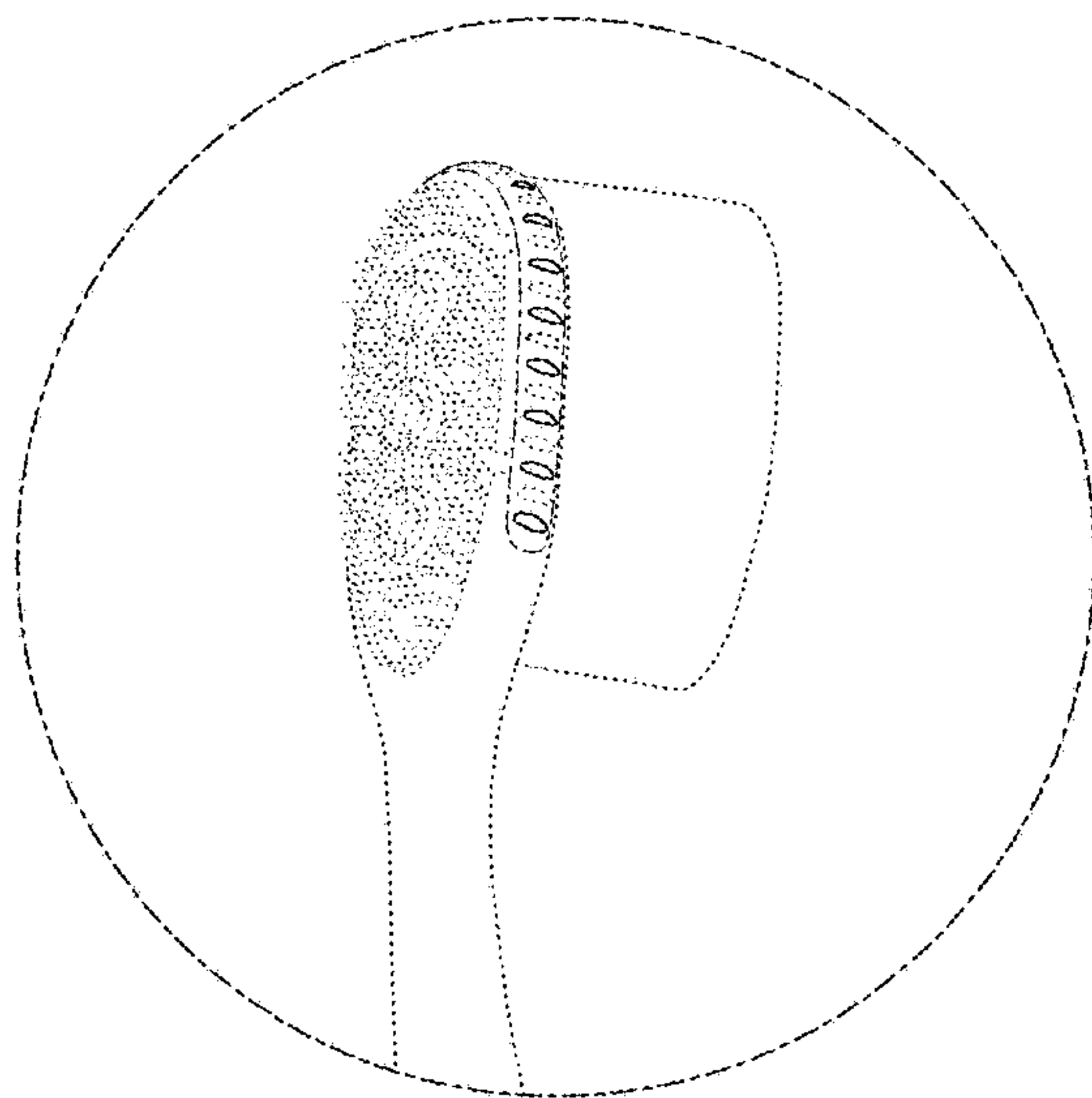


FIG. 31

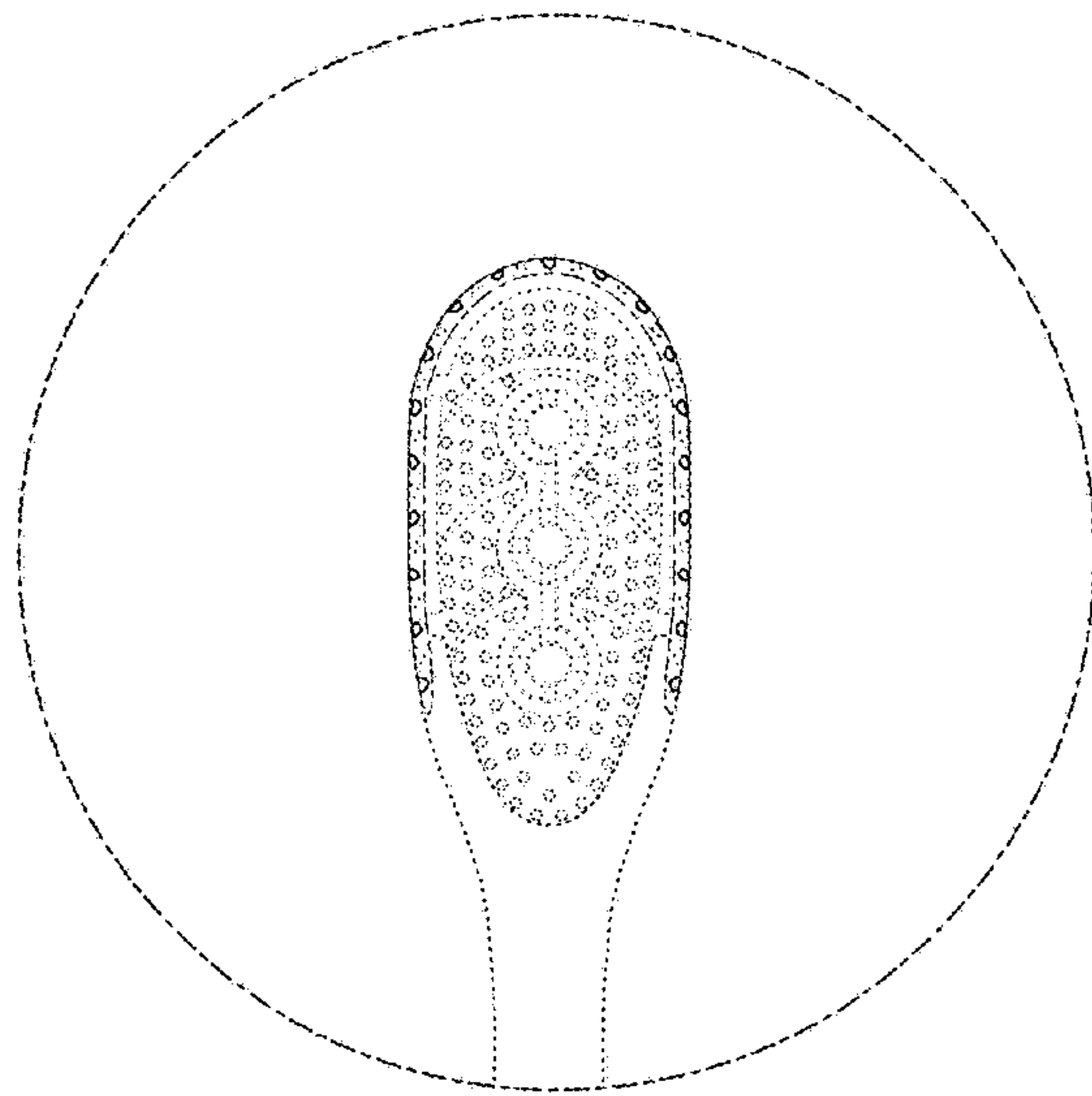


FIG. 32

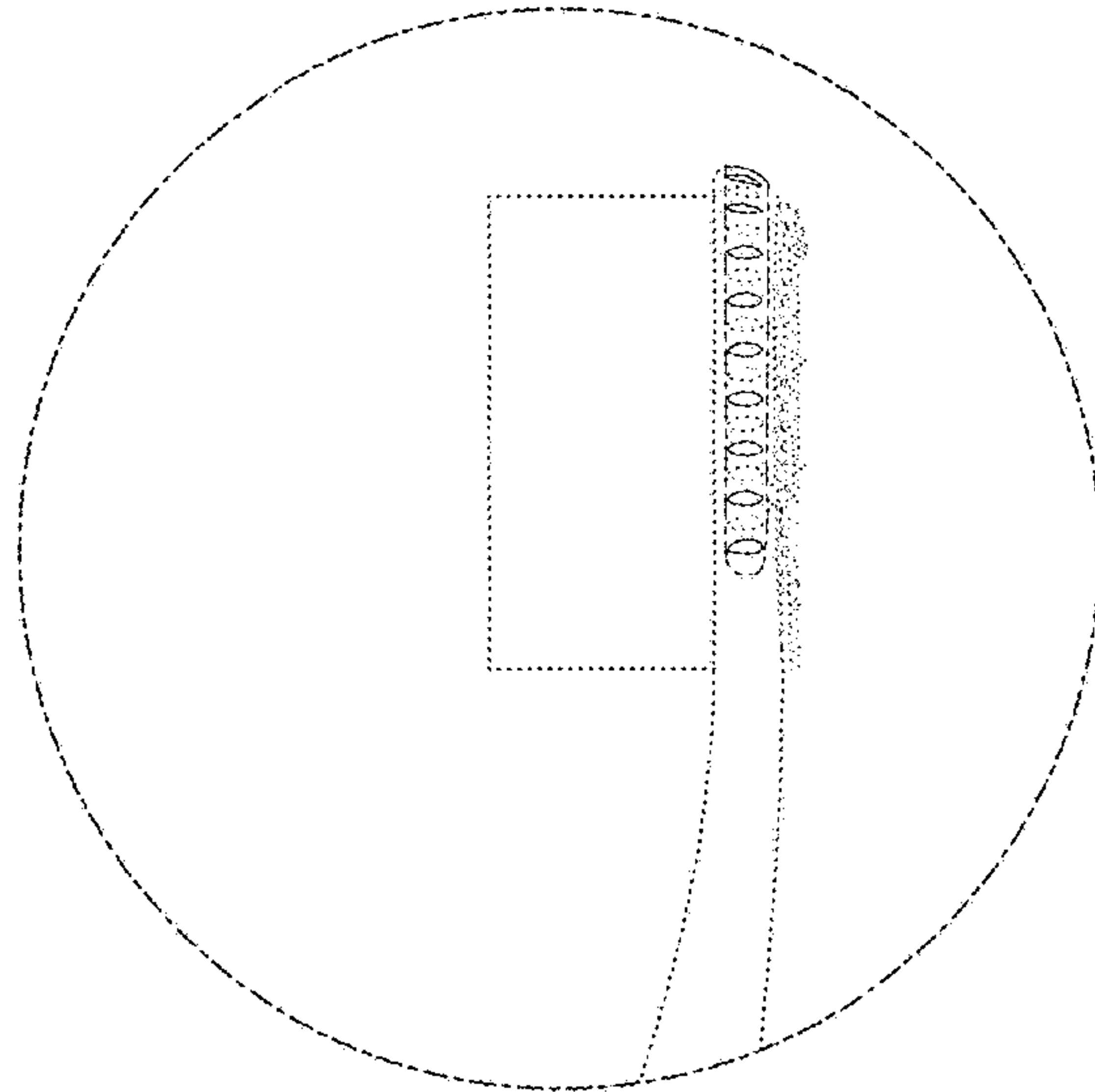


FIG. 33

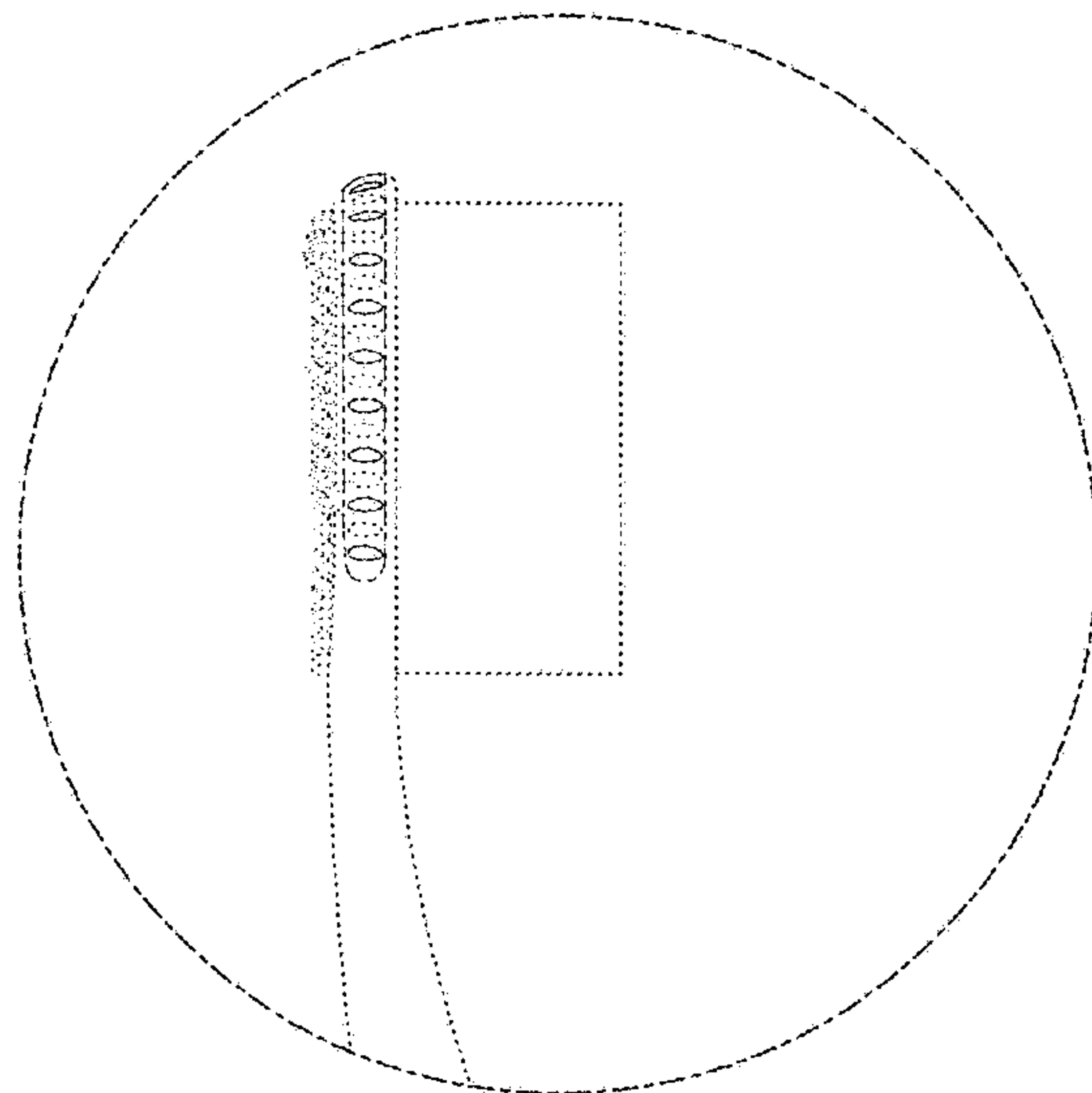


FIG. 34