



US00D841330S

(12) **United States Design Patent** (10) **Patent No.:** **US D841,330 S**  
**Karl** (45) **Date of Patent:** **\*\* Feb. 26, 2019**

(54) **LUGGAGE WHEEL FORK WITH A WHEEL** 2,980,944 A 4/1961 Bolinger  
2,987,752 A 6/1961 Black  
(71) Applicant: **Samsonite IP Holdings S.a r.l.**, 3,102,744 A 9/1963 Reuter et al.  
Luxembourg (LU) 3,214,786 A 11/1965 Butsch  
3,222,708 A 12/1965 Butsch  
(72) Inventor: **Philip J. Karl**, Rehoboth, MA (US) 3,922,754 A 12/1975 Andersen  
4,027,898 A 6/1977 Steen  
(73) Assignee: **Samsonite IP Holdings S.a r.l.**, Luxembourg (LU) (Continued)

(\*\*) Term: **15 Years**  
(21) Appl. No.: **29/633,913**  
(22) Filed: **Jan. 17, 2018**

FOREIGN PATENT DOCUMENTS

CA 2720562 A1 10/2009  
CN 1315837 A 10/2001  
(Continued)

*Primary Examiner* — Holly H Baynham  
(74) *Attorney, Agent, or Firm* — Dorsey & Whitney LLP

**Related U.S. Application Data**

(62) Division of application No. 29/569,350, filed on Jun. 27, 2016, now Pat. No. Des. 811,090.  
(51) **LOC (11) Cl.** ..... **03-01**  
(52) **U.S. Cl.**  
USPC ..... **D3/318; D8/375**  
(58) **Field of Classification Search**  
USPC ..... D3/318; D8/375  
CPC ..... B62B 5/04; B60B 33/00  
See application file for complete search history.

(57) **CLAIM**

The ornamental design for a luggage wheel fork with a wheel, as shown and described.

**DESCRIPTION**

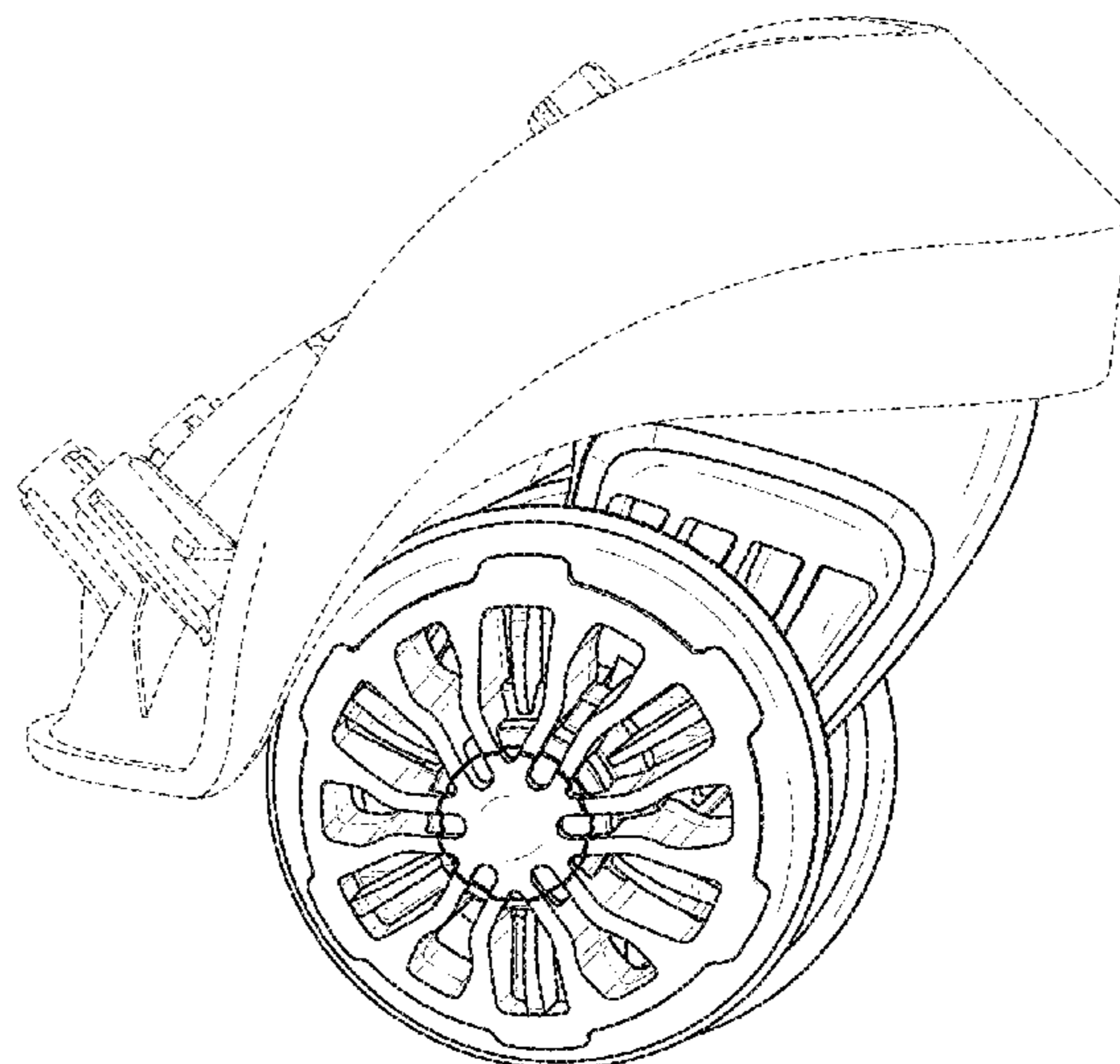
FIG. 1 shows a front perspective view of a luggage wheel fork with a wheel;  
FIG. 2 shows a right elevation view of the luggage wheel fork with a wheel of FIG. 1;  
FIG. 3 shows a left elevation view of the luggage wheel fork with a wheel of FIG. 1;  
FIG. 4 shows a front elevation view of the luggage wheel fork with a wheel of FIG. 1;  
FIG. 5 shows a rear elevation view of the luggage wheel fork with a wheel of FIG. 1;  
FIG. 6 shows a top view of the luggage wheel fork with a wheel of FIG. 1; and,  
FIG. 7 shows a bottom view of the luggage wheel fork with a wheel of FIG. 1.  
The broken lines in FIGS. 1-7 illustrate the environment of the luggage wheel fork with a wheel and form no part of the claimed invention.

(56) **References Cited**

U.S. PATENT DOCUMENTS

72,956 A 12/1867 Young et al.  
128,925 A 7/1872 Taylor  
D47,390 S 5/1915 Schwab  
1,936,701 A 11/1933 Wilson  
1,940,823 A 12/1933 Shinn  
2,086,557 A 7/1937 Kaptuller  
D114,527 S 5/1939 Boden  
2,738,542 A 3/1956 Clark, Jr.  
2,830,545 A 4/1958 Robinson et al.  
2,914,340 A 11/1959 Black  
2,923,961 A 2/1960 Black  
2,942,290 A 6/1960 Segal

**1 Claim, 7 Drawing Sheets**



(56)

References Cited

U.S. PATENT DOCUMENTS

4,084,288 A 4/1978 Black  
 4,161,803 A 7/1979 Propst  
 4,336,629 A 1/1982 Jarvis, Jr. et al.  
 4,392,668 A 7/1983 Mulholland  
 4,402,521 A 9/1983 Mongeon et al.  
 4,403,784 A 9/1983 Gray  
 4,422,212 A 12/1983 Sheiman et al.  
 4,467,496 A 8/1984 Gregg  
 4,524,482 A 6/1985 Mueller  
 4,649,595 A 3/1987 Shane  
 4,752,986 A 6/1988 Rivkin et al.  
 4,759,097 A 7/1988 Black  
 5,068,943 A 12/1991 Estkowski  
 5,075,924 A 12/1991 Estkowski et al.  
 5,102,107 A 4/1992 Simon et al.  
 D359,676 S 6/1995 Liang  
 5,533,231 A 7/1996 Bai  
 5,615,450 A 4/1997 Butler  
 5,634,538 A 6/1997 Tsai  
 D384,629 S 10/1997 Nagashima  
 5,785,154 A 7/1998 Chen  
 5,961,131 A 10/1999 Hilgarth  
 5,967,535 A 10/1999 King  
 D421,338 S 3/2000 Moon  
 D433,088 S 10/2000 Galy  
 D434,904 S 12/2000 Huang  
 6,193,324 B1 2/2001 Chan  
 D438,382 S 3/2001 Chang  
 D439,410 S 3/2001 Chang  
 6,256,835 B1 7/2001 Wang  
 D448,278 S 9/2001 Chi  
 D448,826 S 10/2001 Galy  
 6,322,156 B1 11/2001 Kuo  
 6,354,412 B1 3/2002 Kuo  
 6,357,793 B1 3/2002 Dickie et al.  
 6,409,196 B1 6/2002 McFarland  
 6,478,315 B1 11/2002 Manesis  
 D470,748 S 2/2003 Tsai  
 6,532,623 B1 3/2003 Watanabe  
 D473,379 S 4/2003 Moon  
 6,539,578 B1 4/2003 Guttmann et al.  
 D474,024 S 5/2003 Santy  
 D476,484 S 7/2003 Santy et al.  
 D481,931 S 11/2003 Chi  
 D482,265 S 11/2003 Wicha  
 D484,028 S 12/2003 Moon  
 D487,348 S 3/2004 Fenton et al.  
 D491,365 S 6/2004 Proot  
 D492,894 S 7/2004 Cheng  
 6,776,428 B2 8/2004 Strong  
 D496,259 S 9/2004 Cheng  
 6,789,810 B2 9/2004 Strong  
 D505,316 S 5/2005 Topel  
 6,892,421 B2 5/2005 Cooper et al.  
 6,908,087 B2 6/2005 Wintersgill et al.  
 D513,560 S 1/2006 Neumann  
 D525,033 S 7/2006 Neumann  
 D539,543 S 4/2007 Wu  
 D541,047 S 4/2007 Moon  
 D541,048 S 4/2007 Moon  
 7,210,690 B2 5/2007 Yi-Cheng  
 7,213,818 B2 5/2007 Chang  
 D550,950 S 9/2007 Vanderminde  
 D556,555 S 12/2007 Tamara  
 D556,556 S 12/2007 Tamara  
 D557,900 S 12/2007 Sijmons  
 D575,512 S 8/2008 Moon  
 D575,957 S 9/2008 Scicluna et al.  
 D576,407 S 9/2008 Moon  
 7,437,801 B2 10/2008 Dahl  
 D581,161 S 11/2008 Tong  
 D582,160 S 12/2008 Sijmons  
 D582,678 S 12/2008 Rekuc  
 7,497,449 B2 3/2009 Logger  
 7,506,404 B2 3/2009 Block et al.

D592,490 S 5/2009 Frame  
 D603,163 S 11/2009 Van Himbeek  
 7,657,969 B2 2/2010 Trivini  
 7,744,102 B2 6/2010 Balley et al.  
 7,832,533 B2 11/2010 Selvi  
 7,891,051 B2 2/2011 Chou  
 D633,299 S 3/2011 Moon  
 D634,124 S \* 3/2011 Fair ..... D3/318  
 D643,705 S 8/2011 Maeda et al.  
 8,020,679 B2 \* 9/2011 Wu ..... A45C 5/143  
 16/18 CG  
 D652,216 S \* 1/2012 Fair ..... D3/318  
 D659,395 S 5/2012 Sijmons  
 8,452,508 B2 5/2013 Frolik et al.  
 8,490,243 B2 7/2013 Guo et al.  
 8,533,908 B2 9/2013 Scicluna  
 D697,717 S 1/2014 Santy  
 D698,153 S 1/2014 Santy  
 8,662,516 B1 3/2014 Slagerman  
 D703,442 S 4/2014 Parker  
 8,752,243 B2 7/2014 Guo et al.  
 8,783,700 B2 7/2014 Li  
 8,806,714 B2 8/2014 Eguchi  
 8,807,584 B2 8/2014 Lasher  
 D718,938 S \* 12/2014 Parker ..... D3/318  
 D721,497 S 1/2015 Parker  
 D721,501 S 1/2015 Parker  
 D728,354 S 5/2015 Fan  
 D729,051 S 5/2015 Fan  
 D732,293 S \* 6/2015 Parker ..... D3/318  
 9,044,656 B2 6/2015 Zhang  
 D735,022 S 7/2015 Fan  
 D741,599 S \* 10/2015 Parker ..... D3/318  
 9,216,754 B2 \* 12/2015 Chen ..... B62B 5/0447  
 D753,920 S 4/2016 Parker  
 D755,524 S 5/2016 Parker  
 D767,280 S \* 9/2016 Parker ..... D3/318  
 9,636,948 B2 5/2017 Hillaert et al.  
 9,788,623 B1 10/2017 Chen  
 D811,090 S 2/2018 Karl  
 2002/0069479 A1 6/2002 Kuo  
 2002/0144375 A1 10/2002 Drucker et al.  
 2004/0111830 A1 6/2004 Cooper et al.  
 2006/0043688 A1 3/2006 Chang  
 2007/0056141 A1 3/2007 Armano et al.  
 2007/0119661 A1 5/2007 Chang  
 2008/0007022 A1 1/2008 Jones  
 2008/0116660 A1 5/2008 Nicholls  
 2008/0120803 A1 5/2008 Bryant  
 2009/0031533 A1 2/2009 Yan  
 2010/0230223 A1 9/2010 Wu  
 2011/0168508 A1 7/2011 Jiang  
 2012/0005858 A1 1/2012 Lai  
 2012/0086193 A1 4/2012 Guo  
 2012/0255141 A1 10/2012 Lin et al.  
 2012/0311821 A1 12/2012 Eguchi  
 2013/0093155 A1 4/2013 Gong  
 2013/0205544 A1 8/2013 Dayt et al.  
 2014/0041978 A1 2/2014 Chang  
 2014/0110204 A1 4/2014 Wu  
 2014/0232077 A1 8/2014 Zhang  
 2014/0262661 A1 9/2014 Mathieu et al.  
 2015/0102573 A1 4/2015 Hillaert et al.  
 2015/0150347 A1 6/2015 Scicluna  
 2016/0286914 A1 10/2016 Hillaert et al.  
 2017/0367450 A1 12/2017 Karl

FOREIGN PATENT DOCUMENTS

CN 1852811 A 10/2006  
 CN 201194600 Y 2/2009  
 CN 101443201 B 12/2010  
 CN 201675239 U 12/2010  
 CN 202278929 U 6/2012  
 CN 102578778 A 7/2012  
 CN 202407510 9/2012  
 CN 202528768 11/2012  
 CN 102991559 A 3/2013  
 CN 202782503 U 3/2013

(56)

**References Cited**

FOREIGN PATENT DOCUMENTS

DE	29710837	U1	8/1997
DE	20309968	U1	8/2003
EM	001175822-0002		4/2009
EM	002514364-0002		8/2014
EM	002563783-0003		10/2014
EM	002872192-0001		11/2015
EM	002872192-0002		11/2015
EM	002872192-0011		11/2015
EM	002872192-0012		11/2015
EM	002872192-0015		11/2015
EP	0075456	A1	3/1983
EP	0051995	A1	11/1986
EP	1117311	A1	7/2001
EP	2862473	A1	4/2015
EP	3075567	A1	10/2016
FR	2007012	A1	1/1970
FR	2763285	A1	11/1998
FR	2799179	B3	4/2001
GB	239701	A	9/1925
GB	450893	A	7/1936
GB	928709	A	6/1963
JP	2013237446	A	11/2013
WO	2007/118102	A1	10/2007

\* cited by examiner

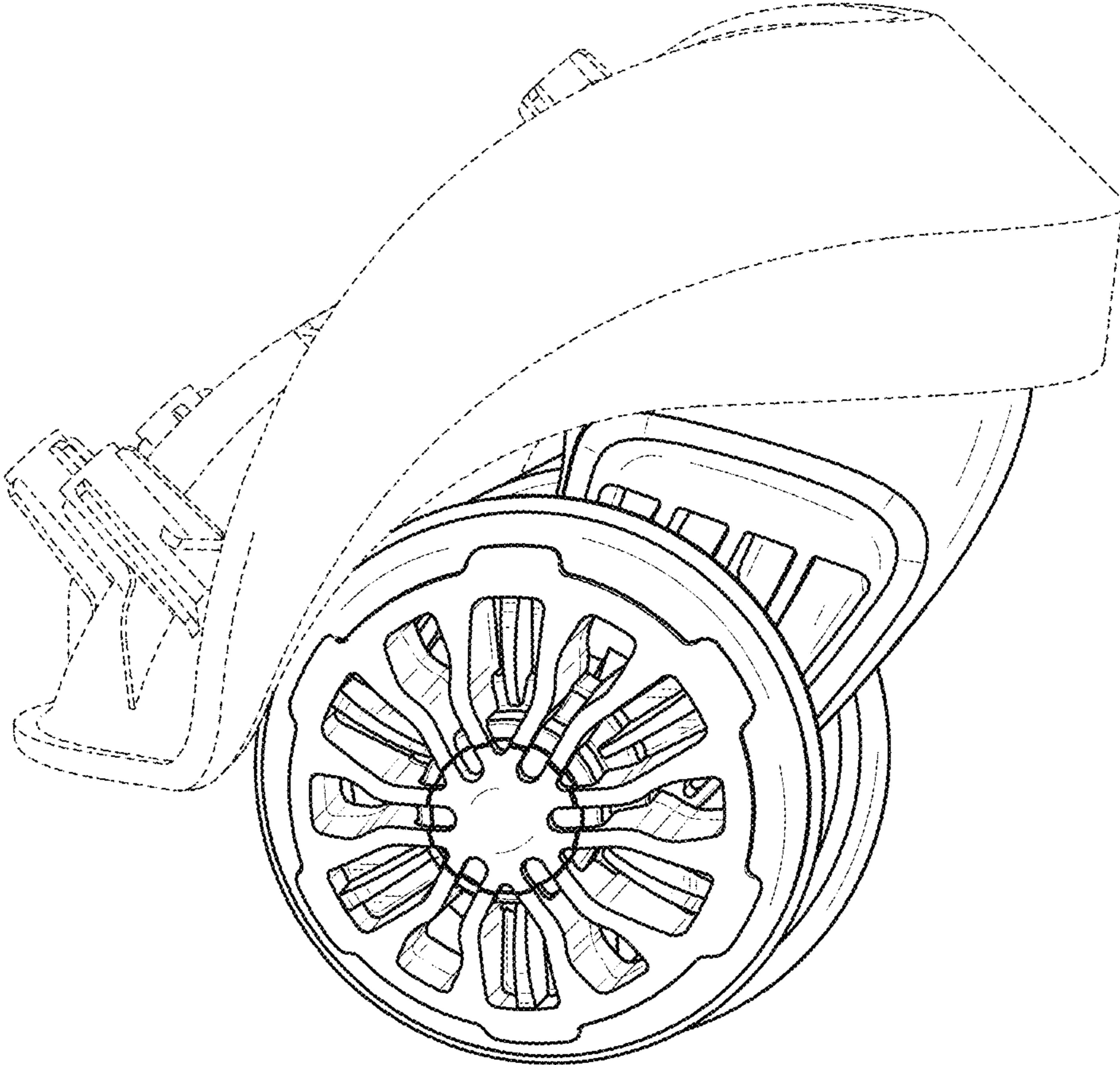


FIG. 1

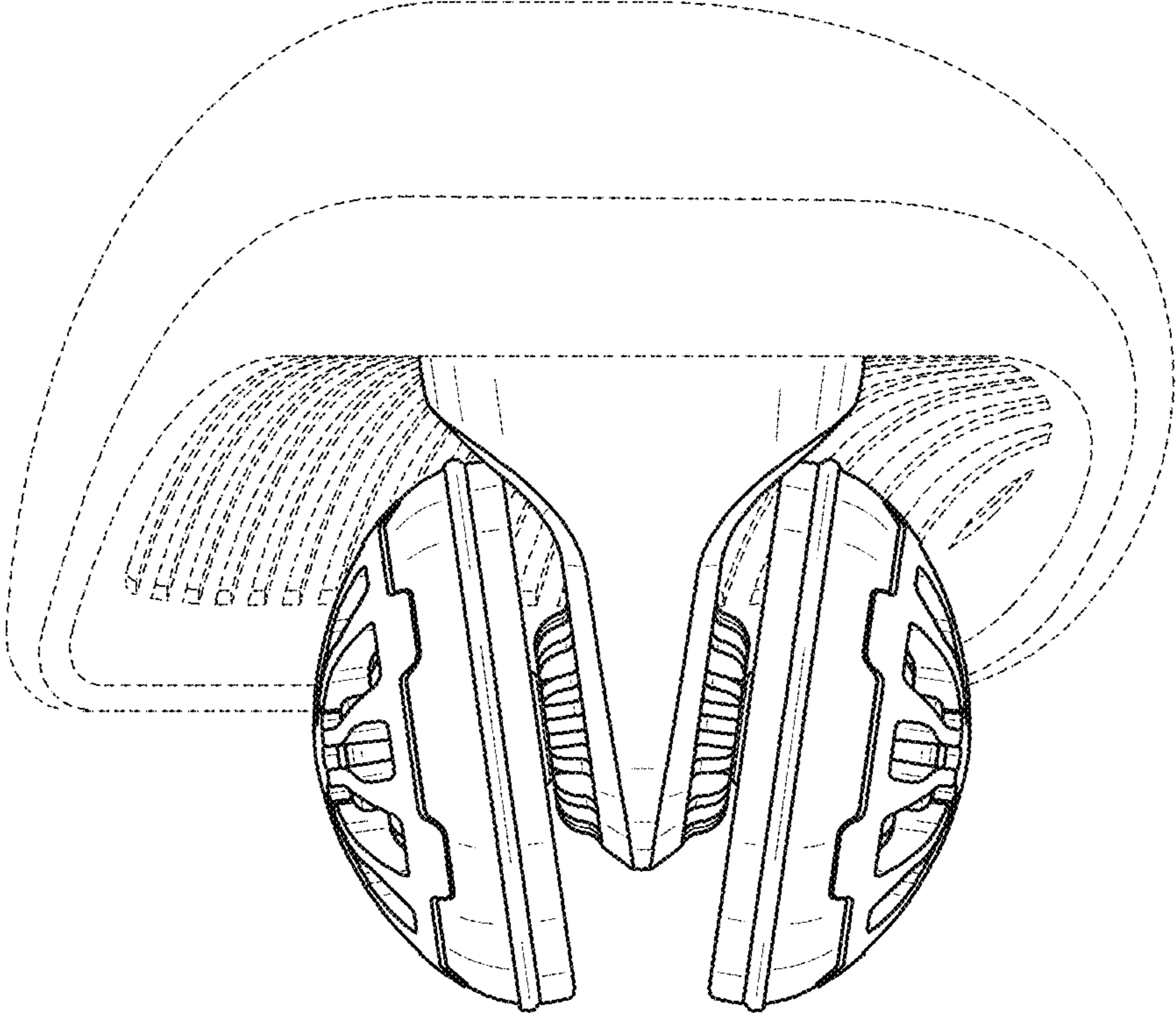


FIG. 2

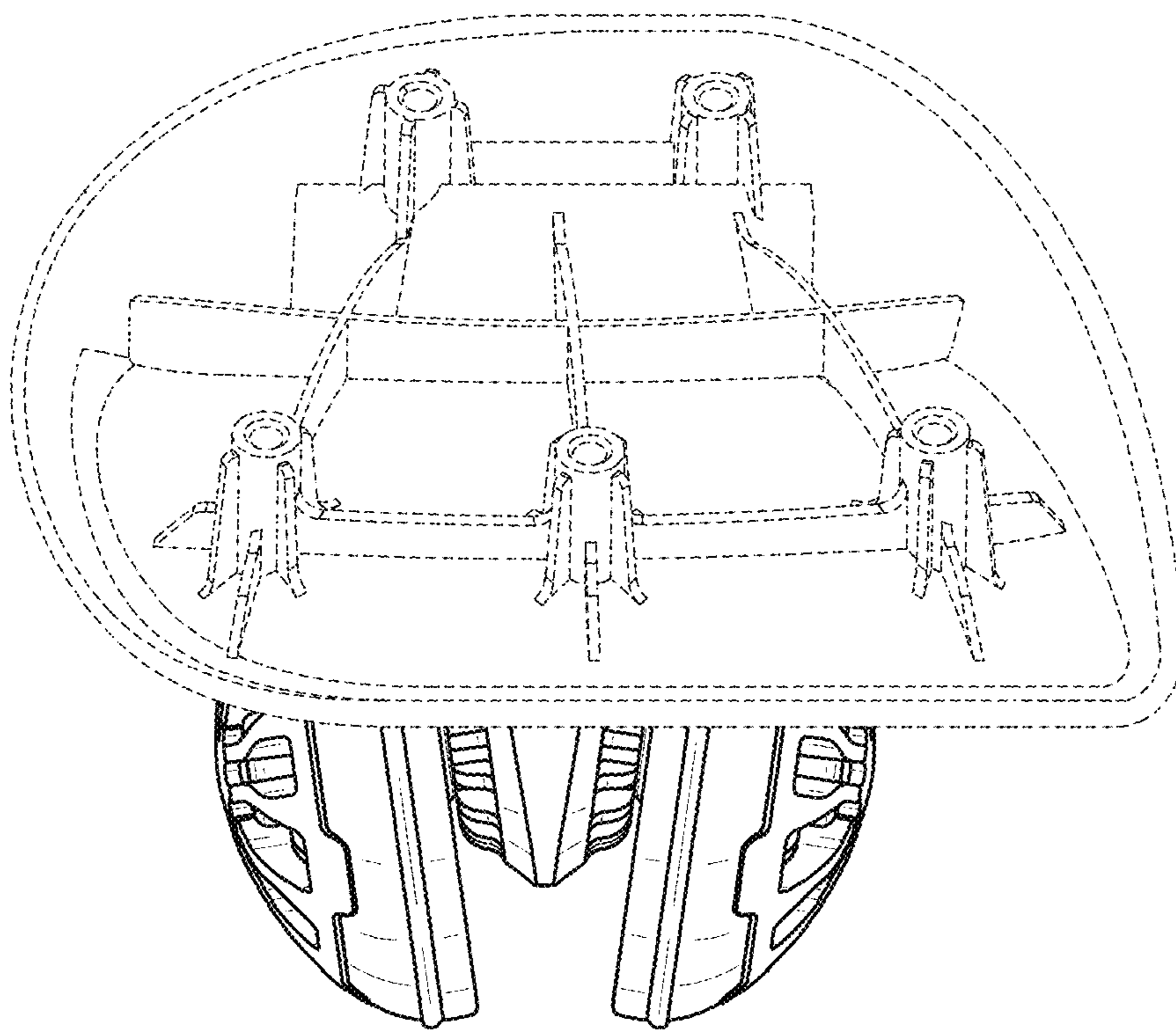


FIG. 3

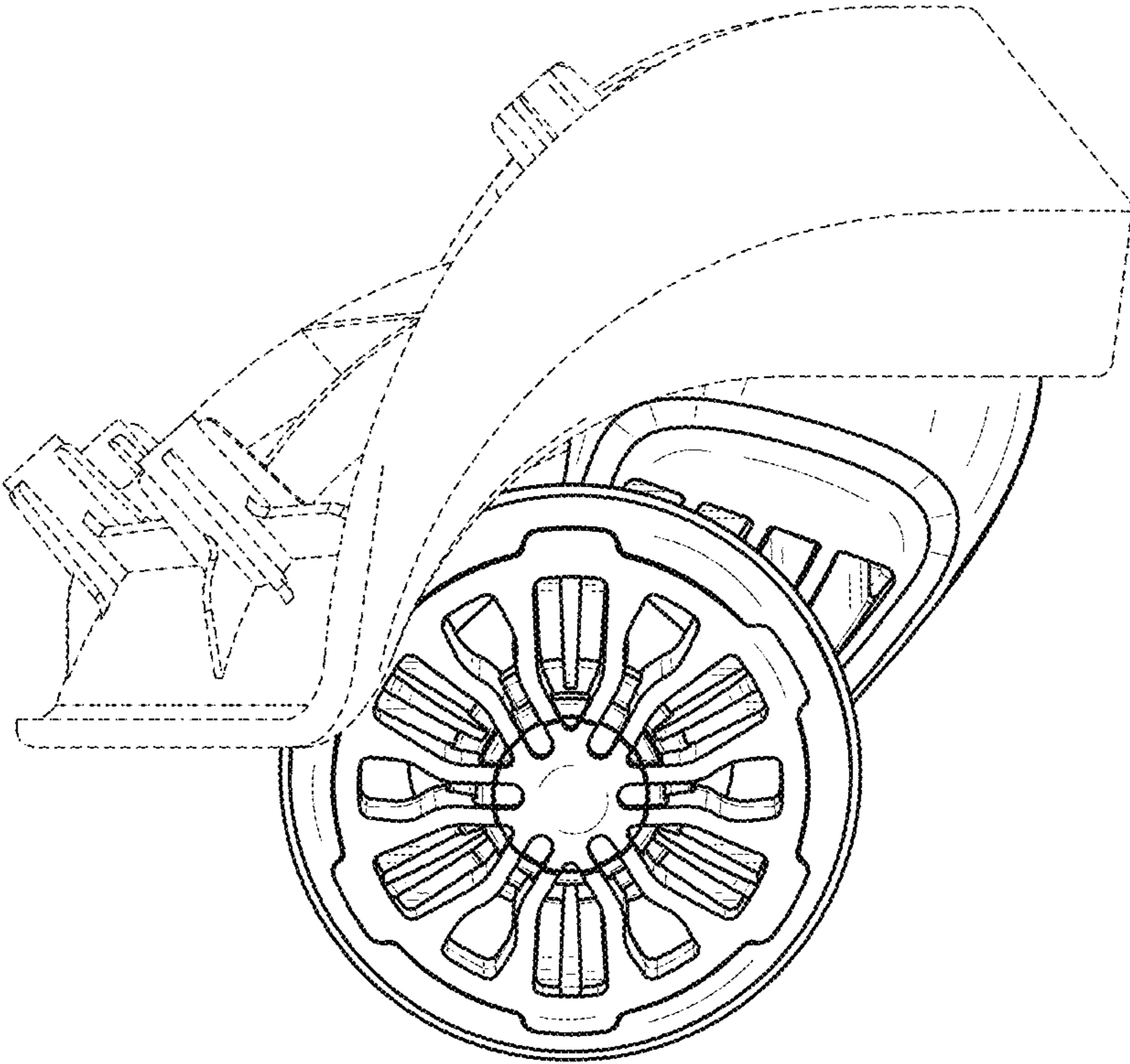


FIG. 4

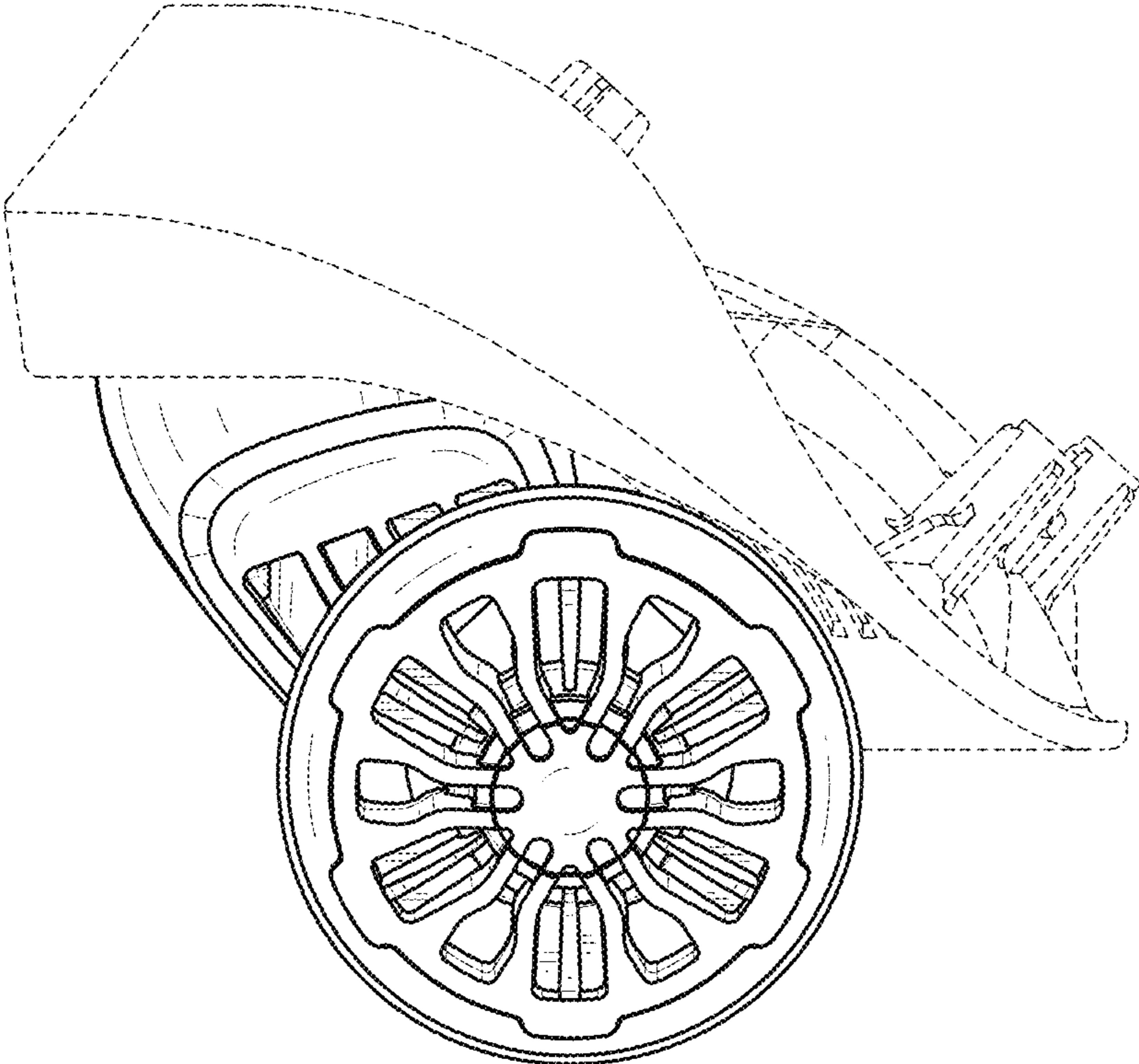


FIG. 5



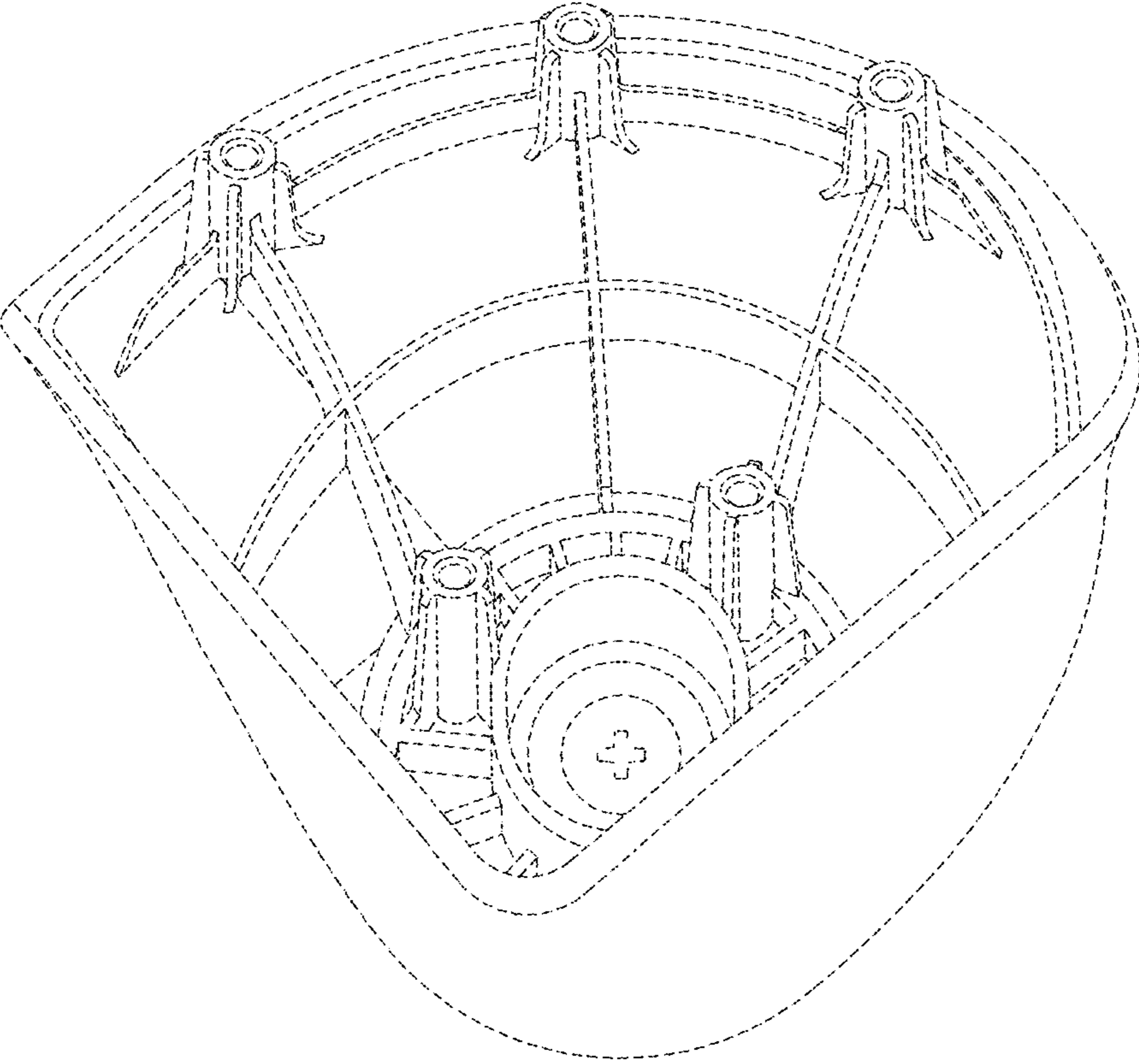


FIG. 6

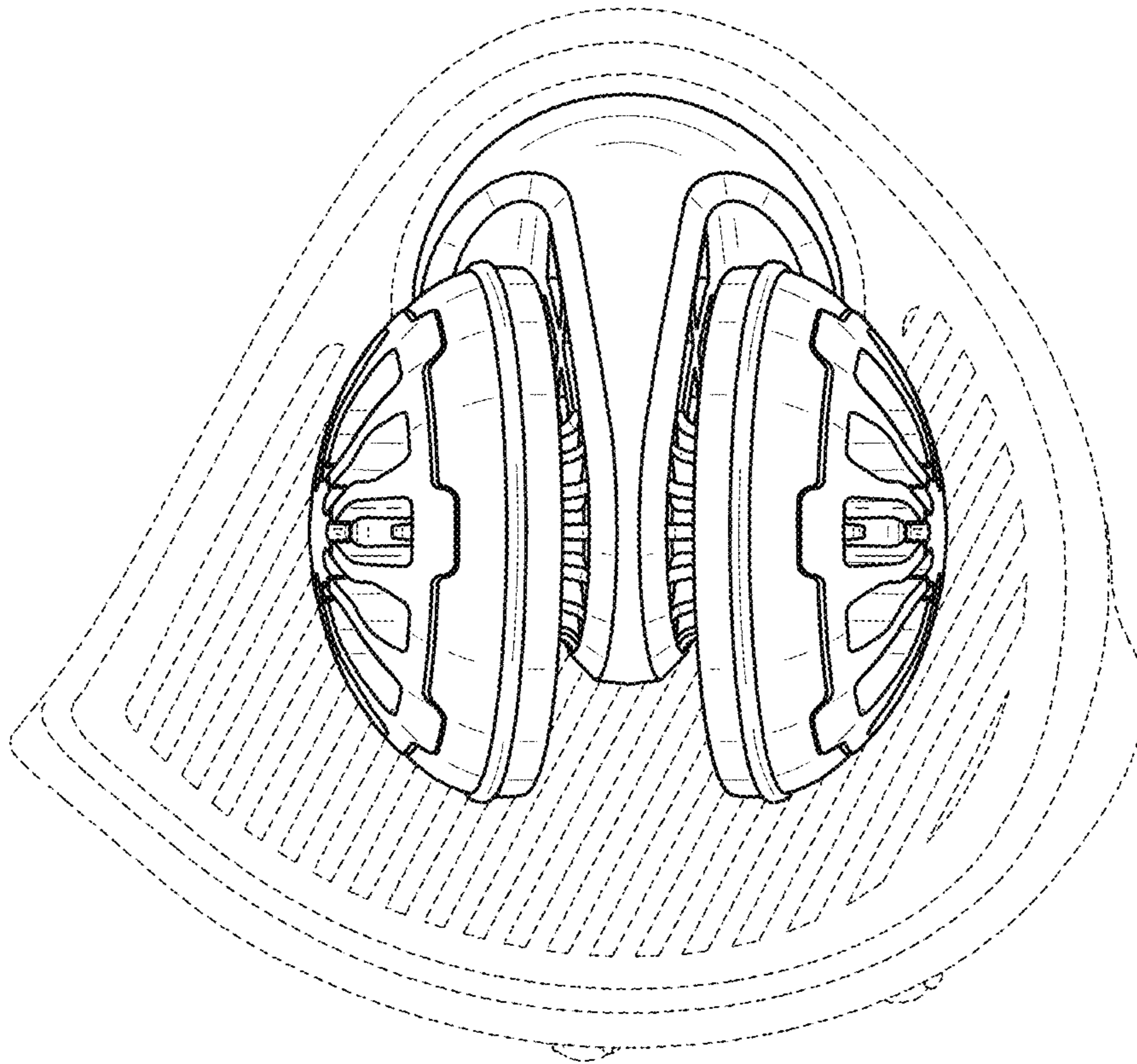


FIG. 7