



US00D841326S

(12) **United States Design Patent**
Dominguez

(10) **Patent No.:** **US D841,326 S**
(45) **Date of Patent:** **** Feb. 26, 2019**

(54) **MINAUDIÈRE**

(71) Applicant: **HARRY WINSTON SA,**
Plan-les-Ouates (CH)

(72) Inventor: **Emmanuelle Dominguez,** Viry (FR)

(73) Assignee: **Harry Winston SA,** Plan-les-Ouates
(CH)

(**) Term: **15 Years**

(21) Appl. No.: **29/576,896**

(22) Filed: **Sep. 8, 2016**

(30) **Foreign Application Priority Data**

Mar. 8, 2016 (WO) DM/089 796

(51) **LOC (11) Cl.** **03-01**

(52) **U.S. Cl.**
USPC **D3/294**

(58) **Field of Classification Search**

USPC D3/272, 273, 274, 275, 276, 281, 284,
D3/292, 294, 232, 239, 247, 267, 269,
D3/306; D9/414, 418, 420-423, 432
CPC G03B 17/02; G03B 17/03; G03B 17/04;
G03B 17/56; G03B 19/04; H04N 7/181;
H04N 7/183; H04N 7/18

See application file for complete search history.

(56) **References Cited**

U.S. PATENT DOCUMENTS

D68,268 S * 9/1925 Miller 217/5
D141,775 S * 7/1945 Buckingham D9/544
D163,971 S * 7/1951 Singer et al. D3/294
D182,766 S * 5/1958 Hardy D3/294
D191,427 S * 9/1961 Peterman et al. D3/294
D289,142 S * 4/1987 Bijaoui D9/439
D313,749 S * 1/1991 Dinand D9/544
D355,360 S * 2/1995 Mund D3/294

D488,298 S * 4/2004 Freeman D3/294
D548,969 S * 8/2007 Bramley D21/394
D597,303 S * 8/2009 Billauer D3/232

(Continued)

OTHER PUBLICATIONS

“Silver Flower Rhinestone Crystal Minaudiere”, (<https://www.milanblocks.com/products/silver-flower-rhinestone-crystal-minaudiere>), Copyright 2015. (Year: 2015).*

Primary Examiner — Sandra S Snapp

Assistant Examiner — Holly E Thurman

(74) *Attorney, Agent, or Firm* — Blank Rome LLP

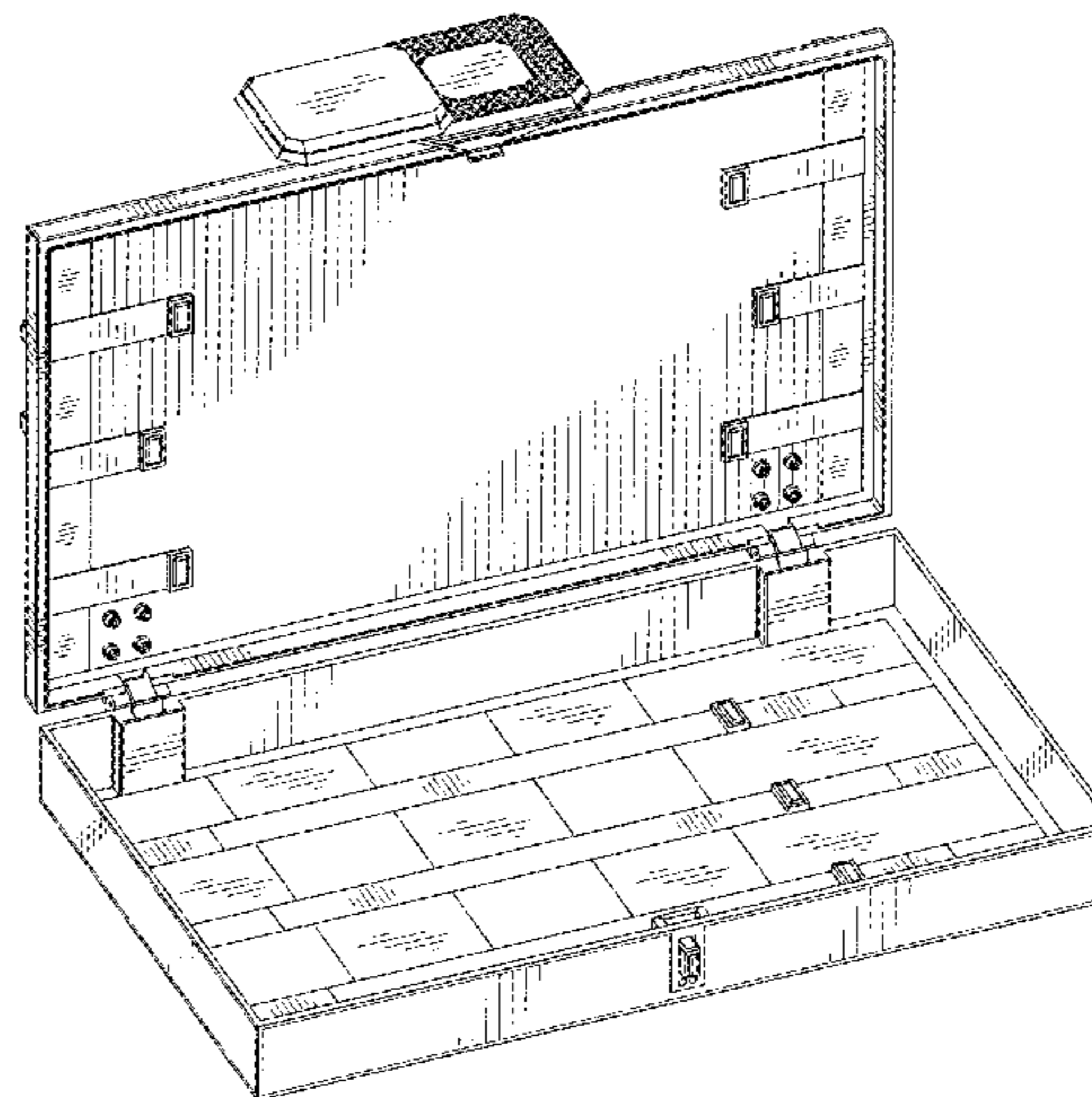
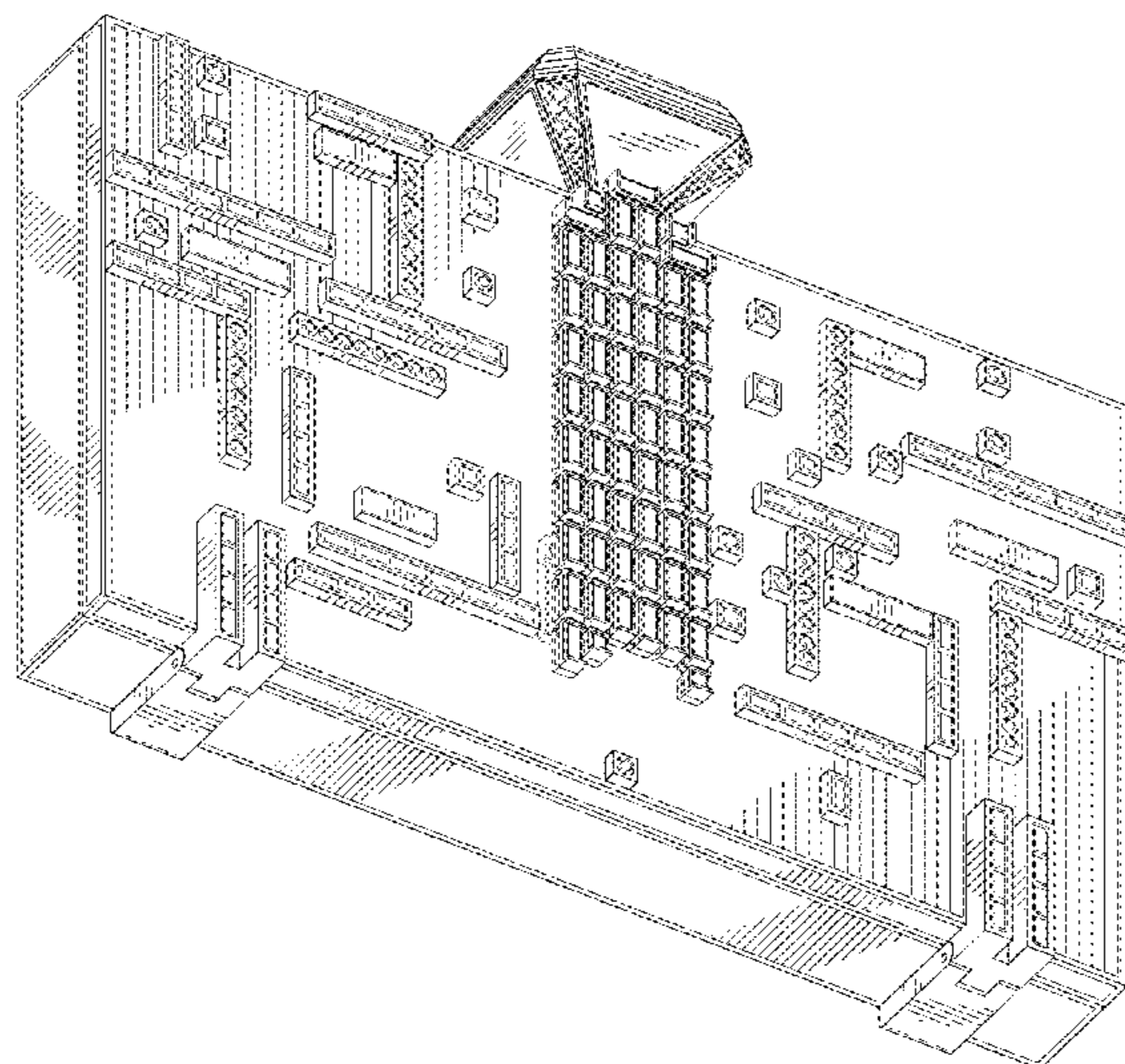
(57) **CLAIM**

The ornamental design for a minaudiere, as shown.

DESCRIPTION

FIG. 1 is a front right perspective view of a minaudiere in closed position showing my new design;
FIG. 2 is a front left perspective view thereof;
FIG. 3 is a rear right perspective view thereof;
FIG. 4 is a rear left perspective view thereof;
FIG. 5 is a front view thereof;
FIG. 6 is a rear view thereof;
FIG. 7 is a left side view thereof;
FIG. 8 is a right side view thereof;
FIG. 9 is a top view thereof;
FIG. 10 is a bottom view thereof;
FIG. 11 is a front right perspective view in open position thereof;
FIG. 12 is a front left perspective view thereof;
FIG. 13 is a rear right perspective view thereof;
FIG. 14 is a rear left perspective view thereof;
FIG. 15 is a front view thereof;
FIG. 16 is a rear view thereof;
FIG. 17 is a left side view thereof;
FIG. 18 is a right side view thereof;
FIG. 19 is a top view thereof; and,
FIG. 20 is a bottom view thereof.

1 Claim, 18 Drawing Sheets



(56)

References Cited

U.S. PATENT DOCUMENTS

D610,916 S *	3/2010	Yeung	D9/682
D633,806 S *	3/2011	Lecoule	D9/451
D639,667 S *	6/2011	Bogert	D9/439
D781,052 S *	3/2017	Blahnik	D3/232
D798,587 S *	10/2017	Heyman	D3/232
D814,791 S *	4/2018	Zhang	D3/294
D822,502 S *	7/2018	Krunas	D9/691

* cited by examiner

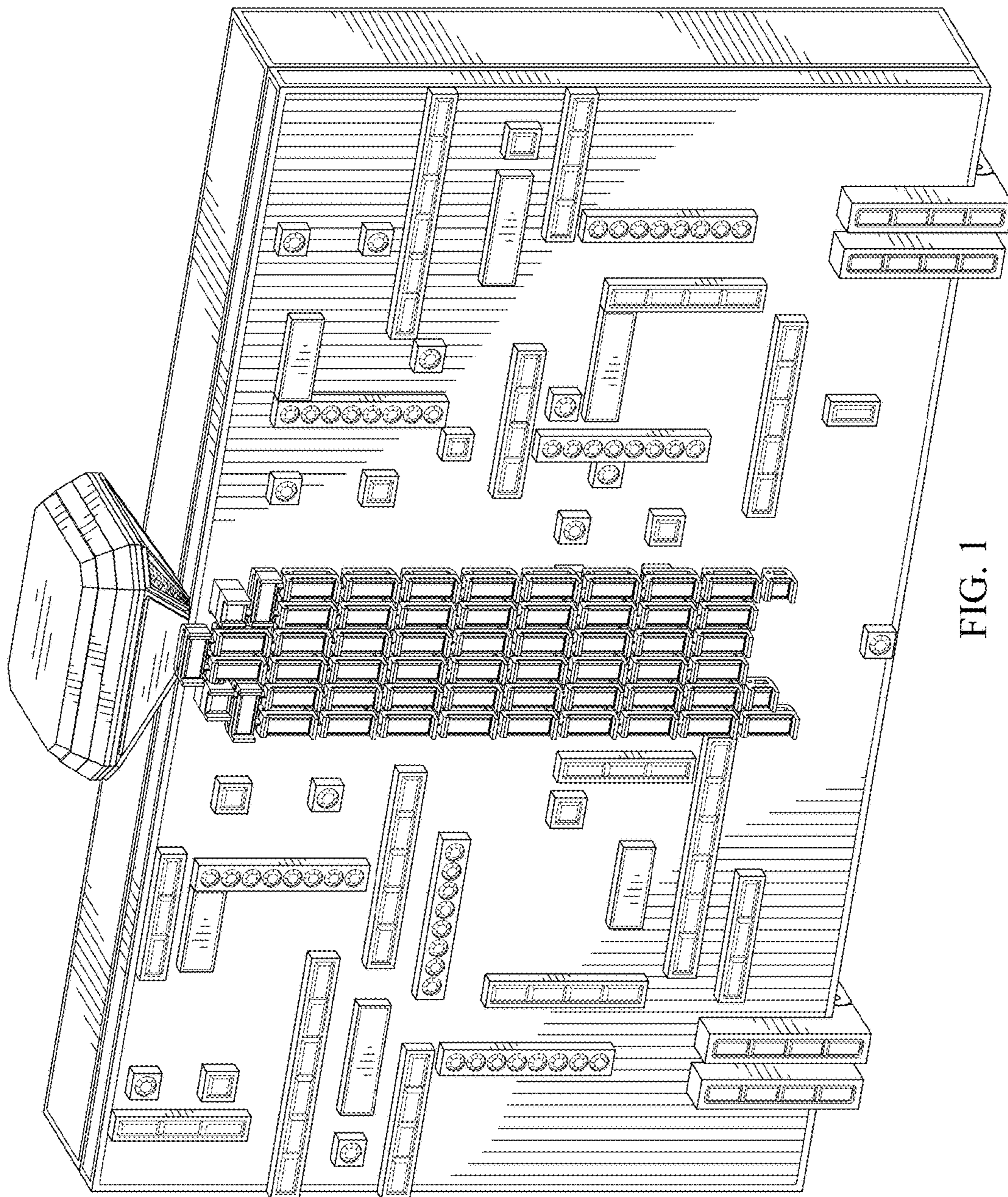


FIG. 1

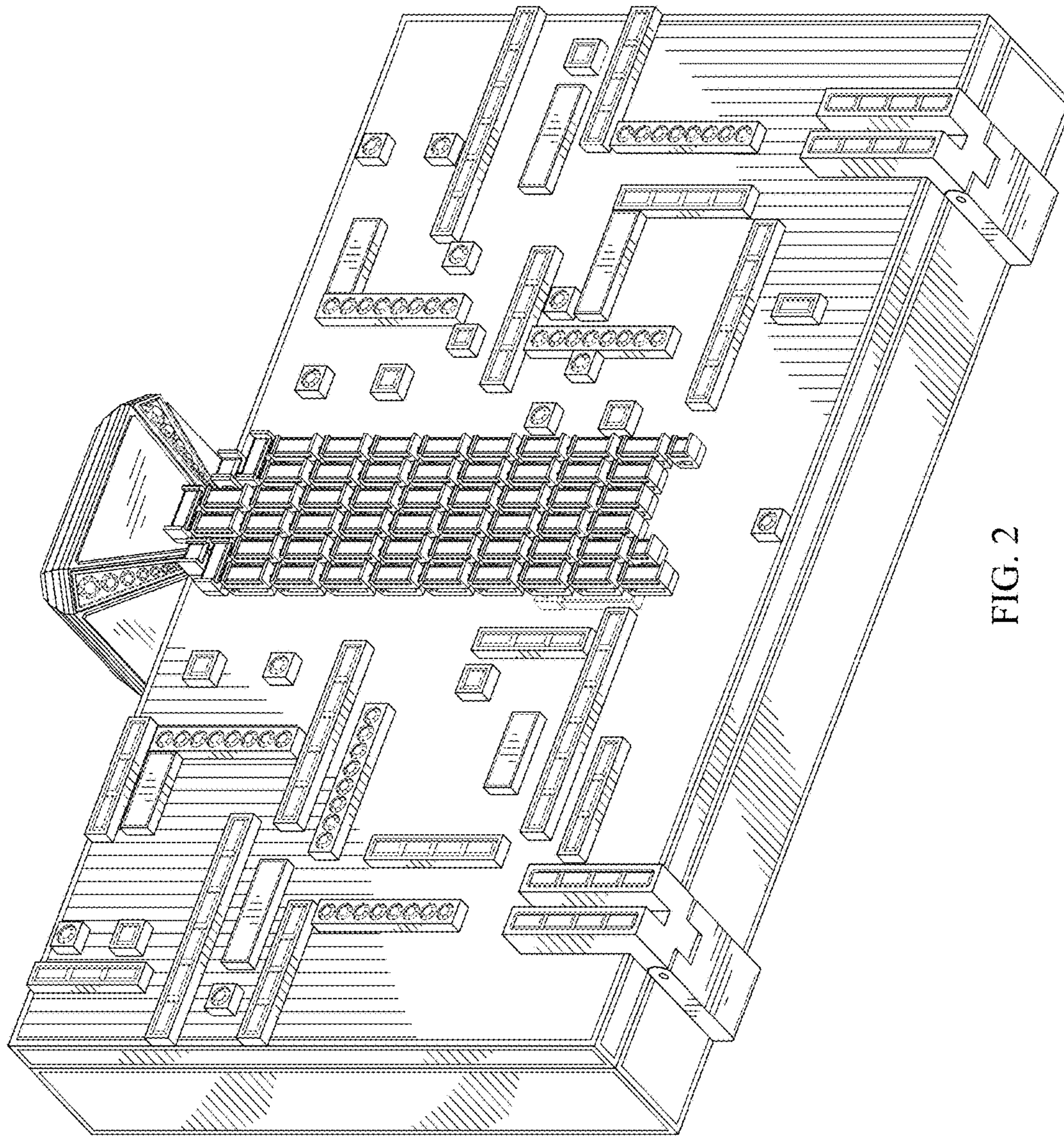


FIG. 2

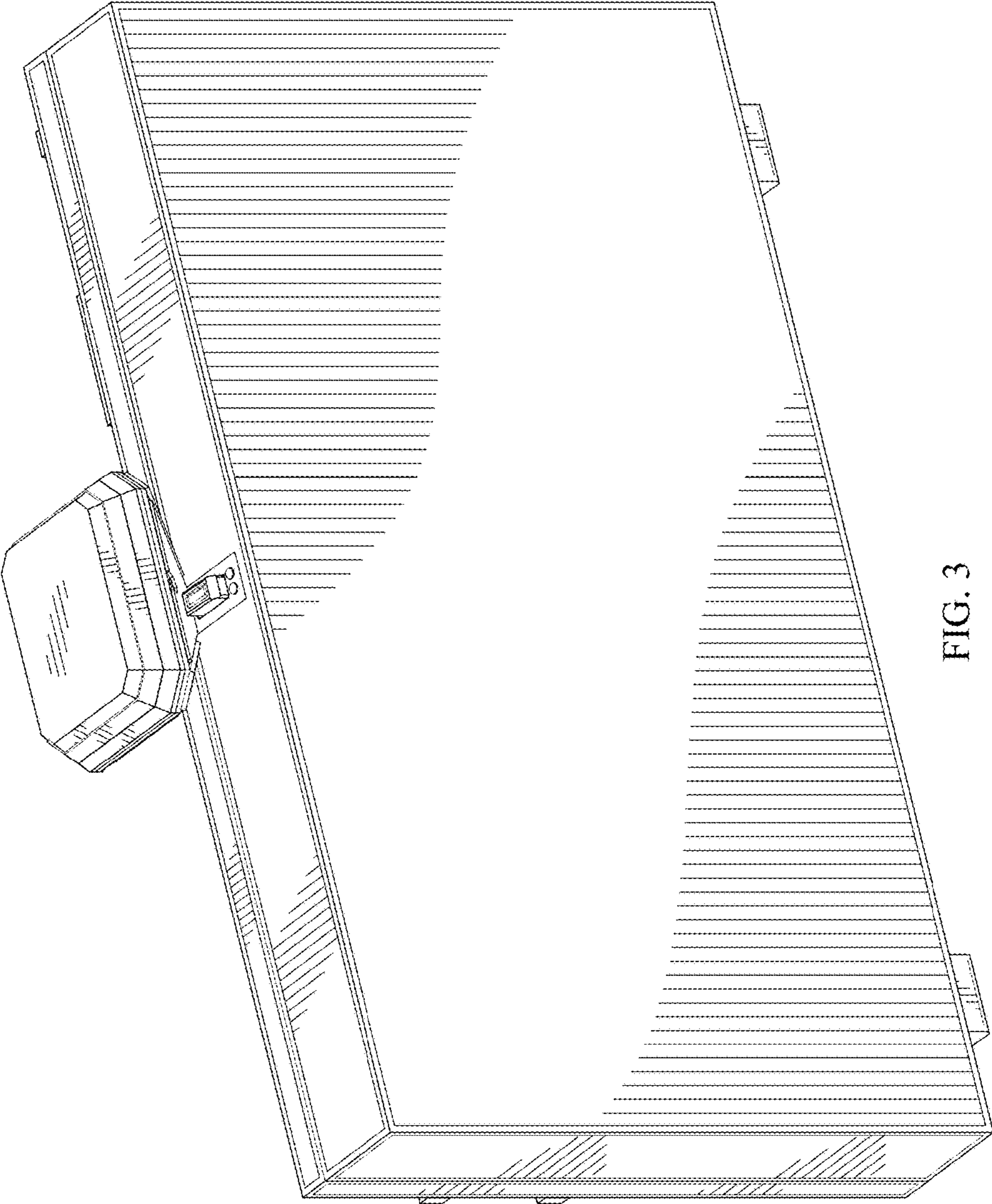


FIG. 3

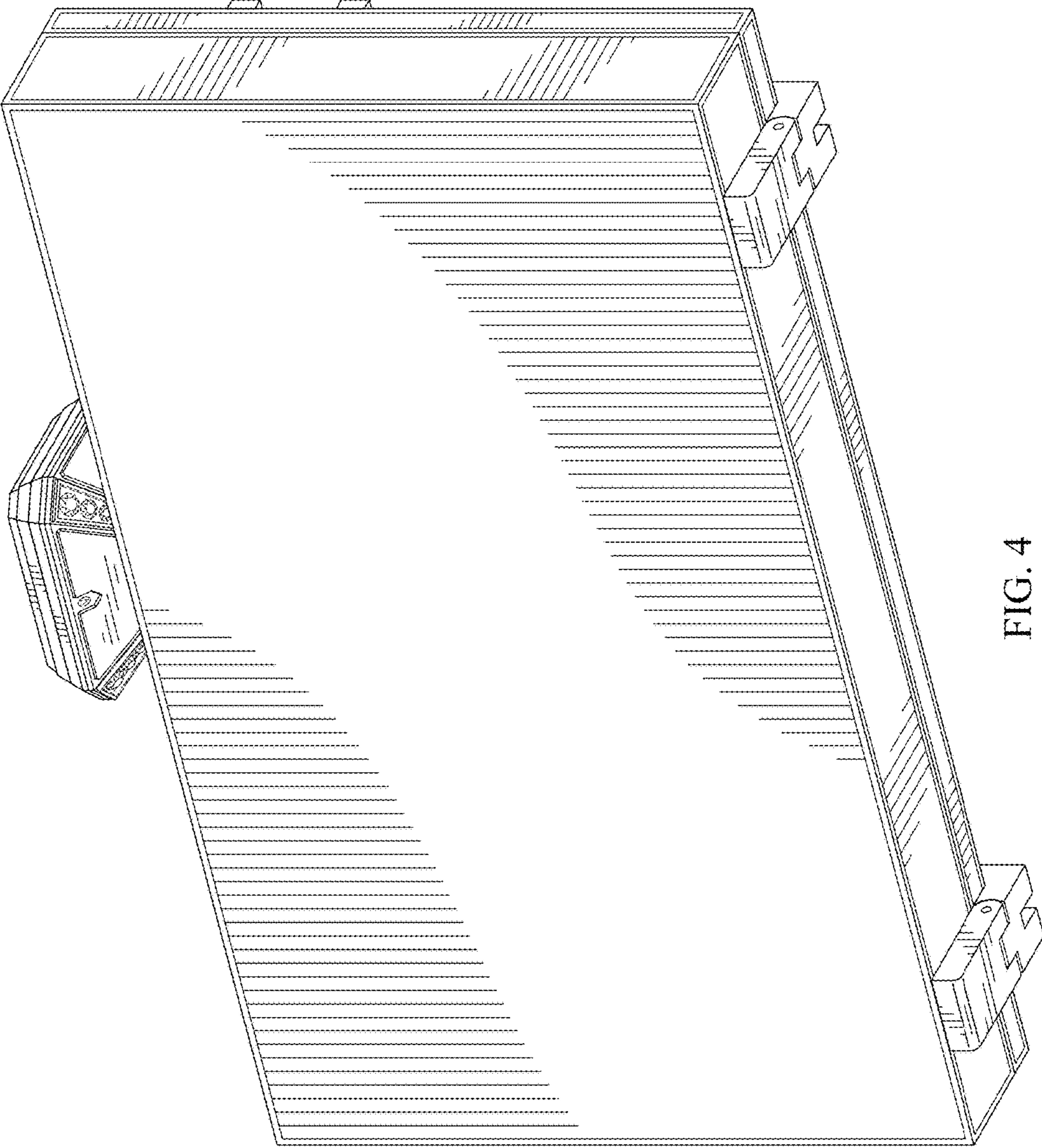


FIG. 4

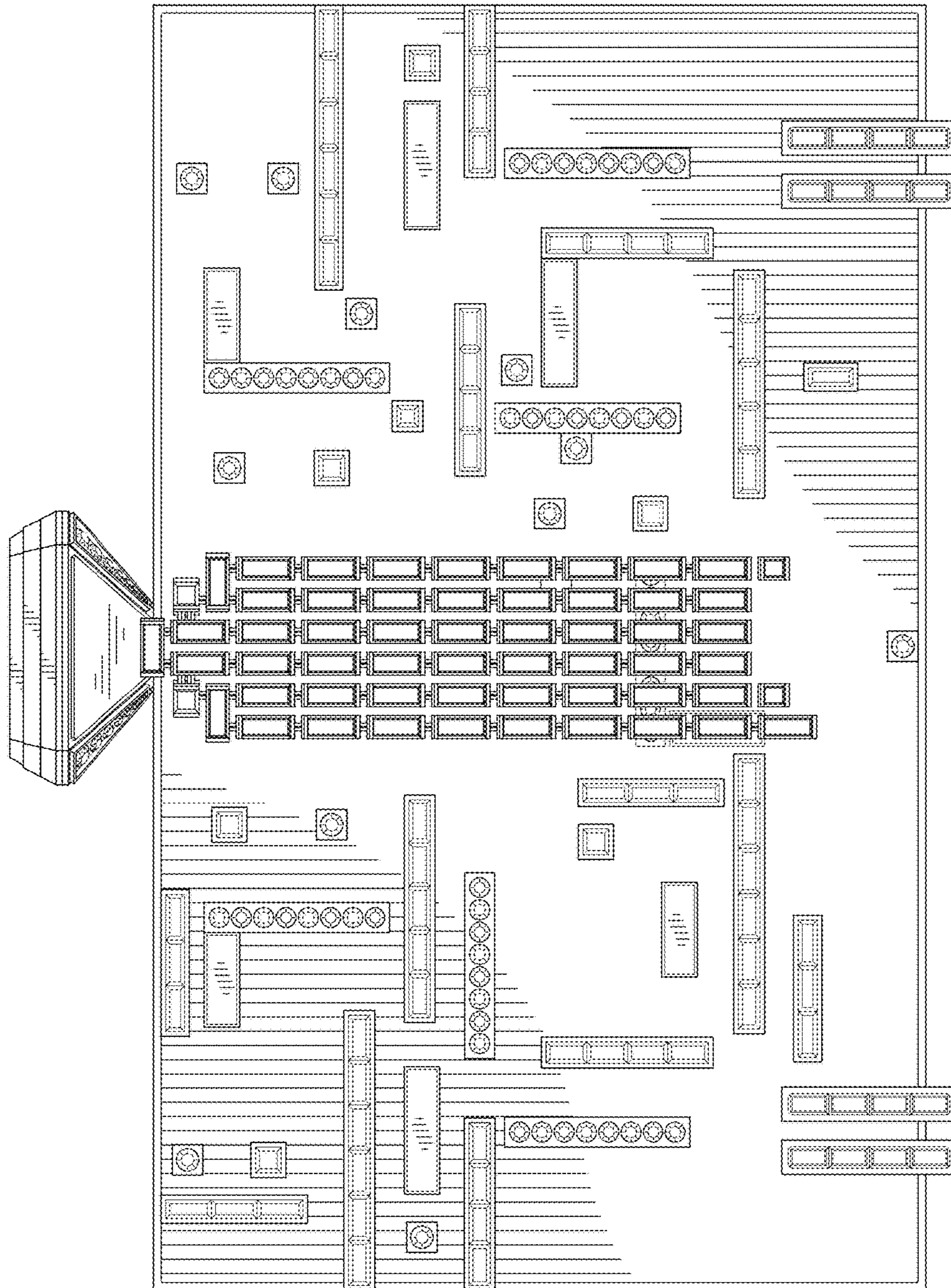


FIG. 5

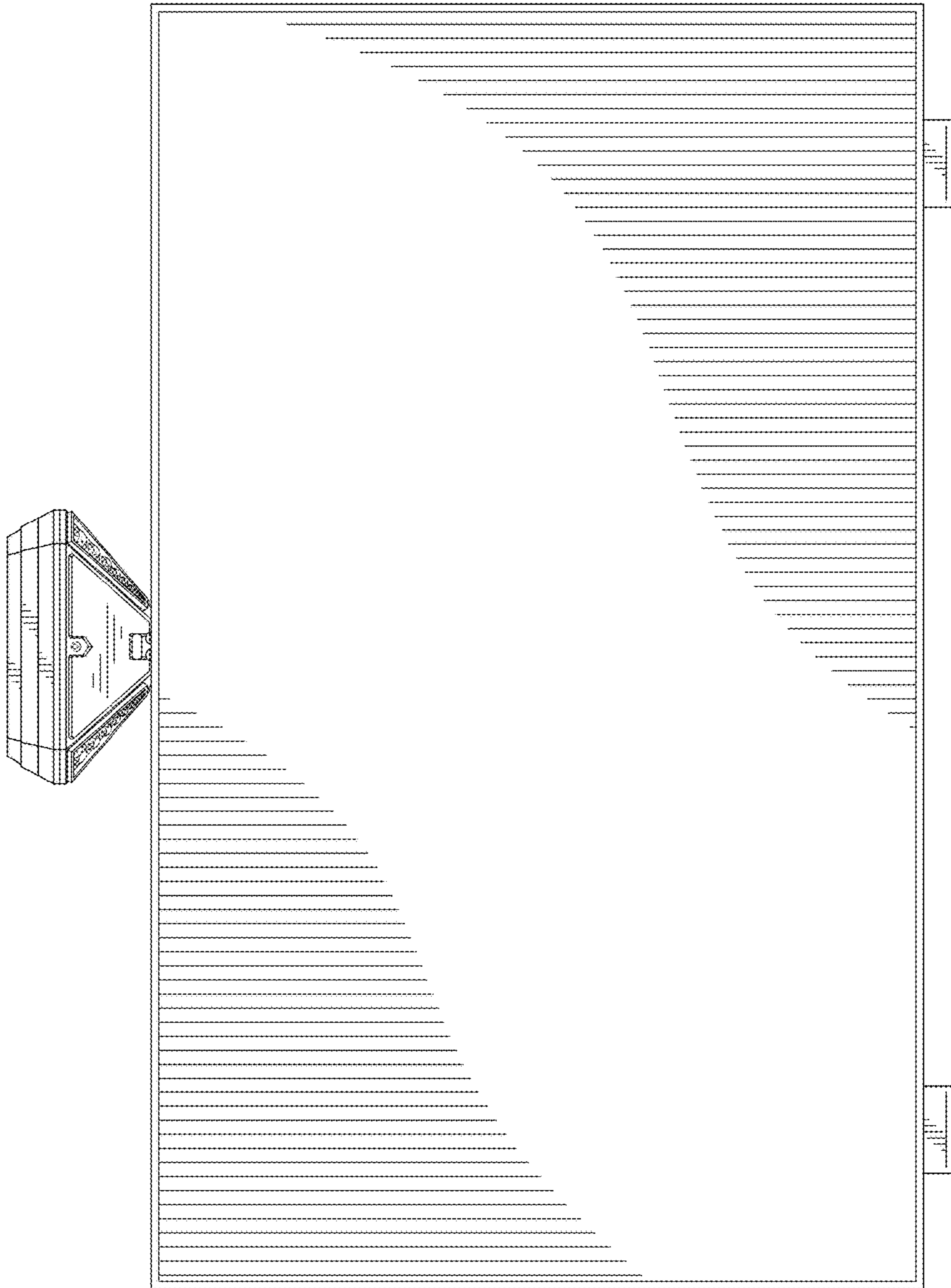


FIG. 6

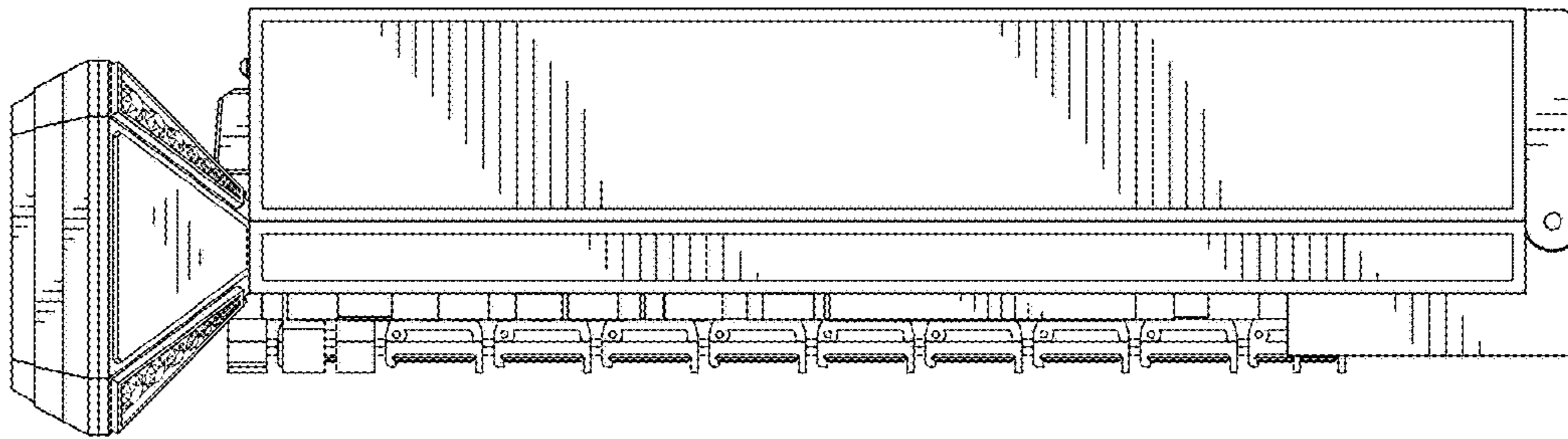


FIG. 8

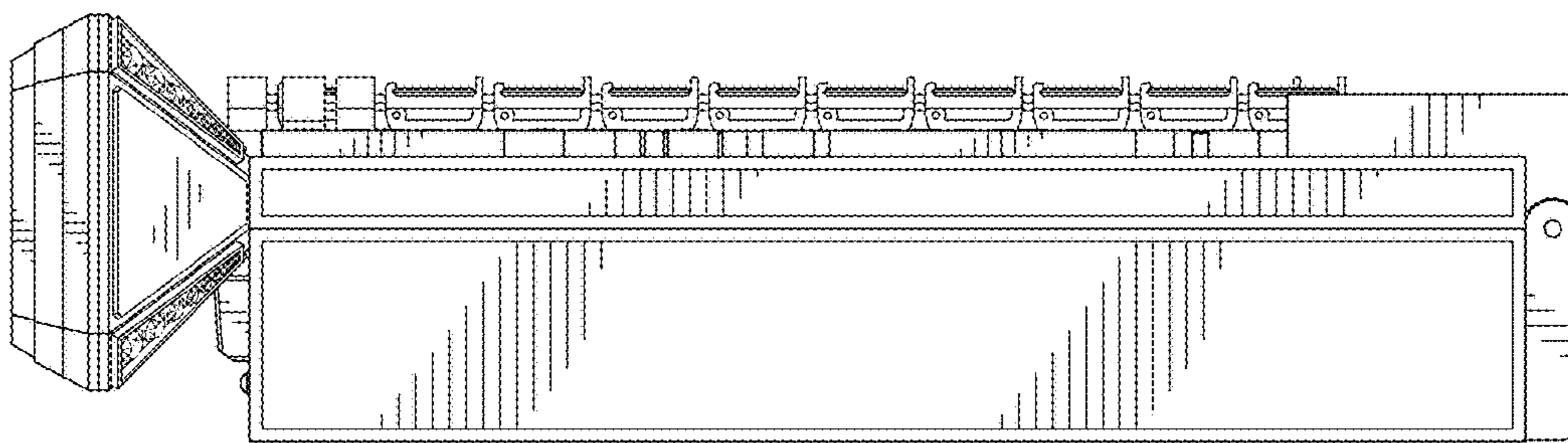


FIG. 7

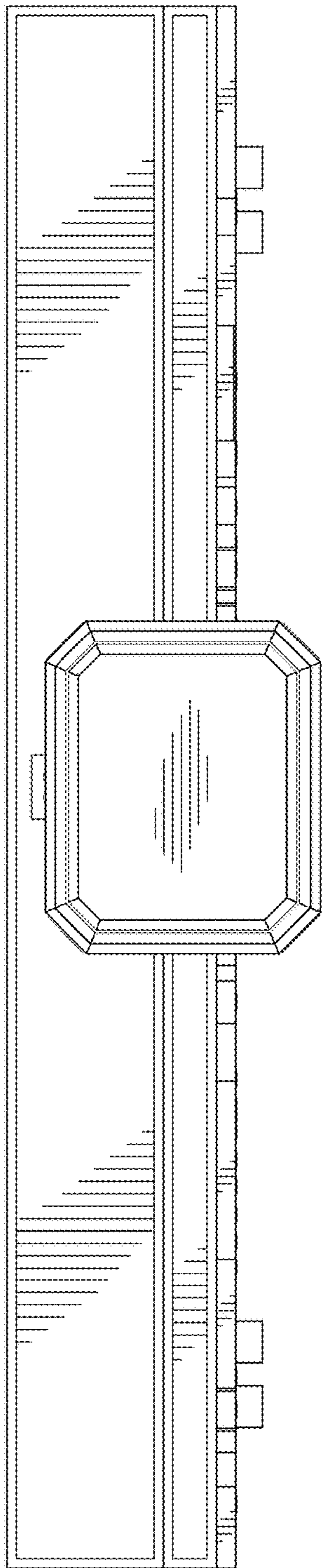


FIG. 9

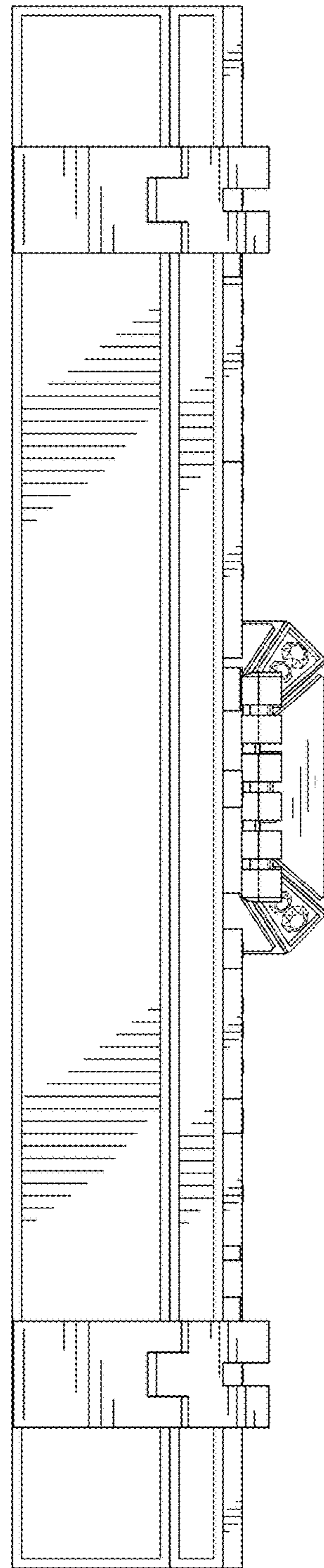


FIG. 10

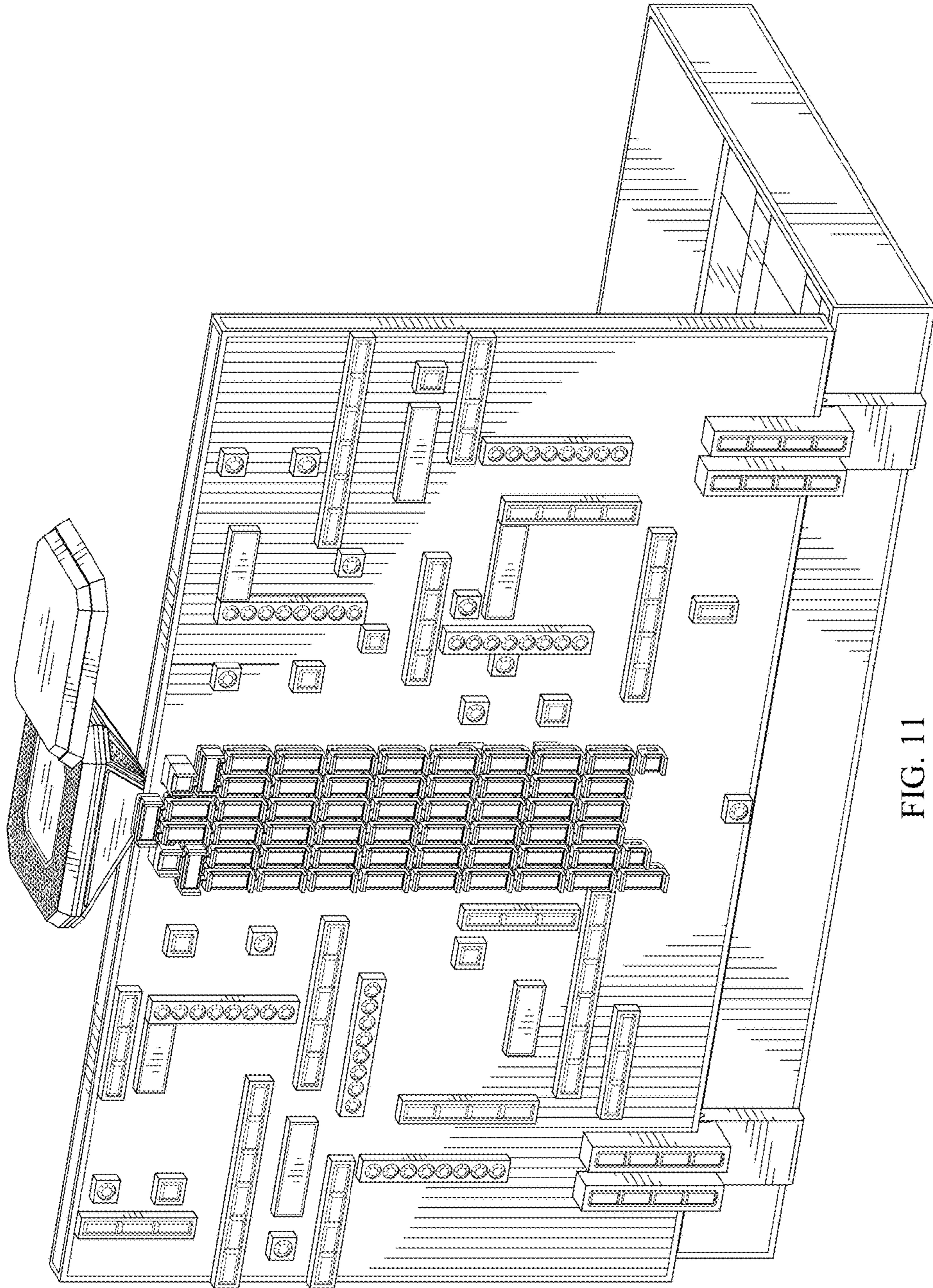


FIG. 11

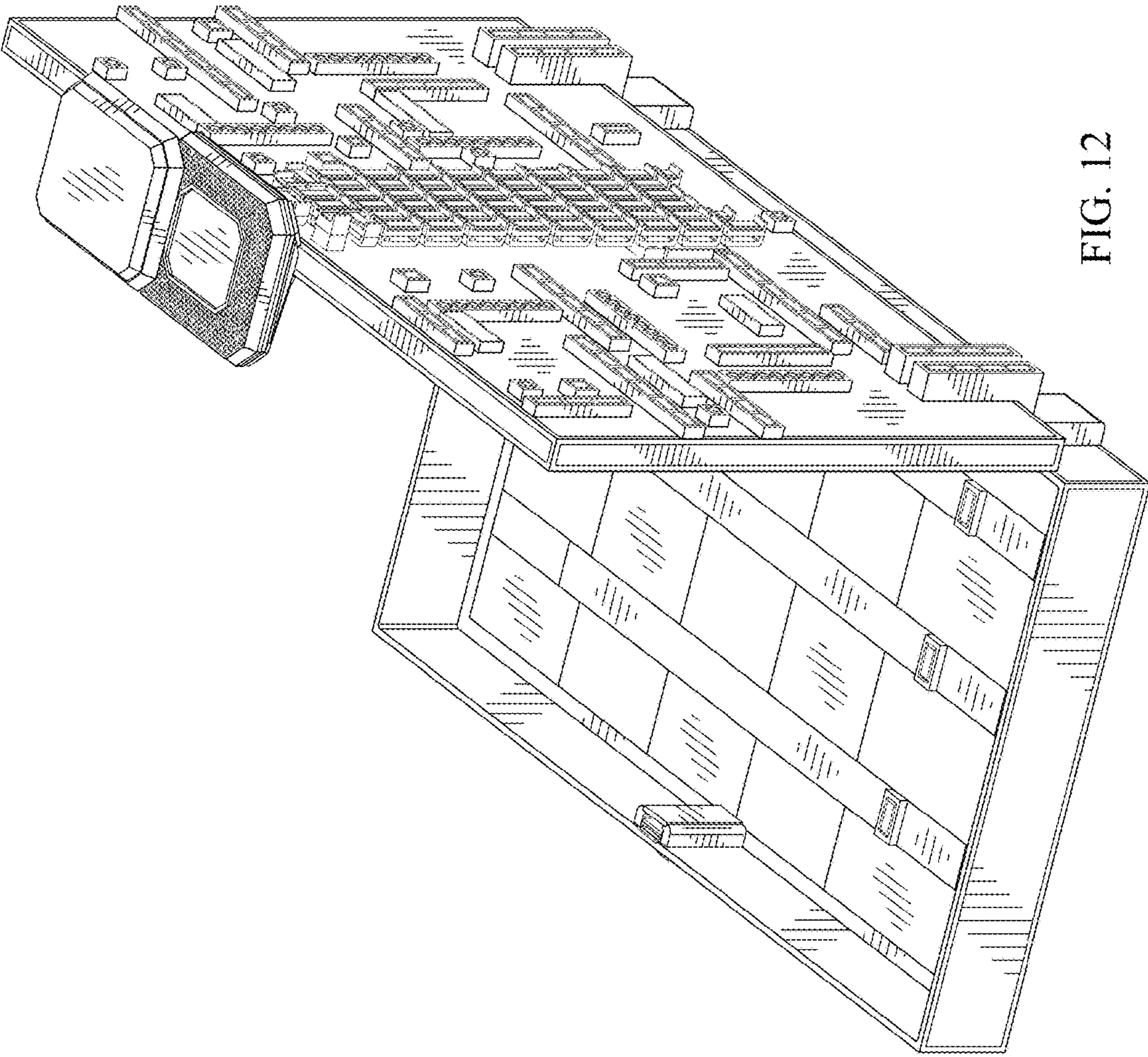
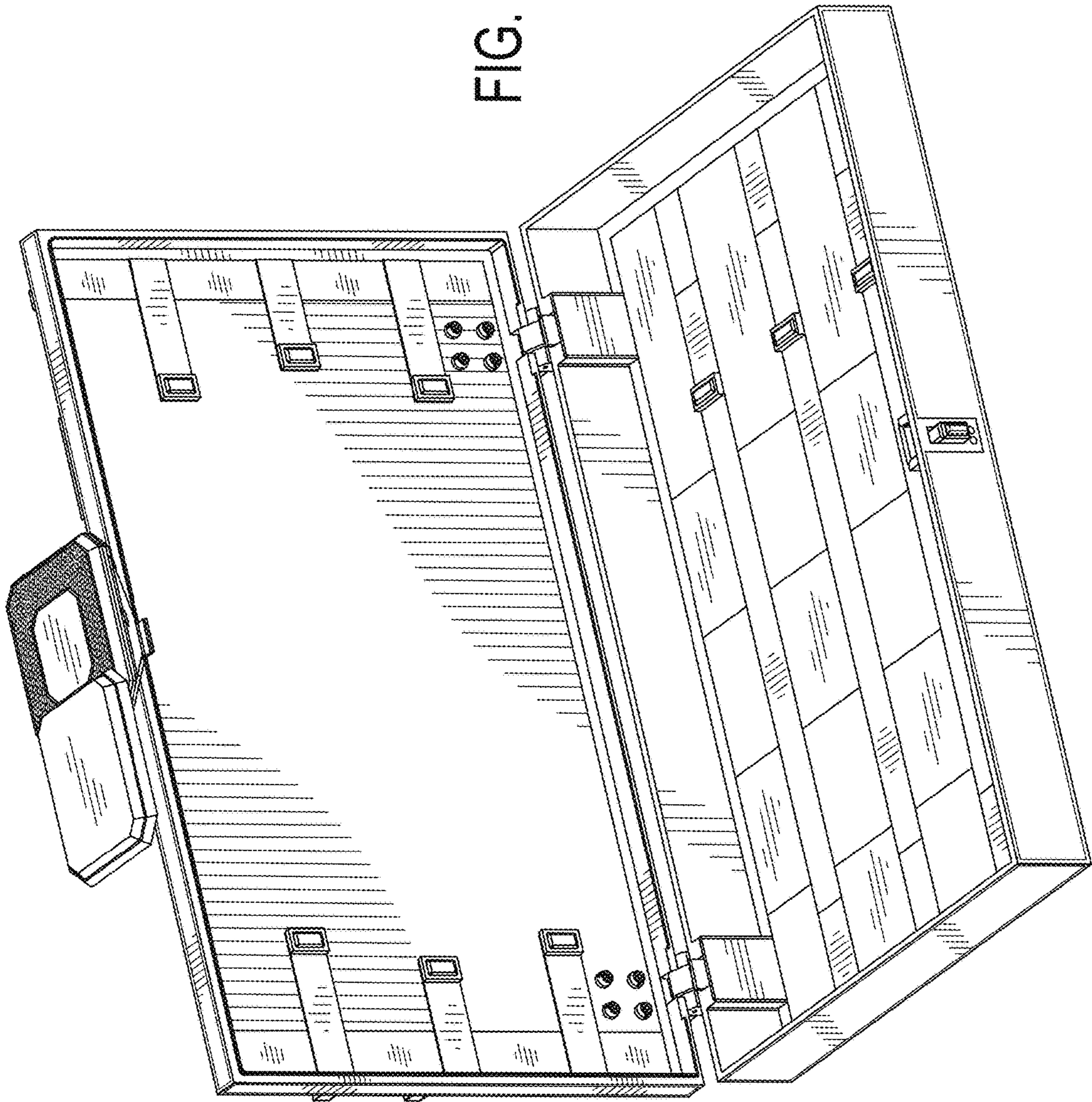


FIG. 12

FIG. 13



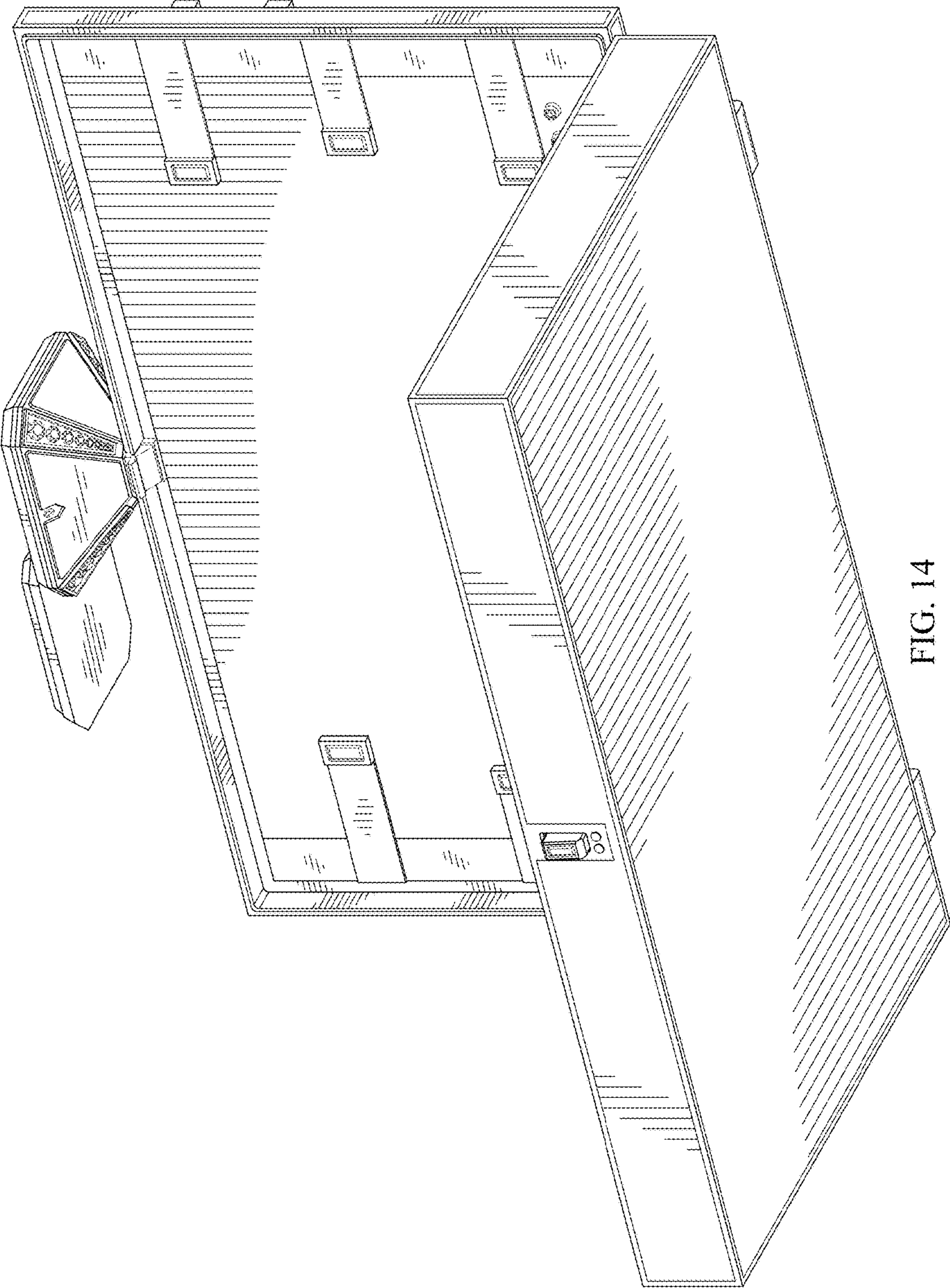


FIG. 14

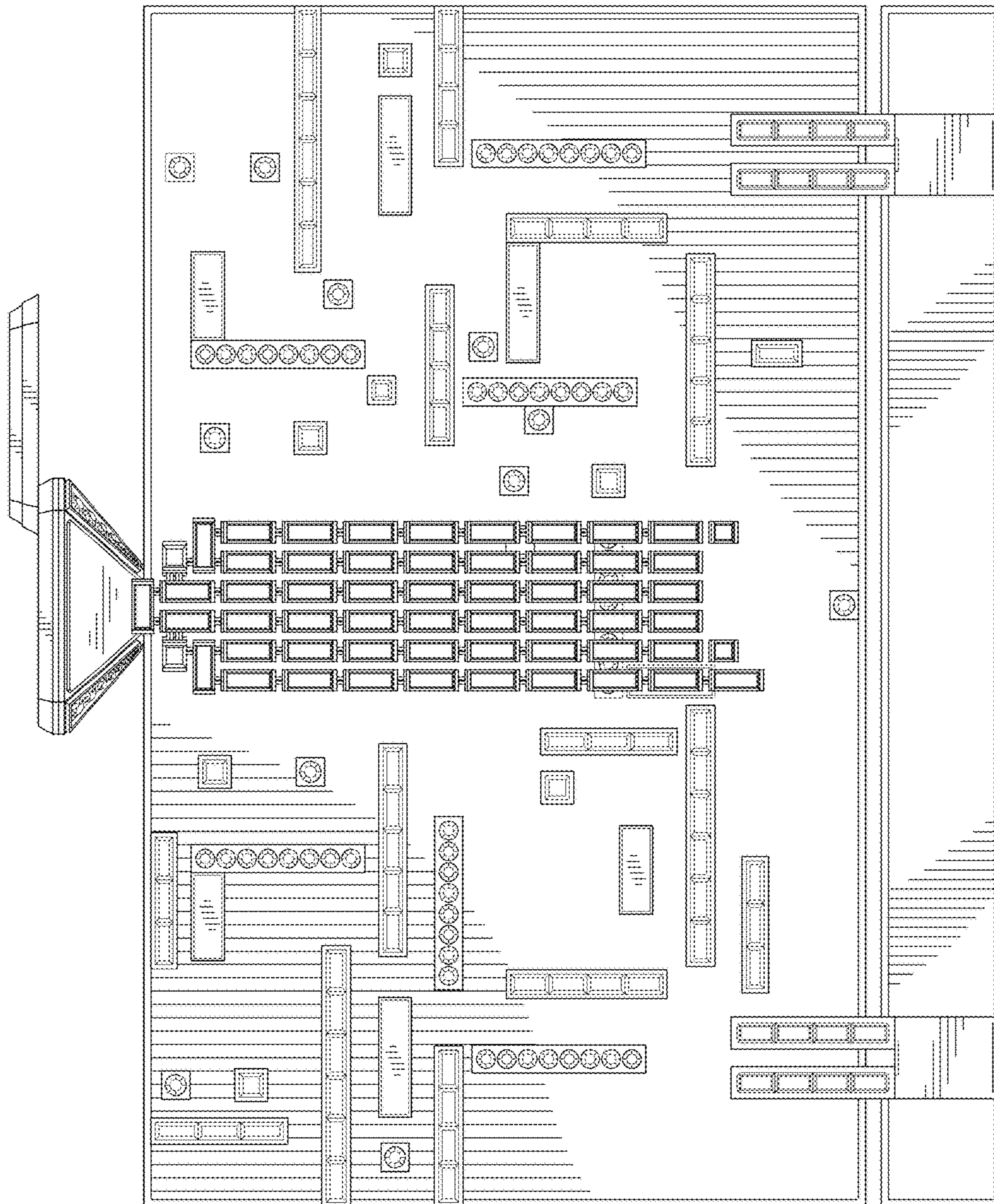
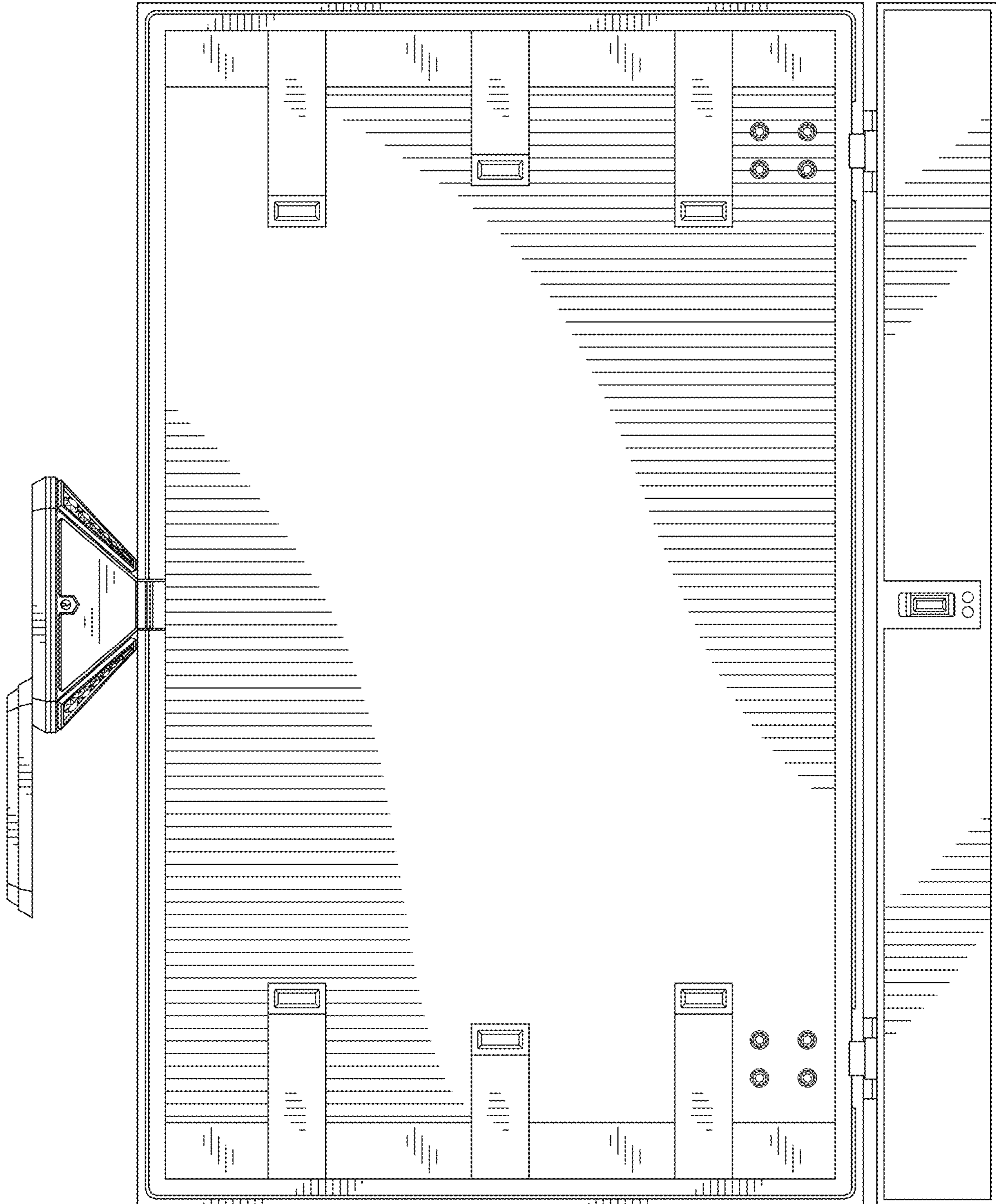


FIG. 15

FIG. 16



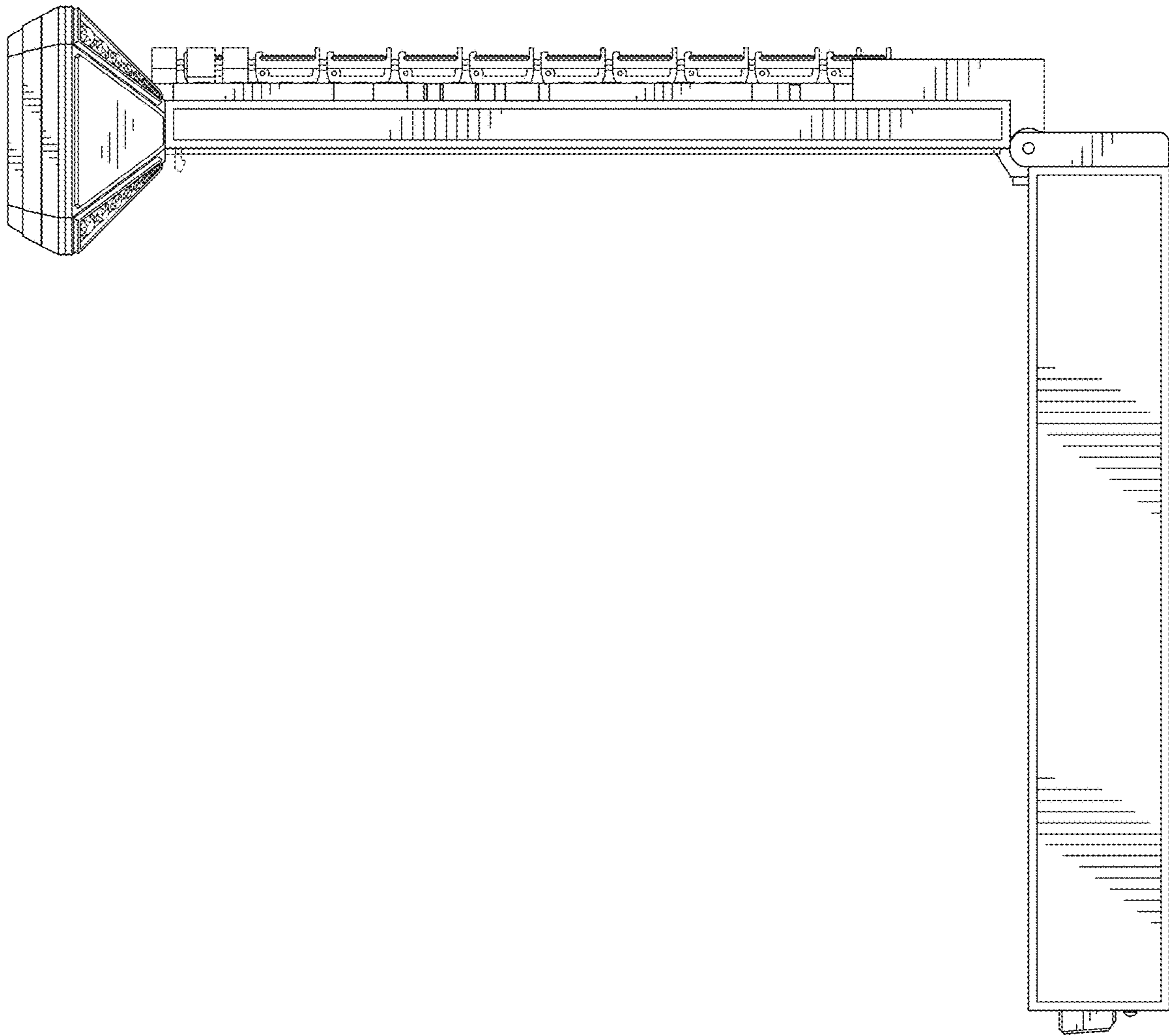


FIG. 17

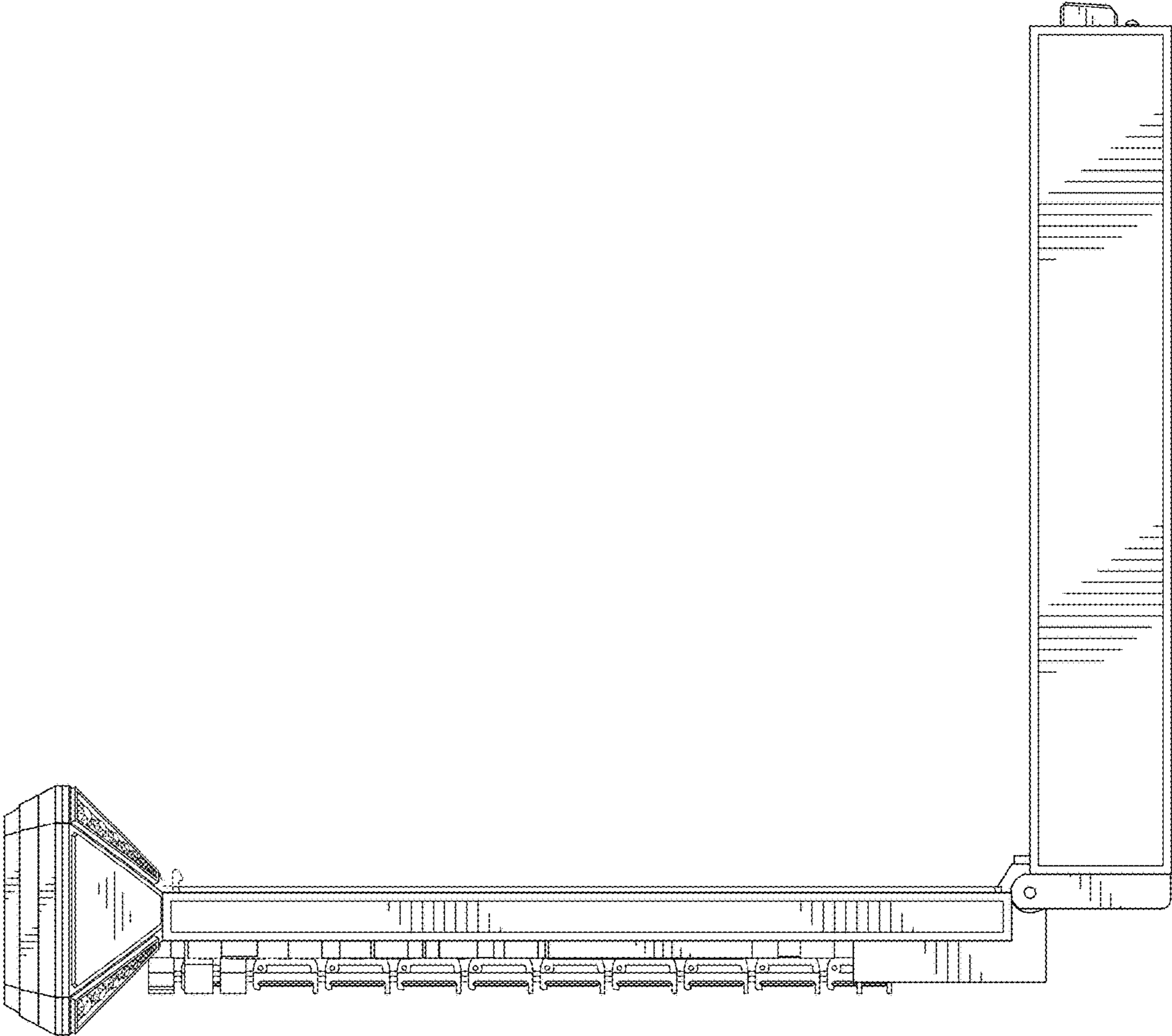


FIG. 18

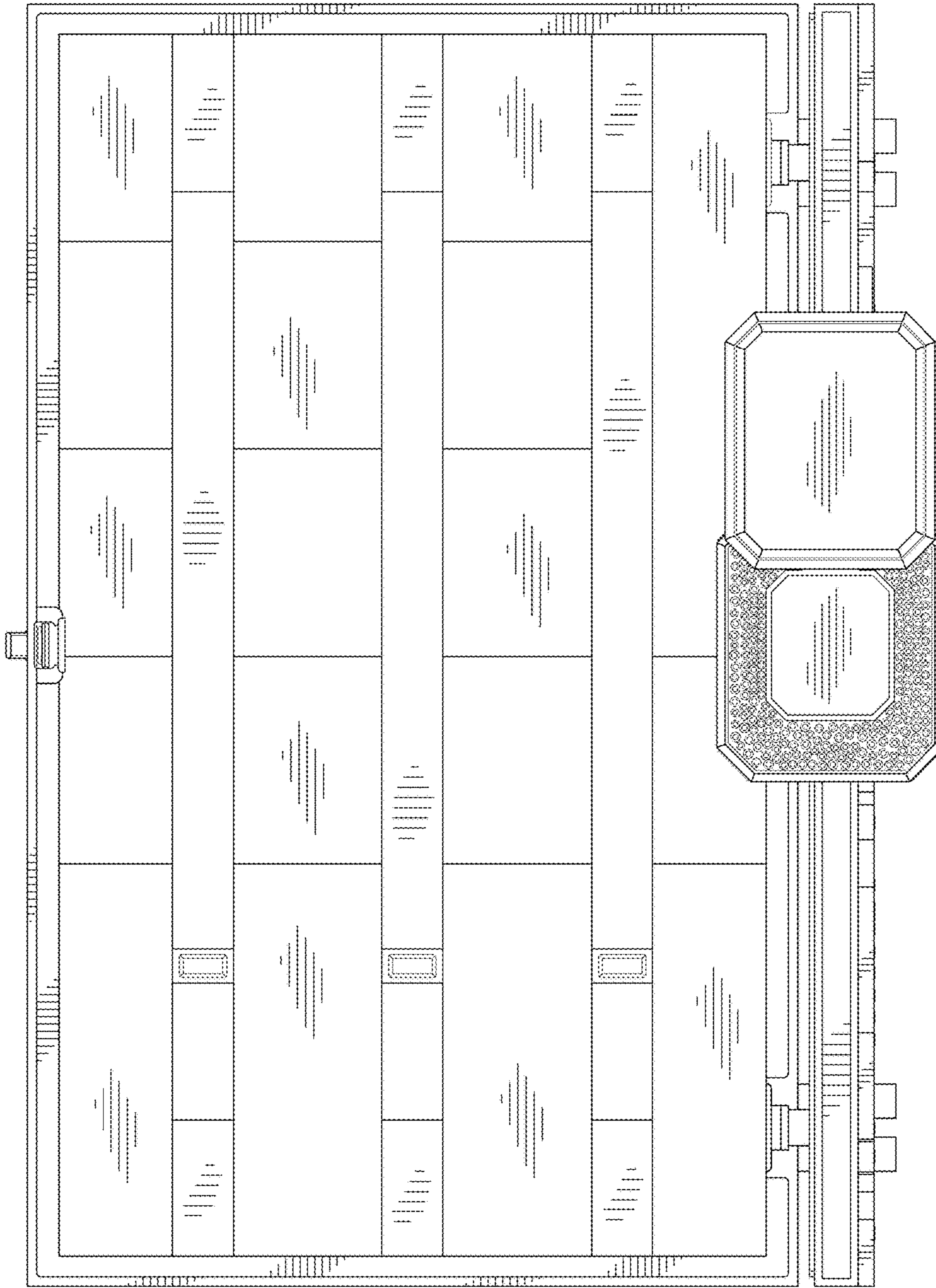


FIG. 19

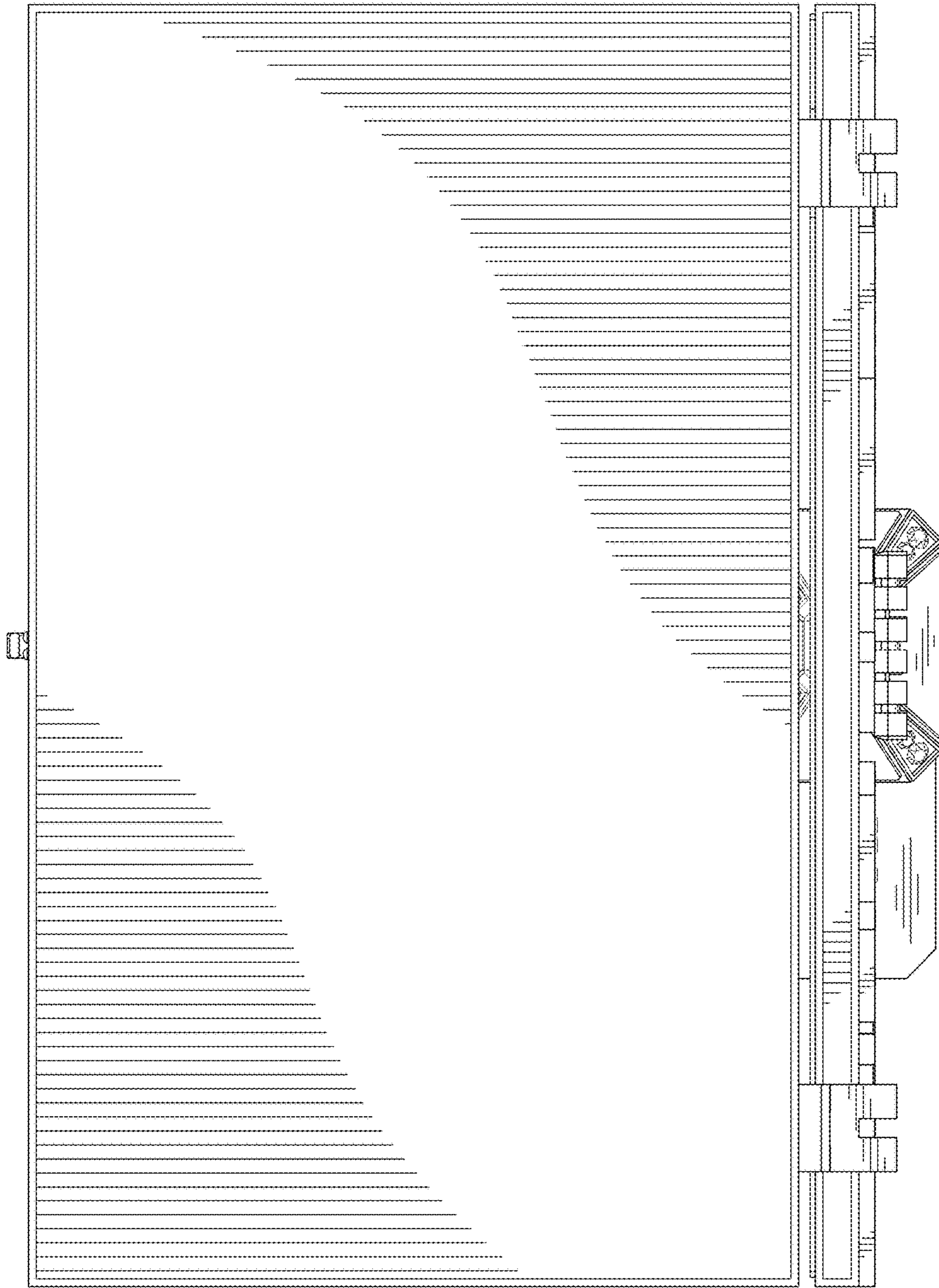


FIG. 20