



US00D841321S

(12) **United States Design Patent**
Owens

(10) **Patent No.:** **US D841,321 S**

(45) **Date of Patent:** **** Feb. 26, 2019**

(54) **HOLSTER FOR PLASTER TAPING DEVICE**

(71) Applicant: **Phaanix Pty Ltd**, Newtown, Victoria (AU)

(72) Inventor: **Daniel Luke Owens**, Newtown (AU)

(73) Assignee: **PHAANIX PTY LTD**, Newtown, Victoria (AU)

(**) Term: **15 Years**

(21) Appl. No.: **29/631,109**

(22) Filed: **Dec. 27, 2017**

(51) **LOC (11) Cl.** **03-01**

(52) **U.S. Cl.**
USPC **D3/228**

(58) **Field of Classification Search**
USPC D3/228, 226, 223, 222, 215; 224/222, 224/240, 661, 674-675, 677, 680, 224/682-683, 904, 930
CPC A45F 5/00; A45F 5/02; A45F 5/021; A45F 2200/0566; A45F 2200/0575; B25H 3/00; B25H 3/006; Y10S 224/93; Y10S 224/904
See application file for complete search history.

(56) **References Cited**

U.S. PATENT DOCUMENTS

4,828,154 A * 5/1989 Clifton, Jr. A45F 5/14
224/192
4,917,281 A * 4/1990 Ostermiller A45F 5/02
224/240

4,953,767 A * 9/1990 Bennett F41C 33/0227
224/192
D409,381 S * 5/1999 Cleveland D3/228
6,662,985 B2 * 12/2003 Harada A45F 5/02
224/661
D586,553 S * 2/2009 Kiss D3/224
2003/0213827 A1 * 11/2003 Langmuir A45F 3/02
224/625
2005/0011923 A1 * 1/2005 Cowin A45F 5/00
224/661

* cited by examiner

Primary Examiner — Catherine R Oliver-Garcia

(74) *Attorney, Agent, or Firm* — Kinney & Lange, P.A.

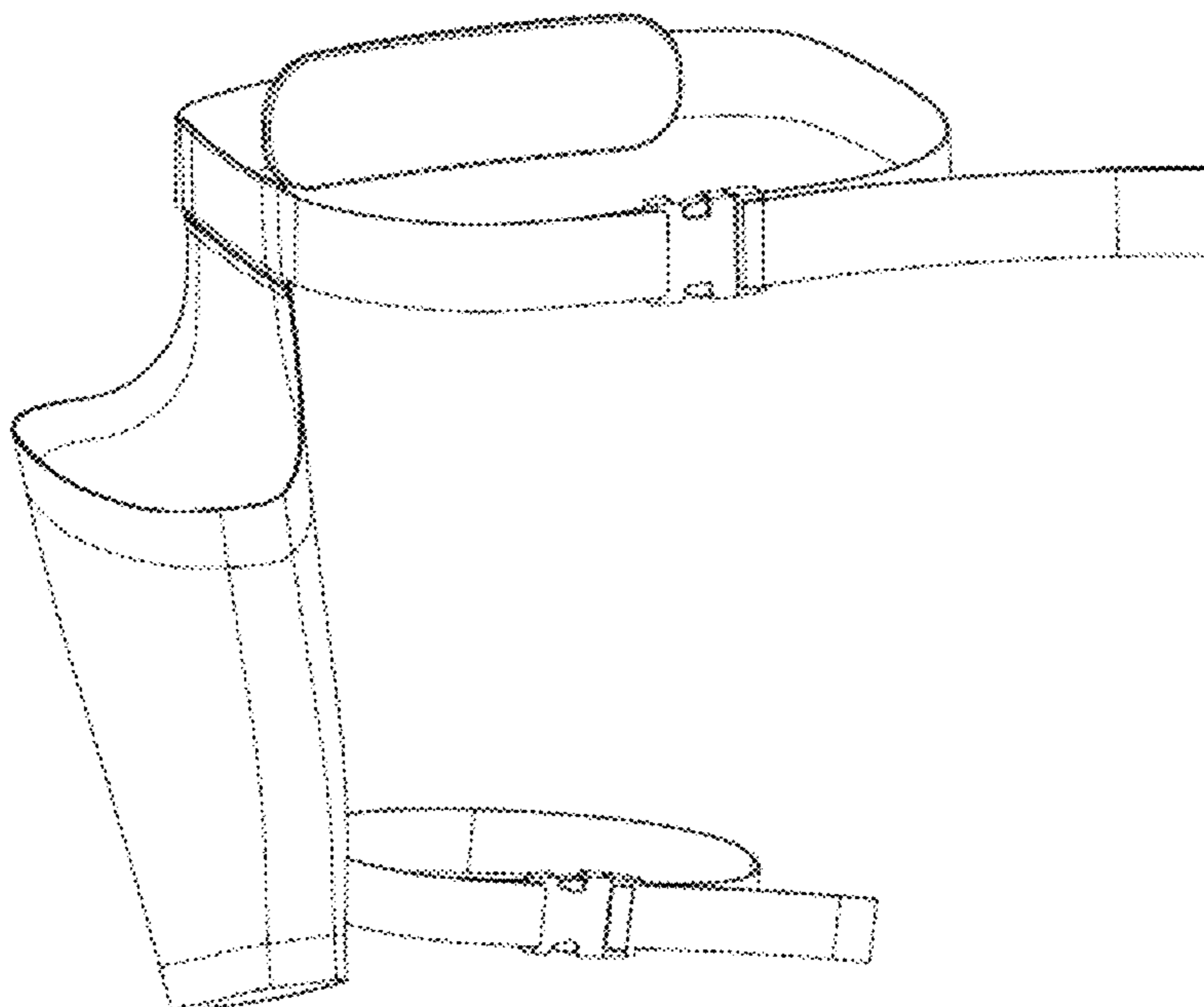
(57) **CLAIM**

The ornamental design for a holster for plaster taping device, as shown and described.

DESCRIPTION

FIG. 1 is a front and top perspective view of a holster for plaster taping device;
FIG. 2 is a front, top and side perspective view;
FIG. 3 is a rear, top and side perspective view;
FIG. 4 is a left side view;
FIG. 5 is a right side view;
FIG. 6 is a front view;
FIG. 7 is a rear view;
FIG. 8 is a top plan view; and,
FIG. 9 is a bottom plan view.

1 Claim, 9 Drawing Sheets



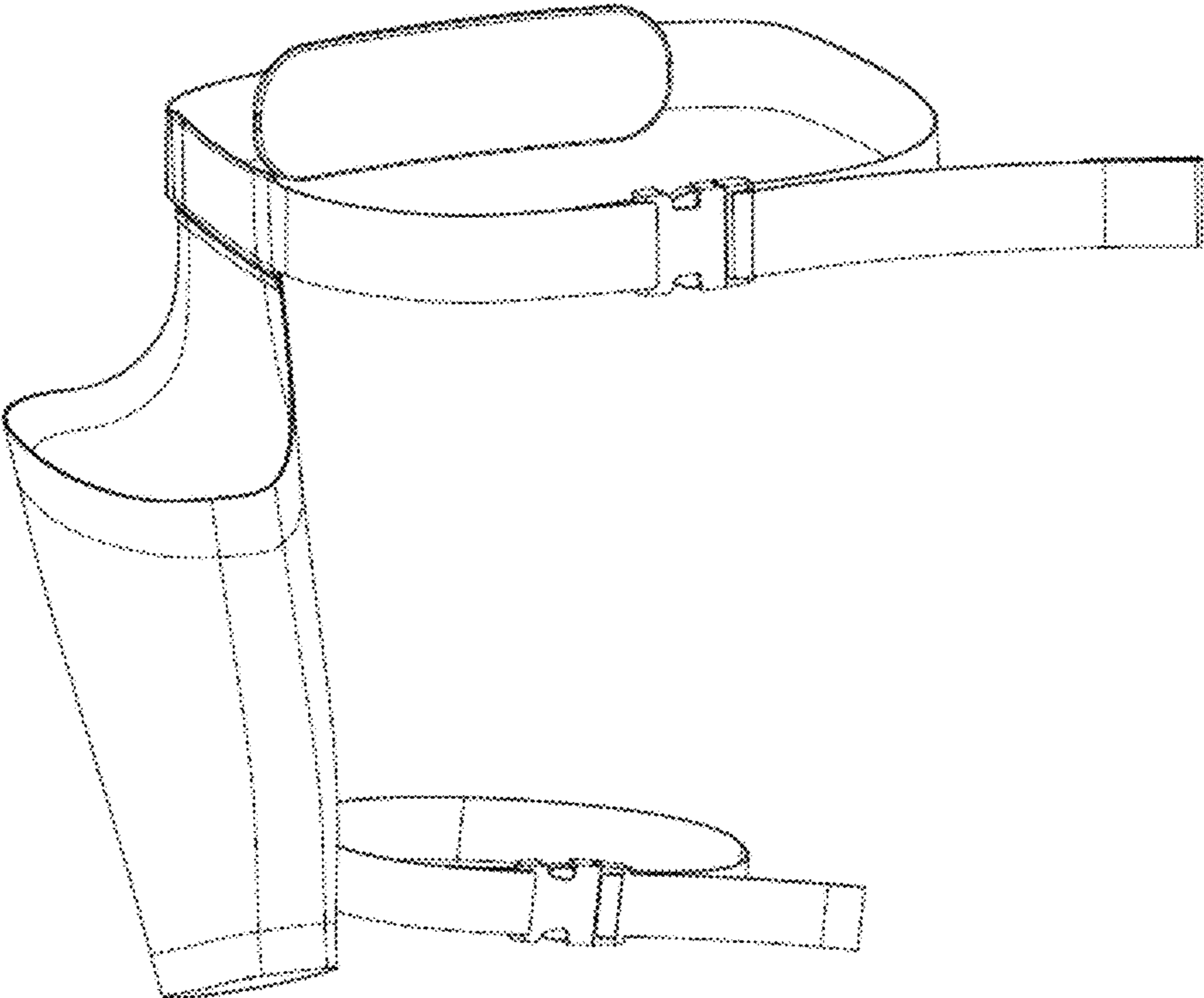


Figure 1

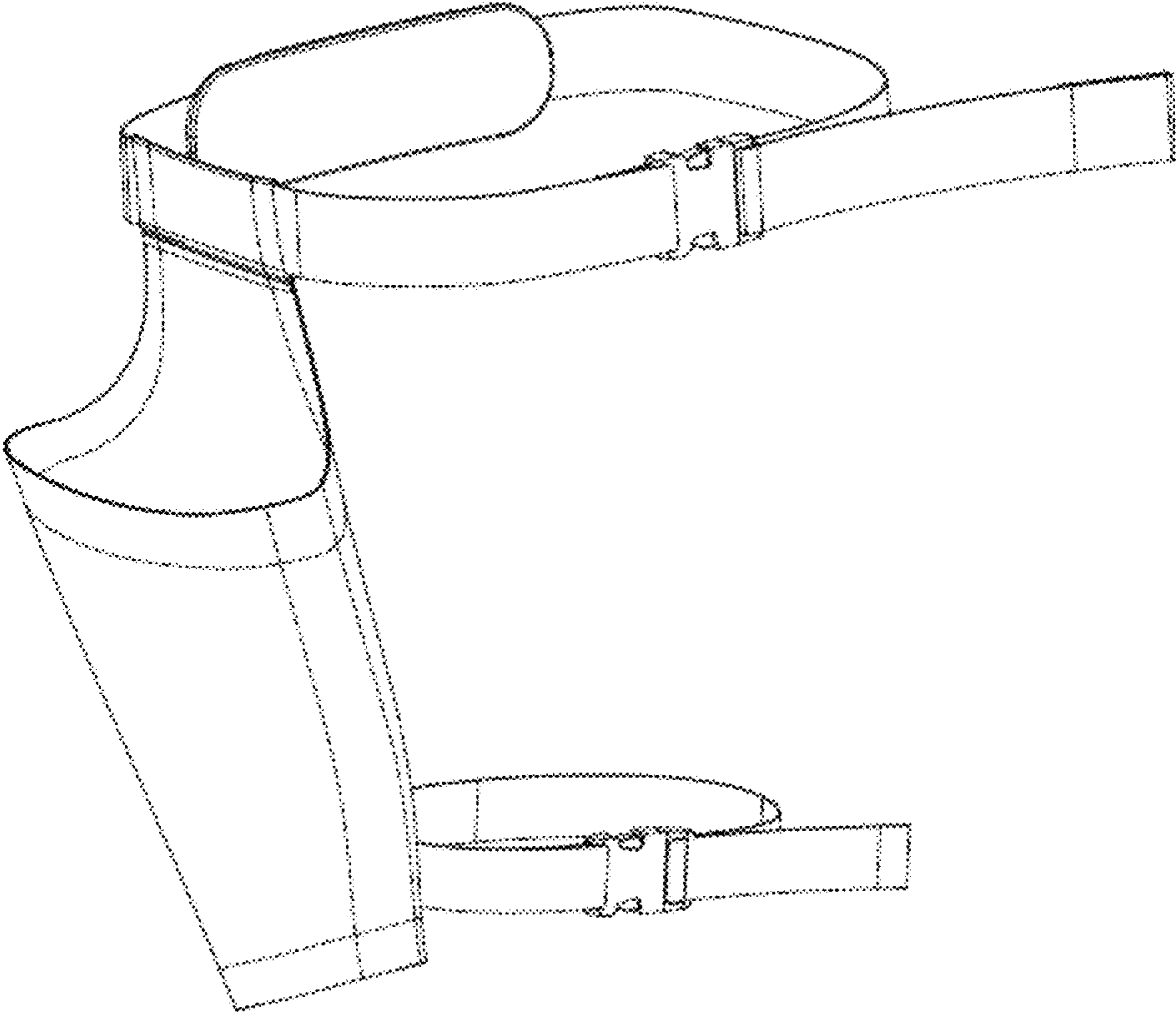


Figure 2

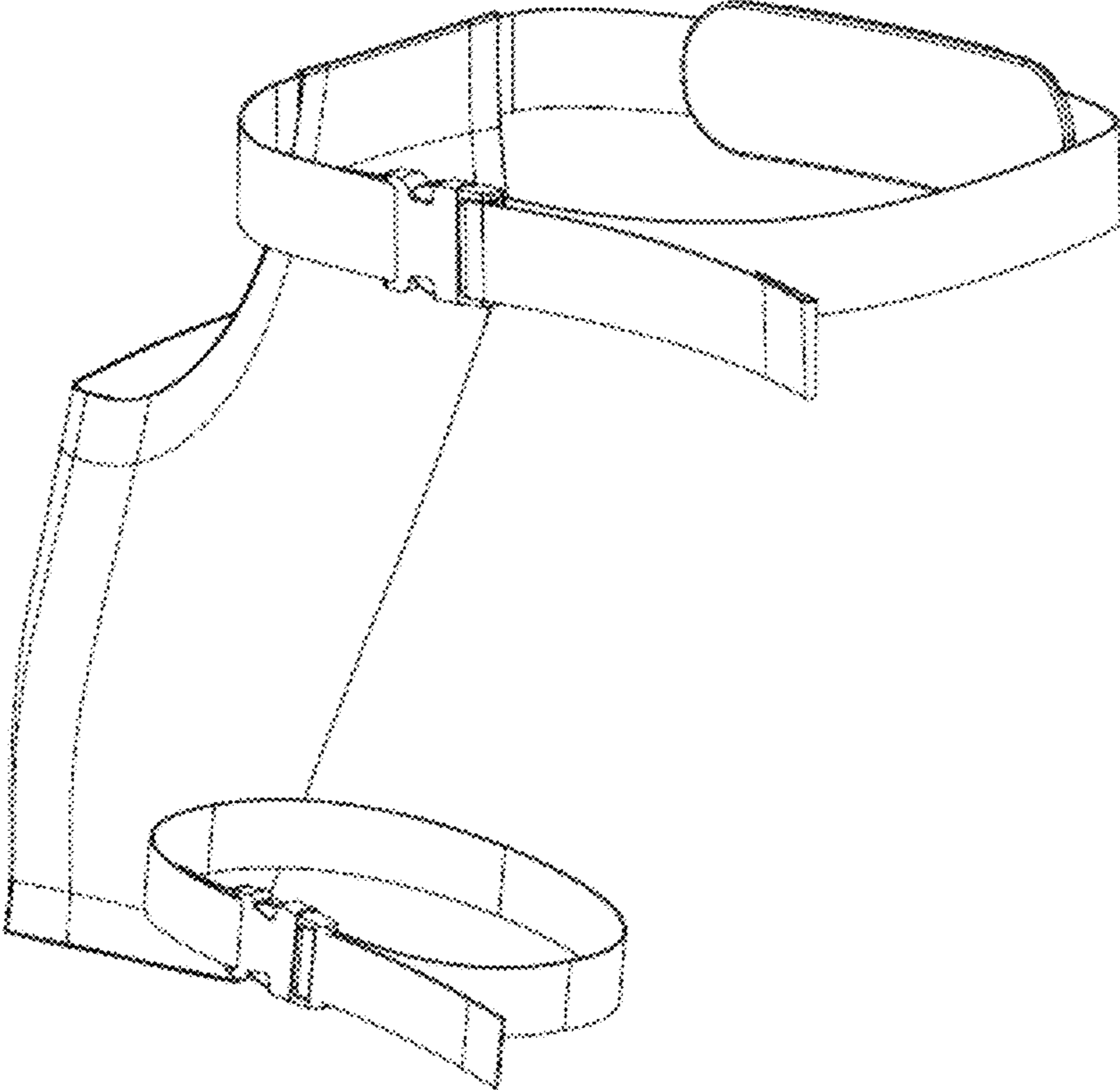


Figure 3

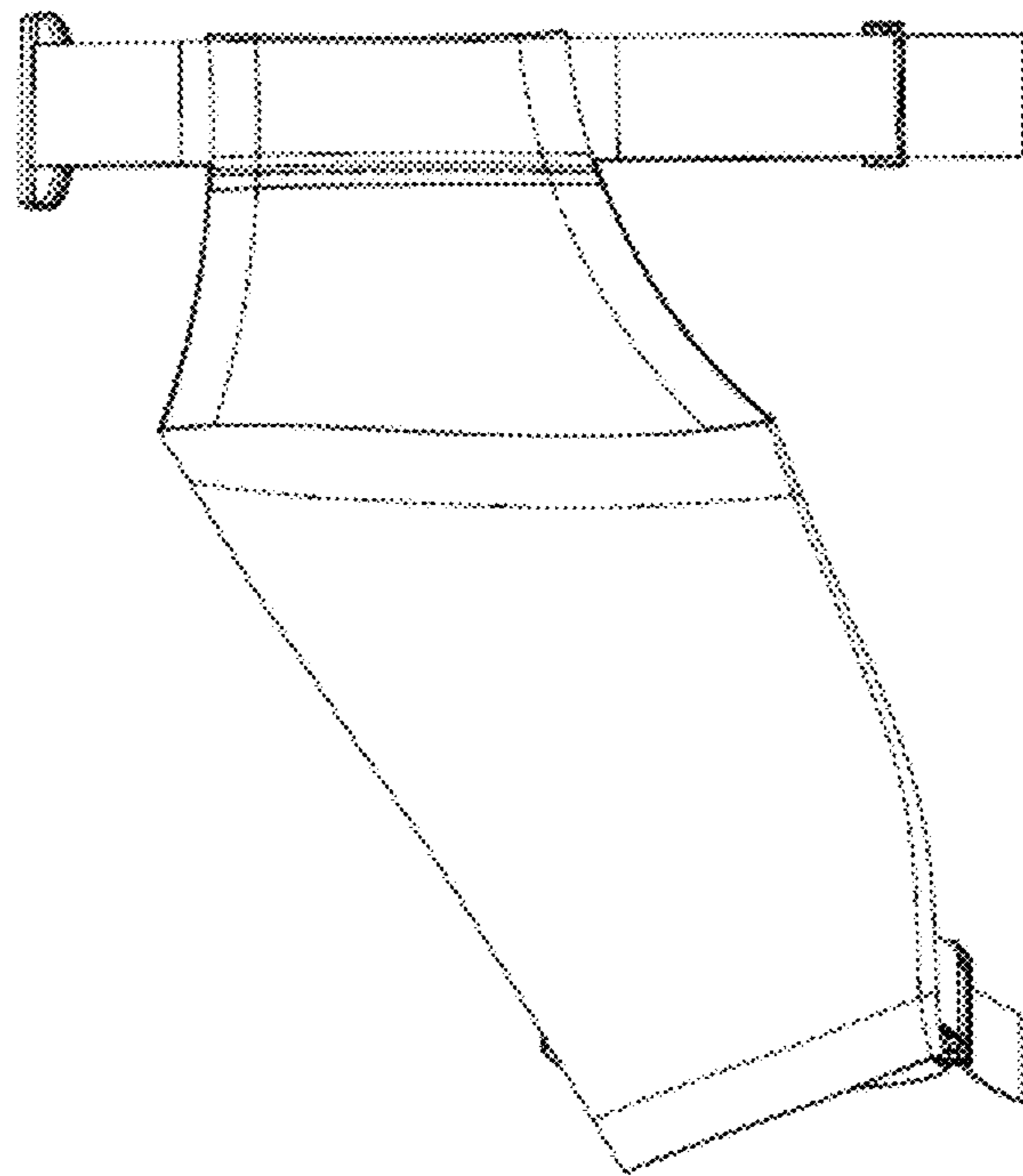


Figure 4

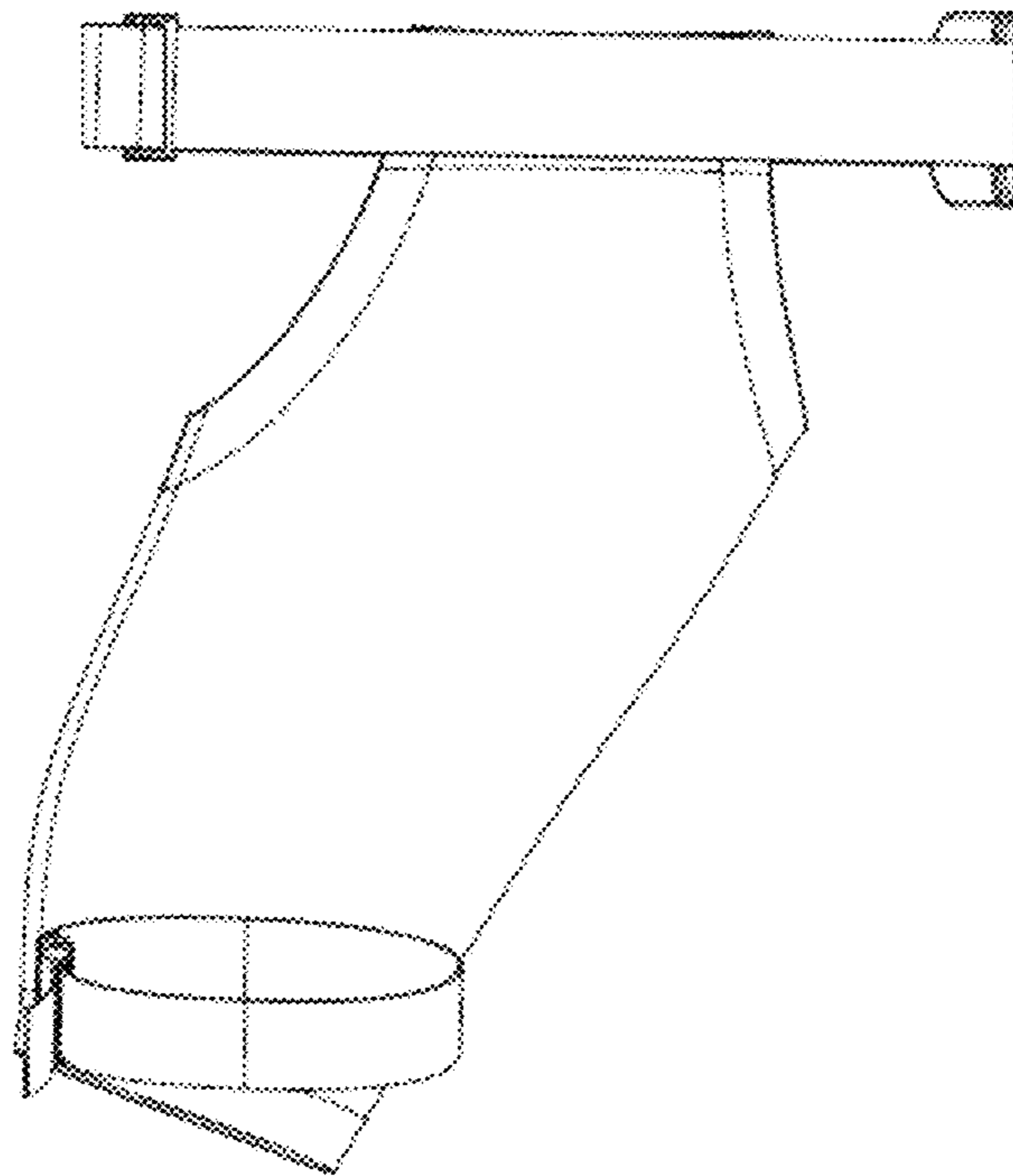


Figure 5

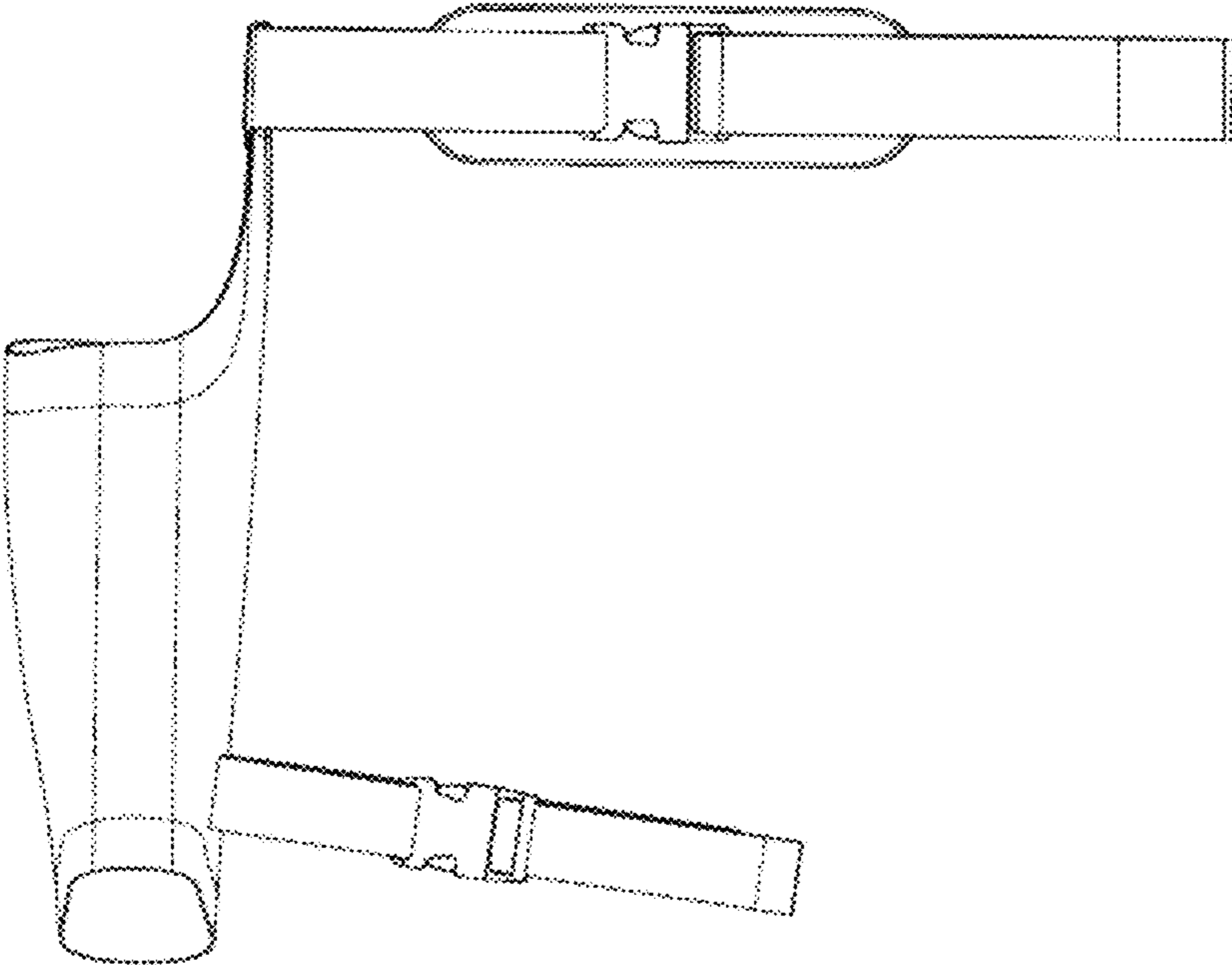


Figure 6

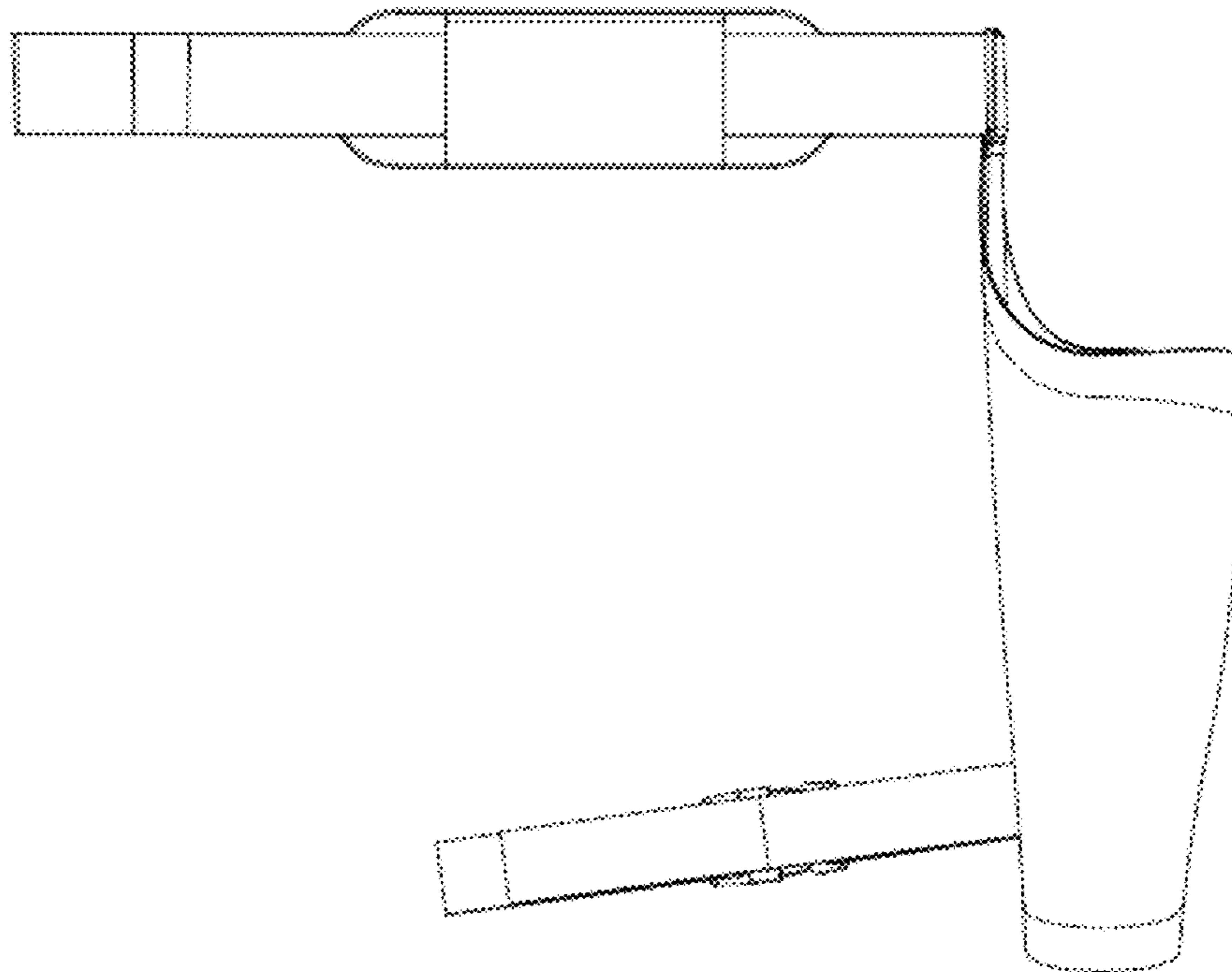


Figure 7

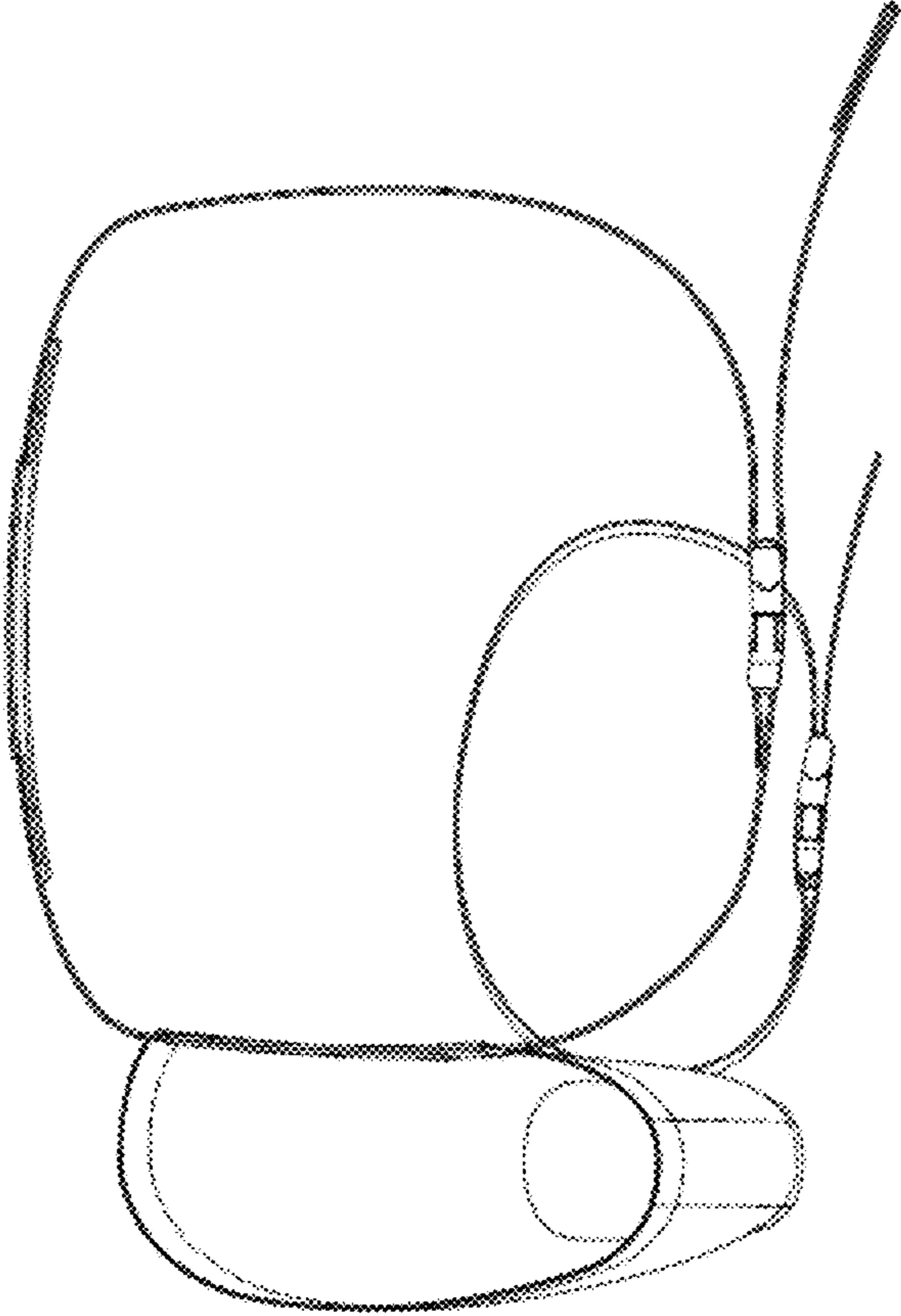


Figure 8

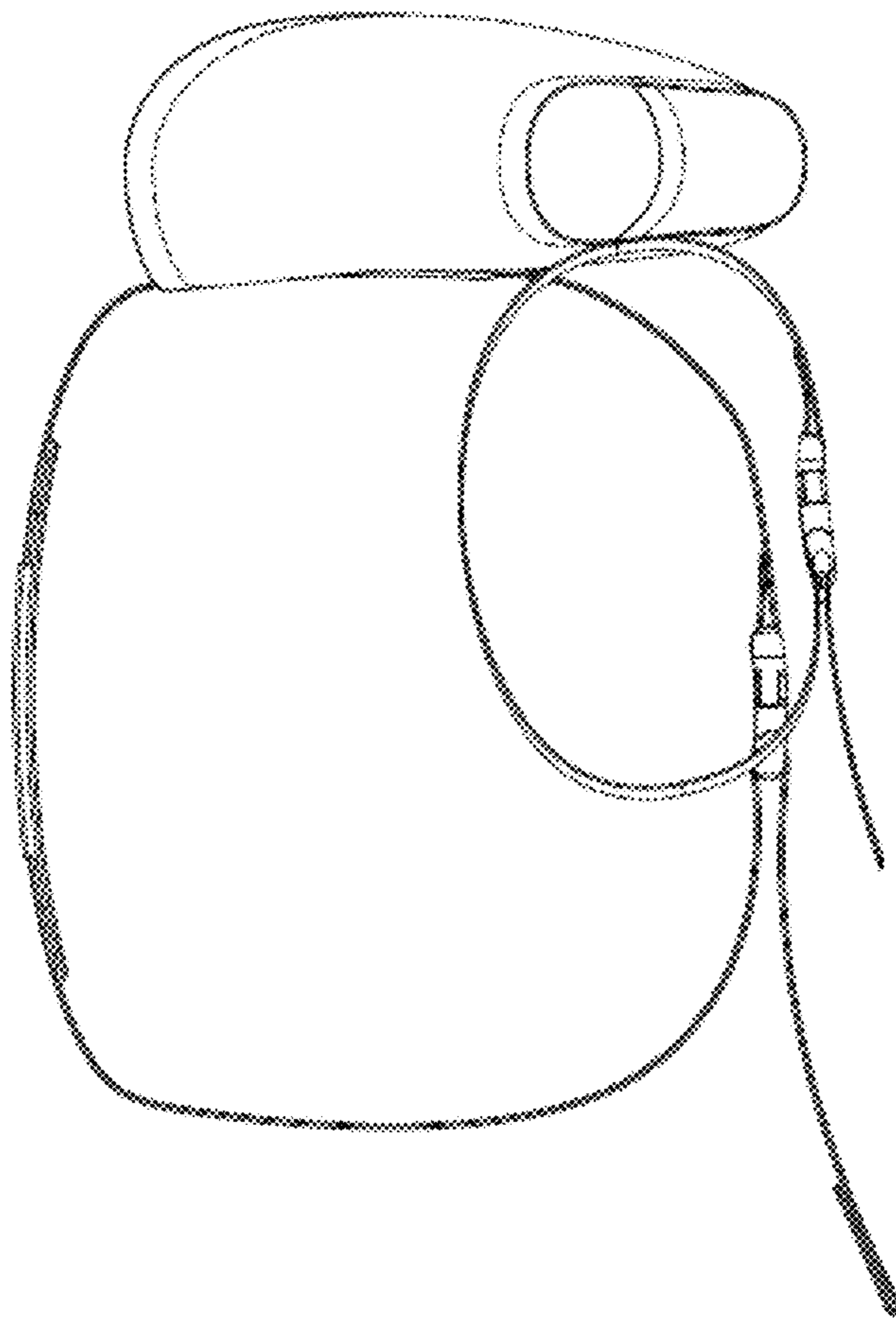


Figure 9