



US00D841319S

(12) **United States Design Patent**
Tang

(10) **Patent No.:** **US D841,319 S**

(45) **Date of Patent:** **** Feb. 26, 2019**

(54) **QUICK LOCKING AND PULLING GUN
HOLSTER**

(71) Applicant: **Feng Tang**, Guangdong (CN)

(72) Inventor: **Feng Tang**, Guangdong (CN)

(73) Assignee: **Shenzhen Tactop Industrial Co., Ltd.**,
Guangdong (CN)

(**) Term: **15 Years**

(21) Appl. No.: **29/632,326**

(22) Filed: **Jan. 6, 2018**

(51) **LOC (11) Cl.** **03-01**

(52) **U.S. Cl.**
USPC **D3/222**

(58) **Field of Classification Search**

USPC D3/222-223, 269; 224/163, 192-193,
224/197-198, 238, 243-244, 349, 587,
224/665, 682, 901.4, 911-912, 246;
89/34; 42/106

CPC .. A45F 5/00; A45F 5/021; A45F 5/022; A45F
2200/05; A45F 2005/05; A45F 2200/025;
A45F 2200/0591; F41C 33/06; F41C
33/045; F41C 33/0227; F41C 33/0263

See application file for complete search history.

(56) **References Cited**

U.S. PATENT DOCUMENTS

4,003,507 A *	1/1977	Elton	F41C 33/0227 224/246
7,841,497 B1 *	11/2010	Gregory	F41C 33/045 224/243
8,235,263 B1 *	8/2012	Yeates	F41C 33/0263 224/193
8,720,755 B2 *	5/2014	Gregory	F41C 33/0263 224/244

* cited by examiner

Primary Examiner — Catherine R Oliver-Garcia

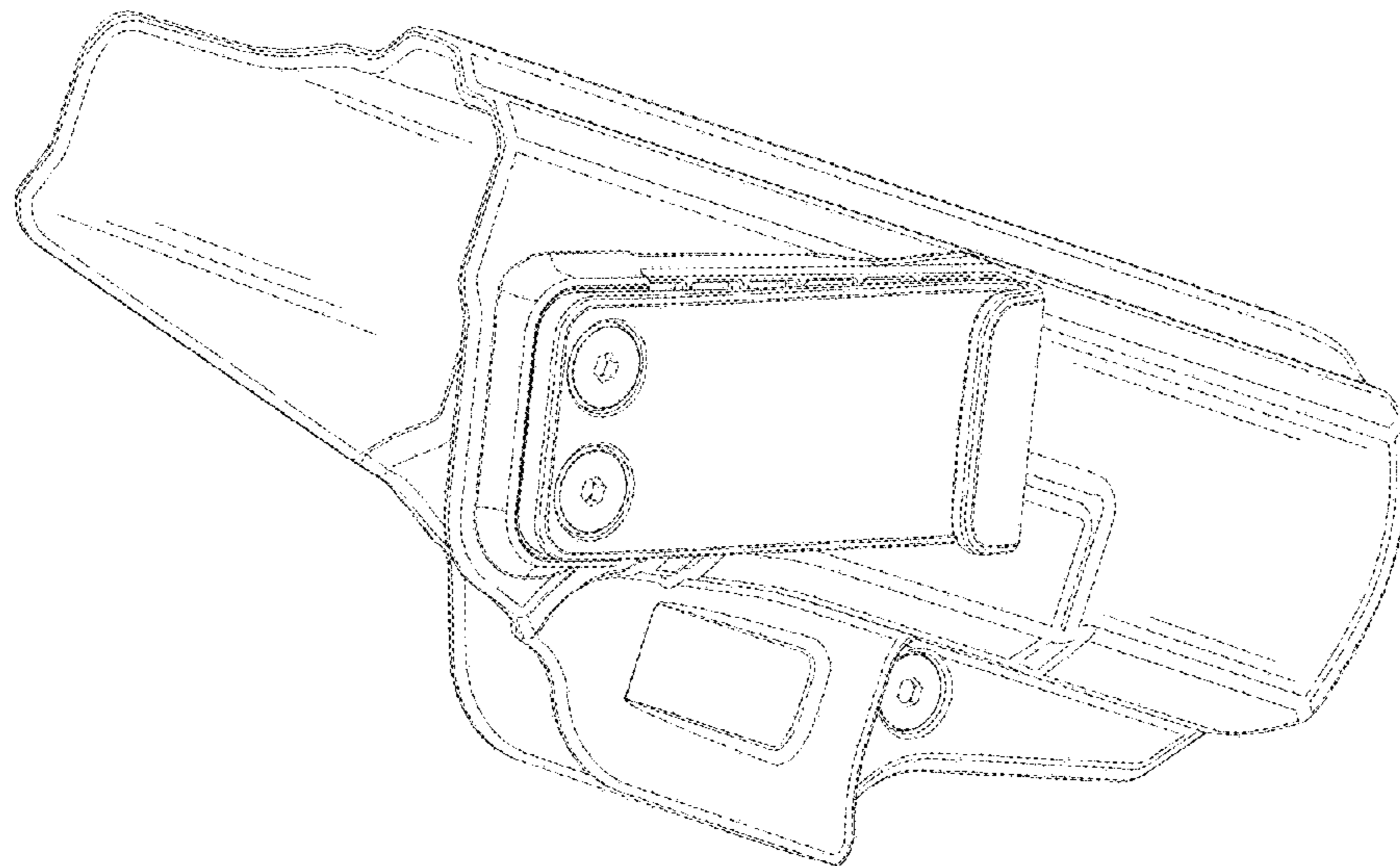
(57) **CLAIM**

I claim the ornamental design for a quick locking and pulling gun holster, as shown and described.

DESCRIPTION

FIG. 1 is a perspective view of a quick locking and pulling gun holster showing my new design;
FIG. 2 is a front elevational view thereof;
FIG. 3 is a top plan view thereof;
FIG. 4 is a left side elevational view thereof;
FIG. 5 is a rear elevational view thereof;
FIG. 6 is a right side view thereof; and,
FIG. 7 is a bottom plan view thereof.

1 Claim, 7 Drawing Sheets



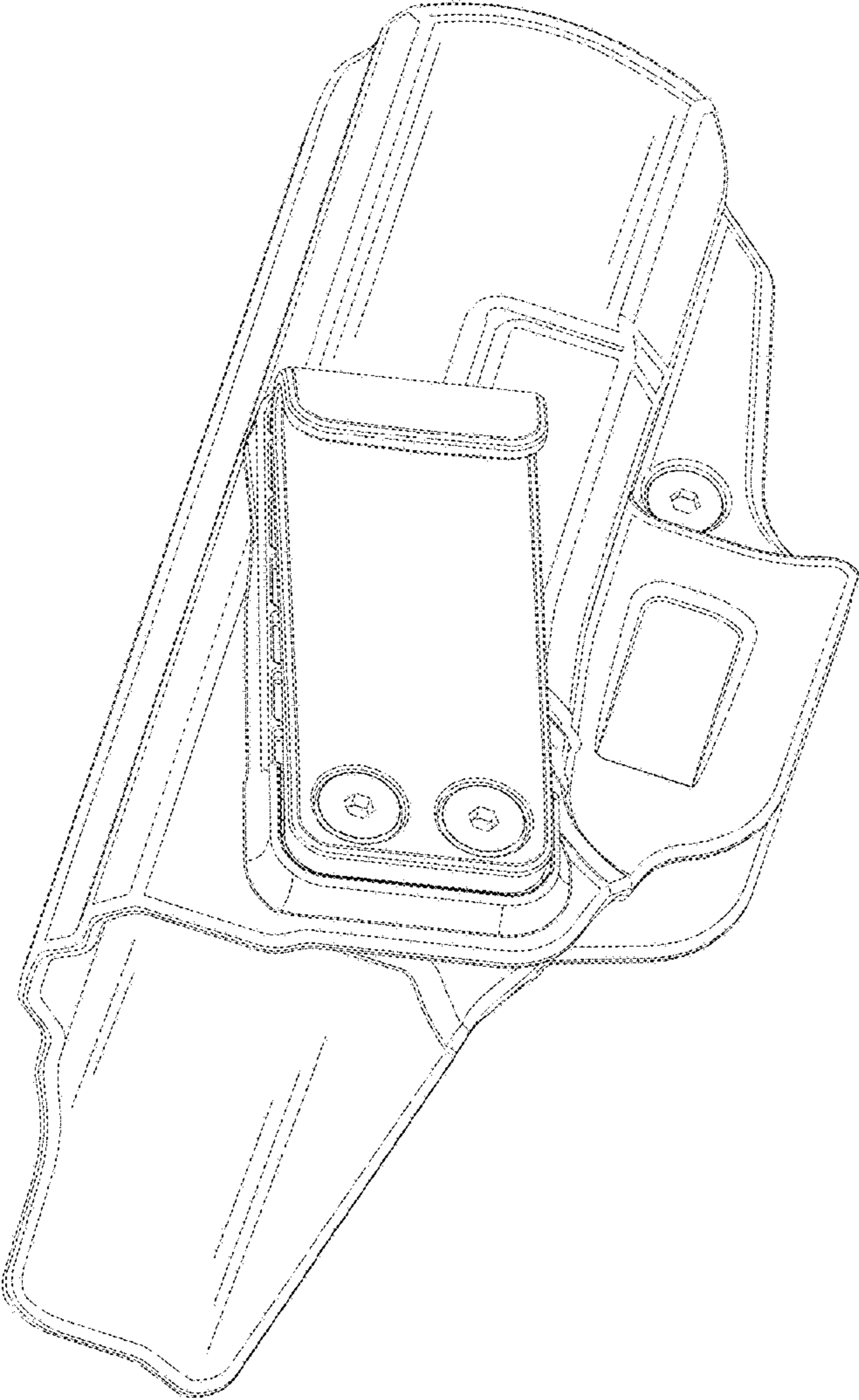


FIG. 1

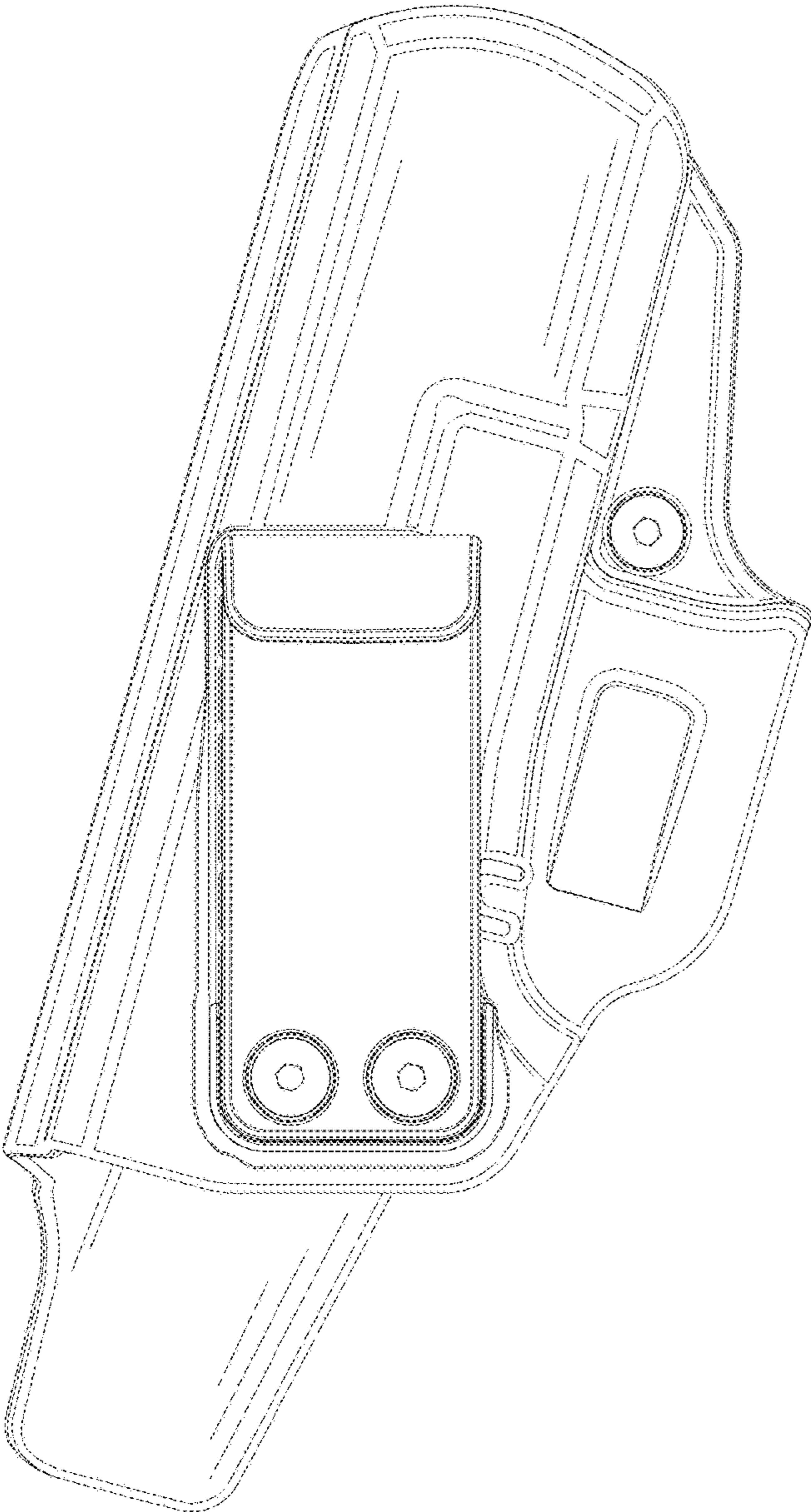


FIG. 2

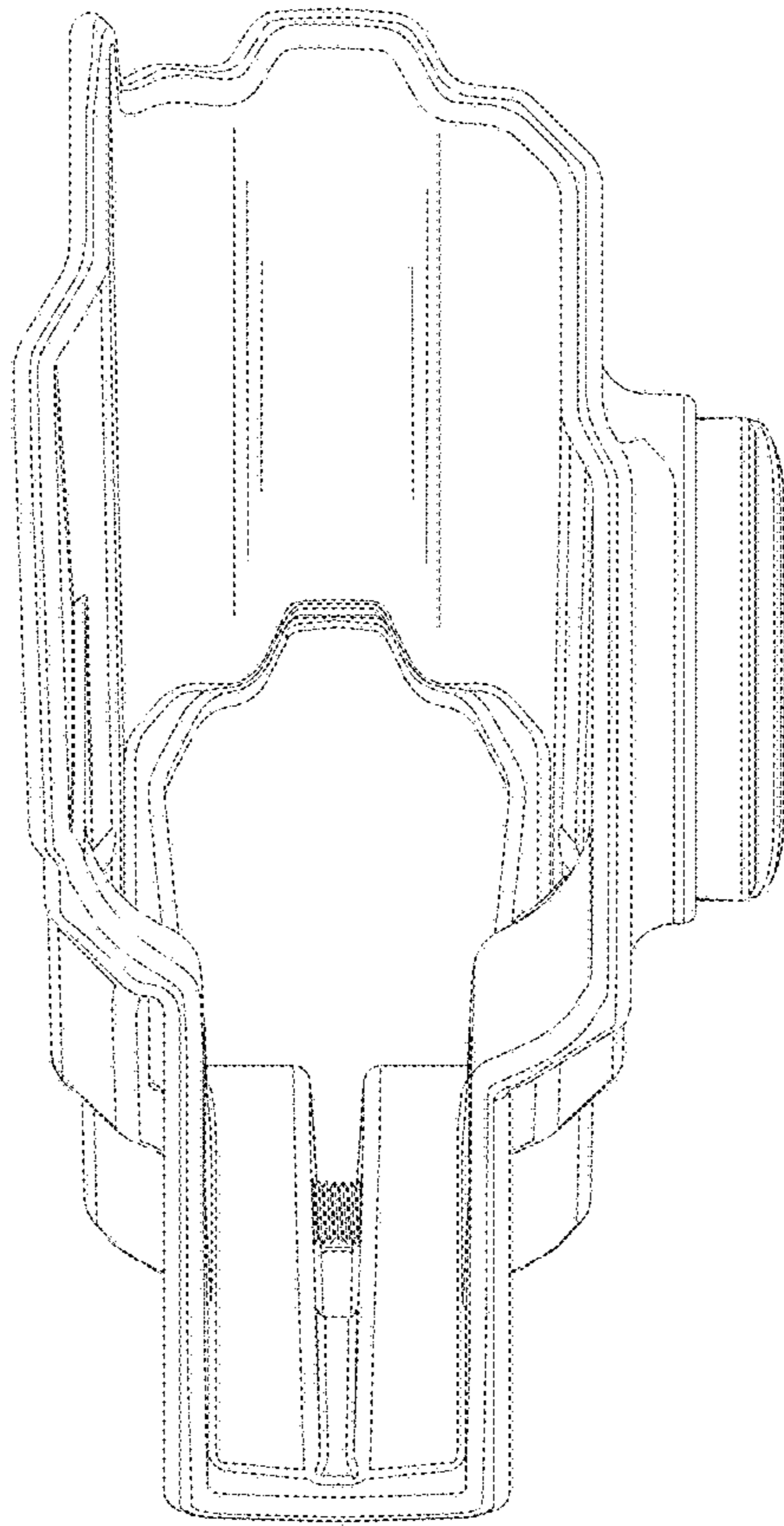


FIG. 3

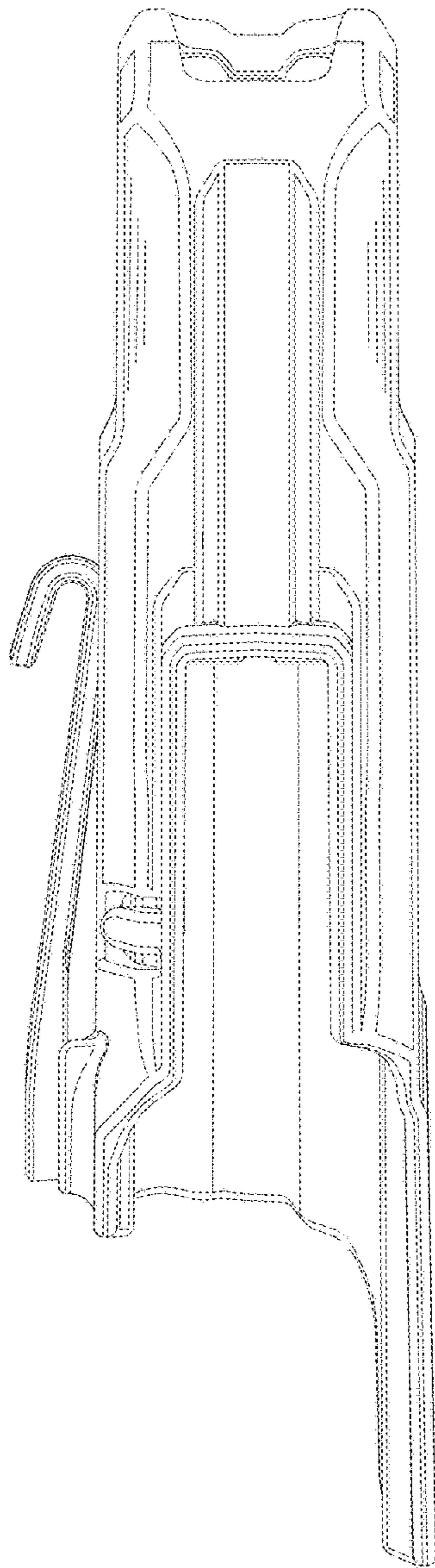


FIG. 4

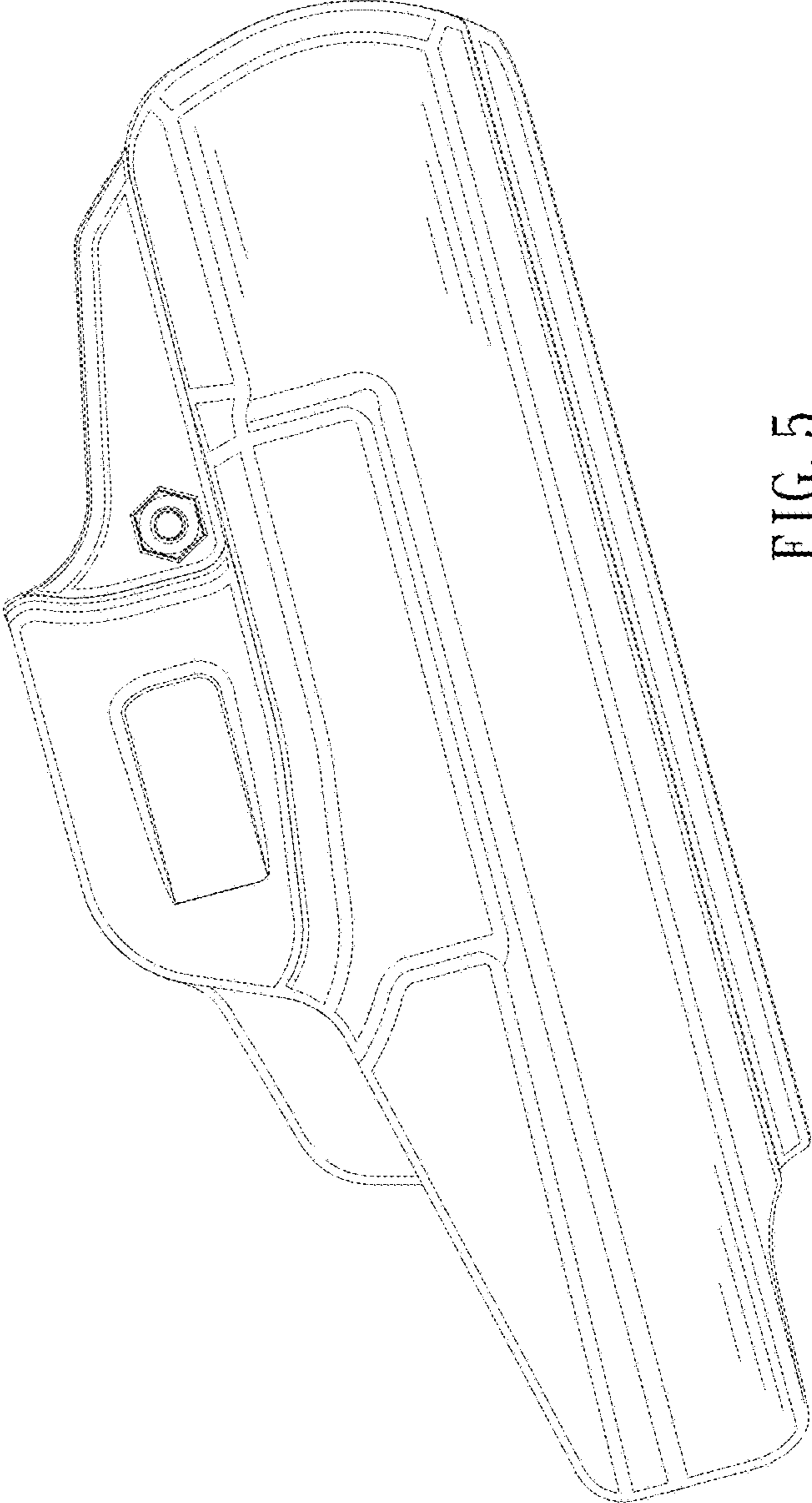


FIG. 5

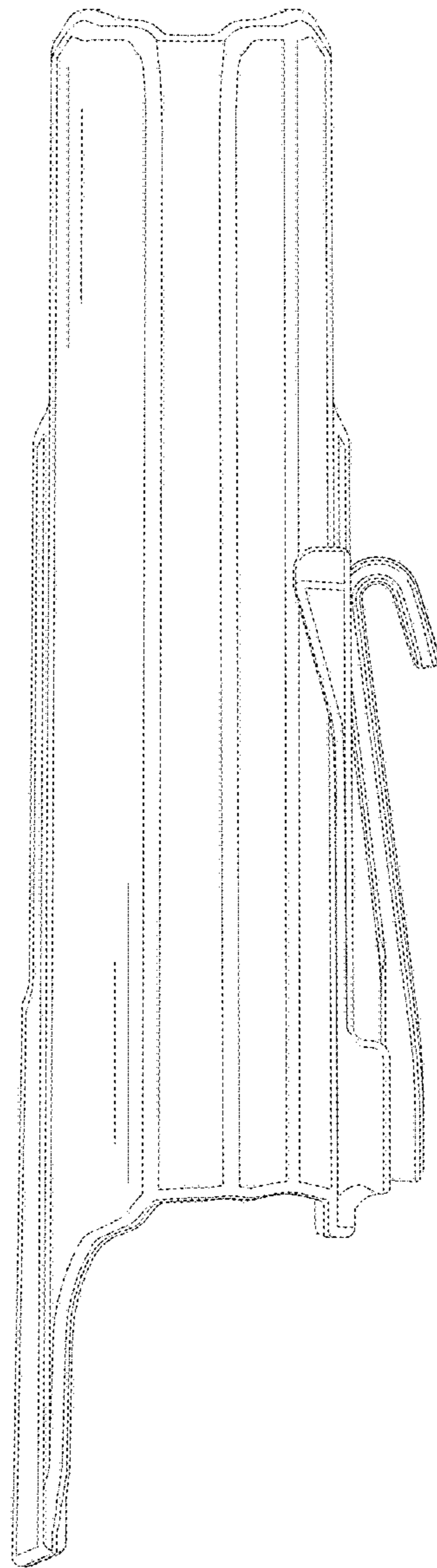


FIG. 6

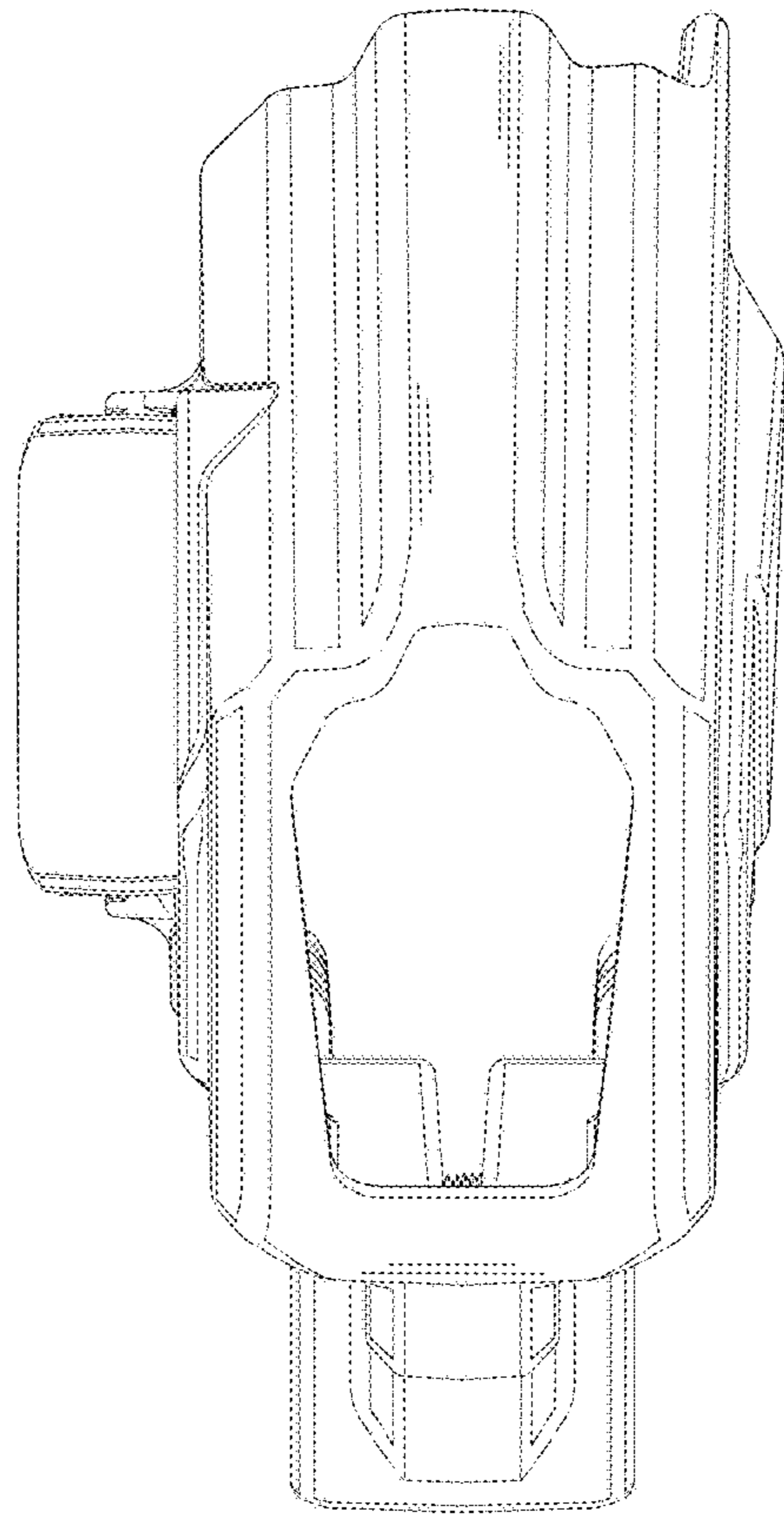


FIG. 7