



US00D841318S

(12) **United States Design Patent** (10) **Patent No.:** **US D841,318 S**
Carter et al. (45) **Date of Patent:** **** Feb. 26, 2019**

(54) **BACKPACK**

(71) Applicant: **Skip Hop, Inc.**, New York, NY (US)

(72) Inventors: **Chelsea Carter**, Jersey City, NJ (US);
Ellen Diamant, New York, NY (US)

(73) Assignee: **SKIP HOP, INC.**, New York, NY (US)

(**) Term: **15 Years**

(21) Appl. No.: **29/597,627**

(22) Filed: **Mar. 17, 2017**

(51) **LOC (11) Cl.** **03-01**

(52) **U.S. Cl.**

USPC **D3/217**

(58) **Field of Classification Search**

USPC D3/216, 217, 233, 235, 268, 267, 271.2,
D3/274, 285, 283, 303, 214

CPC F41H 1/02; A45C 3/08; A45C 3/06; A45C
3/00; A45C 3/001; A45C 3/04; A45C
7/0077; A45C 15/06; A45F 3/04; A45F
2003/045

See application file for complete search history.

(56) **References Cited**

U.S. PATENT DOCUMENTS

D432,298 S *	10/2000	Markowitz	D3/216
D451,274 S *	12/2001	Kegels	D3/216
D458,444 S *	6/2002	Clark	D3/216
D554,863 S *	11/2007	Ayala	D3/279
D706,027 S *	6/2014	Hock	D3/216
D714,541 S *	10/2014	Anderson	D3/217
D742,631 S *	11/2015	Kim	D3/217
D749,316 S *	2/2016	Lee	D3/217
D775,816 S *	1/2017	Slimane	D3/217
D784,685 S *	4/2017	Newson	D3/217

D794,947 S *	8/2017	Gavriel	D3/217
D803,563 S *	11/2017	Leblanc	D3/289
2002/0139820 A1 *	10/2002	Godshaw	A45F 3/04 224/153

OTHER PUBLICATIONS

Fall n Design, "Monopoly Nuevo mini office leather backpack with tassel", Reviewed on Jun. 13, 2016. (<https://www.fallindesign.com/monopoly-nuevo-mini-office-leather-backpack-with-tassel/>).*

Nordstrom, "Faux Leather Mini Backpack", First reviewed Apr. 14, 2017. (<https://shop.nordstrom.com/s/bp-faux-leather-mini-backpack/4859006>).*

Amazon, "Skip Hop Greenwich Simply Chic Diaper Backpack, Smoke", First reviewed May 21, 2017. (<https://www.amazon.com/Skip-Hop-Greenwich-Simply-Backpack/dp/B071YQ1M28/>).*

* cited by examiner

Primary Examiner — Jennifer Rivard

Assistant Examiner — April Rivas

(74) *Attorney, Agent, or Firm* — Stephen J. Weyer, Esq.;
Stites & Harbison, PLLC

(57) **CLAIM**

The ornamental design for a backpack, as shown and described.

DESCRIPTION

FIG. 1 is a top, front and right side perspective view of the backpack in accordance with our design.

FIG. 2 is a left side elevational view thereof.

FIG. 3 is a right side elevational view thereof.

FIG. 4 is a bottom plan view thereof.

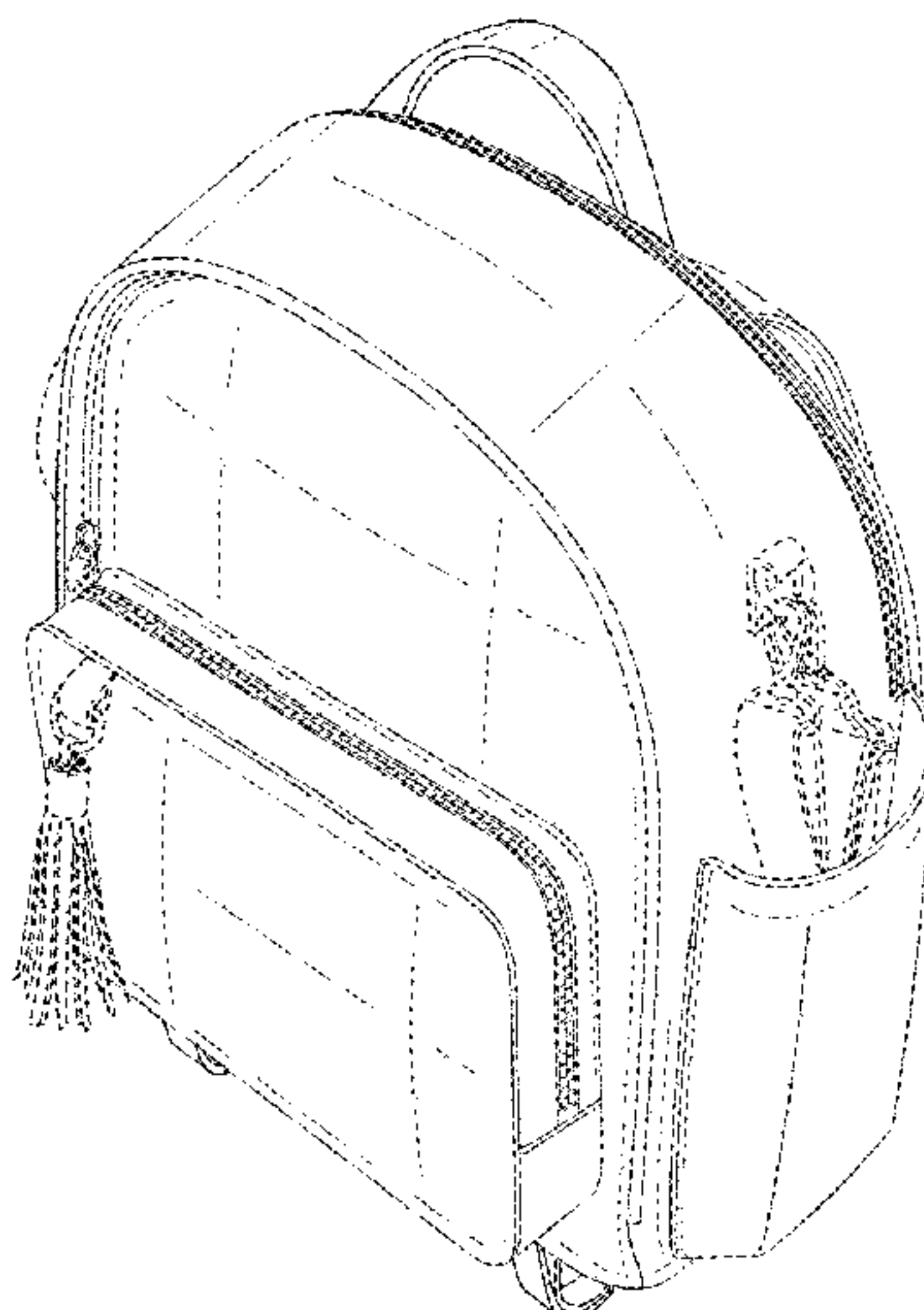
FIG. 5 is a top plan view thereof.

FIG. 6 is a front elevational view thereof; and,

FIG. 7 is a rear elevational view thereof.

The elements drawn as broken lines show aspects of the backpack and form no part of the claimed design.

1 Claim, 7 Drawing Sheets



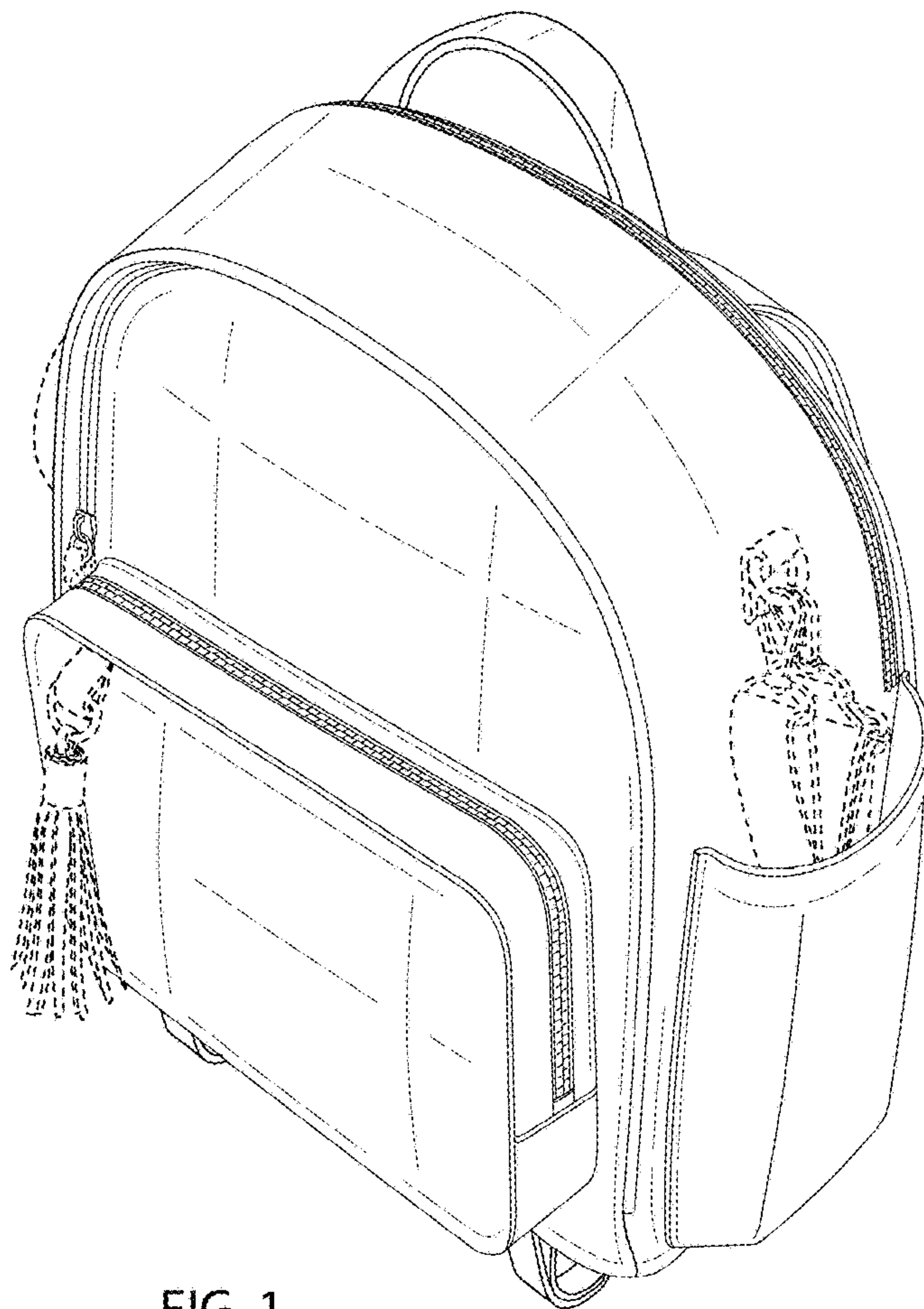


FIG. 1

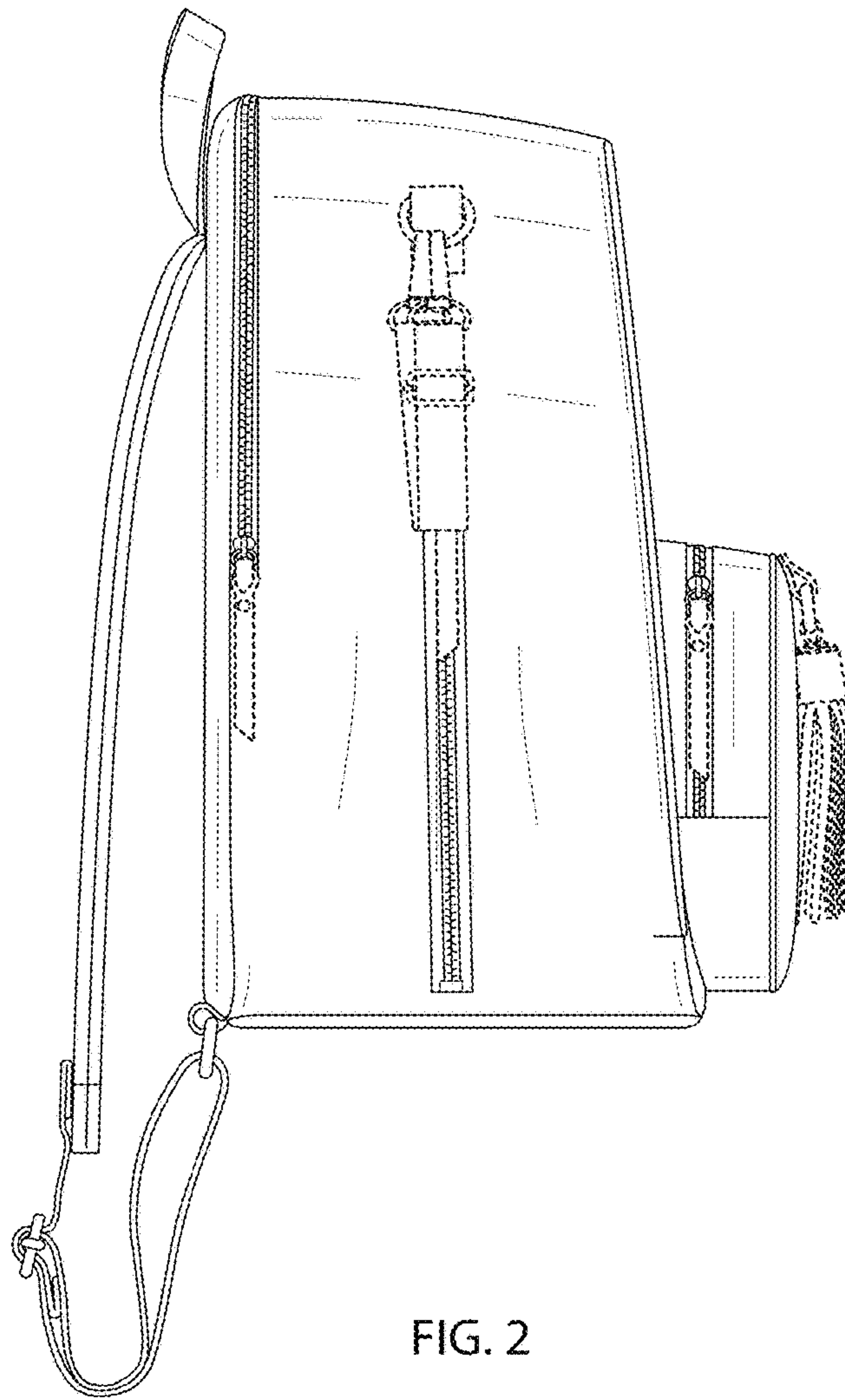


FIG. 2

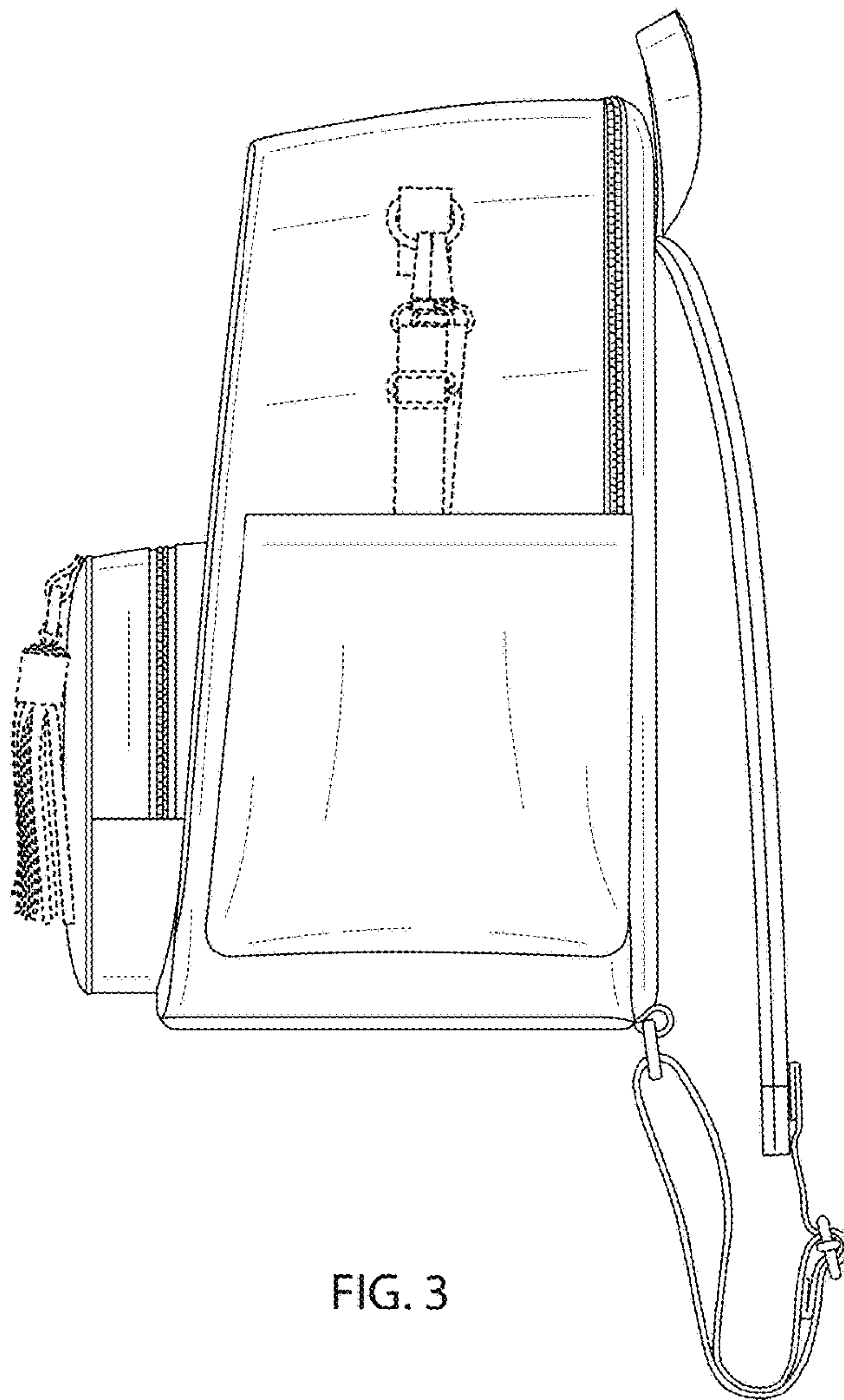


FIG. 3

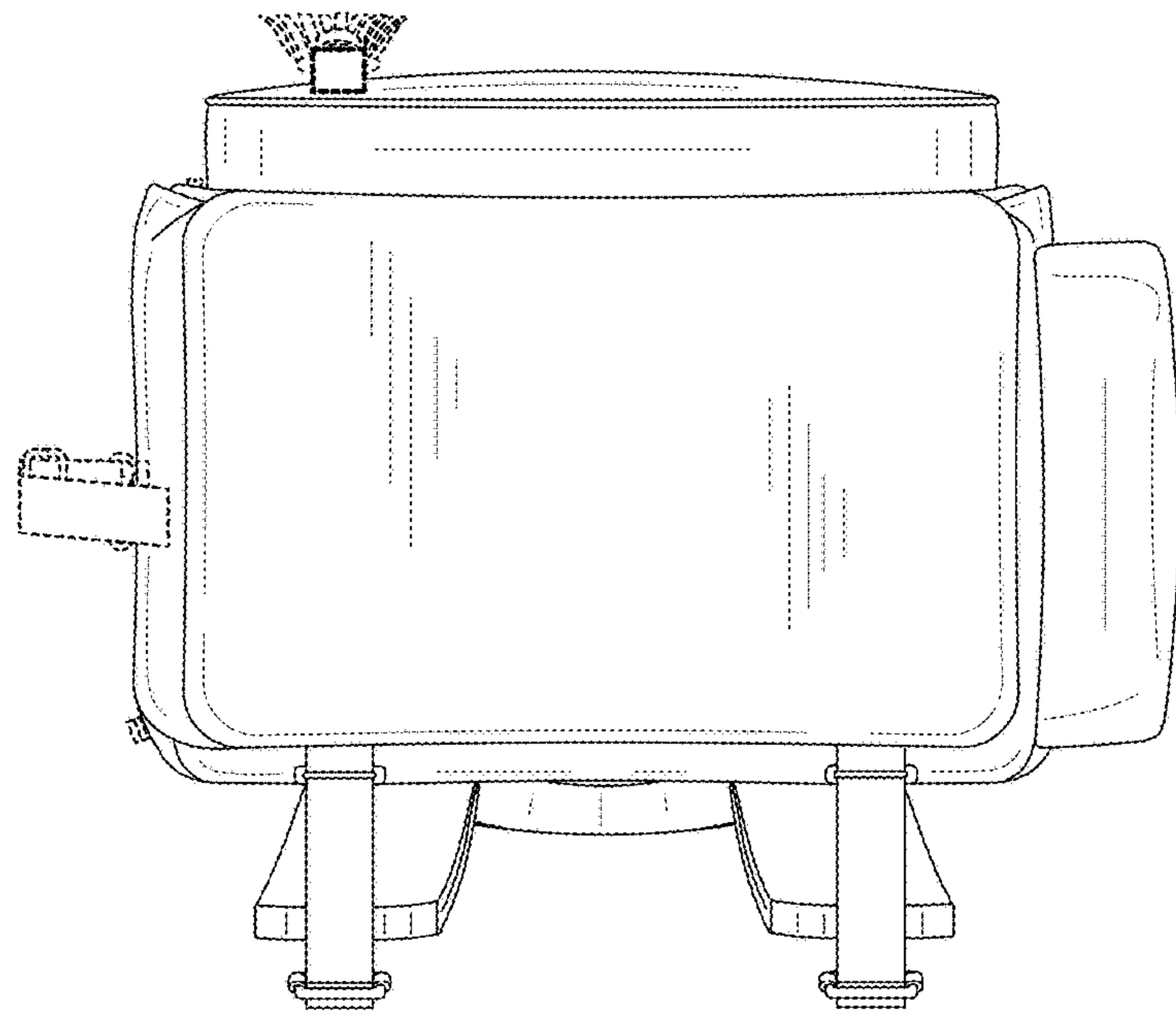


FIG. 4

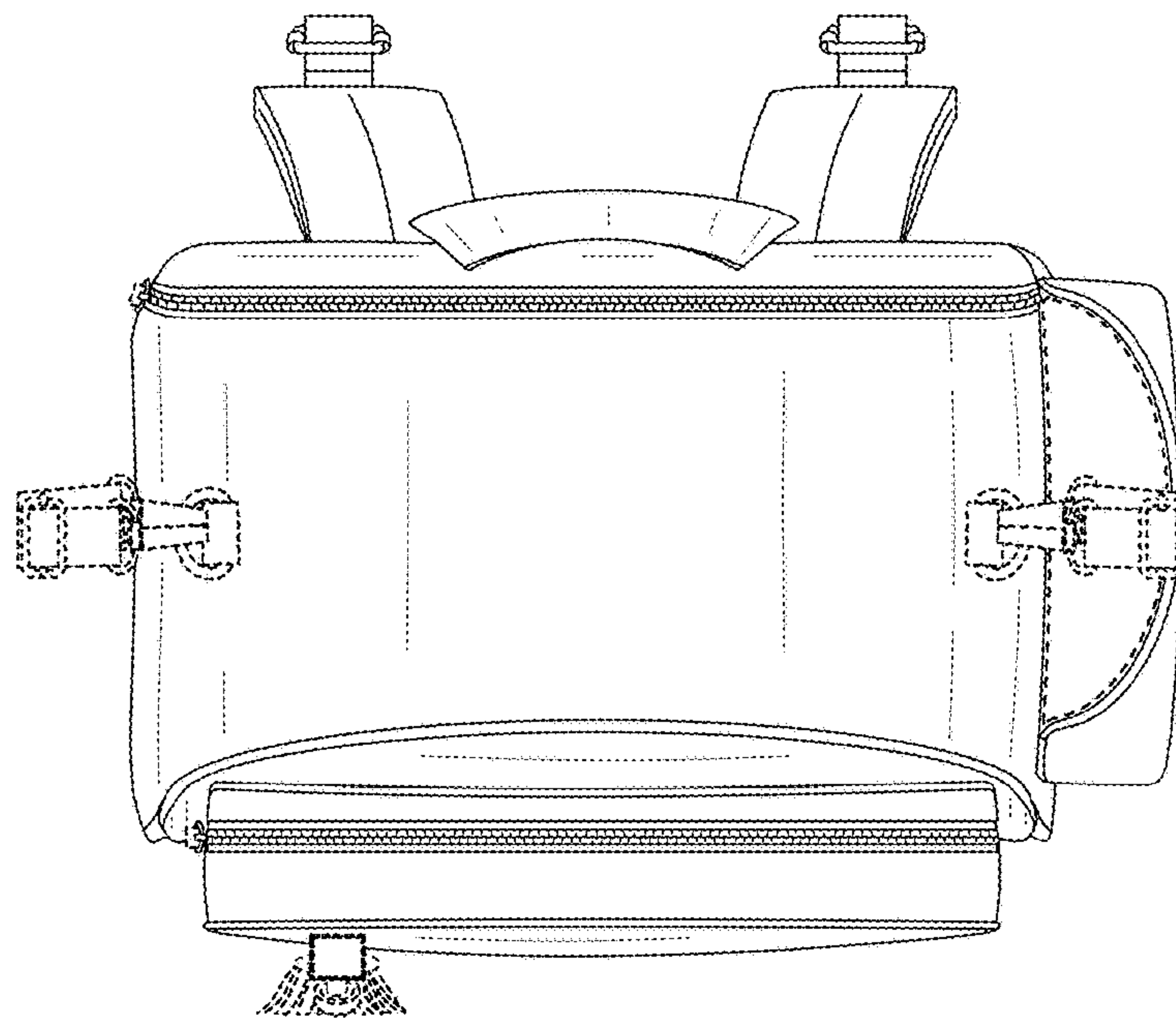


FIG. 5

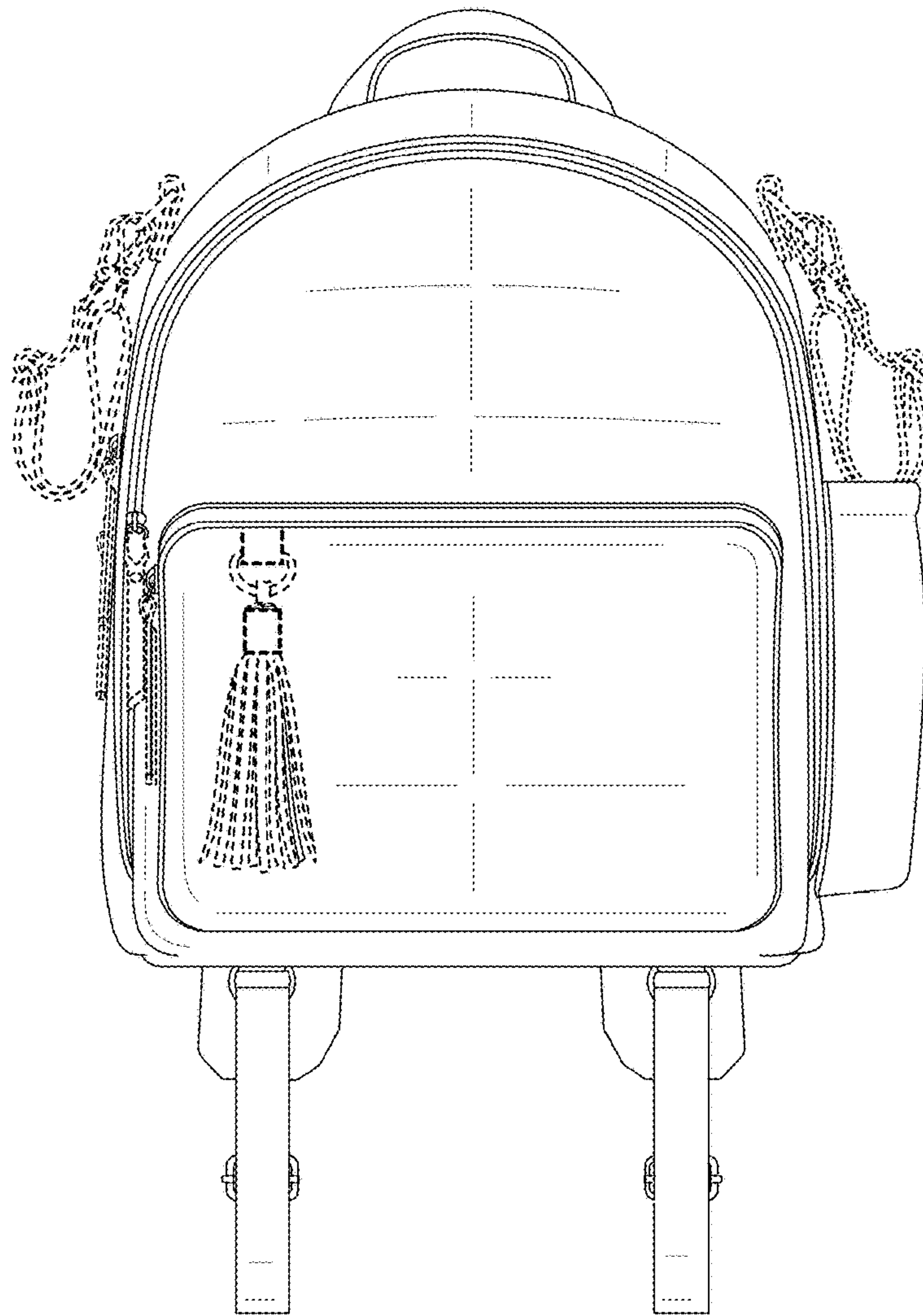


FIG. 6

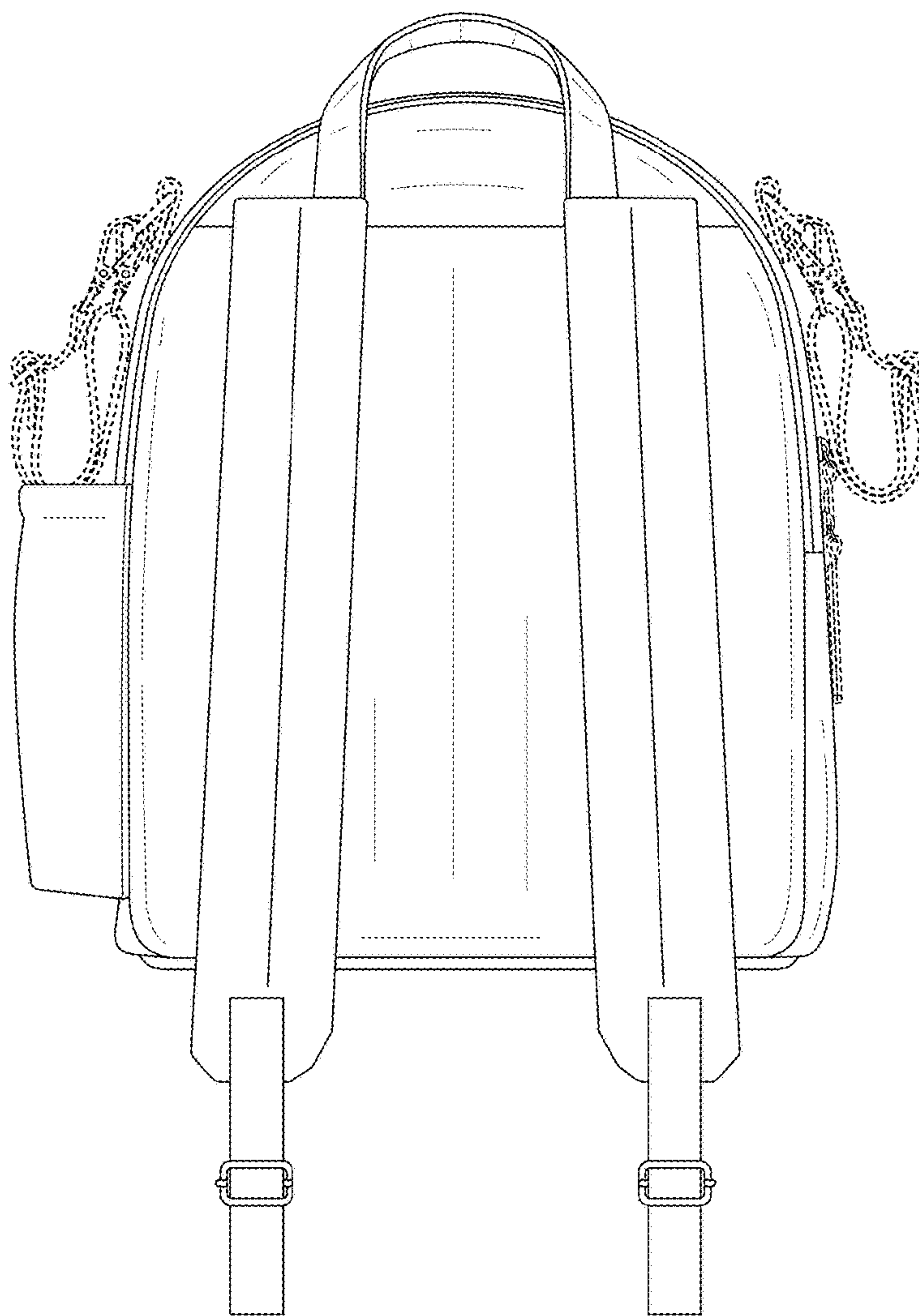


FIG. 7