



US00D841317S

(12) **United States Design Patent** (10) **Patent No.:** **US D841,317 S**
Botha et al. (45) **Date of Patent:** **** Feb. 26, 2019**

(54) **BAG**
(71) Applicant: **John Carl Botha**, Johannesburg (ZA)
(72) Inventors: **John Carl Botha**, Johannesburg (ZA);
Lynn Driver, Johannesburg (ZA)
(73) Assignee: **John Carl Botha**, Johannesburg (ZA)
(**) Term: **15 Years**

5,716,388 A 2/1998 Petelle
5,823,984 A 10/1998 Silverberg
D415,612 S * 10/1999 Mach D3/246
D425,698 S * 5/2000 Paul D3/216
(Continued)

FOREIGN PATENT DOCUMENTS

AU 2006101015 2/2007
CN 2413668 1/2001
(Continued)

OTHER PUBLICATIONS

Amazon, Cool Bag Backpack, first available on Sep. 5, 2015, [online], [site visited on Nov. 28, 2017]. Available from Internet, URL: https://www.amazon.co.uk/Pearl-Cool-Bag-Backpack/dp/B003LLGFUY/ref=sr_1_108?s=kitchen&ie=UTF8&qid=1511898040&sr=1-108&keywords=SLING+BAG (Year: 2015).*

(Continued)

Primary Examiner — Sheryl Lane
Assistant Examiner — Samantha N Wood
(74) *Attorney, Agent, or Firm* — Haugen Law Firm PLLP

(57) **CLAIM**

The ornamental design for a bag, as shown and described.

DESCRIPTION

FIG. 1 is a front perspective view of the bag;
FIG. 2 is rear perspective view of the bag;
FIG. 3 is a front elevational view of the bag;
FIG. 4 is a rear elevational view of the bag;
FIG. 5 is a left side elevational view of the bag;
FIG. 6 is a right side elevational view of the bag;
FIG. 7 is a top plan view of the bag; and,
FIG. 8 is a bottom plan view of the bag.
The portions of the bag shown in broken lines form no part of the claimed design.

1 Claim, 4 Drawing Sheets

(21) Appl. No.: **29/586,021**
(22) Filed: **Nov. 30, 2016**
(30) **Foreign Application Priority Data**

Jun. 8, 2016 (ZA) A2016/00831

(51) **LOC (11) Cl.** **03-01**
(52) **U.S. Cl.**
USPC **D3/217**

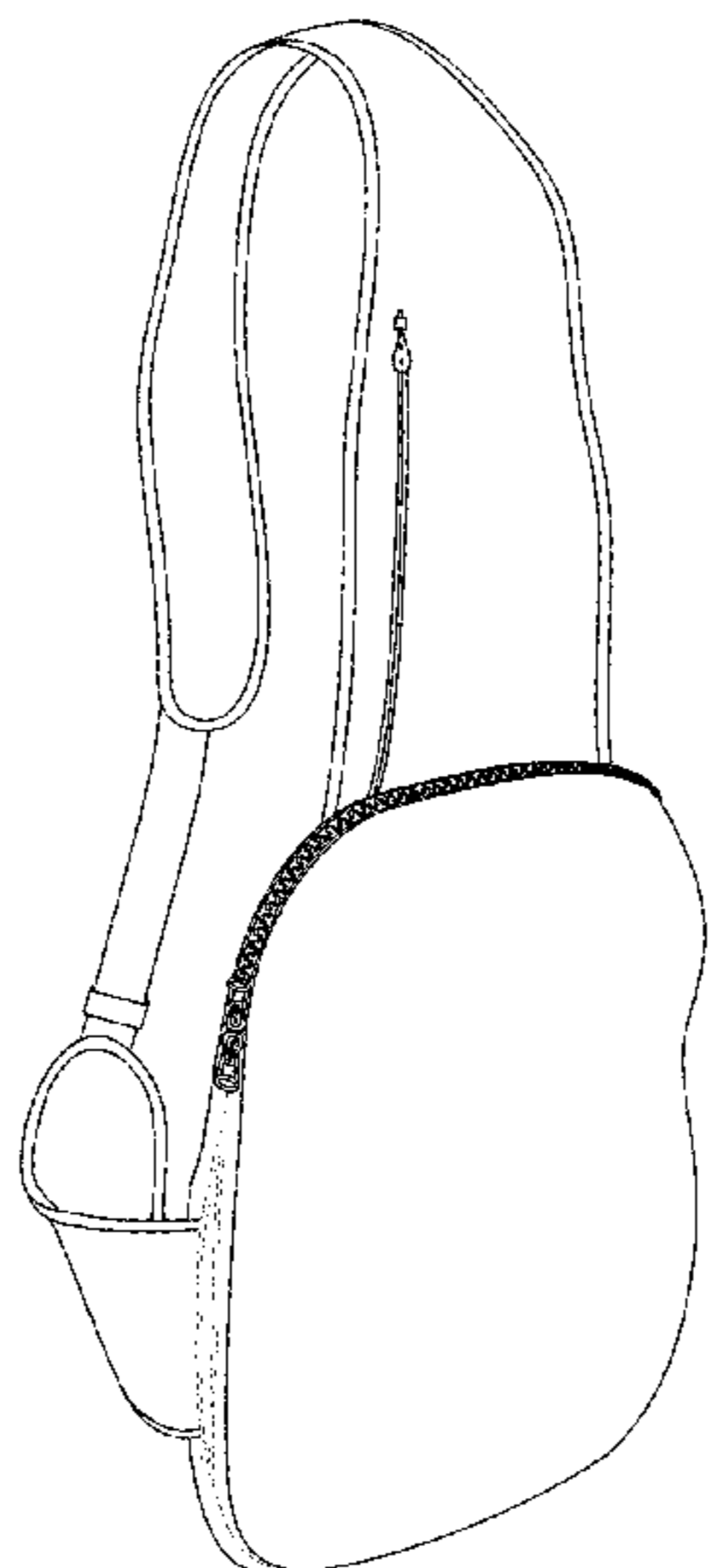
(58) **Field of Classification Search**
USPC D3/201, 205, 206, 226, 231–233,
D3/242–247, 258, 273, 290, 299, 301,
D3/303, 318, 901, 903, 217, 216, 202,
D3/214; D9/703–706, 709; D12/409
CPC A45C 1/024; A45C 7/0077; A45C 3/04;
A45C 3/06; A45C 3/08; A45C 13/02;
A45C 13/04; A45C 13/06; A45C 13/08;
A45C 13/26

See application file for complete search history.

(56) **References Cited**

U.S. PATENT DOCUMENTS

1,238,901 A 9/1917 Ferguson
1,927,751 A 9/1933 Mensi
4,545,414 A 10/1985 Baum
4,586,506 A 5/1986 Nangle
D315,825 S * 4/1991 Hutton D3/217
5,400,935 A 3/1995 Farmer
D363,599 S * 10/1995 Gaffin D3/245
5,507,794 A 4/1996 Allen



(56)

References Cited

U.S. PATENT DOCUMENTS

6,554,787	B1	4/2003	Griffin et al.	
6,585,673	B1	7/2003	Bass	
6,651,694	B1	11/2003	Krenzel et al.	
D516,813	S *	3/2006	Tortorella	D3/301
D547,054	S *	7/2007	Kavovit	D3/217
7,909,214	B2	3/2011	Gold et al.	
D642,380	S *	8/2011	Yun	D3/232
D655,082	S *	3/2012	LaCorte	D3/232
8,225,973	B1	7/2012	Bellinson	
8,302,830	B1	11/2012	Jensen	
D703,946	S *	5/2014	Tweedie	D3/216
2003/0055366	A1	3/2003	Chalek	
2004/0252919	A1	12/2004	Welch	
2005/0013905	A1	1/2005	Hughes	
2005/0161353	A1	7/2005	Devine	
2008/0260303	A1	10/2008	Bazelaire	
2009/0034883	A1	2/2009	Giuliani	
2012/0074183	A1	3/2012	Goodman	
2014/0157484	A1	6/2014	Ezell	
2014/0364925	A1	12/2014	Kilbey	

FOREIGN PATENT DOCUMENTS

CN	202086643	12/2011
CN	202235873	5/2012
CN	201430402337	* 10/2014
DE	202004006368	7/2004
GB	2395664	6/2004
GB	2433191	6/2007
GB	2458021	9/2009
GB	2469801	11/2010
JP	D2004-24371	* 8/2004

OTHER PUBLICATIONS

B & H, Ruggard 13" Notebook Sling Bag, review on May 5, 2014, [online], [site visited on Nov. 28, 2017]. Available from Internet,

URL: https://www.bhphotovideo.com/c/product/998048-REG/ruggard_sb_13b_13_notebook_sling_bag.html (Year: 2014).*

Amazon, Light Weight Sling Backpack, review on Aug. 23, 2011, [online], [site visited on Dec. 5, 2017]. Available from Internet, URL: <https://www.amazon.com/Weight-Backpack-Sports-Bags-Less/dp/B0055OUQ00> (Year: 2011).*

Aliexpress, "Fashion Hot Water Bottle Holder Drinks Running Jogging Cycling Waist Packs Belt Bag Free Shipping 1 pcs/lot 058", <http://www.aliexpress.com/item/Fashion-Hot-Water-Bottle-Holder-Drinks-Running-Jogging-Cycling-Waist-Packs-Belt-Bag-Free-Shipping-1pcs/2041889> . . . , last accessed Mar. 13, 2015.

Splash Magazine, "Valentine's Day Travel Accessory Gifts—Valentine's Day Travel Accessories Gift Guide 2011", http://www.lasplash.com/publisrJTravel_and_Leisure_Gift_GuidesIValentine_s_DayTravel_Accessory_Gifts_Valentine_s_Day_Travel_Accessories_G...2fl/41, last accessed Mar. 13, 2015.

Shoebuy, "BVT Products The Go Caddy Water Bottle Holder", <http://www.shoebuy.com/bvt-products-the-go-caddy-water-bottle-holder/196042>, last accessed Mar. 13, 2015.

Amazon. "NEOSLING. Adjustable Neoprene Bottle Holder, Racecar Red: Pet Water Bottles: Pet Supplies", <http://www.amazon.com/NEOSLING-Adjustable-Neoprene-Bottle-Racecar/dp/8004VAABZ4> last accessed Mar. 13, 2015.

Pinterest. "NEOSLING Adjustable neoprene bottle carrier in Green. Holds reusable and disposable beverage bottles. Also great for the H204K9 Dog Water Bott.", <https://www.pinterest.com/pin/20407623057905881>, last accessed Mar. 13, 2015.

eBay, "Insulated Water Bottle Holder", <http://www.ebay.com/bhp/insulated-water-bottle-holder> last accessed Mar. 13, 2015.

OneInHundred, "Blank 22 oz 420 denier nylon water bottle holder with adjustable belt", [http://www.oneinhundred.com/NVhole'—<iale-China/water-bottle-holder/8!ank-22-oz-42Q..denier-nylon-water-bottle..holder-witl"radjustable-belt-17374.htm](http://www.oneinhundred.com/NVhole'—<iale-China/water-bottle-holder/8!ank-22-oz-42Q..denier-nylon-water-bottle..holder-witl) last accessed Mar. 13, 2015.

E-CanvasBags, "Fanny Pack Bag, Fanny Pack Water Bottle Holder" http://www.ecanvasbags.com/fanny-pack-bag-fanny-pack-water-bottle-holder_77_4_html last accessed Mar. 13, 2015.

* cited by examiner

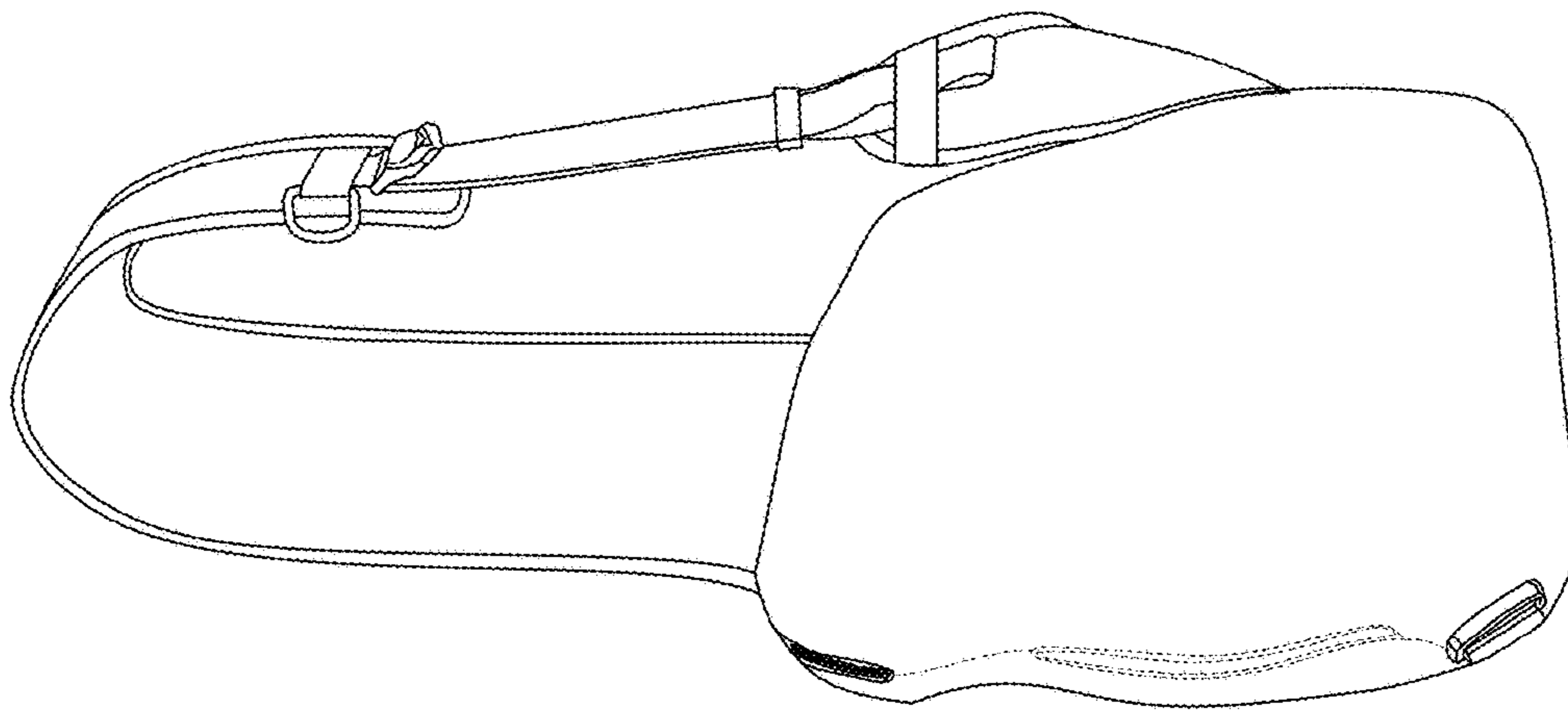


FIG. 2

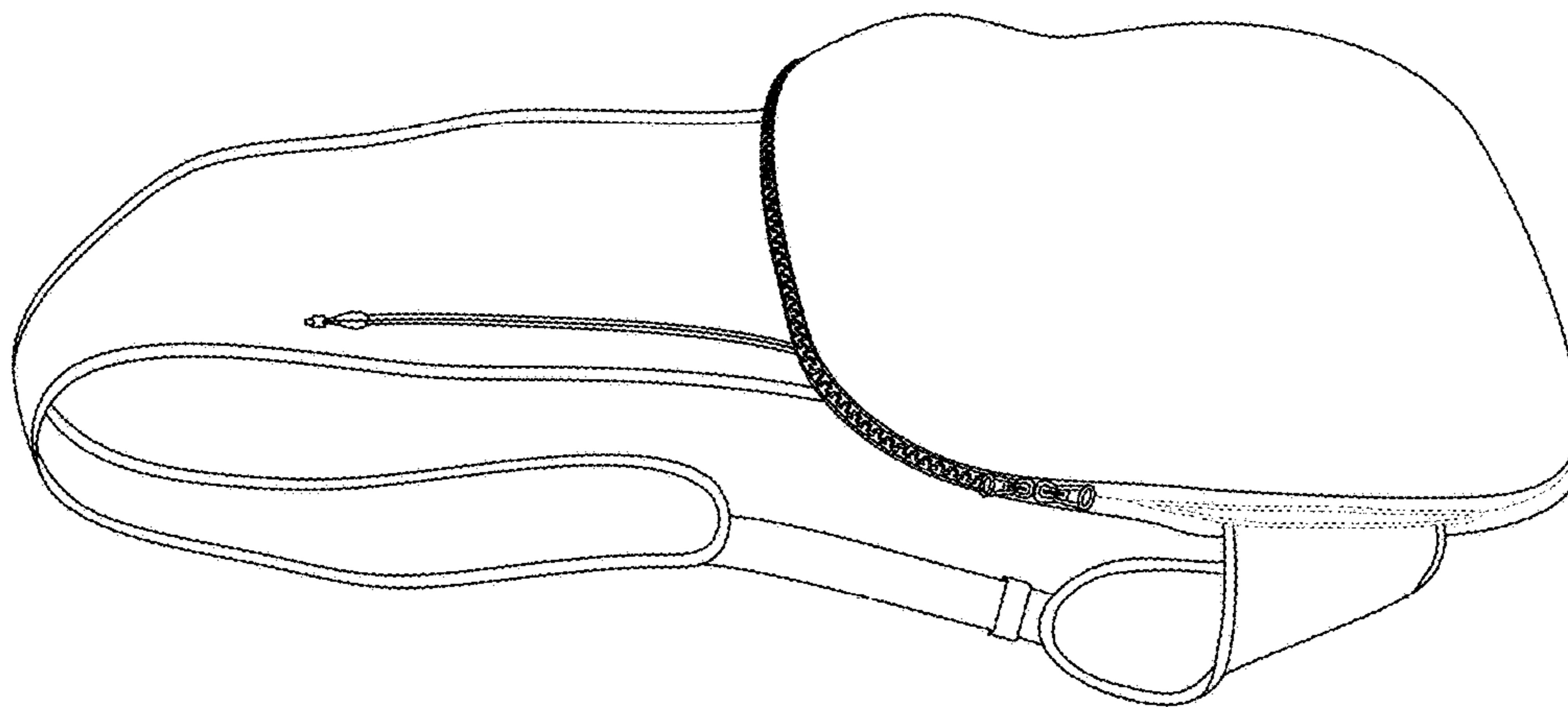


FIG. 1

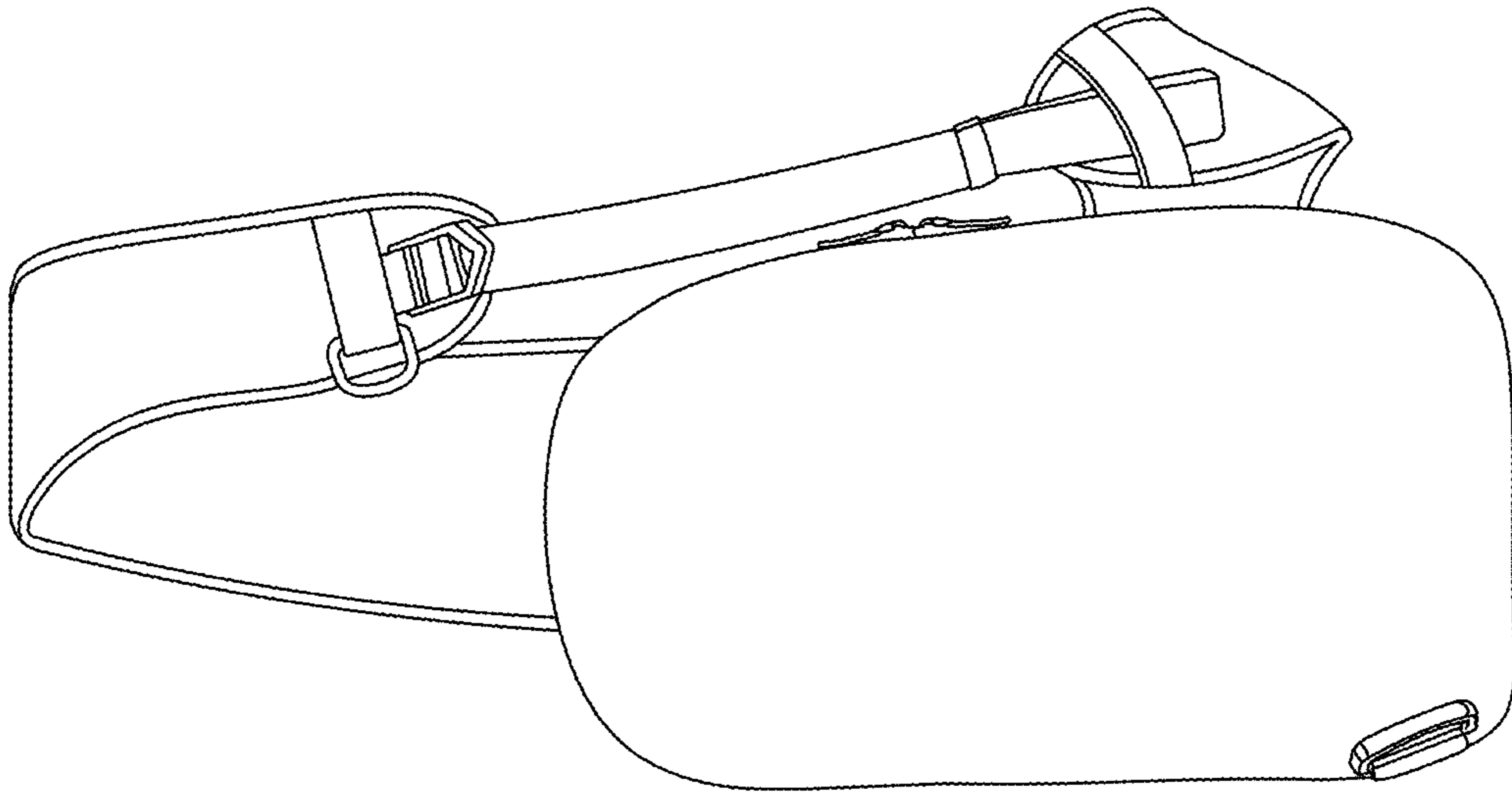


FIG. 4

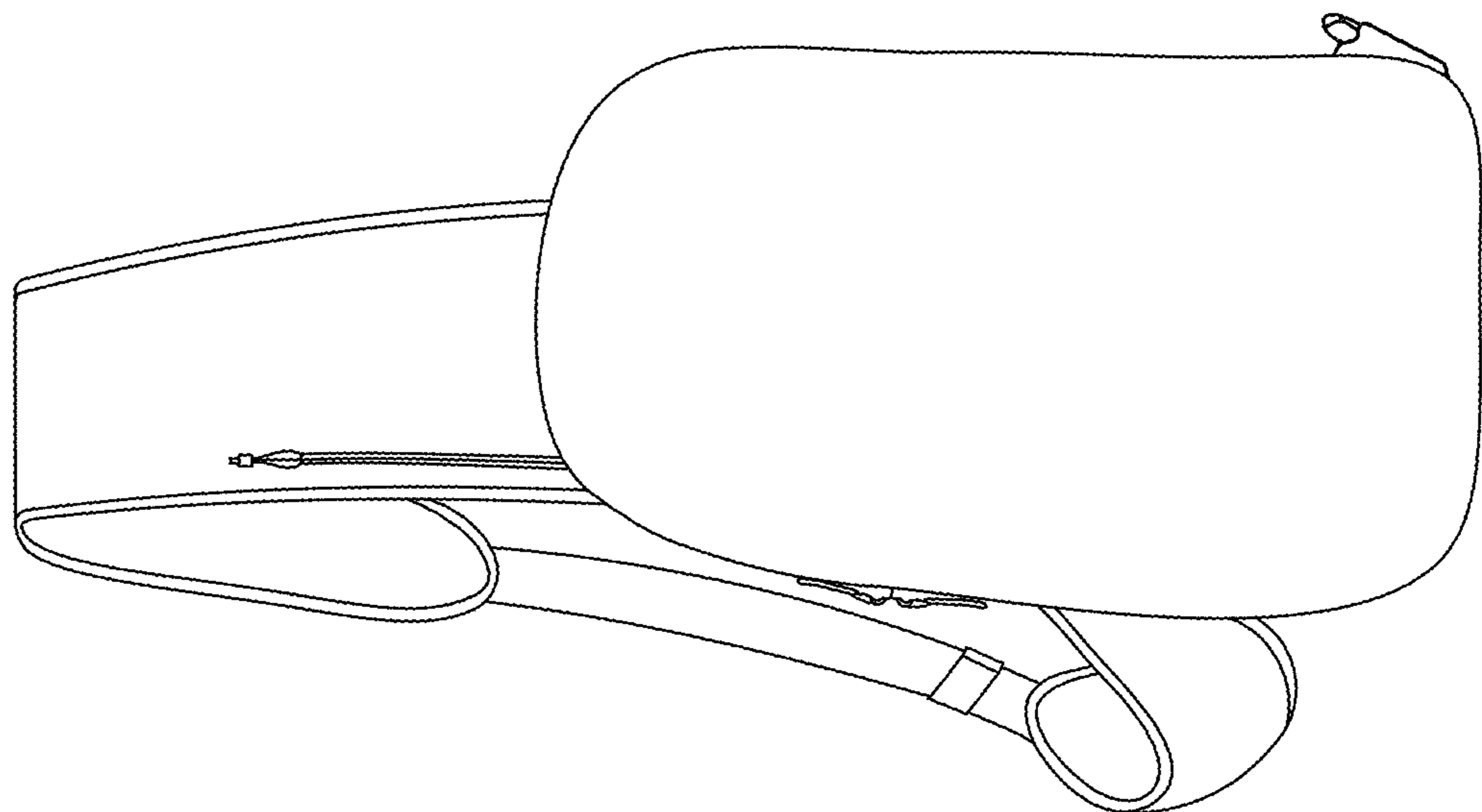


FIG. 3

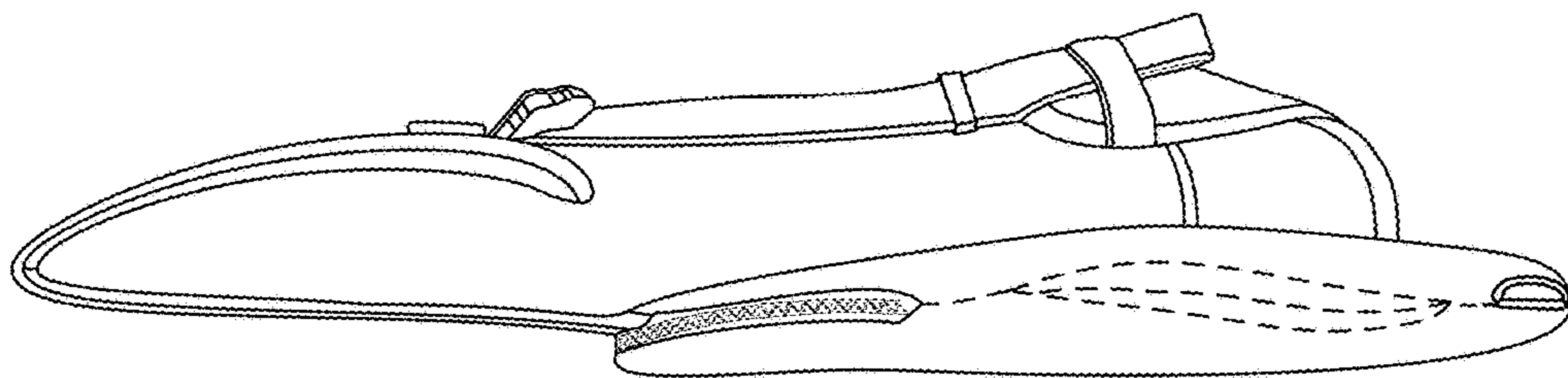


FIG. 6

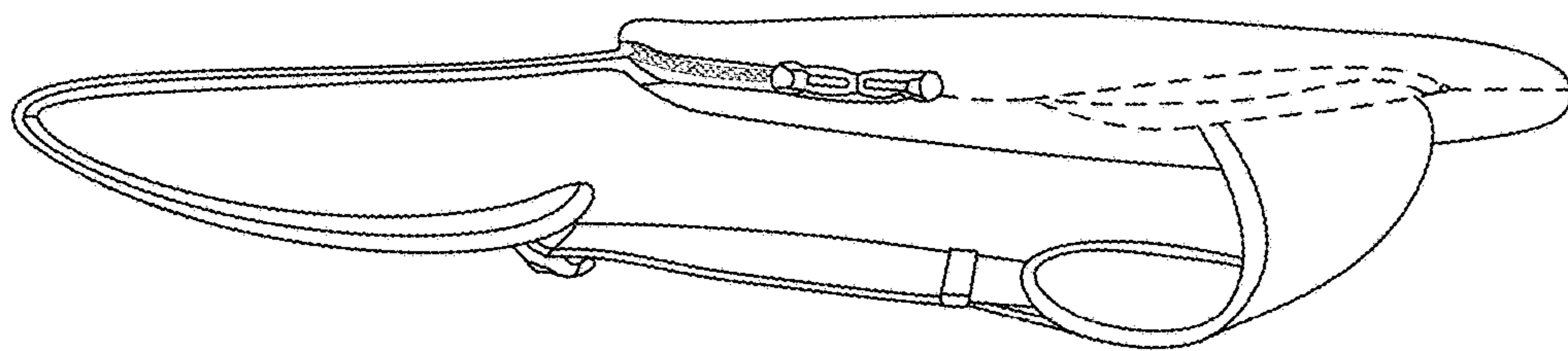


FIG. 5

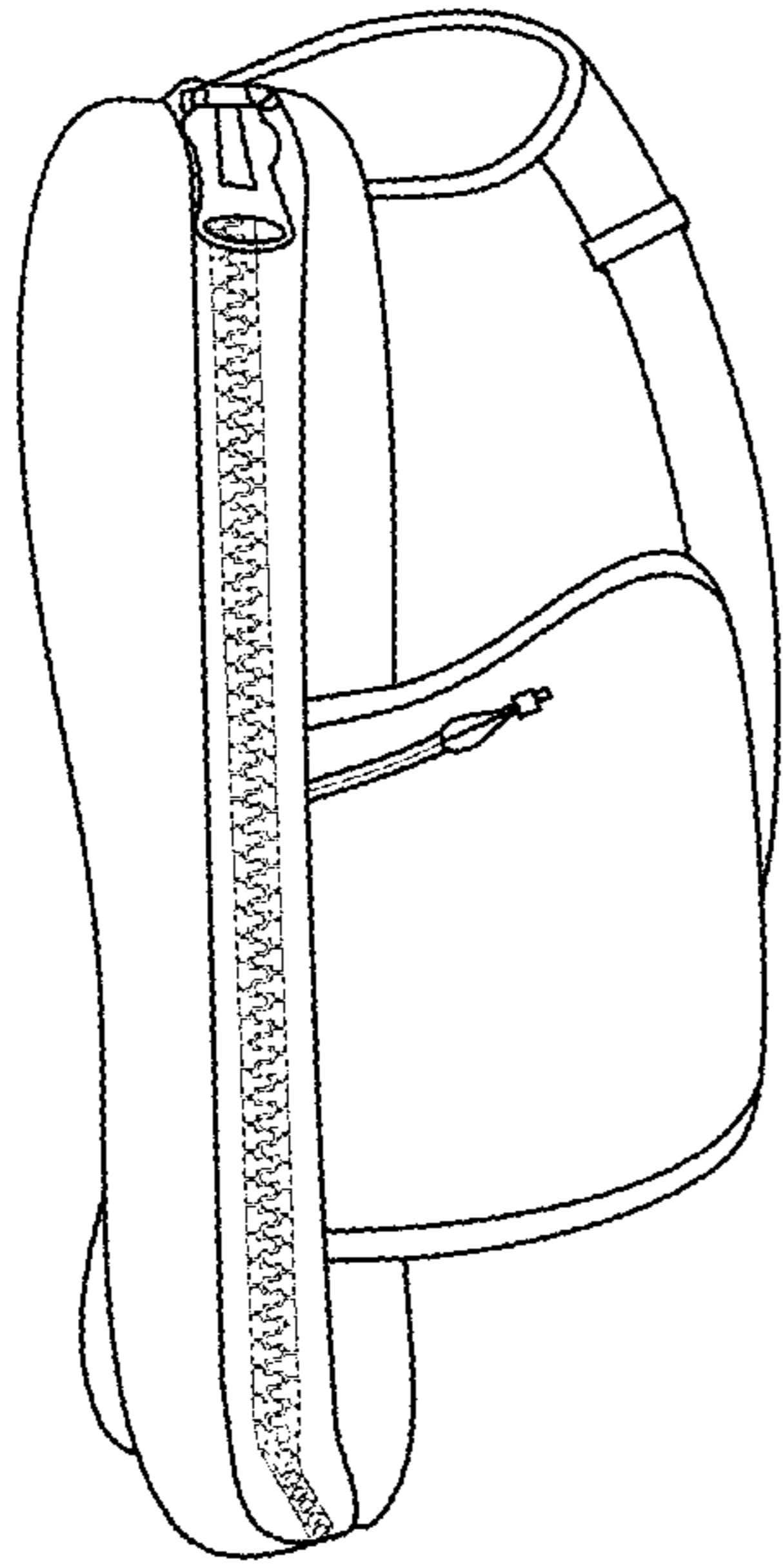


FIG. 7

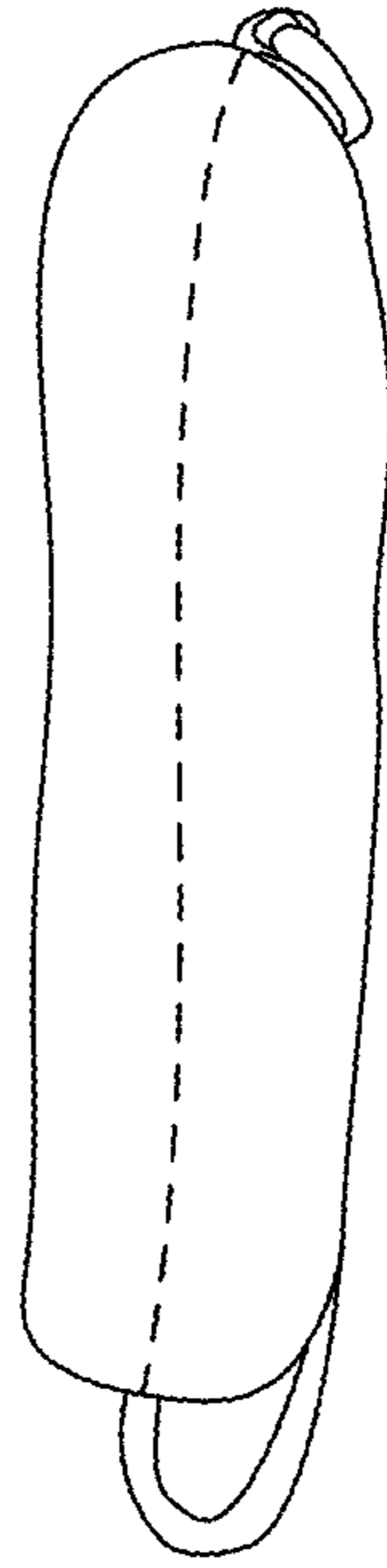


FIG. 8