



US00D841314S

(12) **United States Design Patent** (10) **Patent No.:** **US D841,314 S**
Petry (45) **Date of Patent:** **** Feb. 26, 2019**

(54) **KEY ORGANIZER**

(71) Applicant: **Friedrich Petry**, Reutlingen (DE)

(72) Inventor: **Friedrich Petry**, Reutlingen (DE)

(**) Term: **15 Years**

(21) Appl. No.: **29/630,299**

(22) Filed: **Dec. 20, 2017**

(51) **LOC (11) Cl.** **03-01**

(52) **U.S. Cl.**
 USPC **D3/212**

(58) **Field of Classification Search**
 USPC D3/212, 207, 208, 210; D8/99, 100, 105,
 D8/107; D22/118
 CPC B26B 1/02; B26B 1/04; B26B 1/08; B26B
 11/00; B26B 11/001; B26B 11/005; H04B
 1/034; F04B 15/00; A44B 15/00; A45C
 11/323; Y10T 70/8676; Y10T 79/8784
 See application file for complete search history.

3,608,343 A * 9/1971 Kimel A45C 11/323
 70/456 B

D338,558 S * 8/1993 Cheng D3/212

D380,559 S * 7/1997 Sweeney D25/68

D414,329 S * 9/1999 Parker D3/212

D543,019 S * 5/2007 Koning D3/212

D578,750 S * 10/2008 Holzner D3/212

D815,458 S * 4/2018 Mann D6/545

* cited by examiner

Primary Examiner — David G Muller
Assistant Examiner — Nathan M Johnston
 (74) *Attorney, Agent, or Firm* — Muncy, Geissler, Olds &
 Lowe, P.C.

(57) **CLAIM**

The ornamental design for a key organizer, as shown and described.

DESCRIPTION

FIG. 1 is a front perspective view of a key organizer according to the present invention.
 FIG. 2 is a front elevation view thereof.
 FIG. 3 is a rear elevation view thereof.
 FIG. 4 is a left side elevation view thereof.
 FIG. 5 is a right side elevation view thereof.
 FIG. 6 is a top plan view thereof.
 FIG. 7 is a bottom plan view thereof.
 FIG. 8 is a front perspective view thereof in a folded or closed position; and,
 FIG. 9 is a front perspective view of FIG. 1 in a partial unassembled state.
 The dashed lines illustrate environment that does not form a part of the present invention, and no claim is made to the material illustrated with dashed lines.

1 Claim, 7 Drawing Sheets

(56) **References Cited**

U.S. PATENT DOCUMENTS

1,110,760 A * 9/1914 Easton A45C 11/323
 206/37.1

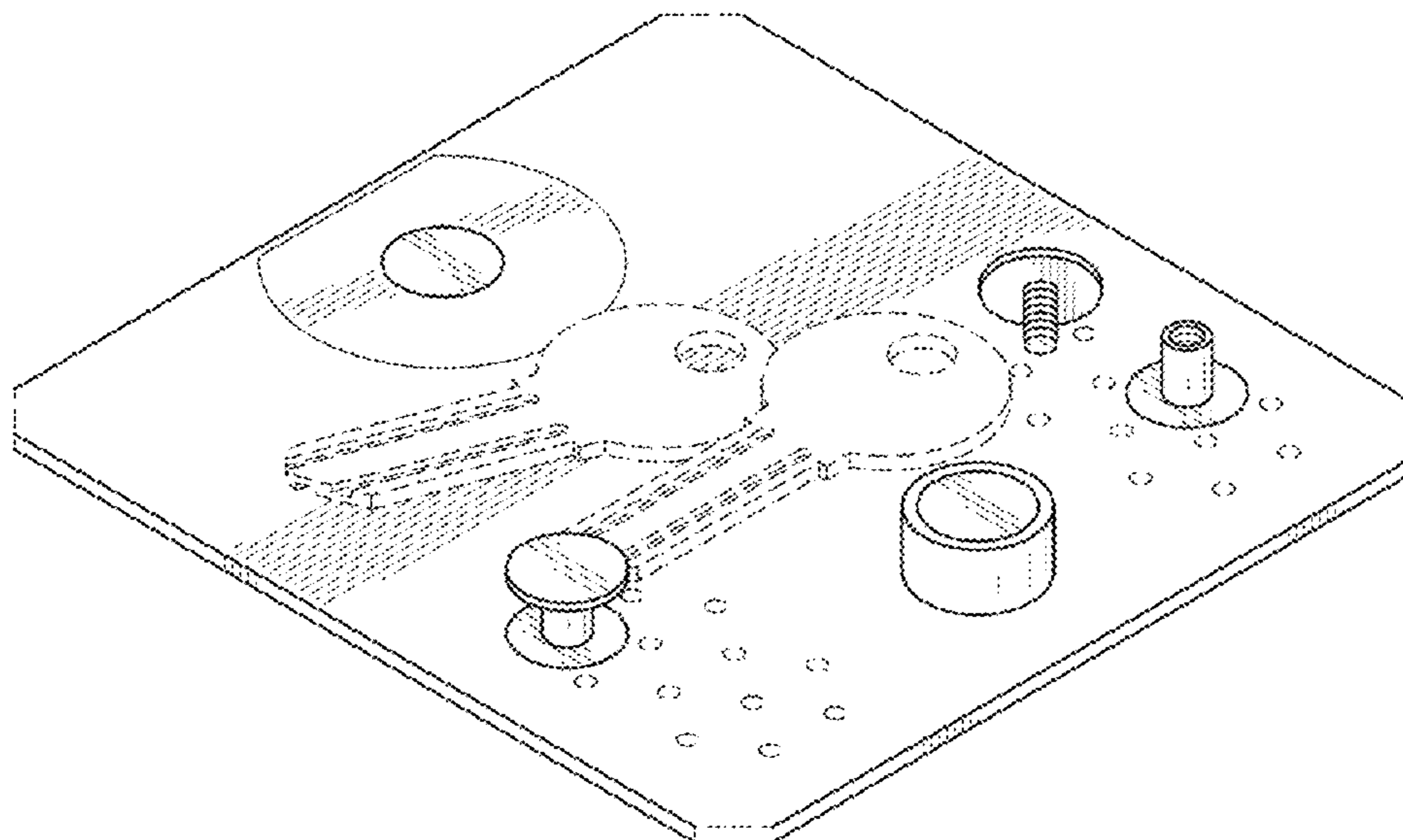
2,287,521 A * 6/1942 Handley A45C 11/324
 206/37.2

2,448,332 A * 8/1948 St Thomas A45C 11/323
 70/456 B

3,362,200 A * 1/1968 Lanier A45C 11/324
 206/37.1

3,379,041 A * 4/1968 Hanna A45C 11/323
 206/37.7

D220,557 S * 4/1971 Balzano 206/37.1



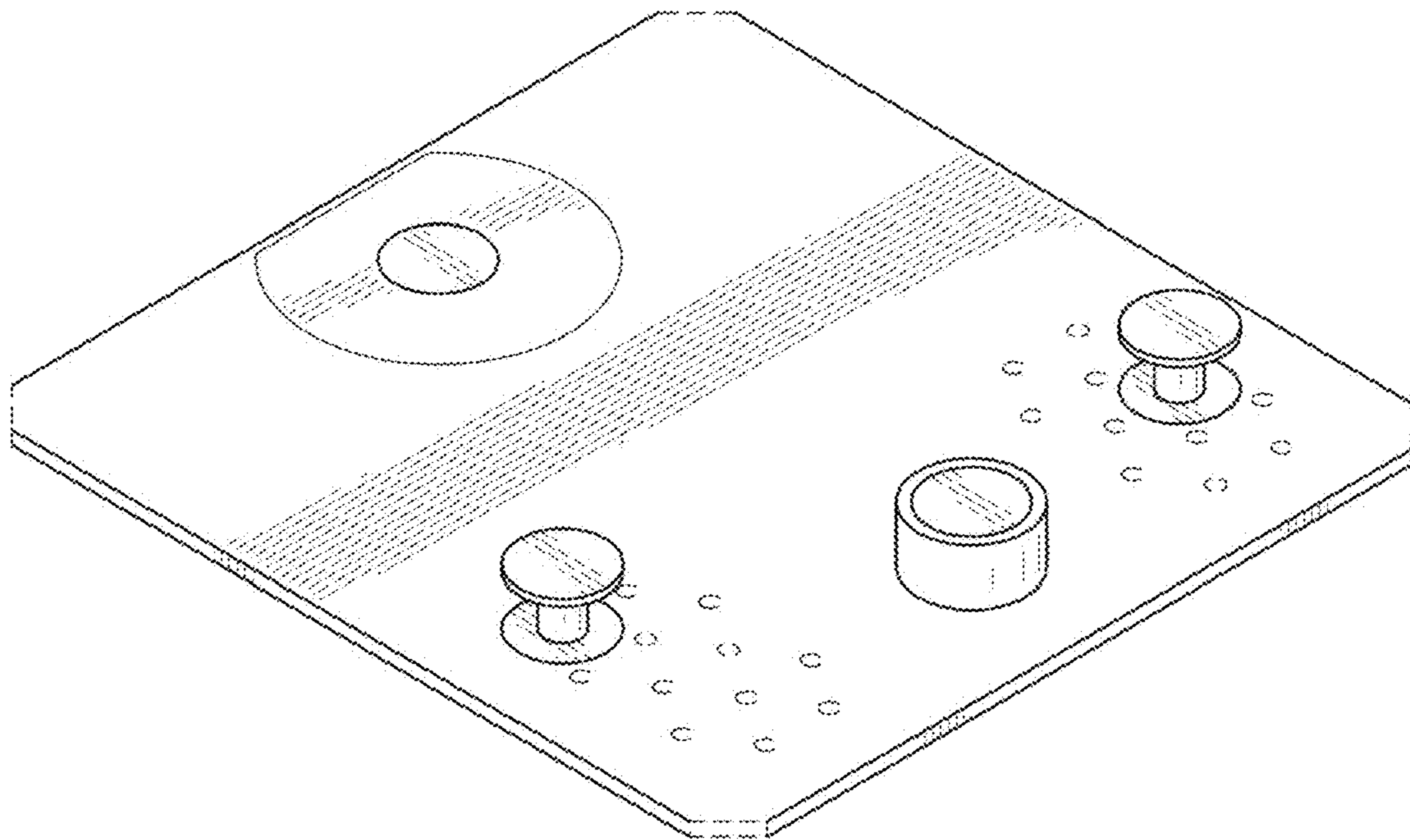


FIG. 1



FIG. 2



FIG. 3

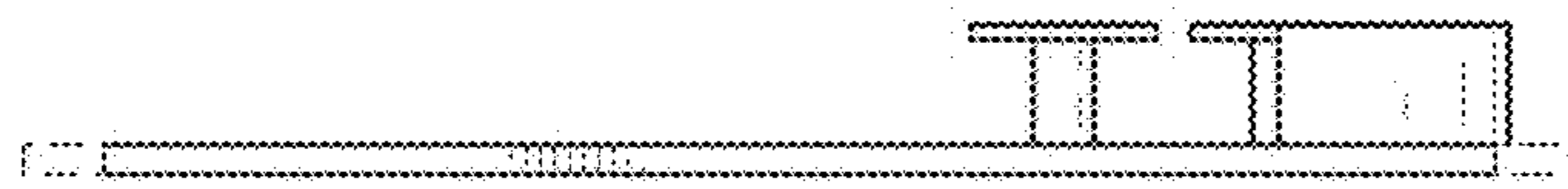


FIG.4



FIG.5

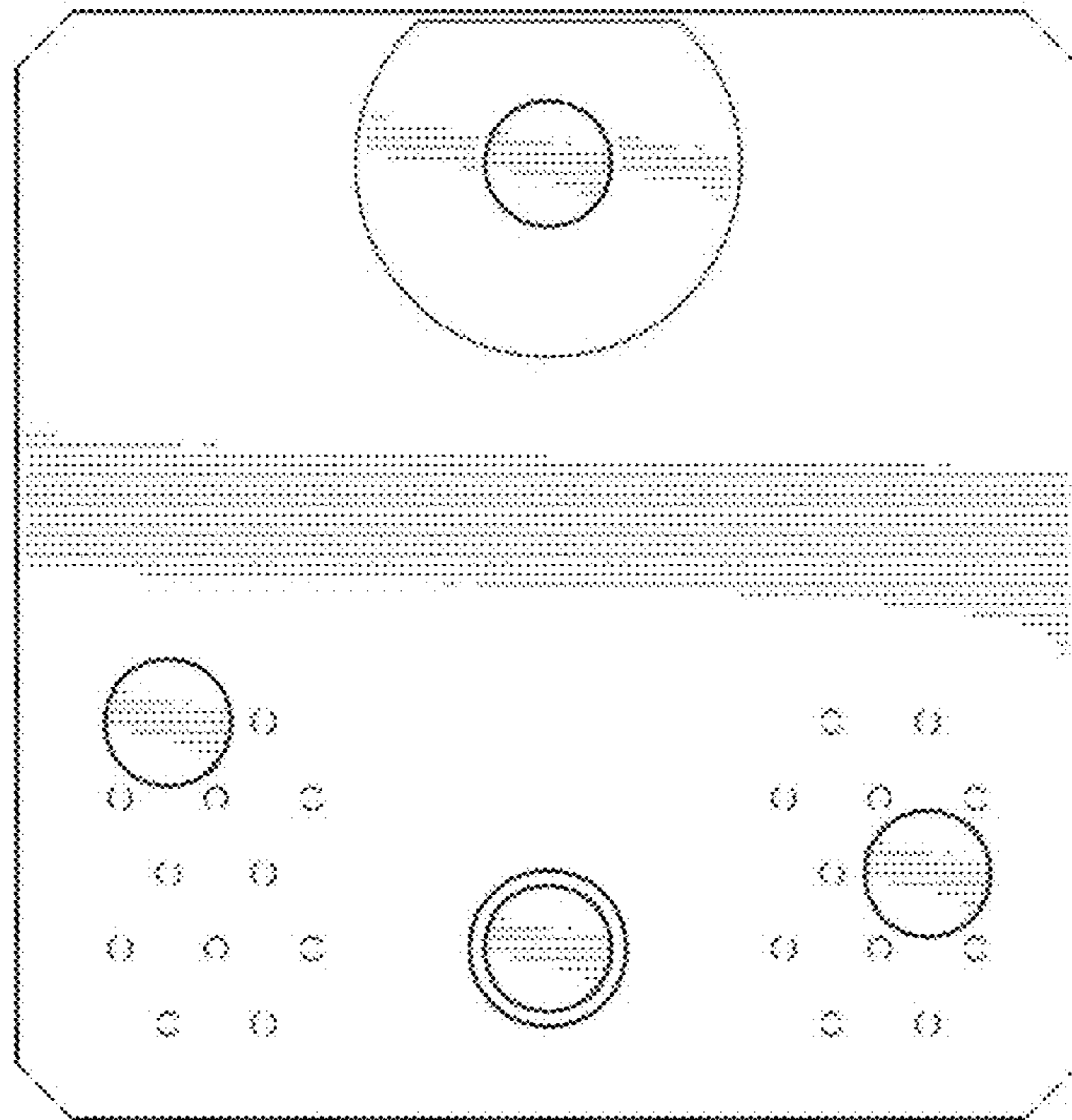


FIG.6

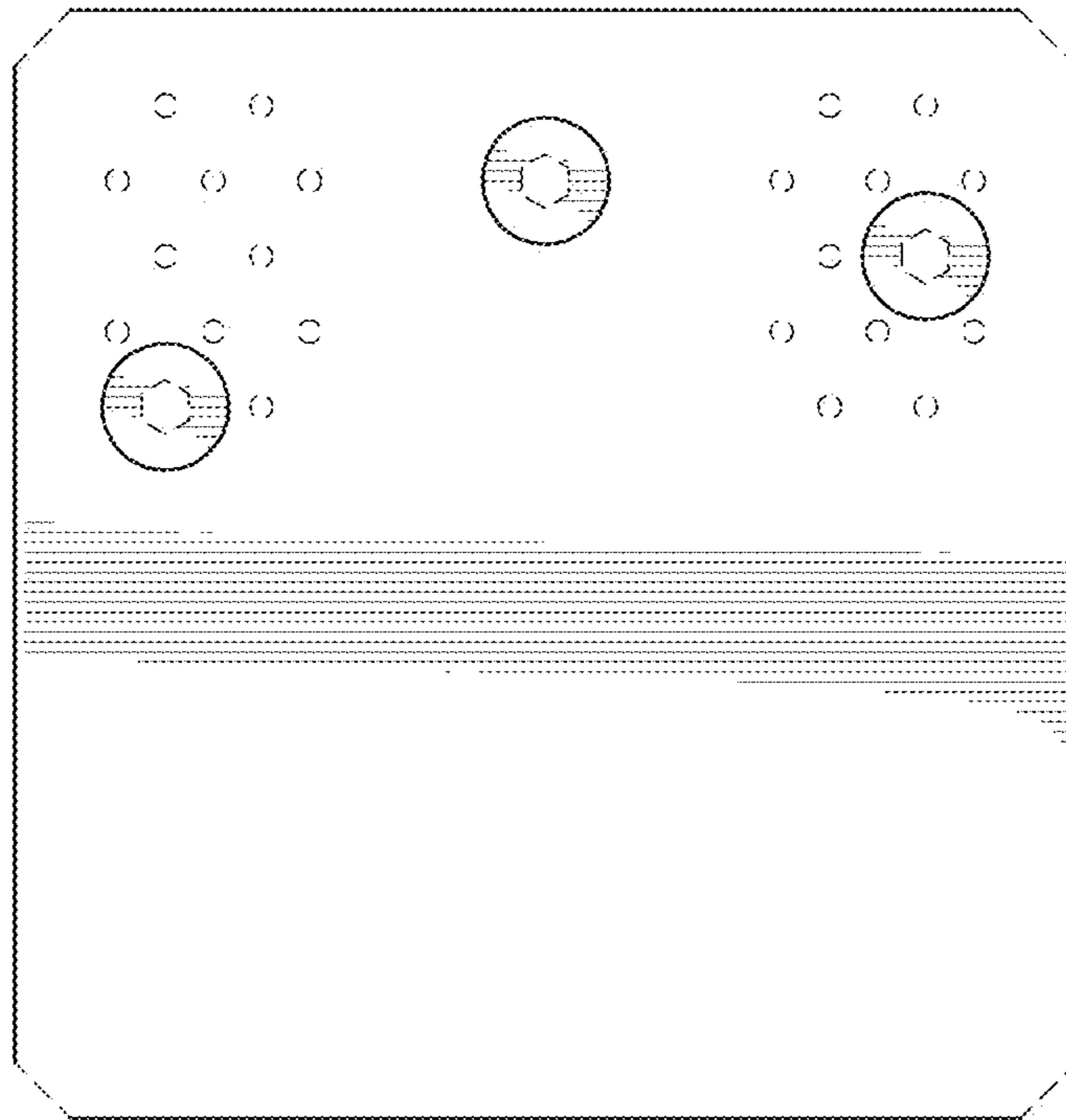


FIG. 7

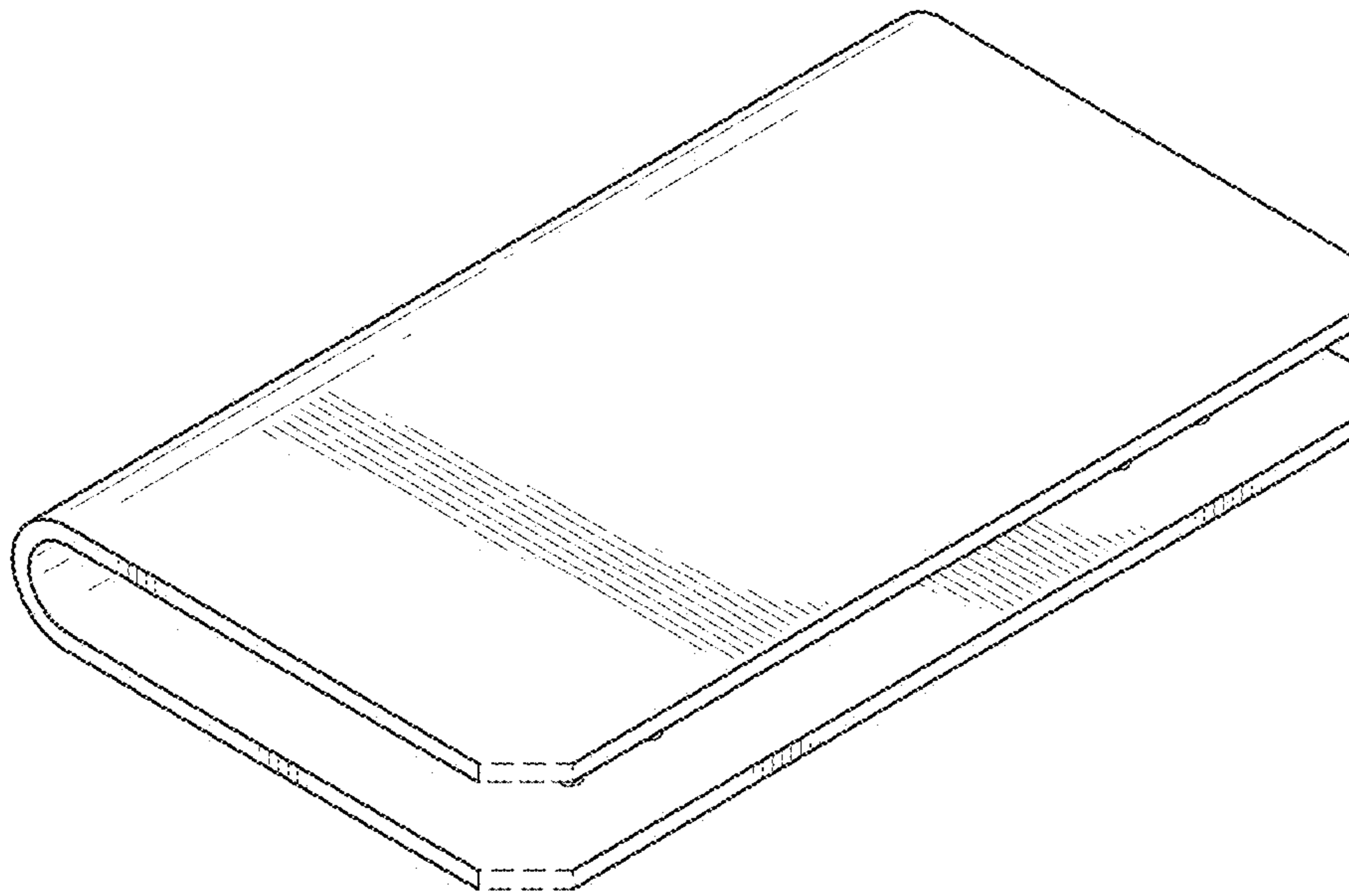


FIG.8

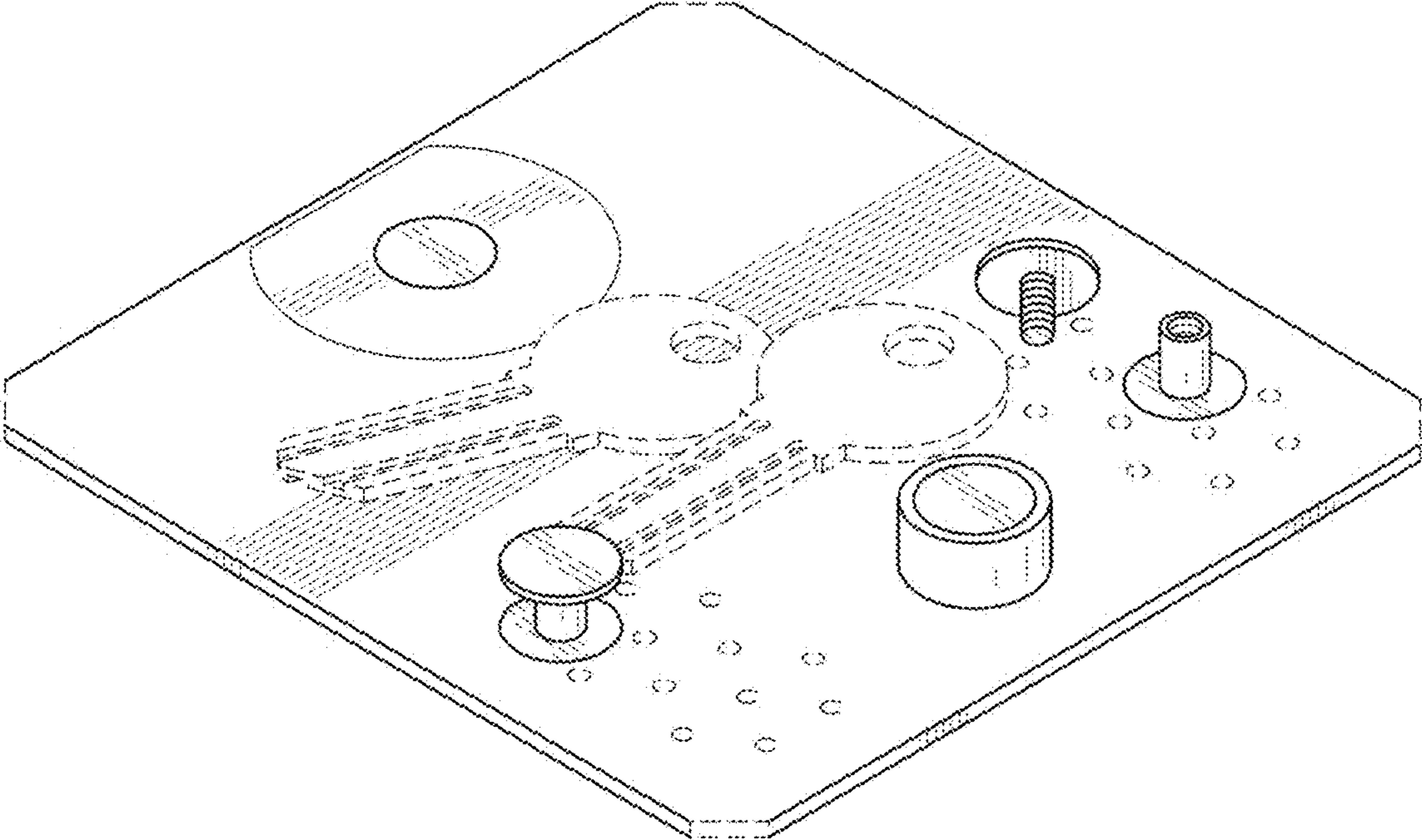


FIG.9