



US00D841312S

(12) **United States Design Patent** (10) **Patent No.:** **US D841,312 S**
Lin (45) **Date of Patent:** **** Feb. 26, 2019**

(54) **PENCIL BAG**

(71) Applicant: **Shuzhen Lin**, Guangdong (CN)

(72) Inventor: **Shuzhen Lin**, Guangdong (CN)

(**) Term: **15 Years**

(21) Appl. No.: **29/605,625**

(22) Filed: **May 26, 2017**

(51) **LOC (11) Cl.** **03-02**

(52) **U.S. Cl.**
USPC **D3/206**

(58) **Field of Classification Search**
USPC D3/205, 206, 315–317
CPC A45C 11/00
See application file for complete search history.

(56) **References Cited**

U.S. PATENT DOCUMENTS

2,000,302	A *	5/1935	Morris	A45C 11/008
					132/312
2,143,062	A *	1/1939	Ericson	A45C 11/008
					190/109
2,556,066	A *	6/1951	Cline	A45C 11/008
					190/111
2,778,397	A *	1/1957	Carrasco	B42D 5/005
					190/119
D396,750	S *	8/1998	Slater	D3/284
6,183,133	B1 *	2/2001	Roegner	A45C 3/00
					150/113

D449,158	S *	10/2001	Banks	D3/205
D455,005	S *	4/2002	Wolf	D3/205
D461,046	S *	8/2002	Cohen	D3/205
D632,079	S *	2/2011	Spencer	D3/301
D723,804	S *	3/2015	Coleman	D3/301
D790,211	S *	6/2017	Constantini	D3/205
D811,723	S *	3/2018	Chen	D3/206

* cited by examiner

Primary Examiner — Charles D Hanson

(74) *Attorney, Agent, or Firm* — ScienBiziP, P.C.

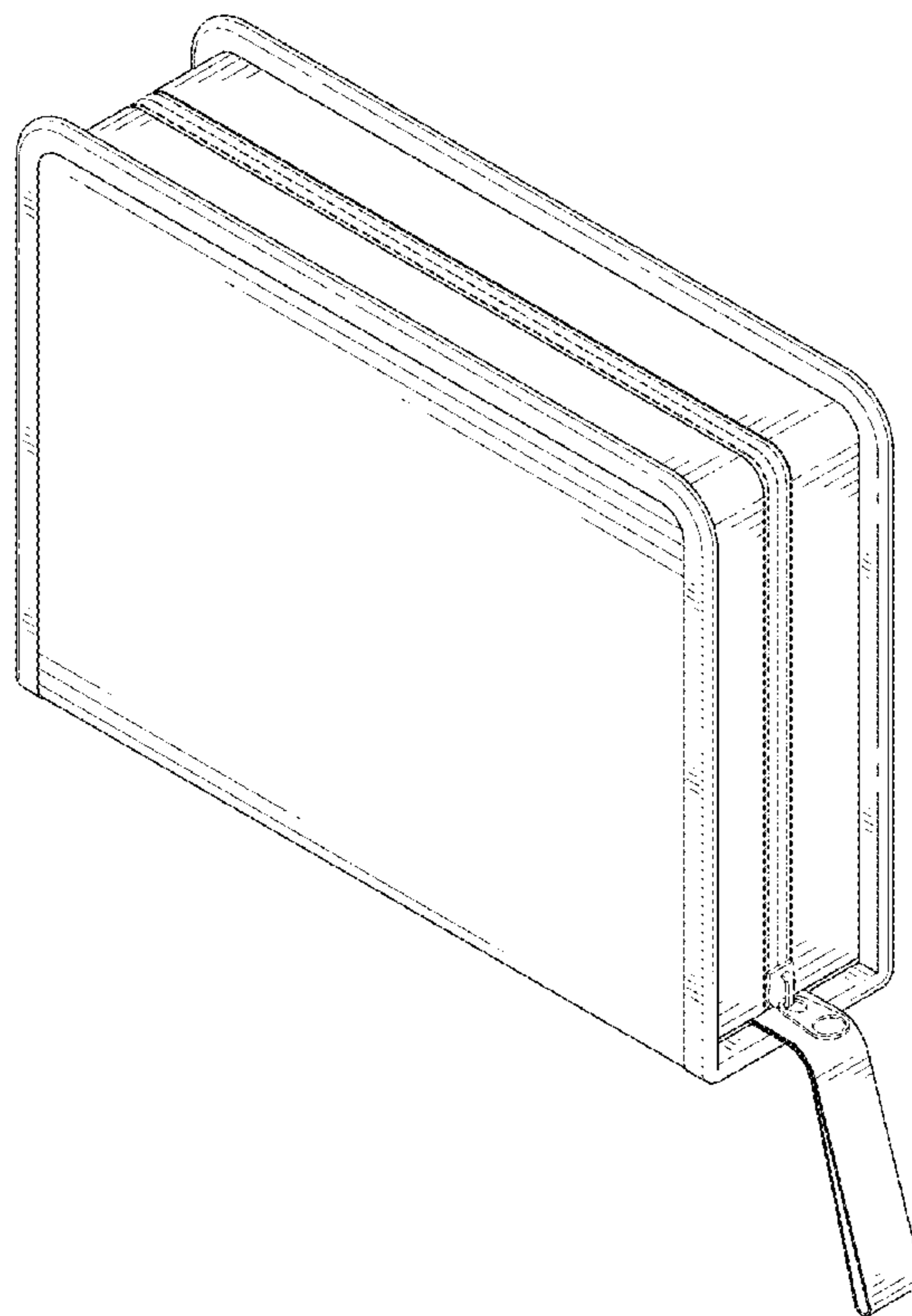
(57) **CLAIM**

The ornamental design for a pencil bag, as shown and described.

DESCRIPTION

FIG. 1 is a first perspective view of a pencil bag showing my new design;
 FIG. 2 is a second perspective view thereof;
 FIG. 3 is a front elevational view thereof;
 FIG. 4 is a rear elevational view thereof;
 FIG. 5 is a left side view thereof;
 FIG. 6 is a right side view thereof;
 FIG. 7 is a top plan view thereof;
 FIG. 8 is a bottom plan view thereof;
 FIG. 9 is a first perspective view showing the pencil bag in a use state; and,
 FIG. 10 is a second perspective view showing the pencil bag in a use state.
 The broken lines in the drawings illustrate portions of the pencil bag which form no part of the claimed design.

1 Claim, 10 Drawing Sheets



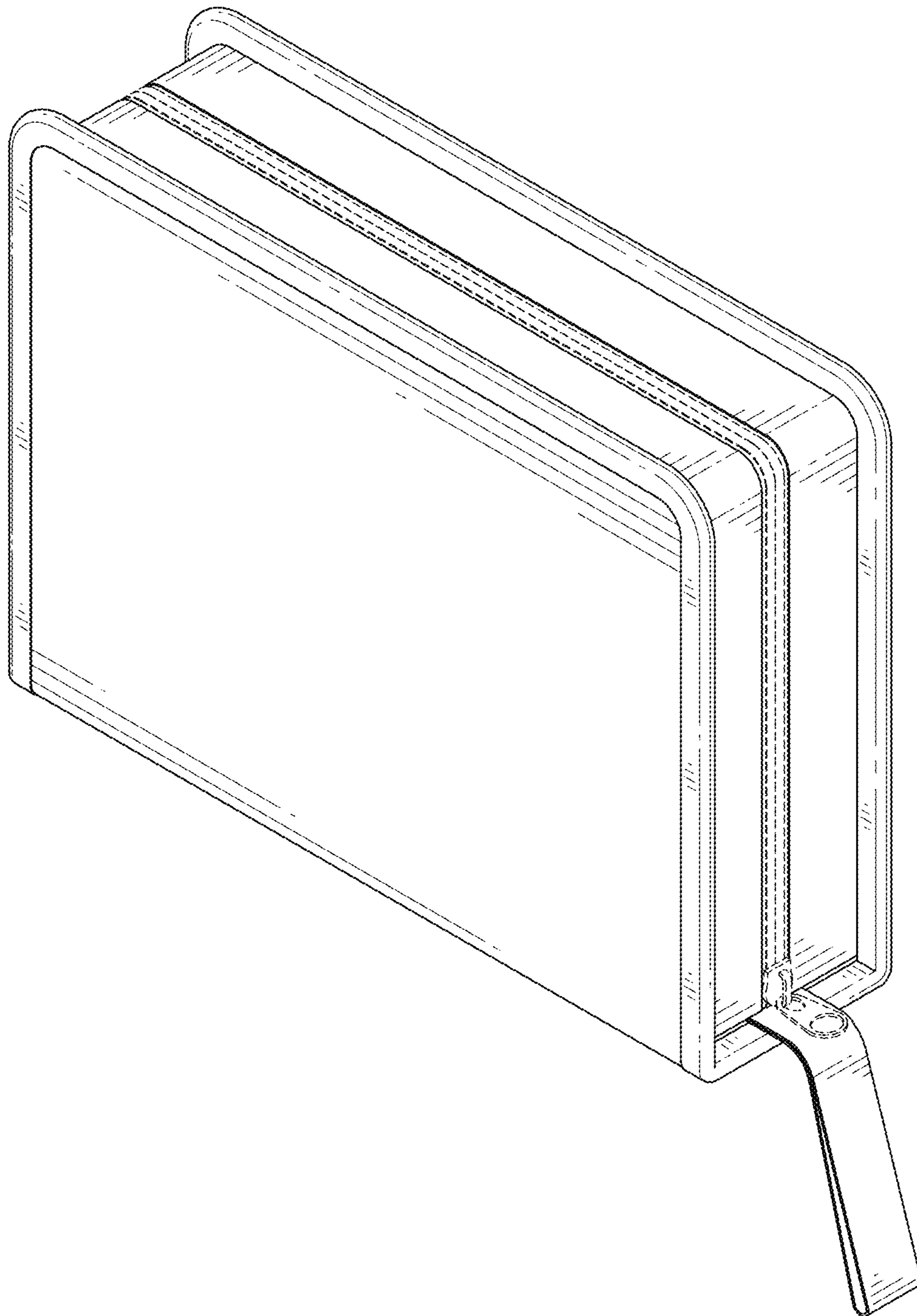


FIG. 1

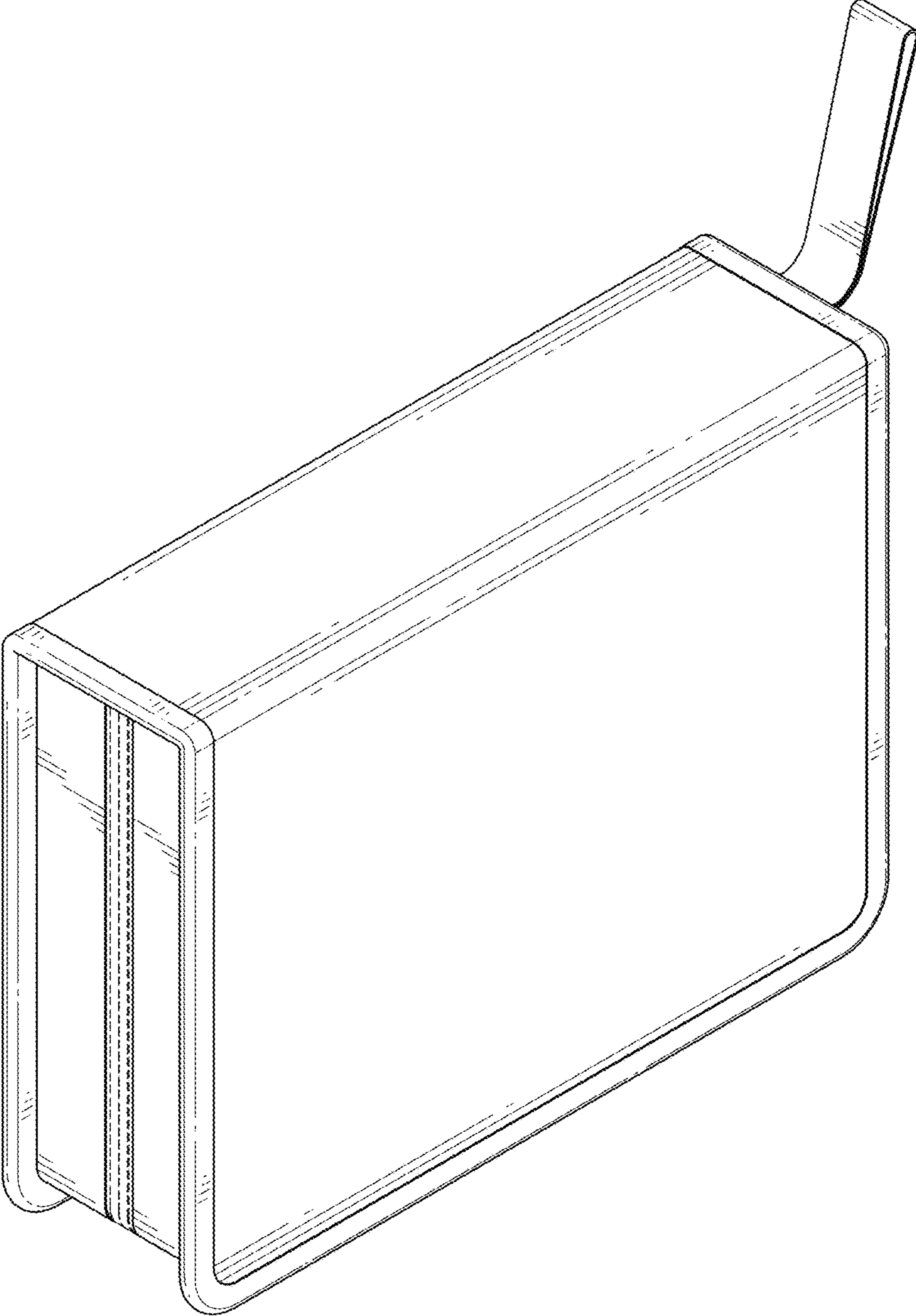


FIG. 2

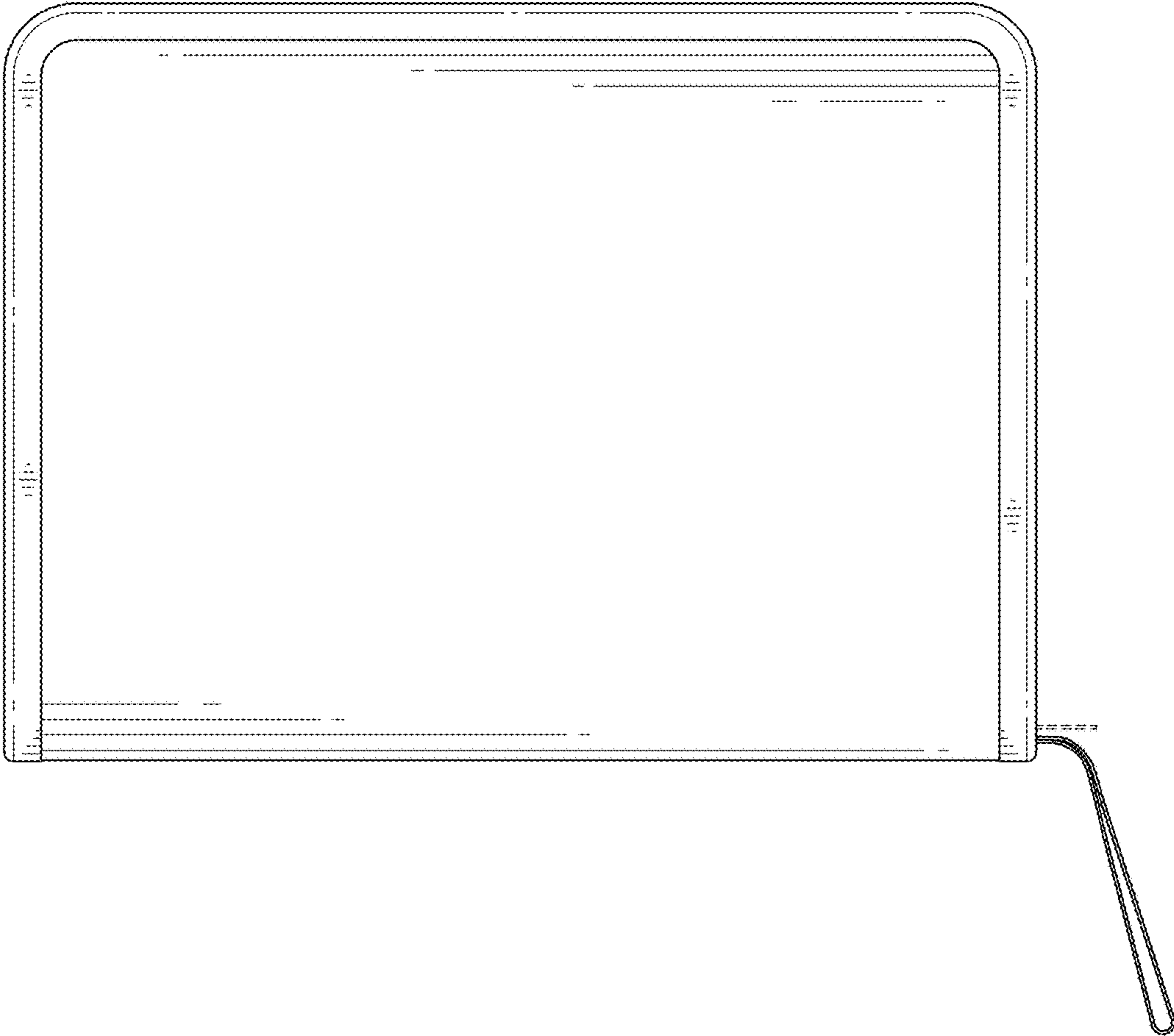


FIG. 3

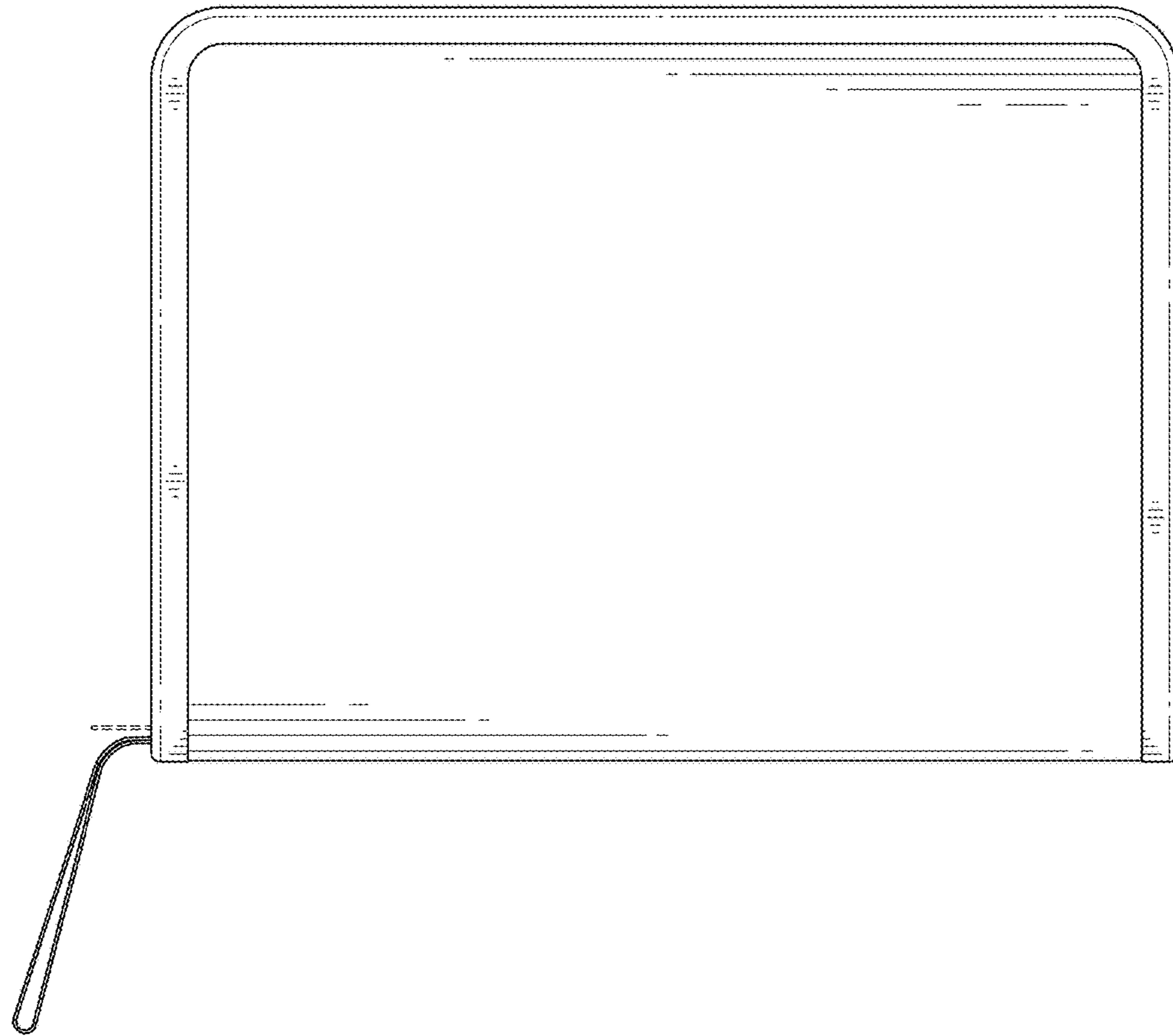


FIG. 4

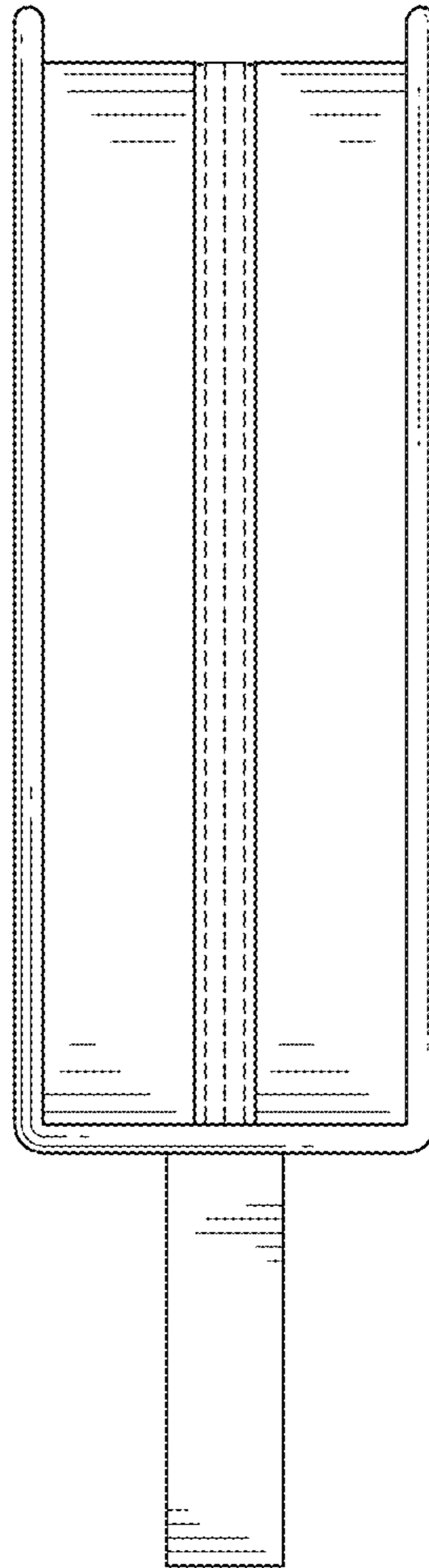


FIG. 5

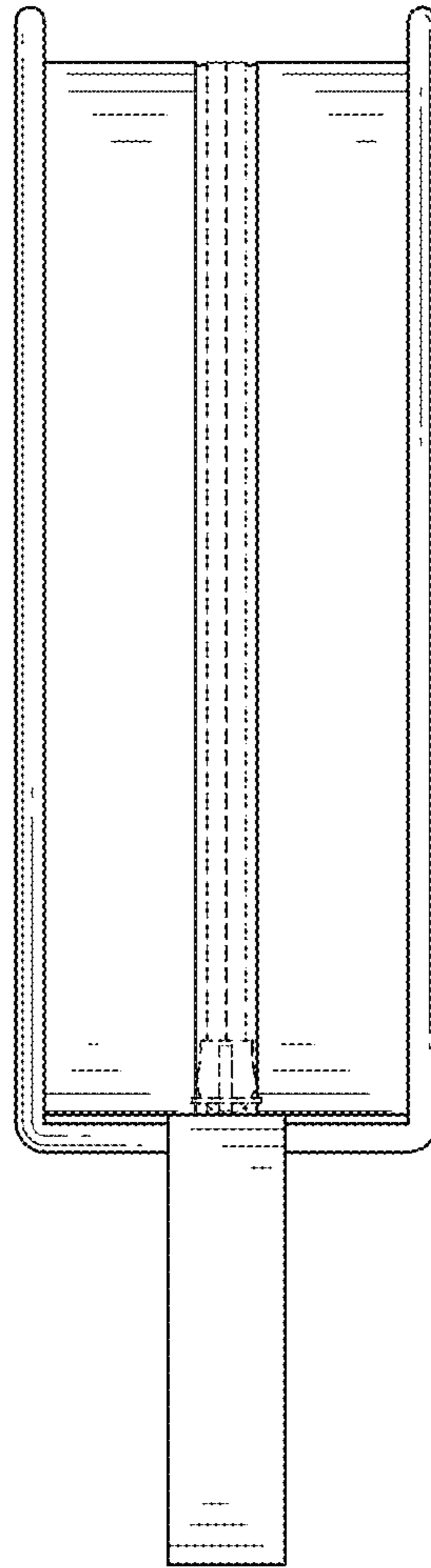


FIG. 6

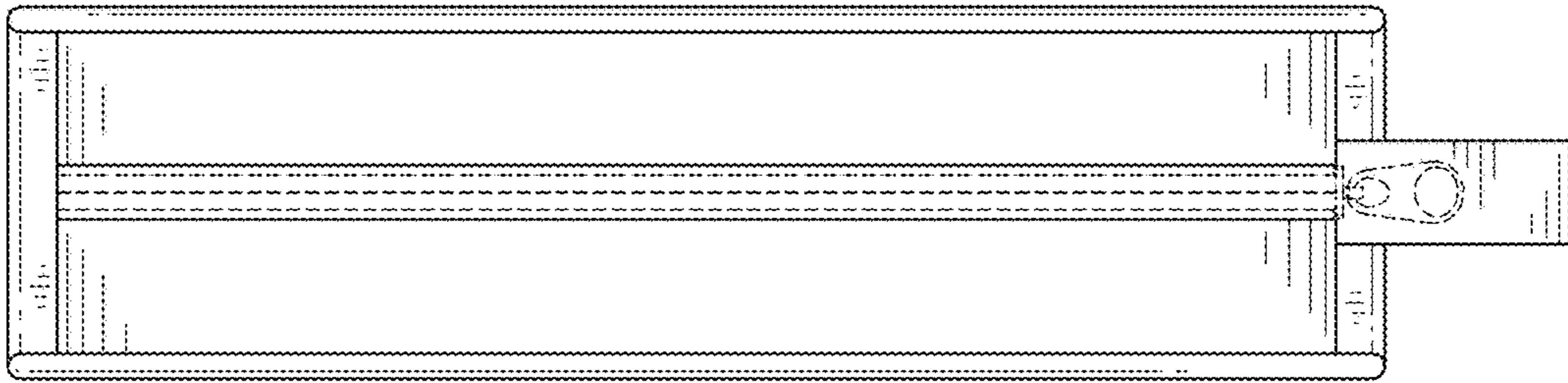


FIG. 7

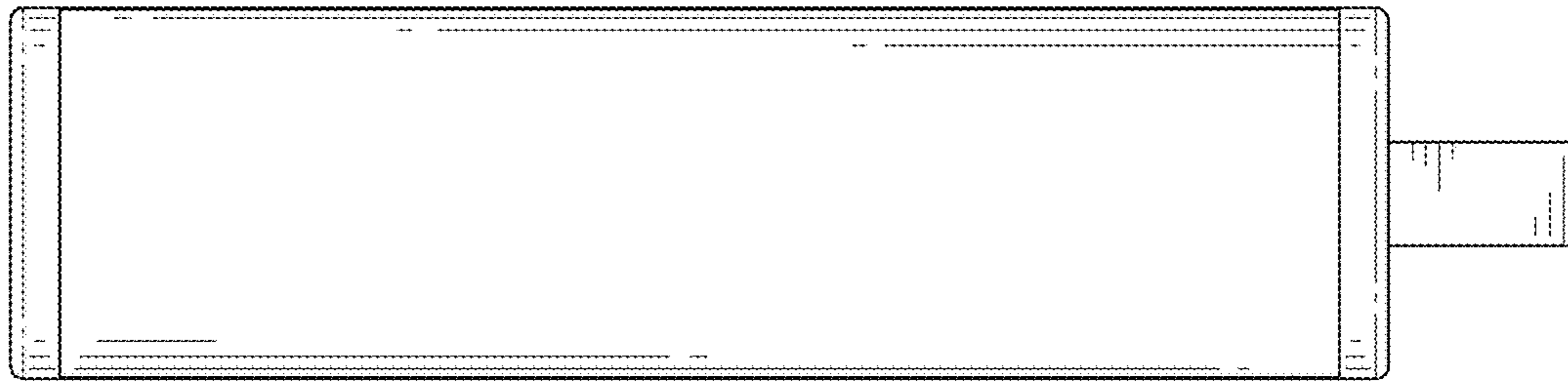


FIG. 8

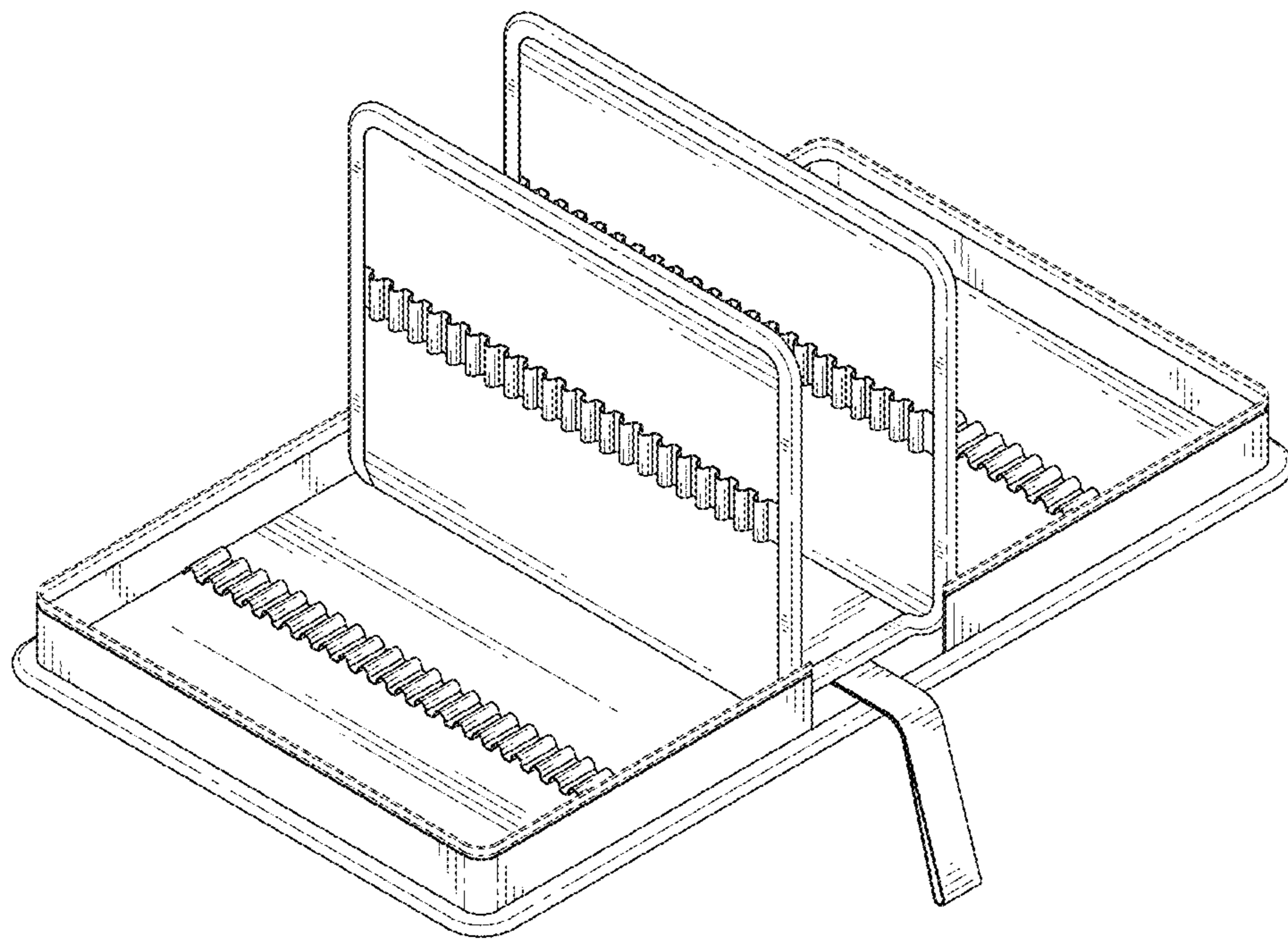


FIG. 9

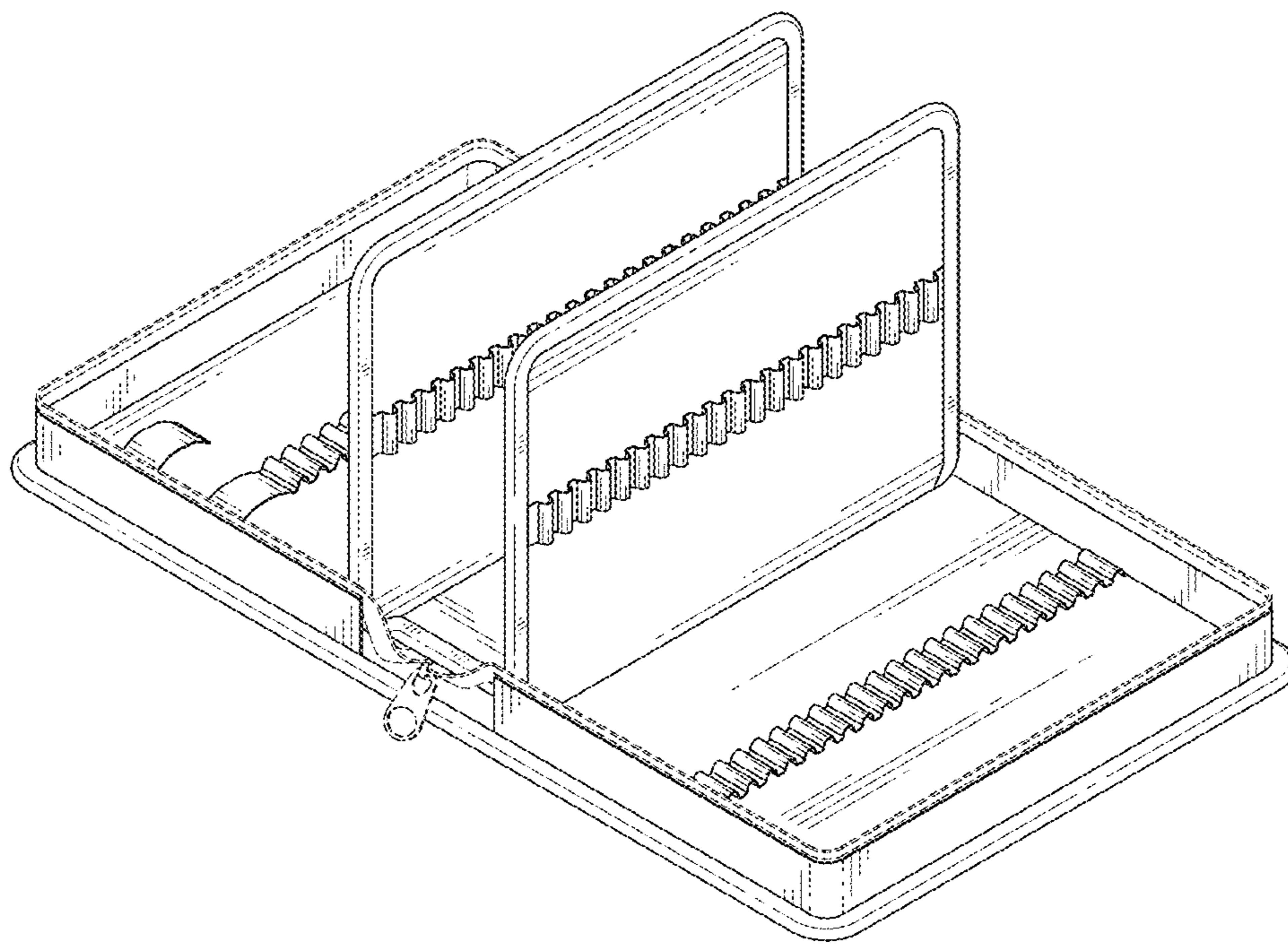


FIG. 10