



US00D841311S

(12) **United States Design Patent**
Young

(10) **Patent No.:** **US D841,311 S**

(45) **Date of Patent:** **** Feb. 26, 2019**

(54) **EQUIPMENT BOX**

(71) Applicant: **Venner Medical Technologies SA**, St. Helier, Jersey (JE)

(72) Inventor: **Peter Jeffrey Young**, King's Lynn (GB)

(73) Assignee: **Venner Medical Technologies SA**, St. Helier (JE)

(**) Term: **15 Years**

(21) Appl. No.: **29/592,239**

(22) Filed: **Jan. 27, 2017**

(30) **Foreign Application Priority Data**

Jul. 29, 2016 (EM) 003324177-0001

Jul. 29, 2016 (EM) 003324177-0002

(51) **LOC (11) Cl.** **03-01**

(52) **U.S. Cl.**
USPC **D3/203.1**

(58) **Field of Classification Search**
USPC D3/201, 203.1-203.3; D7/554.3;
D9/414, 420, 423, 422, 432; D24/121,
D24/227; D99/28, 29

(Continued)

(56) **References Cited**

U.S. PATENT DOCUMENTS

D22,290 S * 3/1893 Burnworth et al. D9/737

D126,124 S * 3/1941 Clemens et al. D9/423

(Continued)

Primary Examiner — John Windmuller

Assistant Examiner — Steven J Czyz

(74) *Attorney, Agent, or Firm* — Morgan, Lewis & Bockius LLP

(57) **CLAIM**

The ornamental design for an equipment box, as shown and described.

DESCRIPTION

FIG. 1 is a rear perspective view of an equipment box showing my new design in an open configuration;

FIG. 2 is a front perspective view of the equipment box shown in FIG. 1;

FIG. 3 is right-side elevational view of the equipment box shown in FIG. 1;

FIG. 4 is a left-side elevational view of the equipment box shown in FIG. 1;

FIG. 5 is a rear elevational view of the equipment box shown in FIG. 1;

FIG. 6 is a front elevational view of the equipment box shown in FIG. 1;

FIG. 7 is a top plan view of the equipment box shown in FIG. 1;

FIG. 8 is a bottom plan view of the equipment box shown in FIG. 1;

FIG. 9 is a rear perspective view of the equipment box of FIG. 1 shown in a closed configuration;

FIG. 10 is a rear perspective view of the equipment box shown in FIG. 9;

FIG. 11 is right-side elevational view of the equipment box shown in FIG. 9;

FIG. 12 is a left-side elevational view of the equipment box shown in FIG. 9;

FIG. 13 is a rear elevational view of the equipment box shown in FIG. 9;

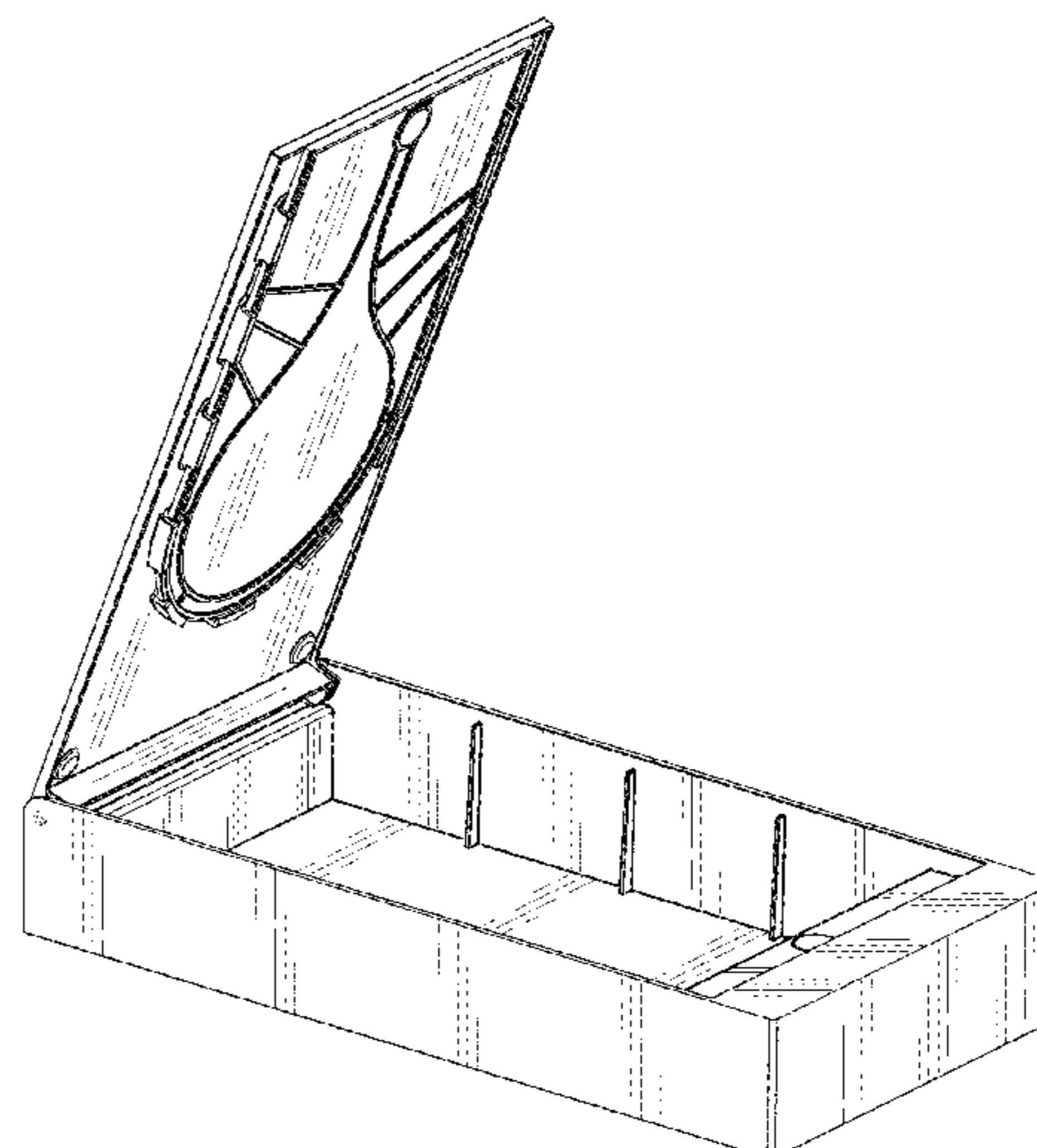
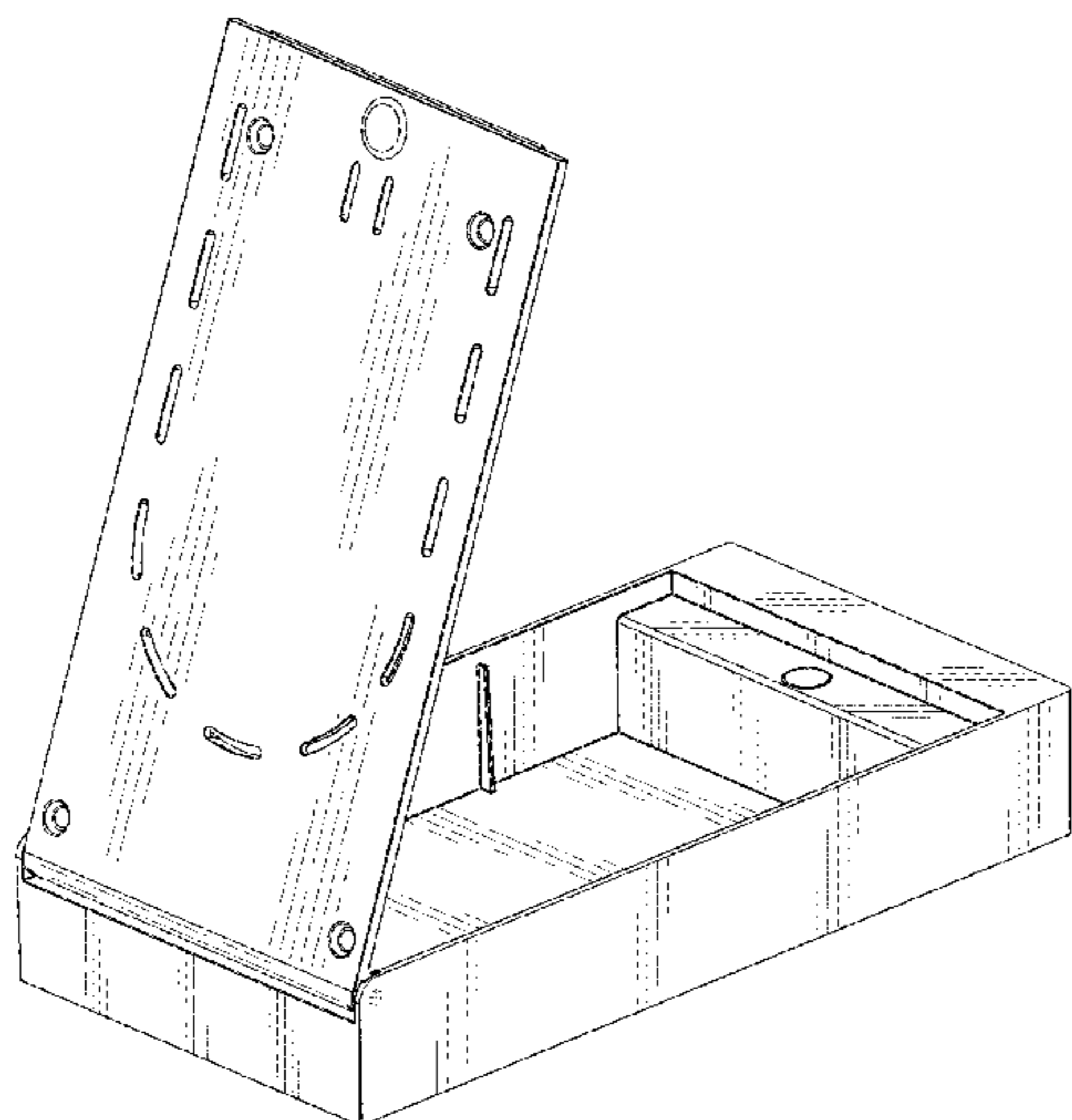
FIG. 14 is a front elevational view of the equipment box shown in FIG. 9;

FIG. 15 is a top plan view of the equipment box shown in FIG. 9; and,

FIG. 16 is a bottom plan view of the equipment box shown in FIG. 9.

The broken lines shown in the drawings represent portions of the equipment box that form no part of the claimed design.

1 Claim, 16 Drawing Sheets



(58) **Field of Classification Search**
 CPC B65D 5/0281; B65D 5/061; B65D 5/0015;
 B65D 1/09; A61J 1/00; A61J 1/03; A61J
 1/05; A61J 1/06; A61J 1/20
 See application file for complete search history.

(56) **References Cited**

U.S. PATENT DOCUMENTS

D281,920 S	*	12/1985	Lacka	D99/28
D291,024 S	*	7/1987	Kikuchi	D6/634
D307,504 S	*	4/1990	Silcox	D9/415
D318,419 S	*	7/1991	Jensen	D9/418
D339,059 S	*	9/1993	Koehler	D9/418
D353,711 S	*	12/1994	McGugan	200/305
D366,210 S	*	1/1996	McConner	D9/423
D369,295 S	*	4/1996	Kobari	D9/423
D385,781 S	*	11/1997	Levine	D9/423
D386,302 S	*	11/1997	Taylor	D3/201
D391,393 S	*	3/1998	Chan	D3/201
D395,391 S	*	6/1998	Landis	D9/415

D395,746 S	*	7/1998	Barackman	D3/201
D401,405 S	*	11/1998	Kim	D3/205
D413,726 S	*	9/1999	Krajnik	D3/254
D420,586 S	*	2/2000	MacEachern	D9/420
D433,630 S	*	11/2000	Lubineau-Bigot	D9/416
D457,374 S	*	5/2002	Lee	D3/201
D535,186 S	*	1/2007	Tanner	D9/420
D577,904 S	*	10/2008	Sasaki	D3/201
D591,951 S	*	5/2009	Peters	D3/295
D613,605 S	*	4/2010	Pozzo di Borgo	D9/517
D620,352 S	*	7/2010	Liipola	D9/432
D622,590 S	*	8/2010	Tayama	D9/432
D624,400 S	*	9/2010	Wichowski	D9/420
D669,352 S	*	10/2012	Paslowski	D9/423
D671,705 S	*	11/2012	Edmondson	D99/28
D689,688 S	*	9/2013	Horn	D3/203.2
D707,549 S	*	6/2014	McAdam	D9/420
D723,618 S	*	3/2015	Rowe	D19/86
D748,392 S	*	2/2016	Upchurch	D3/203.2
D778,593 S	*	2/2017	Agbeyo	D3/201
D819,439 S	*	6/2018	Young	D9/420

* cited by examiner

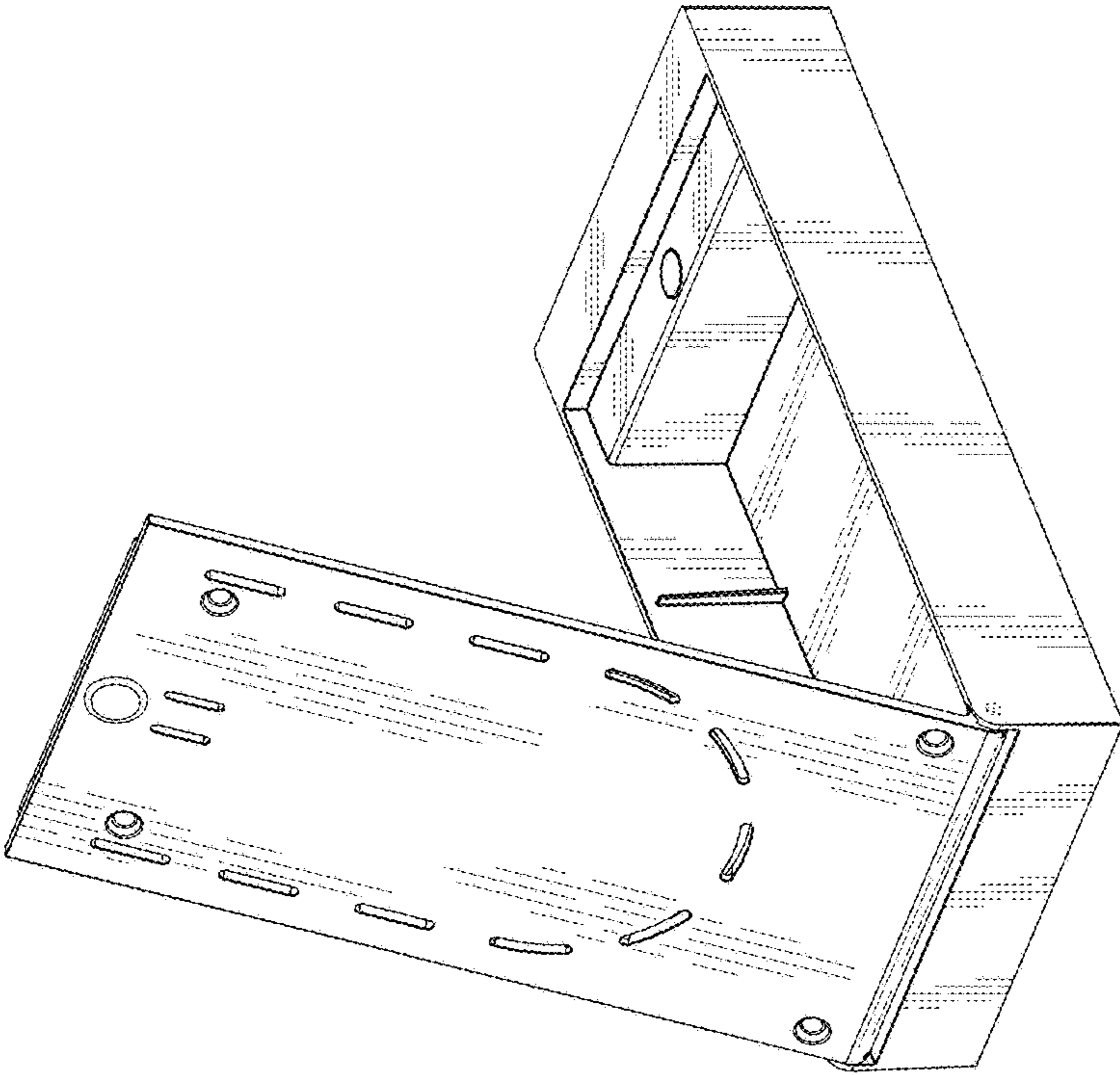


FIG. 1

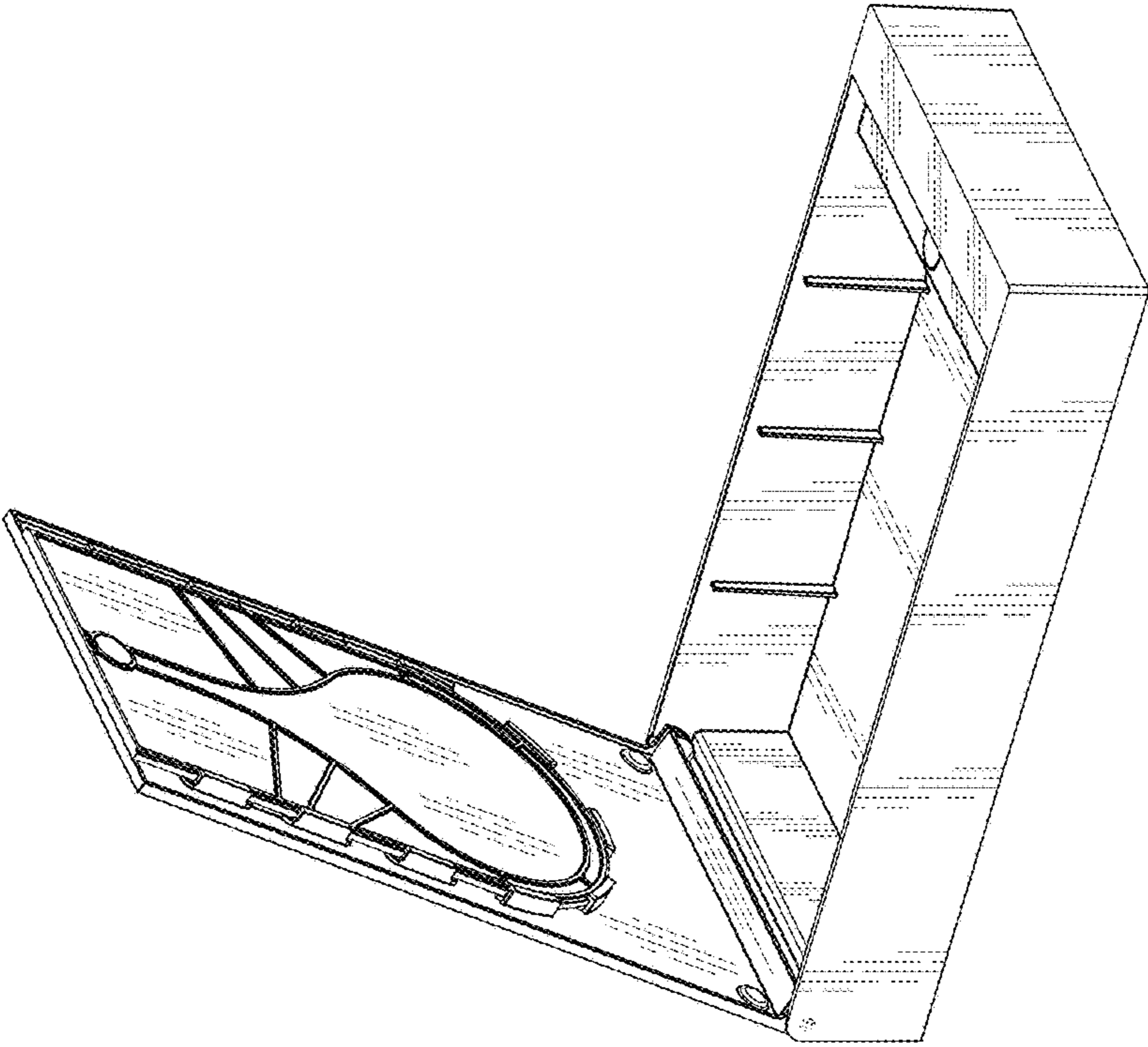


FIG. 2

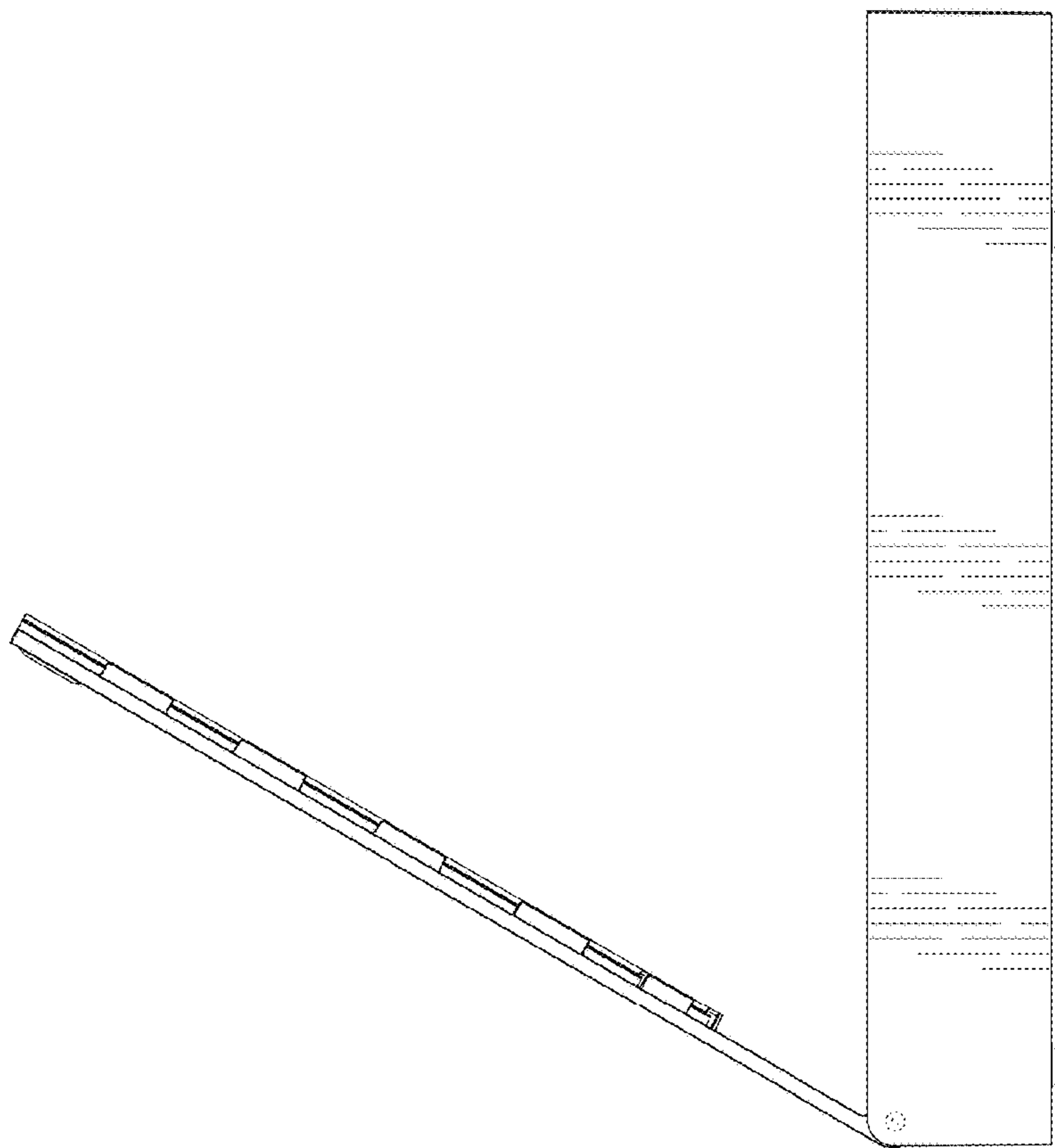


FIG. 3

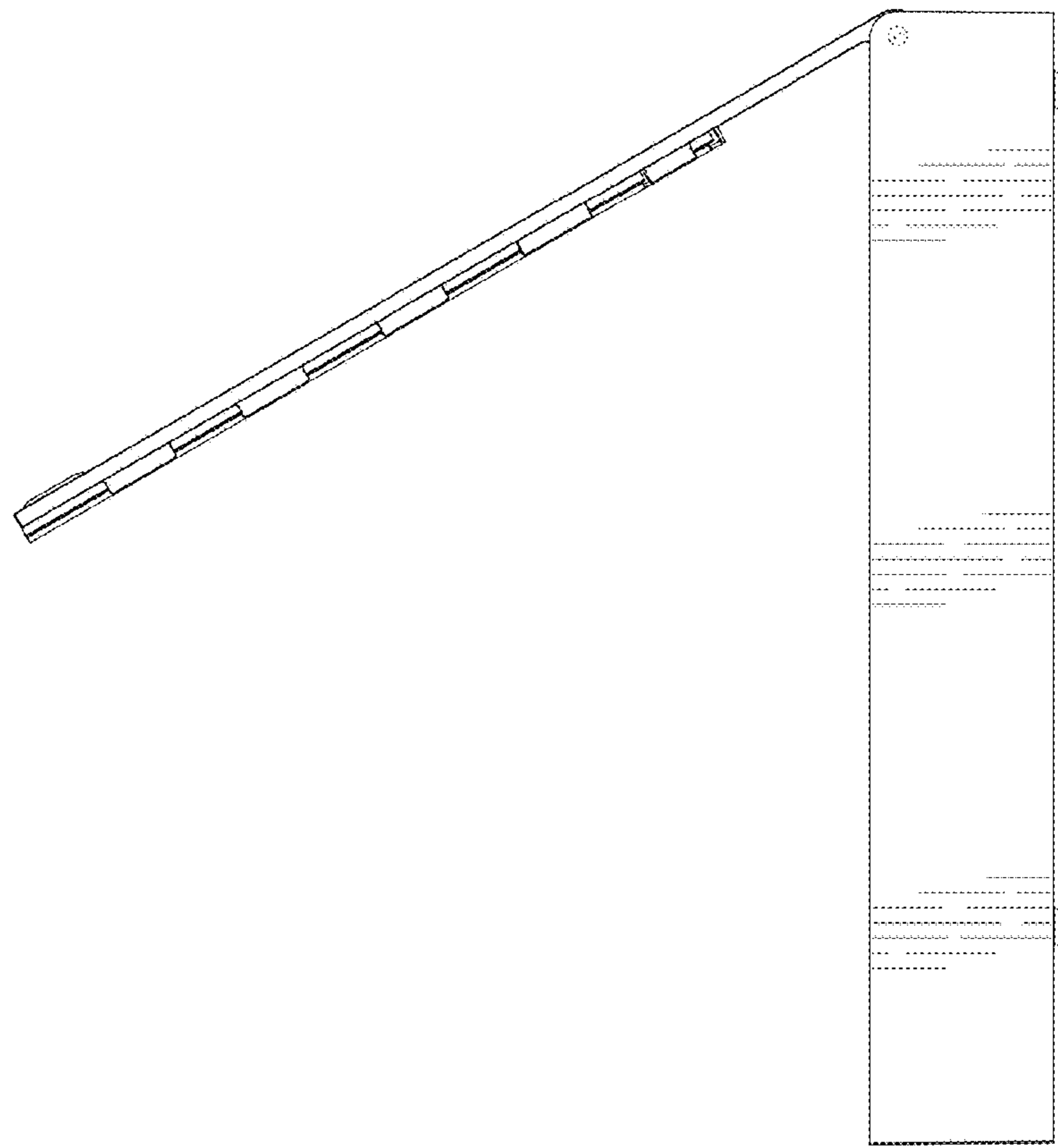


FIG. 4

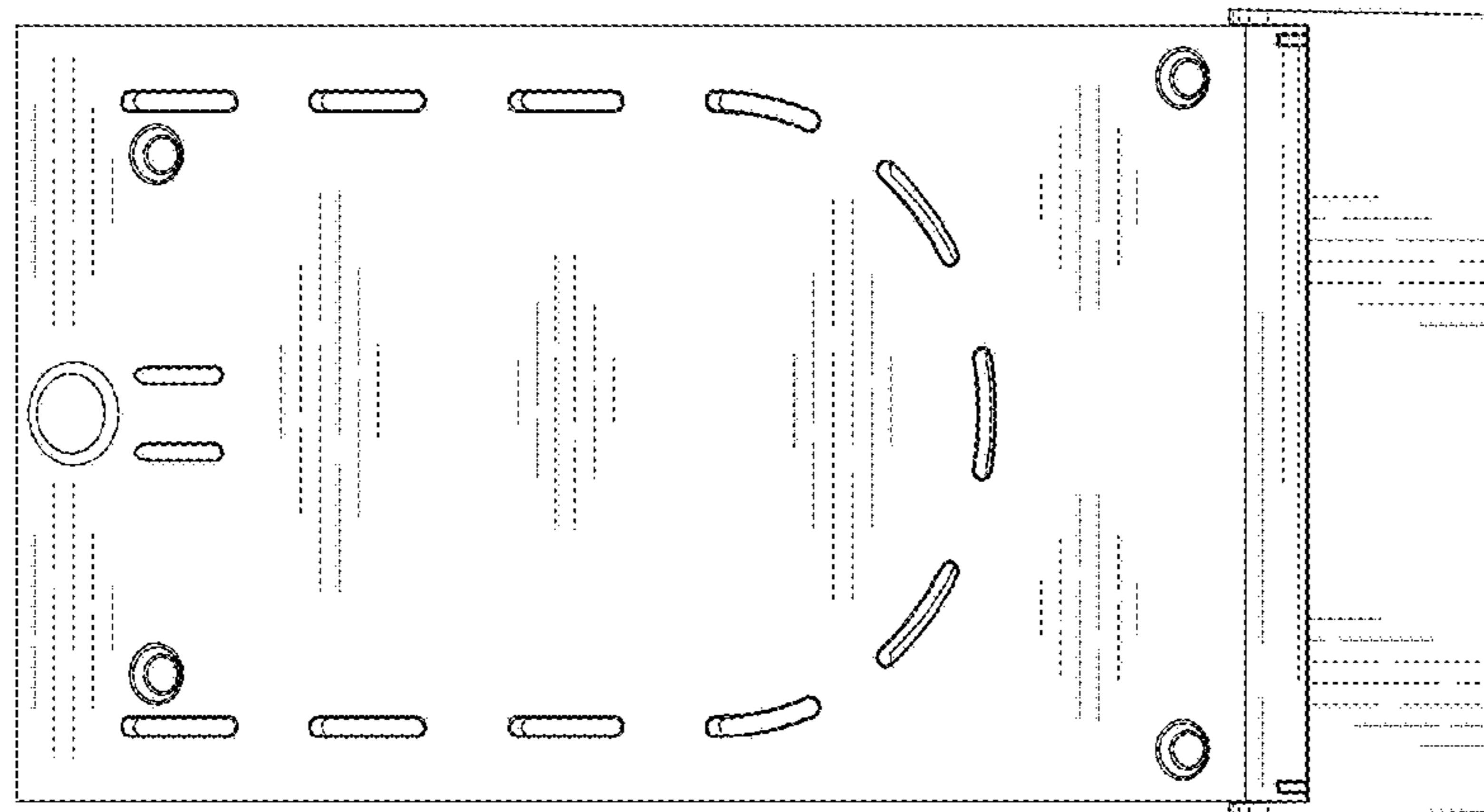


FIG. 5

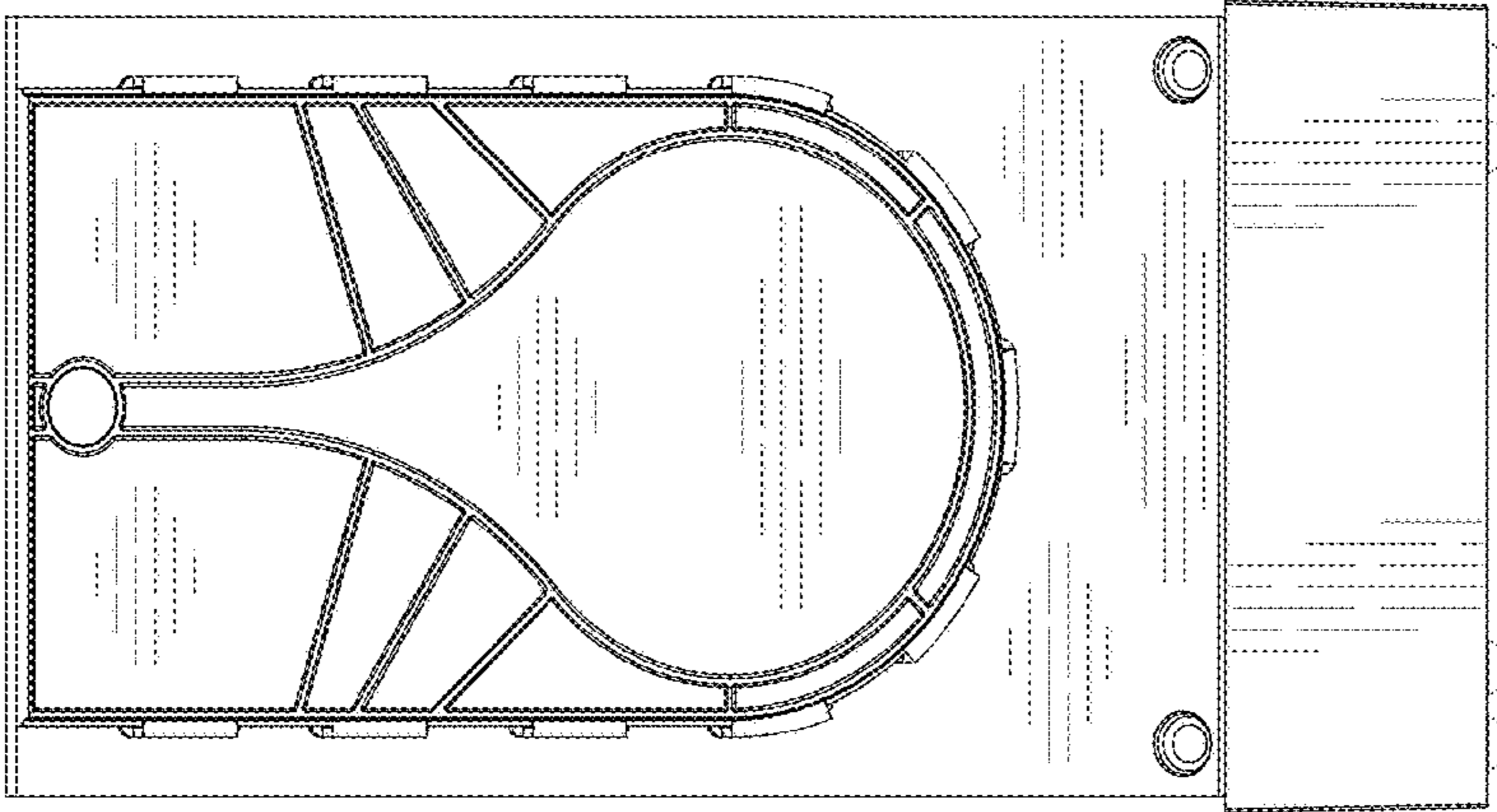


FIG. 6

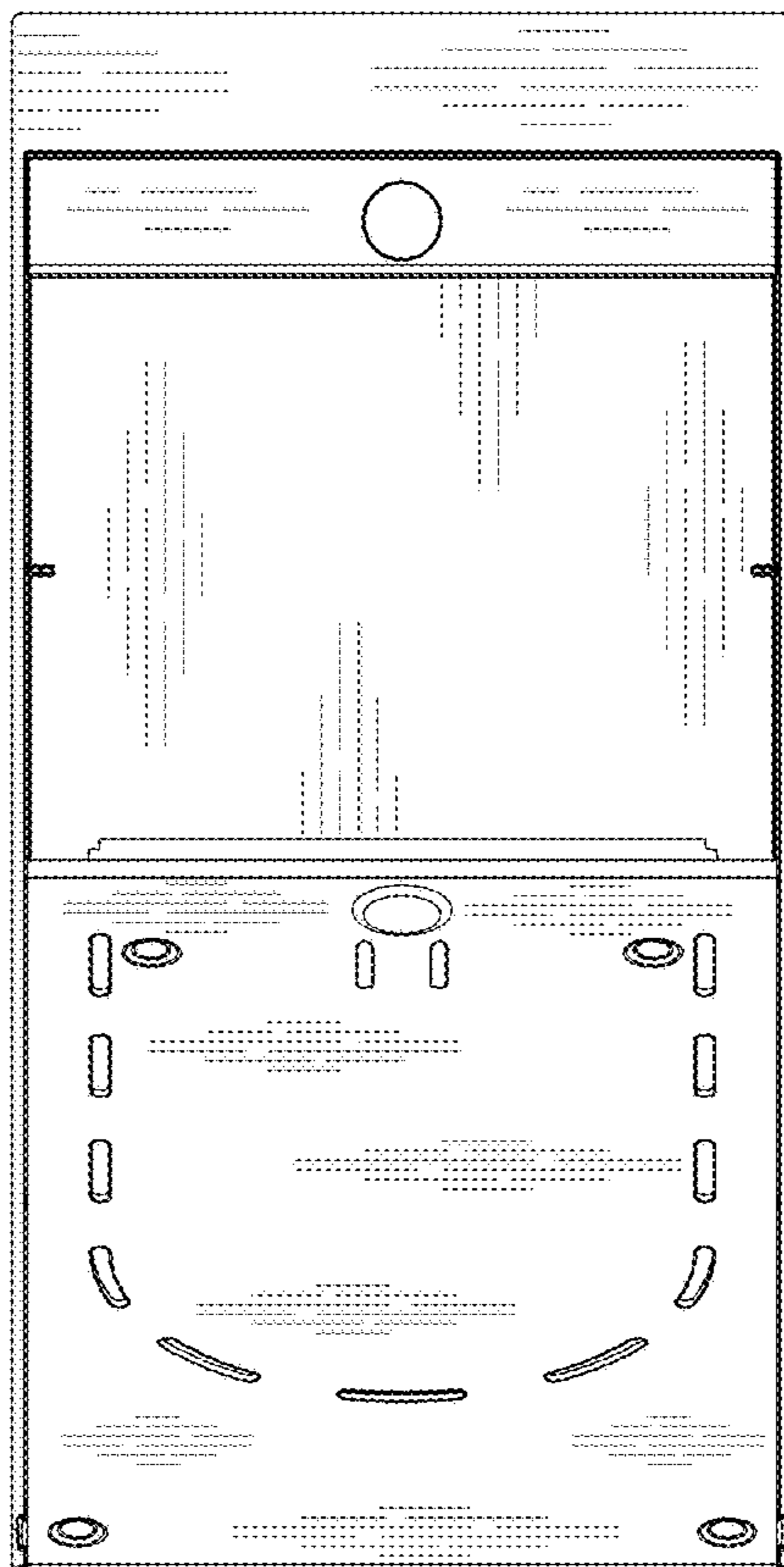


FIG. 7

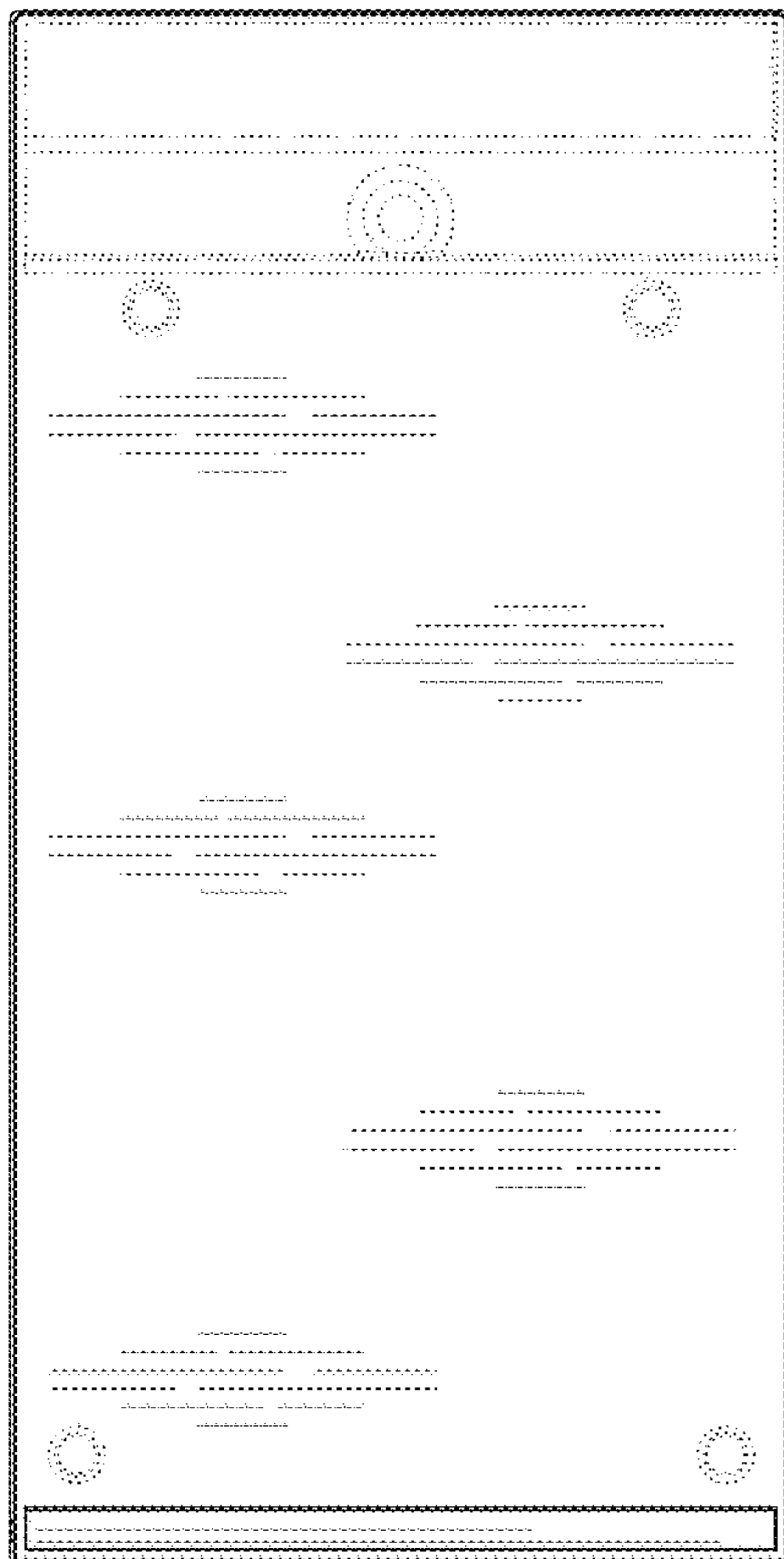


FIG. 8

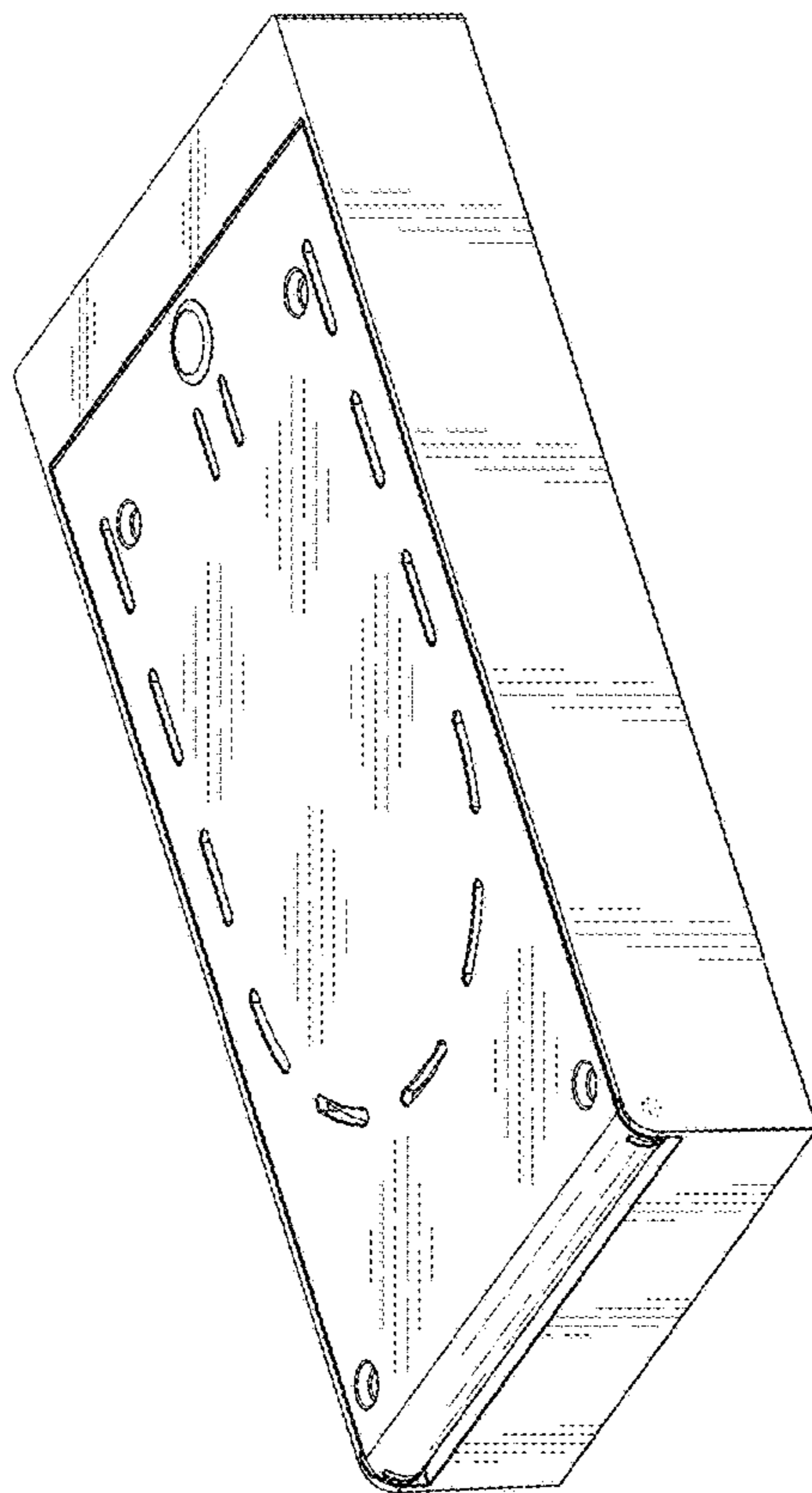


FIG. 9

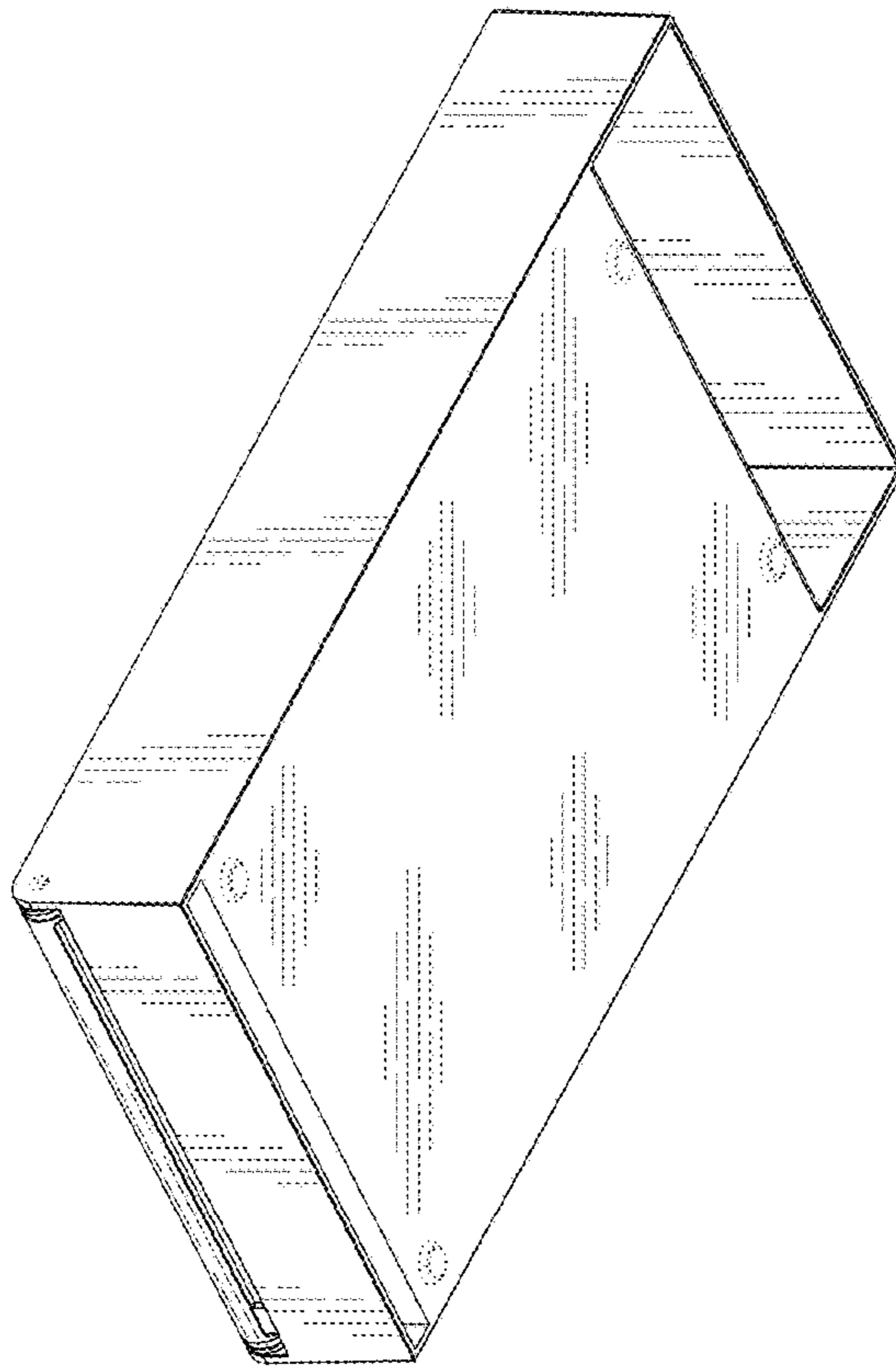


FIG. 10

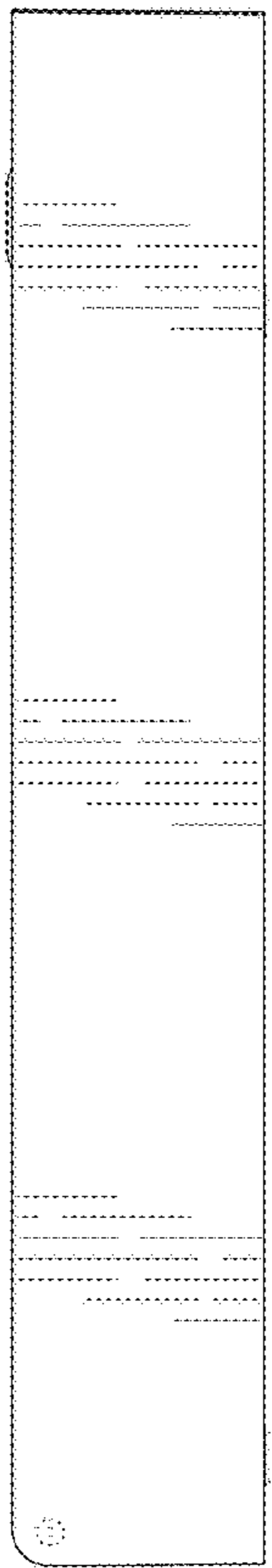


FIG. 11

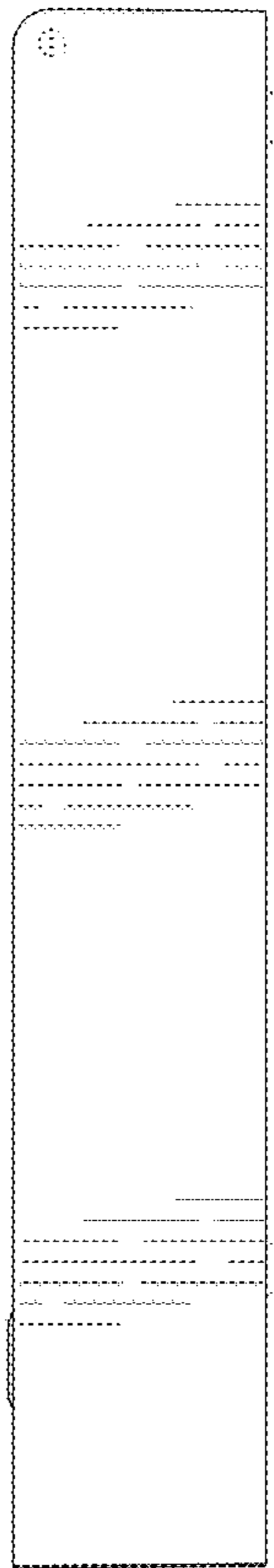


FIG. 12

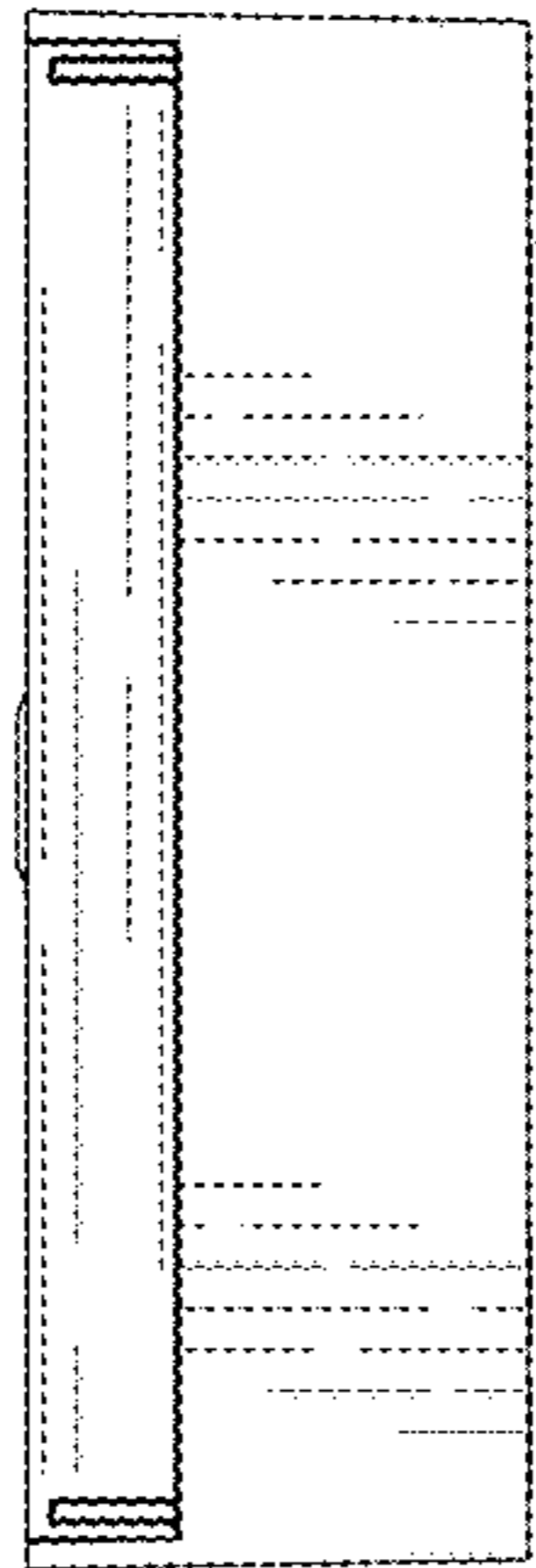


FIG. 13

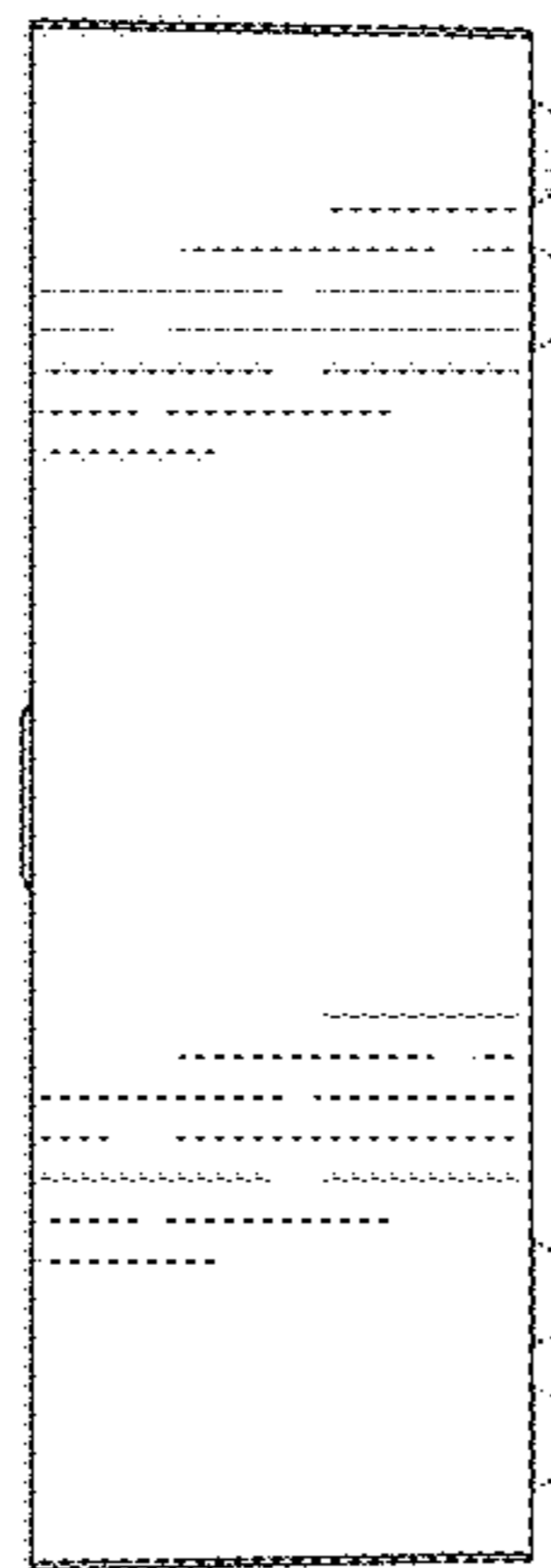


FIG. 14

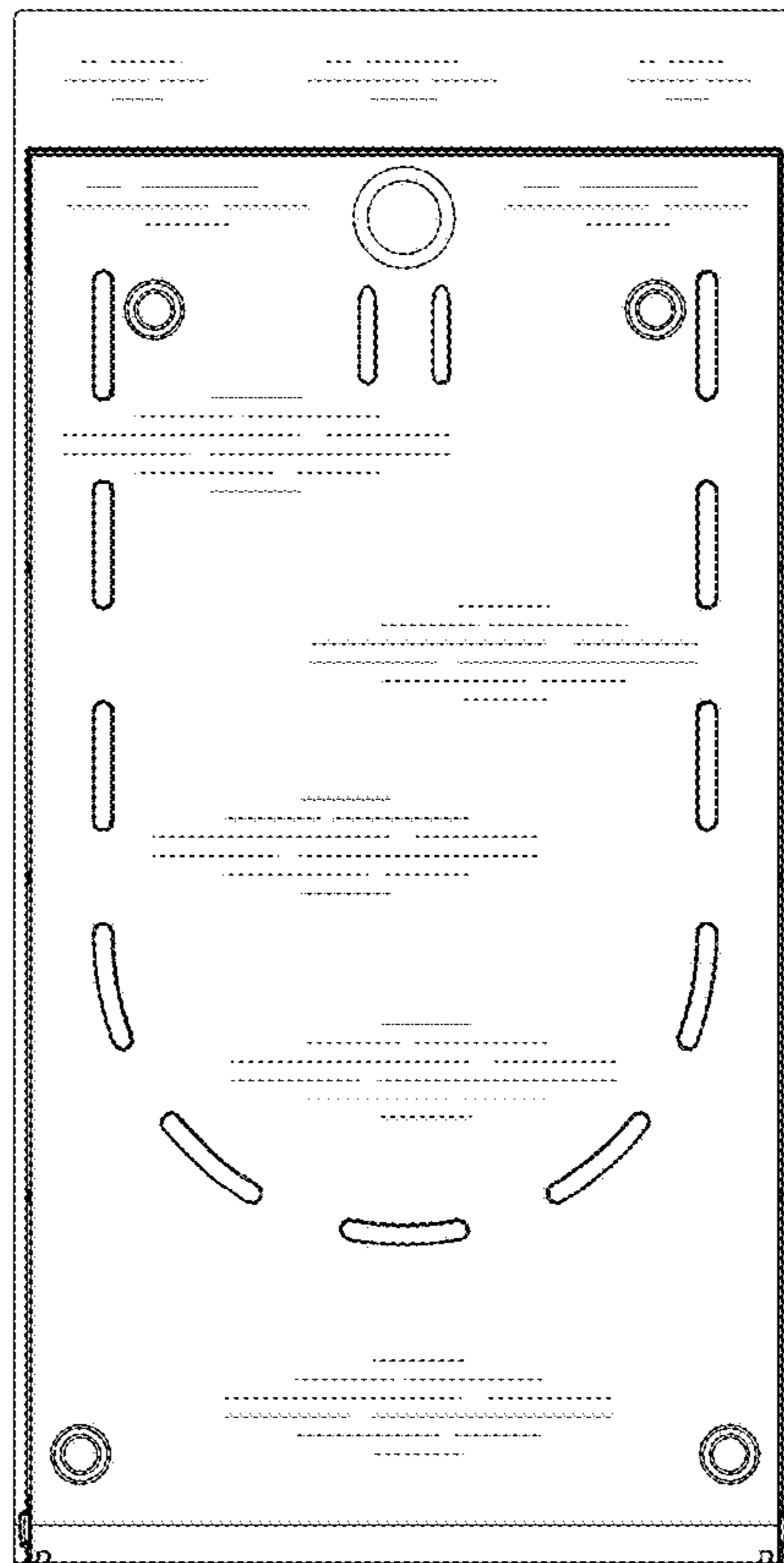


FIG. 15

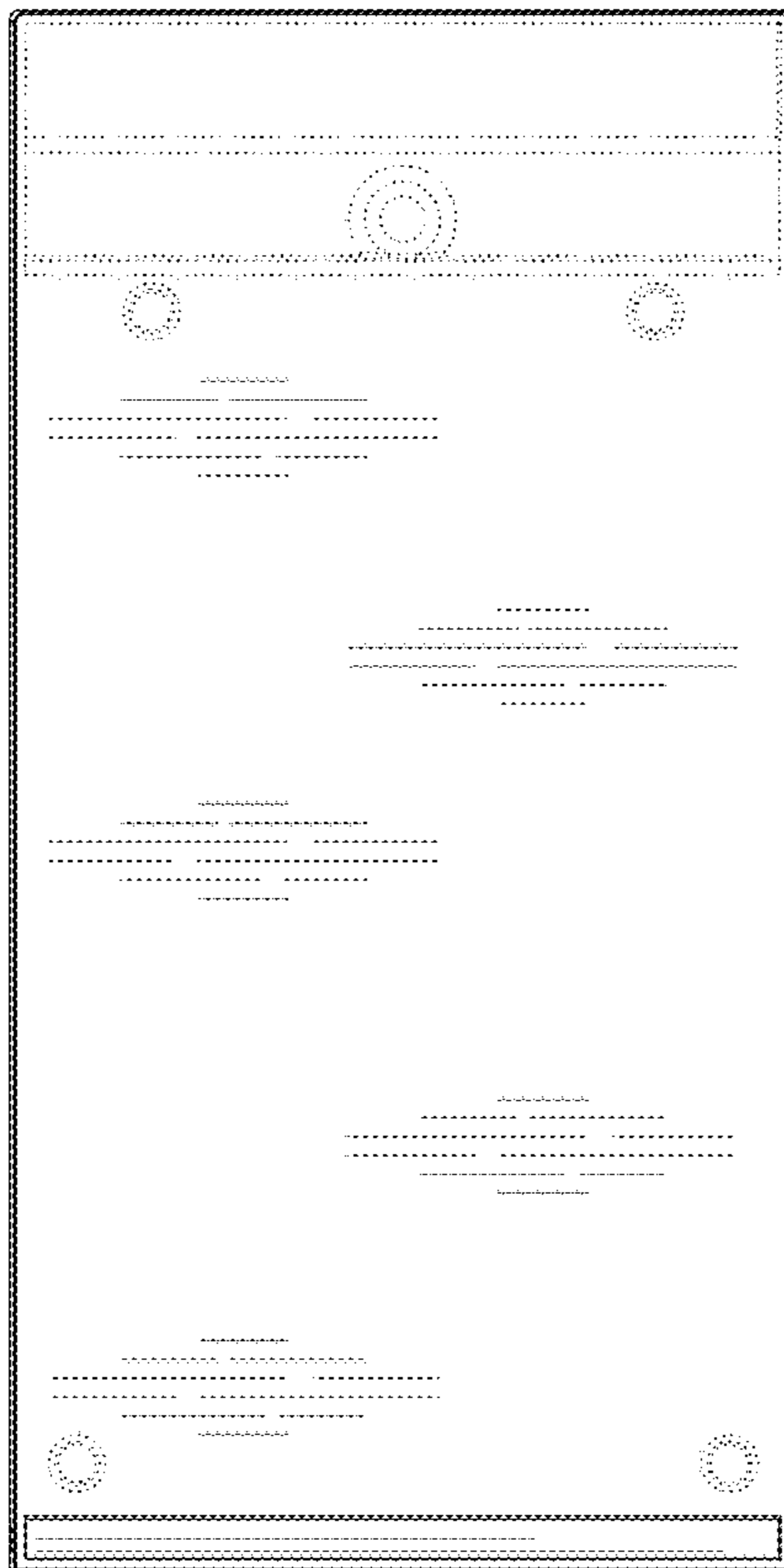


FIG. 16