



US00D841310S

(12) **United States Design Patent** (10) **Patent No.:** **US D841,310 S**
Yip et al. (45) **Date of Patent:** **** Feb. 26, 2019**

(54) **BOW MAKING DEVICE** 2,521,863 A * 9/1950 Mertz A41G 1/02
223/46
(71) Applicant: **Berwick Offray LLC**, Berwick, PA 2,542,222 A * 2/1951 Welch D04D 7/10
(US) 223/46
2,569,943 A * 10/1951 Mitchell D04D 7/10
223/46
(72) Inventors: **Yi-Ling Yip**, Kearny, NJ (US); **Patrick Daniel Corcoran**, Pompton Lakes, NJ (US) (Continued)

(73) Assignee: **Berwick Offray LLC**, Berwick, PA (US)

(**) Term: **15 Years**

(21) Appl. No.: **29/595,650**

(22) Filed: **Mar. 1, 2017**

(51) **LOC (11) Cl.** **03-04**

(52) **U.S. Cl.**
USPC **D3/18**

(58) **Field of Classification Search**
USPC D3/18, 20, 26, 273, 276; D7/547, 709; D15/66

CPC D04D 11/00; D04D 7/10
See application file for complete search history.

(56) **References Cited**

U.S. PATENT DOCUMENTS

696,361 A * 3/1902 Chase et al. D04D 7/10
223/46
1,010,155 A * 11/1911 Lange et al. D04D 7/10
223/46
1,307,069 A * 6/1919 Weismantel et al. D04D 7/10
211/119.005
1,598,310 A * 8/1926 Quinlan B65B 13/26
223/46
2,077,370 A * 4/1937 Reynolds A41D 25/001
223/46
2,105,436 A * 1/1938 Flatto A41D 25/02
132/275
2,107,194 A * 2/1938 Yacker B65D 25/06
190/109

OTHER PUBLICATIONS

Bowdabra (from Archive.org), available at <http://web.archive.org/web/20080612035745/http://www.bowdabra.com/> (at east as early as Jun. 12, 2008 per Archive.org) (2 pages).

(Continued)

Primary Examiner — John Windmuller

Assistant Examiner — Steven J Czyz

(74) *Attorney, Agent, or Firm* — McCarter & English, LLP

(57) **CLAIM**

The ornamental design for a bow making device, as shown and described.

DESCRIPTION

FIG. 1 is a front perspective view of a bow making device; FIG. 2 is a front elevational view of the bow making device of FIG. 1;

FIG. 3 is a rear elevational view of the bow making device of FIG. 1;

FIG. 4 is a right side elevational view of the bow making device of FIG. 1;

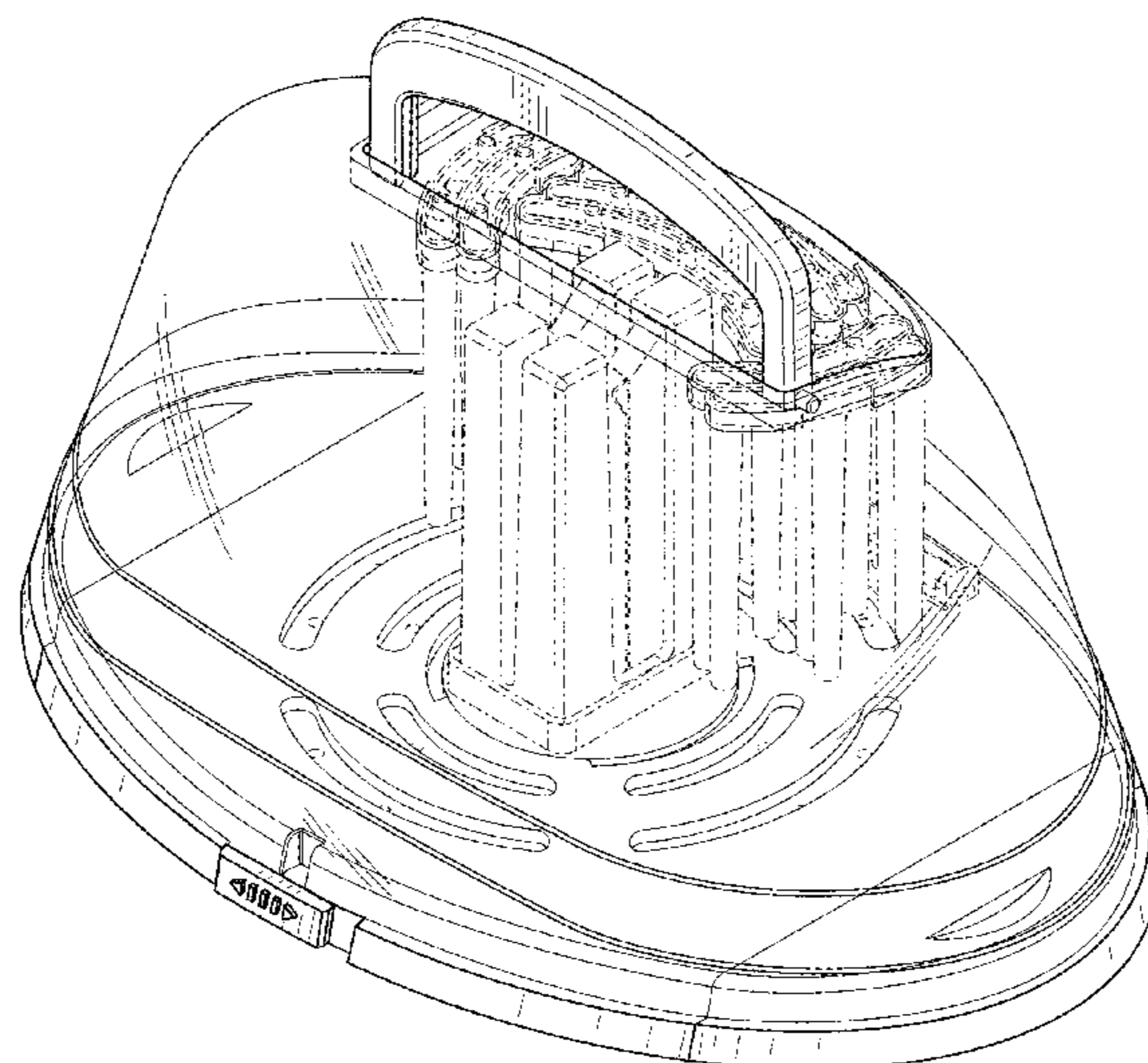
FIG. 5 is a left side elevational view of the bow making device of FIG. 1;

FIG. 6 is a top plan view of the bow making device of FIG. 1; and,

FIG. 7 is a bottom plan view of the bow making device of FIG. 1.

The broken lines depict portions of a bow making device that form no part of the claimed design.

1 Claim, 4 Drawing Sheets



(56)

References Cited

U.S. PATENT DOCUMENTS

2,666,249 A *	1/1954	Ruiz	A41G 1/00	5,369,934 A	12/1994	Weder	
			156/61	5,388,386 A	2/1995	Weder	
2,763,080 A *	9/1956	Welch	D04D 7/10	5,407,108 A *	4/1995	Hambright	D04D 7/10
			223/46				223/44
2,828,896 A *	4/1958	Hanselman	D04D 7/10	5,408,802 A	4/1995	Weder et al.	
			223/46	5,411,188 A *	5/1995	Teuten	D04D 7/10
2,905,368 A *	9/1959	Runyan	D04D 7/10				223/44
			223/46	5,448,875 A *	9/1995	Weder	A01G 5/04
3,061,153 A *	10/1962	Rector	D04D 7/10				53/397
			223/46	5,456,056 A	10/1995	Weder	
3,126,093 A *	3/1964	Bradley et al.	B65D 25/02	D364,732 S *	12/1995	Hyché	D3/26
			206/752	D364,733 S *	12/1995	Cavender	D3/26
3,214,070 A *	10/1965	Twigg	D04D 7/10	5,509,586 A *	4/1996	Leiser	D04D 7/10
			223/46				223/46
3,223,440 A *	12/1965	Rosenzweig	D04D 7/10	5,537,800 A	7/1996	Weder	
			223/46	5,560,181 A *	10/1996	Weder	A01G 5/04
3,236,426 A *	2/1966	Kerrigan	D04D 7/10				53/410
			223/46	5,595,046 A	1/1997	Weder	
3,286,888 A *	11/1966	Cuttler	D04D 7/10	5,596,862 A *	1/1997	Weder	A01G 5/04
			223/46				53/397
3,289,900 A *	12/1966	Mashburn, Jr.	D04D 7/10	5,617,979 A *	4/1997	Cavender	D04D 7/10
			223/46				223/44
3,377,674 A *	4/1968	Brassaw	D04D 5/00	D381,200 S *	7/1997	Benson	D3/281
			28/147	5,662,250 A *	9/1997	Werling	D04D 7/10
3,428,227 A *	2/1969	Cavoli	D04D 7/10				223/44
			223/46	D389,998 S *	2/1998	Cavender	D3/26
3,462,049 A *	8/1969	Smith	D04D 7/10	D393,147 S *	4/1998	Renshaw	D3/26
			223/46	D396,950 S *	8/1998	Werling	D3/26
3,501,070 A *	3/1970	Shattuck	D04D 7/10	5,810,214 A *	9/1998	Hecht	D04D 7/10
			223/46				223/46
3,816,888 A *	6/1974	Rather, Jr.	D04D 5/00	5,913,450 A *	6/1999	Runkel	B44D 3/128
			28/147				220/696
3,850,293 A *	11/1974	Scaringi	A41G 1/00	5,975,383 A *	11/1999	Cavender	D04D 7/10
			206/231				223/44
3,854,179 A *	12/1974	Montoya	D04D 7/08	6,000,586 A *	12/1999	Cavender	D04D 7/10
			28/147				223/44
4,186,833 A *	2/1980	Homan	B65D 25/02	6,131,778 A *	10/2000	Etzion	D04D 7/10
			206/225				223/46
4,337,578 A *	7/1982	Seals	G01B 5/02	D465,614 S *	11/2002	Petit	D28/76
			28/147	D483,667 S *	12/2003	Crowley	D9/433
D266,630 S *	10/1982	O'Brien	D3/26	D513,365 S *	1/2006	Singh	D3/276
4,410,113 A *	10/1983	Palombo	D04D 7/10	D580,649 S *	11/2008	Ota	D3/26
			223/46	D581,661 S *	12/2008	Gonzalez	D3/242
4,454,968 A *	6/1984	StLawrence	D04D 11/00	D594,645 S *	6/2009	Oe	D3/26
			223/46	D594,646 S *	6/2009	Oe	D3/26
4,629,100 A *	12/1986	Owens	D04D 7/10	D594,647 S *	6/2009	Oe	D3/26
			223/46	D610,458 S *	2/2010	Martin	D9/414
4,714,182 A *	12/1987	Hecht	D04D 7/10	D614,858 S *	5/2010	Ranzau	D3/26
			223/46	D615,291 S *	5/2010	Ranzau	D3/26
5,100,706 A *	3/1992	Zaweski	D04D 7/10	D615,746 S *	5/2010	Ranzau	D3/26
			223/46	D632,432 S *	2/2011	Holloway	D28/40
5,111,637 A *	5/1992	Weder	B65D 65/22	7,946,456 B1 *	5/2011	Holloway	A45D 8/26
			53/397				223/46
5,111,638 A *	5/1992	Weder	B29C 51/08	8,403,145 B1 *	3/2013	Yip	D04D 11/00
			53/397				206/391
5,181,364 A *	1/1993	Weder	A01G 5/04	D682,537 S *	5/2013	Maligno	D3/26
			206/423	D741,591 S *	10/2015	Shainwald	D3/26
5,211,302 A *	5/1993	Tiramani	A45C 13/04	D741,592 S *	10/2015	Shainwald	D3/26
			206/581	2008/0073386 A1 *	3/2008	Lavorato	D04D 11/00
5,215,791 A *	6/1993	Davignon	D04D 7/10				223/46
			223/46	2009/0294490 A1 *	12/2009	Gustin	D04D 7/10
5,239,804 A *	8/1993	Weder	B65B 25/02				223/46
			53/397	2010/0025438 A1 *	2/2010	Ranzau	A41D 25/08
5,245,814 A *	9/1993	Weder	A01G 5/04				223/46
			229/87.01	2012/0012621 A1 *	1/2012	Sellers	D04D 7/10
5,261,578 A *	11/1993	Monahan	D04D 11/00				223/46
			223/46	2013/0015214 A1 *	1/2013	Ranzau	A41D 25/08
5,297,705 A *	3/1994	Schmidt	A41H 43/00				223/46
			223/44	OTHER PUBLICATIONS			
D348,984 S *	7/1994	Gilbert	D3/205	Fiskars Bow Maker, available at http://www.fiskarscrafts.com/tools/t.sub.-bow-maker.aspx and available at http://crafts-sewing.hsn.com/fiskars-bow-maker-ultimate-bow-and-floral--stapler.sub.--p-3331722.sub.-xp.aspx (Prior to Jul. 27, 2009) (4pages).			
5,356,056 A *	10/1994	Teuten	D04D 7/10	Itsy Bitsy Bow Maker (from Archive.org), available at http://web.archive.org/web/20071026124534/http://www.packrat-pro.com/			
			223/44				

(56)

References Cited

OTHER PUBLICATIONS

bows- /bows.htm and <http://web.archive.org/web/20071026165758/http://www.packrat-pro.com/bows- /bowhow1.htm> (Oct. 26, 2007 per Archive.org) (6 pages).

Jiffy Bow Maker, available at www.jiffbowmaker.com (prior to Jul. 27, 2009) (additional info at Archive.org) (3 pages).

TheCardLadies Adjustable Bow Maker (from Archive.org), available at <http://web.archive.org/web/20080420121139/http://www.thecardladies.com/BowMaker.htm> (at least as early as Apr. 20, 2008 per Archive.org) (3 pages).

U.S. Office Action for U.S. Appl. No. 29/595,670 dated Nov. 1, 2017.

US. Appl. No. 08/133,618, title: Bow Making Apparatus, filed Oct. 7, 1993 (abandoned) (21 pages).

U.S. Appl. No. 09/109,563, title: Folded Corrugated Material and Method for Producing Same, filed Jul. 2, 1998 (abandoned).

* cited by examiner

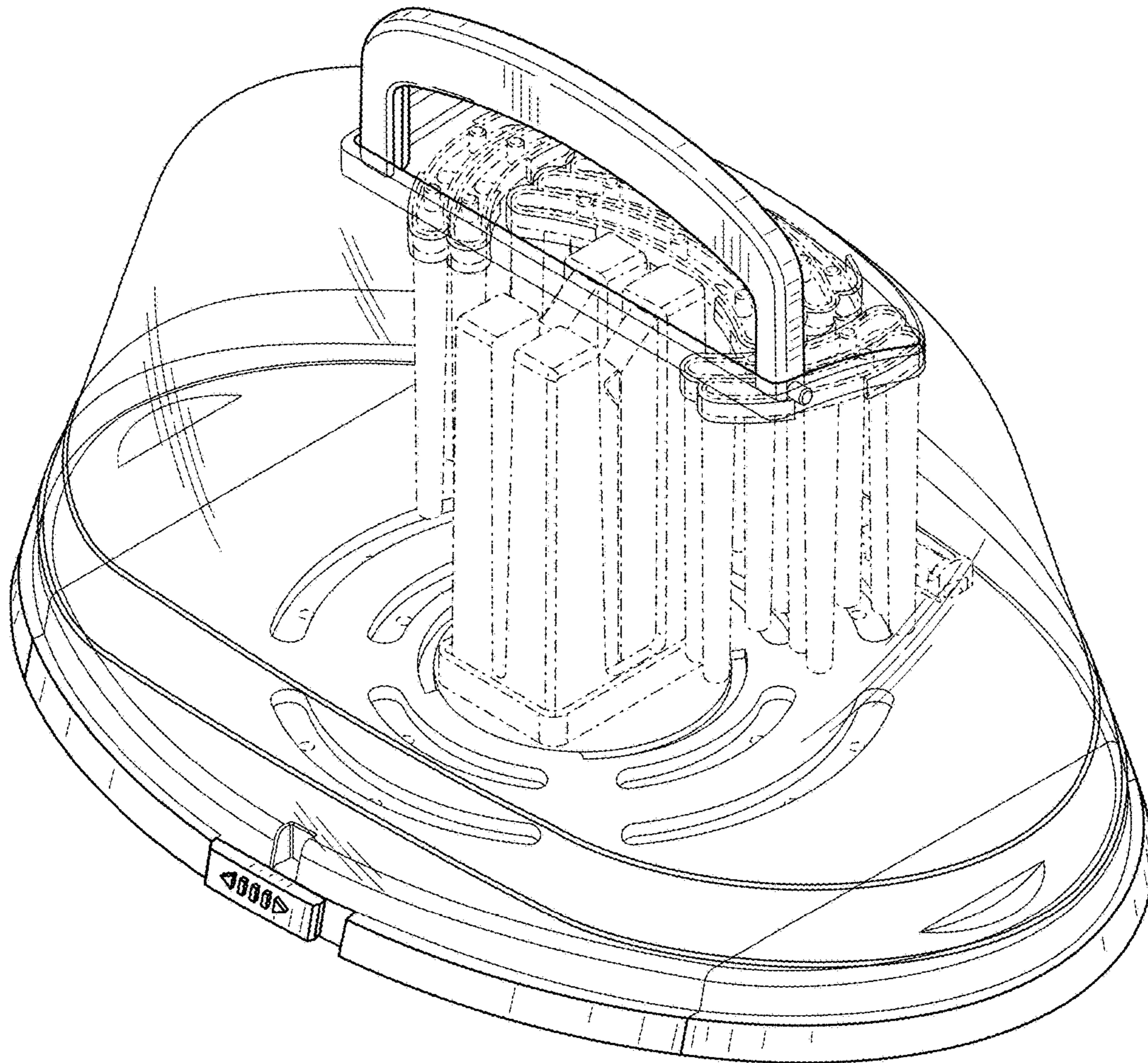


FIG. 1

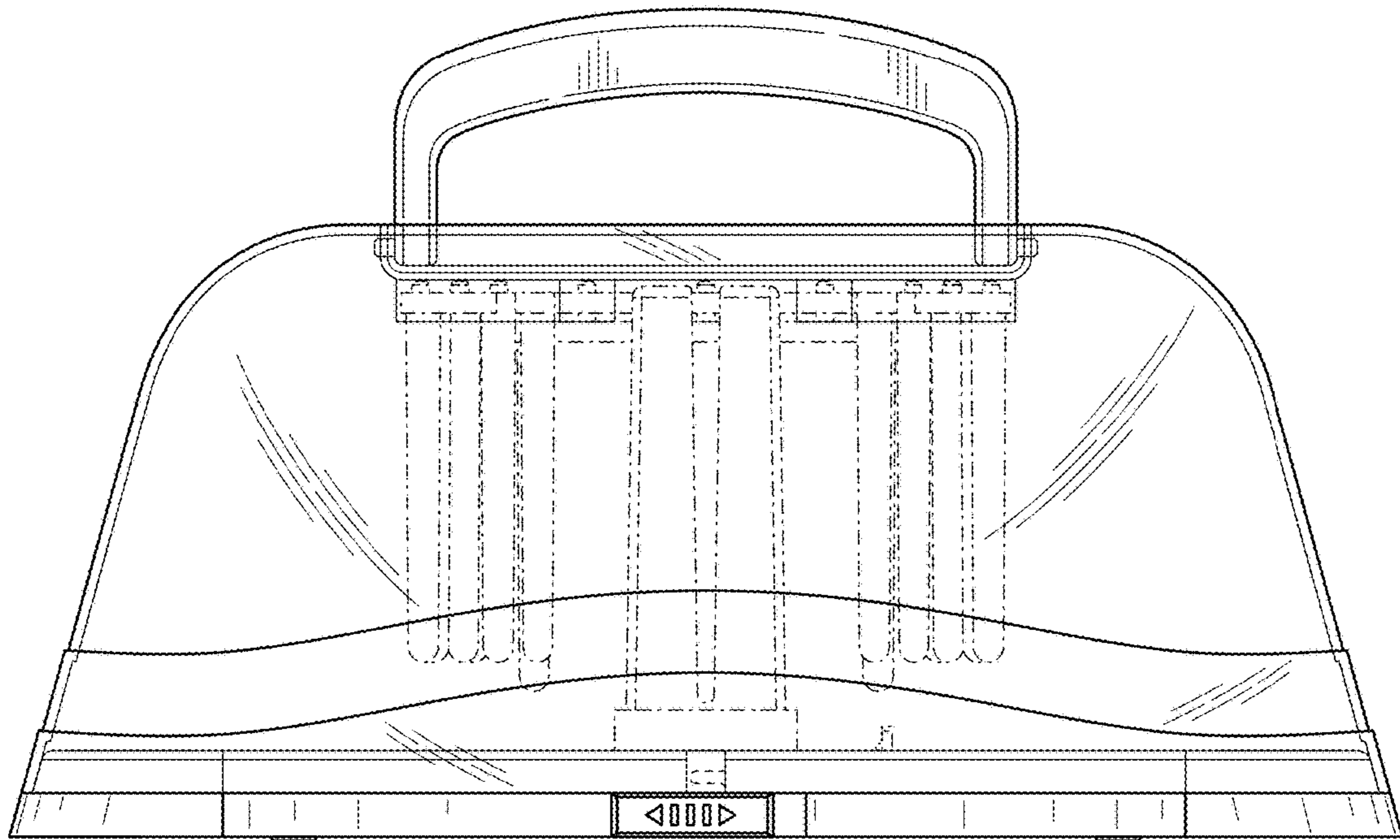


FIG. 2

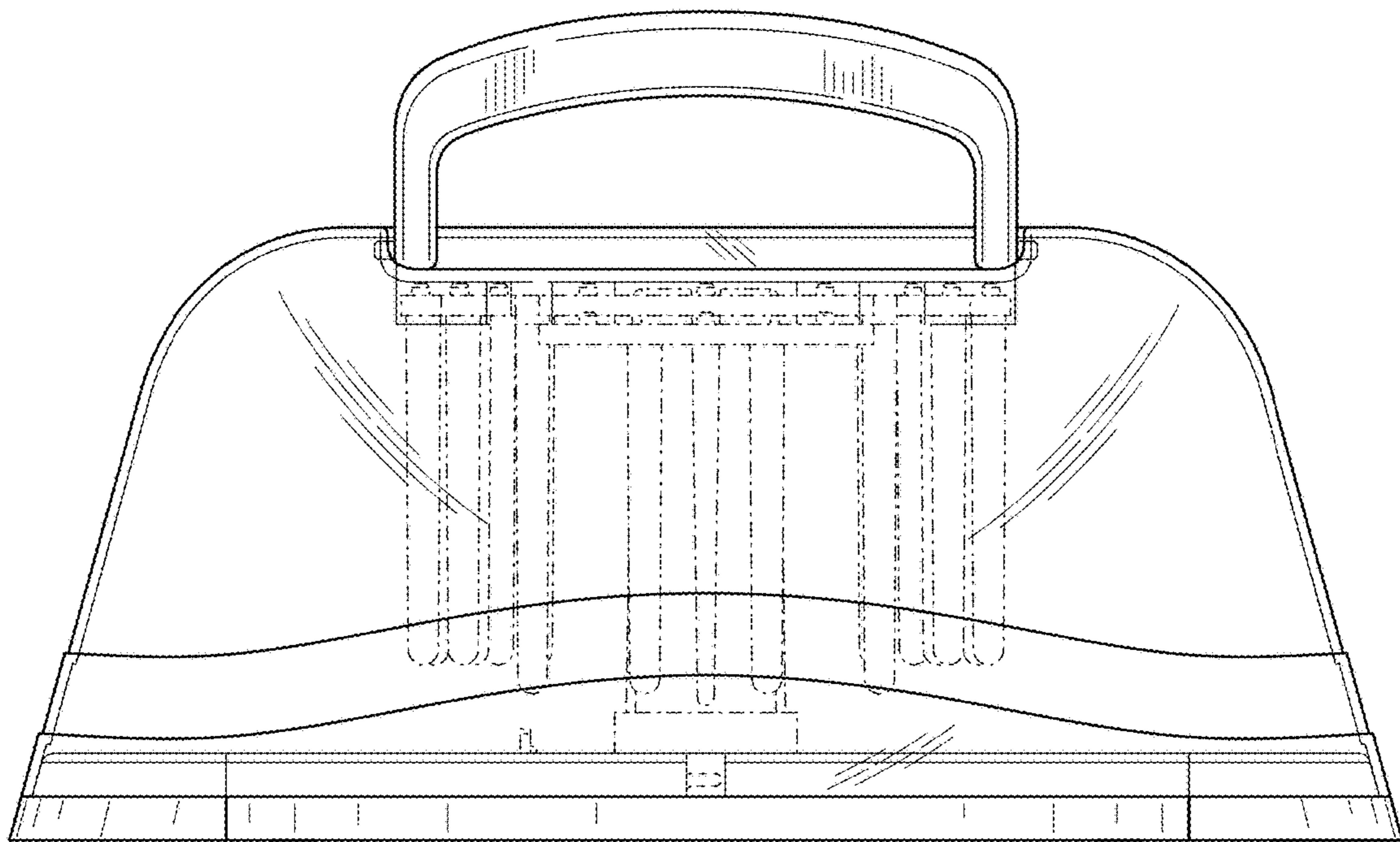


FIG. 3

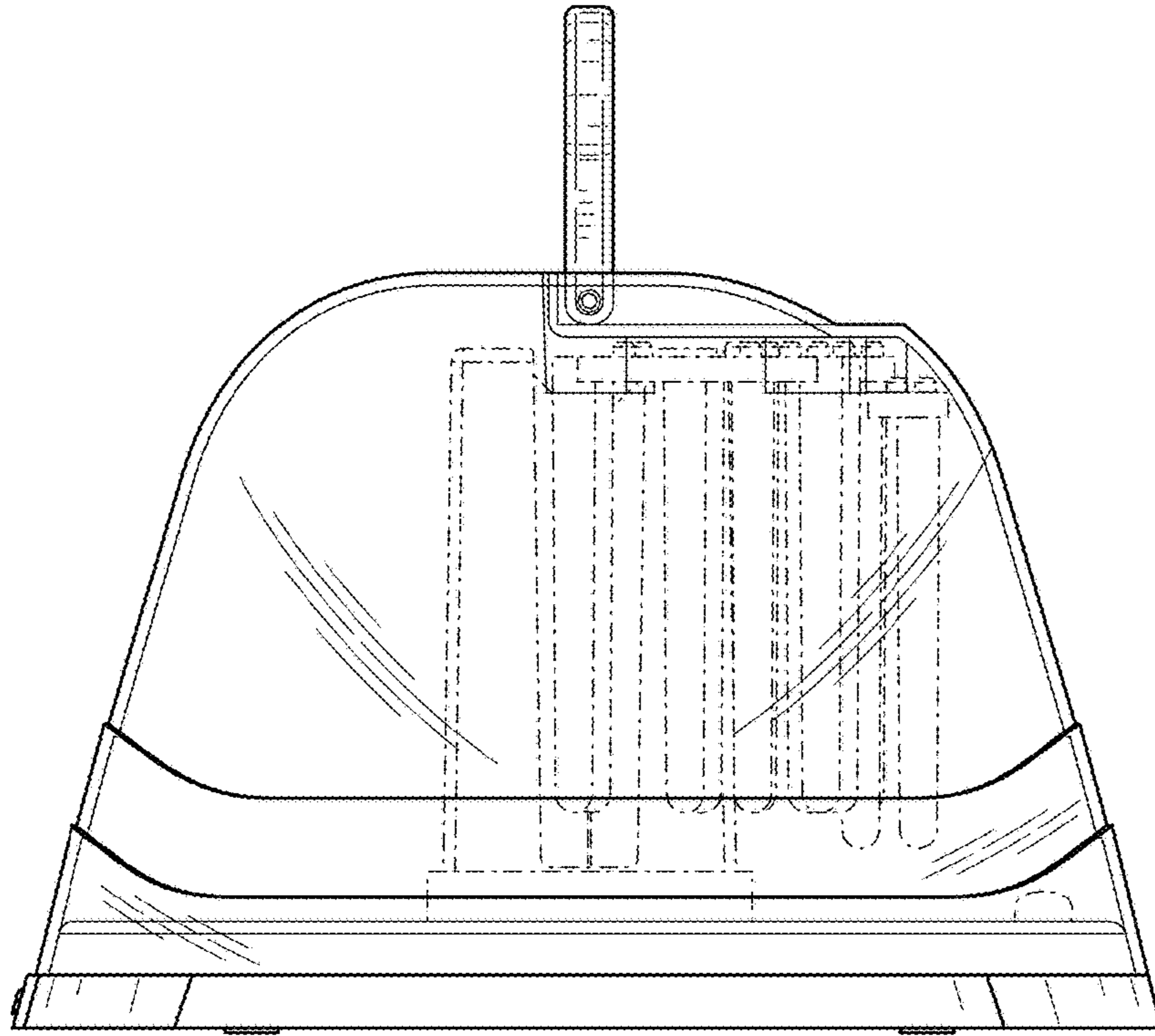


FIG. 4

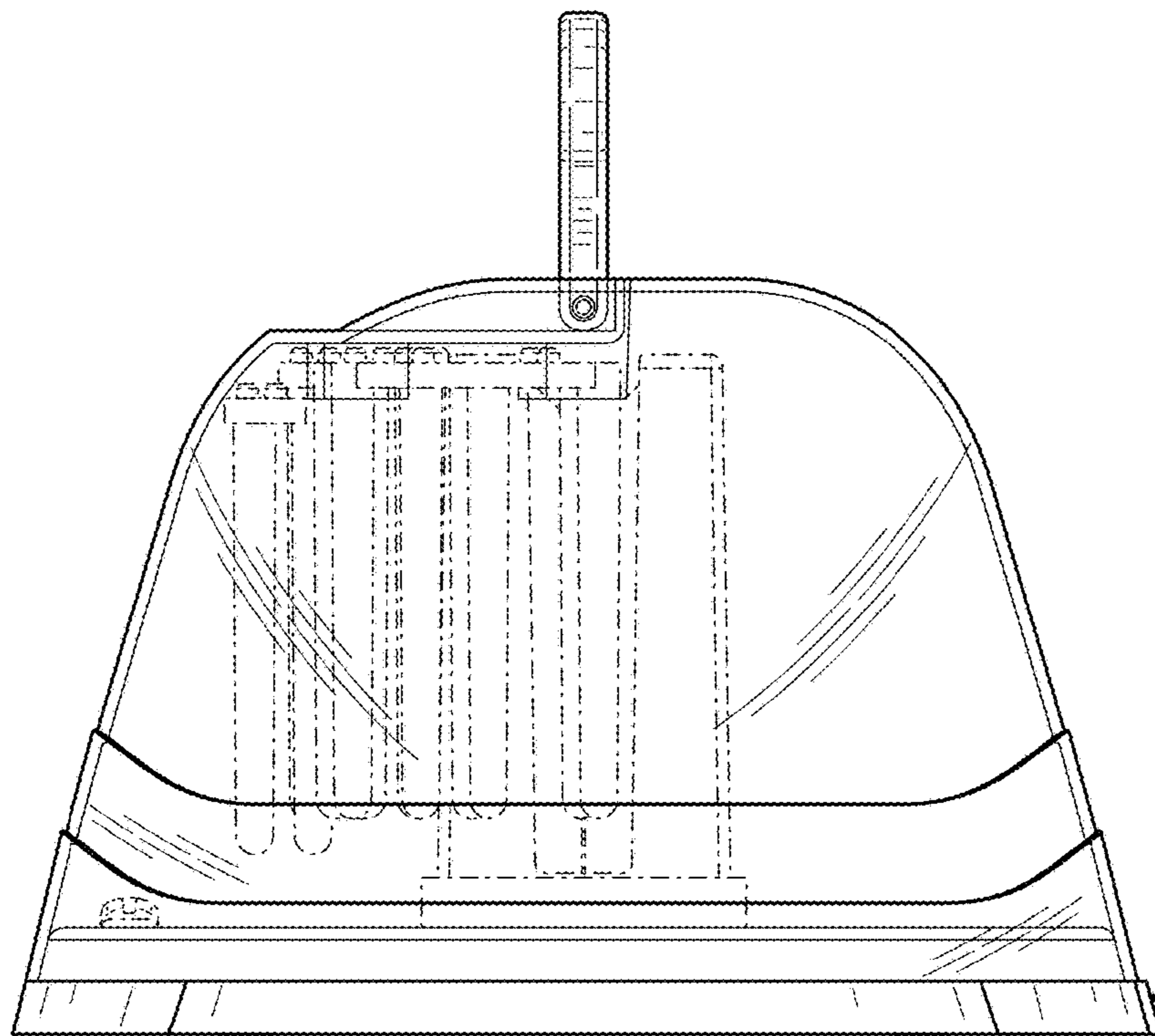


FIG. 5

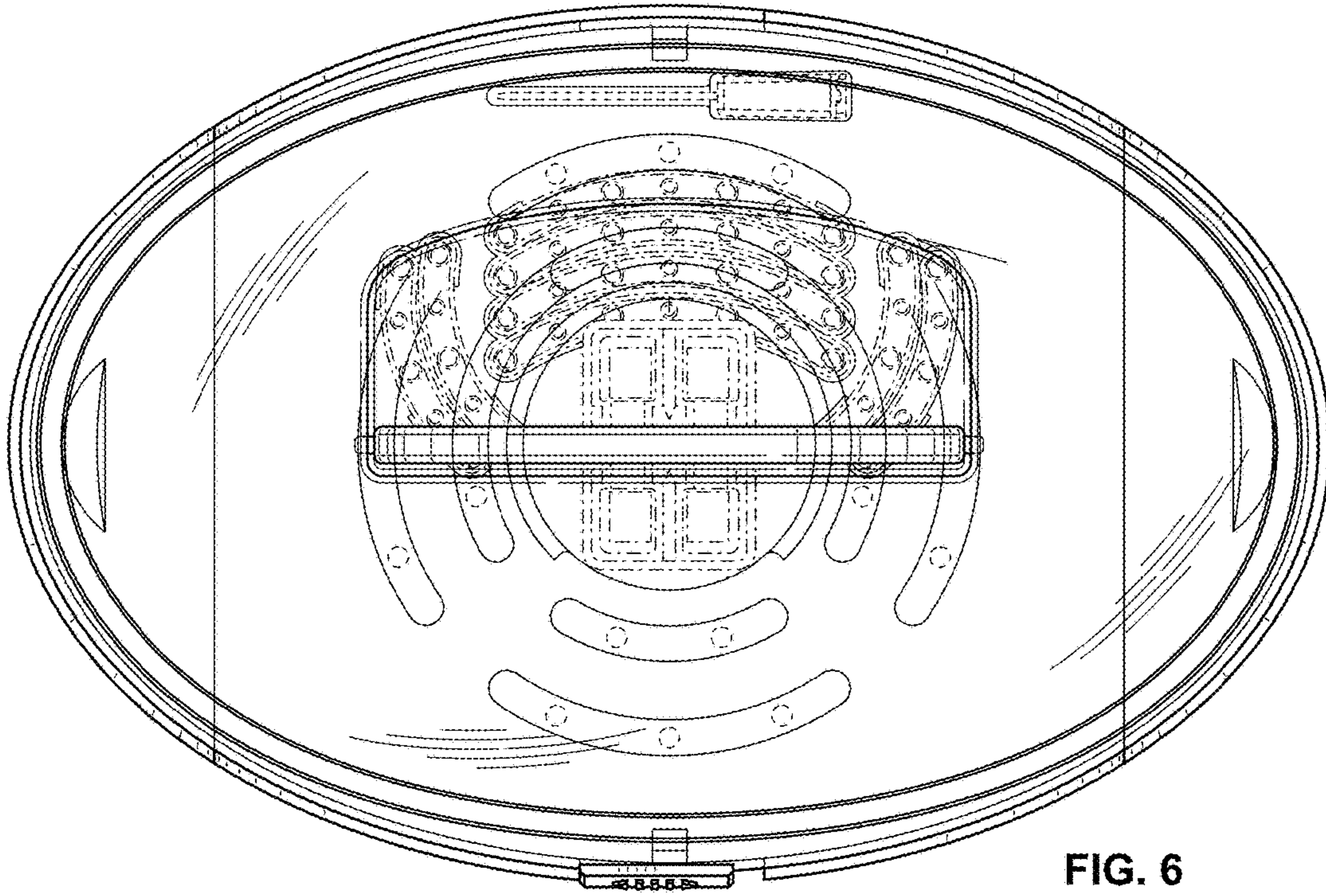


FIG. 6

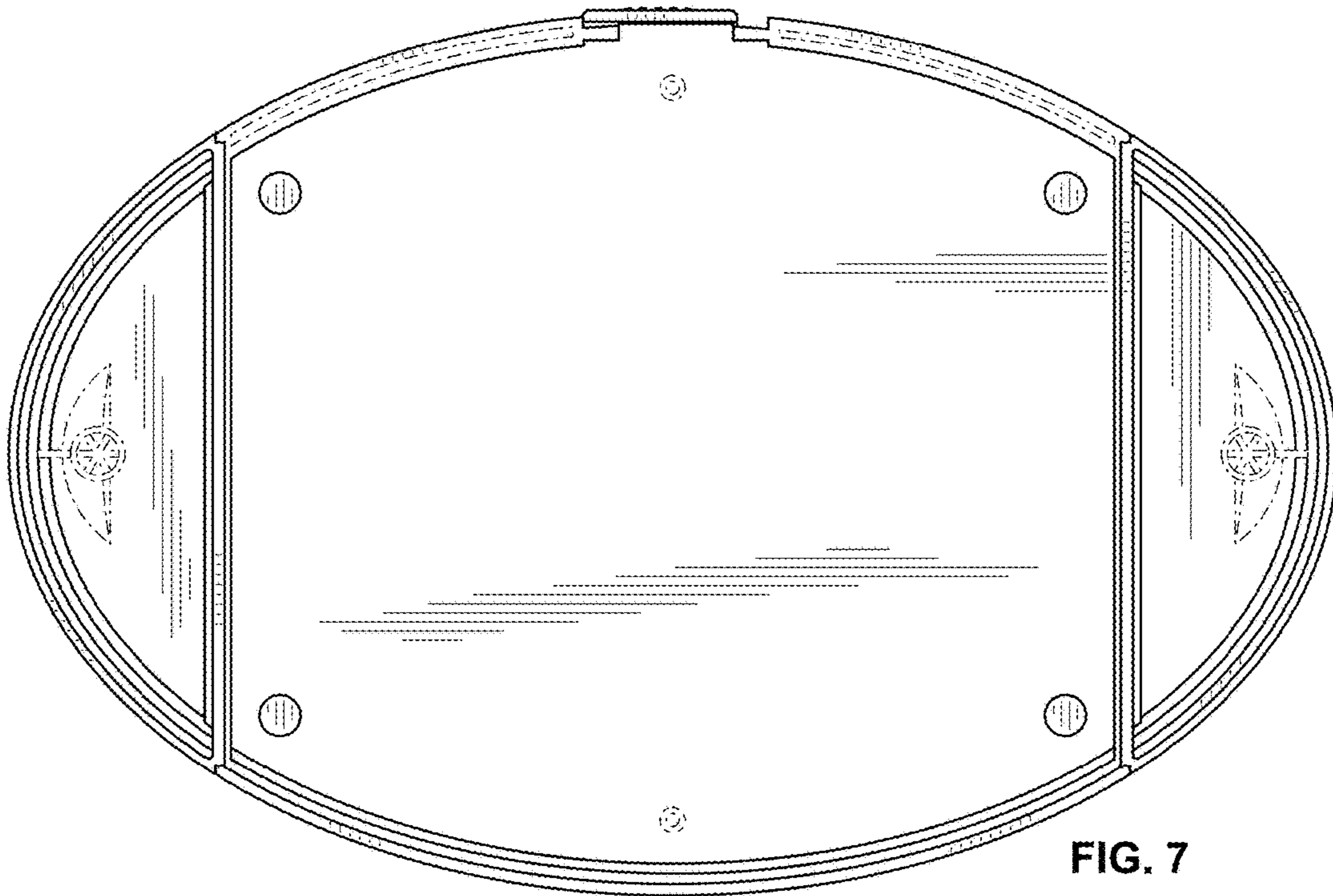


FIG. 7