



US00D841309S

(12) **United States Design Patent**
Pelletier

(10) **Patent No.:** **US D841,309 S**

(45) **Date of Patent:** **** Feb. 26, 2019**

- (54) **CUP HOLDER FOR CRUTCH**
- (71) Applicant: **Samuel J. Pelletier**, Fairfield (CA)
- (72) Inventor: **Samuel J. Pelletier**, Fairfield (CA)
- (**) Term: **15 Years**
- (21) Appl. No.: **29/609,203**
- (22) Filed: **Jun. 29, 2017**
- (51) **LOC (11) Cl.** **03-03**
- (52) **U.S. Cl.**
USPC **D3/10; D7/620**
- (58) **Field of Classification Search**
USPC D7/619.1-625, 701-708; D3/10
CPC A45B 3/00; A47G 23/0241; A47G 23/02;
A47G 23/0216; A47G 23/0225; A61H
3/02; A61H 3/0244; A61H 2003/002
See application file for complete search history.

- 5,190,257 A * 3/1993 Gradei B62J 11/00
248/231.71
- 5,647,519 A * 7/1997 Brennan A61H 3/02
135/66
- 5,803,327 A * 9/1998 Nipper A61H 3/02
135/66
- 5,806,817 A * 9/1998 Loud E06C 7/14
248/210
- 7,513,268 B2 4/2009 Doman
- 8,033,518 B2 10/2011 Schuchman
- 8,146,614 B2 * 4/2012 Ford A45B 3/00
135/66
- 2006/0091276 A1 5/2006 Ward

* cited by examiner

Primary Examiner — Terry A Wallace

(74) *Attorney, Agent, or Firm* — Cramer Patent & Design, PLLC; Aaron R. Cramer

(57) **CLAIM**

The ornamental design for a cup holder for a crutch, as shown and described.

DESCRIPTION

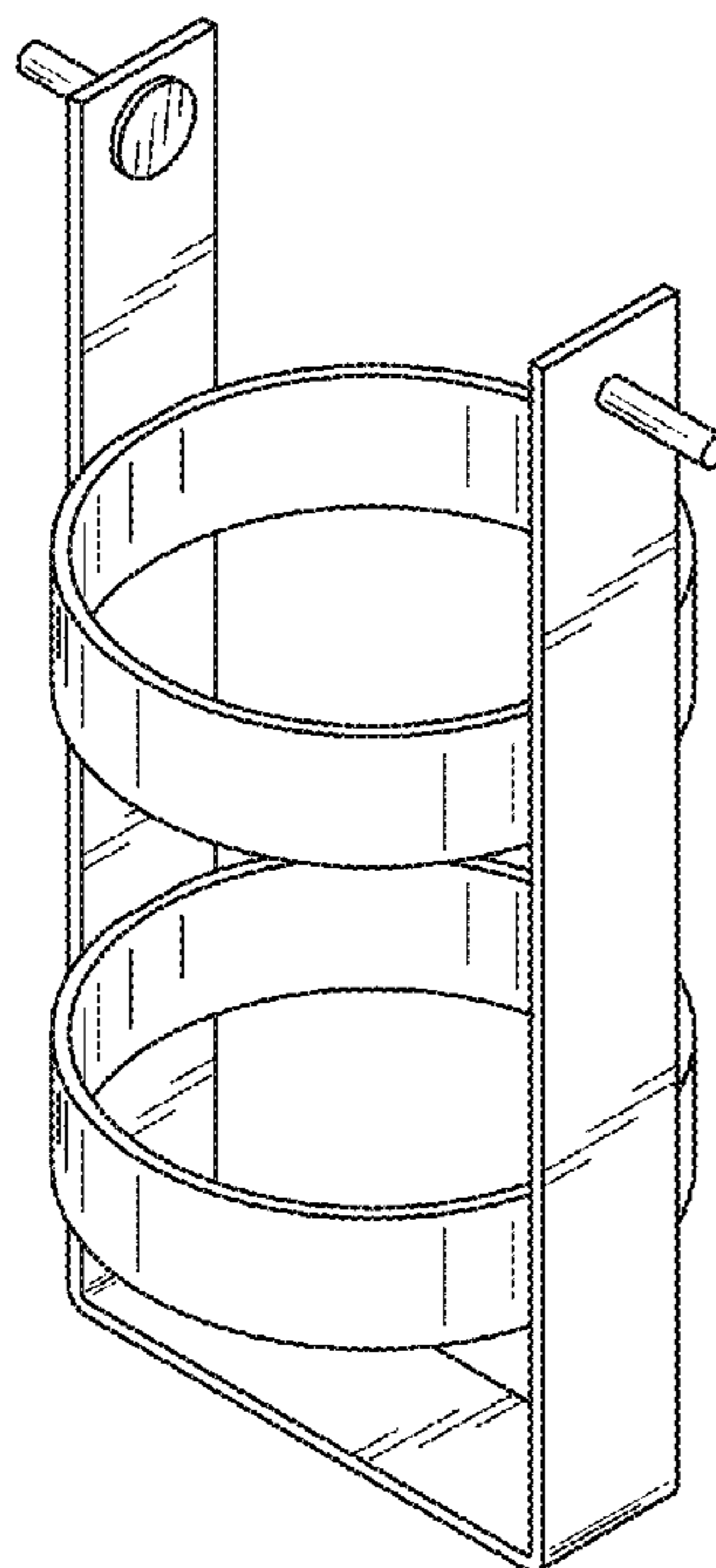
FIG. 1 is a perspective top front right view of a cup holder for a crutch, showing my new design; FIG. 2 is a front elevation view, with the rear elevation view being identical thereof; FIG. 3 is a left elevation view, with the right elevation view being identical thereof; FIG. 4 is a top plan view thereof; and, FIG. 5 is a bottom plan view thereof.

1 Claim, 4 Drawing Sheets

(56) **References Cited**

U.S. PATENT DOCUMENTS

- 1,530,256 A * 3/1925 Garland A47G 23/0216
220/738
- 3,184,201 A * 5/1965 Smith A47G 23/0225
131/241
- 3,734,439 A * 5/1973 Wintz A47G 23/0241
131/241
- 4,844,399 A * 7/1989 Harm A63B 55/60
248/311.2
- 5,101,845 A * 4/1992 Kravetz A45B 3/00
135/66



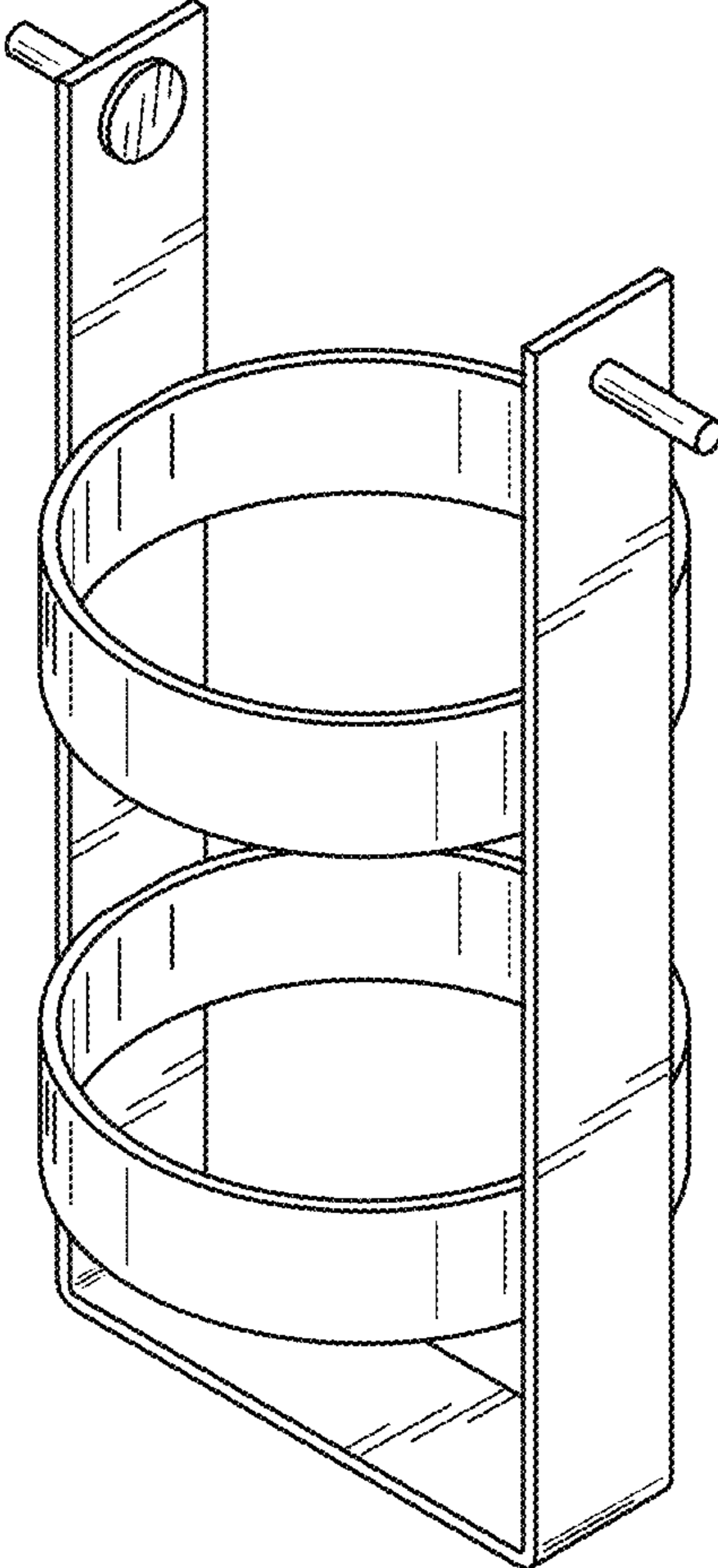


FIG. 1

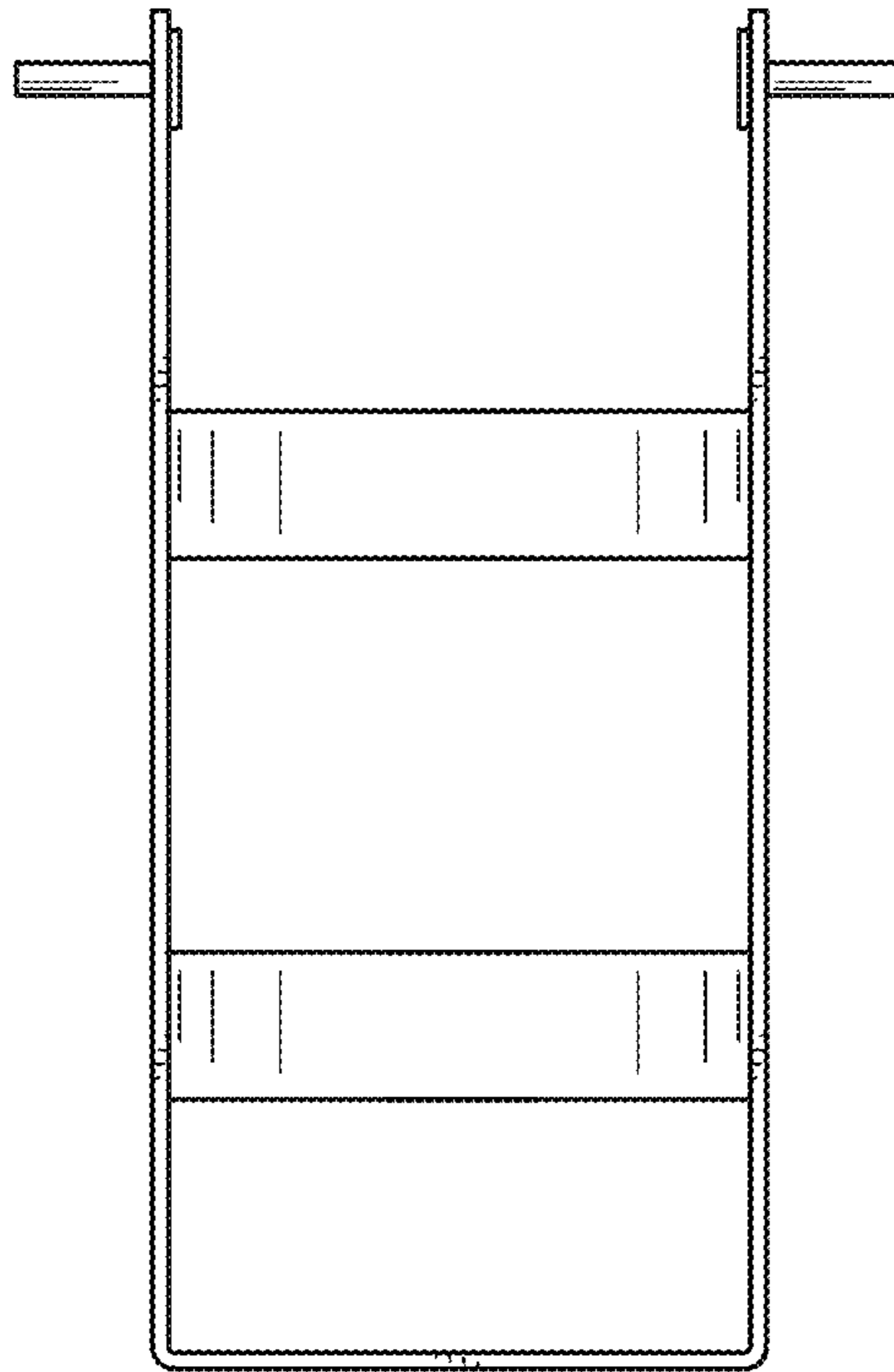


FIG. 2

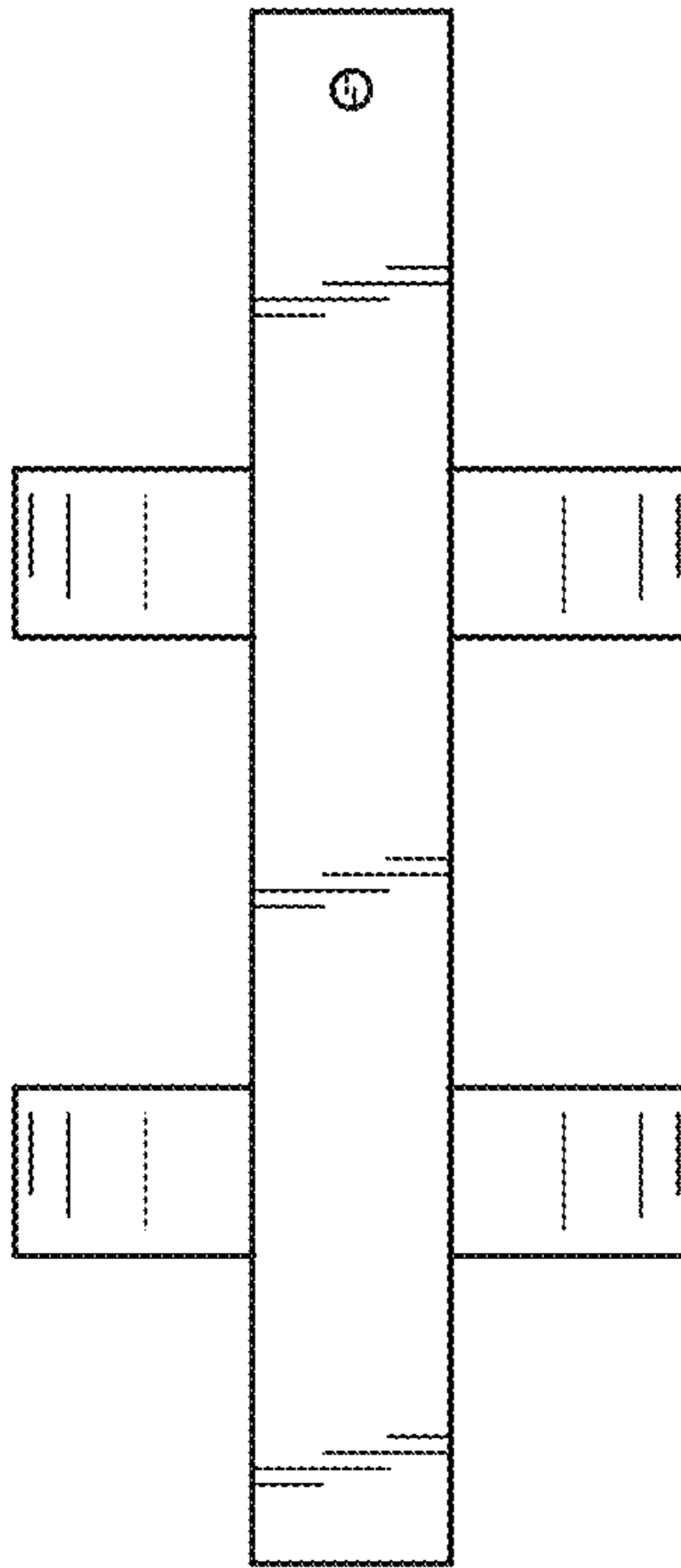


FIG. 3

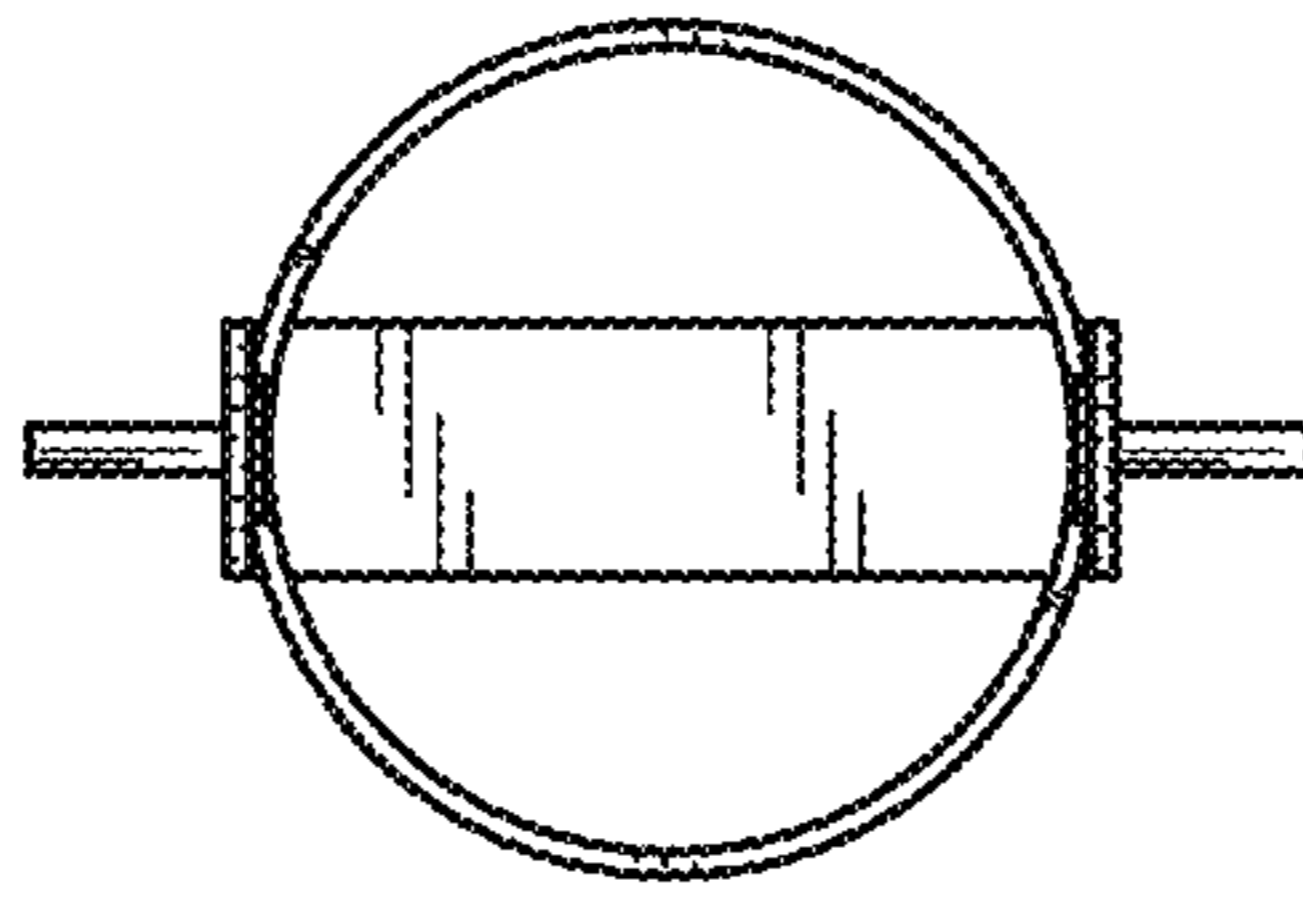


FIG. 4

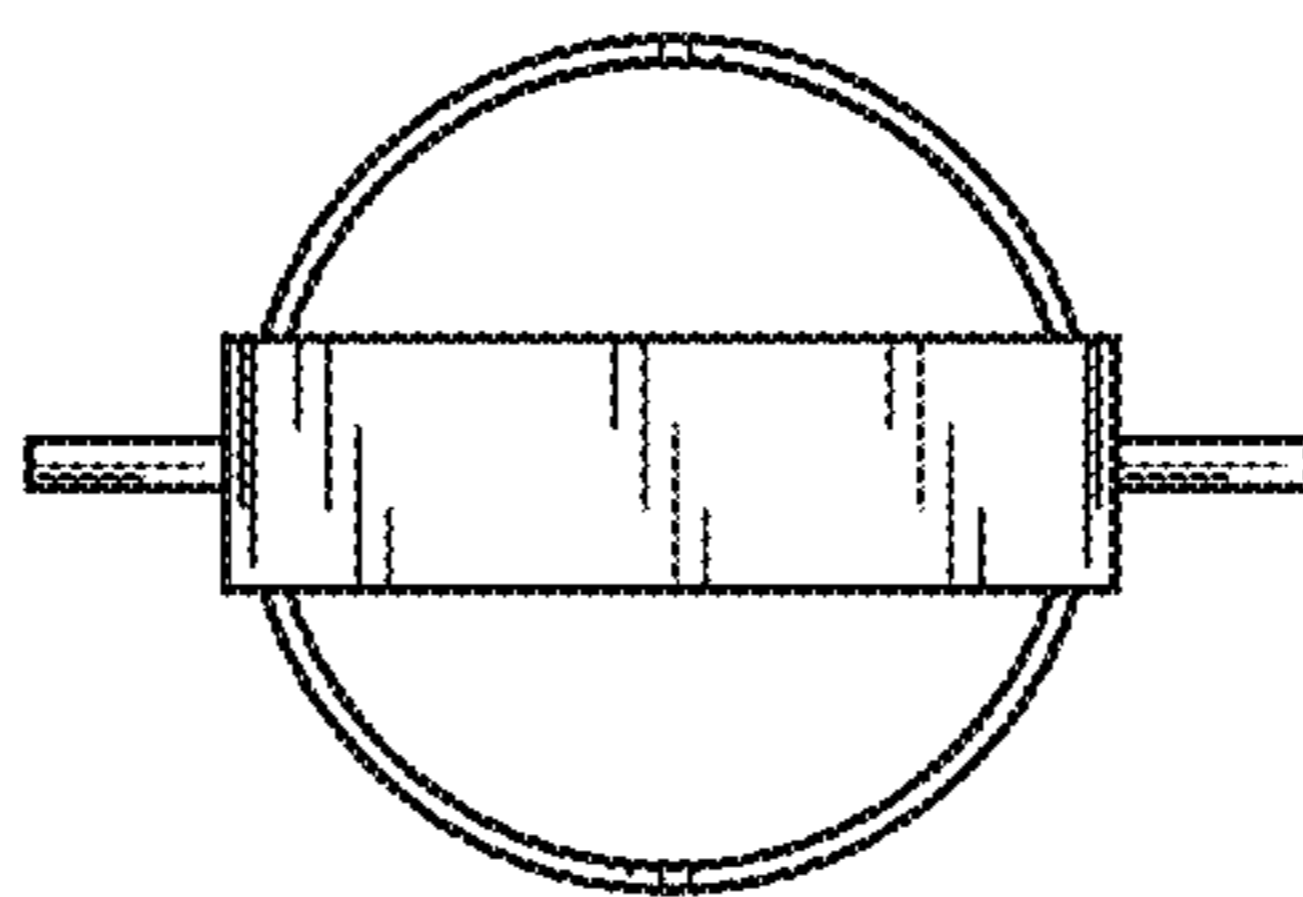


FIG. 5