



US00D841308S

(12) **United States Design Patent**  
**Wang**

(10) **Patent No.:** **US D841,308 S**

(45) **Date of Patent:** **\*\* Feb. 26, 2019**

- (54) **SHOE STRETCHER**
- (71) Applicant: **Junzheng Wang**, Shenzhen (CN)
- (72) Inventor: **Junzheng Wang**, Shenzhen (CN)
- (\*\*) Term: **15 Years**
- (21) Appl. No.: **29/622,732**
- (22) Filed: **Oct. 19, 2017**
- (51) **LOC (11) Cl.** ..... **07-99**
- (52) **U.S. Cl.**  
USPC ..... **D2/979**
- (58) **Field of Classification Search**  
USPC ..... D2/896, 946, 961, 979, 641, 642, 999  
CPC ..... A43D 3/14; A43D 3/1416; A43D 3/1425;  
A43D 3/1433; A43D 3/1441; A43D  
3/145; A43D 3/1458; A43D 3/1466;  
A43D 3/1475; A43D 3/1483; A43D  
3/1491; A43D 3/12; A43D 3/08  
See application file for complete search history.

- 2,376,926 A \* 5/1945 Loewer ..... A43D 3/1475  
12/116.2
- D143,922 S \* 2/1946 Le Savoy ..... 12/115.6
- D147,156 S \* 7/1947 Sturm ..... 12/117.4
- 2,446,904 A \* 8/1948 Brush ..... A43D 3/1408  
12/128 B
- 2,476,462 A \* 7/1949 Smith ..... A47L 23/18  
12/114.2
- D154,681 S \* 8/1949 Ironside et al. .... 12/116.8
- 2,879,527 A \* 3/1959 Davis ..... A43D 3/1466  
12/115.8
- 2,941,220 A \* 6/1960 Schick ..... A43D 3/1483  
12/115.6
- D192,680 S \* 5/1962 Williams ..... D2/979
- 3,068,502 A \* 12/1962 Williams ..... A43D 3/1441  
12/116.6
- 3,200,427 A \* 8/1965 Daley ..... A43D 3/1408  
12/128 R
- 3,206,780 A \* 9/1965 Cox ..... A43D 3/08  
12/116.2

(Continued)

*Primary Examiner* — Elizabeth J Oswecki  
(74) *Attorney, Agent, or Firm* — Li & Cai Intellectual  
Property (USA) Office

(56) **References Cited**

U.S. PATENT DOCUMENTS

- D43,076 S \* 9/1912 Woodbury ..... D2/979
- D104,251 S \* 4/1937 Gershune ..... 12/117.4
- 2,171,924 A \* 9/1939 Fissel ..... A43D 3/08  
12/117.4
- 2,226,565 A \* 12/1940 Kristal ..... A43D 3/1466  
12/115.6
- 2,269,006 A \* 1/1942 Clark ..... A43D 3/1408  
12/117.4
- 2,295,359 A \* 9/1942 Schiller ..... A43D 3/08  
12/117.4
- D134,628 S \* 12/1942 Mutch ..... 12/117.4
- D137,872 S \* 5/1944 Mutch ..... 12/117.4
- 2,361,531 A \* 10/1944 Clausing ..... A43D 3/1441  
12/116.6
- D140,806 S \* 4/1945 Berry ..... D2/642
- D141,265 S \* 5/1945 Miller ..... 132/75.6

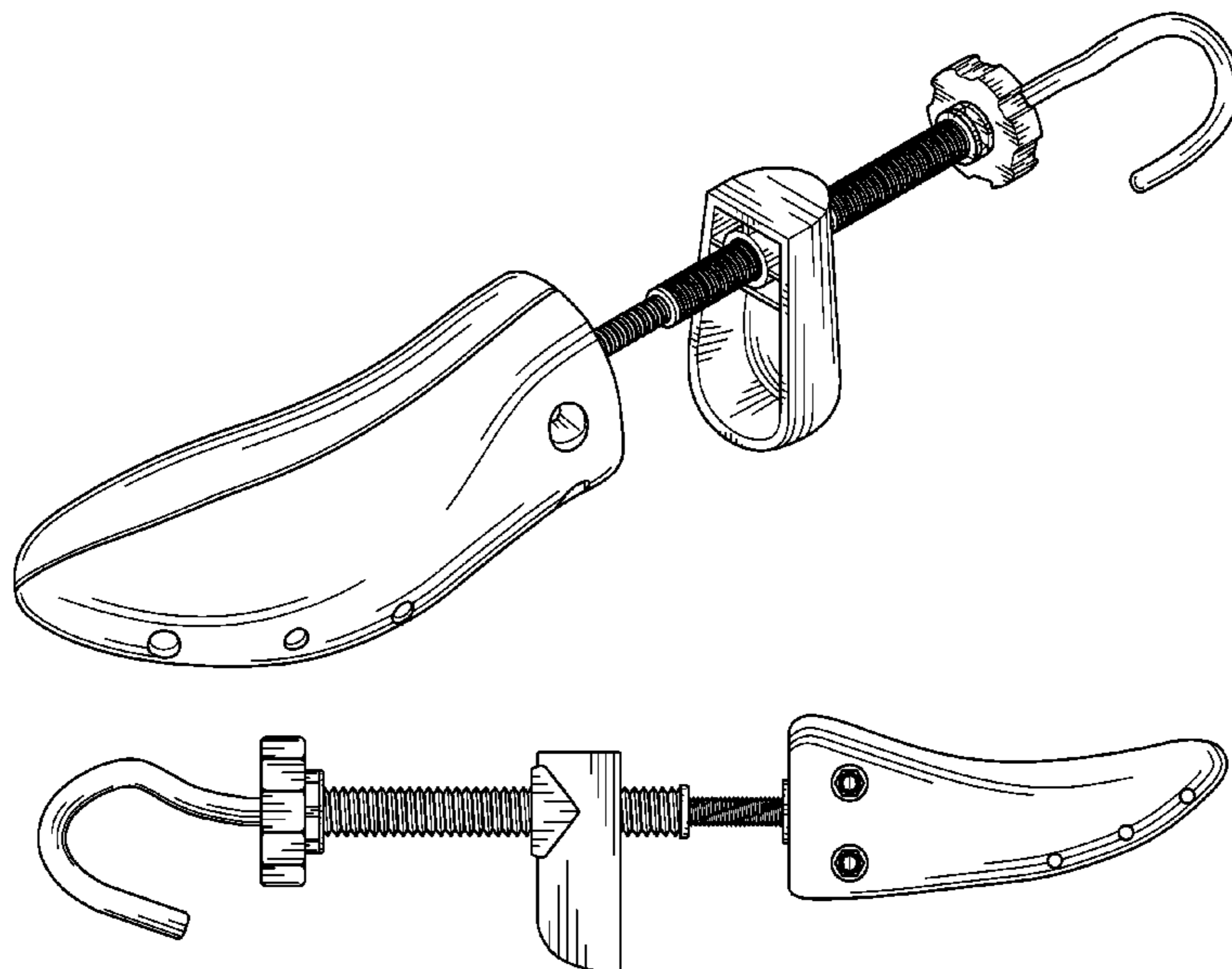
(57) **CLAIM**

The ornamental design for a shoe stretcher, as shown and described.

**DESCRIPTION**

FIG. 1 is a front perspective view of a shoe stretcher showing my new design;  
FIG. 2 is a front elevational view thereof;  
FIG. 3 is a rear elevational view thereof;  
FIG. 4 is a left side elevational view thereof;  
FIG. 5 is a right side elevational view thereof;  
FIG. 6 is a top plan view thereof;  
FIG. 7 is a bottom plan view thereof; and,  
FIG. 8 is a rear perspective view thereof.

**1 Claim, 7 Drawing Sheets**



(56)

References Cited

U.S. PATENT DOCUMENTS

3,239,860 A \* 3/1966 Iredale ..... A43D 3/1466  
 12/115.8  
 D204,448 S \* 4/1966 Johnson ..... 12/116.6  
 3,251,083 A \* 5/1966 Bay ..... A43D 3/1475  
 12/116.6  
 3,263,252 A \* 8/1966 Johnson ..... A43D 3/1475  
 12/116.6  
 D206,932 S \* 2/1967 Bellock ..... D2/979  
 3,435,475 A \* 4/1969 Bisk ..... A43D 3/1475  
 12/117.4  
 3,473,177 A \* 10/1969 Palson ..... A43D 3/1466  
 12/115.2  
 D233,267 S \* 10/1974 Smith ..... D2/979  
 D245,204 S \* 7/1977 Walter ..... D2/979  
 4,577,360 A \* 3/1986 Swenson ..... A43D 3/1466  
 12/114.2  
 D293,277 S \* 12/1987 Schmid ..... D2/979  
 4,718,135 A \* 1/1988 Colvin ..... A43D 3/1466  
 12/114.2  
 D331,828 S \* 12/1992 Issler ..... D2/979  
 D336,149 S \* 6/1993 Carmichael ..... D2/979  
 D338,323 S \* 8/1993 Bramble ..... D2/979  
 D399,046 S \* 10/1998 Schwartz ..... D2/979  
 5,978,996 A \* 11/1999 Ullman ..... A43D 3/1408  
 12/128 B  
 D418,670 S \* 1/2000 Wilcox ..... D2/979  
 D498,915 S \* 11/2004 Achcar ..... D2/979  
 D620,095 S \* 7/2010 Ullman ..... D2/979  
 D633,710 S \* 3/2011 Aldatz ..... D2/979

\* cited by examiner

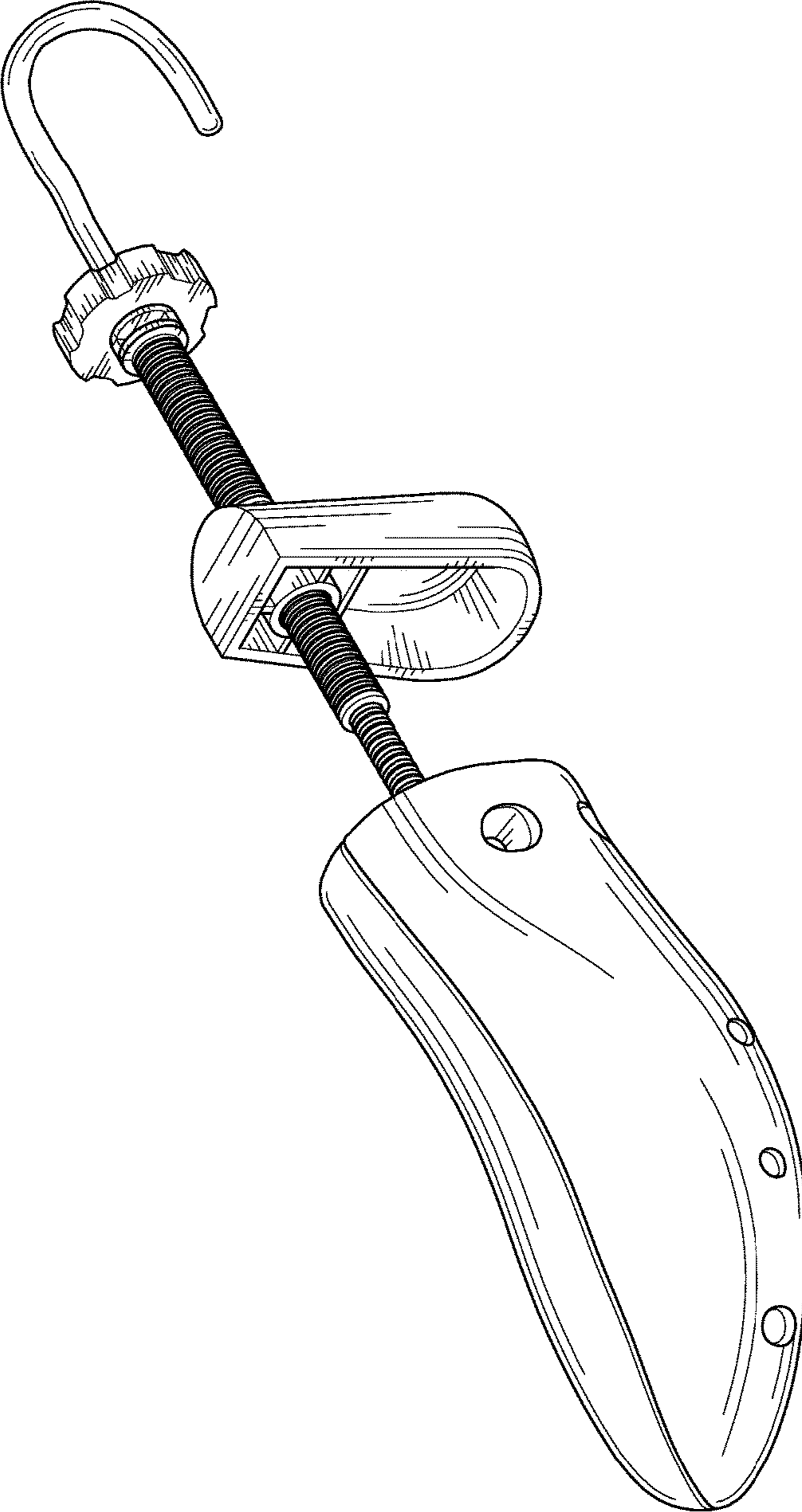


FIG. 1

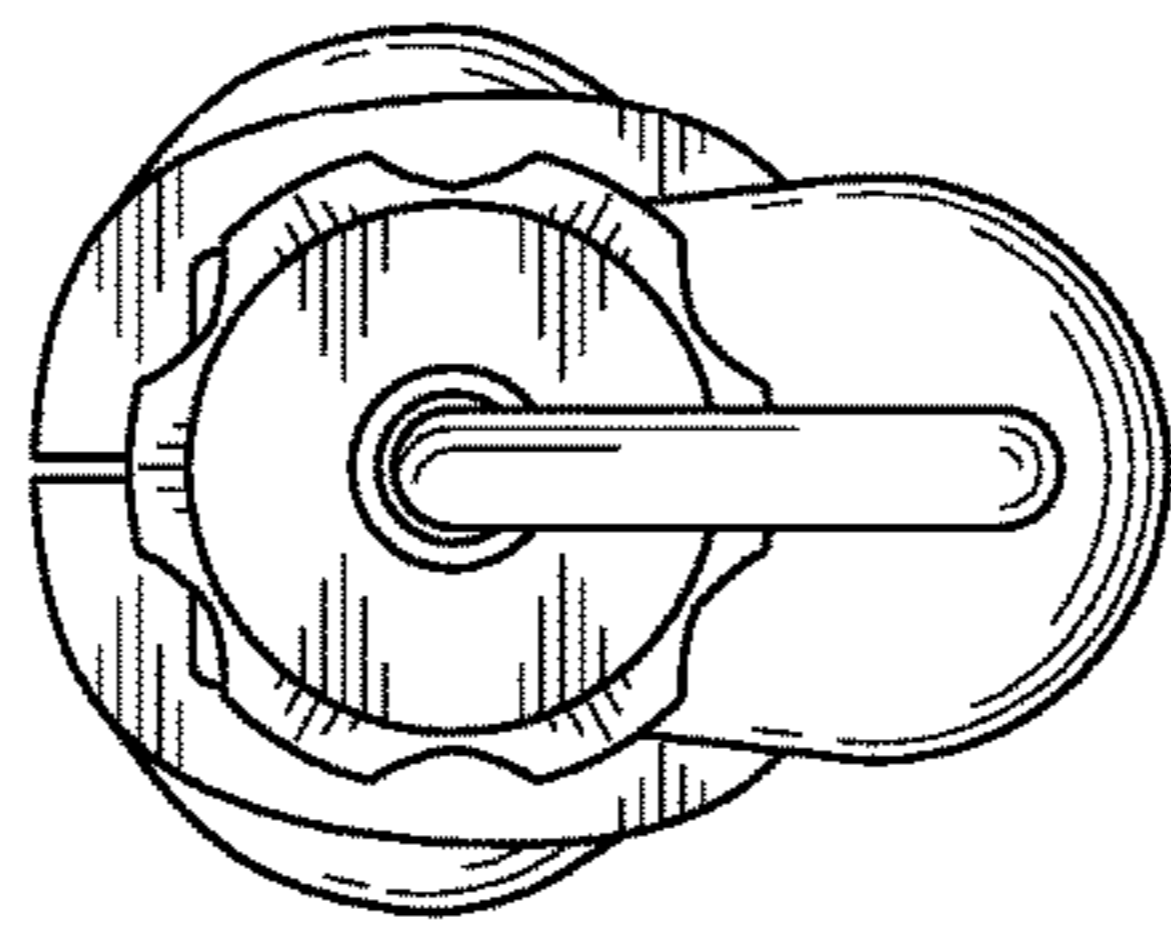


FIG. 3

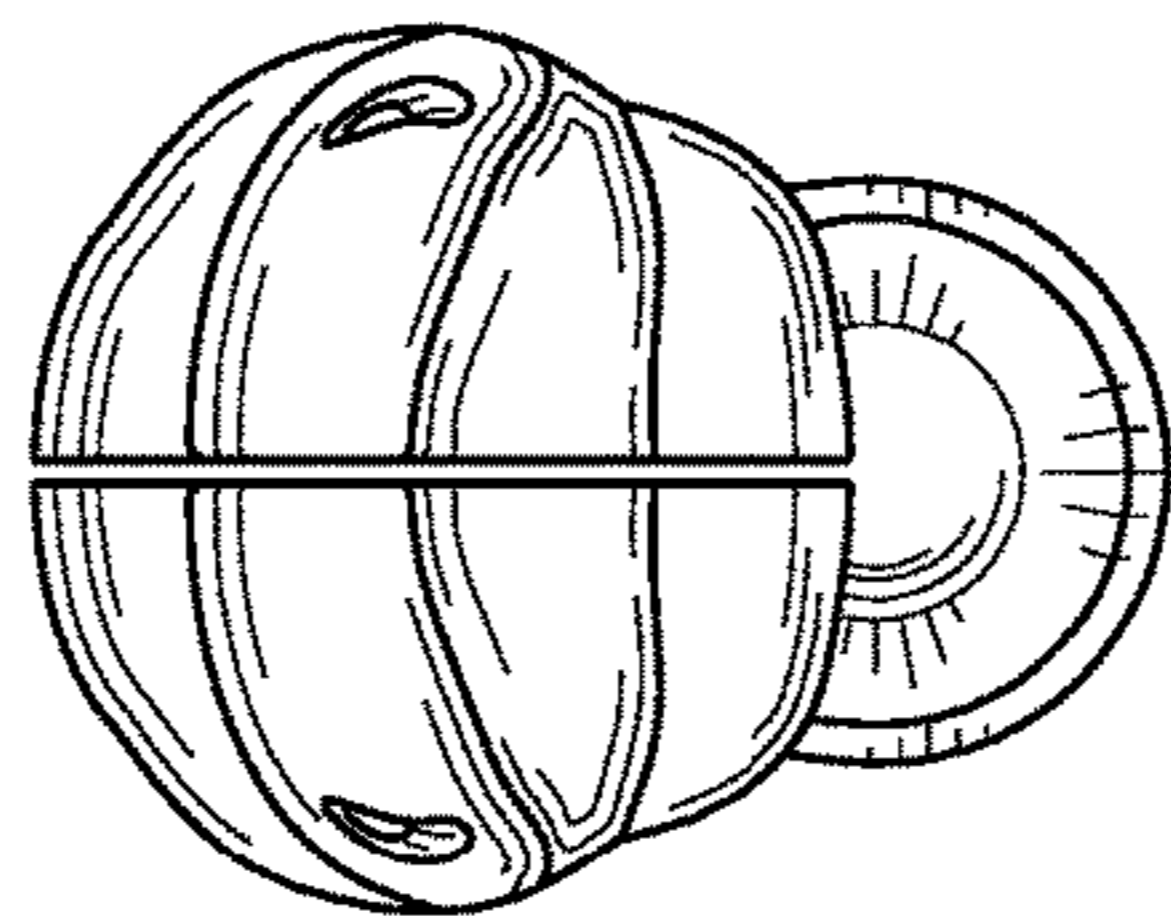


FIG. 2

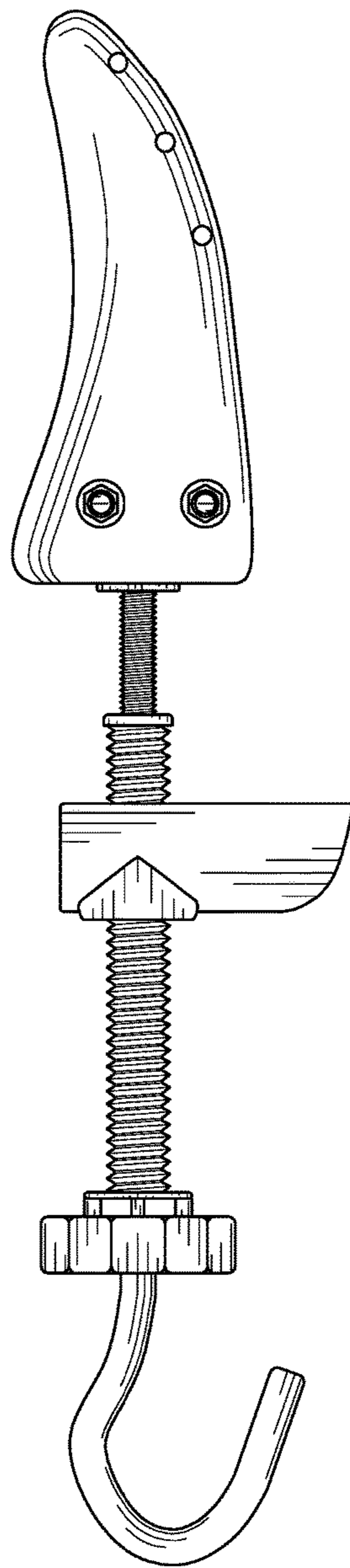


FIG. 4

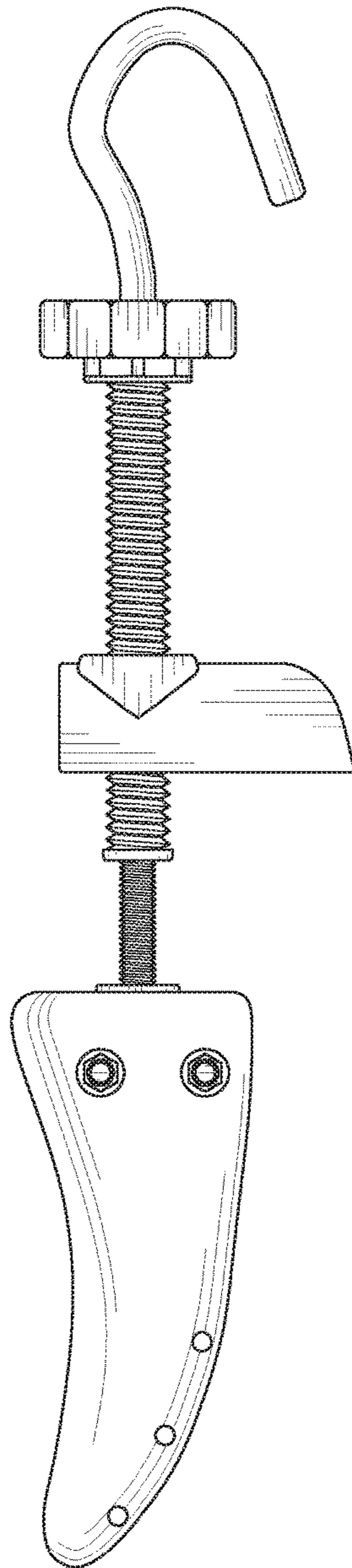


FIG. 5



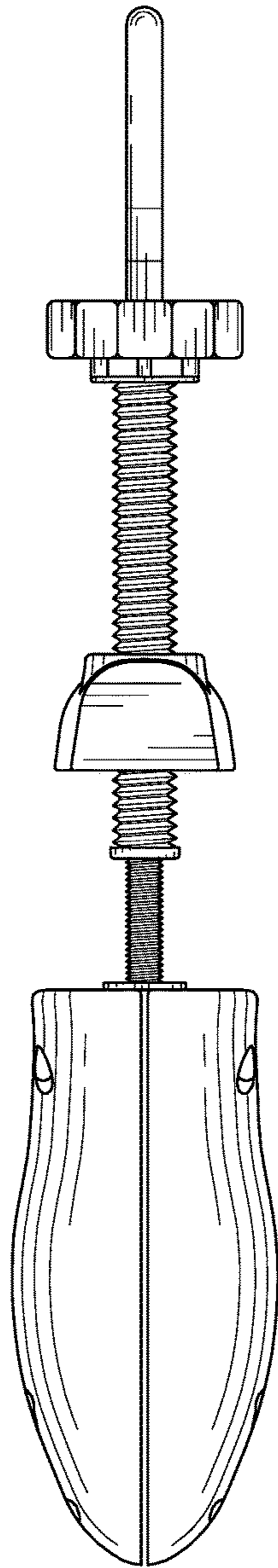


FIG. 6

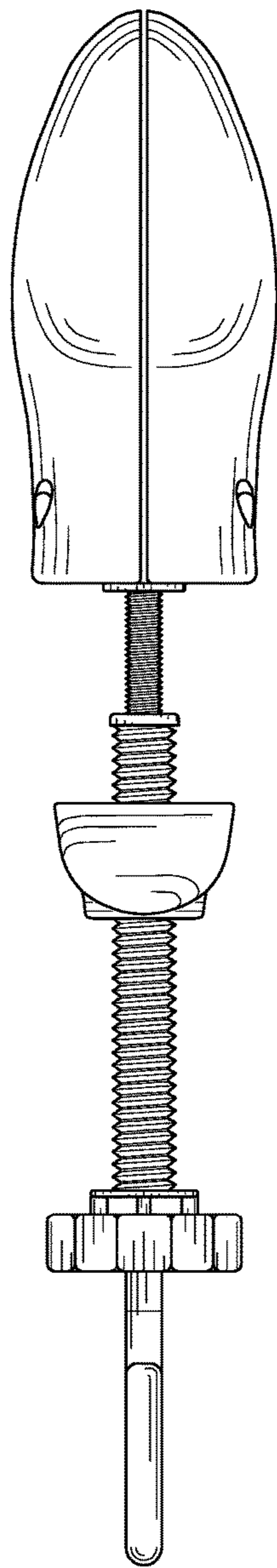


FIG. 7



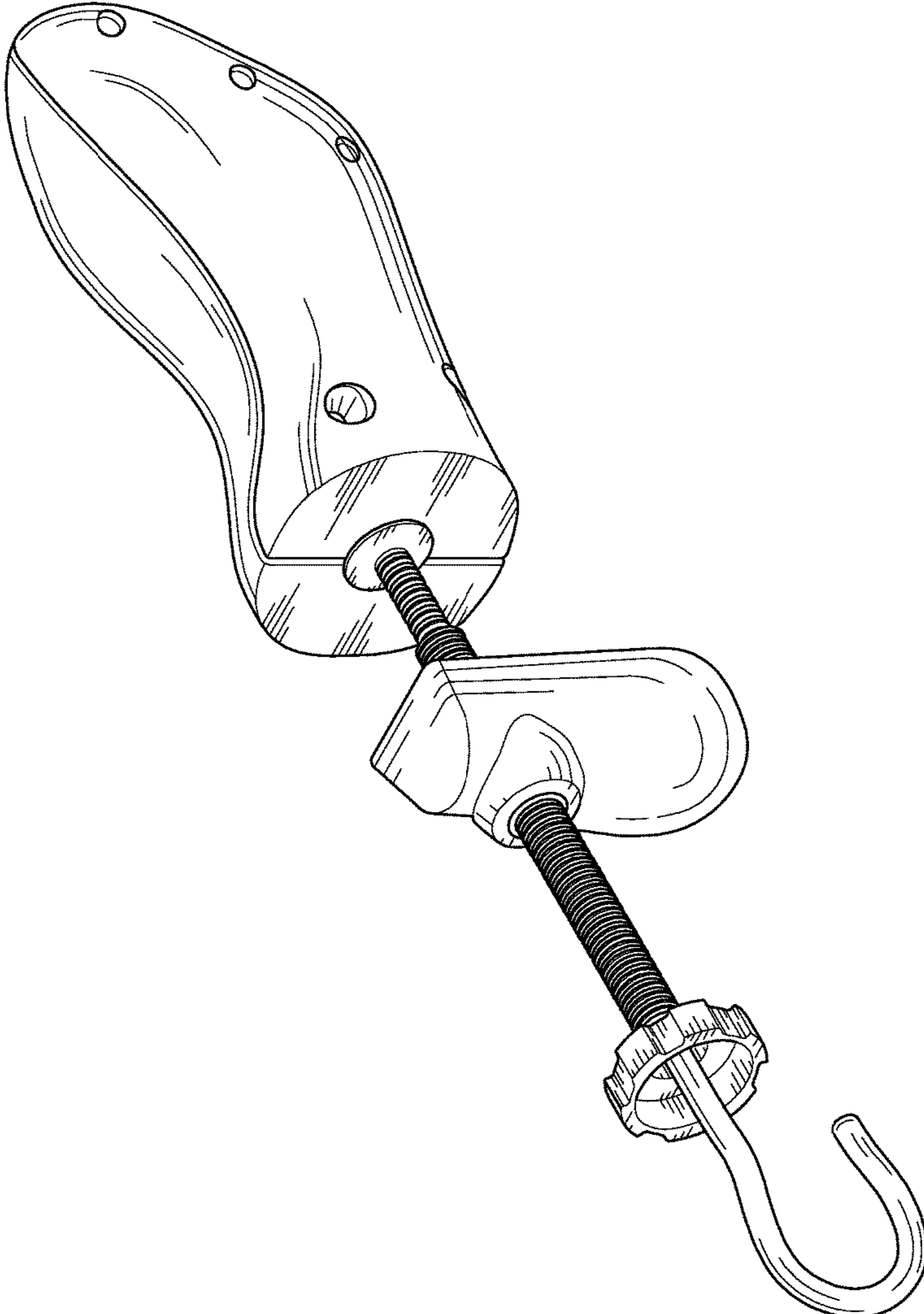


FIG. 8